

ME-8 Series

Enclosed Basic Switch

◆ Features

- ✓ Basic switch with Plastic cover and Zinc alloy bottom enclosure.
- ✓ Dust, water, and oil resistant
- ✓ Strain relief suitable for SJT18/4 18AWG cables
- ✓ Field adjustable actuator heads

◆ Recognition(s)

- ✓ CE – EN60947
- ✓ UL – UL-508
- ✓ CCC – GB14048.5-2008
- ✓ RoHS Compliant
- ✓ Reach Unaffected



◆ Characteristics

Positive Opening	Electrical Contact	Terminal Type	Contact Form(s)	Poles & Throws	Actuation Sequence(s)
------------------	--------------------	---------------	-----------------	----------------	-----------------------

No	4 Points	Screw	Form Z	SPDT-NC-NO	Double Break(1) Double Make(2)
----	----------	-------	--------	------------	-----------------------------------

Operating Temp.	AC Rated	DC Rated	IP	Oil Resist	Dust Resist	Water Resist	Operating Speed
-----------------	----------	----------	----	------------	-------------	--------------	-----------------

-15 to 70 Celsius	5A 250V	0.4A 115V	65	Yes	Yes	Yes	0.5mm to 50cm/sec
-------------------	---------	-----------	----	-----	-----	-----	-------------------

Operation Frequency	Contact Resistance	Insulation Resistance	Vibration
---------------------	--------------------	-----------------------	-----------

Mechanically: 120/min Electrically: 30/min	15mΩ max. (initial)	100MΩ min. (500VDC)	1.5mm amplitude at 10-55Hz
---	---------------------	---------------------	----------------------------

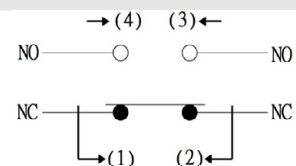
Storage Humidity	Service Life (min.)	Dielectric Strength
------------------	---------------------	---------------------

85% RH max	Mechanically: 10,000,000 operations Electrically: 300,000 operations	1000VAC, 50/60Hz for 1 minute between non-continuous terminals
------------	---	--

Recommended tightening forces

Purpose	Screw type	Tightening
Mounting	M4	1.18~1.37 N·m
Enclosure cover		0.44±0.05 N·m
Screw terminal		0.25±0.05 N·m

Circuitry



◆ Materials

Actuation touch part	Electrical contact point	Enclosure
Nylon, or Stainless Steel, or Teflon	Silver 99.9%	Plastic top with Zinc alloy bottom

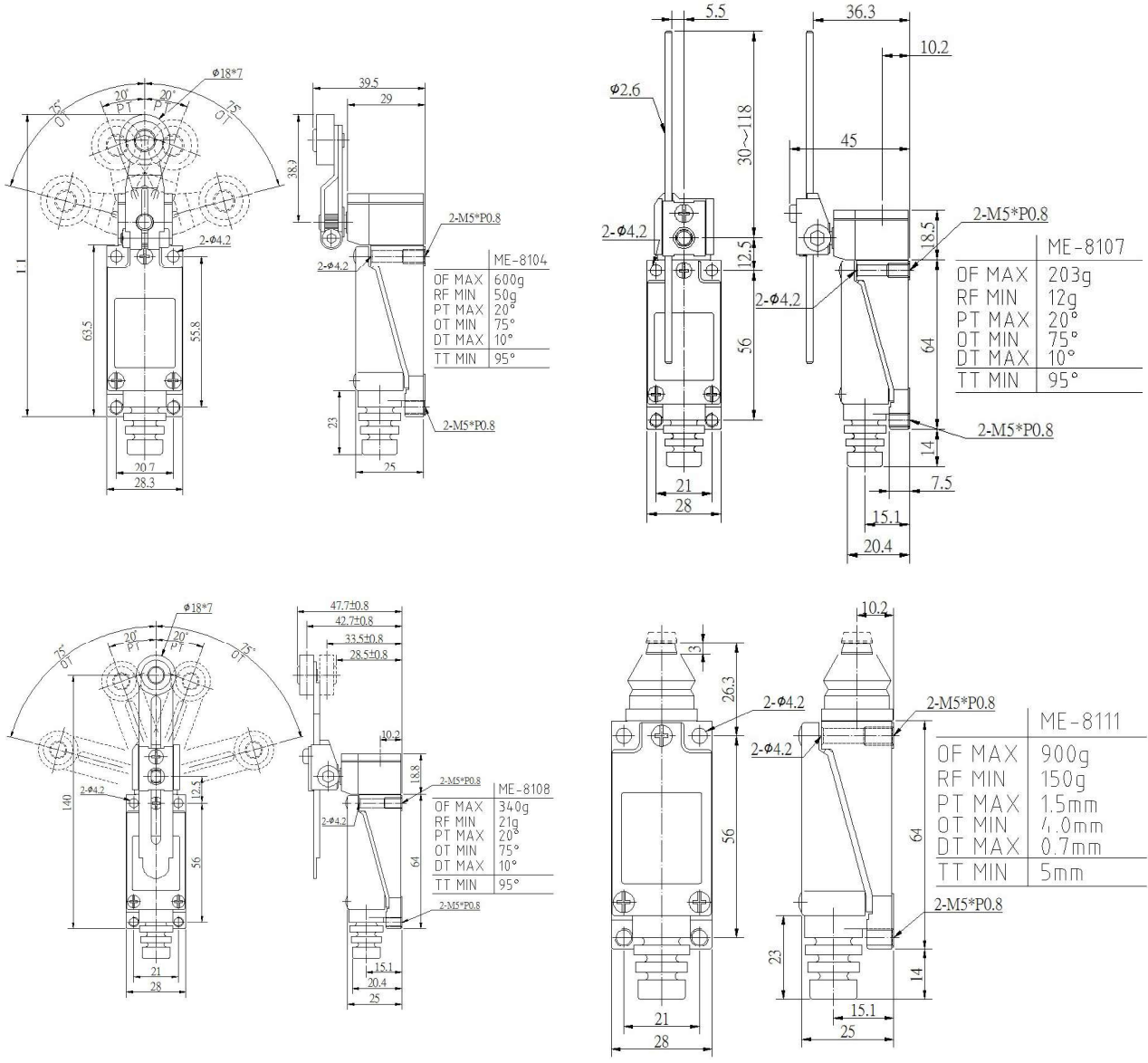
◆ Nomenclature

Series:	Actuator (and material):
ME –	8104

- 8104 = Side rotary, nylon roller
- 8104-L = Side rotary, ø50mm rubber roller
- 8104-M = Side rotary, metallic roller
- 8107 = Side rotary, adjustable metallic rod
- 8108 = Side rotary, adjustable nylon roller
- 8108-L = Side rotary, adjustable ø50mm rubber roller
- 8108-M = Side rotary, adjustable metallic roller
- 8111 = Metallic plunger
- 8112 = Metallic roller plunger
- 8112-P = Nylon roller plunger
- 8112-PT = Teflon roller plunger
- 8122 = Cross metallic roller plunger
- 8122-P = Cross nylon roller plunger
- 8122-PT = Cross Teflon roller plunger
- 8166 = Metallic spring coil with nylon tip
- 8169 = Metallic spring coil with wire tip
- 9101 = Metallic spring coil
- 9101-HI = Metallic spring coil with solid stainless-steel tip

◆ Dimensions & Operating Characteristics

*Measurements in millimeters



ME-8104



ME-8107

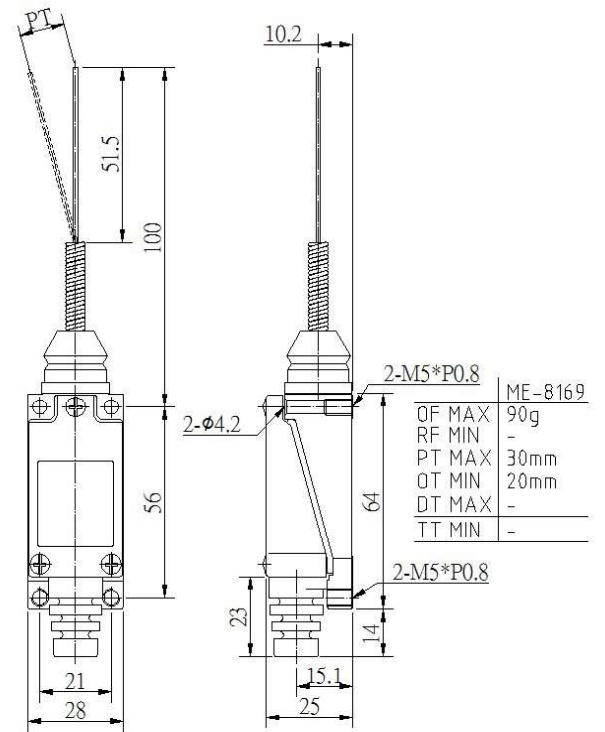
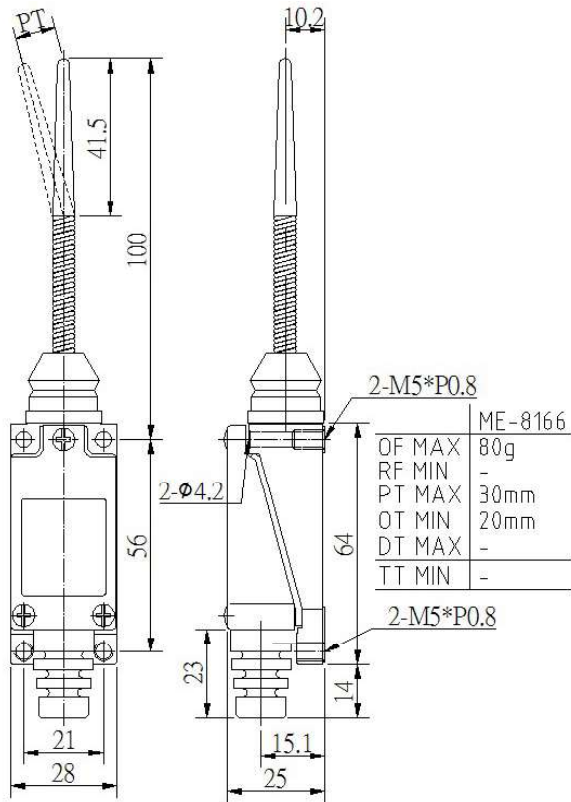
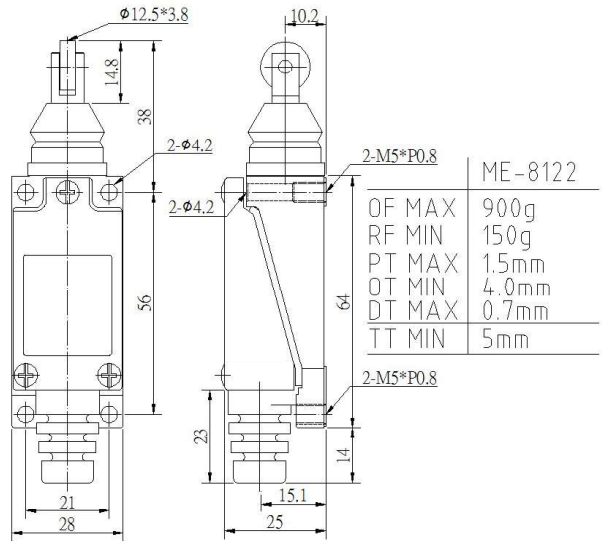
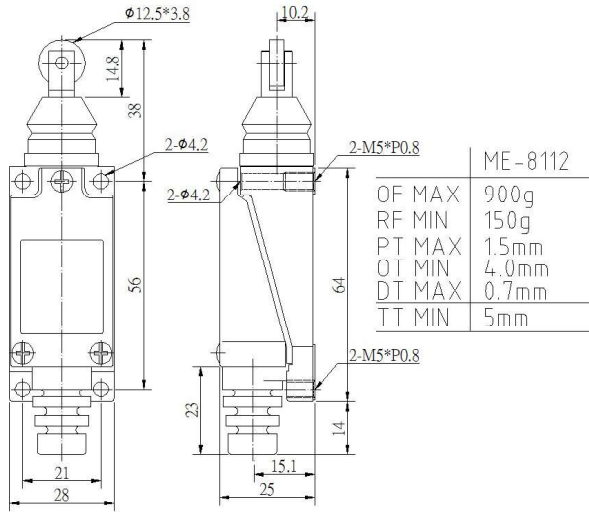


ME-8108



ME-8111

ME-8



ME-8

