

SIAC-PS 3G SIGNAL ISOLATOR WITH POWER SUPPLY (PART NO. 8890)

INSTALLATION INSTRUCTIONS



- SIAC-PS 3G SIGNAL ISOLATOR WITH POWER SUPPLY IS DESIGNED TO BE USED WITH KBAC 3G SERIES DRIVES ONLY •
- KBAC 3G SERIES MODELS CONTAIN THE "(3G)" DESIGNATOR ON THE PRODUCT LABEL (EXAMPLE: KBAC-24D (3G)) •

Kit Includes: SIAC-PS 3G, Installation Instructions, Interconnecting Ribbon Cable, and a Snap-In Mounting Base.

1 DESCRIPTION

The SIAC-PS 3G Signal Isolator with Power Supply (hereinafter referred to as "Signal Isolator") provides an isolated interface between non-isolated signal sources and the drive. It is used with the KBAC 3G Series Drives to isolate, amplify, and condition DC voltage and current signals from any source (tach-generators, transducers, PLCs, and potentiometers). It provides an isolated input to control motor direction, an isolated 5 Volt DC power supply for potentiometer operation, and an isolated 24 Volt DC power supply to power transducers or auxiliary equipment. All input connections and power supplies are isolated from the AC line and motor wiring. It installs easily into the drive with a snap-in mounting base and is wired with a connector.

Main features include voltage or current signal inputs. Other features include power on (PWR) and status indicator (IND) LEDs, barrier terminal blocks to facilitate wiring, multi-turn trimpots (SCALE, OFFSET), a jumper for voltage or current signal input selection (VOLT, CUR), and a jumper for signal input type selection (PWM, AN). An optional accessory, for use with the Signal Isolator, is the Auto/Manual Switch (Part No. 8891), which selects a signal input from either the Signal Isolator or the Main Speed Potentiometer of the drive.

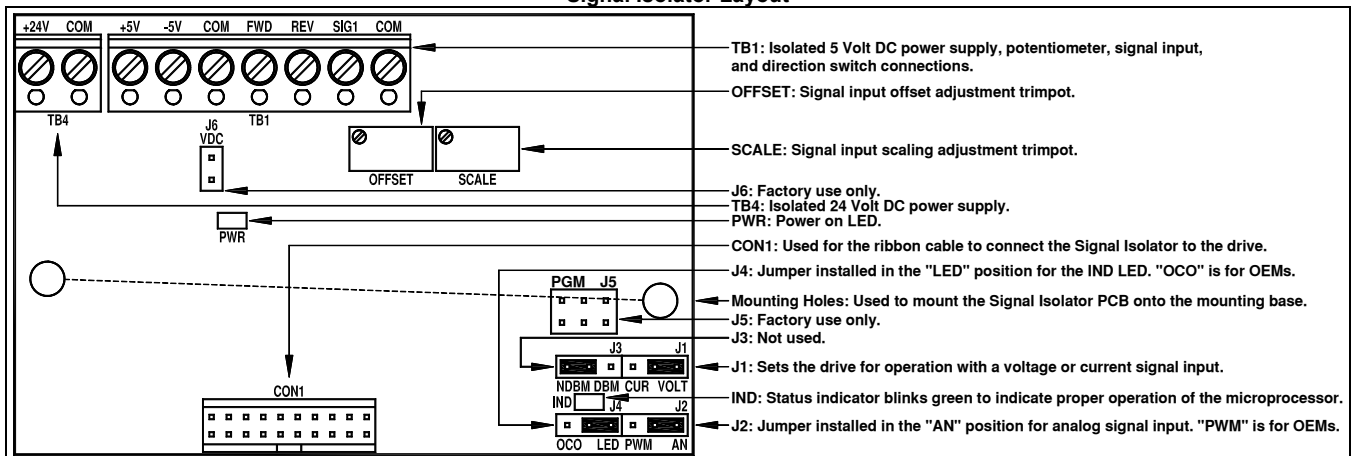
2 FEATURES

- **Isolated Switching:** Provides isolation for PLC open collector or contact switching.
- **Isolated 5 Volt DC Power Supply:** Used for Main Speed Potentiometer operation.
- **Isolated 24 Volt DC Power Supply:** Used to power a transducer or auxiliary equipment.
- **Trimpot Adjustments (Multi-Turn):** Signal Scaling (SCALE) and Signal Offset (OFFSET).
- **Power On LED:** Provides indication that power is applied.
- **IND LED:** Blinks green to provide indication that the microprocessor is functioning properly.
- **Jumper J1 (Signal Input Selection):** Selects voltage (VOLT) or current (CUR) signal inputs.
- **Jumper J2 (Signal Type Selection):** Installed in the "AN" position for analog signal input. "PWM" is for OEMs.
- **Jumpers J3:** Not used.
- **Jumpers J4:** Installed in the "LED" position for the IND LED. "OCO" is for OEMs.
- **Easy Installation:** A snap-in Mounting Base and Interconnecting Ribbon Cable are provided for easy installation into the drive.
- **Optional Accessory:** Auto/Manual Switch (Part No. 8891) selects a signal input from either the Signal Isolator or the Main Speed Potentiometer of the drive. See Section 7 on page 6.

TABLE 1
General Performance Specifications

Parameter	Specifications	Factory Setting
Signal Scaling Trimpot (SCALE) Input Voltage Range (Volts DC)	0 to 2.5 thru 0 to 25	0 to 5
Signal Offset Trimpot (OFFSET) Range (% of SCALE Trimpot Setting)	0 – ±40	0
Input Current Range (mA DC)	4 – 20	—
Forward and Reverse Input Switch Types	Dry Contact or Open Collector	—
5 Volt DC Power Supply Maximum Load Current Rating (mA DC)	25	—
24 Volt DC Power Supply Maximum Load Current Rating (mA DC)	50	—
Potentiometer Operation (kΩ)	5	—
Input/Output Linearity (%)	0.1	—
Thermal Drift (millivolts per °C)	0.4	—
Operating Temperature Range (°C / °F)	0 – 40 / 32 – 104	—
Operating Humidity Range (% Relative, Non-Condensing)	0 – 95	—
Storage Temperature (°C / °F)	-25 – +85 / -13 – +185	—

FIGURE 1
Signal Isolator Layout



SIAC-PS 3G SIGNAL ISOLATOR WITH POWER SUPPLY (PART NO. 8890) INSTALLATION INSTRUCTIONS

3 INSTALLATION INSTRUCTIONS

The Signal Isolator installs into the drive with the snap-in mounting base. Figure 6 on page 3 shows the drive prior to installing the Signal Isolator and the proper orientation of the Signal Isolator and the Ribbon Cable. See the Interconnecting Ribbon Cable in Figure 3.

Note: Do not install the Signal Isolator with Mounting Base into the drive until the Ribbon Cable is installed and tucked under the Mounting Base.

3.1 Install the Signal Isolator onto the Mounting Base, as shown in Figure 2. Align the Signal Isolator over the two PCB supports (see Figure 7 on page 3) and gently press the Signal Isolator onto the Mounting Base until the PCB is secured into place.

3.2 Install the end of the Ribbon Cable labelled "Signal Isolator" onto CON1 of the Signal Isolator. Orient the Ribbon Cable key as shown in Figure 4.

3.3 Install the end of the Ribbon Cable labelled "AC Drive" onto CON1 of the drive. Orient the Ribbon Cable key as shown in Figure 5.

3.4 The Ribbon Cable must be tucked under the Mounting Base. Align the four snap-ins, at the bottom ends of the Mounting Base support posts, with the four holes located on the drive's PCB. Firmly push on the corners of the Mounting Base until all four snap-ins are secured into place. See Figures 6 and 7 on page 3.

FIGURE 2
Mounting Base

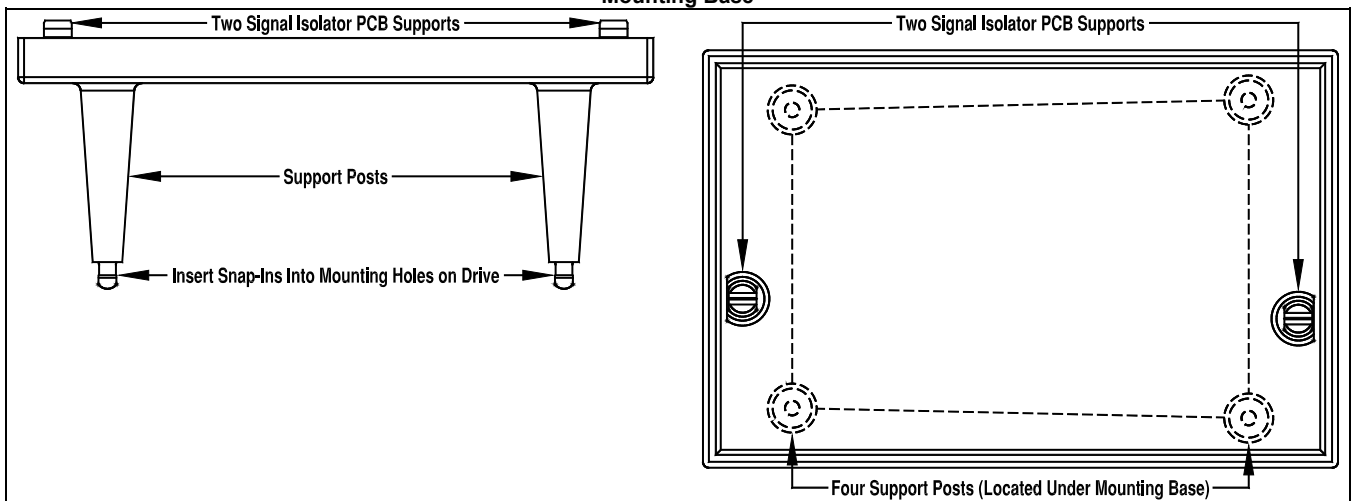


FIGURE 3
Interconnecting Ribbon Cable

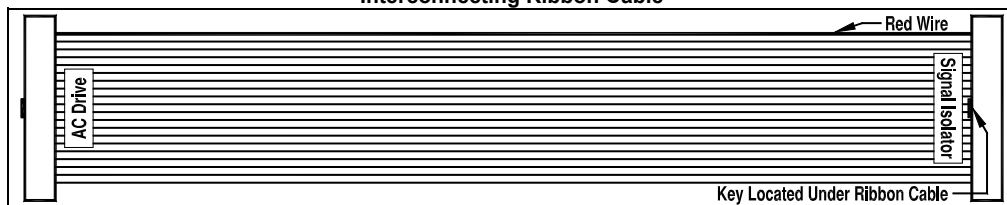


FIGURE 4
Mating the Ribbon Cable to CON1 on the Signal Isolator

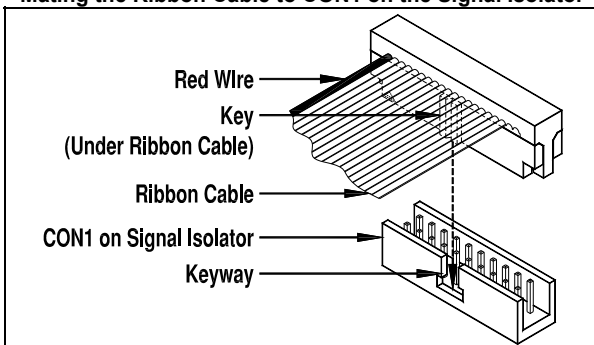
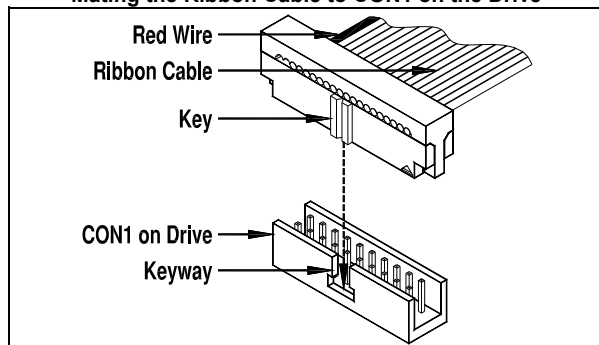


FIGURE 5
Mating the Ribbon Cable to CON1 on the Drive



SIAC-PS 3G SIGNAL ISOLATOR WITH POWER SUPPLY (PART NO. 8890) INSTALLATION INSTRUCTIONS

FIGURE 6
Drive Prior to Installing the Signal Isolator (Layout of Drive May Vary)

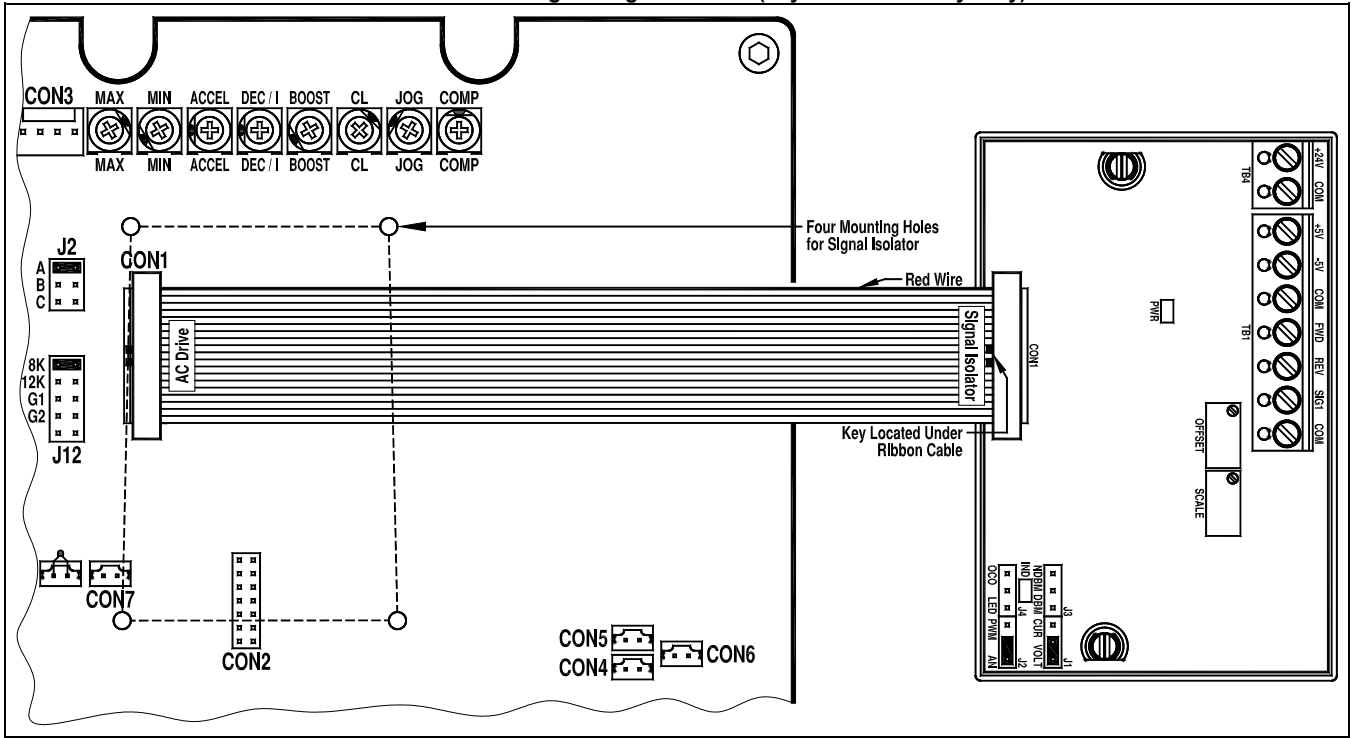
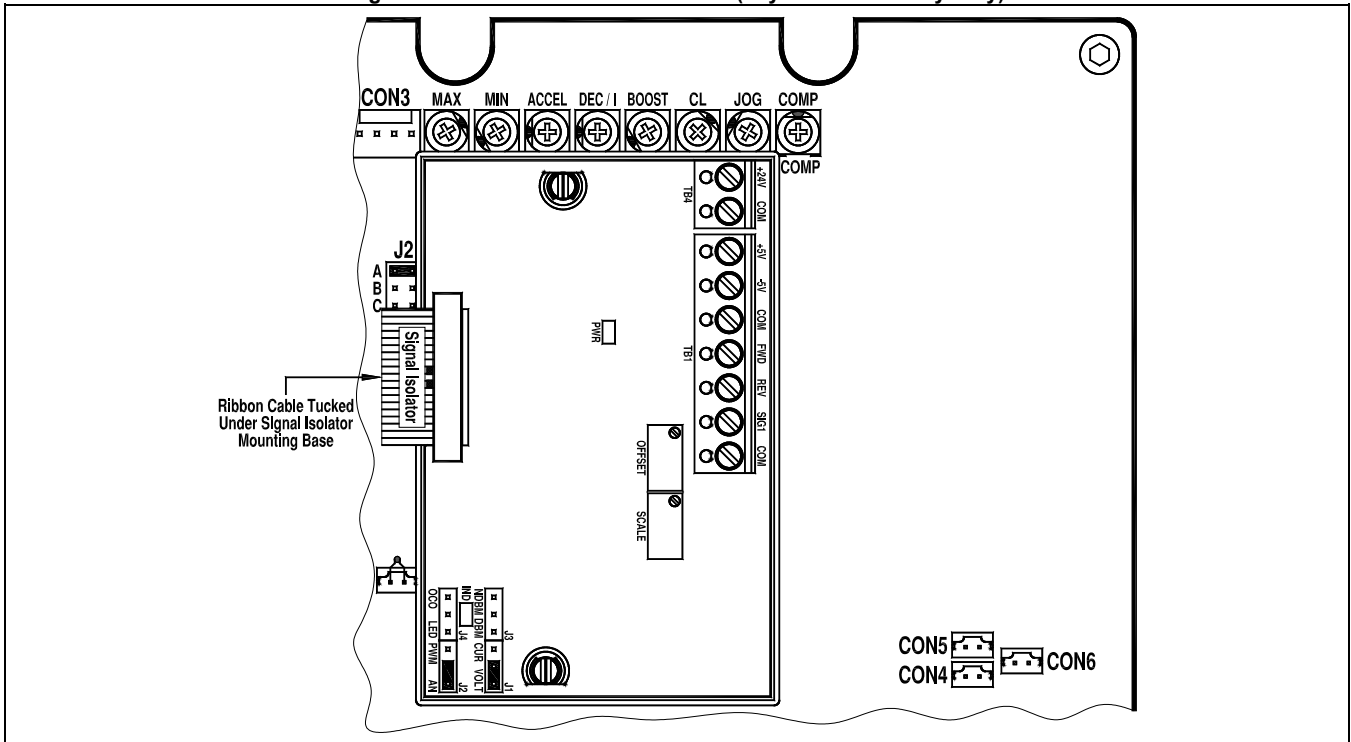


FIGURE 7
Signal Isolator Installed Into the Drive (Layout of Drive May Vary)



SIAC-PS 3G SIGNAL ISOLATOR WITH POWER SUPPLY (PART NO. 8890)

INSTALLATION INSTRUCTIONS

4 WIRING INSTRUCTIONS

All connections are made on Terminal Blocks TB1 and TB4 on the Signal Isolator. See Table 2 for wiring information.



WARNING! Disconnect the main power before making connections to the drive.

TABLE 2
Terminal Blocks TB1 and TB4 Wiring Information

Maximum Wire Size (Cu)		Recommended Tightening Torque	
AWG	mm ²	in-lbs	kg-cm
16	1.3	3.5	4

4.1 Voltage Following Signal Input Connection: A 0 to 2.5 thru 0 to 25 Volt DC analog signal input can be used to control motor speed. Factory setting is 0 to 5 Volts DC. The drive output will linearly follow the analog signal input. Wire the signal input positive lead (+) to Terminal SIG1 and the negative lead (-) to Terminal COM. For **Forward Speed Operation**, wire a jumper (not supplied) between Terminals COM and FWD. For **Reverse Speed Operation** wire a jumper (not supplied) between Terminals COM and REV. Set Jumper J1 to the "VOLT" position (factory setting). See Figure 9 on page 5.

Note: Use the SCALE Trimpot on the Signal Isolator to scale the signal input, as described in Section 5.1. Do not use the MAX Trimpot on the drive when the Signal Isolator is installed.

4.2 Current Following Signal Input Connection: A 4 – 20 mA DC analog signal input can be used to control motor speed. The drive output will linearly follow the analog signal input. Wire the signal input positive lead (+) to Terminal SIG1 and the negative lead (-) to Terminal COM. For **Forward Speed Operation**, wire a jumper (not supplied) between Terminals COM and FWD. For **Reverse Speed Operation** wire a jumper (not supplied) between Terminals COM and REV. Set Jumper J1 to the "CUR" position. See Figure 10 on page 5.

Note: The MIN Trimpot on the drive is not functional when the Signal Isolator is installed. Use the OFFSET Trimpot on the Signal Isolator to offset the signal input, as described in Section 5.2.

4.3 Unidirectional Main Speed Potentiometer with Forward-Stop-Reverse Switch Connection: A 5 kΩ potentiometer (not supplied) can be used to control motor speed. Wire the potentiometer high side to Terminal +5V, the wiper to Terminal SIG1, and the low side to Terminal COM. For selection of motor direction, wire a Forward-Stop-Reverse Switch to Terminals COM, FWD, and REV. See Application Note in Section 4.4. See Figure 11 on page 5.

Application Note: To use the Main Speed Potentiometer that is installed on the front cover, with a Forward-Stop-Reverse Switch wired to the Signal Isolator, remove the jumper that is installed on Terminals FWD and COM on the drive.

4.4 Form "C" Contact or Relay Forward-Stop-Reverse Connection: A form "C" contact or relay can be used to select motor direction. Wire the circuit to Terminals COM, FWD, and REV. See Figure 12 on page 5.

Application Note: If using the Signal Isolator in conjunction with the Forward-Stop-Reverse Switch (Part No. 9480), the Forward-Stop-Reverse Switch must be connected to the Signal Isolator TB1 instead of the drive. Cut off all three insulated terminals from the end of the Forward-Stop-Reverse Switch wires. Strip the wires 1/4". Connect the white/green wire to Terminal COM, the white/yellow wire to Terminal FWD, and the white/red wire to Terminal REV.

4.5 Open Collector Forward-Stop-Reverse Connection: An open collector circuit can be used to select motor direction. Wire the circuit to Terminals COM, FWD, and REV. See Figure 13 on page 5.

4.6 24 Volt DC Power Supply Connection for Transducer or Auxiliary Equipment: The 24 Volt DC Power supply can be used to power a transducer or auxiliary equipment. The maximum current rating is 50 mA DC. See Figure 14 on page 5.

4.7 Optional Auto/Manual Switch (Part No. 8891): See Section 7 on page 6.

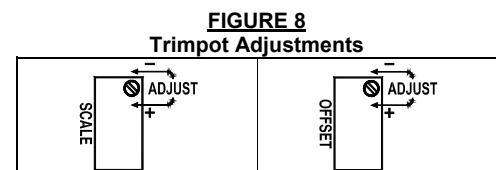
5 TRIMPOT ADJUSTMENTS

The Signal Isolator contains trimpots which are factory set for most applications. The Signal Isolator is factory set for Voltage Following Operation to run the motor from zero speed to full speed with a 0 to 5 Volt DC analog signal input. For Current Following Operation, see Section 5.2. Some applications may require readjustment of the trimpots in order to tailor the drive for a specific application.

5.1 Scale Trimpot (SCALE): The SCALE Trimpot is factory set to run the motor at full speed with a 5 Volt DC analog signal input. For a higher analog signal input (25 Volt DC maximum), rotate the SCALE Trimpot counterclockwise. For a lower analog signal input (2.5 Volt DC min.), rotate the SCALE Trimpot clockwise. See Figure 8.

Note: The MAX Trimpot on the drive has been factory set to an Upper Frequency Limit of 60 Hz (50 Hz, for 50 Hz motors). If the application requires a slightly higher maximum frequency, rotate the MAX Trimpot on the drive to full clockwise position.

5.2 Signal Offset (OFFSET): The OFFSET Trimpot is used to recalibrate the drive for Current Following Operation. The Signal Isolator will run the motor from zero speed to full speed with a 4 – 20 mA DC analog signal input. For a higher minimum speed setting, rotate the OFFSET trimpot clockwise. For a lower minimum speed setting, rotate the OFFSET Trimpot counterclockwise. See Figure 8.



Note: The MIN Trimpot on the drive is not functional when the Signal Isolator is installed.

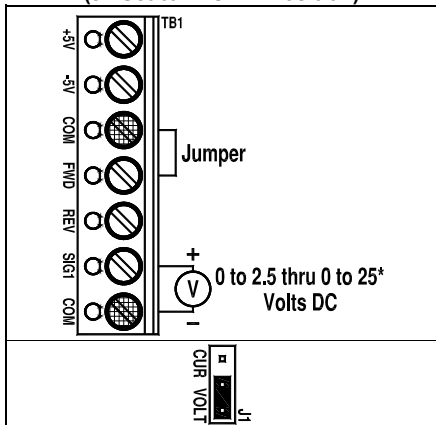
SIAC-PS 3G SIGNAL ISOLATOR WITH POWER SUPPLY (PART NO. 8890)

INSTALLATION INSTRUCTIONS

CONNECTION DIAGRAMS

(Terminal Blocks TB1 and TB4 are Isolated from the AC Line and Motor Wiring)
(All Terminals COM are Shown Shaded and are at the Same Potential)

FIGURE 9
Voltage Following
Signal Input Connection
(Shown in Forward Operation)
(J1 Set to "VOLT" Position)



*Factory calibrated for 0 – 5 Volts DC signal input.

FIGURE 10
Current Following
Signal Input Connection
(Shown in Forward Operation)
(J1 Set to "CUR" Position)

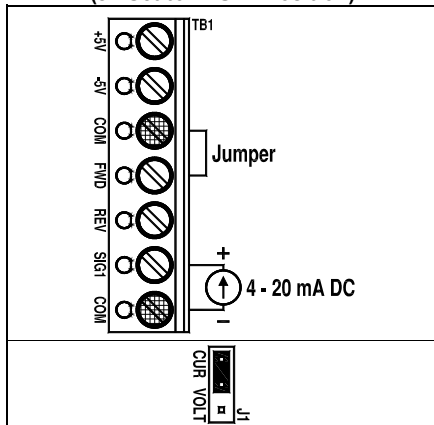
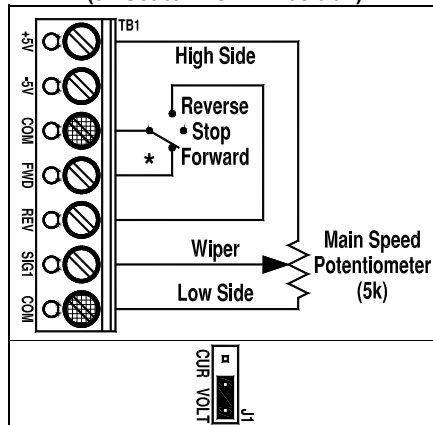


FIGURE 11
Unidirectional
Main Speed Potentiometer with
Forward-Stop-Reverse Switch Connection
(J1 Set to "VOLT" Position)



*See Application Notes in Sections 4.3 and 4.4 on page 4.

FIGURE 12
Form "C" Contact or Relay
Forward-Stop-Reverse Connection

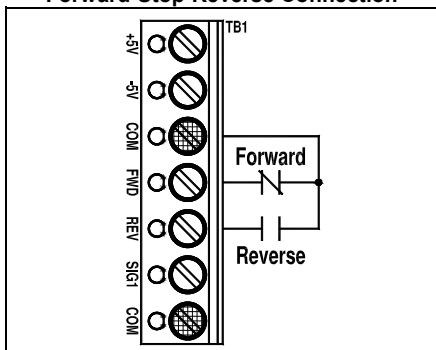


FIGURE 13
Open Collector
Forward-Stop-Reverse Connection

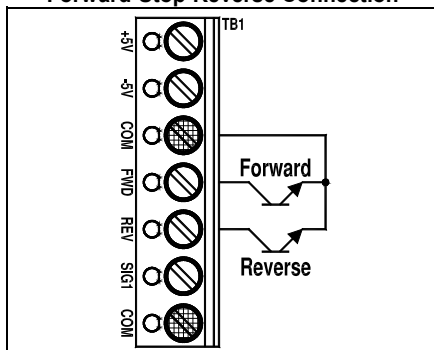
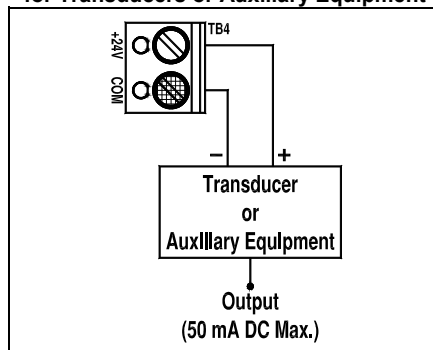


FIGURE 14
24 Volt DC Power Supply Connection
for Transducers or Auxiliary Equipment



6 SETTING SELECTABLE JUMPER J1 (Analog Signal Input Selection)

Jumper J1 must be set before the drive can be used. See Figure 15. For the location of Jumper J1, see Figure 1 on page 1.

Jumper J1 is factory set to the "VOLT" position for Voltage Following Signal input or Main Speed Potentiometer Operation. For Current Following Signal input, set Jumper J1 to the "CUR" position. See Sections 4.1 – 4.3 on page 4.

FIGURE 15
Jumper J1 Settings

Jumper J1 set to the "VOLT" Position for Voltage Following Signal Input or Main Speed Potentiometer Operation (Factory Setting)	Jumper J1 set to the "CUR" Position for Current Following Signal Input

SIAC-PS 3G SIGNAL ISOLATOR WITH POWER SUPPLY (PART NO. 8890) INSTALLATION INSTRUCTIONS

7 OPTIONAL AUTO/MANUAL SWITCH (PART NO. 8891)

The optional Auto/Manual Switch is used to select the Main Speed Potentiometer for "manual operation" or a remote voltage following analog signal from the Signal Isolator for "automatic operation". See Figure 16.

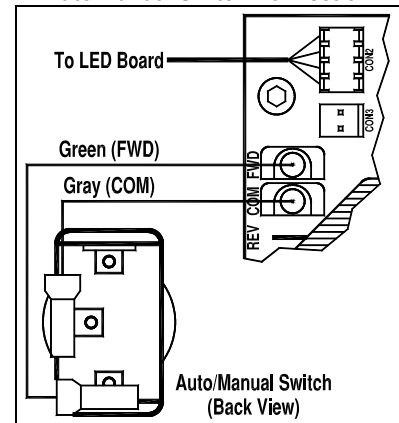
Terminals FWD and COM are automatically reprogrammed, when the Signal Isolator is installed, to accept connection of the optional Auto/Manual Switch.

Remove the jumper that is factory installed on Terminals FWD and COM. Connect the green wire from the Auto/Manual Switch to Terminal FWD. Connect the gray wire from the Auto/Manual Switch to Terminal COM.

Note: If the Auto/Manual Switch is not required, and the factory installed jumper is left on Terminals FWD and COM, the Main Speed Potentiometer will be inoperative and the drive will only operate with a signal input from the Signal Isolator.

Application Note: To use the Main Speed Potentiometer that is installed on the front cover, with a Forward-Stop-Reverse Switch wired to the Signal Isolator, remove the jumper that is installed on Terminals FWD and COM on the drive.

FIGURE 16
Auto/Manual Switch Connection



SAFETY WARNING! Please read carefully before proceeding.

This product must be installed and serviced by a qualified technician, electrician, or electrical maintenance person familiar with its operation and the hazards involved. Proper installation, which includes electrical connections, fusing or other current protection, and grounding, can reduce the chance of electrical shocks, and fires, in this product or products used with this product, such as electric motors, switches, coils, solenoids, and relays. Do not use this drive in an explosion-proof application. Eye protection must be worn and insulated adjustment tools must be used when working with drive under power. This product is constructed of materials (plastics, metals, carbon, silicon, etc.) which may be a potential hazard. Proper shielding, grounding, and filtering of this product can reduce the emission of radio frequency interference (RFI) which may adversely affect sensitive electronic equipment. It is the responsibility of the equipment manufacturer and individual installer to supply this Safety Warning to the ultimate end user of this product. (SW 8/2012)

The drive contains electronic Start/Stop circuits, which can be used to start and stop the drive. However, these circuits are never to be used as safety disconnects since they are not fail-safe. Use only the AC Line for this purpose. Be sure to read and follow all instructions carefully. Fire and/or electrocution can result due to improper use of this product.

LIMITED WARRANTY

For a period of 18 months from the date of original purchase, KB Electronics, Inc. will repair or replace without charge, devices which our examination proves to be defective in material or workmanship. This warranty is valid if the unit has not been tampered with by unauthorized persons, misused, abused, or improperly installed, and has been used in accordance with the instructions and/or ratings supplied. The foregoing is in lieu of any other warranty or guarantee, expressed or implied. KB Electronics, Inc. is not responsible for any expense, including installation and removal, inconvenience, or consequential damage, including injury to any person, caused by items of our manufacture or sale. Some states do not allow certain exclusions or limitations found in this warranty and therefore they may not apply to you. In any event, the total liability of KB Electronics, Inc., under any circumstance, shall not exceed the full purchase price of this product. (rev. 2/2002)

COPYRIGHT © 2016 KB Electronics, Inc.

All rights reserved. In accordance with the United States Copyright Act of 1976, no part of this publication may be reproduced in any form or by any means without permission in writing from KB Electronics, Inc. (8/2002)

The information contained in this literature is intended to be accurate.
However, the manufacturer retains the right to make changes in design, which may not be included herein.



Automation and Control



KB Electronics, Inc.
12095 NW 39th Street, Coral Springs, FL 33065-2516 • Phone: (954) 346-4900 • FAX: (954) 346-3377
Toll Free: (800) 221-6570 • info@kbelectronics.com
www.kbelectronics.com