

NITRO COLD BREW COFFEE SYSTEM

JUST ADD COLD BREW



Serving Nitro Coffee has never been so easy!

Nitro brew coffee is fast becoming a favourite cold beverage for coffee-lovers everywhere. With the Nitro Cold Brew Coffee System, you can create a chilled, smooth and creamy beverage that will impress your clients and create a profitable revenue stream for your business. The patented delivery system filters nitrogen from atmospheric air through the machine, compressing it and mixing it with the cold brew coffee. Serving up to 1.2 litres per minute, the Nitro Cold Brew Coffee System chills as it pours, and is as easy as pulling a lever!

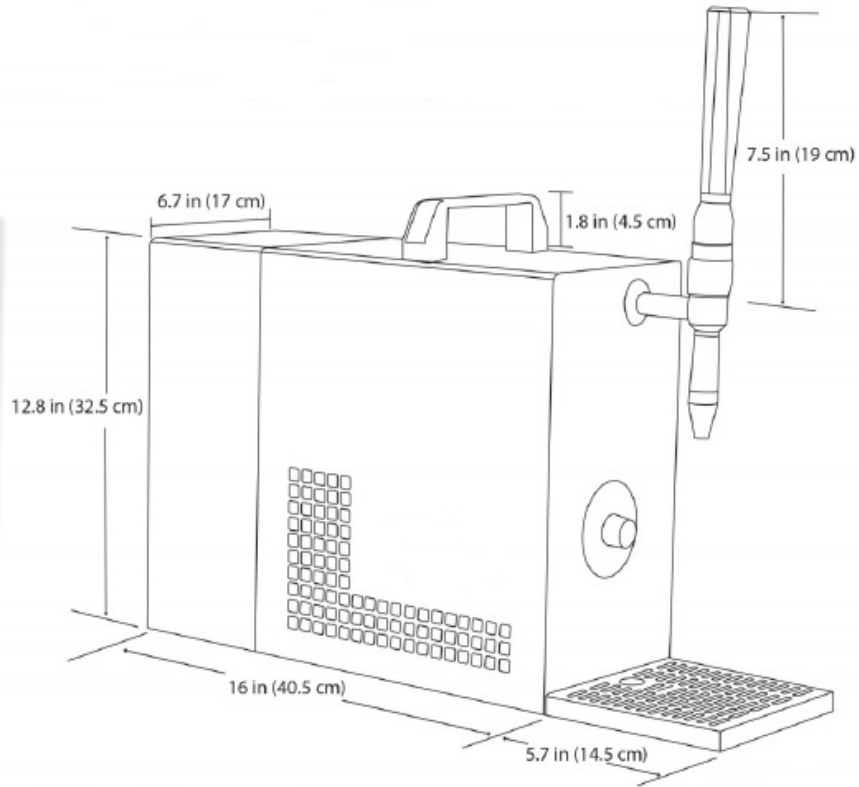
The Nitro Cold Brew System not only makes nitro coffee that tastes great, but it is also:

- quick and easy to install
- easy to fit into small café bench spaces
- easily adjustable for all your nitro needs
- convenient, as it has no need for nitrogen bottles or large kegs!

For more information or a demonstration, contact us via the details below.



NITRO-BREW
Nitro Cold Brew Coffee System



SPECIFICATIONS

- Power Supply: 230V/50Hz
- Stainless Steel unit
- Dimensions: 40.5cm (D) x 32.5cm (H) x 17cm (W) plus 14.5cm (D) for the drip tray and 19cm (H) for the handle
- Weight: 18.5kg
- Flow rate: either 0.6L/min or 1.2L/min (choice of flow rate disc)
- Maximum cooling power: 5C (+/- 1C)
- Liquid volume in dispenser: 500ml
- Power cord: 1.5m length
- Hose: 1.5m length
- Made in Germany
- 12 Months Limited Manufacturer's Warranty

STANDARD INCLUSIONS

- 1 x Nitro Cold Brew Coffee System
- 1 x Stainless Steel Removable Drip Tray
- 1 x Stainless Steel Jet Nozzle Tap
- 1 x Intake Hose with Filter Adapter

