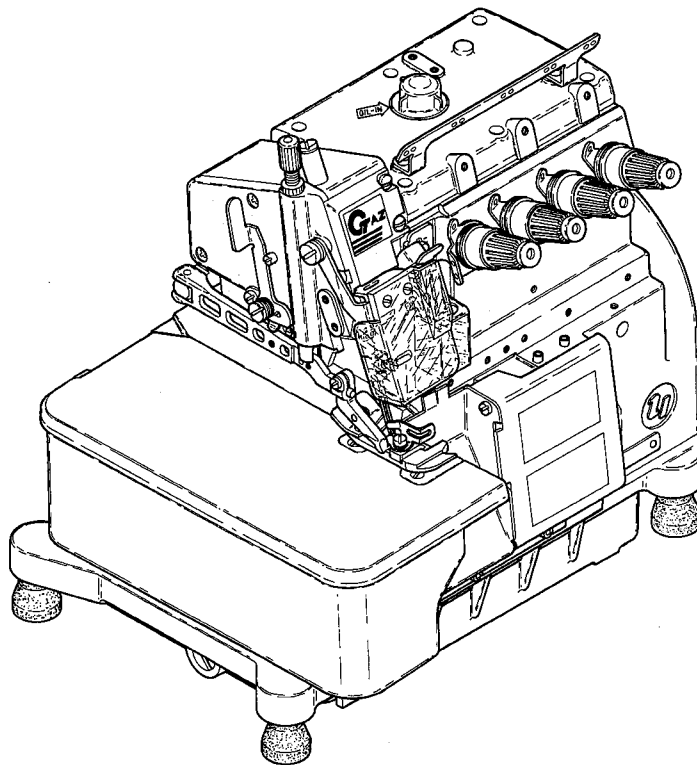


Yamato[®]

Parts List

**SUPER HIGH SPEED
OVERLOCK STITCH MACHINE**

AZ7000G-8



MODELS & DEVICES

| | | |
|------------------|------------------|------------------|
| AZ7020G-8 | AZ7000G-8 | AZ7003G-8 |
| AZ7016G-8 | AZ7025G-8 | AZ7120G-8 |
| AZ7125G-8 | | |

K2 C B3 SC10



YAMATO SEWING MACHINE MFG. CO., LTD.

パーツリストの見方

このパーツリストはAZ7020G-Y5-8(平メス装備)を基本モデルにしてイラストを作成しています。項目1～13には基本モデルを記載しています。

項目14～サブモデル、付帯装置等を記載しています。

パーツリストに記載されているカラーの寸法は内径×外径×幅を表わしています。

コネクタに表記してある数字は、接続部のサイズです。

記号の説明 (Parts No. の隣に記載されています。)

[] 前回のパーツリストに対して、今回変更された部品を表わしています。

[] 内は旧Parts No. 及びネジ類の形状

◆ 前回のパーツリストに対して、今回追加された部品及びモデルを表わしています。

部品注文の際のご注意

☆ このパーツリストに記載されている部品をご注文の際は、Parts No.(例えば、2150210)でお願いします。

☆ 0020004の場合は、0020004又は20004でご注文下さい。

☆ エアチューブ御注文の際は品番と長さをお知らせ下さい。

なお、このパーツリストの記載事項は、改良により変更される場合がありますのでご了承下さい。

How to use this Parts List

The illustrations on this Parts List are drawn on the basis of AZ7020G-Y5-8 with Flat Knife.

The items from No.1 to No.13 contain the standard model.

The following items included No.14 contain the submodel and Device.

The dimension of Collar on this Parts List shows Inside diameter X Outside diameter X Width.

Numbers on a connector show sizes of joints.

Explanation of Marks (marked at the Side of Part No.)

[] means this part is changed from the previous Parts List.

Inside of [] shows the previous Part No. and the shape of screw or the like.

◆ means this part and model is added to the previous Parts List.

How to place an order for the parts

☆ When placing an order for the parts from this Parts List, please clearly state the Parts No. (e.g.2150210) which you require so that we can deliver the correct Parts to you.

☆ When the Part No. is "0020004", please place an order for the part by showing "0020004" or "20004".

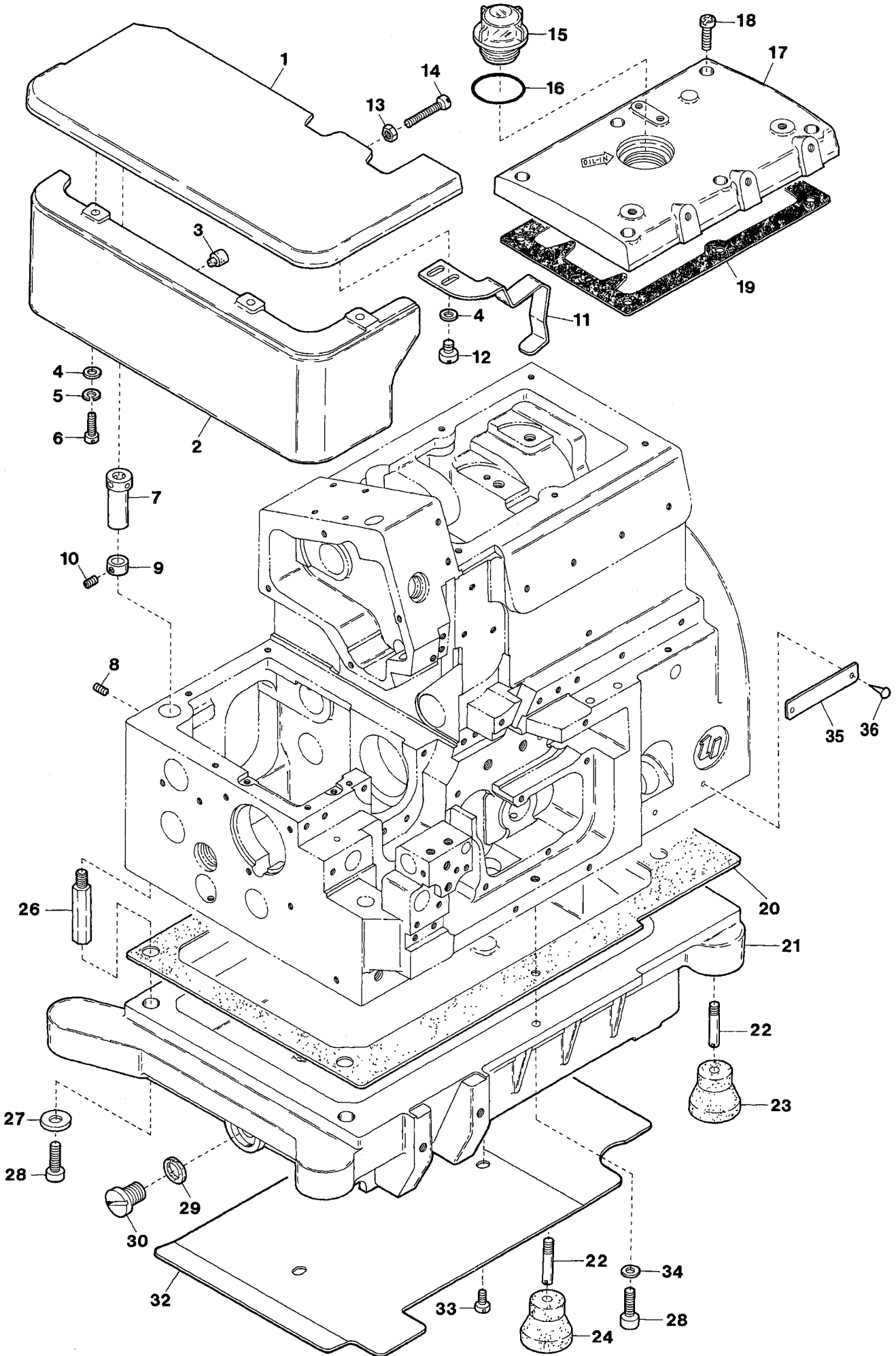
☆ When ordering Air Tube, please inform us of the Part No. and the length.

This Parts List is subject to change without notice.

Contents

目次

| | | |
|--|----------------|----|
| MISCELLANEOUS COVERS(1) | カバー関係(1) | 1 |
| MISCELLANEOUS COVERS(2) | カバー関係(2) | 2 |
| MISCELLANEOUS COVERS(3) | カバー関係(3) | 3 |
| MISCELLANEOUS THREAD EYELETS | 糸道関係 | 4 |
| MISCELLANEOUS CRANKSHAFT & BUSHINGS | 主軸及びブッシュ関係 | 5 |
| NEEDLE BAR DRIVING MECHANISM | 針棒機構 | 6 |
| KNIFE DRIVING MECHANISM | メス機構 | 7 |
| PRESSER FOOT MECHANISM | 押工機構 | 8 |
| UPPER LOOPER DRIVING MECHANISM | 上ルーパ機構 | 9 |
| LOWER LOOPER DRIVING MECHANISM | 下ルーパ機構 | 10 |
| FEED DRIVING CONTROL MECHANISM | 前送り調節機構 | 11 |
| FEED DRIVING MECHANISM | 送り機構 | 12 |
| LUBRICATING MECHANISM | 給油機構 | 13 |
| EXCLUSIVE PARTS for UPPER KNIFE(Angled Type), AZ700G-8 | 角メス及びサブモデル専用部品 | 14 |
| AZ7003G-8, 7025G-8 EXCLUSIVE PARTS | サブモデル専用部品 | 15 |
| AZ7016G-8 EXCLUSIVE PARTS | サブモデル専用部品 | 16 |
| AZ7120G-8, 7125G-8 EXCLUSIVE PARTS(1) | サブモデル専用部品(1) | 17 |
| AZ7120G-8 EXCLUSIVE PARTS(2) | サブモデル専用部品(2) | 18 |
| AZ7125G-8 EXCLUSIVE PARTS(2) | サブモデル専用部品(2) | 19 |
| K2 DEVICE(1) | K2 装置(1) | 20 |
| K2 DEVICE(2) | K2 装置(2) | 21 |
| C DEVICE | C 装置 | 22 |
| B3 DEVICE | B3 装置 | 23 |
| SC10 DEVICE | SC10 装置 | 24 |
| EXTRA PARTS | 特注部品 | 25 |
| MISCELLANEOUS SUPPORTING BOARD | 受け板関係 | 26 |
| THREAD STAND | 糸立台 | 27 |
| WARNING LABEL | 警告ラベル | 28 |
| LIST of MAIN SPARE PARTS | 主要部品リスト | 29 |
| INDEX | 索引 | 30 |

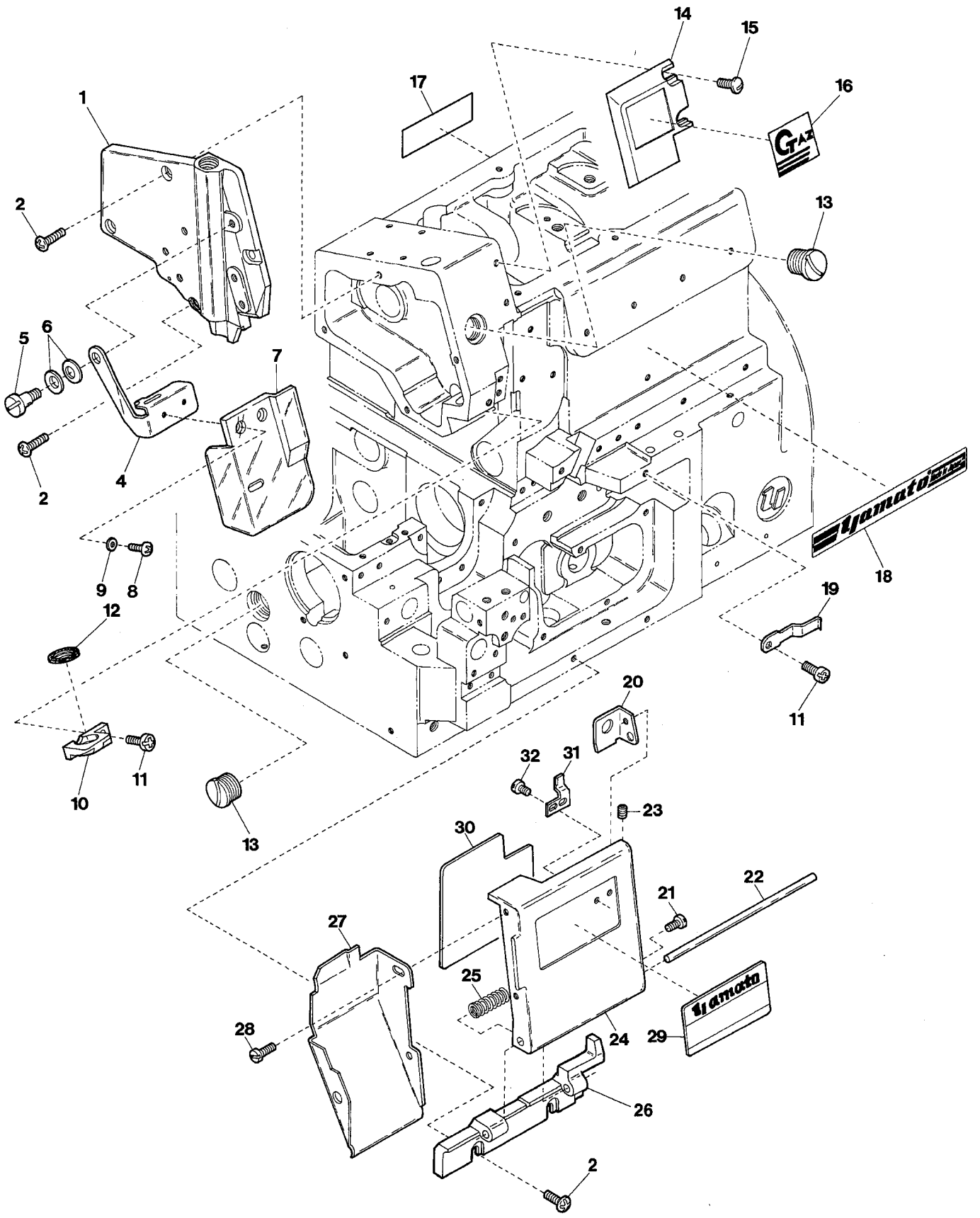


MISCELLANEOUS COVERS(1)

カバー関係(1)

1

| Ref.No | Parts No. | Description | 品名 | Amt. Req |
|--------|-----------|---|---------------|----------|
| 1 | 2100006 | Cloth Plate | クロスプレート | 1 |
| 2 | 2150210 | Cloth Plate(Lower) | クロスプレート(下) | 1 |
| 3 | 2100014 | Rubber Cushion | クロスプレート(下)埋メ座 | 1 |
| 4 | 001123 | Washer | ワッシャ | 5 |
| 5 | 000644 | Spring Washer | スプリングワッシャ | 3 |
| 6 | 110045 | Screw(M4-0.7 × 12) | 止ネジ | 3 |
| 7 | 2100011 | Cloth Plate Eccentric Bushing | エキセンブッシュ | 1 |
| 8 | 160001 | Screw(M4-0.7 × 4) | 止ネジ | 1 |
| 9 | 2100012 | Collar(4 × 9 × 6mm) | カラー | 1 |
| 10 | 003637 | Screw(1/8-44 × 2.5) | 止ネジ | 1 |
| 11 | 2150015 | Cloth Plate Spring | クロスプレートバネ | 1 |
| 12 | 110012 | Screw(M4-0.7 × 5) | 止ネジ | 2 |
| 13 | 100001 | Lock Nut | ロックナット | 1 |
| 14 | 110031 | Stop Screw(M4-0.7 × 12) | ストップネジ | 1 |
| 15 | 0020004 | Oil Cap | オイルキャップ | 1 |
| 16 | 0020005 | O-ring(P28) | Oリング | 1 |
| 17 | 2150287 | Top Cover | 上カバー | 1 |
| 18 | 110016 | Screw(M4-0.7 × 15) | 止ネジ | 6 |
| 19 | 2150026 | Top Cover Gasket | 上カバーパッキン | 1 |
| 20 | 2100864 | Oil Reservoir Gasket | 油受ケパッキン | 1 |
| 21 | 2151054 | Oil Reservoir | 油受ケ | 1 |
| 22 | 006816 | Screw(1/4-24 × 8) | 止ネジ | 4 |
| 23 | 0032879 | Oil Reservoir Rubber Cushion(Black-colored) | 防振ゴム(黒色) | 3 |
| 24 | 0033627 | Oil Reservoir Rubber Cushion(Green-colored) | 防振ゴム(緑色) | 1 |
| 25 | | | | |
| 26 | 2100875 | Oil Reservoir Positioning Bar | 油受ケ固定棒 | 4 |
| 27 | 300004 | Washer | ワッシャ | 4 |
| 28 | 120017 | Screw(M5-0.8 × 15) | 止ネジ | 6 |
| 29 | 0020137 | Drain Hole Seal | パッキン | 1 |
| 30 | 005075 | Drain Hole Screw(3/8-24 × 8) | 油抜キネジ | 1 |
| 31 | | | | |
| 32 | 2151056 | Wind Guide Plate | 風案内板 | 1 |
| 33 | 110013 | Screw(M4-0.7 × 8) | 止ネジ | 2 |
| 34 | 300043 | Washer | ワッシャ | 2 |
| 35 | 2049401 | Serial Number Plate | 機番プレート | 1 |
| 36 | 000726 | Rivet | 止メ鉋 | 2 |



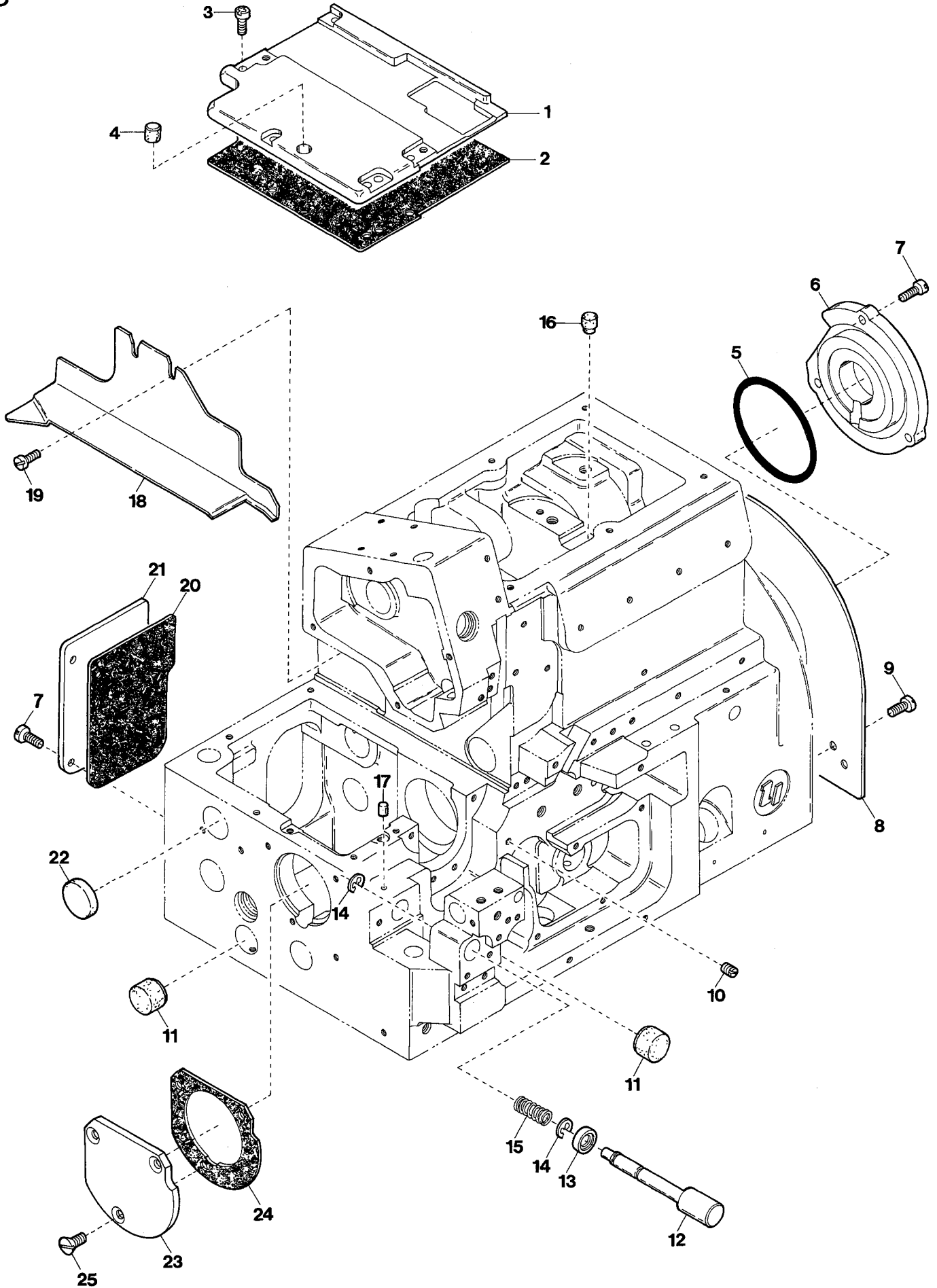
| Ref.No | Parts No. | Description | 品名 | Amt. Req |
|--------|-----------|--------------------------------|-------------|----------|
| 1 | 2150727 | Side Cover | 側面カバー | 1 |
| 2 | 110013 | Screw(M4-0.7 × 8) | 止ネジ | 5 |
| 3 | | | | |
| 4 | 2150018 | Eye Guard Holder | アイガード板 | 1 |
| 5 | 170032 | Screw(M4-0.7 × 5) | 止ネジ | 1 |
| 6 | 000010 | Conical Spring Washer | 皿バネワッシャ | 2 |
| 7 | 2150125 | Eye Guard | アイガード | 1 |
| 8 | 110076 | Screw(M3-0.5 × 6) | 止ネジ | 2 |
| 9 | 000444 | Washer | ワッシャ | 2 |
| 10 | 2150023 | Needle Bar Oil Defender | 針棒油受け | 1 |
| 11 | 110012 | Screw(M4-0.7 × 5) | 止ネジ | 2 |
| 12 | 2150024 | Needle Bar Oil Seal | 針棒シール | 1 |
| 13 | 190015 | Screw(M14-2 × 6) | 止ネジ | 2 |
| 14 | 2150025 | Logo Plate | ロゴマーク板 | 1 |
| 15 | 110106 | Screw(M4-0.7 × 8) | 止ネジ | 2 |
| 16 | 390183 | "AZ-G" Logo Mark | AZ-Gロゴマーク | 1 |
| 17 | 390205 | Brand Name Sticker(70mm) | 銘板 | 1 |
| 18 | 390204 | Brand Name Sticker(122mm) | 銘板 | 1 |
| 19 | 2100538 | Front Cover Latch Spring | 前開キカバーラッチバネ | 1 |
| 20 | 0024446 | Front Cover Hook | 前開キカバーフック | 1 |
| 21 | 001203 | Screw(9/64-40 × 4.5) | 止ネジ | 1 |
| 22 | 0020016 | Front Cover Hinge Pin | 前開キカバーヒンジピン | 1 |
| 23 | 003637 | Screw(1/8-44 × 2.5) | 止ネジ | 2 |
| 24 | 2150728 | Front Cover(Right) | 前開キカバー | 1 |
| 25 | 0024095 | Front Cover Hinge Spring | 前開キカバーヒンジバネ | 1 |
| 26 | 2151055 | Front Cover Hinge | 前開キカバーヒンジ | 1 |
| 27 | 2100534 | Chip Guard(Openable) | 切屑落シ板 | 1 |
| 28 | 110003 | Screw(M3.5-0.6 × 6) | 止ネジ | 2 |
| 29 | 2129420 | Model Plate(Green) | 型式板(緑) | 1 |
| 30 | — | Threading Chart(See the Table) | 糸通シ図(下表参照) | 1 |
| 31 | 2100856 | Front Cover Latch | 前開キカバーラッチ | 1 |
| 32 | 110054 | Screw(M3-0.5 × 3.5) | 止ネジ | 2 |

Note : Order for Model Plate must be accompanied by model designation(including symbols of gauge and devices).

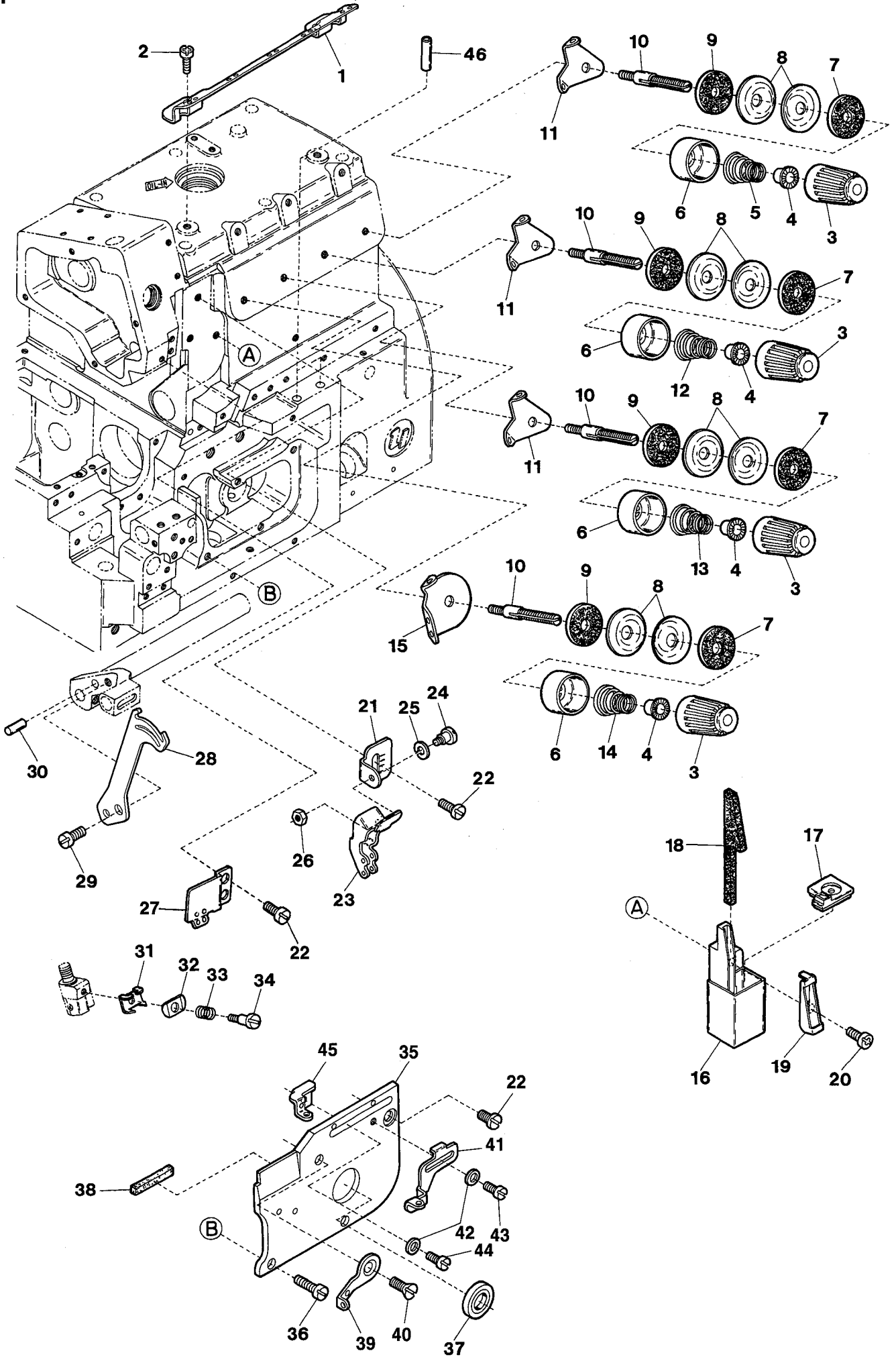
(注) 型式板を御注文の際は機種名(ゲージ記号、附帯装置含む)をお知らせください。

| Models | Preta No. Threading Chart |
|-----------|------------------------------|
| AZ7000G-8 | 390608 |
| AZ7003G-8 | 390608 |
| AZ7016G-8 | 390608 |
| AZ7020G-8 | 390663 |
| AZ7025G-8 | 390663 |
| AZ7120G-8 | 390663 |
| AZ7125G-8 | 390663 |

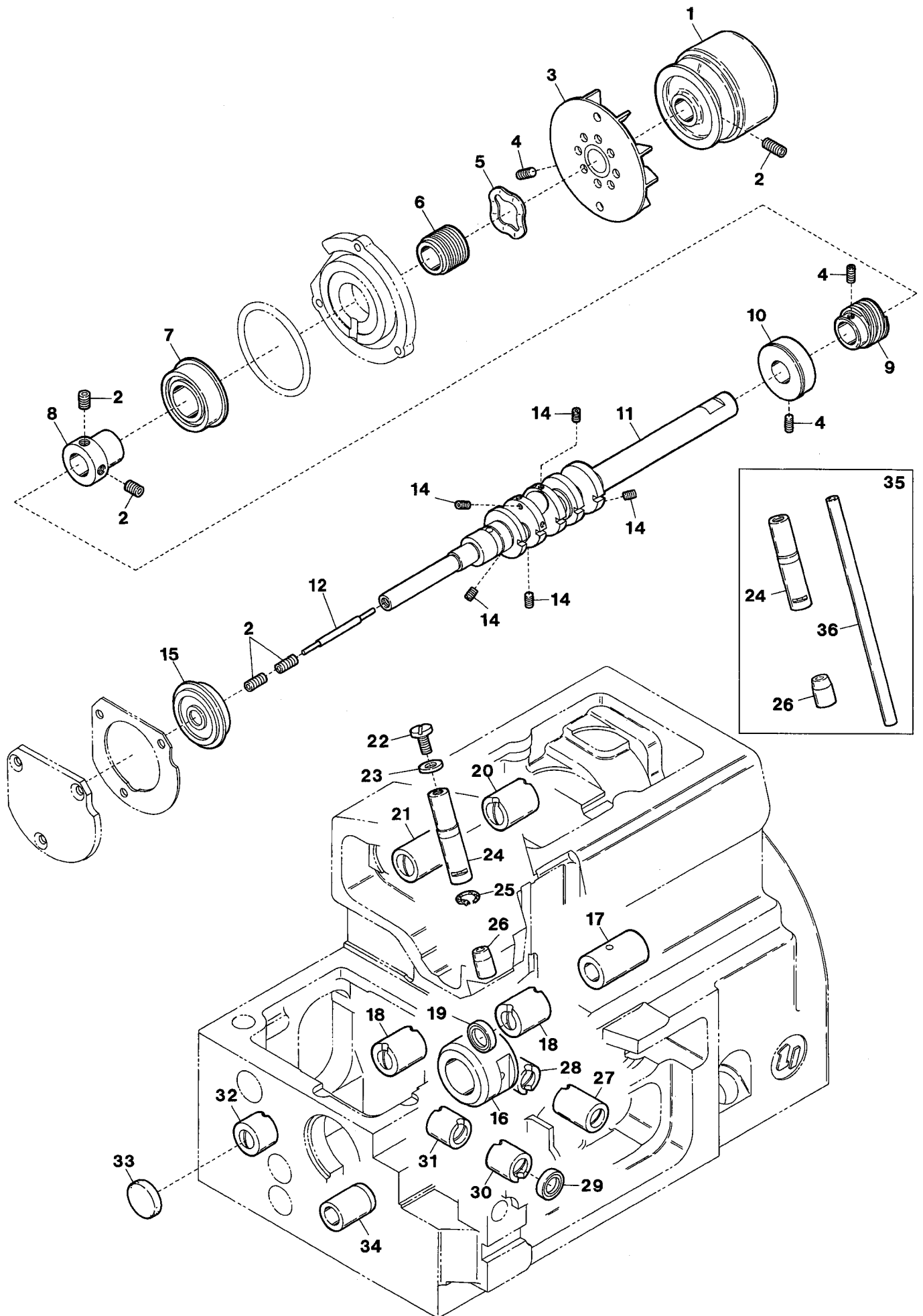
3



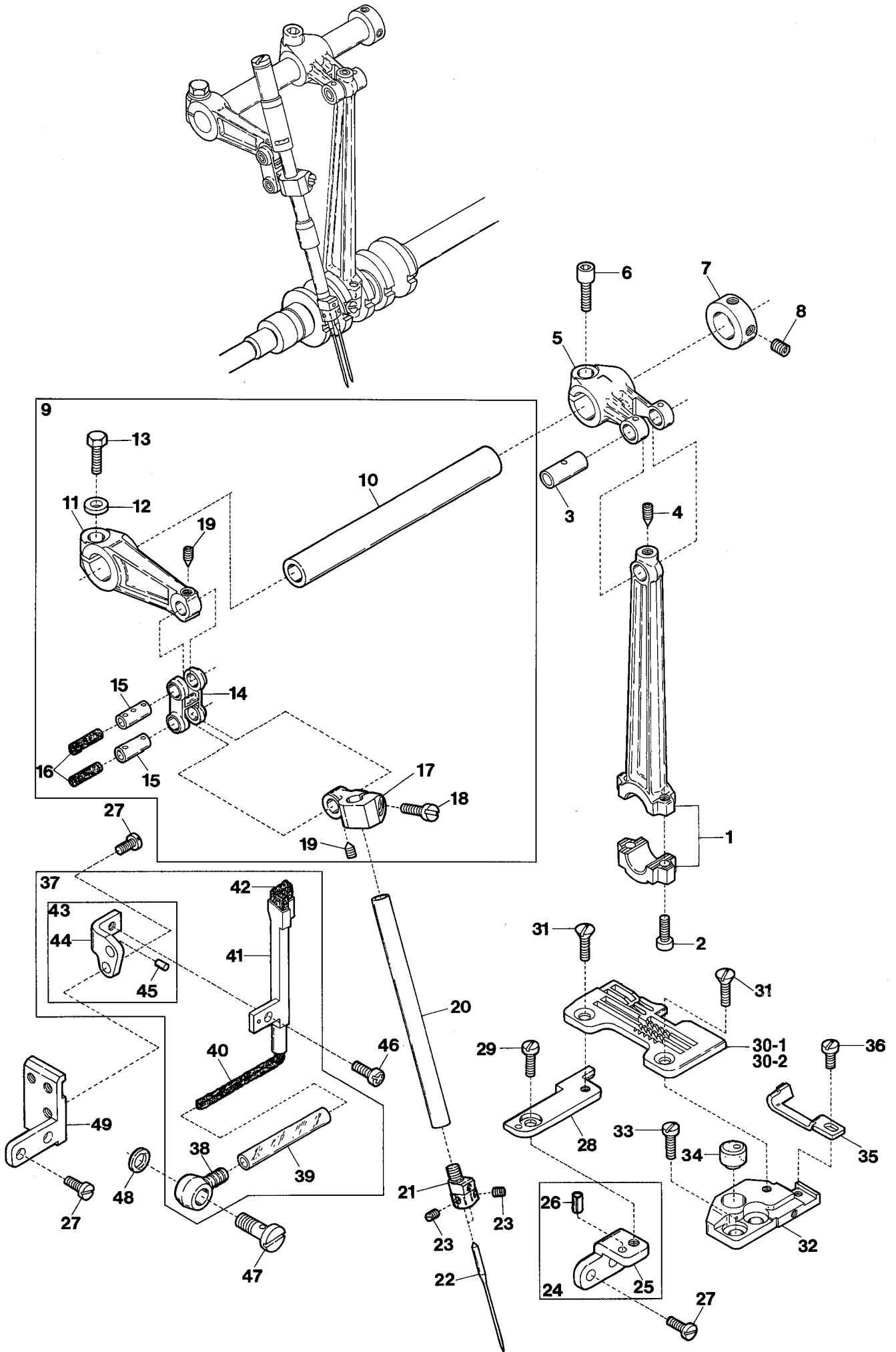
| Ref.No | Parts No. | Description | 品名 | Amt. Req |
|--------|-----------|-----------------------------|------------|----------|
| 1 | 2100035 | Feed Mechanism Cover | 送リ上カバー | 1 |
| 2 | 2100921 | Feed Mechanism Cover Gasket | 送リ上カバーパッキン | 1 |
| 3 | 110048 | Screw(M4-0.7 × 10) | 止ネジ | 5 |
| 4 | 2100047 | Rubber Cushion | 埋メ座(中) | 1 |
| 5 | 2110027 | O-ring(P52) | Oリング | 1 |
| 6 | 2110026 | Ball Bearing Holder | ベアリング押エ | 1 |
| 7 | 110013 | Screw(M4-0.7 × 8) | 止ネジ | 7 |
| 8 | 2100318 | Fan Cover | ファンカバー | 1 |
| 9 | 110012 | Screw(M4-0.7 × 5) | 止ネジ | 2 |
| 10 | 150004 | Screw(M4-0.7 × 6) | 止ネジ | 1 |
| 11 | 2100961 | Seal Plug | 詰栓 | 2 |
| 12 | 2150022 | Pushbutton | プッシュボタン | 1 |
| 13 | 2100861 | Oil Seal | オイルシール | 1 |
| 14 | 0033024 | Retaining Ring | ストップリング | 2 |
| 15 | 0068517 | Pushbutton Spring | プッシュボタンバネ | 1 |
| 16 | 330008 | Seal Plug | 詰栓 | 1 |
| 17 | 330000 | Seal Plug | 詰栓 | 1 |
| 18 | 2150017 | Fabric Guide Plate | 布案内板 | 1 |
| 19 | 110064 | Screw(M4-0.7 × 8) | 止ネジ | 2 |
| 20 | 2100918 | Tail Cover Gasket | 後カバーパッキン | 1 |
| 21 | 2100037 | Tail Cover | 後カバー | 1 |
| 22 | 2150069 | Seal Plug | 詰栓 | 1 |
| 23 | 2100873 | Ball Bearing Housing | ハウジング | 1 |
| 24 | 2100874 | Ball Bearing Housing Gasket | ハウジングパッキン | 1 |
| 25 | 130003 | Screw(M4-0.7 × 7.3) | 止ネジ | 3 |



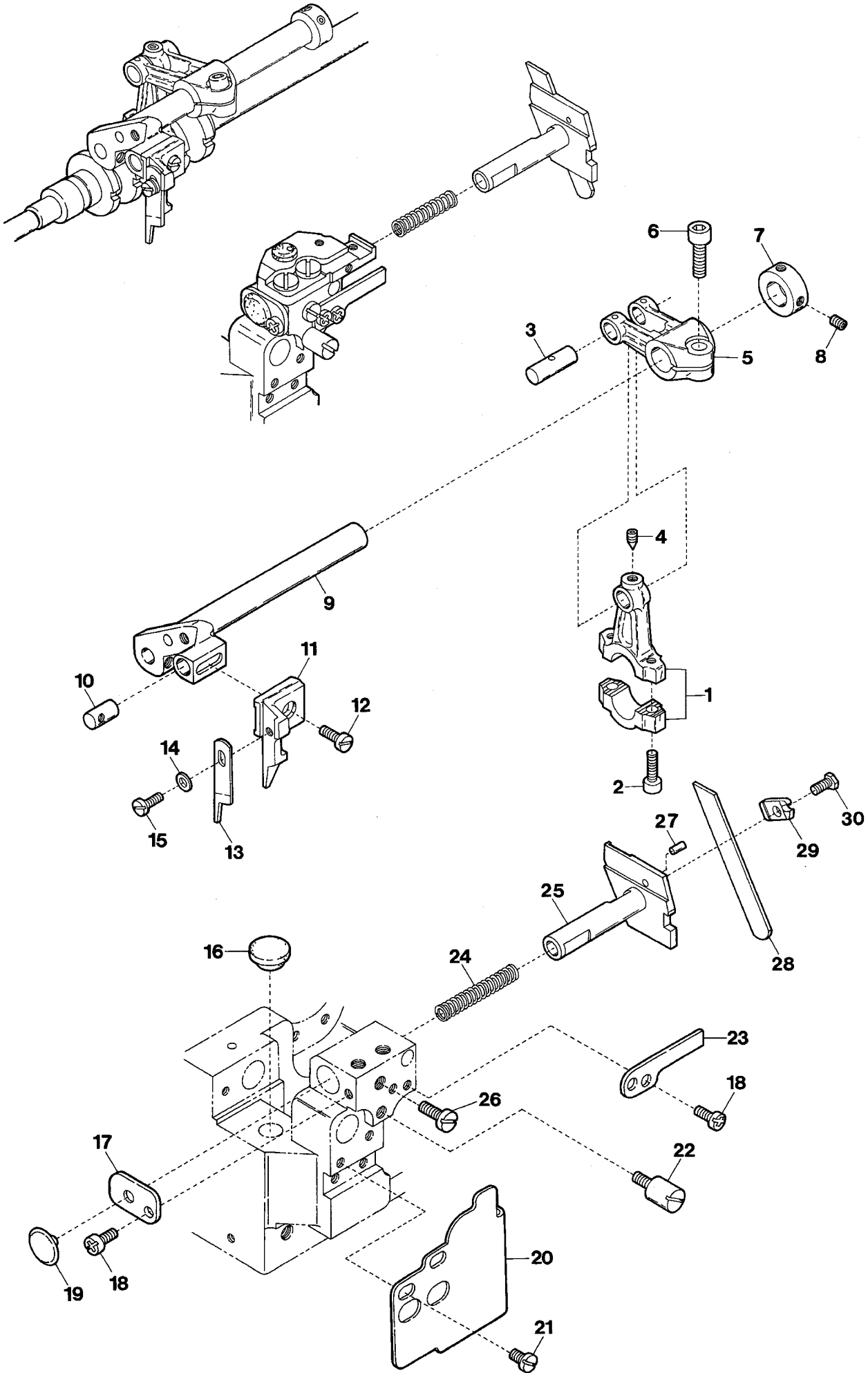
| Ref.No | Parts No. | Description | 品名 | Amt. Req |
|--------|-----------|---------------------------------------|--------------|----------|
| 1 | 2160122 | Thread Guide Plate | 糸案内板 | 1 |
| 2 | 110013 | Screw(M4-0.7 × 8) | 止ネジ | 2 |
| 3 | 0024084 | Thread Tension Spring Cap | 糸調子バネキャップ(上) | 4 |
| 4 | 0024083 | Tension Spring Bushing | 糸調子ナット回り止め | 4 |
| 5 | 0024157 | Lower Looper Thread Tension Spring | 下ルーパ糸調子バネ | 1 |
| 6 | 0020118 | Thread Tension Spring Retainer | 糸調子バネキャップ(下) | 4 |
| 7 | 000178 | Felt | フェルト | 4 |
| 8 | 0031111 | Tension Disc | 糸調子皿 | 8 |
| 9 | 000177 | Felt | フェルト | 4 |
| 10 | 190016 | Tension Post(Short) | 糸調子棒(短) | 4 |
| 11 | 0032962 | Tension Disc Eyelet | 糸調子台糸道 | 3 |
| 12 | 0032952 | Upper Looper Thread Tension Spring | 上ルーパ糸調子バネ | 1 |
| 13 | 0030255 | Needle Thread Tension Spring | 針糸調子バネ | 1 |
| 14 | 0024156 | Needle Thread Tension Spring | 針糸調子バネ | 1 |
| 15 | 2150116 | Tension Disc Eyelet for Needle Thread | 針糸調子台糸道 | 1 |
| 16 | 2150030 | Oil Container | SPタンク | 1 |
| 17 | 2150031 | Oil Container Plug | 詰栓 | 1 |
| 18 | 310105 | Felt | SPフェルト | 1 |
| 19 | 2150032 | Felt Holder | SPフェルト押エ | 1 |
| 20 | 110013 | Screw(M4-0.7 × 8) | 止ネジ | 1 |
| 21 | 2150124 | Needle Thread Eyelet Holder | 針糸道取付板 | 1 |
| 22 | 110001 | Screw(M4-0.7 × 5.4) | 止ネジ | 4 |
| 23 | 2150115 | Needle Thread Eyelet(Right) | 針糸道(右) | 1 |
| 24 | 006035 | Screw(9/64-40 × 7) | 止ネジ | 1 |
| 25 | 000644 | Spring Washer | スプリングワッシャ | 1 |
| 26 | 000322 | Nut | ナット | 1 |
| 27 | 2150114 | Needle Thread Eyelet(Left) | 針糸道(左) | 1 |
| 28 | 2150283 | Needle Thread Pull-off | 針糸繰り | 1 |
| 29 | 110073 | Screw(M4-0.7 × 7.5) | 止ネジ | 1 |
| 30 | 000653 | Knock Pin | ノックピン | 1 |
| 31 | 2150106 | Thread Retainer Plate Support | 小調子板 | 1 |
| 32 | 2150107 | Thread Retainer Plate | 小調子皿 | 1 |
| 33 | 2150108 | Thread Retainer Spring | 小調子皿バネ | 1 |
| 34 | 170060 | Screw(M2.5-0.45 × 4) | 止ネジ | 1 |
| 35 | 2150034 | Looper Holder Cover | ルーパ台カバー | 1 |
| 36 | 110009 | Screw(M4-0.7 × 8) | 止ネジ | 2 |
| 37 | 0093303 | Looper Driving Shaft Oil Seal | ルーパ軸オイルシール | 1 |
| 38 | 2100229 | Looper Holder Cover Spacer(Rubber) | ルーパ台カバースペース | 1 |
| 39 | 2150425 | Looper Thread Eyelet(Left) | ルーパ糸道(左) | 1 |
| 40 | 130020 | Screw(M4-0.7 × 6.3) | 止ネジ | 1 |
| 41 | 2150423 | Lower Looper Thread Eyelet | 下ルーパ糸道 | 1 |
| 42 | 000014 | Washer | ワッシャ | 2 |
| 43 | 110002 | Screw(M3-0.5 × 5) | 止ネジ | 1 |
| 44 | 110026 | Screw(M3-0.5 × 6) | 止ネジ | 1 |
| 45 | 2150422 | Upper Looper Thread Eyelet | 上ルーパ糸道 | 1 |
| 46 | 0022215 | Looper Thread Pipe | 糸道パイプ | 2 |



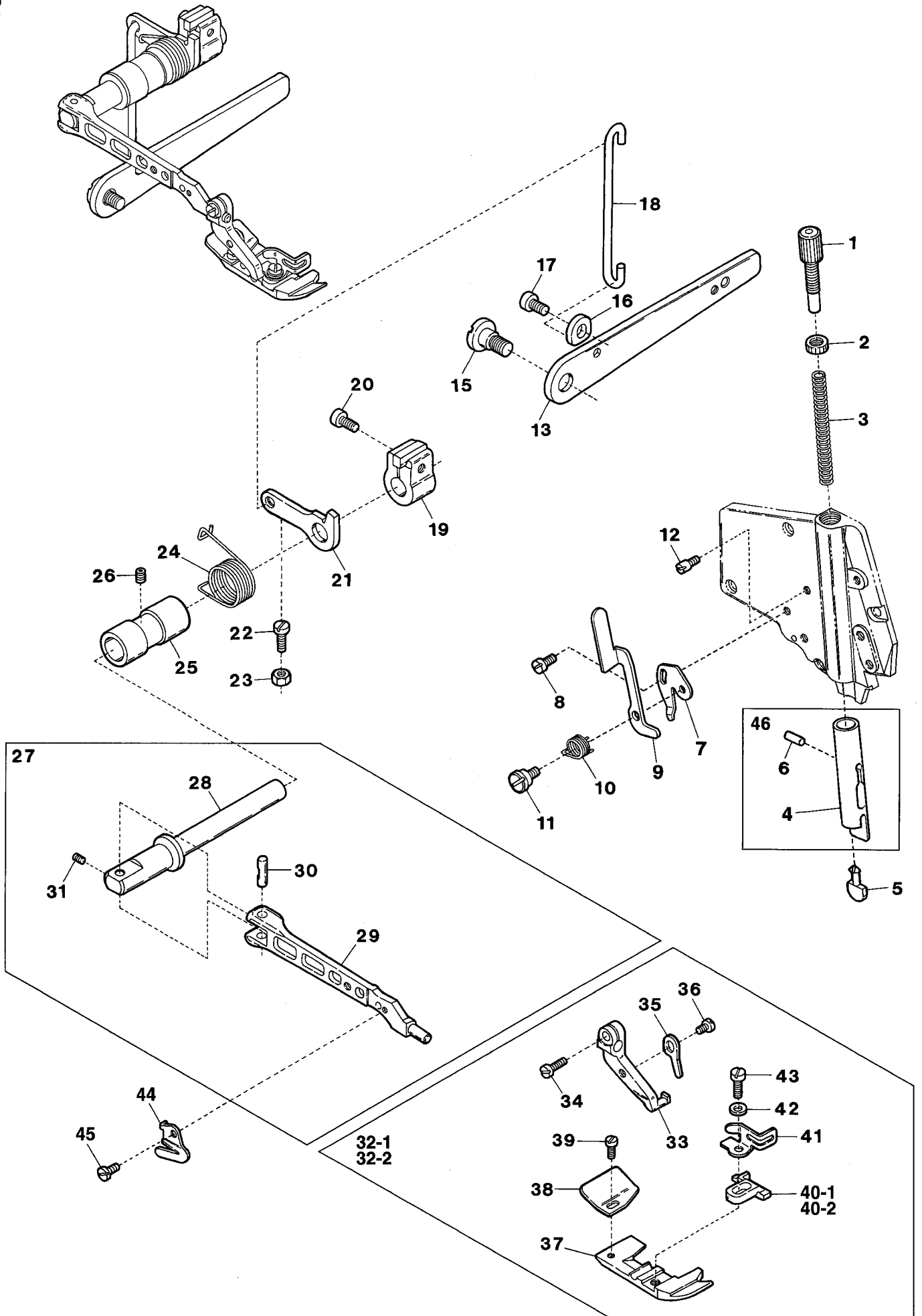
| Ref.No | Parts No. | Description | 品名 | Amt. Req |
|--------|-----------|--|----------------|----------|
| 1 | 2150214 | Machine Pulley | ミシンプーリ | 1 |
| 2 | 160007 | Screw(M6-1 × 6) | 止ネジ | 6 |
| 3 | 2110181 | Oil Cooling Fan | 冷却ファン | 1 |
| 4 | 160001 | Screw(M4-0.7 × 4) | 止ネジ | 5 |
| 5 | 2110184 | Wave Washer | 波形ワッシャ | 1 |
| 6 | 2110183 | Mechanical Oil Shield | 油切り | 1 |
| 7 | 0093090 | Crankshaft Ball Bearing(Right) | ボールベアリング(右) | 1 |
| 8 | 3100129 | Bearing Adapter | ベアリング受け | 1 |
| 9 | 2150096 | Oil Pump Driving Worm | ウォーム | 1 |
| 10 | 2150038 | Crankshaft Bushing | 中ブッシュ | 1 |
| 11 | 2150712 | Crankshaft | クランクシャフト | 1 |
| 12 | 2150209 | Pin | 油量制限ピン | 1 |
| 13 | | | | |
| 14 | 160027 | Screw(M3-0.5 × 3) | 詰ネジ | 5 |
| 15 | 2100872 | Crankshaft Ball Bearing(Left) | ボールベアリング(左) | 1 |
| 16 | 2150039 | Crankshaft Bushing | 小ブッシュ | 1 |
| 17 | 2100105 | Upper Knife Driving Shaft Bushing(Right) | 上メス軸ブッシュ(右) | 1 |
| 18 | 2150043 | Upper Knife · Feed Bar Driving Shaft Bushing | 上メス軸 · 送り軸ブッシュ | 2 |
| 19 | 2100117 | Upper Knife Driving Shaft Oil Seal | 上メス軸オイルシール | 1 |
| 20 | 2150049 | Needle Bar Driving Shaft Bushing(Right) | 針棒クランク軸ブッシュ(右) | 1 |
| 21 | 2150048 | Needle Bar Driving Shaft Bushing(Left) | 針棒クランク軸ブッシュ(左) | 1 |
| 22 | 003636 | Cap Screw(5/16-32 × 3.5) | 蓋ネジ | 1 |
| 23 | 000526 | Gasket | パッキン | 1 |
| 24 | 2150040 | Needle Bar Bushing(Upper) | 針棒ブッシュ(上) | 1 |
| 25 | 310109 | Oil Wick | 油芯 | 1 |
| 26 | 2150041 | Needle Bar Bushing(Lower) | 針棒ブッシュ(下) | 1 |
| 27 | 2150046 | Upper Looper Driving Shaft Bushing(Front) | 上ルーバ軸ブッシュ(前) | 1 |
| 28 | 2150047 | Upper Looper Driving Shaft Bushing(Rear) | 上ルーバ軸ブッシュ(後) | 1 |
| 29 | 2100272 | Looper Driving Shaft Oil Seal | ルーバ軸オイルシール | 1 |
| 30 | 2150044 | Lower Looper Driving Shaft Bushing(Front) | 下ルーバ軸ブッシュ(前) | 1 |
| 31 | 2150045 | Lower Looper Driving Shaft Bushing(Rear) | 下ルーバ軸ブッシュ(後) | 1 |
| 32 | 2150042 | Feed Bar Driving Shaft Bushing(Left) | 送り軸ブッシュ(左) | 1 |
| 33 | 2150069 | Seal Plug | 詰栓 | 1 |
| 34 | 2100098 | Control Lever Shaft Bushing | 送り調節レバー軸ブッシュ | 1 |
| 35 | 2150050 | Needle Bar & Needle Bar Bushing, C. Set | 針棒 · 針棒ブッシュ(組) | 1 |
| 36 | 2100642 | Needle Bar | 針棒 | 1 |



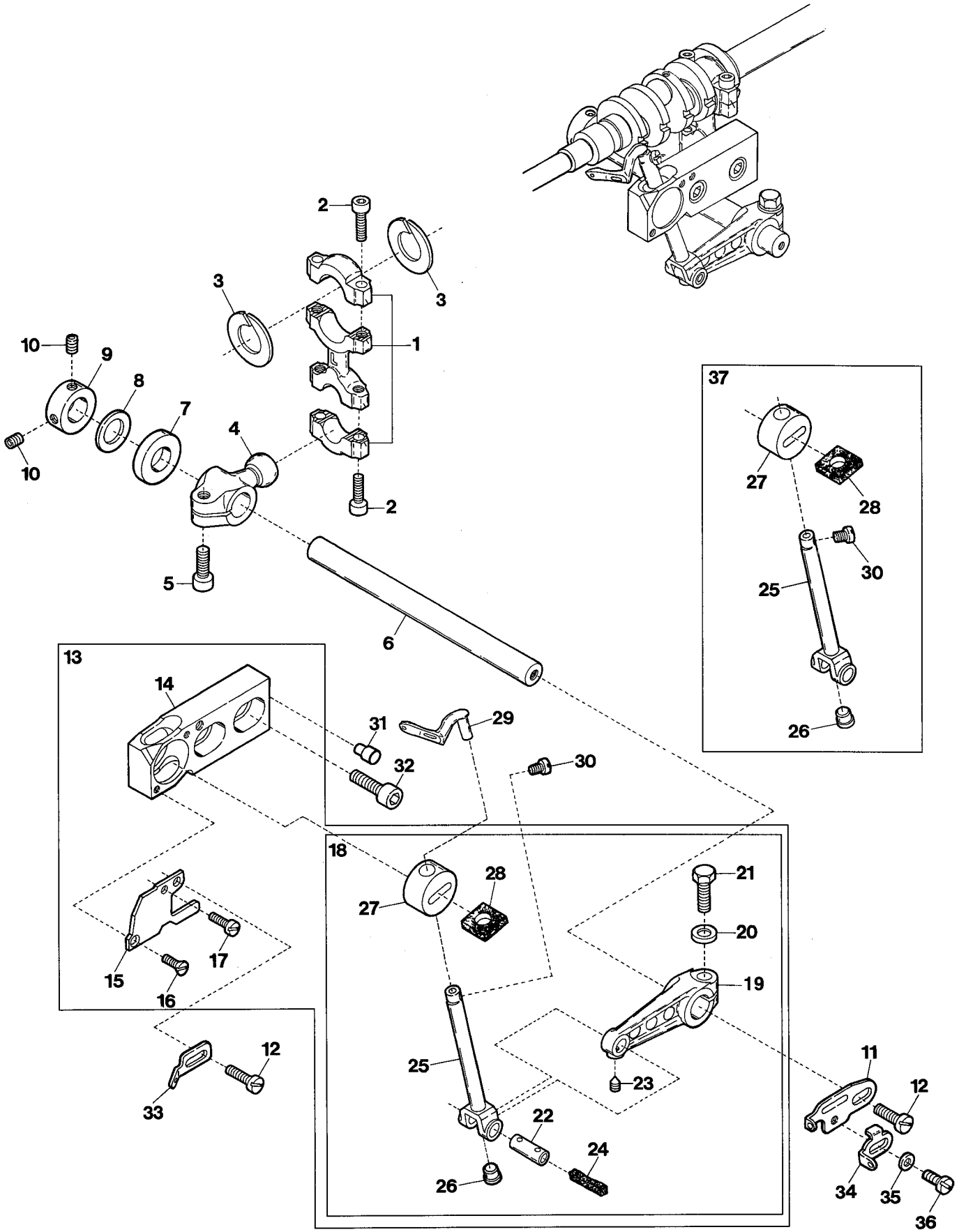
| Ref.No | Parts No. | Description | 品名 | Amt. Req |
|--------|-----------|---------------------------------------|-------------|----------|
| 1 | 2150105 | Needle Bar Driving Connecting Rod | 針棒ロッド | 1 |
| 2 | 120049 | Screw(M4-0.7 × 16) | 止ネジ | 2 |
| 3 | 2100144 | Needle Bar Driving Connecting Rod Pin | 針棒クランクピン | 1 |
| 4 | 160002 | Screw(M4-0.7 × 5) | 止ネジ | 1 |
| 5 | 2100899 | Needle Bar Driving Lever | 針棒クランク軸腕 | 1 |
| 6 | 120006 | Screw(M6-1 × 12) | 止ネジ | 1 |
| 7 | 2100137 | Collar(12 × 20 × 10mm) | カラー | 1 |
| 8 | 160003 | Screw(M5-0.8 × 5) | 止ネジ | 2 |
| 9 | 2150054 | Needle Bar Crank Arm, C. Set | 針棒クランク(組) | 1 |
| 10 | 2150053 | Needle Bar Driving Shaft | 針棒クランク軸 | 1 |
| 11 | 2100136 | Needle Bar Crank Arm | 針棒クランク | 1 |
| 12 | 300008 | Washer | ワッシャ | 1 |
| 13 | 140003 | Screw(M6-1 × 18) | 止ネジ | 1 |
| 14 | 2100138 | Needle Bar Connecting Link | 針棒リンク | 1 |
| 15 | 2100176 | Needle Bar Connecting Link Pin | 針棒リンクピン | 2 |
| 16 | 310089 | Oil Wick | 油芯 | 2 |
| 17 | 2150051 | Needle Bar Connecting Bracket | 針棒抱キ | 1 |
| 18 | 110006 | Screw(M3.5-0.6 × 10) | 止ネジ | 1 |
| 19 | 160016 | Screw(M4-0.7 × 4.5) | 止ネジ | 2 |
| 20 | 2100642 | Needle Bar | 針棒 | 1 |
| 21 | 2159106 | Needle Clamp(Y) | 針止メ | 1 |
| 22 | — | Needle(System : DC × 1) | 針 | 2 |
| 23 | 001900 | Screw(1/8-44 × 2.5) | 止ネジ | 2 |
| 24 | 2150057 | Stitch Plate Support Stay, C. Set | 針板取付台支エ(組) | 1 |
| 25 | 2150058 | Stitch Plate Support Stay | 針板取付台支エ | 1 |
| 26 | 000035 | Roll Pin | ロールピン | 1 |
| 27 | 110009 | Screw(M4-0.7 × 8) | 止ネジ | 6 |
| 28 | 2100502 | Stitch Plate Support(Rear) | 針板取付台(後) | 1 |
| 29 | 110001 | Screw(M4-0.7 × 5.4) | 止ネジ | 1 |
| 30-1 | 2158043 | Stitch Plate(Y5) | 針板 | 1 |
| 30-2 | 2158044 | Stitch Plate(Y6) | 針板 | 1 |
| 31 | 005345 | Screw(11/64-40 × 8.3) | 止ネジ | 2 |
| 32 | 2100145 | Stitch Plate Support(Front) | 針板取付台(前) | 1 |
| 33 | 110011 | Screw(M5-0.8 × 10) | 止ネジ | 2 |
| 34 | 0032604 | Rubber Cushion | 埋メ座 | 1 |
| 35 | 2159206 | Needle Guard(Front) | 針受ケ(前) | 1 |
| 36 | 110002 | Screw(M3-0.5 × 5) | 止ネジ | 1 |
| 37 | 2150035 | HR Unit, Complete Set | HR装置(組) | 1 |
| 38 | 3100370 | Tube Joint | パイプ継手 | 1 |
| 39 | 2100152 | Oil Tube(70mm) | 給油パイプ(70mm) | 1 |
| 40 | 310005 | Oil Wick | 油芯 | 1 |
| 41 | 2100533 | HR Felt Holder | HRフェルト受ケ | 1 |
| 42 | 310001 | HR Felt | HRフェルト | 1 |
| 43 | 2100535 | HR Felt Holder Bracket, C. Set | HR取付台(組) | 1 |
| 44 | 2100536 | HR Felt Holder Bracket | HR取付台 | 1 |
| 45 | 000393 | Roll Pin | ロールピン | 1 |
| 46 | 110013 | Screw(M4-0.7 × 8) | 止ネジ | 1 |
| 47 | 320008 | Fitting Stud(Short) | 管継手ボルト(短) | 1 |
| 48 | 000567 | Seal | パッキン | 1 |
| 49 | 2150150 | HR Unit Bracket | HR装置台 | 1 |



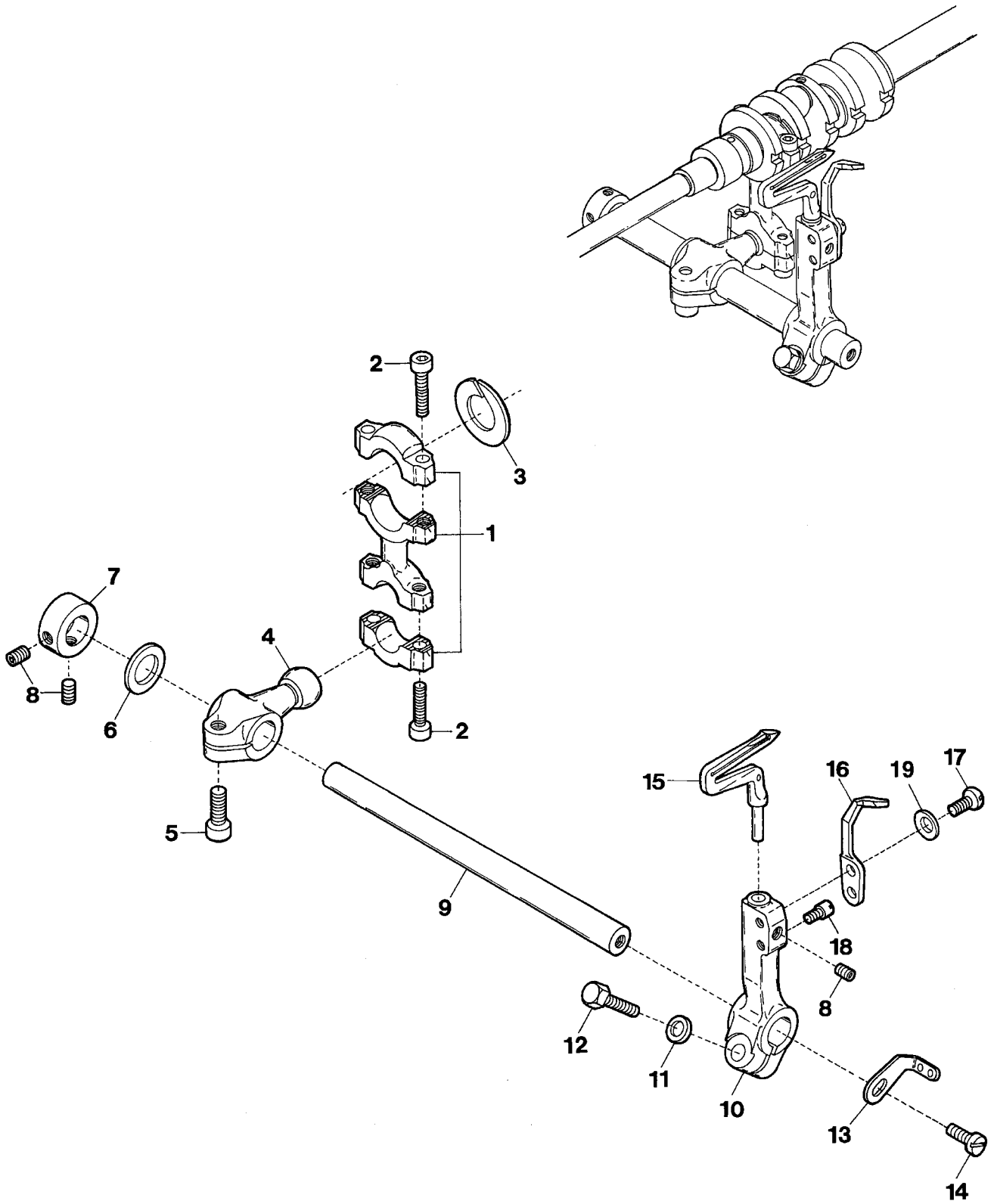
| Ref.No | Parts No. | Description | 品名 | Amt. Req |
|--------|-----------|------------------------------------|-----------|----------|
| 1 | 2150428 | Upper Knife Driving Connecting Rod | 上メスロッド | 1 |
| 2 | 120049 | Screw(M4-0.7 × 16) | 止ネジ | 2 |
| 3 | 2100173 | Driving Lever Pin | 上メス軸腕ピン | 1 |
| 4 | 160002 | Screw(M4-0.7 × 5) | 止ネジ | 1 |
| 5 | 2100162 | Upper Knife Driving Lever | 上メス軸腕 | 1 |
| 6 | 120006 | Screw(M6-1 × 12) | 止ネジ | 1 |
| 7 | 2100161 | Collar(10 × 19 × 9mm) | カラー | 1 |
| 8 | 160003 | Screw(M5-0.8 × 5) | 止ネジ | 2 |
| 9 | 2150060 | Upper Knife Driving Shaft | 上メス軸 | 1 |
| 10 | 2100165 | Upper Knife Holder Positioner | 上メスホルダピン | 1 |
| 11 | 2100164 | Upper Knife Holder(Flat Type) | 上メスホルダ(平) | 1 |
| 12 | 110035 | Screw(M4-0.7 × 10) | 止ネジ | 1 |
| 13 | 0020496 | Upper Knife(Flat Type) | 上メス(平) | 1 |
| 14 | 000532 | Washer | ワッシャ | 1 |
| 15 | 110004 | Screw(M3-0.6 × 8) | 止ネジ | 1 |
| 16 | 0093864 | Seal Plug | 詰栓 | 1 |
| 17 | 2150020 | Lower Knife Holder Spring Stop | 下メスバネ受ケ | 1 |
| 18 | 110012 | Screw(M4-0.7 × 5) | 止ネジ | 3 |
| 19 | 2100174 | Cloth Plate Rubber Cushion | 緩衝ゴム | 1 |
| 20 | 2150019 | Front Cover | 前カバー | 1 |
| 21 | 110001 | Screw(M4-0.7 × 5.4) | 止ネジ | 2 |
| 22 | 2100009 | Cloth Plate Spring Pin | バネ受ケピン | 1 |
| 23 | 2150021 | Lower Knife Holder Locking Plate | 下メス台回り止メ | 1 |
| 24 | 0032919 | Lower Knife Holder Spring | 下メスバネ | 1 |
| 25 | 2100166 | Lower Knife Holder | 下メス台 | 1 |
| 26 | 110046 | Screw(M5-0.8 × 12) | 止ネジ | 1 |
| 27 | 000688 | Guide Pin | ガイドピン | 1 |
| 28 | 2100167 | Lower Knife | 下メス | 1 |
| 29 | 2100168 | Lower Knife Clamp | 下メス押エ | 1 |
| 30 | 140014 | Screw(M4-0.7 × 8) | 止ネジ | 1 |



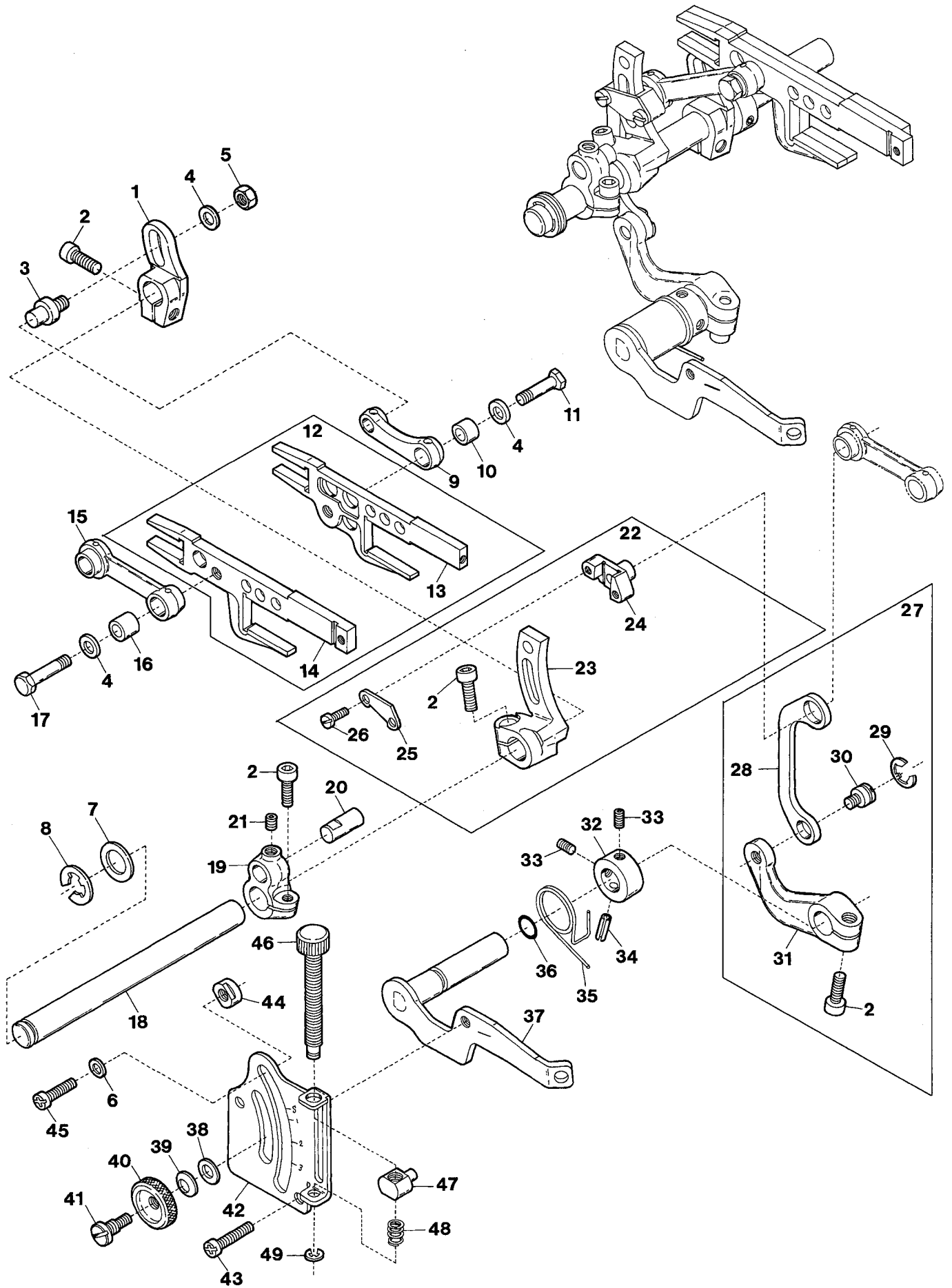
| Ref.No | Parts No. | Description | 品名 | Amt. Req |
|--------|-----------|-----------------------------------|-------------|----------|
| 1 | 190088 | Adjusting Screw(M10-0.75 × 30) | 調節ネジ | 1 |
| 2 | 100073 | Lock Nut | ロックナット | 1 |
| 3 | 2150149 | Presser Spring | 押エバネ | 1 |
| 4 | 2150159 | Presser Bar | 押工棒 | 1 |
| 5 | 2100580 | Presser Arm Positioning Guide Pin | 押工腕案内ピン | 1 |
| 6 | 340061 | Spring Pin | スプリングピン | 1 |
| 7 | 2150156 | Presser Arm Stop | 押工腕ストッパ | 1 |
| 8 | 110012 | Screw(M4-0.7 × 5) | 止ネジ | 1 |
| 9 | 2150155 | Presser Foot Release Lever | 手揚げ | 1 |
| 10 | 2150148 | Presser Foot Release Lever Spring | 手揚げバネ | 1 |
| 11 | 170045 | Screw(M4-0.7 × 5) | 止ネジ | 1 |
| 12 | 180001 | Screw(M4-0.7 × 4.5) | バネ掛ケネジ | 1 |
| 13 | 2150143 | Presser Foot Lifter Lever | 押工揚げレバー | 1 |
| 14 | | | | |
| 15 | 170065 | Screw(M8-1.25 × 10) | 止ネジ | 1 |
| 16 | 2150142 | Presser Foot Lifter Lever Stop | 押工揚げレバーストッパ | 1 |
| 17 | 120010 | Screw(M6-1 × 10) | 止ネジ | 1 |
| 18 | 2150144 | Presser Foot Lifter Lever Link | 押工揚げレバーリンク | 1 |
| 19 | 2100518 | Presser Foot Shaft Collar | 押工軸カラー | 1 |
| 20 | 120017 | Screw(M5-0.8 × 15) | 止ネジ | 1 |
| 21 | 2100192 | Intermediate Lever | 押工軸レバー | 1 |
| 22 | 110065 | Stop Screw(M4-0.7 × 12) | ストップネジ | 1 |
| 23 | 100001 | Lock Nut | ロックナット | 1 |
| 24 | 2150139 | Presser Foot Lifter Lever Spring | 押工揚げレバーバネ | 1 |
| 25 | 2100099 | Presser Foot Shaft Bushing | 押工軸ブッシュ | 1 |
| 26 | 160007 | Screw(M6-1 × 6) | 止ネジ | 1 |
| 27 | 2150140 | Presser Arm, Complete Set | 押工腕(組) | 1 |
| 28 | 2100189 | Presser Foot Shaft | 押工軸 | 1 |
| 29 | 2150141 | Presser Arm | 押工腕 | 1 |
| 30 | 2100199 | Presser Arm Hinge Pin | 押工腕ヒンジピン | 1 |
| 31 | 160001 | Screw(M4-0.7 × 4) | 止ネジ | 1 |
| 32-1 | 2157057 | Presser Foot, C. Set(Y5) | 押工(組) | 1 |
| 32-2 | 2157058 | Presser Foot, C. Set(Y6) | 押工(組) | 1 |
| 33 | 2157000 | Presser Foot Hinge | 押工ヒンジ | 1 |
| 34 | 110004 | Screw(M3.5-0.6 × 8) | 止ネジ | 1 |
| 35 | 2157040 | Presser Foot Half-stay | 半固定片 | 1 |
| 36 | 110050 | Screw(M3.5-0.6 × 4.5) | 止ネジ | 1 |
| 37 | 2157020 | Presser Foot(Lower) | 押工(下) | 1 |
| 38 | 0034535 | Thread Chain Guide | 空環ガイド | 1 |
| 39 | 004237 | Screw(3/32-56 × 2.6) | 止ネジ | 1 |
| 40-1 | 2157205 | Presser Foot Stitch Tongue(Y5) | 爪 | 1 |
| 40-2 | 2157206 | Presser Foot Stitch Tongue(Y6) | 爪 | 1 |
| 41 | 2107643 | Finger Guard | フィンガガード | 1 |
| 42 | 000444 | Washer | ワッシャ | 1 |
| 43 | 005036 | Screw(1/8-44 × 5.6) | 止ネジ | 1 |
| 44 | 0020271 | Thread Chain Cutting Knife | チェーンカッタ | 1 |
| 45 | 004097 | Screw(3/32-56 × 4.2) | 止ネジ | 1 |
| 46 | 2150158 | Presser Bar, C. Set | 押工棒(組) | 1 |



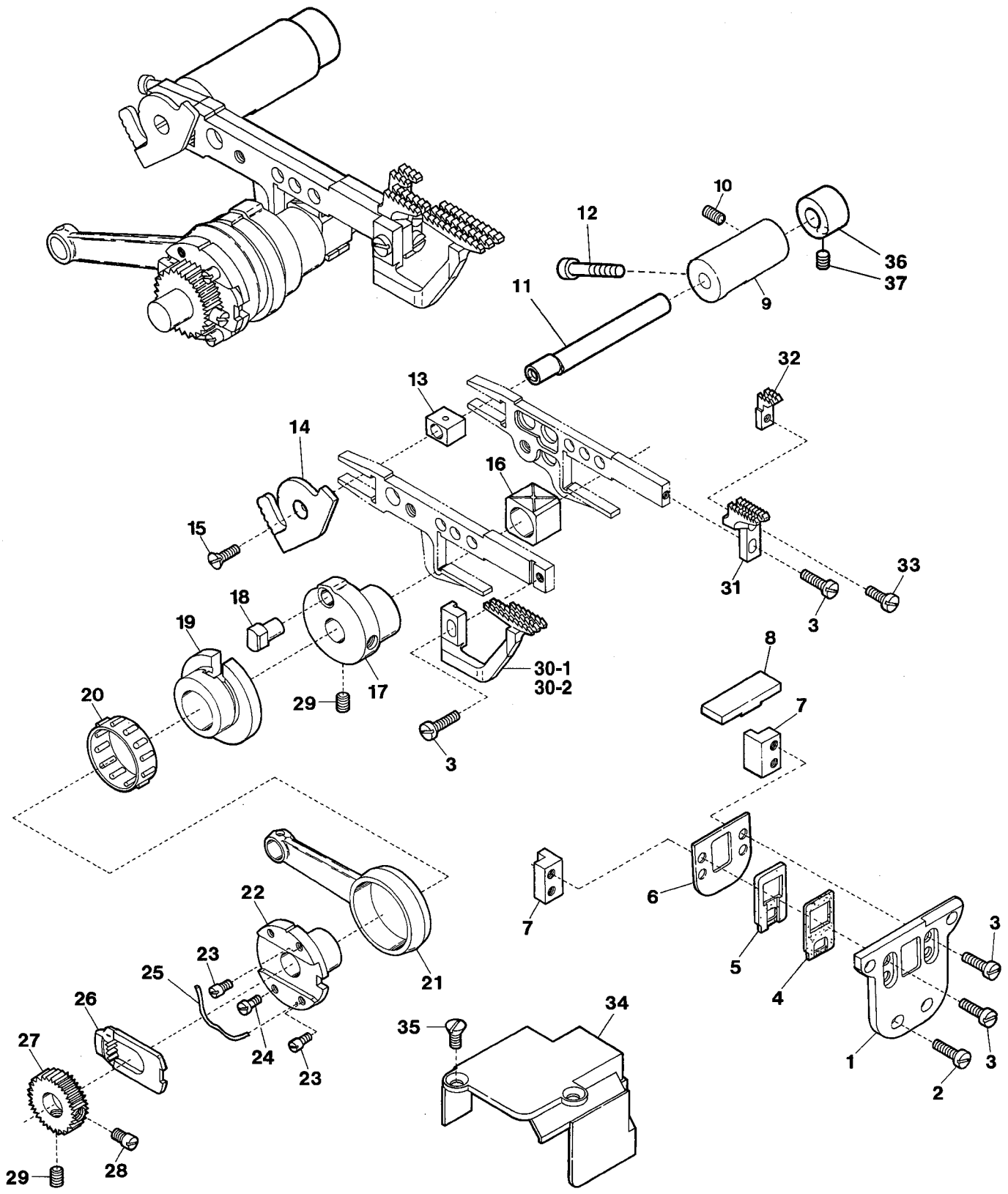
| Ref.No | Parts No. | Description | 品名 | Amt. Req |
|--------|-----------|--|------------------|----------|
| 1 | 2100900 | Looper Driving Lever Connecting Rod | ルーパロッド | 1 |
| 2 | 120049 | Screw(M4-0.7 × 16) | 止ネジ | 4 |
| 3 | 2100088 | Connecting Rod Swing-proof | 振れ止め | 2 |
| 4 | 2150225 | Upper Looper Driving Lever | 上ルーパ軸腕 | 1 |
| 5 | 120006 | Screw(M6-1 × 12) | 止ネジ | 1 |
| 6 | 2150070 | Looper Driving Shaft | 上ルーパ軸 | 1 |
| 7 | 2160051 | Driving Shaft Thrust Ring | スラストリング | 1 |
| 8 | 2150075 | Driving Shaft Thrust Ring | スラストリング | 1 |
| 9 | 2100161 | Collar(10 × 19 × 9mm) | カラー | 1 |
| 10 | 160001 | Screw(M4-0.7 × 4) | 止ネジ | 2 |
| 11 | 2150130 | Upper Looper Thread Pull-off | 上ルーパ糸繰り | 1 |
| 12 | 110009 | Screw(M4-0.7 × 8) | 止ネジ | 2 |
| 13 | 2150429 | Upper Looper Bar Crank Arm, C. Set | 上ルーパクランク(組) | 1 |
| 14 | 6200114 | Upper Looper Bar Guide Bushing | ルーパ案内メタル | 1 |
| 15 | 2100227 | Upper Looper Bar Guide Cover | ルーパ案内蓋 | 1 |
| 16 | 130001 | Screw(M2.5-0.45 × 6) | 止ネジ | 1 |
| 17 | 110071 | Screw(M2.5-0.45 × 6) | 止ネジ | 1 |
| 18 | 2100884 | Upper Looper Bar Guide, Complete Set | ルーパ案内(組) | 1 |
| 19 | 2100221 | Upper Looper Bar Crank Arm | 上ルーパクランク | 1 |
| 20 | 300008 | Washer | ワッシャ | 1 |
| 21 | 140004 | Screw(M6-1 × 16) | 止ネジ | 1 |
| 22 | 2100903 | Upper Looper Bar Crank Arm Pin | 上ルーパクランクピン | 1 |
| 23 | 160002 | Screw(M4-0.7 × 5) | 止ネジ | 1 |
| 24 | 310089 | Oil Wick | 油芯 | 1 |
| 25 | 2100667 | Upper Looper Bar | ルーパ棒 | 1 |
| 26 | 000629 | Seal Plug | 詰栓 | 1 |
| 27 | 2100892 | Upper Looper Bar Guide | ルーパ案内 | 1 |
| 28 | 310065 | Oiling Felt | フェルト | 1 |
| 29 | 2109323 | Upper Looper(for Needle Size #9~14) | 上ルーパ(針番手 #9~14用) | 1 |
| 30 | 210009 | Screw(1/8-44 × 3.2) | 止ネジ | 1 |
| 31 | 2150430 | Standard Pin | 基準ピン | 1 |
| 32 | 120013 | Screw(M6-1 × 15) | 止ネジ | 2 |
| 33 | 2100854 | Upper Looper Supplementary Thread Eyelet | 上ルーパ補助糸道 | 1 |
| 34 | 2100851 | Lower Looper Thread Pull-off | 下ルーパ糸繰り | 1 |
| 35 | 000014 | Washer | ワッシャ | 1 |
| 36 | 110002 | Screw(M3-0.5 × 5) | 止ネジ | 1 |
| 37 | 2100890 | Upper Looper Bar, C. Set | ルーパ棒(組) | 1 |



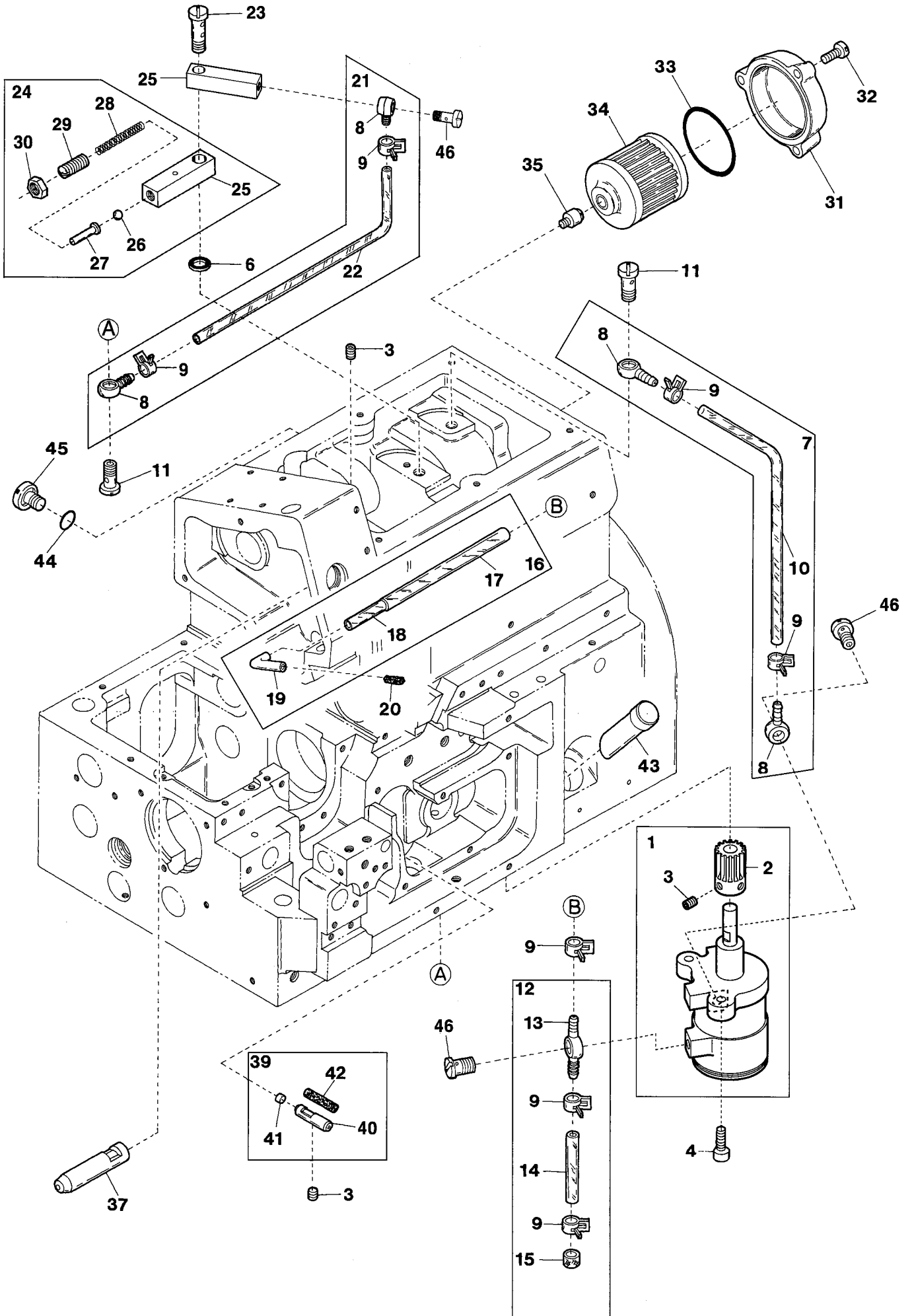
| Ref.No | Parts No. | Description | 品名 | Amt. Req |
|--------|-----------|-------------------------------------|----------|----------|
| 1 | 2100215 | Looper Driving Lever Connecting Rod | ルーパロッド | 1 |
| 2 | 120049 | Screw(M4-0.7 × 16) | 止ネジ | 4 |
| 3 | 2100088 | Connecting Rod Swing-proof | 振れ止め | 1 |
| 4 | 2150226 | Lower Looper Driving Lever | 下ルーパ軸腕 | 1 |
| 5 | 120006 | Screw(M6-1 × 12) | 止ネジ | 1 |
| 6 | 2100902 | Driving Shaft Thrust Ring | スラストプレート | 1 |
| 7 | 2100161 | Collar(10 × 19 × 9mm) | カラー | 1 |
| 8 | 160003 | Screw(M5-0.8 × 5) | 止ネジ | 3 |
| 9 | 2100219 | Looper Driving Shaft | ルーパ軸 | 1 |
| 10 | 2100211 | Lower Looper Holder Arm | 下ルーパ台 | 1 |
| 11 | 300008 | Washer | ワッシャ | 1 |
| 12 | 140002 | Screw(M6-1 × 14) | 止ネジ | 1 |
| 13 | 2150424 | Thread Pull-off | 下ルーパ台糸繰り | 1 |
| 14 | 110009 | Screw(M4-0.7 × 8) | 止ネジ | 1 |
| 15 | 2109347 | Lower Looper | 下ルーパ | 1 |
| 16 | 2159207 | Needle Guard(Rear) | 針受ケ(後) | 1 |
| 17 | 110036 | Screw(M3-0.5 × 6.5) | 止ネジ | 1 |
| 18 | 180014 | Screwed Pin(M3-0.5 × 4.5) | ピンネジ | 1 |
| 19 | 300106 | Conical Spring Washer | 皿バネワッシャ | 1 |



| Ref.No | Parts No. | Description | 品名 | Amt. Req |
|--------|-----------|--|-------------|----------|
| 1 | 2150064 | Main Feed Bar Lever | 後送りレバー | 1 |
| 2 | 120006 | Screw(M6-1 × 12) | 止ネジ | 4 |
| 3 | 2100251 | Main Feed Bar Lever Pin | 後送りレバーピン | 1 |
| 4 | 300000 | Washer | ワッシャ | 3 |
| 5 | 100002 | Nut | ナット | 1 |
| 6 | 000669 | Washer | ワッシャ | 2 |
| 7 | 2150075 | Thrust Plate | スラストプレート | 1 |
| 8 | 0095027 | Retaining Ring | ストップリング | 1 |
| 9 | 2100248 | Main Feed Bar Connection | 後送りリンク | 1 |
| 10 | 2100249 | Connection Bushing | 後送りリンクブッシュ | 1 |
| 11 | 140001 | Screw(M5-0.5 × 12) | 止ネジ | 1 |
| 12 | 2100266 | Feed Bar, Complete Set | 前後送り台(組) | 1 |
| 13 | 2100242 | Main Feed Bar | 後送り台 | 1 |
| 14 | 2100241 | Differential Feed Bar | 前送り台 | 1 |
| 15 | 2100243 | Differential Feed Bar Connection | 前送りリンク | 1 |
| 16 | 2100244 | Connection Bushing | 前送りリンクブッシュ | 1 |
| 17 | 140000 | Screw(M5-0.5 × 15.5) | 止ネジ | 1 |
| 18 | 2150065 | Feed Bar Driving Shaft | 送り軸 | 1 |
| 19 | 2150066 | Feed Bar Driving Shaft Lever | 送り軸腕 | 1 |
| 20 | 2100288 | Connecting Rod Pin | 送りロッドピン | 1 |
| 21 | 160007 | Screw(M6-1 × 6) | 止ネジ | 1 |
| 22 | 2100671 | Differential Rocker, Complete Set | 前送り腕(組) | 1 |
| 23 | 2100672 | Differential Rocker | 前送り腕 | 1 |
| 24 | 2100673 | Differential Regulating Slider | スライダ | 1 |
| 25 | 2100674 | Differential Regulating Slider Cap | スライダ蓋 | 1 |
| 26 | 110033 | Screw(M3-0.5 × 6) | 止ネジ | 2 |
| 27 | 2100269 | Differential Lever(Right), C. Set | 差動レバー(右)(組) | 1 |
| 28 | 2100252 | Slider Link | スライダリンク | 1 |
| 29 | 0068202 | Retaining Ring | ストップリング | 1 |
| 30 | 2100253 | Slider Link Pin | スライダリンクピン | 1 |
| 31 | 2100262 | Differential Lever(Right) | 差動レバー(右) | 1 |
| 32 | 2100267 | Collar(10 × 17 × 8mm) | カラー | 1 |
| 33 | 160001 | Screw(M4-0.7 × 4) | 止ネジ | 2 |
| 34 | 000690 | Spring Pin | スプリングピン | 1 |
| 35 | 2100256 | Differential Lever Spring | 差動レバーバネ | 1 |
| 36 | 0020538 | O-ring(P7) | Oリング | 1 |
| 37 | 2100263 | Differential Lever(Left) | 差動レバー(左) | 1 |
| 38 | 000528 | Washer | ワッシャ | 1 |
| 39 | 000561 | Conical Spring Washer | 皿バネワッシャ | 1 |
| 40 | 100000 | Adjusting Nut | 調節ナット | 1 |
| 41 | 190001 | Adjusting Screw(M6-1 × 11.5, M4.5-0.5 × 4) | 調節ネジ | 1 |
| 42 | 2100271 | Differential Feed Graduation | 送り目盛板 | 1 |
| 43 | 110016 | Screw(M4-0.7 × 15) | 止ネジ | 2 |
| 44 | 0020350 | Differential Lever Stop | 差動レバーストップ | 2 |
| 45 | 110017 | Screw(M5-0.8 × 8) | 止ネジ | 2 |
| 46 | 2100257 | Adjusting Screw | アジャスタ | 1 |
| 47 | 2100264 | Adjusting Block | アジャスタ駒 | 1 |
| 48 | 2100259 | Adjusting Block Spring | アジャスタバネ | 1 |
| 49 | 0034293 | Retaining Ring | ストップリング | 1 |

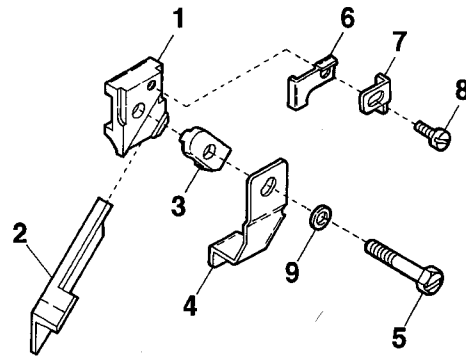


| Ref.No | Parts No. | Description | 品名 | Amt. Req |
|--------|-----------|----------------------------------|-------------|----------|
| 1 | 2100865 | Feed Bar Guide Support | 送り台ガイドサポート | 1 |
| 2 | 110064 | Screw(M4-0.7 × 8) | 止ネジ | 4 |
| 3 | 110004 | Screw(M3.5-0.6 × 8) | 止ネジ | 5 |
| 4 | 2100866 | Feed Bar Shield(Front) | 送り台シール(前) | 1 |
| 5 | 2100867 | Feed Bar Shield(Rear) | 送り台シール(後) | 1 |
| 6 | 2100869 | Feed Bar Shield Guide | 送り台シールガイド | 1 |
| 7 | 2100870 | Feed Bar Guide | 送り台ガイド | 2 |
| 8 | 2100868 | Feed Bar Shield(Upper) | 送り台シール(上) | 1 |
| 9 | 2150063 | Feed Bar Guide Bushing | 送り台ガイドブッシュ | 1 |
| 10 | 160007 | Screw(M6-1 × 6) | 止ネジ | 1 |
| 11 | 2150290 | Feed Bar Block(Rear) Shaft | 角駒(後)軸 | 1 |
| 12 | 120027 | Screw(M4-0.7 × 25) | 止ネジ | 1 |
| 13 | 2100283 | Feed Bar Block(Rear) | 角駒(後) | 1 |
| 14 | 2150289 | Feed Bar Block(Rear) Lid | 角駒(後)蓋 | 1 |
| 15 | 130002 | Screw(M3-0.5 × 6) | 止ネジ | 1 |
| 16 | 2100280 | Feed Bar Block(Front) | 角駒(前) | 1 |
| 17 | 2100284 | Eccentric Pin Holder | 送りエキセンピン取付台 | 1 |
| 18 | 0020401 | Feed Dog Eccentric Pin | 送りエキセンピン | 1 |
| 19 | 2100277 | Feed Dog Eccentric | 送りエキセン | 1 |
| 20 | 2100278 | Roller Bearing | ニードルベアリング | 1 |
| 21 | 2100275 | Feed Dog Driving Connecting Rod | 送りロッド | 1 |
| 22 | 2100276 | Feed Dog Regulating Eccentric | 送り調節エキセン | 1 |
| 23 | 180002 | Screw(M3-0.5 × 4) | 止ネジ | 2 |
| 24 | 110070 | Screw(M3-0.5 × 6.3) | 止ネジ | 1 |
| 25 | 2100289 | Feed Dog Regulating Plate Spring | 送り調節プレートバネ | 1 |
| 26 | 0023473 | Feed Dog Regulating Plate | 送り調節プレート | 1 |
| 27 | 2100279 | Feed Dog Regulating Gear | 送り調節ギア | 1 |
| 28 | 180003 | Screw(M5-0.8 × 8) | 止ネジ | 1 |
| 29 | 160003 | Screw(M5-0.8 × 5) | 止ネジ | 3 |
| 30-1 | 2109005 | Differential Feed Dog(Y5) | 前送り | 1 |
| 30-2 | 2109009 | Differential Feed Dog(Y6) | 前送り | 1 |
| 31 | 2109006 | Main Feed Dog | 後送り | 1 |
| 32 | 2109067 | Auxiliary Feed Dog | 小送り | 1 |
| 33 | 110026 | Screw(M3-0.5 × 6) | 止ネジ | 1 |
| 34 | 2150067 | Connecting Rod Cover | 送りロッドカバー | 1 |
| 35 | 130003 | Screw(M4-0.7 × 7.3) | 止ネジ | 2 |
| 36 | 2150291 | Collar(7 × 15 × 10mm) | カラー | 1 |
| 37 | 160001 | Screw(M4-0.7 × 25) | 止ネジ | 1 |

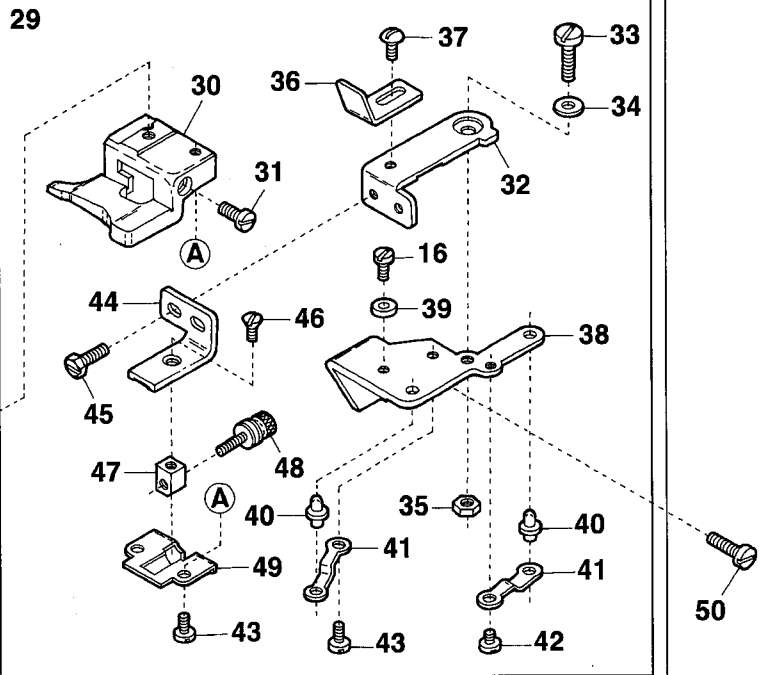
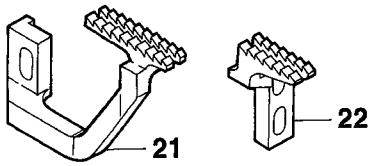
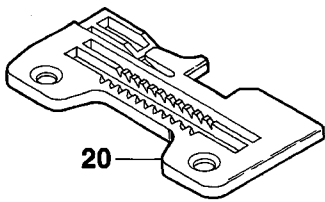
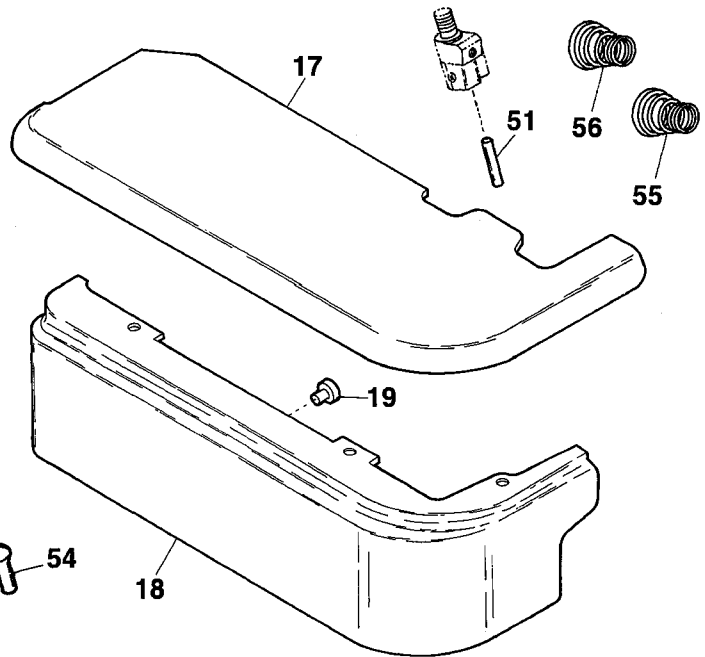
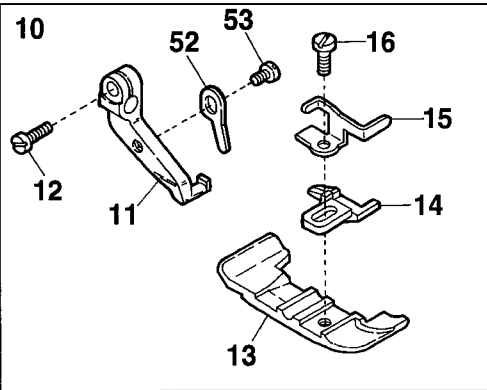


| Ref.No | Parts No. | Description | 品名 | Amt. Req |
|--------|-----------|---------------------------------------|-------------|----------|
| 1 | 2150714 | Oil Pump, Complete Set | ポンプ(組) | 1 |
| 2 | 2150104 | Worm Wheel | ウオームホイール | 1 |
| 3 | 160001 | Screw(M4-0.7 × 4) | 止ネジ | 4 |
| 4 | 120049 | Screw(M4-0.7 × 16)[M4-0.7 × 15] | 止ネジ | 2 |
| 5 | | | | |
| 6 | 000567 | Seal | パッキン | 1 |
| 7 | 2150723 | Oil Tube, Complete Set | 給油パイプ(組) | 1 |
| 8 | 3100370 | Oil Tube Fitting One Way End | 片口管継手 | 4 |
| 9 | 0031831 | Oil Tube Clamp | 緊束環 | 7 |
| 10 | 2150724 | Oil Tube(4.6 × 6.4 × 242.5mm) | 給油パイプ | 1 |
| 11 | 320008 | Oil Tube Fitting Stud(M6-1) | 管継手ボルト | 2 |
| 12 | 2150722 | Suction Tube, C. Set | 吸入パイプ(組) | 1 |
| 13 | 3100371 | Oil Tube Fitting Two Way | 両口管継手 | 1 |
| 14 | 2110261 | Oil Tube(4.6 × 6.4 × 15mm) | 給油パイプ | 1 |
| 15 | 2100957 | Oil Filter | 濾過網 | 1 |
| 16 | 2150725 | Suction Pipe(Upper), C. Set | 吸入パイプ(上)(組) | 1 |
| 17 | 2150726 | Suction Tube(4 × 6 × 200mm) | 吸入パイプ | 1 |
| 18 | 2100928 | Suction Tube(2.5 × 4 × 60mm) | 吸入パイプ | 1 |
| 19 | 2100929 | Suction Pipe(Upper) | 吸入パイプ(上) | 1 |
| 20 | 310073 | Felt | フェルト | 1 |
| 21 | 2150202 | Oil Tube, Complete Set | 給油パイプ(組) | 1 |
| 22 | 2150207 | Oil Tube(4.6 × 6.4 × 320mm) | 給油パイプ | 1 |
| 23 | 320009 | Oil Tube Fitting Stud(Long)(M6-1) | 管継手ボルト(長) | 1 |
| 24 | 2150710 | Oil Pressure Regulating Valve, C. Set | 調圧弁(組) | 1 |
| 25 | 2150713 | Oil Pressure Regulating Valve | 調圧弁 | 2 |
| 26 | 0080503 | Oil Pressure Regulating Ball | 調圧ボール弁 | 1 |
| 27 | 0030748 | Guide Pin | ガイドピン | 1 |
| 28 | 2150102 | Spring | バネ | 1 |
| 29 | 006861 | Adjusting Screw(1/4-40 × 5) | 調節ネジ | 1 |
| 30 | 000419 | Nut | ナット | 1 |
| 31 | 2150325 | Oil Filter Cap | オイルフィルタキャップ | 1 |
| 32 | 110045 | Screw(M4-0.7 × 12) | 止ネジ | 3 |
| 33 | 3100061 | O-ring(P42) | Oリング | 1 |
| 34 | 3100345 | Oil Filter | オイルフィルタ | 1 |
| 35 | 3100329 | Filter Housing | オイルフィルタ継手 | 1 |
| 36 | | | | |
| 37 | 2150056 | Oil Pipe | オイルパイプ | 1 |
| 38 | | | | |
| 39 | 2100896 | Oil Pipe, C. Set | オイルパイプ(組) | 1 |
| 40 | 2100895 | Oil Pipe | オイルパイプ | 1 |
| 41 | 000456 | Seal Plug | 詰栓 | 1 |
| 42 | 310090 | Oil Wick | 油芯 | 1 |
| 43 | 2100032 | Oil Sight Gauge | オイルゲージ | 1 |
| 44 | 0020538 | O-ring(P7) | Oリング | 1 |
| 45 | 110053 | Screw(M6-1 × 8) | 止ネジ | 1 |
| 46 | 320012 | Oil Tube Fitting Stud(1/4-40) | 管継手ボルト | 2 |
| 47 | 320016 | Oil Tube Fitting Stud(1/4-40) | 管継手ボルト | 1 |

UPPER KNIFE (Angled Type)



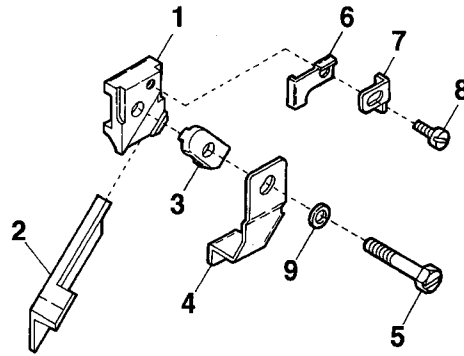
AZ7000G-04-8



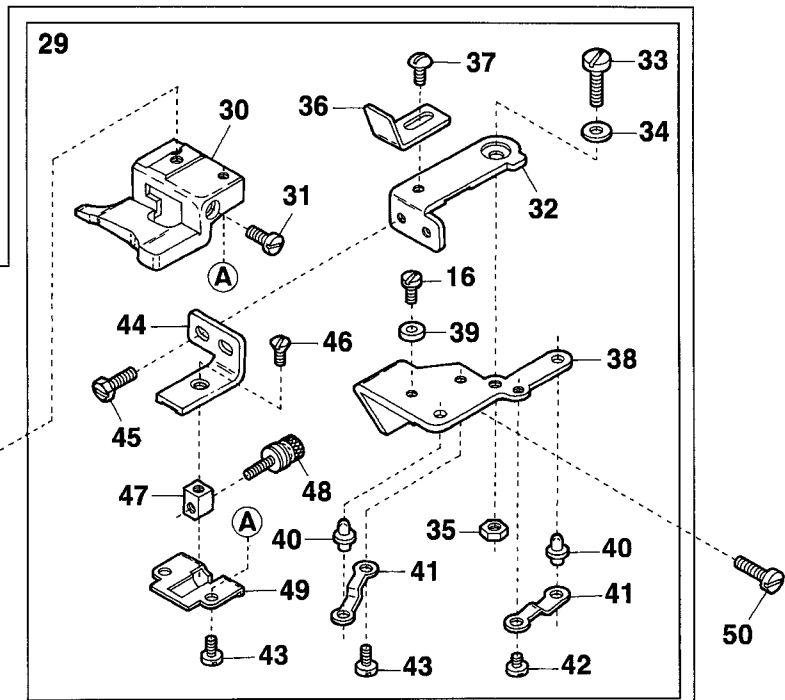
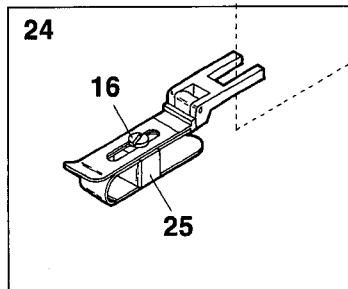
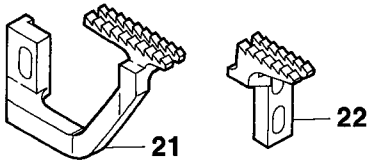
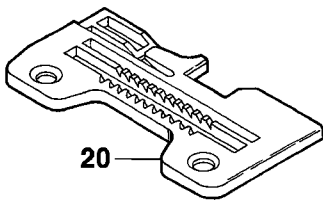
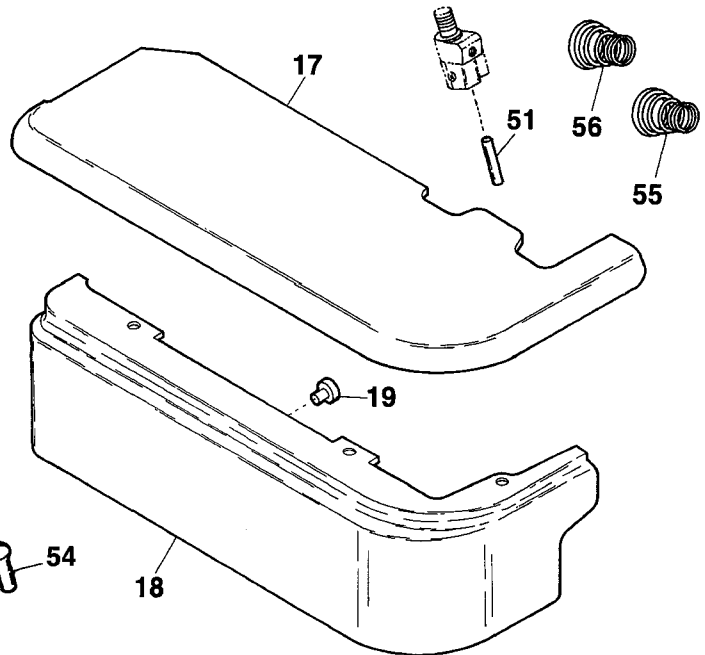
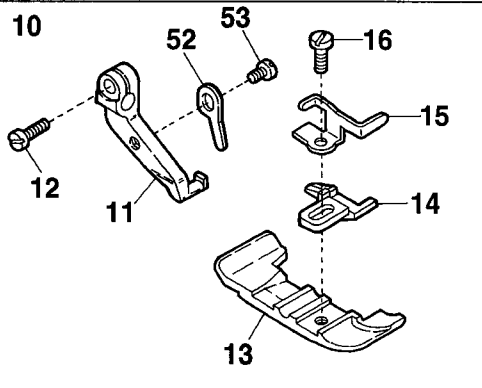
| Ref.No | Parts No. | Description | 品名 | Amt. Req |
|--------|-----------|----------------------------------|----------------|----------|
| 1 | 2100385 | Upper Knife Holder | 上メスホルダ(角) | 1 |
| 2 | 0020491 | Upper Knife | 上メス | 1 |
| 3 | 2101435 | Upper Knife Clamp | 上メス押エ | 1 |
| 4 | 2100354 | Upper Knife Chip Guard | 切屑押シ | 1 |
| 5 | 140012 | Screw(M4-0.7 × 18.5) | 止ネジ | 1 |
| 6 | 2100349 | Upper Knife Clamp Plate | 上メス押エ受け | 1 |
| 7 | 2100353 | Upper Knife Stop | 上メスストップ | 1 |
| 8 | 110038 | Screw(M2.5-0.45 × 4.5) | 止ネジ | 1 |
| 9 | 000665 | Washer | ワッシャ | 1 |
| 10 | 2157086 | Presser Foot, Complete Set(O4) | 押エ(組) | 1 |
| 11 | 2157000 | Presser Foot Hinge | 押エヒンジ | 1 |
| 12 | 110004 | Screw(M3.5-0.6 × 8) | 止ネジ | 1 |
| 13 | 2107030 | Presser Foot(Lower) | 押エ(下) | 1 |
| 14 | 2107004 | Presser Foot Stitch Tongue(O4) | 爪 | 1 |
| 15 | 2107640 | Finger Guard | フィンガガード | 1 |
| 16 | 005036 | Screw(1/8-44 × 5.6) | 止ネジ | 3 |
| 17 | 2100050 | Cloth Plate | クロスプレート | 1 |
| 18 | 2150211 | Cloth Plate(Lower) | クロスプレート(下) | 1 |
| 19 | 2100052 | Rubber Cushion | クロスプレート(下)埋メ座 | 1 |
| 20 | 2158040 | Stitch Plate(O4) | 針板 | 1 |
| 21 | 2109000 | Differential Feed Dog | 前送り | 1 |
| 22 | 2109001 | Main Feed Dog | 後送り | 1 |
| 23 | 2101027 | Blind-Hemming Guide, C. Set | 裾引定規(組) | 1 |
| 24 | 2101026 | Overhanging Guide Hinge, C. Set | 定規(組) | 1 |
| 25 | 0034867 | Hemming Positioner | 裾引幅調節片 | 1 |
| 26 | | | | |
| 27 | 000533 | Washer | ワッシャ | 1 |
| 28 | 007006 | Screw(9/64-40 × 4) | 止ネジ | 1 |
| 29 | 2101021 | Blind-Hemming Edge Guide, C. Set | 裾引定規台(組) | 1 |
| 30 | 2101020 | Blind-Hemming Edge Guide | 裾引定規台 | 1 |
| 31 | 009624 | Screw(1/8-44 × 5.3) | 止ネジ | 1 |
| 32 | 0022445 | Swing-out Lever | スイングアウトレバー | 1 |
| 33 | 004150 | Screw(11/64-40 × 5.2) | 止ネジ | 1 |
| 34 | 000172 | Conical Spring Washer | 皿バネワッシャ | 1 |
| 35 | 000334 | Nut | ナット | 1 |
| 36 | 0022446 | Overhanging Guide Hinge Stop | 定規ストップ | 1 |
| 37 | 001331 | Screw(9/64-40 × 3.8) | 止ネジ | 1 |
| 38 | 0022447 | Swing-out Lever Holder | スイングアウトレバー取付台 | 1 |
| 39 | 0022448 | Swing-out Lever Stop | スイングアウトレバーストップ | 1 |
| 40 | 0022435 | Edge Guide Positioning Pin | 定規固定ピン | 2 |

Ref. No 41 to 56 See the following page.

UPPER KNIFE (Angled Type)

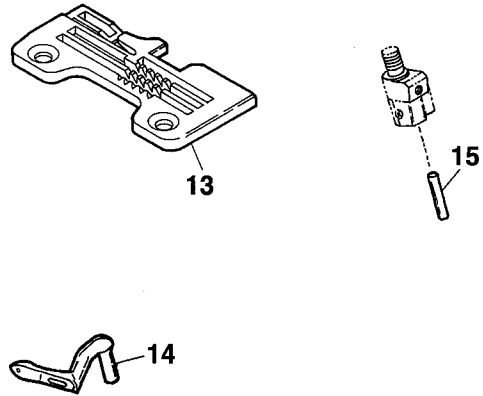
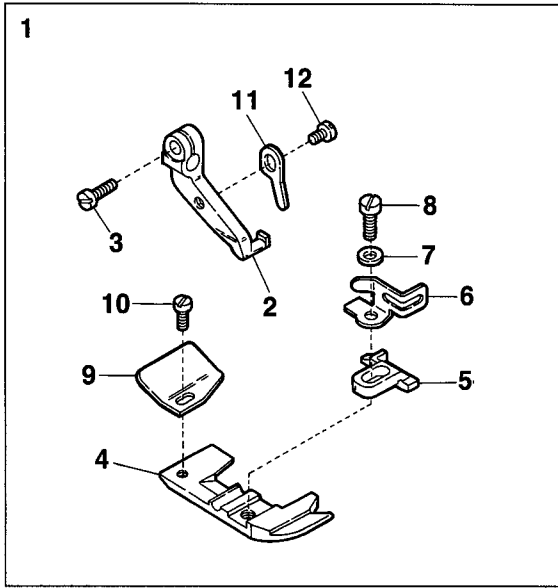


AZ7000G-04-8

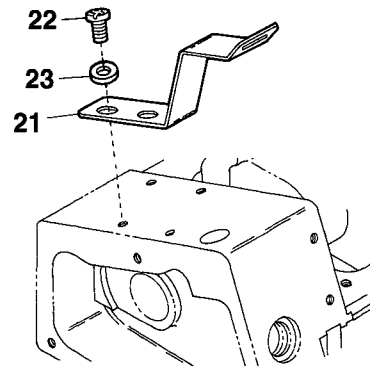
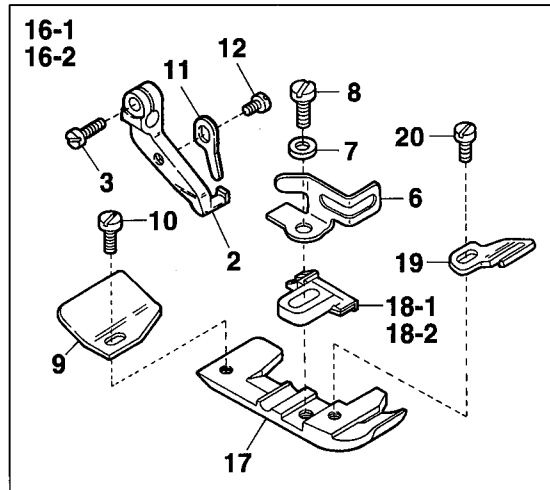


| Ref.No | Parts No. | Description | 品名 | Amt. Req |
|--------|-----------|------------------------------------|------------|----------|
| 41 | 0022436 | Positioning Pin Holder Spring | 定規固定ピン押エバネ | 2 |
| 42 | 001225 | Screw(1/8-44 × 2.8) | 止ネジ | 1 |
| 43 | 001196 | Screw(1/8-44 × 6) | 止ネジ | 3 |
| 44 | 2101022 | Edge Guide Adjusting Holder | 裾引調節台 | 1 |
| 45 | 004106 | Screw(9/64-40 × 6.5) | 止ネジ | 2 |
| 46 | 007619 | Screw(9/64-40 × 6.3) | 止ネジ | 1 |
| 47 | 0022443 | Adjusting Screw Guide Piece | 調節ネジガイド | 1 |
| 48 | 006444 | Adjusting Screw(1/8-44 × 12.9) | 調節ネジ | 1 |
| 49 | 0022444 | Edge Guide Adjusting Holder Cover | 裾引調節台蓋 | 1 |
| 50 | 110047 | Screw(M4-0.7 × 10) | 止ネジ | 2 |
| 51 | 0060297 | Pin | ピン | 1 |
| 52 | 2157040 | Presser Foot Half-stay | 半固定片 | 1 |
| 53 | 110050 | Screw(M3.5-0.6 × 4.5) | 止ネジ | 1 |
| 54 | 2109320 | Upper Looper | 上ルーパ | 1 |
| 55 | 0024157 | Needle Thread Tension Spring | 針糸調子バネ | 1 |
| 56 | 0024156 | Lower Looper Thread Tension Spring | 下ルーパ糸調子バネ | 1 |

AZ7003G-O4-8

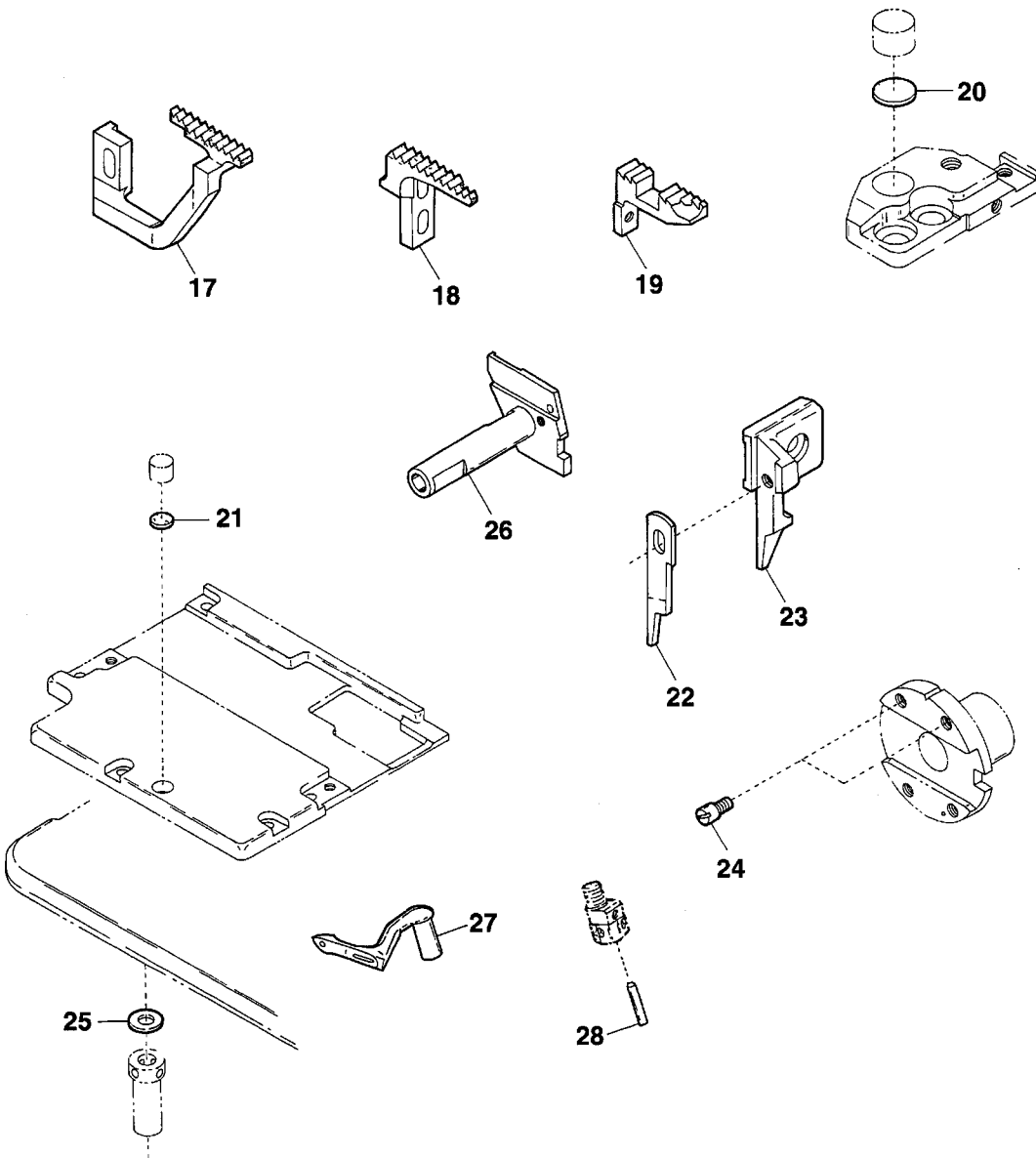
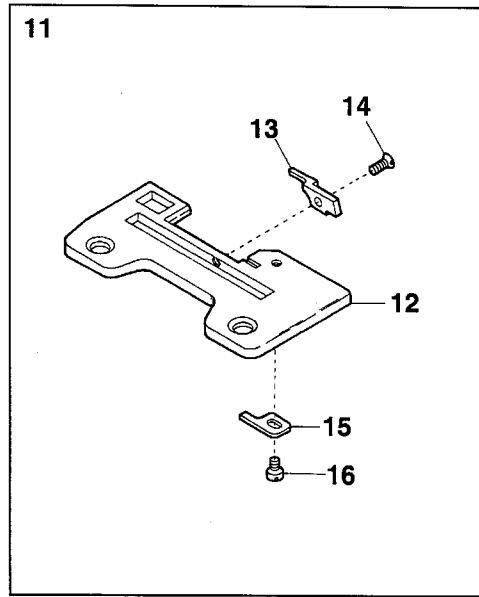
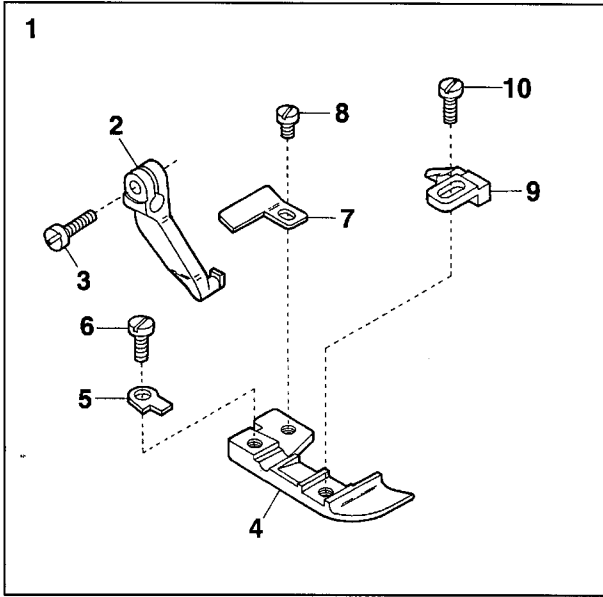


AZ7025G-Y5-8, Y6-8



| Ref.No | Parts No. | Description | 品名 | Amt. Req |
|--------|-----------|--------------------------------|-----------|----------|
| 1 | 2157050 | Presser Foot, C. Set(O4) | 押エ(組) | 1 |
| 2 | 2157000 | Presser Foot Hinge | 押エヒンジ | 1 |
| 3 | 110004 | Screw(M3.5-0.6 × 8) | 止ネジ | 1 |
| 4 | 2157020 | Presser Foot(Lower) | 押エ(下) | 1 |
| 5 | 2157200 | Presser Foot Stitch Tongue(O4) | 爪 | 1 |
| 6 | 2107643 | Finger Guard | フィンガガード | 1 |
| 7 | 000444 | Washer | ワッシャ | 1 |
| 8 | 005036 | Screw(1/8-44 × 5.6) | 止ネジ | 1 |
| 9 | 0034535 | Thread Chain Guide | 空環ガイド | 1 |
| 10 | 004237 | Screw(3/32-56 × 2.6) | 止ネジ | 1 |
| 11 | 2157040 | Presser Foot Half-stay | 半固定片 | 1 |
| 12 | 110050 | Screw(M3.5-0.6 × 4.5) | 止ネジ | 1 |
| 13 | 2158041 | Stitch Plate(O4) | 針板 | 1 |
| 14 | 2109320 | Upper Looper | 上ルーパ | 1 |
| 15 | 0060297 | Pin | ピン | 1 |
| 16-1 | 2157118 | Presser Foot, C. Set(Y5) | 押エ(組) | 1 |
| 16-2 | 2157119 | Presser Foot, C. Set(Y6) | 押エ(組) | 1 |
| 17 | 2107631 | Presser Foot(Lower) | 押エ(下) | 1 |
| 18-1 | 2107650 | Presser Foot Stitch Tongue(Y5) | 爪 | 1 |
| 18-2 | 2157651 | Presser Foot Stitch Tongue(Y6) | 爪 | 1 |
| 19 | 2107670 | Presser Foot Tape Guide | 押エテープガイド | 1 |
| 20 | 001230 | Screw(3/32-56 × 3.8) | 止ネジ | 1 |
| 21 | 0024130 | Tape Guide(Upper) | テープガイド(上) | 1 |
| 22 | 110012 | Screw(M4-0.7 × 5) | 止ネジ | 2 |
| 23 | 000538 | Washer | ワッシャ | 2 |

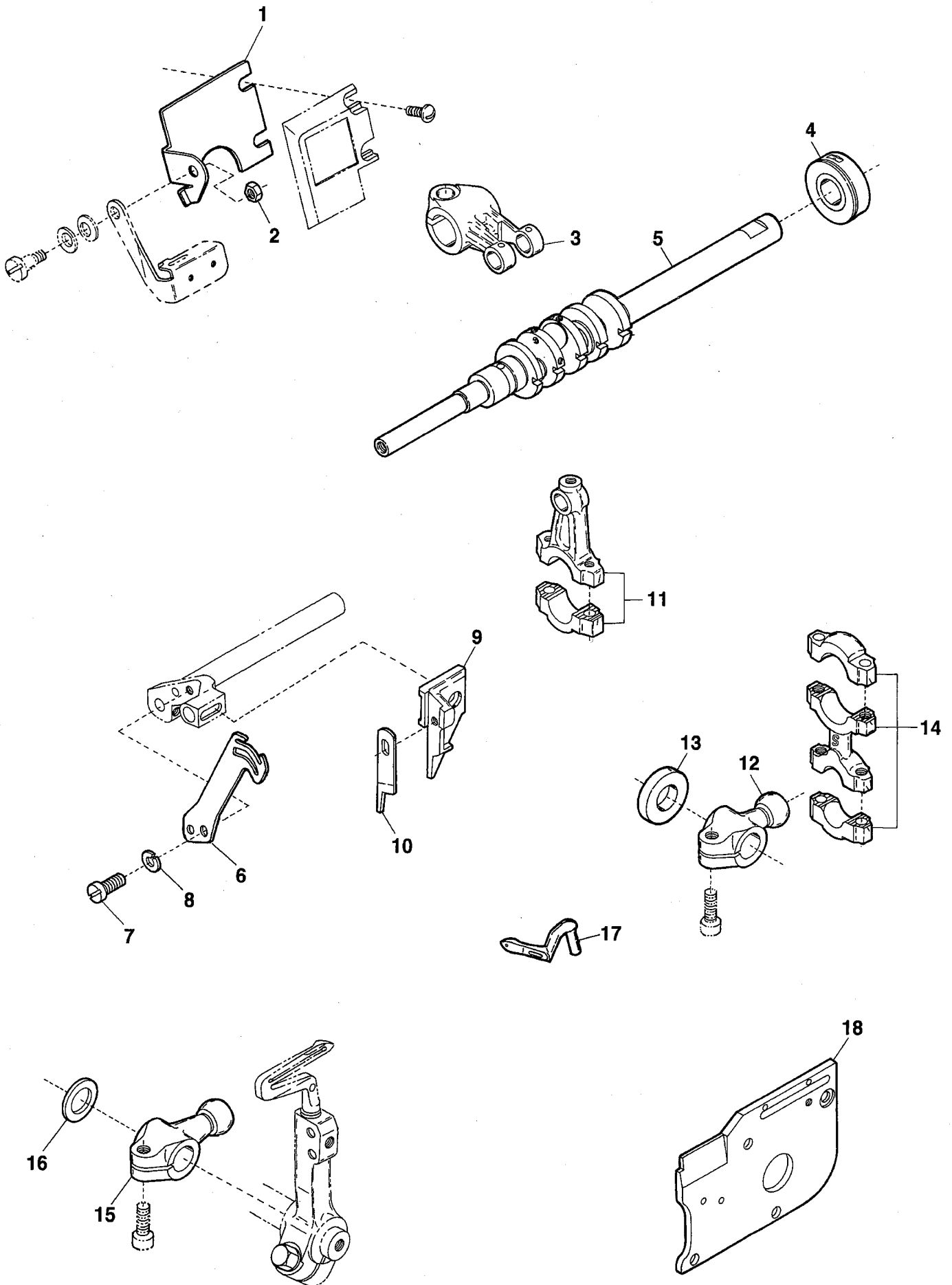
AZ7016G-8



| Ref.No | Parts No. | Description | 品 名 | Amt. Req |
|--------|-----------|---|-----------|----------|
| 1 | 2157185 | Presser Foot, C. Set(O2) | 押エ(組) | 1 |
| 2 | 2157002 | Presser Foot Hinge | 押エヒンジ | 1 |
| 3 | 110004 | Screw(M3.5-0.6 × 8) | 止ネジ | 1 |
| 4 | 0024505 | Presser Foot(Lower) | 押エ(下) | 1 |
| 5 | 0024421 | Presser Foot Hinge Spring | 押エヒンジバネ | 1 |
| 6 | 004131 | Screw(1/8-44 × 6) | 止ネジ | 1 |
| 7 | 0022156 | Thread Chain Guide | 空環ガイド | 1 |
| 8 | 004237 | Screw(3/32-56 × 2.6) | 止ネジ | 1 |
| 9 | 0024506 | Presser Foot Stitch Tongue | 爪 | 1 |
| 10 | 004138 | Screw(1/8-44 × 5) | 止ネジ | 1 |
| 11 | 2108016 | Stitch Plate, Complete Set | 針板(組) | 1 |
| 12 | 2108017 | Stitch Plate | 針板 | 1 |
| 13 | 2108015 | Stitch Plate Tongue | 針板爪 | 1 |
| 14 | 004204 | Screw(3/32-100 × 2.2) | 止ネジ | 1 |
| 15 | 0024503 | Stitch Plate Tongue Stop | 針板爪ストッパ | 1 |
| 16 | 001228 | Screw(3/32-56 × 3.2) | 止ネジ | 1 |
| 17 | 2109017 | Differential Feed Dog(with Rubber Face) | 前送り(ゴム送り) | 1 |
| 18 | 2109018 | Main Feed Dog(with Rubber Face) | 後送り(ゴム送り) | 1 |
| 19 | 2109019 | Auxiliary Feed Dog | 小送り | 1 |
| 20 | 000932 | Rubber Cushion(Large) | 埋メ座(大) | 1 |
| 21 | 000933 | Rubber Cushion(Medium) | 埋メ座(中) | 1 |
| 22 | 0023580 | Upper Knife | 上メス | 1 |
| 23 | 2100346 | Upper Knife Holder | 上メスホルダ | 1 |
| 24 | 180002 | Screw(M3-0.5 × 4) | 止ネジ | 2 |
| 25 | 300040 | Washer | ワッシャ | 1 |
| 26 | 2100177 | Lower Knife Holder | 下メス台 | 1 |
| 27 | 2109320 | Upper Looper | 上ルーパ | 1 |
| 28 | 0060297 | Pin | ピン | 1 |

17

AZ7120G-8, 7125G-8(1)



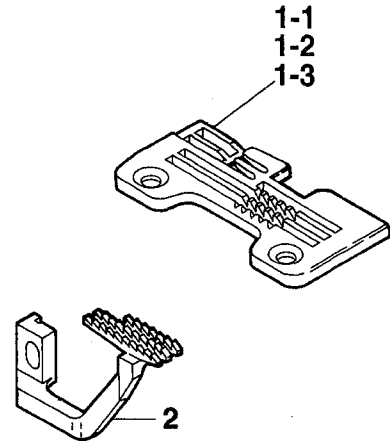
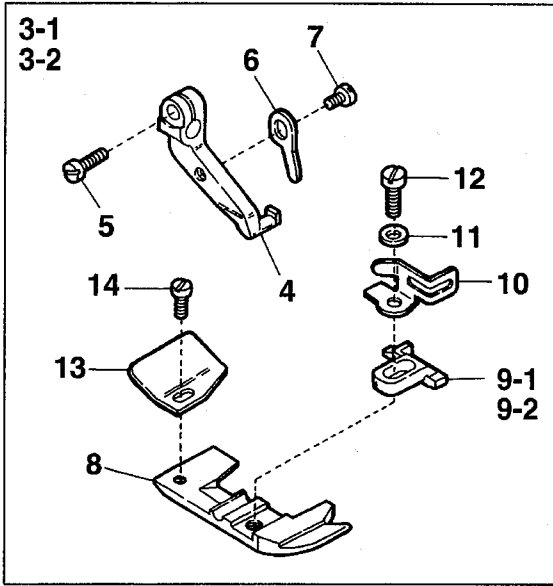
| Ref.No | Parts No. | Description | 品名 | Amt. Req |
|--------|-----------|-------------------------------------|-----------|----------|
| 1 | 2150259 | Eye Guard Spacer | アイガードスペーサ | 1 |
| 2 | 100001 | Nut | ナット | 1 |
| 3 | 2100134 | Needle Bar Driving Lever | 針棒クランク軸腕 | 1 |
| 4 | 2150602 | Crankshaft Bushing | 中ブッシュ | 1 |
| 5 | 2150255 | Crankshaft | クランクシャフト | 1 |
| 6 | 2150418 | Needle Thread Pull-off | 針糸繰り | 1 |
| 7 | 110064 | Screw(M4-0.7 × 8) | 止ネジ | 1 |
| 8 | 000644 | Spring Washer | スプリングワッシャ | 1 |
| 9 | 2121234 | Upper Knife Holder(Flat Type) | 上メスホルダ(平) | 1 |
| 10 | 2150256 | Upper Knife(Flat Type) | 上メス(平) | 1 |
| 11 | 2100160 | Upper Knife Driving Connecting Rod | 上メスロッド | 1 |
| 12 | 2101416 | Upper Looper Driving Lever | 上ルーパ軸腕 | 1 |
| 13 | 2101418 | Driving Shaft Thrust Ring | スラストリング | 1 |
| 14 | 2100215 | Looper Driving Lever Connecting Rod | ルーパロッド | 1 |
| 15 | 2150258 | Lower Looper Driving Lever | 下ルーパ軸腕 | 1 |
| 16 | 2100218 | Driving Shaft Thrust Ring | スラストリング | 1 |
| 17 | 2119323 | Upper Looper | 上ルーパ | 1 |
| 18 | 2150415 | Looper Holder Cover | ルーパ台カバー | 1 |

* The frame of this model is different from that of AZ7020G-8.

* フレームはAZ7020G-8と異なります。

AZ7120G-8(2)

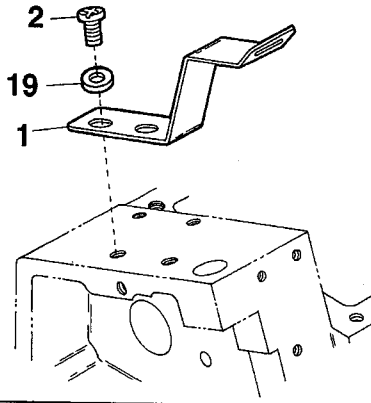
AZ7120G-Y5-8, Y6-8, Y8-8



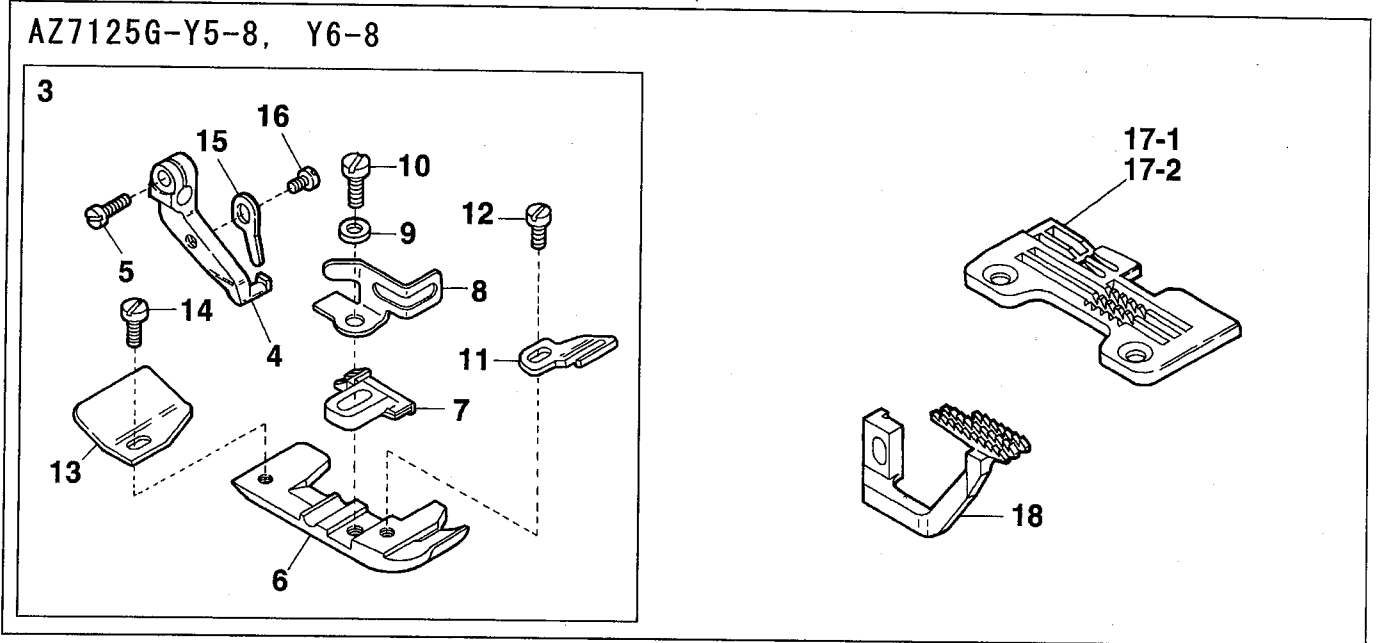
| Ref.No | Parts No. | Description | 品名 | Amt. Req |
|--------|-----------|------------------------------------|---------|----------|
| 1-1 | 2158045 | Stitch Plate(Y5) | 針板 | 1 |
| 1-2 | 2158044 | Stitch Plate(Y6) | 針板 | 1 |
| 1-3 | 2158047 | Stitch Plate(Y8) | 針板 | 1 |
| 2 | 2109009 | Differential Feed Dog(Y) | 前送り | 1 |
| 3-1 | 2157058 | Presser Foot, C. Set(Y5, Y6) | 押エ(組) | 1 |
| 3-2 | 2157081 | Presser Foot, C. Set(Y8) | 押エ(組) | 1 |
| 4 | 2157000 | Presser Foot Hinge | 押エヒンジ | 1 |
| 5 | 110004 | Screw(M3.5-0.6 × 8) | 止ネジ | 1 |
| 6 | 2157040 | Presser Foot Half-stay | 半固定片 | 1 |
| 7 | 110050 | Screw(M3.5-0.6 × 4.5) | 止ネジ | 1 |
| 8 | 2157020 | Presser Foot (Lower) | 押エ(下) | 1 |
| 9-1 | 2157206 | Presser Foot Stitch Tongue(Y5, Y6) | 爪 | 1 |
| 9-2 | 2157212 | Presser Foot Stitch Tongue(Y8) | 爪 | 1 |
| 10 | 2107643 | Finger Guard | フィンガガード | 1 |
| 11 | 000444 | Washer | ワッシャ | 1 |
| 12 | 005036 | Screw(1/8-44 × 5.6) | 止ネジ | 1 |
| 13 | 0034535 | Thread Chain Guide | 空環ガイド | 1 |
| 14 | 004237 | Screw(3/32-56 × 2.6) | 止ネジ | 1 |

19

AZ7125G-8(2)

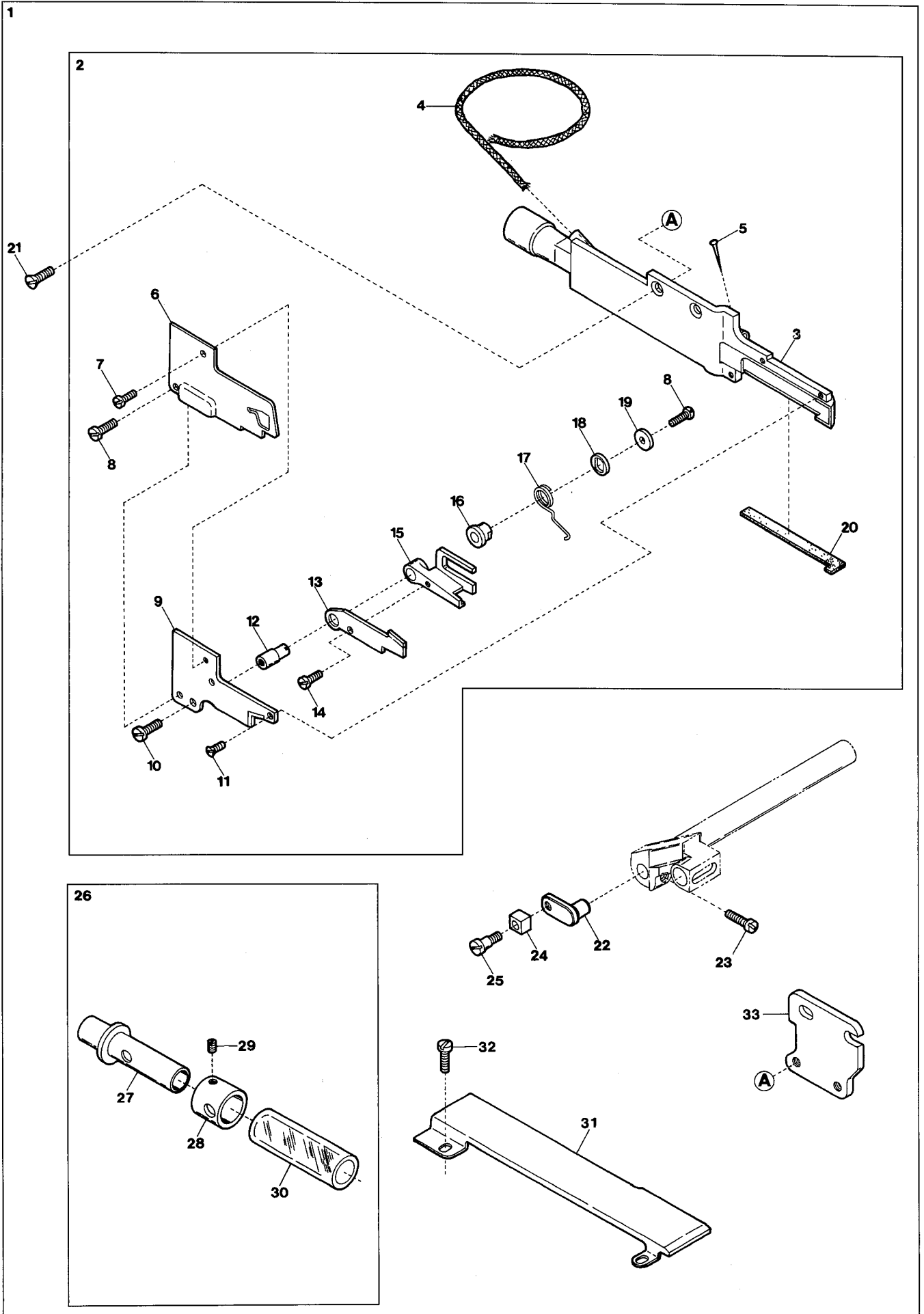


AZ7125G-Y5-8, Y6-8



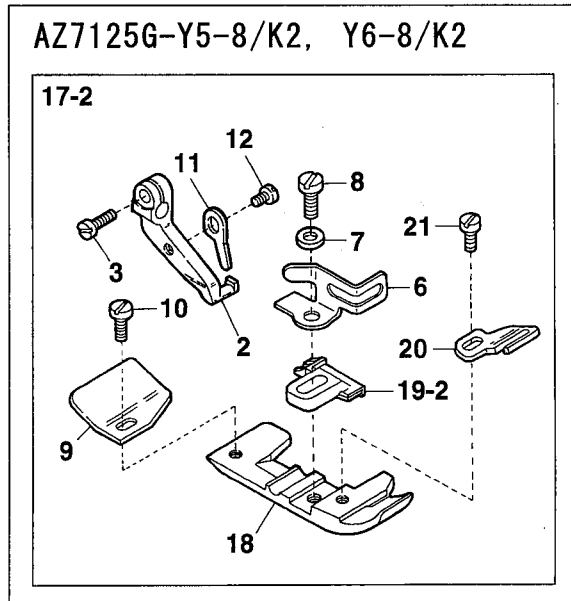
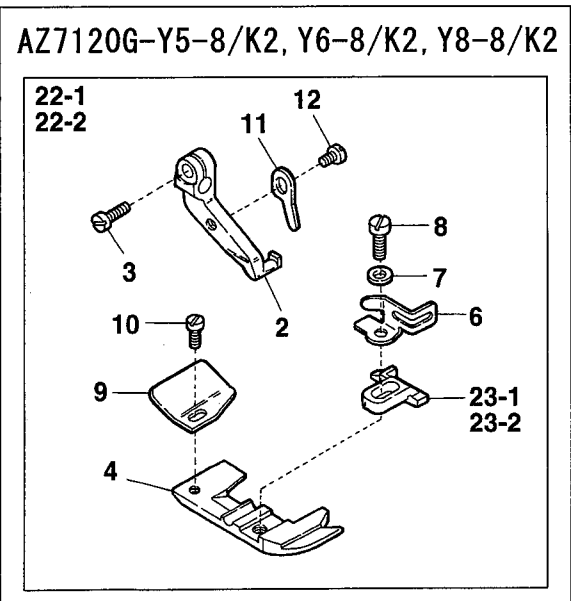
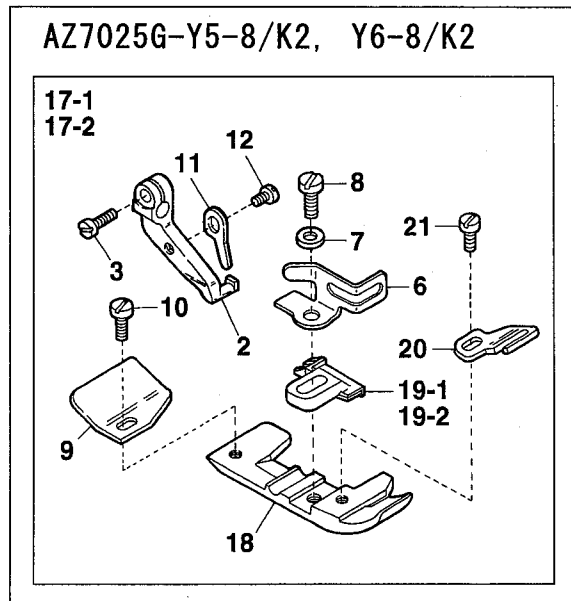
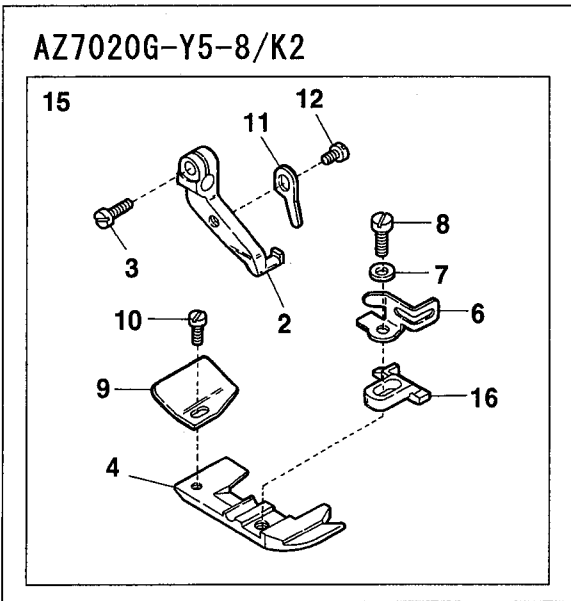
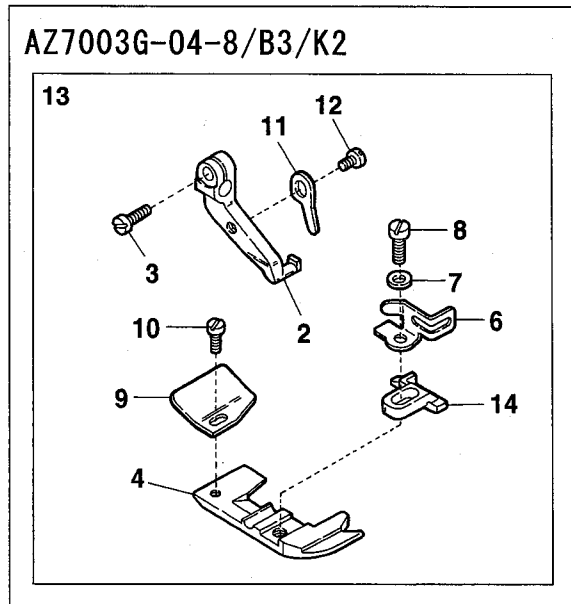
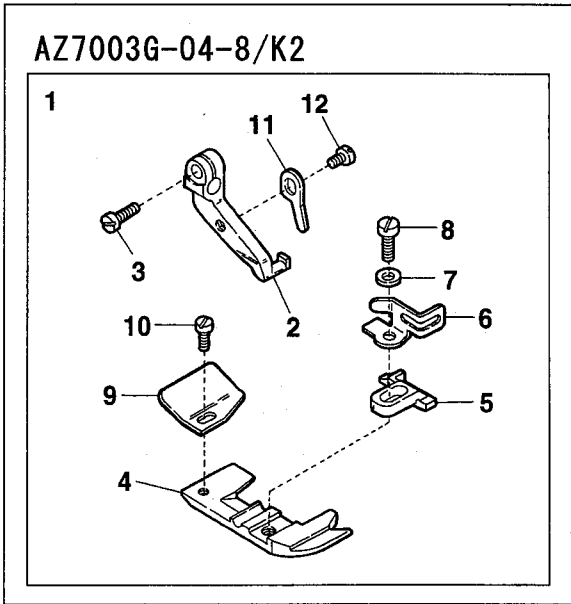
| Ref.No | Parts No. | Description | 品 名 | Amt. Req |
|--------|-----------|------------------------------------|-----------|----------|
| 1 | 0024130 | Tape Guide(Upper) | テープガイド(上) | 1 |
| 2 | 110012 | Screw(M4-0.7 × 5) | 止ネジ | 2 |
| 3 | 2157119 | Presser Foot, C. Set(Y5, Y6) | 押エ(組) | 1 |
| 4 | 2157000 | Presser Foot Hinge | 押エヒンジ | 1 |
| 5 | 110004 | Screw(M3.5-0.6 × 8) | 止ネジ | 1 |
| 6 | 2107631 | Presser Foot (Lower) | 押エ(下) | 1 |
| 7 | 2107651 | Presser Foot Stitch Tongue(Y5, Y6) | 爪 | 1 |
| 8 | 2107643 | Finger Guard | フィンガガード | 1 |
| 9 | 000444 | Washer | ワッシャ | 1 |
| 10 | 005036 | Screw(1/8-44 × 5.6) | 止ネジ | 1 |
| 11 | 2107670 | Presser Foot Tape Guide | 押エテープガイド | 1 |
| 12 | 001230 | Screw(3/32-56 × 3.8) | 止ネジ | 1 |
| 13 | 0034535 | Thread Chain Guide | 空環ガイド | 1 |
| 14 | 004237 | Screw(3/32-56 × 2.6) | 止ネジ | 1 |
| 15 | 2157040 | Presser Foot Half-stay | 半固定片 | 1 |
| 16 | 110050 | Screw(M3.5-0.6 × 4.5) | 止ネジ | 1 |
| 17-1 | 2158045 | Stitch Plate(Y5) | 針板 | 1 |
| 17-2 | 2158044 | Stitch Plate(Y6) | 針板 | 1 |
| 18 | 2109009 | Differential Feed Dog(Y) | 前送り | 1 |
| 19 | 000538 | Washer | ワッシャ | 2 |

K2 DEVICE(1)



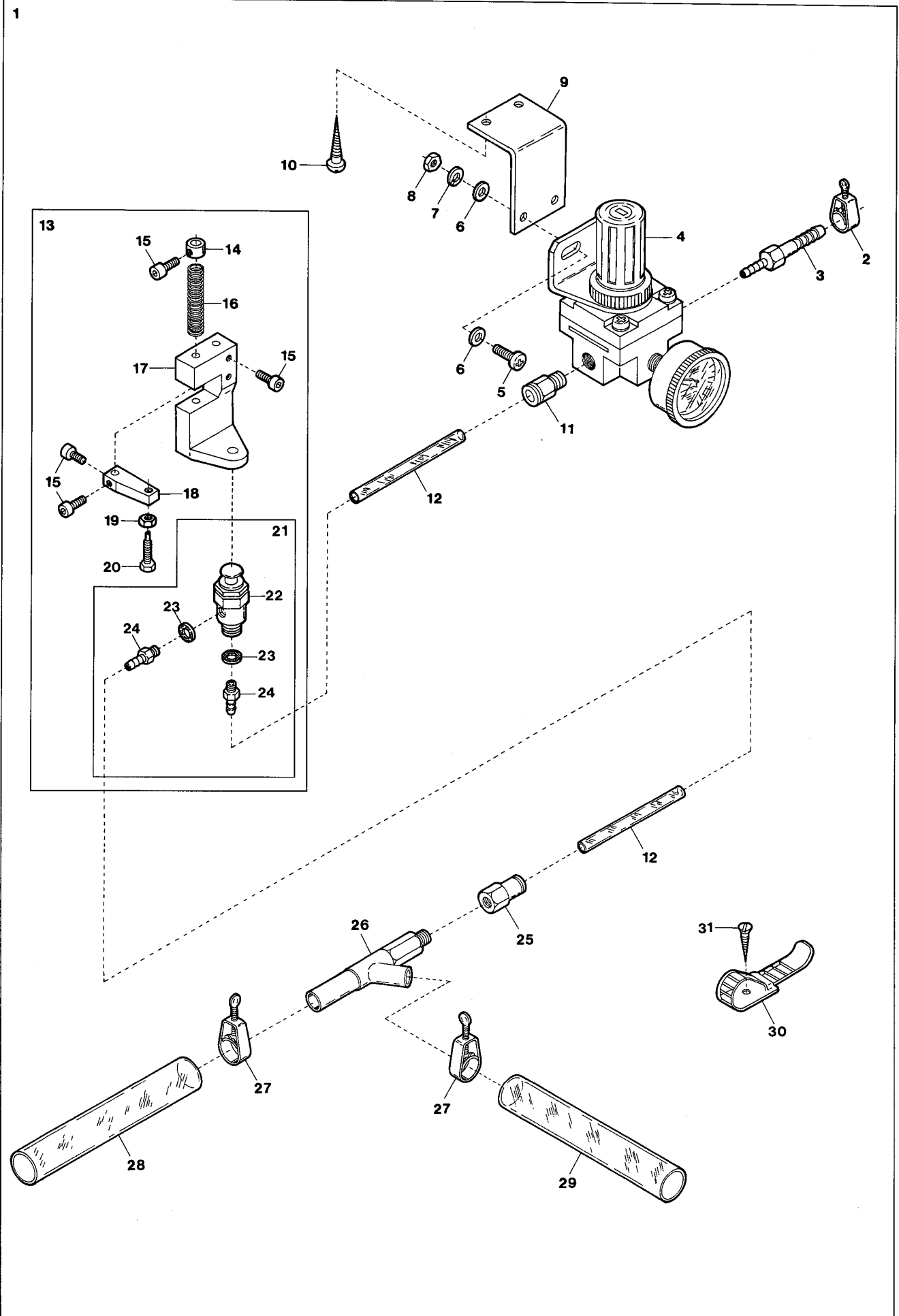
| Ref.No | Parts No. | Description | 品 名 | Amt. Req |
|--------|-----------|-------------------------------------|-------------|----------|
| 1 | 2159901 | K2 Device, Complete Set | K2装置(組) | 1 |
| 2 | 2111050 | Suction Pipe, Complete Set | 吸込管(組) | 1 |
| 3 | 2111051 | Suction Pipe | 吸込管本体 | 1 |
| 4 | 310017 | Oil Wick | 油芯 | 1 |
| 5 | 000755 | Oil Wick Pin | 止メピン | 1 |
| 6 | 2111063 | Suction Pipe Cover | 吸込管カバー | 1 |
| 7 | 004237 | Screw(3/32-56 × 2.6) | 止ネジ | 1 |
| 8 | 004404 | Screw(3/32-56 × 5.1) | 止ネジ | 2 |
| 9 | 2111055 | Upper Trimming Knife | 上刃 | 1 |
| 10 | 004131 | Screw(1/8-44 × 6) | 止ネジ | 1 |
| 11 | 004139 | Screw(3/32-56 × 3) | 止ネジ | 2 |
| 12 | 2111059 | Lower Trimming Knife Holder Pin | 下刃支持ピン | 1 |
| 13 | 2111056 | Lower Trimming Knife | 下刃 | 1 |
| 14 | 004236 | Screw(3/32-56 × 4.2) | 止ネジ | 1 |
| 15 | 2111057 | Lower Trimming Knife Driving Plate | 下刃駆動板 | 1 |
| 16 | 2111062 | Spring Sleeve | 下刃パネスリーブ | 1 |
| 17 | 2111061 | Lower Trimming Knife Pushing Spring | 下刃圧着パネ | 1 |
| 18 | 2111066 | Spring Protect Washer | 下刃パネワッシャ | 1 |
| 19 | 2111060 | Washer | ワッシャ | 1 |
| 20 | 2111067 | Air Shield Rubber | 隙間防止ゴム | 1 |
| 21 | 007623 | Screw(9/64-40 × 5.3) | 止ネジ | 2 |
| 22 | 2111058 | Lower Trimming Knife Guide Support | 下刃ガイド取付台 | 1 |
| 23 | 110068 | Screw(M4-0.7 × 8) | 止ネジ | 1 |
| 24 | 2101011 | Lower Trimming Knife Guide | 下刃ガイド | 1 |
| 25 | 270001 | Screw(1/8-44 × 3) | 止ネジ | 1 |
| 26 | 0021451 | Suction Power Control, C. Set | 吸引力調整管(組) | 1 |
| 27 | 0021457 | Suction Power Control Tube(Inner) | 吸引力調整台 | 1 |
| 28 | 0021456 | Suction Power Control Tube | 吸引力調整管 | 1 |
| 29 | 001892 | Screw(1/8-44 × 2.9) | 止ネジ | 1 |
| 30 | 0021450 | Nylon Hose | 吸引チューブ | 1 |
| 31 | 2101059 | Cloth Plate Spacer | クロスプレートスペーサ | 1 |
| 32 | 110042 | Screw(M3.5-0.6 × 4) | 止ネジ | 2 |
| 33 | 2151000 | Suction Pipe Support | 吸込管取付台 | 1 |

K2 DEVICE(2)



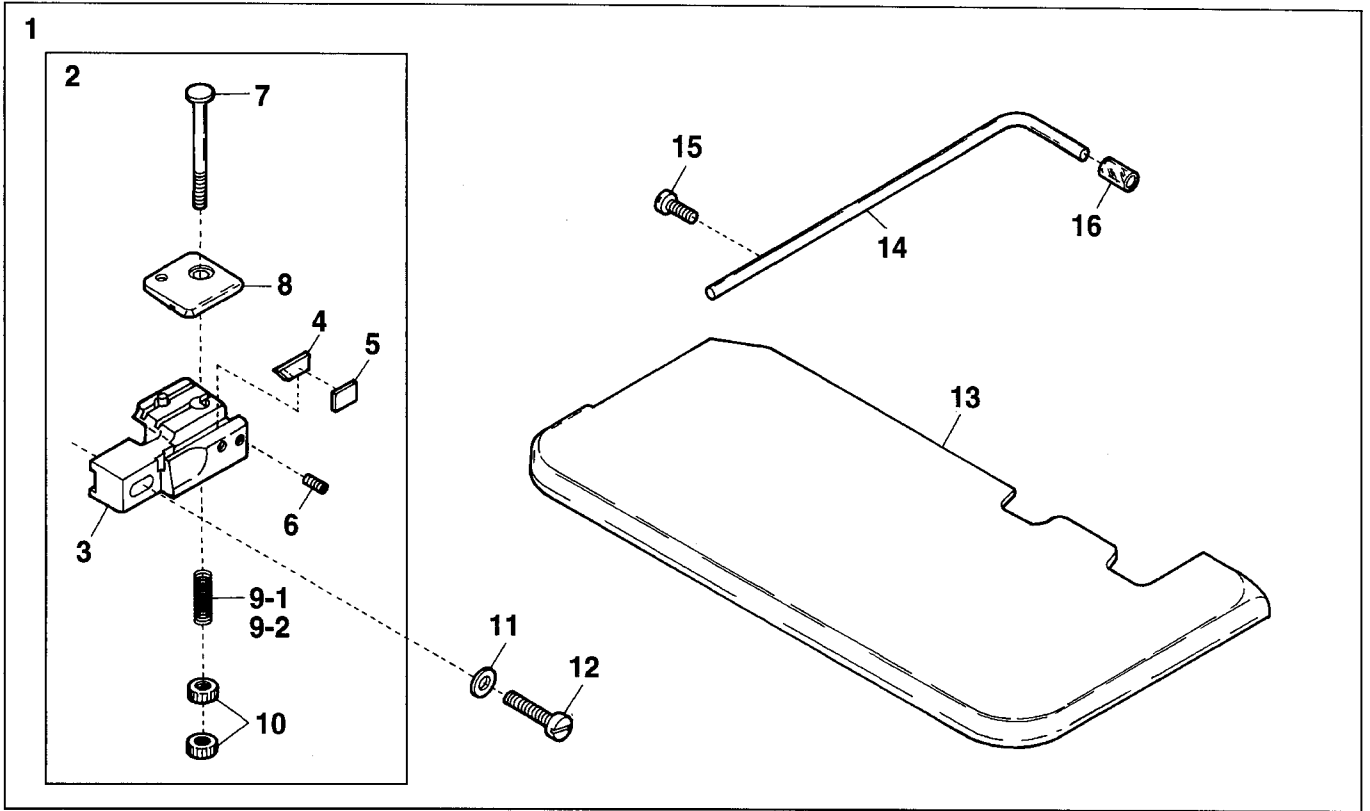
| Ref.No | Parts No. | Description | 品 名 | Amt. Req |
|--------|-----------|------------------------------------|----------|----------|
| 1 | 2157062 | Presser Foot, C. Set(O4) | 押工(組) | 1 |
| 2 | 2157000 | Presser Foot Hinge | 押工ヒンジ | 1 |
| 3 | 110004 | Screw(M3.5-0.6 × 8) | 止ネジ | 1 |
| 4 | 2157020 | Presser Foot (Lower) | 押工(下) | 1 |
| 5 | 2157200 | Presser Foot Stitch Tongue(O4) | 爪 | 1 |
| 6 | 2107643 | Finger Guard | フィンガガード | 1 |
| 7 | 000444 | Washer | ワッシャ | 1 |
| 8 | 005036 | Screw(1/8-44 × 5.6) | 止ネジ | 1 |
| 9 | 2107219 | Thread Chain Guide | 空環ガイド | 1 |
| 10 | 004237 | Screw(3/32-56 × 2.6) | 止ネジ | 1 |
| 11 | 2157040 | Presser Foot Half-stay | 半固定片 | 1 |
| 12 | 110050 | Screw(M3.5-0.6 × 4.5) | 止ネジ | 1 |
| 13 | 2157072 | Presser Foot, C. Set(O4) | 押工(組) | 1 |
| 14 | 2157204 | Presser Foot Stitch Tongue(O4) | 爪 | 1 |
| 15 | 2157102 | Presser Foot, C. Set(Y5) | 押工(組) | 1 |
| 16 | 2157205 | Presser Foot Stitch Tongue(Y5) | 爪 | 1 |
| 17-1 | 2157121 | Presser Foot, C. Set(Y5) | 押工(組) | 1 |
| 17-2 | 2157122 | Presser Foot, C. Set(Y6) | 押工(組) | 1 |
| 18 | 2107631 | Presser Foot(Lower) | 押工(下) | 1 |
| 19-1 | 2107650 | Presser Foot Stitch Tongue(Y5) | 爪 | 1 |
| 19-2 | 2107651 | Presser Foot Stitch Tongue(Y6) | 爪 | 1 |
| 20 | 2107670 | Presser Foot Tape Guide | 押工テープガイド | 1 |
| 21 | 001230 | Screw(3/32-56 × 3.8) | 止ネジ | 1 |
| 22-1 | 2157058 | Presser Foot, C. Set(Y5, Y6) | 押工(組) | 1 |
| 22-2 | 2157083 | Presser Foot, C. Set(Y8) | 押工(組) | 1 |
| 23-1 | 2157206 | Presser Foot Stitch Tongue(Y5, Y6) | 爪 | 1 |
| 23-2 | 2157212 | Presser Foot Stitch Tongue(Y8) | 爪 | 1 |

C DEVICE

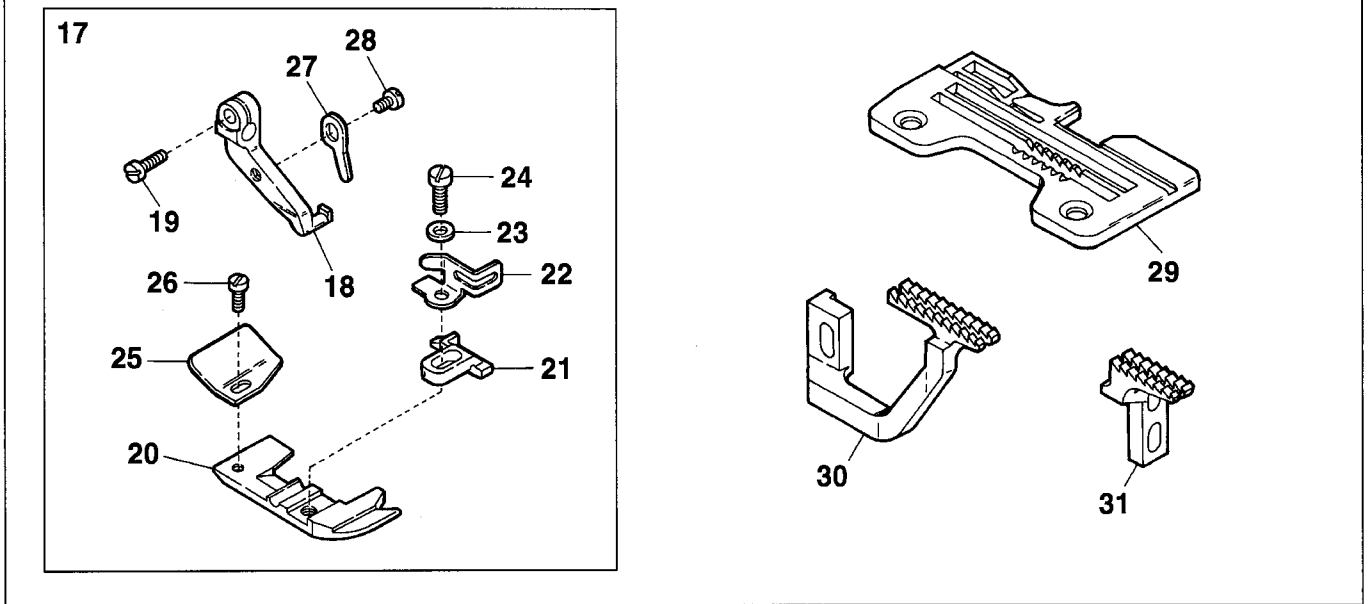


| Ref.No | Parts No. | Description | 品名 | Amt. Req |
|--------|-----------|--------------------------------|----------------|----------|
| 1 | 2109932 | C Device, Complete Set | C装置(組) | 1 |
| 2 | 0033939 | Hose Band(1/4 inch) | ホースバンド(1/4インチ) | 1 |
| 3 | 1094011 | Hose Nipple(PT1/8 × 8) | ホースニップル | 1 |
| 4 | 1097000 | Regulator(AR2000-01BG) | レギュレータ | 1 |
| 5 | 009960 | Screw(M5-0.8 × 16) | 止ネジ | 2 |
| 6 | 000669 | Washer | ワッシャ | 4 |
| 7 | 000600 | Spring Washer | スプリングワッシャ | 2 |
| 8 | 000009 | Nut | ナット | 2 |
| 9 | 1097001 | Regulator Support | レギュレータ取付板 | 1 |
| 10 | 006905 | Wood Screw(φ 5.1 × 20) | 木ネジ | 2 |
| 11 | 0010263 | Connector(EC6-PT1/8) | コネクタ | 1 |
| 12 | 1096000 | Nylon Hose(4 × 6 × 2000mm) | ナイロンホース | 1 |
| 13 | 1298000 | Air Valve, Complete Set | エアバルブ(組) | 1 |
| 14 | 0033938 | Collar(6.4 × 13 × 9mm) | エアバルブ補助バネカラー | 1 |
| 15 | 005040 | Screw(11/64-40 × 8.5) | 止ネジ | 5 |
| 16 | 0033937 | Return Spring | エアバルブ補助バネ | 1 |
| 17 | 0033936 | Air Valve Holder | エアバルブ取付台 | 1 |
| 18 | 0033935 | Air Valve Stop | エアバルブストッパ | 1 |
| 19 | 000334 | Nut | ナット | 1 |
| 20 | 005505 | Adjusting Screw(11/64-40 × 16) | 調節ネジ | 1 |
| 21 | 1090133 | TAC Valve, C. Set | TACバルブ(組) | 1 |
| 22 | 0010052 | TAC Valve | TACバルブ | 1 |
| 23 | 000623 | Gasket | パッキン | 2 |
| 24 | 0010112 | Joint(I-4) | 継手 | 2 |
| 25 | 0010290 | Connector(EFC6-PT1/8) | 継手 | 1 |
| 26 | 0010310 | Venturi Tube | ベンチュリ管 | 1 |
| 27 | 0033940 | Hose Band(3/8 inch) | ホースバンド(3/8インチ) | 2 |
| 28 | 1096004 | Vinyl Hose(12 × 18 × 1500mm) | ビニールホース | 1 |
| 29 | 1096005 | Vinyl Hose(12 × 18 × 500mm) | ビニールホース | 1 |
| 30 | 0011987 | UL Clamp | ULクランプ | 3 |
| 31 | 009814 | Wood Screw(φ 3.1 × 20) | 木ネジ | 3 |

B3 DEVICE

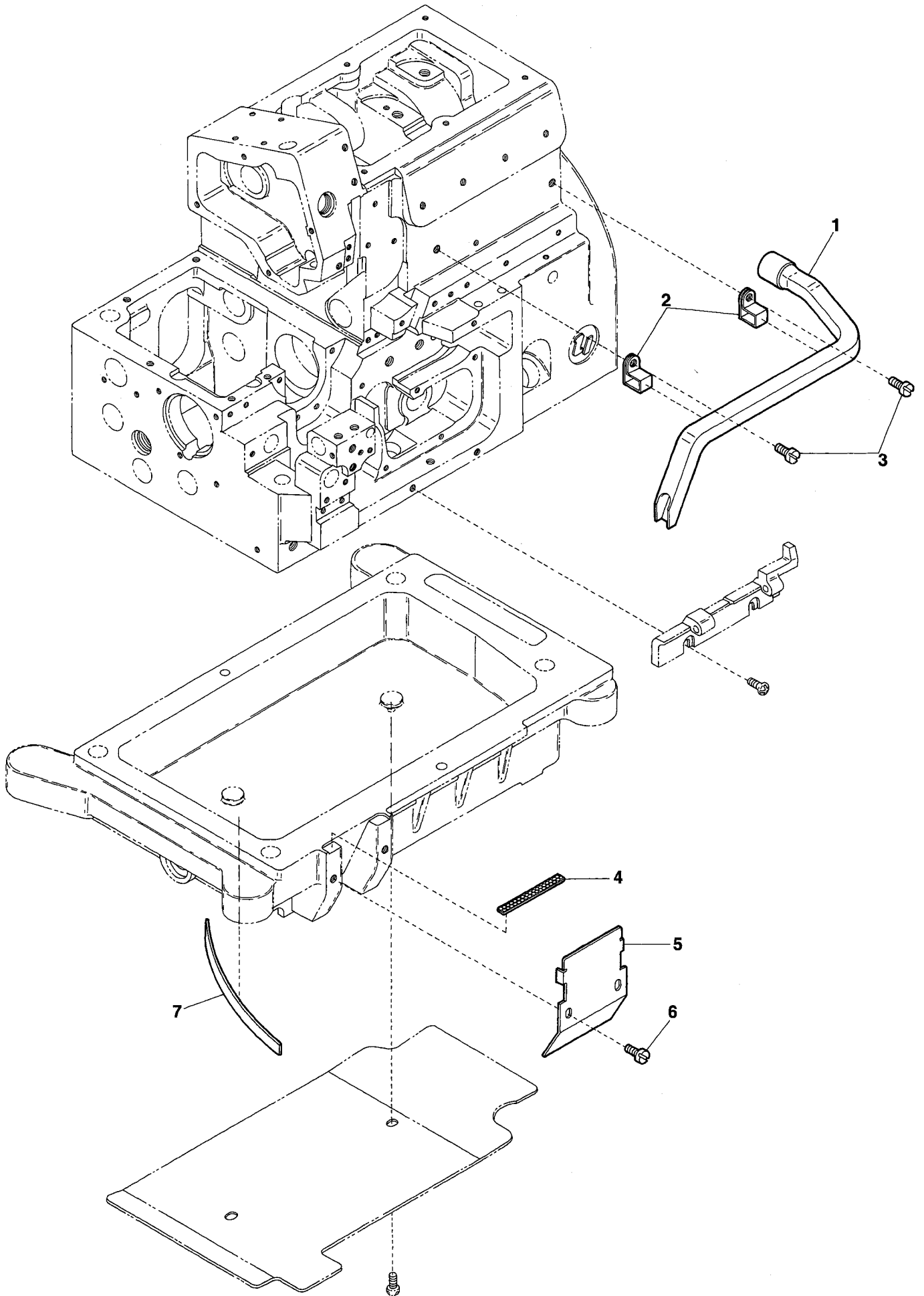


AZ7003G-8/B3



| Ref.No | Parts No. | Description | 品 名 | Amt. Req |
|--------|-----------|--|---------------|----------|
| 1 | 2109907 | B3 Device, C. Set | B3装置(組) | 1 |
| 2 | 2101133 | Back Tack Cutting Unit | 空環切り装置(組) | 1 |
| 3 | 2101134 | Thread Chain Cutting Knife Holder | 刃取付台 | 1 |
| 4 | 0023184 | Thread Chain Cutting Knife | 刃 | 1 |
| 5 | 0023169 | Thread Chain Cutting Knife Holder Spacer | 刃取付台スペーサ | 1 |
| 6 | 003637 | Screw(1/8-44 × 2.5) | 止ネジ | 2 |
| 7 | 004205 | Screw(11/64-40 × 18) | 止ネジ | 1 |
| 8 | 0024308 | Thread Chain Holder | 空環押エ | 1 |
| 9-1 | 0023182 | Thread Chain Holder Spring(Standard) | 空環押エバネ(標準) | 1 |
| 9-2 | 0033711 | Thread Chain Holder Spring(with Stronger Pressure) | 空環押エバネ(バネ圧強い) | 1 |
| 10 | 000361 | Adjusting Nut | 空環押エバネ調節ナット | 2 |
| 11 | 000535 | Washer | ワッシャ | 1 |
| 12 | 110044 | Screw(M3-0.6 × 14) | 止ネジ | 1 |
| 13 | 2101050 | Cloth Plate | クロスプレート | 1 |
| 14 | 0036905 | Synchronizer Positioning Pin | ポジションナピン | 1 |
| 15 | 110009 | Screw(M4-0.7 × 8) | 止ネジ | 1 |
| 16 | 0081848 | Synchronizer Cushion | ポジションナピンクッション | 1 |
| 17 | 2157070 | Presser Foot, C. Set(O4) | 押エ(組) | 1 |
| 18 | 2157000 | Presser Foot Hinge | 押エヒンジ | 1 |
| 19 | 110004 | Screw(M4-0.7 × 8) | 止ネジ | 1 |
| 20 | 2157020 | Presser Foot(Lower) | 押エ(下) | 1 |
| 21 | 2157204 | Presser Foot Stitch Tongue(O4) | 爪 | 1 |
| 22 | 2107643 | Finger Guard | フィンガガード | 1 |
| 23 | 000444 | Washer | ワッシャ | 1 |
| 24 | 005036 | Screw(1/8-44 × 5.6) | 止ネジ | 1 |
| 25 | 0034535 | Thread Chain Guide | 空環ガイド | 1 |
| 26 | 004237 | Screw(3/32-56 × 1.7) | 止ネジ | 1 |
| 27 | 2157040 | Presser Foot Half-stay | 半固定片 | 1 |
| 28 | 110050 | Screw(M3.5-0.6 × 4.5) | 止ネジ | 1 |
| 29 | 2158042 | Stitch Plate(O4) | 針板 | 1 |
| 30 | 2109010 | Differential Feed Dog | 前送り | 1 |
| 31 | 2109011 | Main Feed Dog | 後送り | 1 |

SC10 DEVICE

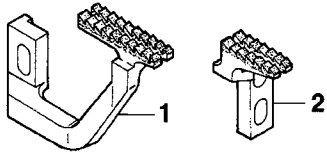


| Ref.No | Parts No. | Description | 品 名 | Amt. Req |
|--------|-----------|-------------------------|----------|----------|
| 1 | 2151067 | Lint Removal Pipe | 集塵パイプ | 1 |
| 2 | 2151066 | Pipe Clamp | パイプ固定バンド | 2 |
| 3 | 110094 | Screw(M4-0.7 × 6) | 止ネジ | 2 |
| 4 | 2151059 | Blowing Hole Screen | 吹き出シロ板 | 1 |
| 5 | 2151057 | Wind Guide Plate(Front) | 風案内板(前) | 1 |
| 6 | 110001 | Screw(M4-0.7 × 5.4) | 止ネジ | 2 |
| 7 | 2151058 | Air Deflector | 風調整板 | 1 |

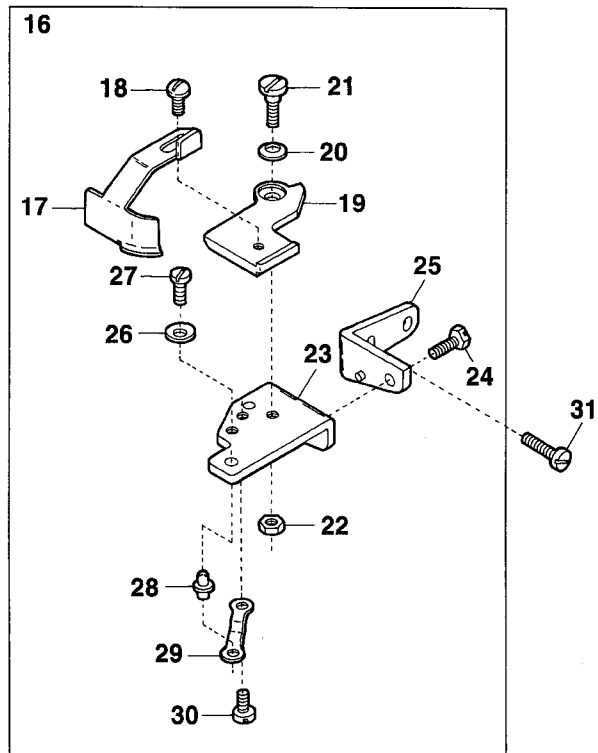
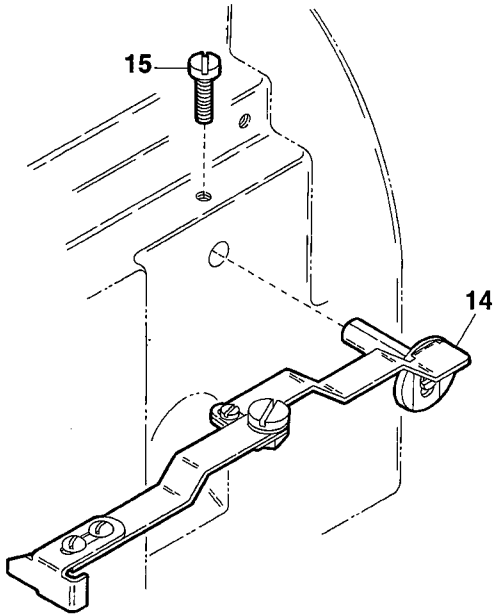
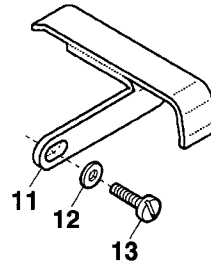
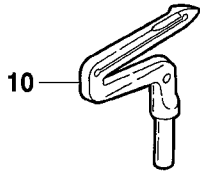
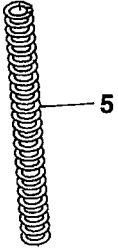
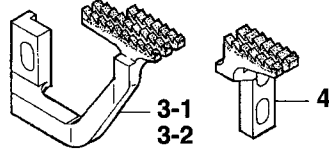
EXTRA PARTS

Feed Dog plated with Rubber ラバー送り

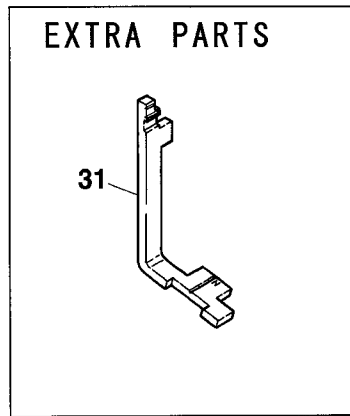
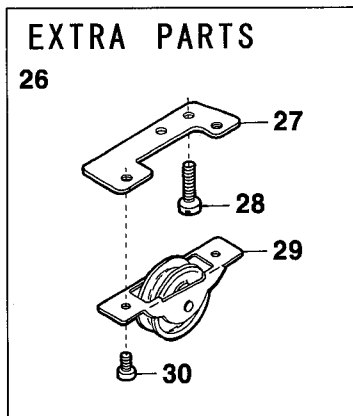
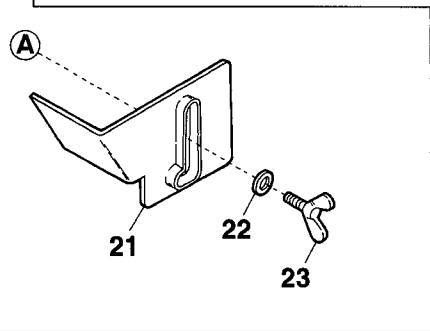
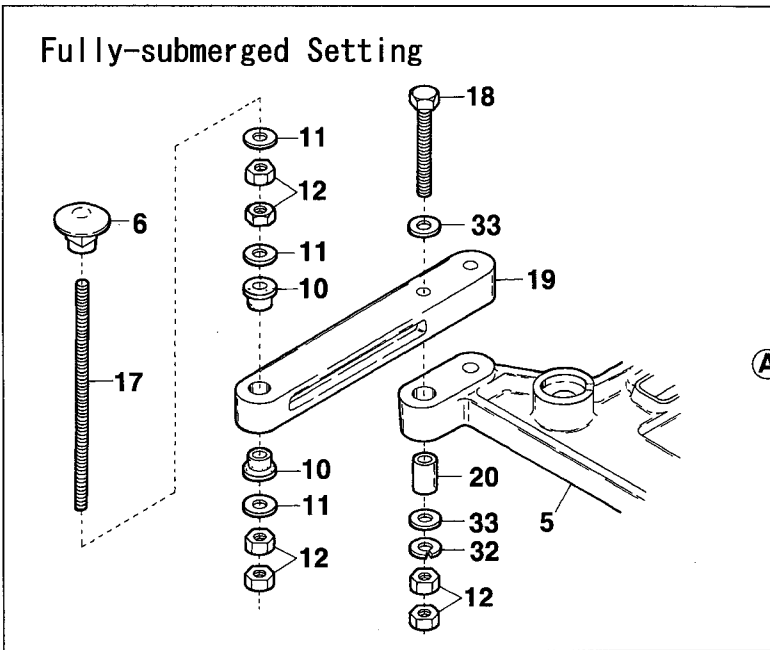
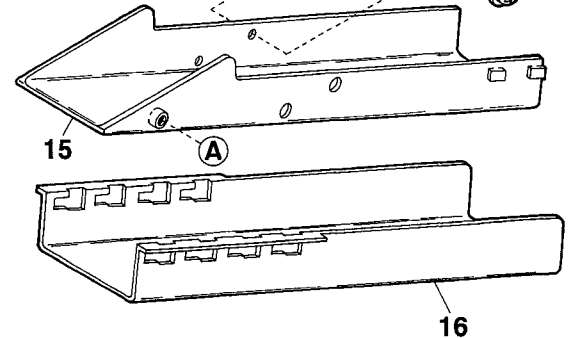
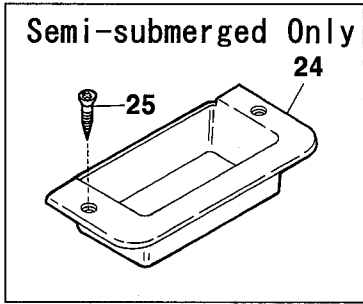
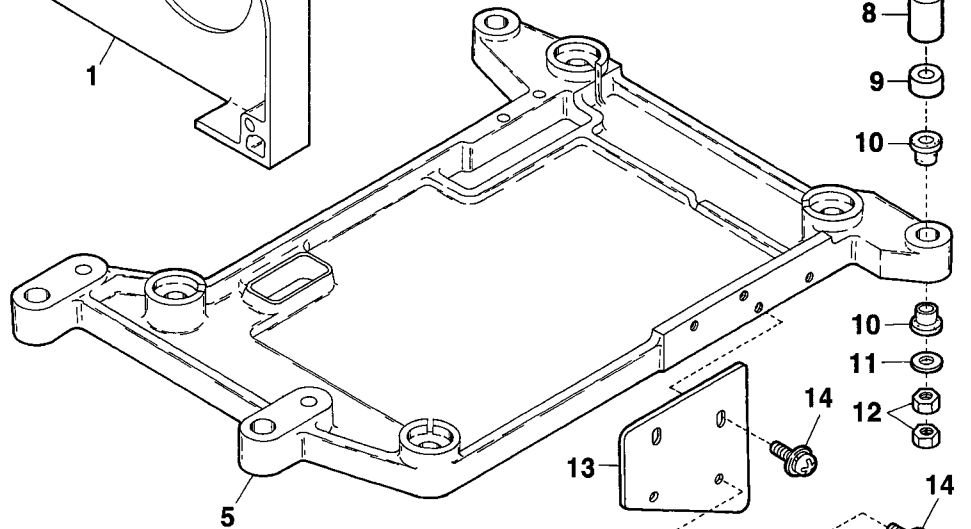
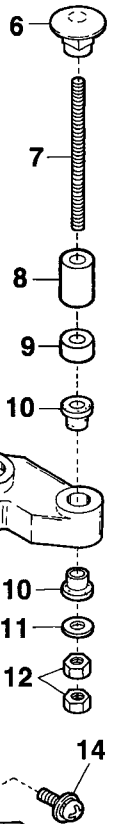
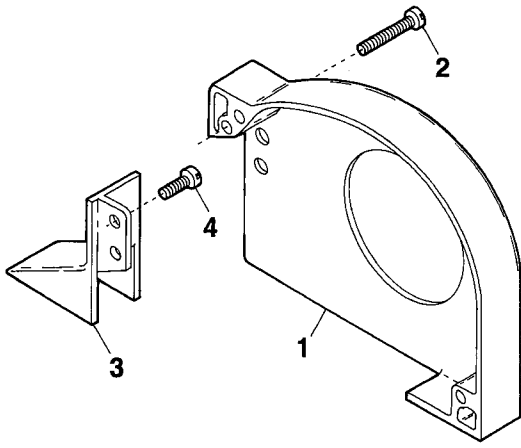
AZ7000G-8



AZ7003G-8, AZ7020G-8



| Ref.No | Parts No. | Description | 品名 | Amt. Req |
|--------|-----------|---|----------------|----------|
| 1 | 2109070 | Differential Feed Dog | 前送り | 1 |
| 2 | 2109074 | Main Feed Dog | 後送り | 1 |
| 3 | 2109072 | Differential Feed Dog(O4) | 前送り | 1 |
| 4 | 2109076 | Main Feed Dog | 後送り | 1 |
| 5 | 2150157 | Presser Spring | 押エバネ | 1 |
| 6 | | | | |
| 7 | | | | |
| 8 | | | | |
| 9 | | | | |
| 10 | 2109349 | Lower Looper(Special coating) | 下ルーバ(特殊コーティング) | 1 |
| 11 | 2151015 | Cloth Plate(Right) Unit | クロスプレート(右)(組) | 1 |
| 12 | 110003 | Screw(M3.5-0.6 × 6) | 止ネジ | 1 |
| 13 | 000535 | Washer | ワッシャ | 1 |
| 14 | 0020700 | Edge Guide, Complete Set | 当て定規(組) | 1 |
| 15 | 110009 | Screw(M4-0.7 × 8) | 止ネジ | 1 |
| 16 | 0022430 | Edge Guide, Complete Set | 当て定規(組) | 1 |
| 17 | 0022432 | Edge Guide | 当て定規 | 1 |
| 18 | 001330 | Screw(9/64-40 × 3.8) | 止ネジ | 1 |
| 19 | 0022431 | Edge Guide Swing-out Lever | スイングアウトレバー | 1 |
| 20 | 000172 | Conical Spring Washer | 皿バネワッシャ | 1 |
| 21 | 004150 | Screw(11/64-40 × 5.2) | 止ネジ | 1 |
| 22 | 000334 | Nut | ナット | 1 |
| 23 | 0022434 | Edge Guide Swing-out Lever Holder | スイングアウトレバー取付台 | 1 |
| 24 | 005506 | Screw(11/64-40 × 8) | 止ネジ | 1 |
| 25 | 0022433 | Edge Guide Swing-out Lever Holder Support | 定規取付台 | 1 |
| 26 | 0022437 | Edge Guide Swing-out Lever Stop | レバーストッパ | 1 |
| 27 | 001227 | Screw(1/8-44 × 3.8) | 止ネジ | 1 |
| 28 | 0022435 | Edge Guide Positioning Pin | 定規固定ピン | 1 |
| 29 | 0022436 | Positioning Pin Holder Spring | 定規固定ピン押エバネ | 1 |
| 30 | 001225 | Screw(1/8-44 × 2.8) | 止ネジ | 1 |
| 31 | 110047 | Screw(M4-0.7 × 10) | 止ネジ | 1 |

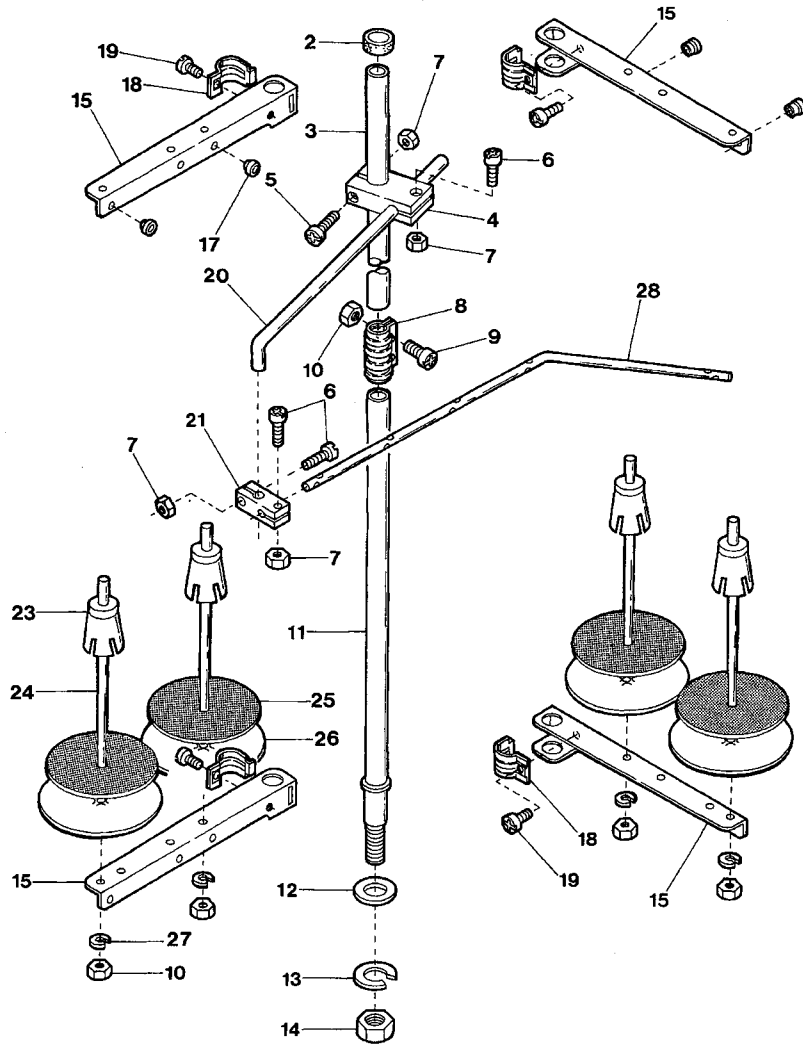


| Ref.No | Parts No. | Description | 品 名 | Amt. Req |
|--------|-----------|--|----------------|----------|
| 1 | 2150212 | Belt Cover | ベルトカバー | 1 |
| 2 | 110015 | Screw(M4-0.7 × 25) | 止ネジ | 2 |
| 3 | 2150213 | Supplementary Belt Cover | ベルト補助カバー | 1 |
| 4 | 110013 | Screw(M4-0.7 × 8) | 止ネジ | 2 |
| 5 | 2100339 | Supporting Board | 受ケ板 | 1 |
| 6 | 000070 | Hanging Nut | 吊リナット | 4 |
| 7 | 009861 | Hanging Bolt(Semi-submerged only) | 吊リボルト(半沈式のみ) | 4 |
| 8 | 2101450 | Spacer(15mm) | 受ケ板スペーサ | 4 |
| 9 | 2101451 | Spacer(5mm)(See the below) | 受ケ板スペーサ(下記参照) | 4 |
| 10 | 0020064 | Supporting Board Rubber Cushion | 受ケ板ゴム座 | 8 |
| 11 | 000162 | Washer(Semi-submerged) | ワッシャ(半沈式) | 4 |
| 11 | 000162 | Washer(Full-submerged) | ワッシャ(全沈式) | 12 |
| 12 | 000016 | Nut(Semi-submerged) | ナット(半沈式) | 8 |
| 12 | 000016 | Nut(Full-submerged) | ナット(全沈式) | 24 |
| 13 | 2100375 | Chute(Upper) Support | シュート(上)取付板 | 1 |
| 14 | 005624 | Screw(M4-0.7 × 10) | 止ネジ | 4 |
| 15 | 2100337 | Chute(Upper) | シュート(上) | 1 |
| 16 | 2100338 | Chute(Lower) | シュート(下) | 1 |
| 17 | 009864 | Hanging Bolt(Full-submerged only) | 吊リボルト(全沈式のみ) | 4 |
| 18 | 009871 | Bolt(Full-submerged only) | ボルト(全沈式のみ) | 4 |
| 19 | 0020057 | SupportingBoardConnector(Full-submergedonly) | 受ケ板支工具(全沈式のみ) | 2 |
| 20 | 0020045 | SupportingBoardSleeve(Full-submergedonly) | 受ケ板スリーブ(全沈式のみ) | 2 |
| 21 | 2100336 | Supplementary Chute Cover | シュート補助カバー | 1 |
| 22 | 000538 | Washer | ワッシャ | 1 |
| 23 | 140011 | Wing Bolt(M4-0.7 × 6) | チョウボルト | 1 |
| 24 | 2100374 | Chip Receiver(Semi-submerged only) | 切屑受ケ(半沈式のみ) | 1 |
| 25 | 350007 | Wood Screw(φ 3.5 × 16) | 木ネジ | 2 |
| 26 | 0020078 | Idler, C. Set(for Left Footing Pedal) | アイドラ(組) | 1 |
| 27 | 0020077 | Idler Support | アイドラ取付板 | 1 |
| 28 | 009992 | Screw(M4-0.7 × 10) | 止ネジ | 2 |
| 29 | 0020076 | Idler | アイドラ | 1 |
| 30 | 009995 | Screw(M3-0.5 × 5) | 止ネジ | 2 |
| 31 | 2150175 | Timming Gauge(AZ7000G-8) | タイミングゲージ | 1 |
| 32 | 000676 | Spring Washer | ワッシャ | 4 |
| 33 | 000666 | Washer | ワッシャ | 8 |

Note : Not necessary when the thickness of Table is 45mm.





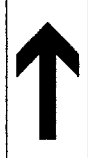


(注) テーブルの厚さ45mmのときは不要。

1



| Ref.No | Parts No. | Description | 品名 | Amt. Req |
|--------|-----------|-------------------------------------|---------------|----------|
| 1 | 9620694 | Thread Stand, C. Set(4 Spools Type) | 糸立台(組)(4本糸用) | 1 |
| 2 | 9620631 | Column Cap | コラムキャップ | 1 |
| 3 | 9620670 | Column Pipe(Upper) | コラムパイプ(上) | 1 |
| 4 | 9620689 | Thread Guide Holder(Large) | ガイドホルダ(大) | 1 |
| 5 | 911002 | Screw(M4-0.7 × 20) | 止ネジ | 1 |
| 6 | 911001 | Screw(M4-0.7 × 12) | 止ネジ | 3 |
| 7 | 910001 | Nut | ナット | 4 |
| 8 | 9620673 | Column Pipe Connector | コラムパイプ継手 | 1 |
| 9 | 911006 | Screw(M5-0.8 × 13) | 止ネジ | 2 |
| 10 | 910000 | Nut | ナット | 6 |
| 11 | 9620675 | Column Pipe(Lower) | コラムパイプ(下) | 1 |
| 12 | 930052 | Washer | ワッシャ | 1 |
| 13 | 930053 | Spring Washer | スプリングワッシャ | 1 |
| 14 | 910003 | Nut(M16-1.5) | ナット | 1 |
| 15 | 9620702 | Thread Hanger(2 Spools Type) | スレッドハンガ(2本糸用) | 4 |
| 16 | | | | |
| 17 | 9620700 | Thread Eyelet | アイレット | 4 |
| 18 | 9620688 | Thread Hanger Holder | スレッドハンガ抱キ | 4 |
| 19 | 911060 | Screw(M6-1 × 15) | 止ネジ | 4 |
| 20 | 9620691 | Thread Guide Arm | ガイドアーム | 1 |
| 21 | 9620690 | Thread Guide Holder(Small) | ガイドホルダ(小) | 1 |
| 22 | | | | |
| 23 | 9620678 | Spool Cushion | スプールクッション | 4 |
| 24 | 9620679 | Spool Pin | スプール軸 | 4 |
| 25 | 9620680 | Spool Mat | スプールマット | 4 |
| 26 | 9620681 | Spool Seat Disc | 受ケ皿 | 4 |
| 27 | 930055 | Spring Washer | スプリングワッシャ | 4 |
| 28 | 9620665 | Thread Guide(5 Spools Type) | スレッドガイド(5本糸用) | 1 |

WARNING LABEL 警告ラベル

| LABEL ラベル | Parts No. 品番 | Description 品名 |
|---|-----------------|---|
|  <p>CAUTION</p> <p>Do not operate without eye guard and safety devices. Before threading, changing needle, cleaning etc. switch off main switch.</p> | 390140 | CAUTION IN OPERATION |
|  <p>注意</p> <p>動く部分でけがをする。 安全保護装置をつけて縫製作業をすること。 電源を切ってから、糸通し、ボビンや針の交換、掃除や調整をすること。</p> | 390143 | 操作注意ラベル |
|  <p>高電圧警告 DANGER</p> <p>このカバーを開けるときは、電源スイッチを切った後、5分たってから開けること。</p> <p>To open this cover, turn off power supply and wait more than 5 minutes before opening.</p> | 390144 | DANGER : WARNING OF ELECTRIC SHOCK BY HIGH-VOLTAGE 感電注意ラベル |
|  | 390145 | "Be sure to connect earth line". アースラベル |
|  | 390146 | ROTATING-DIRECTION SYMBOL : CHECK CORRECT ROTATING DIRECTION 回転方向表示ラベル |
|  <p>ケガ注意 CAUTION</p> | 390147 | EYE GUARD : TAKE CARE NOT CAUSE INJURY TO EYES BELT COVER : DO NOT INSERT FINGERS ケガ注意ラベル |
|  <p>高温注意 CAUTION</p> | 390148 | CAUTION FOR HIGH TEMPERATURE : DO NOT TOUCH STEPPING MOTOR AND SOLENOID 高温注意ラベル |

LIST of MAIN SPARE PARTS
(主要部品リスト)

AZ7000G-8 Class LIST of MAIN SPARE PARTS(主要部品リスト)

| Main Parts Models | Needle Clamp 針止メ | Presser Foot, C. Set 押工(組) | Presser Foot Hinge 押工ヒンジ | Presser Foot (Lower) 押工(下) | Stitch Tongue 押工の爪 |
|----------------------|------------------------|-------------------------------------|-----------------------------------|-------------------------------------|--------------------------|
| AZ7000G-O4-8 | 2159106 | 2157086 | 2157000 | 2107030 | 2107004 |
| AZ7003G-O4-8 | 2159106 | 2157050 | 2157000 | 2157020 | 2157200 |
| O4-8/K2 | " | 2157062 | " | " | " |
| O4-8/B3 | " | 2157070 | " | " | 2157204 |
| O4-8/B3/K2 | " | 2157072 | " | " | " |
| AZ7020G-Y5-8 | 2159106 | 2157057 | 2157000 | 2157020 | 2157205 |
| Y5-8/K2 | " | 2157102 | " | " | " |
| Y6-8 | " | 2157058 | " | " | 2157206 |
| Y6-8/K2 | " | 2157103 | " | " | " |
| AZ7025G-Y5-8 | 2159106 | 2157118 | 2157000 | 2107631 | 2107650 |
| Y5-8/K2 | " | 2157121 | " | " | " |
| Y6-8 | " | 2157119 | " | " | 2107651 |
| Y6-8/K2 | " | 2157122 | " | " | " |
| AZ7016G-O2-8 | 2159106 | 2157185 | 2157002 | 0024505 | 0024506 |
| AZ7120G-Y5-8 | 2159106 | 2157058 | 2157000 | 2107020 | 2157206 |
| Y5-8/K2 | " | 2157102 | " | " | " |
| Y6-8 | " | 2157058 | " | " | 2157206 |
| Y6-8/K2 | " | 2157103 | " | " | " |
| Y8-8 | " | 2157081 | " | " | 2157212 |
| Y8-8/K2 | " | 2157083 | " | " | " |
| AZ7125G-Y5-8 | 2159106 | 2157119 | 2157000 | 2107631 | 2157651 |
| Y5-8/K2 | " | 2157122 | " | " | " |
| Y6-8 | " | 2157119 | " | " | 2157651 |
| Y6-8/K2 | " | 2157122 | " | " | " |

| Thread Chain Guide 空環ガイド | Stitch Plate 針板 | Differential Feed Dog 前送り | Main Feed Dog 後送り | Auxiliary Feed Dog 小送り | Upper Looper 上ルーパ | Lower Looper 下ルーパ |
|-----------------------------|--------------------|------------------------------|----------------------|---------------------------|----------------------|----------------------|
| | 2158040 | 2109000 | 2109001 | 2109067 | 2109320 | 2109347 |
| 0034535 | 2158041 | 2109005 | 2109006 | 2109067 | 2109320 | 2109347 |
| 2107219 | " | " | " | " | " | " |
| 0034535 | 2158042 | 2109010 | 2109011 | " | " | " |
| 2107219 | " | " | " | " | " | " |
| 0034535 | 2158043 | 2109005 | 2109006 | 2109067 | 2109323 | 2109347 |
| 2107219 | " | " | " | " | " | " |
| 0034535 | 2158044 | 2109009 | " | " | " | " |
| 2107219 | " | " | " | " | " | " |
| 0034535 | 2158043 | 2109005 | 2109006 | 2109067 | 2109323 | 2109347 |
| 2107219 | " | " | " | " | " | " |
| 0034535 | 2158044 | 2109009 | " | " | " | " |
| 2107219 | " | " | " | " | " | " |
| 0022156 | 2108017 | 2109017 | 2109018 | 2109019 | 2109320 | 2109347 |
| 0034535 | 2158045 | 2109009 | 2109006 | 2109067 | 2109323 | 2109347 |
| 2107219 | " | " | " | " | " | " |
| 0034535 | 2158044 | " | " | " | " | " |
| 2107219 | " | " | " | " | " | " |
| 0034535 | 2158047 | " | " | " | " | " |
| 2107219 | " | " | " | " | " | " |
| 0034535 | 2158045 | 2109009 | 2109006 | 2109067 | 2109323 | 2109347 |
| 2107219 | " | " | " | " | " | " |
| 0034535 | 2158044 | " | " | " | " | " |
| 2107219 | " | " | " | " | " | " |

INDEX

AZ7000G-8

Page = 1

| Parts No. | Page No. | Ref. No. | Weight(g) | Parts No. | Page No. | Ref. No. | Weight(g) | Parts No. | Page No. | Ref. No. | Weight(g) |
|-----------|----------|----------|-----------|-----------|----------|----------|-----------|-----------|----------|----------|-----------|
| 000009 | 22 | 8 | | 000666 | 26 | 33 | | 004237 | 21 | 10 | |
| 000010 | 2 | 6 | | 000669 | 11 | 6 | | 004237 | 23 | 26 | |
| 000014 | 4 | 42 | | 000669 | 22 | 6 | | 004404 | 20 | 8 | |
| 000014 | 9 | 35 | | 000676 | 26 | 32 | | | | | |
| 000016 | 26 | 12 | | 000688 | 7 | 27 | | 005036 | 8 | 43 | |
| 000016 | 26 | 12 | | 000690 | 11 | 34 | | 005036 | 14 | 16 | |
| 000035 | 6 | 26 | | 000726 | 1 | 36 | | 005036 | 15 | 8 | |
| 000070 | 26 | 6 | | 000755 | 20 | 5 | | 005036 | 18 | 12 | |
| 000162 | 26 | 11 | | 000932 | 16 | 20 | | 005036 | 19 | 10 | |
| 000162 | 26 | 11 | | 000933 | 16 | 21 | | 005036 | 21 | 8 | |
| 000172 | 14 | 34 | | | | | | 005036 | 23 | 24 | |
| 000172 | 25 | 20 | | 001123 | 1 | 4 | | 005040 | 22 | 15 | |
| 000177 | 4 | 9 | | 001196 | 14 | 43 | | 005075 | 1 | 30 | |
| 000178 | 4 | 7 | | 001203 | 2 | 21 | | 005345 | 6 | 31 | |
| 000322 | 4 | 26 | | 001225 | 14 | 42 | | 005505 | 22 | 20 | |
| 000334 | 14 | 35 | | 001225 | 25 | 30 | | 005506 | 25 | 24 | |
| 000334 | 22 | 19 | | 001227 | 25 | 27 | | 005624 | 26 | 14 | |
| 000334 | 25 | 22 | | 001228 | 16 | 16 | | | | | |
| 000361 | 23 | 10 | | 001230 | 15 | 20 | | 006035 | 4 | 24 | |
| 000393 | 6 | 45 | | 001230 | 19 | 12 | | 006444 | 14 | 48 | |
| 000419 | 13 | 30 | | 001230 | 21 | 21 | | 006816 | 1 | 22 | |
| 000444 | 2 | 9 | | 001330 | 25 | 18 | | 006861 | 13 | 29 | |
| 000444 | 8 | 42 | | 001331 | 14 | 37 | | 006905 | 22 | 10 | |
| 000444 | 15 | 7 | | 001892 | 20 | 29 | | | | | |
| 000444 | 18 | 11 | | 001900 | 6 | 23 | | 007006 | 14 | 28 | |
| 000444 | 19 | 9 | | | | | | 007619 | 14 | 46 | |
| 000444 | 21 | 7 | | 003636 | 5 | 22 | | 007623 | 20 | 21 | |
| 000444 | 23 | 23 | | 003637 | 1 | 10 | | | | | |
| 000456 | 13 | 41 | | 003637 | 2 | 23 | | 009624 | 14 | 31 | |
| 000526 | 5 | 23 | | 003637 | 23 | 6 | | 009814 | 22 | 31 | |
| 000528 | 11 | 38 | | | | | | 009861 | 26 | 7 | |
| 000532 | 7 | 14 | | 004097 | 8 | 45 | | 009864 | 26 | 17 | |
| 000533 | 14 | 27 | | 004106 | 14 | 45 | | 009871 | 26 | 18 | |
| 000535 | 23 | 11 | | 004131 | 16 | 6 | | 009960 | 22 | 5 | |
| 000535 | 25 | 13 | | 004131 | 20 | 10 | | 009992 | 26 | 28 | |
| 000538 | 15 | 23 | | 004138 | 16 | 10 | | 009995 | 26 | 30 | |
| 000538 | 26 | 22 | | 004139 | 20 | 11 | | | | | |
| 000561 | 11 | 39 | | 004150 | 14 | 33 | | 0010052 | 22 | 22 | |
| 000567 | 6 | 48 | | 004150 | 25 | 21 | | 0010112 | 22 | 24 | |
| 000567 | 13 | 6 | | 004204 | 16 | 14 | | 0010263 | 22 | 11 | |
| 000600 | 22 | 7 | | 004205 | 23 | 7 | | 0010290 | 22 | 25 | |
| 000623 | 22 | 23 | | 004236 | 20 | 14 | | 0010310 | 22 | 26 | |
| 000629 | 9 | 26 | | 004237 | 8 | 39 | | | | | |
| 000644 | 1 | 5 | | 004237 | 15 | 10 | | 0011987 | 22 | 30 | |
| 000644 | 4 | 25 | | 004237 | 16 | 8 | | | | | |
| 000644 | 17 | 8 | | 004237 | 18 | 14 | | 0020004 | 1 | 15 | |
| 000653 | 4 | 30 | | 004237 | 19 | 14 | | 0020005 | 1 | 16 | |
| 000665 | 14 | 9 | | 004237 | 20 | 7 | | 0020016 | 2 | 22 | |

INDEX

AZ7000G-8

Page = 2

| Parts No. | Page No. | Ref. No. | Weight(g) | Parts No. | Page No. | Ref. No. | Weight(g) | Parts No. | Page No. | Ref. No. | Weight(g) |
|-----------|----------|----------|-----------|-----------|----------|----------|-----------|-----------|----------|----------|-----------|
| 0020045 | 26 | 20 | | 0024084 | 4 | 3 | | 0060297 | 15 | 15 | |
| 0020057 | 26 | 19 | | 0024095 | 2 | 25 | | 0060297 | 16 | 28 | |
| 0020064 | 26 | 10 | | 0024130 | 15 | 21 | | | | | |
| 0020076 | 26 | 29 | | 0024130 | 19 | 1 | | 0068202 | 11 | 29 | |
| 0020077 | 26 | 27 | | 0024156 | 4 | 14 | | 0068517 | 3 | 15 | |
| 0020078 | 26 | 26 | | 0024156 | 14 | 56 | | | | | |
| 0020118 | 4 | 6 | | 0024157 | 4 | 5 | | 0080503 | 13 | 26 | |
| 0020137 | 1 | 29 | | 0024157 | 14 | 55 | | | | | |
| 0020271 | 8 | 44 | | 0024308 | 23 | 8 | | 0081848 | 23 | 16 | |
| 0020350 | 11 | 44 | | 0024421 | 16 | 5 | | | | | |
| 0020401 | 12 | 18 | | 0024446 | 2 | 20 | | 0093090 | 5 | 7 | |
| 0020491 | 14 | 2 | | 0024503 | 16 | 15 | | 0093303 | 4 | 37 | |
| 0020496 | 7 | 13 | | 0024505 | 16 | 4 | | 0093864 | 7 | 16 | |
| 0020538 | 11 | 36 | | 0024506 | 16 | 9 | | | | | |
| 0020538 | 13 | 44 | | | | | | 0095027 | 11 | 8 | |
| 0020700 | 25 | 14 | | 0030255 | 4 | 13 | | | | | |
| | | | | 0030748 | 13 | 27 | | 100000 | 11 | 40 | |
| 0021450 | 20 | 30 | | | | | | 100001 | 1 | 13 | |
| 0021451 | 20 | 26 | | 0031111 | 4 | 8 | | 100001 | 8 | 23 | |
| 0021456 | 20 | 28 | | 0031831 | 13 | 9 | | 100001 | 17 | 2 | |
| 0021457 | 20 | 27 | | | | | | 100002 | 11 | 5 | |
| | | | | 0032604 | 6 | 34 | | 100073 | 8 | 2 | |
| 0022156 | 16 | 7 | | 0032879 | 1 | 23 | | | | | |
| 0022215 | 4 | 46 | | 0032919 | 7 | 24 | | 110001 | 4 | 22 | |
| 0022430 | 25 | 16 | | 0032952 | 4 | 12 | | 110001 | 6 | 29 | |
| 0022431 | 25 | 19 | | 0032962 | 4 | 11 | | 110001 | 7 | 21 | |
| 0022432 | 25 | 17 | | | | | | 110001 | 24 | 6 | |
| 0022433 | 25 | 25 | | 0033024 | 3 | 14 | | 110002 | 4 | 43 | |
| 0022434 | 25 | 23 | | 0033627 | 1 | 24 | | 110002 | 6 | 36 | |
| 0022435 | 14 | 40 | | 0033711 | 23 | 9-2 | | 110002 | 9 | 36 | |
| 0022435 | 25 | 28 | | 0033935 | 22 | 18 | | 110003 | 2 | 28 | |
| 0022436 | 14 | 41 | | 0033936 | 22 | 17 | | 110003 | 25 | 12 | |
| 0022436 | 25 | 29 | | 0033937 | 22 | 16 | | 110004 | 7 | 15 | |
| 0022437 | 25 | 26 | | 0033938 | 22 | 14 | | 110004 | 8 | 34 | |
| 0022443 | 14 | 47 | | 0033939 | 22 | 2 | | 110004 | 12 | 3 | |
| 0022444 | 14 | 49 | | 0033940 | 22 | 27 | | 110004 | 14 | 12 | |
| 0022445 | 14 | 32 | | | | | | 110004 | 15 | 3 | |
| 0022446 | 14 | 36 | | 0034293 | 11 | 49 | | 110004 | 16 | 3 | |
| 0022447 | 14 | 38 | | 0034535 | 8 | 38 | | 110004 | 18 | 5 | |
| 0022448 | 14 | 39 | | 0034535 | 15 | 9 | | 110004 | 19 | 5 | |
| | | | | 0034535 | 18 | 13 | | 110004 | 21 | 3 | |
| 0023169 | 23 | 5 | | 0034535 | 19 | 13 | | 110004 | 23 | 19 | |
| 0023182 | 23 | 9-1 | | 0034535 | 23 | 25 | | 110006 | 6 | 18 | |
| 0023184 | 23 | 4 | | 0034867 | 14 | 25 | | 110009 | 4 | 36 | |
| 0023473 | 12 | 26 | | | | | | 110009 | 6 | 27 | |
| 0023580 | 16 | 22 | | 0036905 | 23 | 14 | | 110009 | 9 | 12 | |
| | | | | | | | | 110009 | 10 | 14 | |
| 0024083 | 4 | 4 | | 0060297 | 14 | 51 | | 110009 | 23 | 15 | |

INDEX

AZ7000G-8

Page = 3

| Parts No. | Page No. | Ref. No. | Weight(g) | Parts No. | Page No. | Ref. No. | Weight(g) | Parts No. | Page No. | Ref. No. | Weight(g) |
|-----------|----------|----------|-----------|-----------|----------|----------|-----------|-----------|----------|----------|-----------|
| 110009 | 25 | 15 | | 110068 | 20 | 23 | | 160002 | 6 | 4 | |
| 110011 | 6 | 33 | | 110070 | 12 | 24 | | 160002 | 7 | 4 | |
| 110012 | 1 | 12 | | 110071 | 9 | 17 | | 160002 | 9 | 23 | |
| 110012 | 2 | 11 | | 110073 | 4 | 29 | | 160003 | 6 | 8 | |
| 110012 | 3 | 9 | | 110076 | 2 | 8 | | 160003 | 7 | 8 | |
| 110012 | 7 | 18 | | 110094 | 24 | 3 | | 160003 | 10 | 8 | |
| 110012 | 8 | 8 | | 110106 | 2 | 15 | | 160003 | 12 | 29 | |
| 110012 | 15 | 22 | | | | | | 160007 | 5 | 2 | |
| 110012 | 19 | 2 | | 120006 | 6 | 6 | | 160007 | 8 | 26 | |
| 110013 | 1 | 33 | | 120006 | 7 | 6 | | 160007 | 11 | 21 | |
| 110013 | 2 | 2 | | 120006 | 9 | 5 | | 160007 | 12 | 10 | |
| 110013 | 3 | 7 | | 120006 | 10 | 5 | | 160016 | 6 | 19 | |
| 110013 | 4 | 2 | | 120006 | 11 | 2 | | 160027 | 5 | 14 | |
| 110013 | 4 | 20 | | 120010 | 8 | 17 | | | | | |
| 110013 | 6 | 46 | | 120013 | 9 | 32 | | 170032 | 2 | 5 | |
| 110013 | 26 | 4 | | 120017 | 1 | 28 | | 170045 | 8 | 11 | |
| 110015 | 26 | 2 | | 120017 | 8 | 20 | | 170060 | 4 | 34 | |
| 110016 | 1 | 18 | | 120027 | 12 | 12 | | 170065 | 8 | 15 | |
| 110016 | 11 | 43 | | 120049 | 6 | 2 | | | | | |
| 110017 | 11 | 45 | | 120049 | 7 | 2 | | 180001 | 8 | 12 | |
| 110026 | 4 | 44 | | 120049 | 9 | 2 | | 180002 | 12 | 23 | |
| 110026 | 12 | 33 | | 120049 | 10 | 2 | | 180002 | 16 | 24 | |
| 110031 | 1 | 14 | | 120049 | 13 | 4 | | 180003 | 12 | 28 | |
| 110033 | 11 | 26 | | | | | | 180014 | 10 | 18 | |
| 110035 | 7 | 12 | | 130001 | 9 | 16 | | | | | |
| 110036 | 10 | 17 | | 130002 | 12 | 15 | | 190001 | 11 | 41 | |
| 110038 | 14 | 8 | | 130003 | 3 | 25 | | 190015 | 2 | 13 | |
| 110042 | 20 | 32 | | 130003 | 12 | 35 | | 190016 | 4 | 10 | |
| 110044 | 23 | 12 | | 130020 | 4 | 40 | | 190088 | 8 | 1 | |
| 110045 | 1 | 6 | | | | | | | | | |
| 110045 | 13 | 32 | | 140000 | 11 | 17 | | 210009 | 9 | 30 | |
| 110046 | 7 | 26 | | 140001 | 11 | 11 | | | | | |
| 110047 | 14 | 50 | | 140002 | 10 | 12 | | 270001 | 20 | 25 | |
| 110047 | 25 | 31 | | 140003 | 6 | 13 | | | | | |
| 110048 | 3 | 3 | | 140004 | 9 | 21 | | 300000 | 11 | 4 | |
| 110050 | 8 | 36 | | 140011 | 26 | 23 | | 300004 | 1 | 27 | |
| 110050 | 14 | 53 | | 140012 | 14 | 5 | | 300008 | 6 | 12 | |
| 110050 | 15 | 12 | | 140014 | 7 | 30 | | 300008 | 9 | 20 | |
| 110050 | 18 | 7 | | | | | | 300008 | 10 | 11 | |
| 110050 | 19 | 16 | | 150004 | 3 | 10 | | 300040 | 16 | 25 | |
| 110050 | 21 | 12 | | | | | | 300043 | 1 | 34 | |
| 110050 | 23 | 28 | | 160001 | 1 | 8 | | 300106 | 10 | 19 | |
| 110053 | 13 | 45 | | 160001 | 5 | 4 | | | | | |
| 110054 | 2 | 32 | | 160001 | 8 | 31 | | 310001 | 6 | 42 | |
| 110064 | 3 | 19 | | 160001 | 9 | 10 | | 310005 | 6 | 40 | |
| 110064 | 12 | 2 | | 160001 | 11 | 33 | | 310017 | 20 | 4 | |
| 110064 | 17 | 7 | | 160001 | 12 | 37 | | 310065 | 9 | 28 | |
| 110065 | 8 | 22 | | 160001 | 13 | 3 | | 310073 | 13 | 20 | |

INDEX

AZ7000G-8

Page = 4

| Parts No. | Page No. | Ref. No. | Weight(g) | Parts No. | Page No. | Ref. No. | Weight(g) | Parts No. | Page No. | Ref. No. | Weight(g) |
|-----------|----------|----------|-----------|-----------|----------|----------|-----------|-----------|----------|----------|-----------|
| 310089 | 6 | 16 | | | | | | 2100219 | 10 | 9 | |
| 310089 | 9 | 24 | | 2049401 | 1 | 35 | | 2100221 | 9 | 19 | |
| 310090 | 13 | 42 | | | | | | 2100227 | 9 | 15 | |
| 310105 | 4 | 18 | | 2100006 | 1 | 1 | | 2100229 | 4 | 38 | |
| 310109 | 5 | 25 | | 2100009 | 7 | 22 | | 2100241 | 11 | 14 | |
| | | | | 2100011 | 1 | 7 | | 2100242 | 11 | 13 | |
| 320008 | 6 | 47 | | 2100012 | 1 | 9 | | 2100243 | 11 | 15 | |
| 320008 | 13 | 11 | | 2100014 | 1 | 3 | | 2100244 | 11 | 16 | |
| 320009 | 13 | 23 | | 2100032 | 13 | 43 | | 2100248 | 11 | 9 | |
| 320012 | 13 | 46 | | 2100035 | 3 | 1 | | 2100249 | 11 | 10 | |
| 320016 | 13 | 47 | | 2100037 | 3 | 21 | | 2100251 | 11 | 3 | |
| | | | | 2100047 | 3 | 4 | | 2100252 | 11 | 28 | |
| 330000 | 3 | 17 | | 2100050 | 14 | 17 | | 2100253 | 11 | 30 | |
| 330008 | 3 | 16 | | 2100052 | 14 | 19 | | 2100256 | 11 | 35 | |
| | | | | 2100088 | 9 | 3 | | 2100257 | 11 | 46 | |
| 340061 | 8 | 6 | | 2100088 | 10 | 3 | | 2100259 | 11 | 48 | |
| | | | | 2100098 | 5 | 34 | | 2100262 | 11 | 31 | |
| 350007 | 26 | 25 | | 2100099 | 8 | 25 | | 2100263 | 11 | 37 | |
| | | | | 2100105 | 5 | 17 | | 2100264 | 11 | 47 | |
| 390183 | 2 | 16 | | 2100117 | 5 | 19 | | 2100266 | 11 | 12 | |
| 390204 | 2 | 18 | | 2100134 | 17 | 3 | | 2100267 | 11 | 32 | |
| 390205 | 2 | 17 | | 2100136 | 6 | 11 | | 2100269 | 11 | 27 | |
| | | | | 2100137 | 6 | 7 | | 2100271 | 11 | 42 | |
| 910000 | 27 | 10 | | 2100138 | 6 | 14 | | 2100272 | 5 | 29 | |
| 910001 | 27 | 7 | | 2100144 | 6 | 3 | | 2100275 | 12 | 21 | |
| 910003 | 27 | 14 | | 2100145 | 6 | 32 | | 2100276 | 12 | 22 | |
| | | | | 2100152 | 6 | 39 | | 2100277 | 12 | 19 | |
| 911001 | 27 | 6 | | 2100160 | 17 | 11 | | 2100278 | 12 | 20 | |
| 911002 | 27 | 5 | | 2100161 | 7 | 7 | | 2100279 | 12 | 27 | |
| 911006 | 27 | 9 | | 2100161 | 9 | 9 | | 2100280 | 12 | 16 | |
| 911060 | 27 | 19 | | 2100161 | 10 | 7 | | 2100283 | 12 | 13 | |
| | | | | 2100162 | 7 | 5 | | 2100284 | 12 | 17 | |
| 930052 | 27 | 12 | | 2100164 | 7 | 11 | | 2100288 | 11 | 20 | |
| 930053 | 27 | 13 | | 2100165 | 7 | 10 | | 2100289 | 12 | 25 | |
| 930055 | 27 | 27 | | 2100166 | 7 | 25 | | 2100318 | 3 | 8 | |
| | | | | 2100167 | 7 | 28 | | 2100336 | 26 | 21 | |
| 1090133 | 22 | 21 | | 2100168 | 7 | 29 | | 2100337 | 26 | 15 | |
| | | | | 2100173 | 7 | 3 | | 2100338 | 26 | 16 | |
| 1094011 | 22 | 3 | | 2100174 | 7 | 19 | | 2100339 | 26 | 5 | |
| | | | | 2100176 | 6 | 15 | | 2100346 | 16 | 23 | |
| 1096000 | 22 | 12 | | 2100177 | 16 | 26 | | 2100349 | 14 | 6 | |
| 1096004 | 22 | 28 | | 2100189 | 8 | 28 | | 2100353 | 14 | 7 | |
| 1096005 | 22 | 29 | | 2100192 | 8 | 21 | | 2100354 | 14 | 4 | |
| | | | | 2100199 | 8 | 30 | | 2100374 | 26 | 24 | |
| 1097000 | 22 | 4 | | 2100211 | 10 | 10 | | 2100375 | 26 | 13 | |
| 1097001 | 22 | 9 | | 2100215 | 10 | 1 | | 2100385 | 14 | 1 | |
| | | | | 2100215 | 17 | 14 | | 2100502 | 6 | 28 | |
| 1298000 | 22 | 13 | | 2100218 | 17 | 16 | | 2100518 | 8 | 19 | |

INDEX

AZ7000G-8

Page = 5

| Parts No. | Page No. | Ref. No. | Weight(g) | Parts No. | Page No. | Ref. No. | Weight(g) | Parts No. | Page No. | Ref. No. | Weight(g) |
|-----------|----------|----------|-----------|-----------|----------|----------|-----------|-----------|----------|----------|-----------|
| 2100533 | 6 | 41 | | 2101026 | 14 | 24 | | 2109017 | 16 | 17 | |
| 2100534 | 2 | 27 | | 2101027 | 14 | 23 | | 2109018 | 16 | 18 | |
| 2100535 | 6 | 43 | | 2101050 | 23 | 13 | | 2109019 | 16 | 19 | |
| 2100536 | 6 | 44 | | 2101059 | 20 | 31 | | 2109067 | 12 | 32 | |
| 2100538 | 2 | 19 | | | | | | 2109070 | 25 | 1 | |
| 2100580 | 8 | 5 | | 2101133 | 23 | 2 | | 2109072 | 25 | 3 | |
| 2100642 | 5 | 36 | | 2101134 | 23 | 3 | | 2109074 | 25 | 2 | |
| 2100642 | 6 | 20 | | 2101416 | 17 | 12 | | 2109076 | 25 | 4 | |
| 2100667 | 9 | 25 | | 2101418 | 17 | 13 | | 2109320 | 14 | 54 | |
| 2100671 | 11 | 22 | | 2101435 | 14 | 3 | | 2109320 | 15 | 14 | |
| 2100672 | 11 | 23 | | 2101450 | 26 | 8 | | 2109320 | 16 | 27 | |
| 2100673 | 11 | 24 | | 2101451 | 26 | 9 | | 2109323 | 9 | 29 | |
| 2100674 | 11 | 25 | | | | | | 2109347 | 10 | 15 | |
| 2100851 | 9 | 34 | | 2107004 | 14 | 14 | | 2109349 | 25 | 10 | |
| 2100854 | 9 | 33 | | 2107030 | 14 | 13 | | 2109907 | 23 | 1 | |
| 2100856 | 2 | 31 | | 2107219 | 18 | 16 | | 2109932 | 22 | 1 | |
| 2100861 | 3 | 13 | | 2107219 | 21 | 9 | | | | | |
| 2100864 | 1 | 20 | | 2107631 | 15 | 17 | | 2110026 | 3 | 6 | |
| 2100865 | 12 | 1 | | 2107631 | 19 | 6 | | 2110027 | 3 | 5 | |
| 2100866 | 12 | 4 | | 2107631 | 21 | 18 | | 2110181 | 5 | 3 | |
| 2100867 | 12 | 5 | | 2107640 | 14 | 15 | | 2110183 | 5 | 6 | |
| 2100868 | 12 | 8 | | 2107643 | 8 | 41 | | 2110184 | 5 | 5 | |
| 2100869 | 12 | 6 | | 2107643 | 15 | 6 | | 2110261 | 13 | 14 | |
| 2100870 | 12 | 7 | | 2107643 | 18 | 10 | | | | | |
| 2100872 | 5 | 15 | | 2107643 | 19 | 8 | | 2111050 | 20 | 2 | |
| 2100873 | 3 | 23 | | 2107643 | 21 | 6 | | 2111051 | 20 | 3 | |
| 2100874 | 3 | 24 | | 2107643 | 23 | 22 | | 2111055 | 20 | 9 | |
| 2100875 | 1 | 26 | | 2107650 | 15 | 18-1 | | 2111056 | 20 | 13 | |
| 2100884 | 9 | 18 | | 2107650 | 21 | 19-1 | | 2111057 | 20 | 15 | |
| 2100890 | 9 | 37 | | 2107651 | 19 | 7 | | 2111058 | 20 | 22 | |
| 2100892 | 9 | 27 | | 2107651 | 21 | 19-2 | | 2111059 | 20 | 12 | |
| 2100895 | 13 | 40 | | 2107670 | 15 | 19 | | 2111060 | 20 | 19 | |
| 2100896 | 13 | 39 | | 2107670 | 19 | 11 | | 2111061 | 20 | 17 | |
| 2100899 | 6 | 5 | | 2107670 | 21 | 20 | | 2111062 | 20 | 16 | |
| 2100900 | 9 | 1 | | | | | | 2111063 | 20 | 6 | |
| 2100902 | 10 | 6 | | 2108015 | 16 | 13 | | 2111066 | 20 | 18 | |
| 2100903 | 9 | 22 | | 2108016 | 16 | 11 | | 2111067 | 20 | 20 | |
| 2100918 | 3 | 20 | | 2108017 | 16 | 12 | | | | | |
| 2100921 | 3 | 2 | | | | | | 2119323 | 17 | 17 | |
| 2100928 | 13 | 18 | | 2109000 | 14 | 21 | | | | | |
| 2100929 | 13 | 19 | | 2109001 | 14 | 22 | | 2121234 | 17 | 9 | |
| 2100957 | 13 | 15 | | 2109005 | 12 | 30-1 | | | | | |
| 2100961 | 3 | 11 | | 2109006 | 12 | 31 | | 2129420 | 2 | 29 | |
| | | | | 2109009 | 12 | 30-2 | | | | | |
| 2101011 | 20 | 24 | | 2109009 | 18 | 2 | | 2150015 | 1 | 11 | |
| 2101020 | 14 | 30 | | 2109009 | 19 | 18 | | 2150017 | 3 | 18 | |
| 2101021 | 14 | 29 | | 2109010 | 23 | 30 | | 2150018 | 2 | 4 | |
| 2101022 | 14 | 44 | | 2109011 | 23 | 31 | | 2150019 | 7 | 20 | |

INDEX

AZ7000G-8

Page =6

| Parts No. | Page No. | Ref. No. | Weight(g) | Parts No. | Page No. | Ref. No. | Weight(g) | Parts No. | Page No. | Ref. No. | Weight(g) |
|-----------|----------|----------|-----------|-----------|----------|----------|-----------|-----------|----------|----------|-----------|
| 2150020 | 7 | 17 | | 2150108 | 4 | 33 | | 2150428 | 7 | 1 | |
| 2150021 | 7 | 23 | | 2150114 | 4 | 27 | | 2150429 | 9 | 13 | |
| 2150022 | 3 | 12 | | 2150115 | 4 | 23 | | 2150430 | 9 | 31 | |
| 2150023 | 2 | 10 | | 2150116 | 4 | 15 | | 2150602 | 17 | 4 | |
| 2150024 | 2 | 12 | | 2150124 | 4 | 21 | | 2150710 | 13 | 24 | |
| 2150025 | 2 | 14 | | 2150125 | 2 | 7 | | 2150712 | 5 | 11 | |
| 2150026 | 1 | 19 | | 2150130 | 9 | 11 | | 2150713 | 13 | 25 | |
| 2150030 | 4 | 16 | | 2150139 | 8 | 24 | | 2150714 | 13 | 1 | |
| 2150031 | 4 | 17 | | 2150140 | 8 | 27 | | 2150722 | 13 | 12 | |
| 2150032 | 4 | 19 | | 2150141 | 8 | 29 | | 2150723 | 13 | 7 | |
| 2150034 | 4 | 35 | | 2150142 | 8 | 16 | | 2150724 | 13 | 10 | |
| 2150035 | 6 | 37 | | 2150143 | 8 | 13 | | 2150725 | 13 | 16 | |
| 2150038 | 5 | 10 | | 2150144 | 8 | 18 | | 2150726 | 13 | 17 | |
| 2150039 | 5 | 16 | | 2150148 | 8 | 10 | | 2150727 | 2 | 1 | |
| 2150040 | 5 | 24 | | 2150149 | 8 | 3 | | 2150728 | 2 | 24 | |
| 2150041 | 5 | 26 | | 2150150 | 6 | 49 | | 2151000 | 20 | 33 | |
| 2150042 | 5 | 32 | | 2150155 | 8 | 9 | | 2151015 | 25 | 11 | |
| 2150043 | 5 | 18 | | 2150156 | 8 | 7 | | 2151054 | 1 | 21 | |
| 2150044 | 5 | 30 | | 2150157 | 25 | 5 | | 2151055 | 2 | 26 | |
| 2150045 | 5 | 31 | | 2150158 | 8 | 46 | | 2151056 | 1 | 32 | |
| 2150046 | 5 | 27 | | 2150159 | 8 | 4 | | 2151057 | 24 | 5 | |
| 2150047 | 5 | 28 | | 2150175 | 26 | 31 | | 2151058 | 24 | 7 | |
| 2150048 | 5 | 21 | | 2150202 | 13 | 21 | | 2151059 | 24 | 4 | |
| 2150049 | 5 | 20 | | 2150207 | 13 | 22 | | 2151066 | 24 | 2 | |
| 2150050 | 5 | 35 | | 2150209 | 5 | 12 | | 2151067 | 24 | 1 | |
| 2150051 | 6 | 17 | | 2150210 | 1 | 2 | | | | | |
| 2150053 | 6 | 10 | | 2150211 | 14 | 18 | | 2157000 | 8 | 33 | |
| 2150054 | 6 | 9 | | 2150212 | 26 | 1 | | 2157000 | 14 | 11 | |
| 2150056 | 13 | 37 | | 2150213 | 26 | 3 | | 2157000 | 15 | 2 | |
| 2150057 | 6 | 24 | | 2150214 | 5 | 1 | | 2157000 | 18 | 4 | |
| 2150058 | 6 | 25 | | 2150225 | 9 | 4 | | 2157000 | 19 | 4 | |
| 2150060 | 7 | 9 | | 2150226 | 10 | 4 | | 2157000 | 21 | 2 | |
| 2150063 | 12 | 9 | | 2150255 | 17 | 5 | | 2157000 | 23 | 18 | |
| 2150064 | 11 | 1 | | 2150256 | 17 | 10 | | 2157002 | 16 | 2 | |
| 2150065 | 11 | 18 | | 2150258 | 17 | 15 | | 2157020 | 8 | 37 | |
| 2150066 | 11 | 19 | | 2150259 | 17 | 1 | | 2157020 | 15 | 4 | |
| 2150067 | 12 | 34 | | 2150283 | 4 | 28 | | 2157020 | 18 | 8 | |
| 2150069 | 3 | 22 | | 2150287 | 1 | 17 | | 2157020 | 21 | 4 | |
| 2150069 | 5 | 33 | | 2150289 | 12 | 14 | | 2157020 | 23 | 20 | |
| 2150070 | 9 | 6 | | 2150290 | 12 | 11 | | 2157040 | 8 | 35 | |
| 2150075 | 9 | 8 | | 2150291 | 12 | 36 | | 2157040 | 14 | 52 | |
| 2150075 | 11 | 7 | | 2150325 | 13 | 31 | | 2157040 | 15 | 11 | |
| 2150096 | 5 | 9 | | 2150415 | 17 | 18 | | 2157040 | 18 | 6 | |
| 2150102 | 13 | 28 | | 2150418 | 17 | 6 | | 2157040 | 19 | 15 | |
| 2150104 | 13 | 2 | | 2150422 | 4 | 45 | | 2157040 | 21 | 11 | |
| 2150105 | 6 | 1 | | 2150423 | 4 | 41 | | 2157040 | 23 | 27 | |
| 2150106 | 4 | 31 | | 2150424 | 10 | 13 | | 2157050 | 15 | 1 | |
| 2150107 | 4 | 32 | | 2150425 | 4 | 39 | | 2157057 | 8 | 32-1 | |

Yamato

ヤマトマシン製造株式会社

YAMATO SEWING MACHINE MFG. CO., LTD.

4-4-12, NISHITENMA, KITA-KU, OSAKA, JAPAN

TEL : 81-6-6364-1321 FAX : 81-6-6364-1307

〒530-0047 大阪市北区西天満4丁目4番12号

TEL(06)6364-1321(代) FAX(06)6365-5176

P/N 9710126(P)

No. 3 Edited in 2006.7

(AZ7000G-8)

Printed in Japan 2006.7.2H①