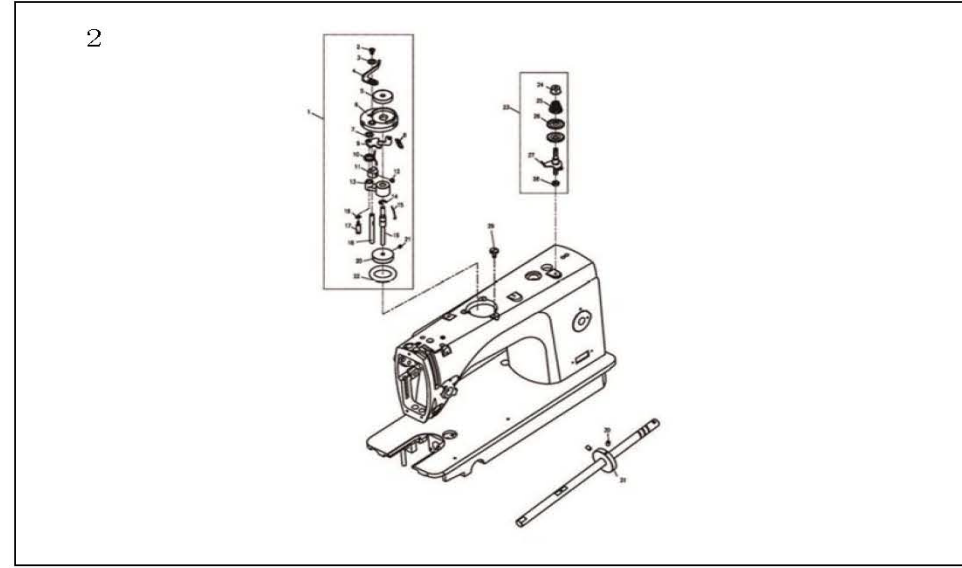


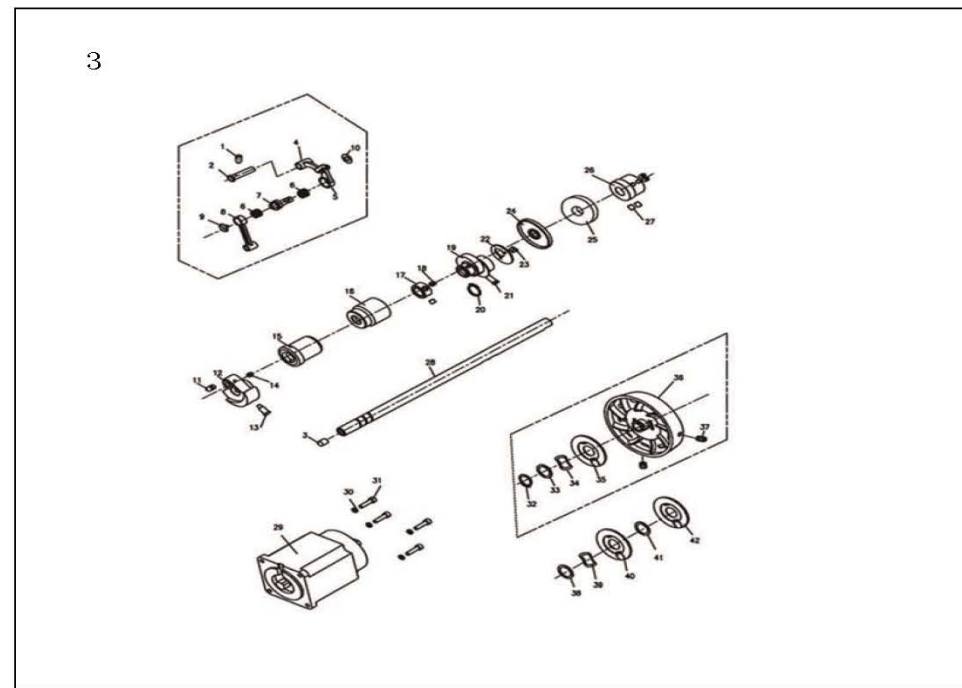
1. 机壳、外装分组件 Machine frame & miscellaneous cover components

序号NO.	公司件号	Part NO.	名称 PartName	零件描述 Description	数量 Number
1	101S11001		后盖板螺钉	Screw	3
2	101S12003		橡胶调节孔塞	Rubber plug	2
3	101S11001		机头盖	Head cover	1
4	3002039		面板片盖	Face plate ass	1
5	11422065		面板垫	Panel pad	1
6	101S11027		脚踏板螺钉	Screw	1
7	10412007		脚踏板油板	Arm oil shield ass.	1
8	11412082		脚踏板油板 (厚料)	Arm oil shield ass.	1
9	101S11007		压线板螺钉	Screw	1
10	101S13004		压线板	Arm thread guide A	1
11	101S12002		针杆上轴套	Rubber plug	1
12	101S12005		挑线器轴套	Rubber plug	1
13	11410008		小夹器螺钉	First tension post	1
14	101S12004		针杆轴衬孔塞	Rubber plug	1
15	300611		挑线杆护罩	Thread take-up lever cover	1
16	101S11004		挑线杆护罩螺钉	Screw	1
17	13512004		三孔线勾	3-hole wire hook	1
18	101S11001		后盖板螺钉	Screw	9
19	11412036		侧盖板	Holding plate	2
20	11312036		侧盖板	Slide plate	1
21	11312015		后盖板垫	Gasket	1
22	11419001		剃线刀	Knife	1
23	114S11015		剃线刀螺钉	Screw	2
24	20722002		油盖	Rubber plug	1
25	30122006		油嘴	Rubber plug	2
26	11332020		一体机电控组件 (线)	electronic control module	1
1143302200			迅利II电控组件 (扁盖)	electronic control module	1
11333030			9825EQ电控组件 (扁盖)	electronic control module	1
11333012			9200EQ电控组件 (扁盖)	electronic control module	1
27	9015009		脚踏板衬套	Flat washer	1
28	114S13001		JFK-直驱电机螺钉M5×20	Screw	1
29	114S30001		螺栓 (内六角)	Bolt	2
30	805146		6B/77.0 螺钉 M5×40	Screw	1
31	101S15013		脚踏板衬套定位螺钉 (粗牙)	Screw	1
32	101S12006		橡胶调节孔塞	Rubber plug	1
33	101S12007		下轴衬套孔塞	Rubber plug	1
34	101S11019		推板架螺钉	Screw SM3/32*56 L4.9	2
35	101S12001		床固定柱	Bed screw stud	4
36	11412066		小夹器过线板	Thread tension guide	1
37	11212004		小夹器板	Bobbin winder tension disc	1
38	11212001		小夹器弹簧	Thread tension spring	1
39	11410008		小夹器螺钉	First tension post	1
40	101S16019		小夹器螺母	Thread tension nut	1
41	1141300400		小夹器轴套	Thread tension ass.	1
42	11322014		橡皮套 (三孔)	Rubber bushing	1
43	101S13004		后盖板	Arm thread guide B	1
44	101S11007		压线板螺钉	Screw SM11/64*40 L4.6	1
45	101S15006		挑线器螺钉	Screw	1
46	11426020		挑线器螺钉	Tension release supporting washer	1
47	101S12801		挑线器垫片	Washer	1
48	101S2802		挑线器	Tension releasing	1
49	101S27003		挑线器弹簧	Tension release posn spring	1
50	101S22014		挑线器调节座O型圈	Rubber ring	1
51	101S15006		挑线器螺钉	Screw SM9/64*40 L4.5	1
52	10403009		挑线器调节座	Tension post socket	1
53	101S12005		挑线器	Thread tension disc	2
54	101S12006		挑线板	Thread tension post	1
55	101S12002		挑线器螺母	Thread tension nut	1
56	101S27002		挑线器弹簧	Tension spring A	1
57	101S12007		挑线器轴套	Rotating stopper	1
58	101S16013		挑线器螺母	Tension nut	1
59	1041302020		挑线器轴套	Thread tension ass.	1
60	400527		挑线器轴套 (厚料)	Thread tension ass.	1
61	101S12002		挑线器轴套	Ruler stepper	1
62	101S11002		挑线器轴套	Screw SM11/64*40 L4.5	1
63	104S17002		挑线器轴套 (进口)	Screw SM11/64*40 L4.5	2
11414006			挑线器轴套 (进口)	Throat plate	2
11313001			挑线器轴套 (进口)	Throat plate	1
64	510008		挑线器轴套	plug	1
65	1143002700		挑线器轴套	plug	1
66	401S16001		挑线器轴套	Nut	1
67	11413011		挑线器轴套	Presser bar thread guide	1
68	101S11007		挑线器轴套	Screw	1
69	11413013		挑线器轴套	Arm thread guide B	1
70	101S15002		挑线器轴套	Slide plate ass.	1
71	101S27009		挑线器轴套	Bed slide spring	1
72	101S11004		挑线器轴套	Screw	1
73	11333022		迅利II电控盖壳 (线)	Control box cover (powermax)	1
11333023			9825EQ电控盖壳 (线)	Control box cover (powermax)	1
11333024			9200EQ电控盖壳 (线)	Control box cover (powermax)	1

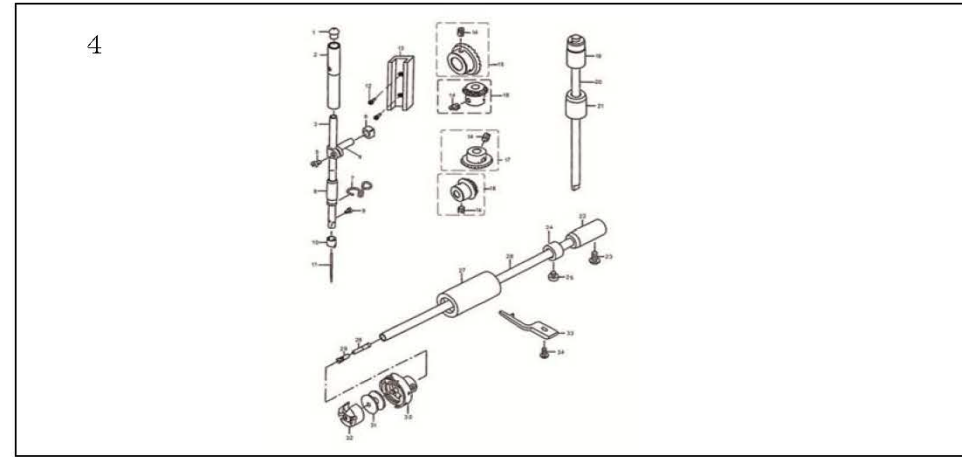


2. 绕线器组件 Bobbin components

序号NO.	公司件号	Part NO.	名称 PartName	零件描述 Description	数量 Number
1	1143103600		绕线器组件	Bobbin winder unit	1
2	114S11008		螺钉	Screw	1
3	11428009		平垫圈	Flat washer	1
4	11413012		压线板衬板	Line pressing board	1
5	11411003		绕线器衬套	winding gasket	1
6	114S1002		绕线器盖罩	Bobbin winder device master	1
7	11428010		平垫圈	Flat washer	1
8	11427036		弹簧	Spring	1
9	11401058		调节板	Adjustable lever	1
10	11427037		绕线器复位簧	winding device reset spring	1
11	11410003		绕线器凸轮	winding CAM	1
12	809042		M5×5 螺钉	Screw	1
13	11405022		绕线器轴套	connecting rod	1
14	805206		6B/7 896-1988轴套	Spring	1
15	11427038		弹簧	Spring	1
16	803016		6B/7 894.1-1988轴套	Screw	1
17	114S11001		螺钉	screw pin	1
18	11420244		绕线器轴套	colling the camshaft	1
19	11420243		绕线器轴套	Bobbin winder shaft	1
20	11431050		轴套	the winder	1
21	809040		6B/7 77-2000 螺钉M5×6	Screw	1
22	001053		O型圈	Rubber ring	1
23	1141300600		绕线器轴套	Thread tension ass.	1
24	11411004		螺母	nut	1
25	11427006		小夹器弹簧	Thread tension spring	1
26	11413003		绕线器轴套	Thread tension ass.	2
27	1141300300		绕线器轴套	Bobbin winder stud components	1
28	114S16001		螺钉 SM11/64*40	nut	1
29	114S11003		螺钉 SM3/16*28	Screw	3
30	113314002		驱动轮螺钉	Driving wheel screw	2
31	11435013		绕线器驱动轮	Bobbin winder driving wheel	1



3. 上轴挑线分组件 Main shaft & thread take-up components

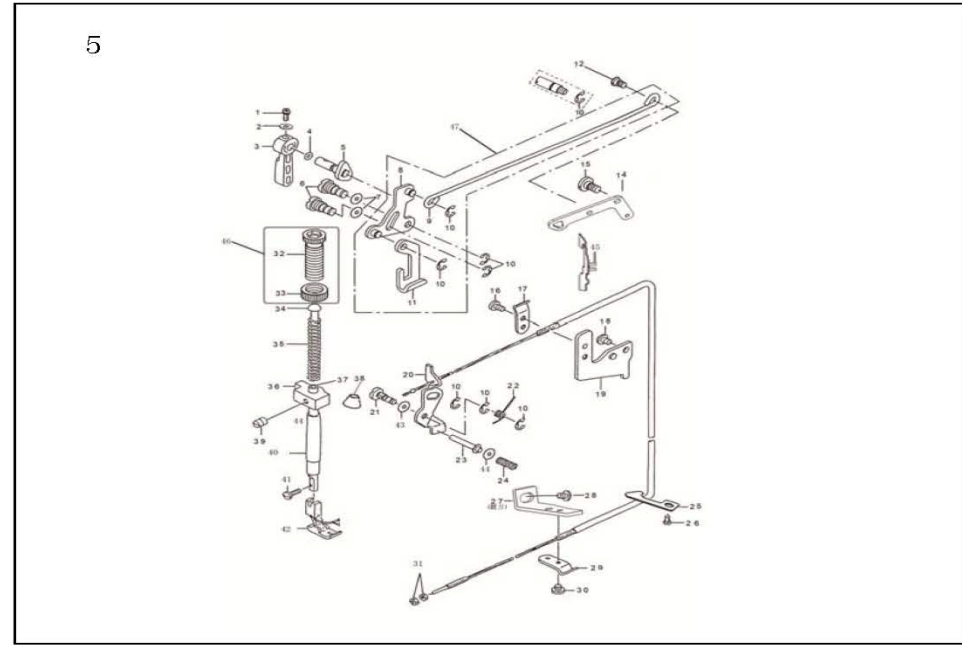


4. 针杆、竖轴、下轴部件 Needle bar, Upright shaft & Hook driving shaft components

序号NO.	公司件号	Part NO.	名称 PartName	零件描述 Description	数量 Number
1	101S2013		针杆上衬套	Cap	1
2	101S3009		针杆上衬套	Needle bar bushing upper	1
3	11420239		针杆	Needle bar	1
4	10102021		针杆 (厚料)	Needle bar	1
5	10138002		针杆连接柱	Needle rod holder ass.	1
6	101S11005		螺钉	Screw SM9/64*40 L4.6	1
7	101S2001		针杆连接柱滑套	Slide block	1
8	10413001		针杆下衬套	Needle bar thread guide	1
9	10113009		针杆下衬套 (厚料)	Needle bar thread guide	1
10	10103010		针杆下衬套	Needle bar bushing, lower	1
11	10103023		针杆下衬套	Needle bar bushing, lower	1
9	104S11006		支轴螺钉 (进口)	Screw SM11/64*40 L4.5	1
10	101S3002		针杆轴套	Needle bar thread guide	1
11	10117001		机针 (14#)	Needle	1
10117002			机针 DP×5#21 (厚料)	Needle	1
12	101S11008		滑块导轨螺钉	Screw SM11/64*40 L4.8	2
13	101S2002		针杆头滑块导轨	Needle bar guide	1
14	101S1007		螺钉	Screw SM11/64*40 L4.4	4
15	1042S004		上轴套	Gear & pinion ass., upper	1
16	1042S003		下轴套	Gear ass. large	1
17	1042S002		平垫圈	Finion ass.	1
18	1042S001		下轴套	Finion ass.	1
19	1040S004		压脚升降轴套	Upright shaft bushing, upper	1
20	10102007		压脚轴套	Upright shaft	1
21	1040S013		压脚轴套	Upright shaft bushing, lower	1
22	1040S019		下轴套	Bushing, rear	1
23	105S11019		下轴套	Screw SM3/16*28 L4.9	1
24	101S0802		下轴套	Thrust collar ass.	1
25	101S1012		下轴套	Screw SM11/64*40 L4.8	2
26	11304003		下轴套	Lower shaft	1
27	11303001		下轴套	Lower shaft front metal	1
28	101S2003		下轴套	Oil wick	1
29	101S3005		下轴套	Oil seal screw	1
30	11418003		广东厚料轴套 (扩大轴衬范围)	Hook ass. (Hirose)	1
11418007			钩尖轴套 (国产)	Hook ass. (china)	1
11418007			钩尖轴套 (进口)	Hook ass. (Hirose)	1
11418004			钩尖轴套 (新) (青尾巴)	Hook ass.	1
31	101S18003		螺母	Bobbin	1
32	11218504		螺母	Bobbin case ass.	1
33	101S12016		螺母	Positioning finger	1
34	101S12032		螺母	Positioning finger	1
101S11011			螺母	Screw SM11/64*40 L4.9.5	1

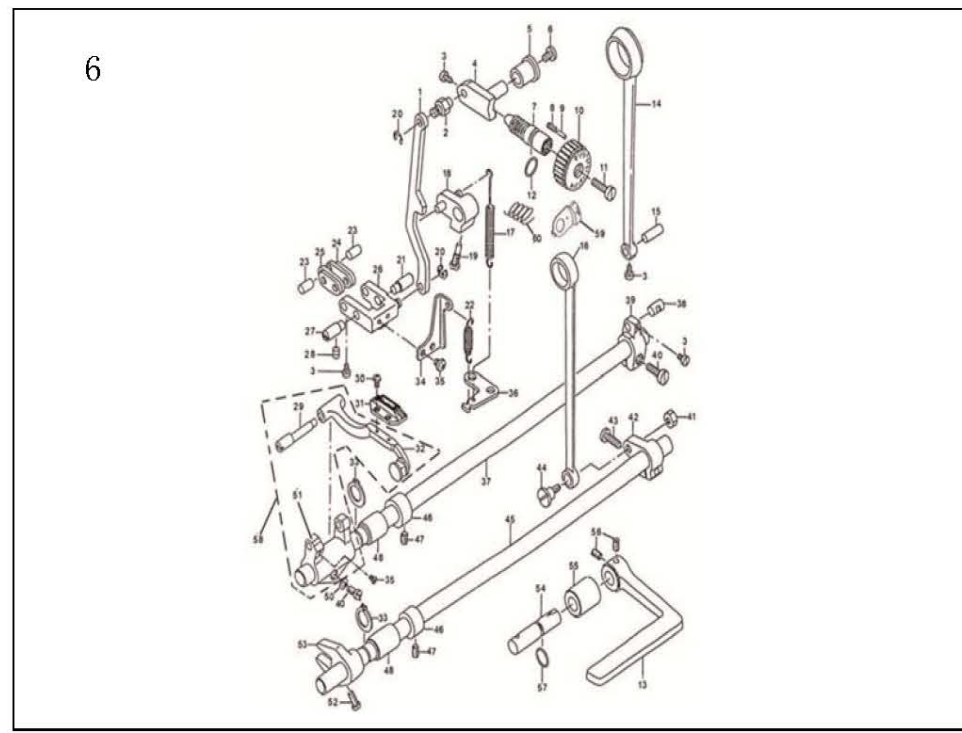
3. 上轴挑线分组件 Main shaft & thread take-up components

序号 NO.	公司件号	Part NO.	名称 PartName	零件描述 Description	数量 Number
1	101S15001		上轴套	Screw SM15/64*28 L4.5	1
2	101S2001		挑线器轴套	Thread take-up crank shaft	1
3	101S2012		挑线器轴套	Thread take-up crank shaft	1
4	10105001		挑线器轴套	Thread take-up crank rod	1
5	1013800100		挑线器轴套	Thread take-up lever ass.	1
1133800200			挑线器轴套	Thread take-up lever ass.	1
6	101S2401		挑线器轴套	Needle bearing	2
7	1011000100		挑线器轴套	Needle bar crank	1
1011000400			挑线器轴套	Needle bar crank	1
8	10105002		挑线器轴套	Needle bar crank rod	1
9	101S17001		挑线器轴套 (左旋)	Left screw	1
10	10112003		挑线器轴套	Counter weight protecting	1
11	101S15004		挑线器轴套	Screw SM9/32*28 L4.6	1
12	10404003		挑线器轴套	Counter weight For	1
11404035			挑线器轴套	Counter weight	1
13	101S11003		挑线器轴套	Screw SM9/32*28 L4.6	1
101S15002			挑线器轴套	Screw SM1/4*40 L4.6	2
15	114030200		挑线器轴套	Main shaft front bushing	1
16	12230002		挑线器轴套	Bushing, intermediate	1
17	10108001		挑线器轴套	Thrust collar ass.	1
18	101S15002		挑线器轴套	Screw SM1/4*40 L4.6	1
19	400092		挑线器轴套	Feed drive eccentric cam ass.	1
400096			挑线器轴套	Feed drive eccentric cam ass.	1
8033002			挑线器轴套	Snipe ring	1
20	101S15002		挑线器轴套	Screw SM1/4*40 L4.6	2
101S12017			挑线器轴套	Thrust collar	1
113S11003			挑线器轴套	Screw SM9/64*40 L4.5	2
11422028			挑线器轴套	Oil seal	1
25	807042		挑线器轴套	Bearing 685ZZ	1
11420340			挑线器轴套	Up shaft linkbar	1
27	810037		挑线器轴套	Screw	4
11420240			挑线器轴套	Up shaft	1
11333021			挑线器轴套	electronic data processing for powermax	1
11411038			挑线器轴套	electronic data processing for qiking	1
902026			挑线器轴套	Spring washer	4
114S13001			挑线器轴套	Screw	4
32	300822		挑线器轴套	handle	1
803010			挑线器轴套	sawp rings	1
11228007			挑线器轴套	Flat washer	1
903011			挑线器轴套	waveform gaskets	1
11420514			挑线器轴套	magnet steel plates	1
810009			挑线器轴套	Screw	2
11228006			挑线器轴套	pressure ring	1
11228004			挑线器轴套	waveform gaskets	1
11239004			挑线器轴套	the needle on a substrate	1
11239005			挑线器轴套	energy ring	1
11239005			挑线器轴套	under the needle a substrate	1



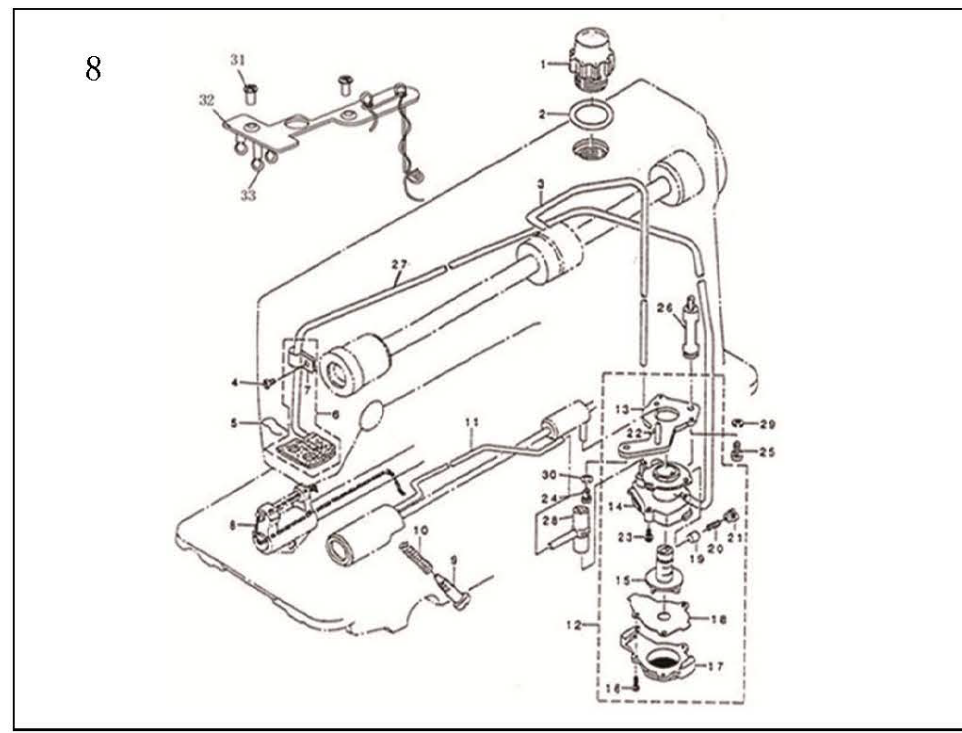
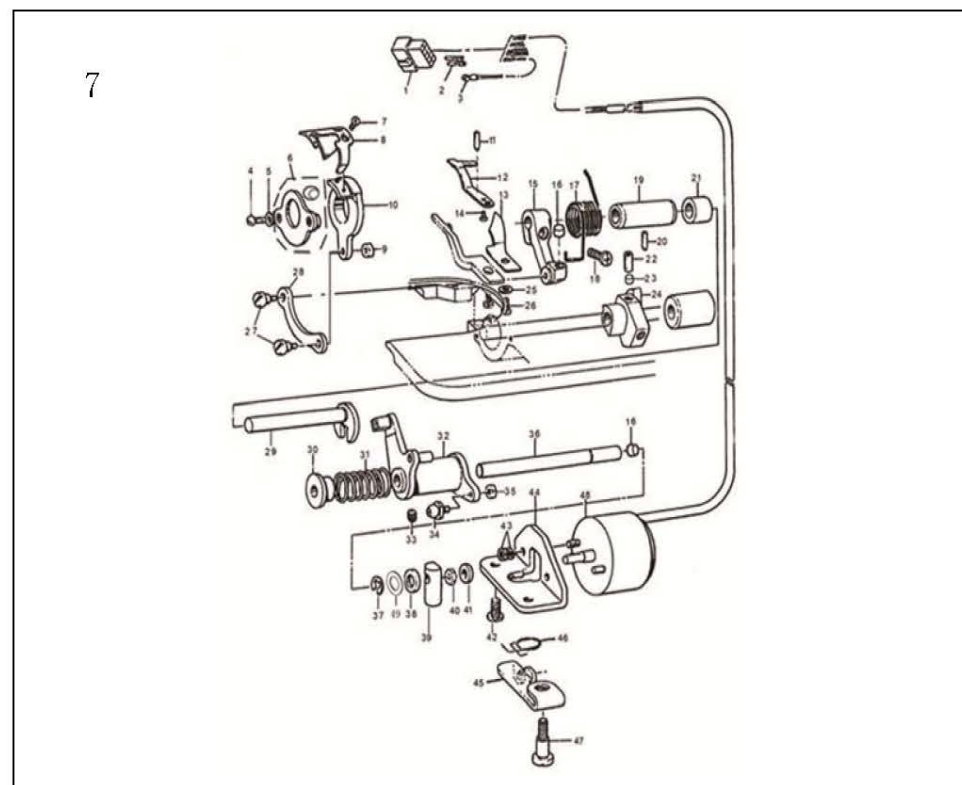
5. 压料分组件 Presser bar components

序号NO.	公司件号	Part NO.	名称 PartName	零件描述 Description	数量 Number
1	101S11010		压脚升降轴套	Screw SM9/64*40 L4.1	1
2	101S2802		压脚升降轴套	washer	1
3	10111028		压脚轴套	Hand lifter	1
4	001004		O型圈 4x1.8	Rubber ring 4x1.8	1
5	1011000200		压脚轴套	Hand lifter cam ass.	1
6	101S2001		压脚轴套	Link shaft	2
7	101S2015		压脚轴套		



6. 送料分组件 Feed mechanism components

序号NO.	公司件号 Part NO.	名称 PartName	零件描述 Description	数量 Number
1	11409015	送料调节杆	Feed regulator connecting rod	1 1
2	11428021	送料调节销	Feed regulator pin	1 1
3	101511005	螺钉	Screw S30/16*40 L=6	6 6
4	11401015	送料调节轴	Feed regulator	1 1
5	11403043	送料调节轴衬套	Feed regulator bushing For	1 1
6	101511023	送料调节轴轴端螺母	Screw S30/16*28 L=7	1 1
7	11428019	送料调节轴螺母	Feed regulator screw For	1 1
8	11427034	送料调节轴弹簧	Spring For SHIRLEY U	1 1
9	11412022	送料调节轴止动块	Feed adjust ping For	1 1
10	11411035	送料调节轴螺母	Feed dial	1 1
11	101511022	送料调节轴螺母	Screw S30/16*28 L=18	1 1
12	10122016	送料调节轴轴套	Rubber ring	1 1
13	301781	送料调节轴手 (摩擦)	Reverse feed control lever	1 1
14	400091	送料调节轴轴套	Bocker shaft connecting rod	1 1
15	10128006	送料调节轴轴套	Walking foot pin C	1 1
16	400093	送料调节轴轴套	Feed reverse spring	1 1
17	10127011	送料调节轴轴套	Feed reverse arm asm.	1 1
18	1140402700	送料调节轴轴套	Screw S30/16*28 L=14	1 1
19	101511016	送料调节轴轴套	E-ring	2 2
20	805003	送料调节轴轴套	Adjusting link fulcrum shaft	1 1
21	10128010	送料调节轴轴套	Spring	1 1
22	10427003	送料调节轴轴套	Walking foot pin A	2 2
23	10128007	送料调节轴轴套	Clmcting link A	2 2
24	10409005	送料调节轴轴套	Clmcting link B	2 2
25	10409004	送料调节轴轴套	Feed adjusting link asm.	1 1
26	11201002	送料调节轴轴套	Adjusting link fulcrum shaft	1 1
27	10128009	送料调节轴轴套	Screw S30/16*28 L=10.5	2 2
28	101515010	送料调节轴轴套	Feed bar shaft	1 1
29	11228001	送料调节轴轴套	Screw S30/16*28 L=6	2 2
30	101511018	送料调节轴轴套	Feed dog	1 1
31	11414002	送料调节轴轴套	Feed bar asm.	1 1
32	11314001	送料调节轴轴套	Ring 15	2 2
33	803001	送料调节轴轴套	Adjusting link spring guide	1 1
34	11412070	送料调节轴轴套	Screw S30/16*40 L=7	3 3
35	101511025	送料调节轴轴套	Feed rock shaft	1 1
36	11412081	送料调节轴轴套	Walking foot pin B	1 1
37	10102008	送料调节轴轴套	Walking foot pin B	1 1
38	10128011	送料调节轴轴套	But	2 2
39	101511016	送料调节轴轴套	Screw S30/16*28 L=12	1 1
40	10104004	送料调节轴轴套	Screw S30/16*28 L=13.5	1 1
42	101511016	送料调节轴轴套	Screw S30/16*28 L=13.5	1 1
44	101520005	送料调节轴轴套	Feed drive shaft	1 1
45	11302001	送料调节轴轴套	Thrust collar asm.	2 2
46	10108003	送料调节轴轴套	Screw S30/16*40 L=6	4 4
47	101515002	送料调节轴轴套	Brushing	2 2
48	10403015	送料调节轴轴套	Washer 4.8x8.4x0.8	1 1
50	10128003	送料调节轴轴套	Feed bar crank asm.	1 1
51	11301001	送料调节轴轴套	Screw S30/16*40 L=10.5	1 1
52	101511020	送料调节轴轴套	Driving shaft crank asm.	1 1
53	10104003	送料调节轴轴套	Rubber ring	1 1
54	10103010	送料调节轴轴套	Feed lever actal	1 1
55	10103021	送料调节轴轴套	Screw S30/16*28 L=10	2 2
56	101515013	送料调节轴轴套	Feed reverse shaft	1 1
57	10122017	送料调节轴轴套	Feed bar asm.	1 1
58	400089	送料调节轴轴套	Eye press	1 1
59	11412079	送料调节轴轴套	Spring	1 1
60	11427035	送料调节轴轴套	Spring	1 1

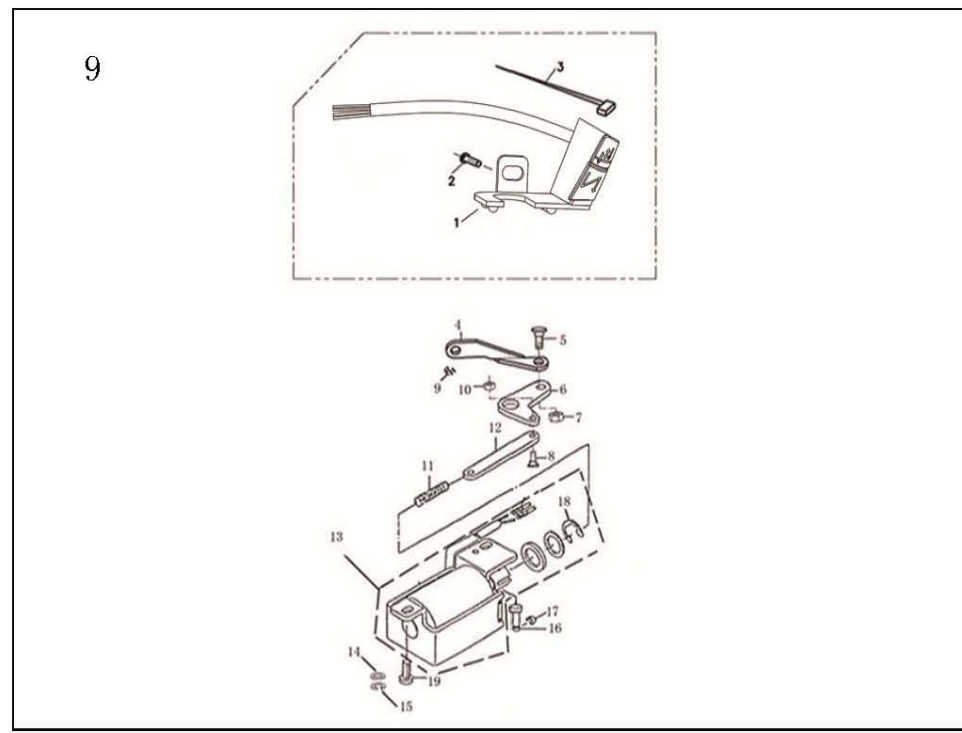


8. 润滑组件 Oil lubrication components

序号NO.	公司件号 Part NO.	名称 PartName	零件描述 Description	数量 Number
1	11211004	油窗	Oil sight window	1 1
2	10122019	油窗衬圈	Rubber ring	1 1
3	11321003	上轴供油管	Main shaft oil tube	1 1
4	101511004	螺钉	Screw	1 1
5	10127015	回油毡垫	Oil felt presser	1 1
6	11221001	回油管组件	Oil returns tube asm.	1 1
7	10112023	回油管夹	Holder	1 1
8	10423005	油线	Oil wick	2 2
9	11353001	油窗调节螺钉	Screw	1 1
10	11327004	油窗调节螺钉弹簧	Spring	1 1
11	11321002	供油管	Main shaft oil tube	1 1
12	1012000100	润滑分部件	Lubricating oil pump asm.	1 1
13	10112020	油泵安装板	Oil pump installing base	1 1
14	10120001	油泵体	Oil pump	1 1
15	10111003	油泵叶轮	Oil pump impeller	1 1
16	101530006	螺钉	Screw	3 3
17	10111007	油窗盖	Lubricating oil pump cover	1 1
18	10112021	油泵叶轮托板	Oil pump impeller cover	1 1
19	10122018	回油毡垫	Plunger	1 1
20	10127013	柱塞簧	Plunger spring	1 1
21	101530007	螺钉 S30/16*28 L=7	Screw S30/16*28 L=7	1 1
22	10121001	下轴供油管	Hook driving shaft oil tube	1 1
23	804009	油窗螺钉	Screw	3 3
24	116530003	拾牙叉固定螺钉	Screw	1 1
25	208512001	压紧螺钉	Screw	1 1
26	112530005	油窗连接螺母	Oil pump support	1 1
27	10121007	回油管	Oil returns tube asm.	1 1
28	10138001	供油管接头	Rubber joint	1 1
29	803002	垫圈 GB/T93-1987	Washer 6	2 2
30	803004	垫圈 GB/T93-1987	Washer	1 1
31	101511010	螺钉	Screw	2 2
32	10112025	油窗固定板	Oil line fixing board	1 1
33	10423005	油线	Oil wick	2 2

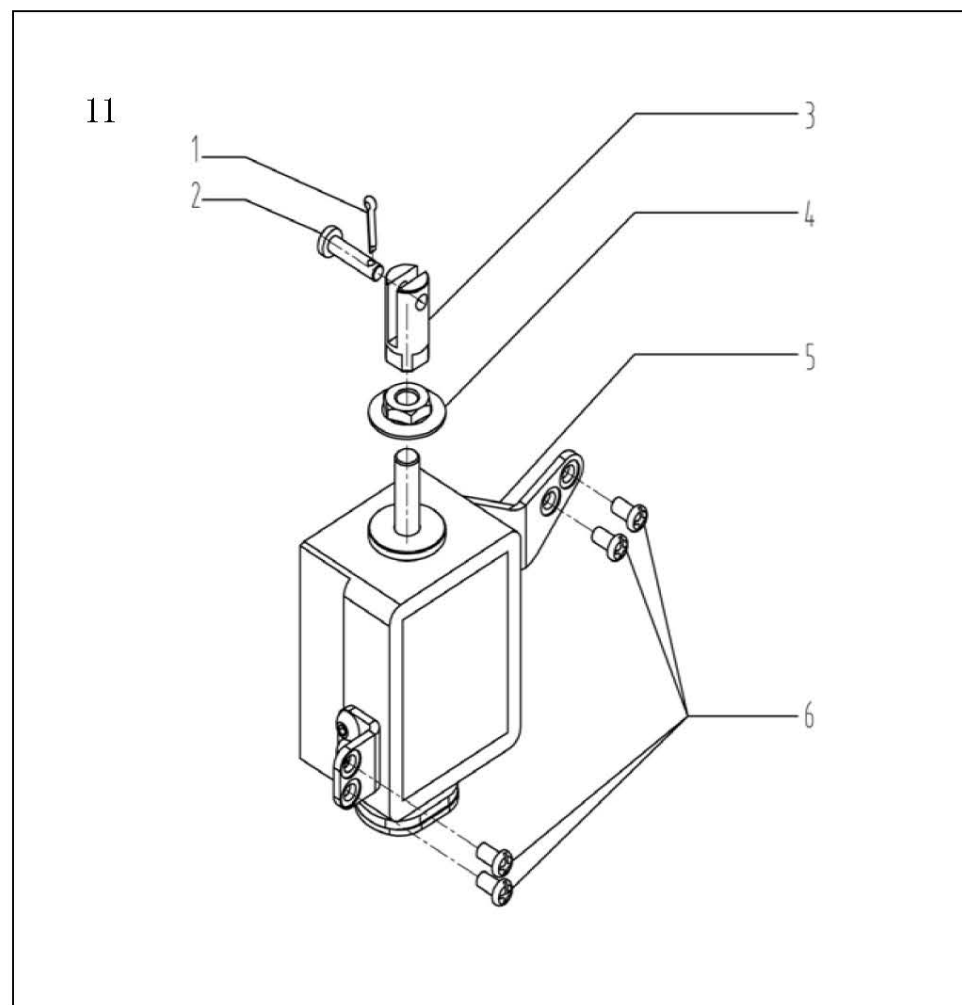
7. 切线装置部件 Thread trimmer components

序号NO.	公司件号 Part NO.	名称 PartName	零件描述 Description	数量 Number
1	11230004	14孔橡胶垫	Housing 14P	1 1
2	11230005	电接触片	Pin contact	1 1
3	11212025	垫圈	Ground wire asm.	1 1
4	113511001	螺钉	Screw	2 2
5	10128003	牙架压板螺母	Washer	2 2
6	11312004	牙架压板螺母	Partiality shank asm.	2 2
7	113517002	活动刀固定螺钉	Screw	2 2
8	11312002	活动刀 (厚料长槽)	Rotorial knife	1 1
9	11312003	活动刀 (厚料长槽)	Rotorial knife	1 1
10	11351001	螺母	Nut	1 1
11	11307001	刀架刀架	Knife bracket	1 1
12	11351002	刀片调节螺钉	Screw	1 1
13	11312001	刀片	Secant knife	1 1
14	11312003	护针片	Protect needle patch	1 1
15	11351001	螺钉	Screw	1 1
16	11304001	曲柄	Thread shear rock asm	1 1
17	11322001	驱动曲柄止动块	Positioning block	2 2
18	808004	弹簧	Spring	1 1
19	11303003	螺钉	Screw	2 2
20	11351002	切线轴套	Thread shear can rock asm assy	1 1
21	11351002	螺钉	Screw	1 1
22	11303005	驱动曲柄轴衬套	Short bush	1 1
23	116514005	螺钉	Screw	2 2
24	11309000	凸轮顶柱	Fole	2 2
25	11310004	凸轮	Thread shear can	1 1
26	803004	垫圈 GB/T93-1987	Washer 6	1 1
27	11351009	螺钉	Screw	1 1
28	11352001	螺母	Nut	2 2
29	11312005	连杆	Knife shaft connecting rod	1 1
30	11304002	切线凸轮轴	Thread shear rock asm shaft	1 1
31	11322002	弹簧盖	Spring cover	1 1
32	11327002	弹簧	Spring	1 1
33	113040900	切线轴套	Thread shear rock asm shaft	1 1
34	116514003	针杆曲柄轴定位螺钉	Screw	1 1
35	11324001	衬柱	Roll shaft assy	1 1
36	113516001	螺母	Nut	1 1
37	11302002	轴	Thread shear shaft	1 1
38	803006	挡圈	Retaining ring	1 1
39	10112003	衬板曲柄护板	Cutter weight protecting	1 1
40	11309001	切线电磁铁顶销	Washer	1 1
41	801004	垫圈 4x1.8	Washer	1 1
42	101511026	油泵安装螺钉	Screw	1 1
43	801001	螺母 M4	Nut M4	2 2
44	11312006	切线磁铁支架	Magnetic plug cushion mat	1 1
45	11312007	松铁座	Thread loose seat	1 1
46	11327003	弹簧	Spring	1 1
47	1143003300	切线电磁铁组件 (一体机)	Magnetic plug for incorporate	1 1
48	11322003	电磁铁顶销	Magnetic plug cushion mat	1 1

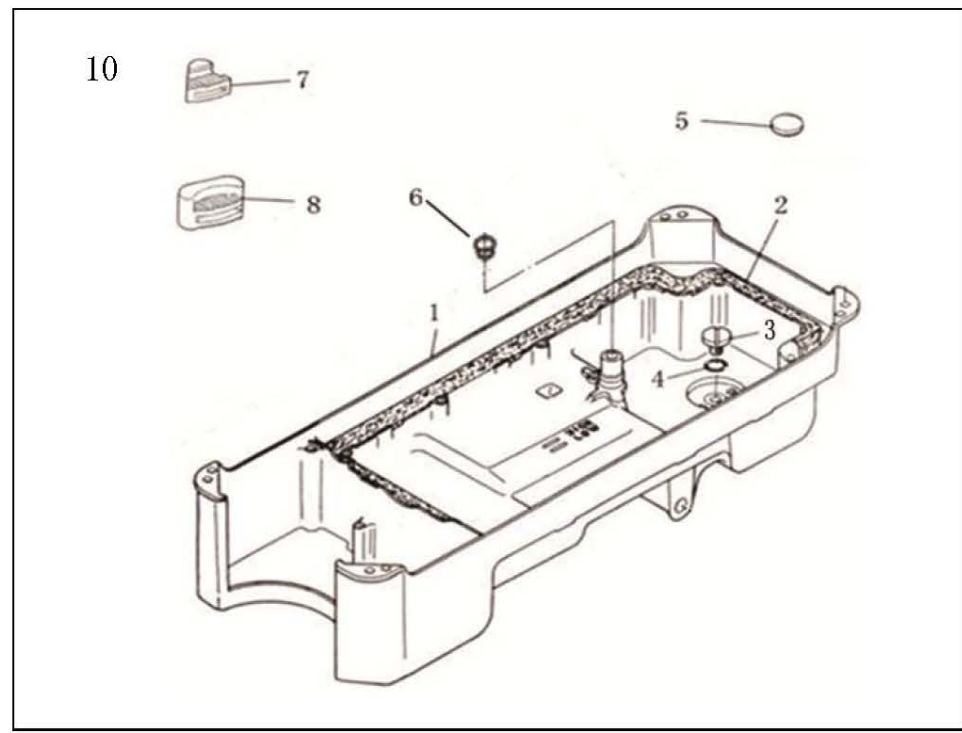


9. 自动倒送料开关组件 Automatic reverse feed components

序号NO.	公司件号 Part NO.	名称 PartName	零件描述 Description	数量 Number
1	1133001000	总开关自动倒送料开关组件	automatic feeding switch (Powermax)	1 1
2	1133002000	总开关手动倒送料开关组件	automatic feeding switch (Qixing)	1 1
3	101511004	接线杆护套螺钉	Screw	1 1
4	11211005	尼龙扎带	Cable band	1 1
5	11212029	自动倒送料轴	Reverse feed connecting shaft	1 1
6	112520001	倒送料轴螺母	Screw	1 1
7	11204003	倒送料轴螺母	Connecting arm asm.	1 1
8	112520002	倒送料轴螺母	Screw	1 1
9	809009	开口档圈	E-ring	1 1
10	112516008	倒送料轴螺母	Nut	1 1
11	11270006	自动倒送料轴衬套	Plunger spring	1 1
12	11312009	自动倒送料轴衬套	Reverse feed connecting link	1 1
13	1143003400	自动倒送料电磁铁	Reverse feed magnet asm.	1 1
14	11628005	垫圈	Washer	1 1
15	802004	垫圈	Washer	1 1
16	11280005	连杆销	Plunger arm pin	1 1
17	809009	开口档圈	E-ring	1 1
18	809014	开口档圈	E-ring	1 1
19	11628005	螺钉	Reverse feed connecting shaft	2 2



11. 自动抬压脚组件 Auto lifter components



10. 油盘、膝抬压脚分组件 Oil reservoir, Knee lifter components

序号NO.	公司件号 Part NO.	名称 PartName	零件描述 Description	数量 Number
1	10101006	油盘	Oil reservoir	1 1
2	10122020	油盘垫	Gasket	1 1
3	101511028	排油孔螺钉	Screw	1 1
4	10122021	排油孔圈	Rubber ring	2 2
5	10131001	油盘磁块	Oil reservoir magnet	1 1
6	10122005	排油孔圈衬套	Rubber plus	1 1
7	10122022	油盘磁块 (G-1小)	Oil reservoir felt cushion	2 2
8	10122023	油盘磁块 (G-1大)	Oil reservoir rubber cushion	2 2

11. 自动抬压脚组件 Auto lifter components

序号NO.	公司件号 Part NO.	名称 PartName	零件描述 Description	数量 Number
1	P04001	开口销 GB/T91 2.5X12	Cutter pin	1 1
2	11328005	销子	pin	1 1
3	11328006	电磁铁接头	Solenoid connector	1 1
4	113516004	法兰螺母	Plange nuts	1 1
5	113001200	电磁铁螺母	Solenoid asm.	1 1
6	101511001	侧板螺钉	side plate screw	4 4

新杰克缝纫机股份有限公司

公司地址: 台州市椒江区机场南路十五号
 邮编: 318000
 国内销售部:
 电话: 0086-576-8817778 8817779
 传真: 0086-576-8817775
 国贸部:
 电话: 0086-576-8817782 8817774
 传真: 0086-576-8817787
 免费售后服务电话: 400-8876858
 http://www.chinajack.com

资料如有更改, 恕不另行通知, 以实物为准。

2013.09.03