



JK-768系列

Parts Manual

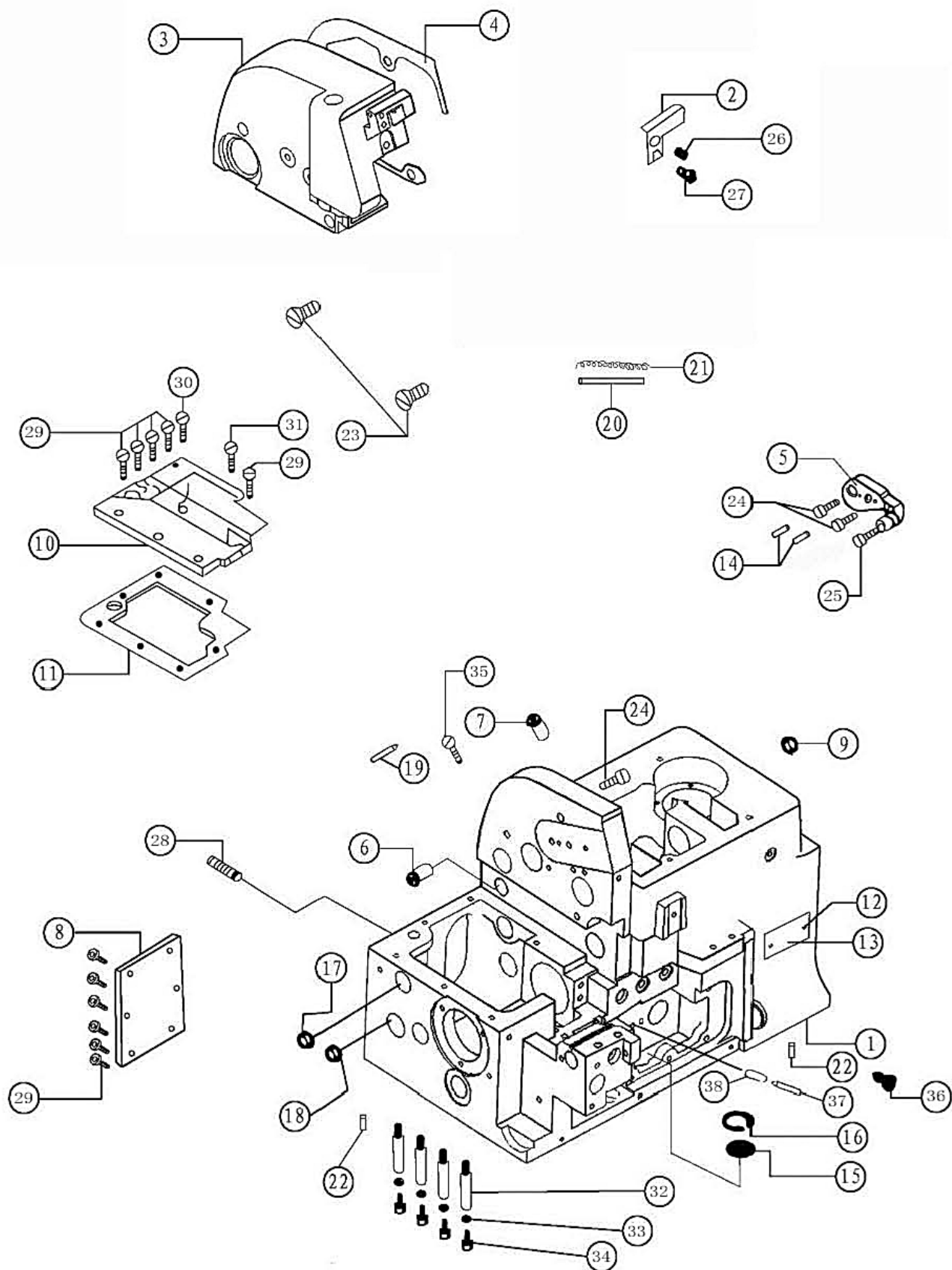
零件手册

 **杰克缝纫机**  
JACK SEWING MACHINE  
| [HTTP://WWW.CHINAJACK.COM](http://www.chinajack.com) |

# 目录

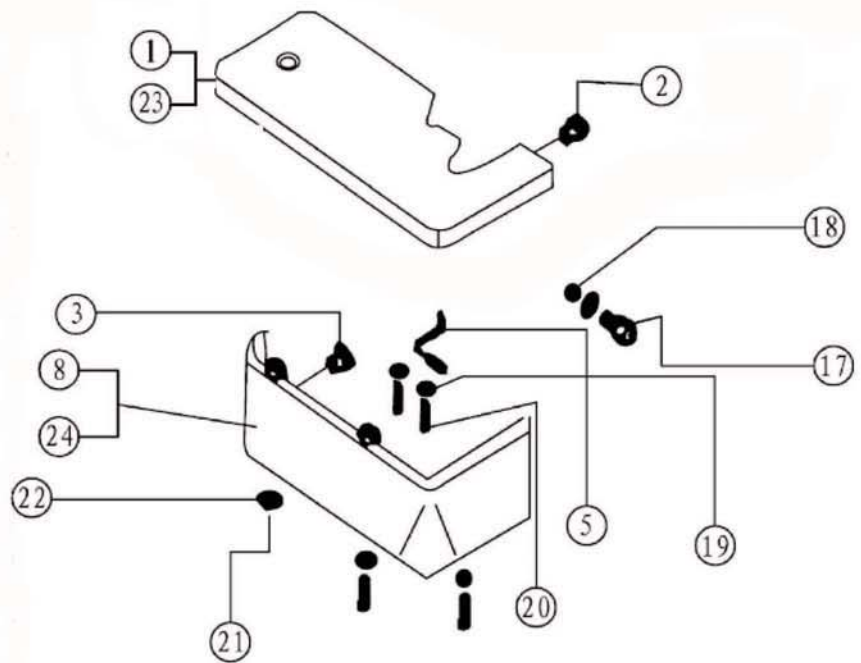
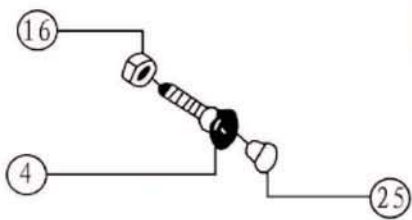
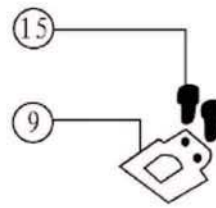
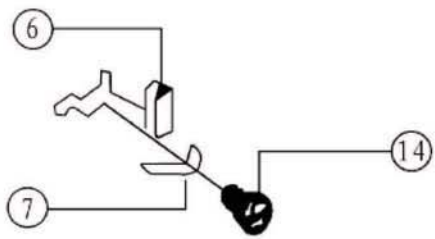
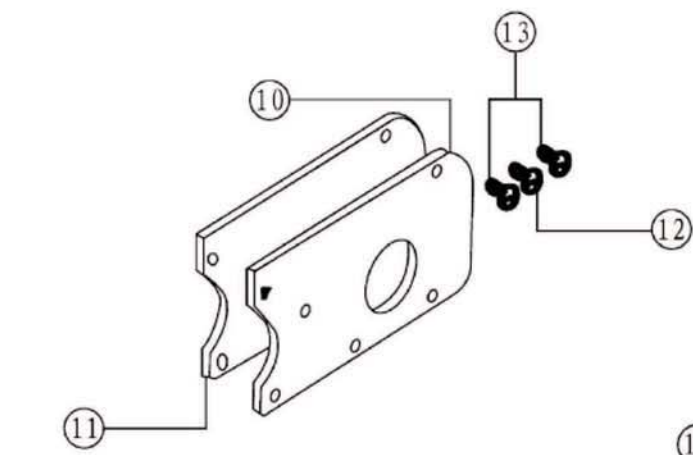
## CONTENTS

	页码
一、机壳部分 Frame Assembly	1
二、缝台部分 Cloth Plate Assemblies	3
三、罩壳部分 Cover Assemblies	5
四、主轴部分 Main Shaft Assemblies	7
五、针杆部分 Needle Bar Assemblies	9
六、过线部分 Thread Guide Assemblies	11
七、上弯针部分 Upper Looper Assemblies	13
八、下弯针部分 Lower Looper Assemblies	15
九、前弯针部分 Front Looper Assemblies	17
十、打线凸轮部分 Cam Assemblies	19
十一、差动送布部分 Different Feed Assemblies	21
十二、抬牙送布部分 Feed Dog Assemblies	23
十三、剪切部分 Trimming Assemblies	25
十四、压布部分 Presser foot Assemblies	27
十五、润滑部分 Lubrication Assemblies	29
十六、送布挡料部分 Feed Snap Assemblies	31
十七、线架部分 Thread Spool Assemblies	33
十八、托盘、排料部分 Plate Row Material Assemblies	35
十九、随机附件部分 Accessories Assemblies	37
二十、倒回缝部件 Back Latch Components	39
二十一、768E 专用部件 768E Specific Parts	41
标准度量零件表 Standard measurement part list	43



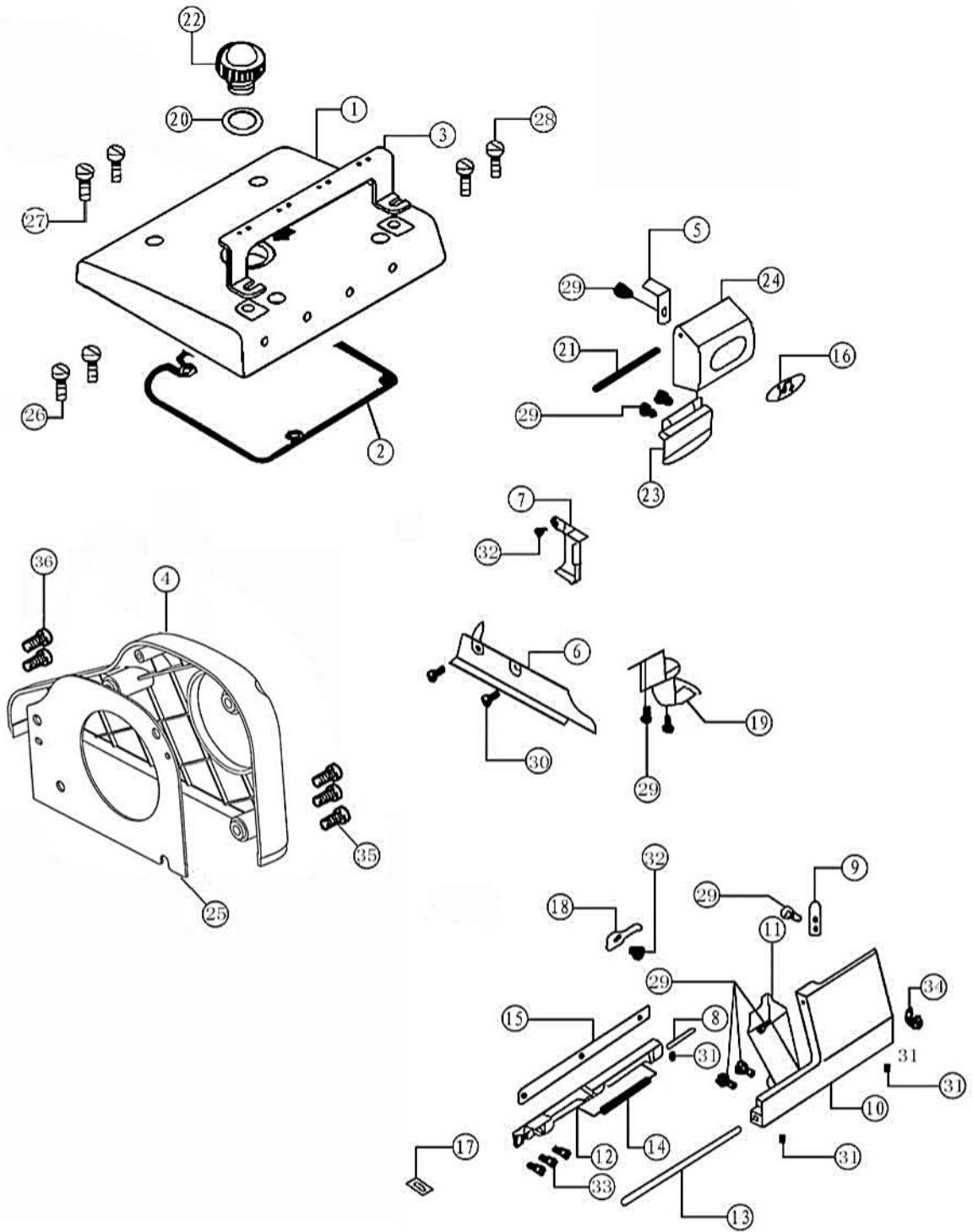
# 一、机壳部分 Frame Assembly

序号 NO.	公司件号 Part NO.	参考件号 Ref. Part No.	名称	Description	数量 (Number)		
					三线	四线	五线
					three-thread	four-thread	five-thread
1	301788	-----	机壳	Machine frame	1	1	1
	301837	-----	机壳 (DI)	Machine frame	1	1	1
2	20112001	KA04E1	针线罩壳护板	Needle thread cover plate	1	1	1
3	300082	-----	机头罩	Left upper cover	1	1	1
4	20222001	-----	机头罩垫	Left upper cover pad	1	1	1
5	20101003	KA09	针杆座	Needle plate	1	1	1
6	20122002	KA14	回油胶套	Rear oil adhesive	1	1	1
7	20122003	KA22	油封	Oil seal	1	1	1
8	20112002	KA25	后盖板	Rear cover	1	1	1
9	20122005	KA26	油封	Oil cover	1	1	1
10	20101004	KA27	盖板	Cover	1	1	1
10	20101054	KA27	盖板	Cover	1	1	1
11	20122007	KA29	盖板垫	Cover washer	1	1	1
12	R03001	KA33	铆钉 2.5×4	Rivet	2	2	2
13	20137001	-----	机型牌	Machine model plate	1	1	1
14	P01003	KA39	销 B3×12	Pin	3	3	3
15	20112003	KA40	滤油网	Oil screen	1	1	1
16	H01003	KA42	挡圈 17	Snap ring	1	1	1
17	20122008	KA21	油封I	Oil seal I	2	2	1
18	20122009	KA24	油封II	Oil seal II	1	1	1
19	20626004	240190	油线销	Oil amount adjusting pin	1	1	1
20	20121019	-----	795Φ2.5×Φ3.5油管	Oil tube	1	1	1
21	20127001	-----	弹簧	Spring	1	1	1
22	20126001	-----	工艺孔销	Pin	2	2	2
23	201S11028	SK292	螺钉	Screw	3	3	3
24	201S11027	SK290	螺钉	Screw	2	2	2
25	201S11029	SK299	螺钉	Screw	1	1	1
26	201S10005	SK216	螺钉 M3×3	Screw M3×3	1	1	1
27	201S11033	SK357	螺钉	Screw	1	1	1
28	201S14002	SK268	螺钉	Screw	1	1	1
29	201S11016	SK257	螺钉	Screw	11	11	11
30	201S12005	SK261	螺钉	Screw	1	1	1
31	201S12006	SK280	螺钉	Screw	1	1	1
32	201S30006	SK401	螺钉	Screw	4	4	4
33	20128023	WK23	垫圈	Washer	4	4	4
34	201S13002	SK400	螺钉	Screw	4	4	4
35	201S11021	SK272	螺钉	Screw	1	1	1
36	201S11039	SK308	螺钉	Screw	1	1	1
37	P01003	-----	销	Pin	1	1	1
38	20523005	-----	油线	Oil wick	1	1	1



## 二、缝台部分 Cloth Plate Assemblies

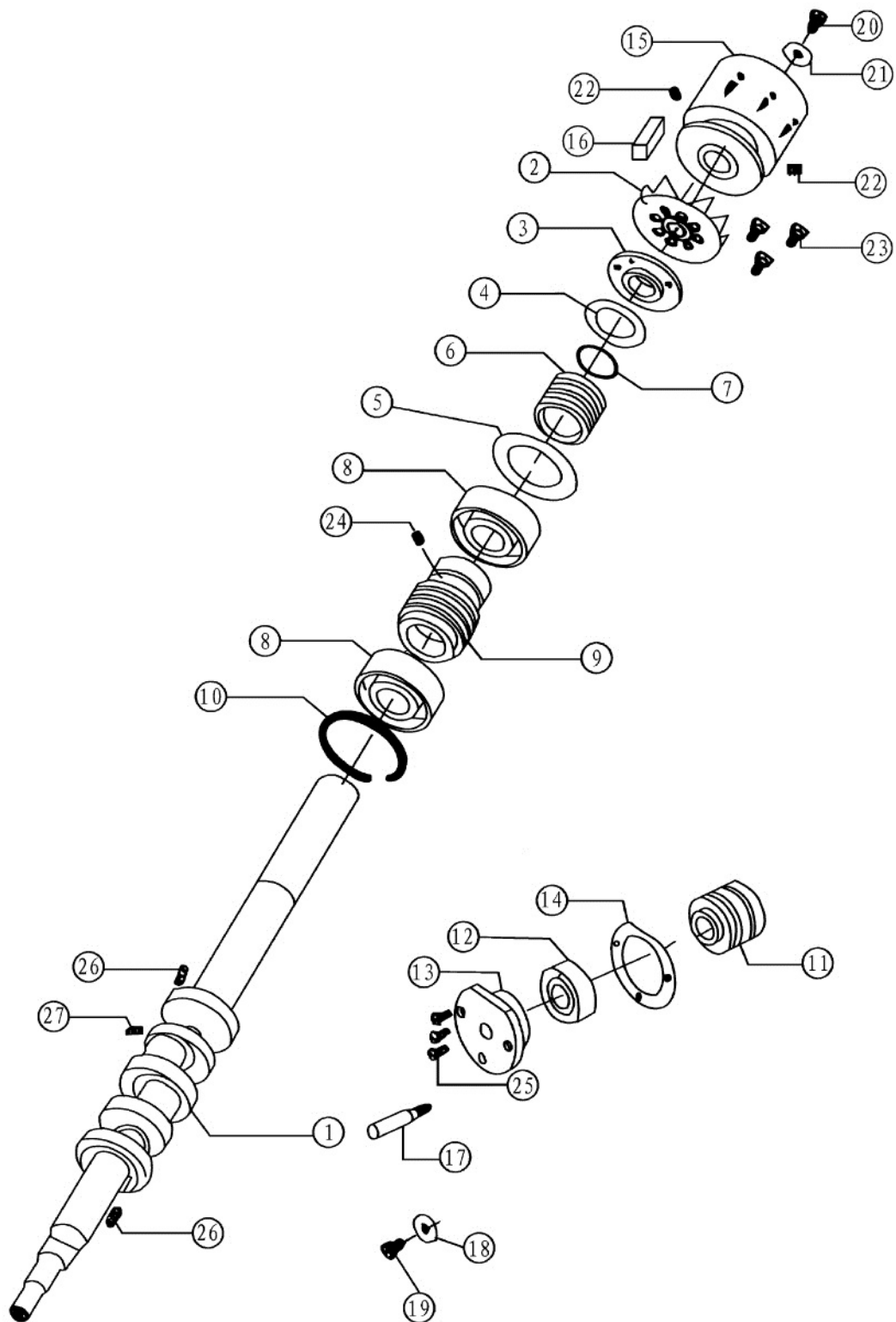
序号 NO.	件号 Part NO.	参考件 号 Ref. Par	名称	Description	数量 (Number)		
					三线	四线	五线
					three-thread	four-thread	five-thread
1	2011207000	KB01E	缝台盖组件 (BK)	Cloth plate	1	1	0
2	20122012	KB05	胶套	Rubber bushing	1	1	1
3	20122013	KB05E	胶套	Rubber bushing	1	1	1
4	201S30011	KB06E-1	缝台盖防震螺钉	Screw	1	1	1
5	20127003	KB12B	缝台盖开启弹簧	Spring	1	1	1
6	20112011	KB15B	缝台盖扳手	Cloth plate slider cover	1	1	1
7	20127004	KB17	缝台盖簧	Cloth plate cover spring	1	1	1
8	20111001	KB22F	缝台下罩壳	Cloth plate lower plate	1	1	0
9	20111003	KB29	挡油罩	Washer	1	1	1
10	20112012	KB31D-1	上弯针密封板	Upper looper sealing plate	1	1	1
11	20122015	KB31D-2	上弯针密封板垫	Upper looper sealing plate washer	1	1	1
12	201S11018	SK262	螺钉	Screw	1	1	1
13	201S11016	SK257	螺钉	Screw	2	2	2
14	201S20003	SK279	螺钉	Screw	1	1	1
15	201S17004	SK217	螺钉	Screw	2	2	2
16	201S16003	NK26	螺母	Nut	1	1	1
17	201S30007	SK403	螺钉	Screw	1	1	1
18	201S16001	NK23	螺母	Nut	1	1	1
19	20128019	WK06	垫圈 3	Washer 3	2	2	2
20	201S11037	SK221	螺钉	Screw	2	2	2
21	201S11037	SK560	螺钉	Screw	3	3	3
22	20128019	WK05	垫圈	Washer	3	3	3
23	2011208100	KB02E	缝台盖组件	Cloth plate	1	1	1
24	20111002	KB23F	缝台下罩壳	Cloth plate lower plate	0	0	1
25	20122011	KB03	胶套	Rubber bushing	1	1	1



### 三、罩壳部分 Cover Assemblies

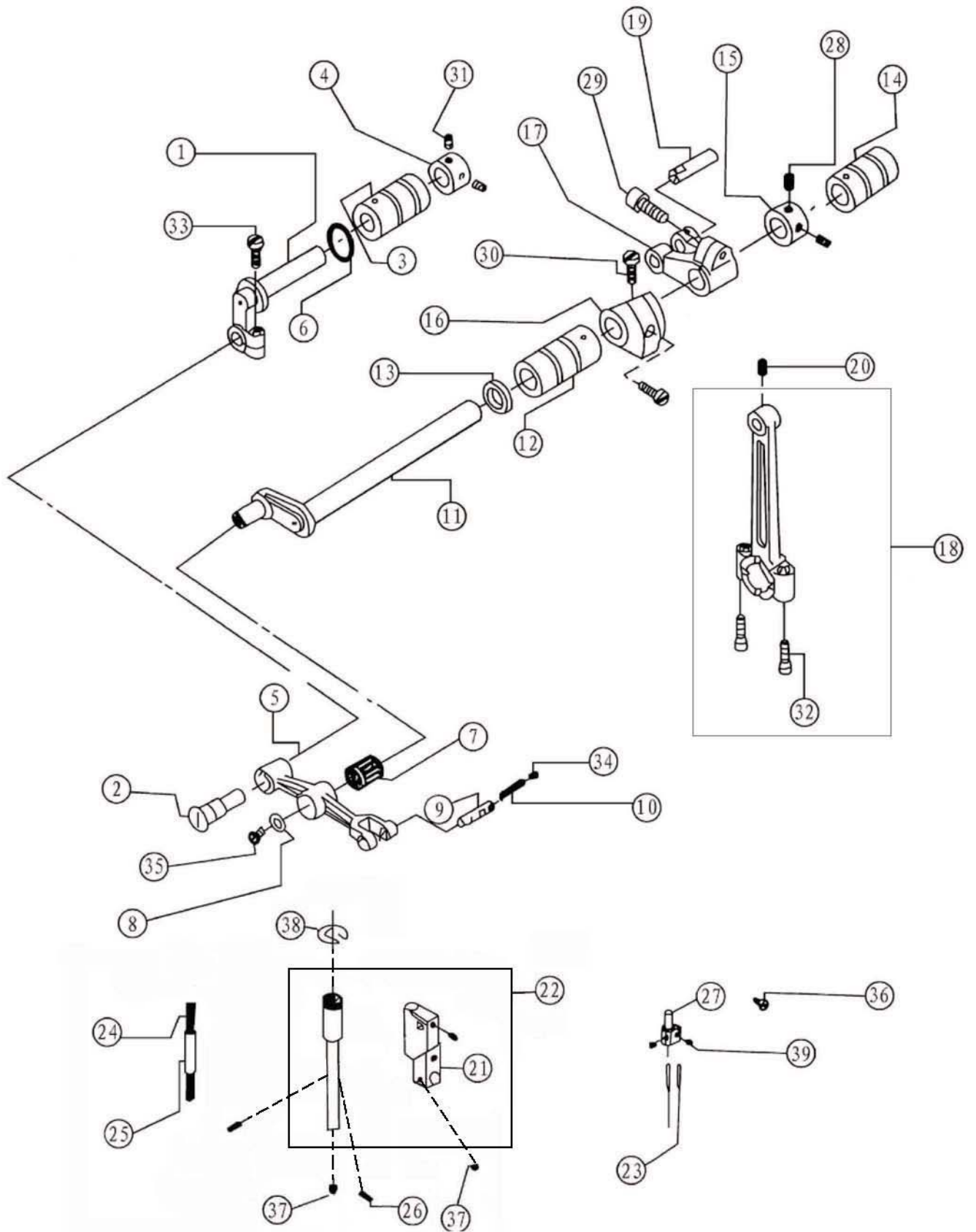
序号 NO.	件号 Part NO.	参考件号 Ref. Part No.	名称	Description	数量 (Number)		
					三线	四线	五线
					three-thread	four-thread	five-thread
1	301643	-----	上盖	Upper cover	1	1	1
1	301791	-----	上盖	Upper cover	1	1	1
2	20122045	-----	上盖垫	Upper cover washer	1	1	1
3	20112013	-----	过线架	Thread guide supporter	1	1	1
3	20113030	-----	过线架	Thread guide supporter	1	1	1
4	20111054	-----	皮带轮罩	Belt cover	1	1	1
5	20112014	KC13	针线罩壳簧	Thread cover spring	1	1	1
6	20112015	KC15	缝料挡板	Cloth guide plate	1	1	1
7	20112016	KC17	挡油板II	Oil guide II	1	1	1
8	20126003	KC18	前罩架销	Pin	1	1	1
9	20112017	KC20	前罩簧片	Front spring	1	1	1
10	301642	KC21E	前罩	Front cover	1	1	1
11	20112100	KC22B	前罩挡板	Front cover guard	1	1	0
11	20112069	KC22B	前罩挡板(BK)	Front cover guard	1	1	0
11	20112101	KC23B	前罩挡板	Front cover guard	0	0	1
12	20101007	KC24B	前罩架	Front cover hinge	1	1	1
13	20126004	KC25B	前罩销	Hinge pin	1	1	1
14	20127005	KC28	前罩架弹簧	Front cover hinge spring	1	1	1
15	20122017	KC29	前罩架垫	Front cover hinge washer	1	1	1
16	20137002	-----	机头牌	Trade mark plate	1	1	1
17	20131064	KC39-4	进油指示	Oil flow sindow	2	2	2
18	20112020	KC36	前罩挡板簧	Front cover snap guard	1	1	1
19	20112021	KC55B	接油斗	Oil guard	1	1	1
20	20122018	KC58	油标垫	Oil level gauge washer	1	1	1
21	20126005	KC62	上罩销	Pin	1	1	1
22	20111005	-----	油标盖	Oil level gauge plate	1	1	1
23	20111006	-----	有机玻璃罩	Oil sight	1	1	1
24	20111007	-----	上罩	Upper cover	1	1	1
25	20112090	-----	机壳右盖板	Right frame plate	1	1	1
26	201S11015	SK256	螺钉	Screw	2	2	2
27	201S11025	SK278	螺钉	Screw	2	2	2
28	206S11005	4009	螺钉	Screw	2	2	2
29	201S11009	SK233	螺钉	Screw	9	9	9
30	201S11018	SK262	螺钉	Screw	2	2	2
31	201S15001	SK235	螺钉	Screw	3	3	3
32	201S11014	SK250	螺钉	Screw	2	2	2
33	201S11038	SK576	螺钉	Screw	3	3	3
34	H05002	FK03	挡圈3	Snap spring	1	1	1
35	S01013	7176	螺钉M6×14	Screw	3	3	3
36	S01010	7019	螺钉 M4×8	Screw	2	2	2





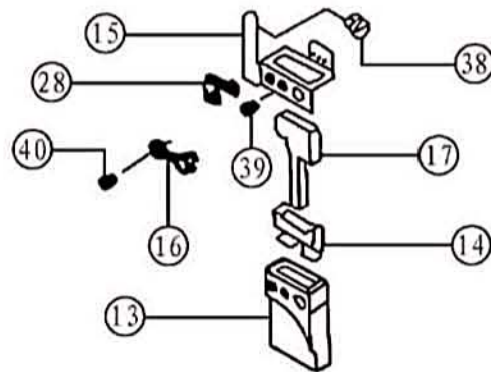
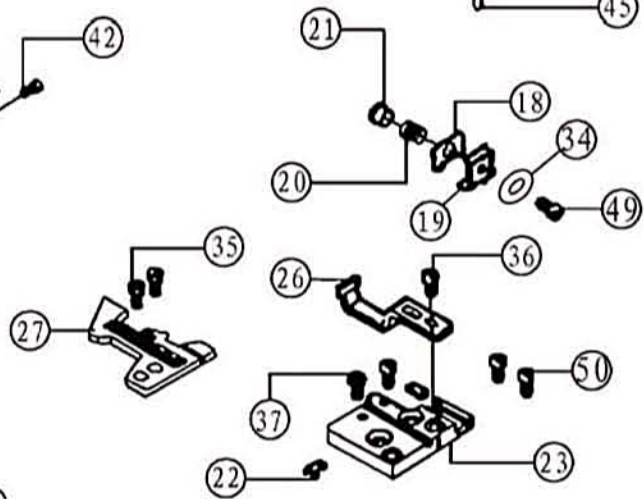
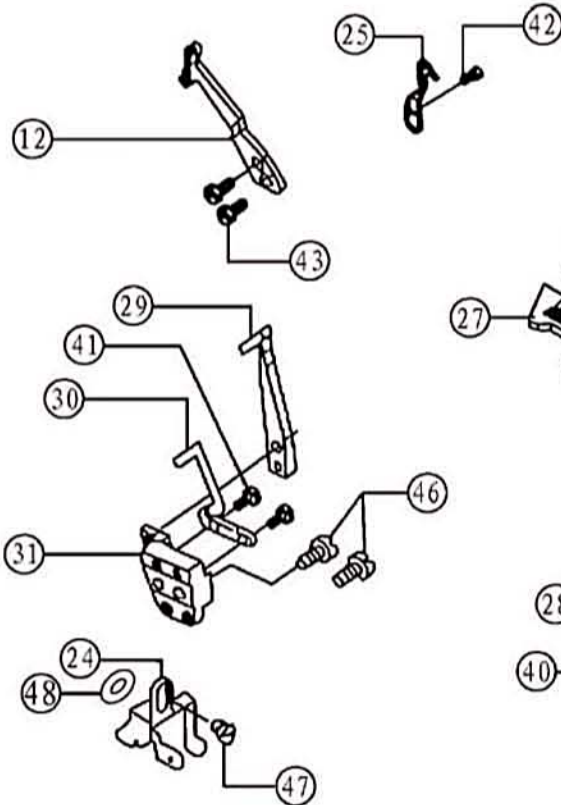
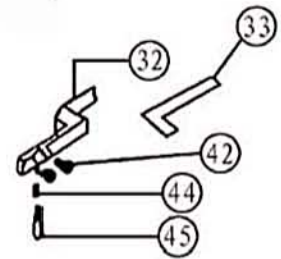
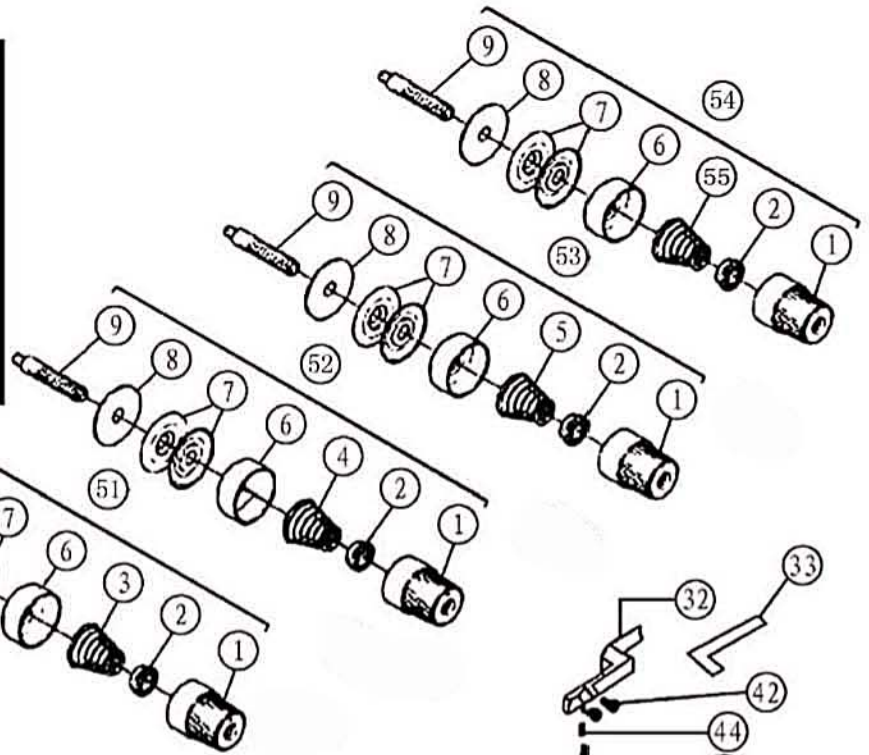
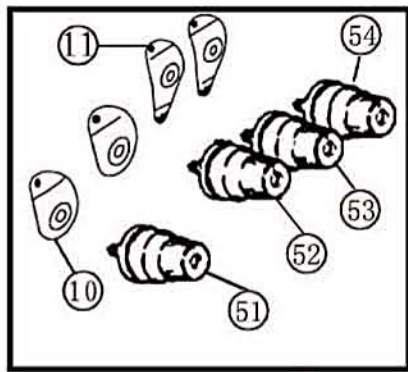
#### 四、主轴部分 Main Shaft Assemblies

序号 NO.	件号 Part NO.	参考件号 Ref. Part No.	名称	Description	数量 (Number)		
					三线	四线	五线
					three-thread	four-thread	five-thread
1	400022	KD01	主轴	Main shaft	1	1	1
2	20111008	KD09	冷却风扇	wheel	1	1	1
3	20101008	KD10D	滚针轴承制动盖	Rear shaft bearing cover	1	1	1
4	20122019	KD12D	滚针轴承制动垫	Washer	1	1	1
5	20128002	KD13	主轴弹簧垫圈	Main shaft spring washer	1	1	1
6	20103002	KD14	主轴中轴套	Main shaft bysgubg asm	1	1	1
7	001003	KD15	O型圈 16×1.8	Seal ring	1	1	1
8	B03001	KD16	轴承 6003-Z	Bearing	2	2	2
9		KD17	油泵蜗杆	Oil pump worm	1	1	1
10	20129001	KD20	卡簧	Snap spring	1	1	1
11	20103003	KD21	主轴左套筒	Main shaft left bushing	1	1	1
12	B04001	KD22	轴承 6200-2Z	Bearing	1	1	1
13	20101009	KD27D	轴承盖	Bearing cover	1	1	0
13	20101010	KD26D	轴承盖	Bearing cover	0	0	1
14	20122020	KD28D	轴承盖垫圈	Bearing cover washer	1	1	1
15	300076	-----	皮带轮	Pulley	1	1	1
16	20101012	-----	皮带轮方键	Key	1	1	1
17	20126006	KD33	凸轮轴	Bulgy pulley shaft	0	0	1
18	30128008	240102	摆架轴垫圈	washer	1	1	0
19	201S11040	777-5361	螺钉	Screw	1	1	0
20	201S11034	SK374	螺钉	Screw	1	1	1
21	20128024	WK24	垫圈	washer	1	1	1
22	201S15004	SK347	螺钉	Screw	2	2	2
23	201S11016	SK257	螺钉	Screw	3	3	3
24	201S14002	SK270	螺钉	Screw	1	1	1
25	201S11012	SK241	螺钉	Screw	3	3	3
26	201S14002	SK396	油瓦螺钉	Screw	2	2	2
27	201S15001	SK235	油孔螺钉	Screw	1	1	1



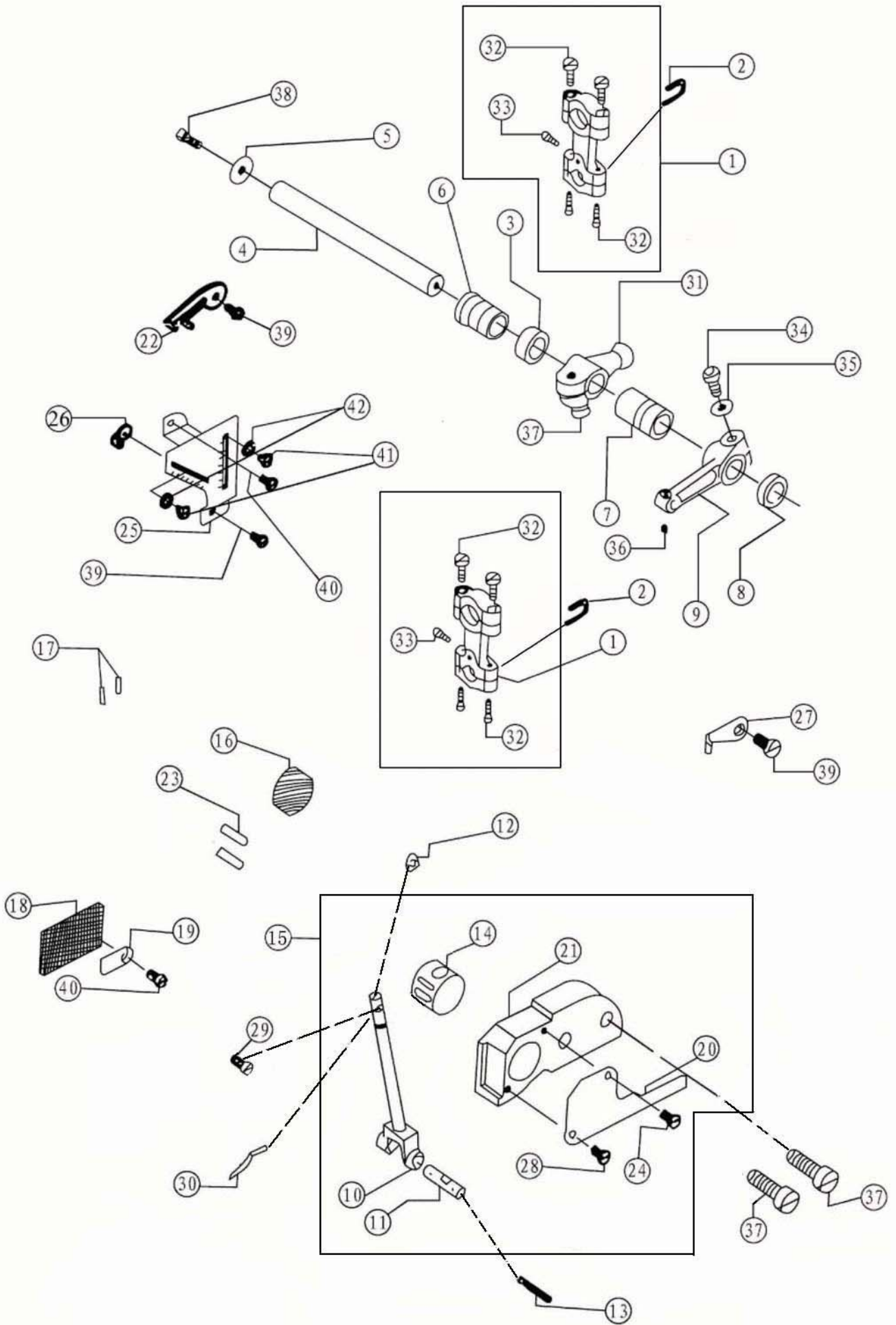
## 五、针杆部分 Needle Bar Assemblies

序号 NO.	件号 Part NO.	参考件号 Ref. Part No.	名称	Description	数量 (Number)		
					三线	四线	五线
					three-thread	four-thread	five-thread
1	20102002	KF01F	针杆曲柄轴	Needle bar driving frame rock shaft	1	1	1
2	20126007	KF02	针杆曲柄销	Eccentric shaft	1	1	1
3	20103004	KF05	针杆轴后套筒	Needle bar shaft bushing back	1	1	1
4	20108001	KF07	挡圈	Snap ring	1	1	1
5	20104001	KF09	针杆传动曲柄	Throat driving crank	1	1	1
6	20122022	KF38	油封	Oil seal	1	1	1
7	B07006	KF11	滚针轴承	Needle bearing	1	1	1
8	20128004	KF12	垫圈	Washer ring	1	1	1
9	20126008	KF14	针夹导线销	Throat clip guide ping	1	1	1
10	20123021	KF16	油线	Oil wick	1	1	1
11	400021	KF17	针杆摆轴	Throat bar rock crank	1	1	1
12	20103005	KF18	行针轴左套筒	Needle driving shaft bearing	1	1	1
13	20122021	KF19	油封	Seal ring	2	2	2
14	20103006	KF20	行针轴右套筒	Needle driving shaft bearing	1	1	1
15	20108002	KF21	挡圈	Snap ring	2	2	2
16	20101013	KF23	针杆摆轴平衡块	Balance block	1	1	1
17	20104002	KF26	针杆摆轴曲柄	Needle bar frame rock shaft crank	0	1	0
17	20104003	KF25	针杆摆轴曲柄	Needle bar frame rock shaft crank	1	0	1
18	400011	KF28	针杆传动连杆	Needle bar connecting rod	1	1	1
19	20126009	KF30	针杆传动连杆销	Connecting link pin	1	1	1
20	201S12005	SK261	螺钉	Screw	1	1	1
21	20101014	KF32	针夹导套	Throat clip guide bushing	1	1	1
22	2010200400	————	针杆组件	Needle bar	1	1	1
23	20117012	DC×27	#11机针(三四线)	Needle	1	2	0
23	20117013	DC×27	#14机针(五线, 70)	Needle	0	0	2
23	20117014	DC×27	#19机针(86)	Needle	0	0	2
24	20123021	KF35	油线	Oil wick	1	1	1
25	20121020	KF35-1	塑料管	Plastic tube	1	1	1
26	20523005	KF37	油线	Oil wick	2	2	2
27	20134002	KG142-E	针古(三线)	Needle clamp	1	0	0
27	20134001	KG131-E	针古(四线)	Needle clamp	0	1	0
27	20134003	KG153-E	针古(五线)	Needle clamp	0	0	1
27	20134004	KG155-E	针古(厚料)	Needle clamp (for thick)	0	0	1
28	201S15003	SK293	挡圈螺钉	Snap ring screw	2	2	2
29	201S13003	SK612	螺钉	Hexagon socket screw	1	1	1
30	201S30003	SK291	平衡块螺钉	Balance block position screw	2	2	2
31	201S14002	SK293	行针传动连杆顶丝	Frame rock shaft set screw	3	3	3
32	201S12005	SK385	行针传动连杆螺钉	Shaft position screw	2	2	2
33	201S11026	SK287	针杆曲柄紧固螺钉	Screw	1	1	1
34	201S17001	SK204	油线堵油螺钉	Screw	1	1	1
35	201S17004	SK217	垫圈螺钉	Screw	1	1	1
36	S01022	SK221	垫圈螺钉	Screw	1	1	1
37	S100026	SK216	螺钉	Screw	4	4	4
38	H05008	EK01	挡圈S	Snap ring	1	1	1
39	S100026	SK216	顶针螺钉	Screw	2	2	2



## 六、过线部分 Thread Guide Assemblies

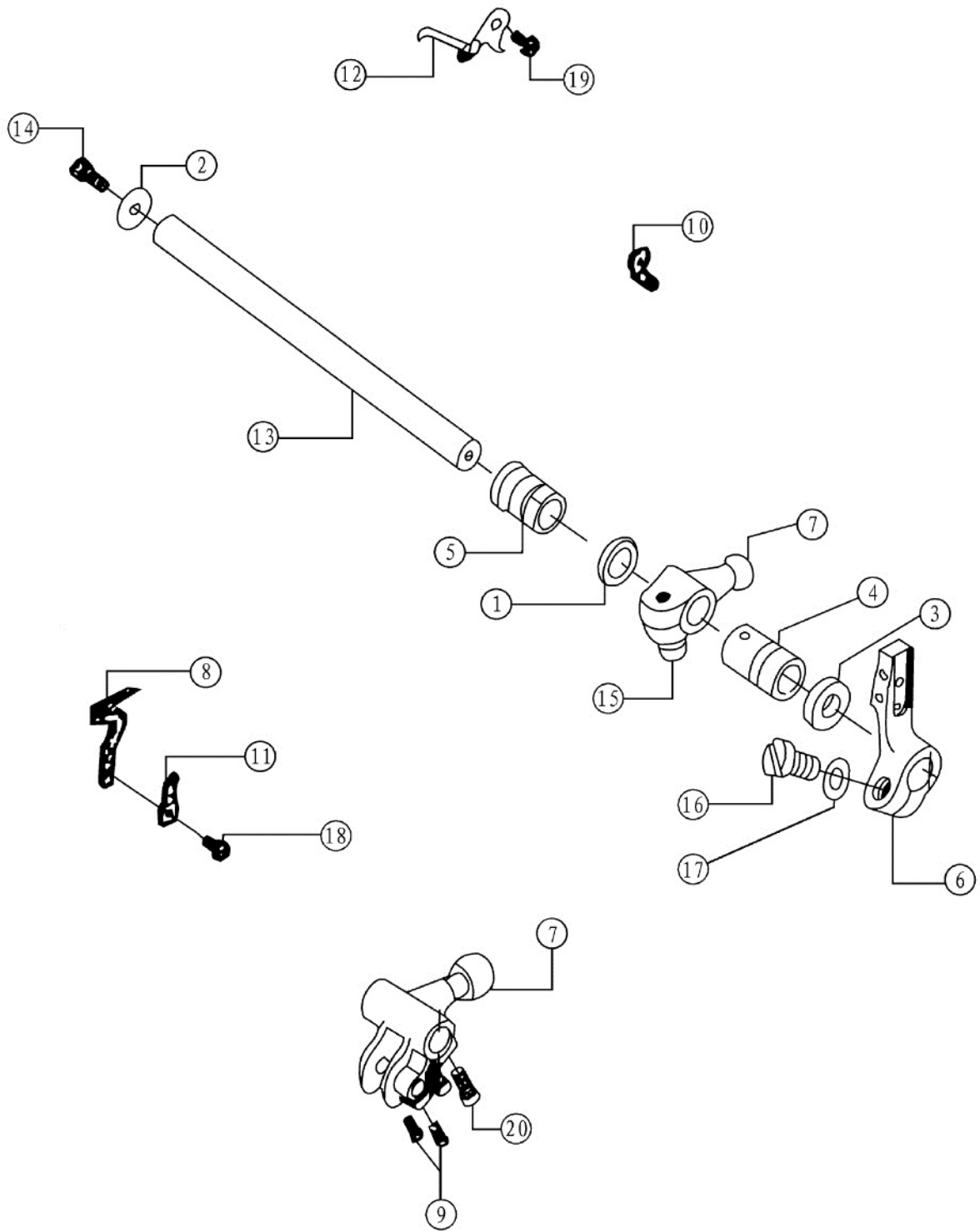
序号 NO.	备注 Note	件号 Part NO.	参考件号 Ref. Part No.	名称	Description	数量 (Number)		
						三线	四线	五线
						three-thread	four-thread	five-thread
1		20101084	208447-UA	夹线器螺母(蓝)仿手印	Thread tension screw	1	1	1
1		20101082	208448-UA	夹线器螺母(红)仿手印	Thread tension screw	0	1	1
1		20101083	208449-UA	夹线器螺母(黄)仿手印	Thread tension screw	1	1	1
1		20101085	208450-UA	夹线器螺母(绿)仿手印	Thread tension screw	1	1	1
2		20111014	208448	调压止动套	Thread tension spring	3	4	4
3		20127018	201037	调压簧(强)	Thread tension spring	1	2	2
4		20127018	201037	调压簧(强)	Thread tension spring	1	2	2
5		20127019	201068	调压簧(中)	Thread tension spring	1	1	1
6		20111015	208450-UA	调压止动盖	Thread tension spring	3	4	4
7		400161	210319	夹线片	Thread tension disc	6	8	8
8		20123018	208449	夹线片垫	Thread tension disc washer	3	4	4
9		201530016	005082A	夹线螺钉	Thread tension screw	3	4	4
10		20113001	209622	过线板	Thread guide	1	2	2
10		20213001	209622	过线板(757)	Thread guide	1	2	2
11		20113002	202849	过线板	Thread guide	2	2	2
11		20213002	202849	过线板(757)	Thread guide	2	2	2
12		20113003	KG11F	挑线板	Upper thread take-up	1	1	0
12		20113004	KG6F	挑线板	Upper thread take-up	0	0	1
13		20111009	KG12	硅油盒	Oil box	1	1	1
14		20112022	KG13	油毡垫架	Oil felt	1	1	1
15		20113005	KG14	过线架	Thread guide	1	1	1
16		20122023	KG15D	硅油盒胶垫	Oil box washer	1	1	1
17		20123006	KG16	油毡垫	Oil felt	1	1	1
18		20113006	KG17	拦线板	Tension spring	1	1	1
19		20113007	KG18	拦线板支架	Thread controller disc holder	1	1	1
20		20127006	KG19	弹簧	Spring	1	1	1
21		20103008	KG21	拦线板导向套	Thread controller disc guide bushing	1	1	1
22		20101015	KG24-1	针板座键	Throat plate positioning rod	2	2	2
23		20101016	KG24-2D	针板座	Throat plate bracket	1	1	1
24		20113008	KG54	过线架	Thread mark guide	1	1	0
24		20113009	KG42	过线架	Thread mark guide	0	0	1
25		20117002	KG59	护针档	Teat needle guard	1	1	1
26		20117003	KG471	前护针档	Front needle guard	1	0	0
26		20117004	KG472	前护针档	Front needle guard	0	1	0
27		20115001	E800	针板	Needle plate	1	0	0
27		20115002	E919	针板	Needle plate	0	1	0
27		20115003	E982	针板	Needle plate	0	0	1
27		20115004	-----	针板(BK)	Needle plate	1	0	0
27		20115005	-----	针板(BK)	Needle plate	0	1	0
27		20115006	-----	针板(16S)	Needle plate	1	0	0
27		20115007	-----	针板(X2)	Needle plate	0	0	1
27		20115008	-----	针板(70)	Needle plate	0	0	1
28		20113010	KG25	过线	Thread guide	0	0	1
29		20117005	KG31D	护针档I	Needle guard I	0	0	1
30		20117006	KG37	护针档II	Needle guard II	0	0	1
31		20101017	KU18	护针档座	Needle guard bracket	1	1	0
31		20101018	KG39	护针档座	Needle guard bracket	0	0	1
32		20101019	KG26-E	挡板	Snap plate	1	1	1
33		20122024	KG46	挡板垫	Snap plate washer	1	1	1
34		W01011	KF31	垫圈	Washer	1	1	1
35		201S17005	SK260	针板螺钉	Throat screw	2	2	2
36		201S11008	SK230	前护针板螺钉	Front needle snap screw	1	1	1
37		201S11029	SK299	针板座螺钉	Throat plate bracket screw	2	2	2
38		201S11014	SK250	过线架螺钉	Thread guide holder screw	1	1	1
39		201S11001	SK207	硅油盒固定螺钉	Oil box set screw	1	1	1
40		201S20005	SK359	胶垫固定螺钉	Oil box set screw	1	1	1
41		201S11003	SK209	后护针螺钉	Rear needle guard screw	2	2	2
42		201S12009	SK242	护针档螺钉	Needle guard screw	3	3	3
43		201S11009	SK233	挑线螺钉	Thread take up screw	2	2	2
44		201S15001	SK235	挡板螺钉II	Snap plate screw II	1	1	1
45		201S30010	SK236	挡板定位螺钉	Snap plate set screw	1	1	1
46		201S11022	SK275	护针档座螺钉	screw	2	2	2
47		201S11018	SK262	过线螺钉	screw	1	1	1
48		20128030	KQ42	垫圈	Washer	1	1	1
49		S01006	SK221	螺钉	screw	1	1	1
50		20122011	KB05	胶套	Rubber bushing	2	2	2
51		400663	-----	夹线器组件(蓝)仿手印	Thread tension	1	1	1
52		400662	-----	夹线器组件(红)仿手印	Thread tension	0	1	1
53		400661	-----	夹线器组件(黄)仿手印	Thread tension	1	1	1
54		400668	-----	夹线器组件(绿)仿手印	Thread tension	1	1	1
55		20127020	201086	调压簧(弱)	Thread tension spring	1	1	1



## 七、上弯针部分 Upper Loper Assemblies

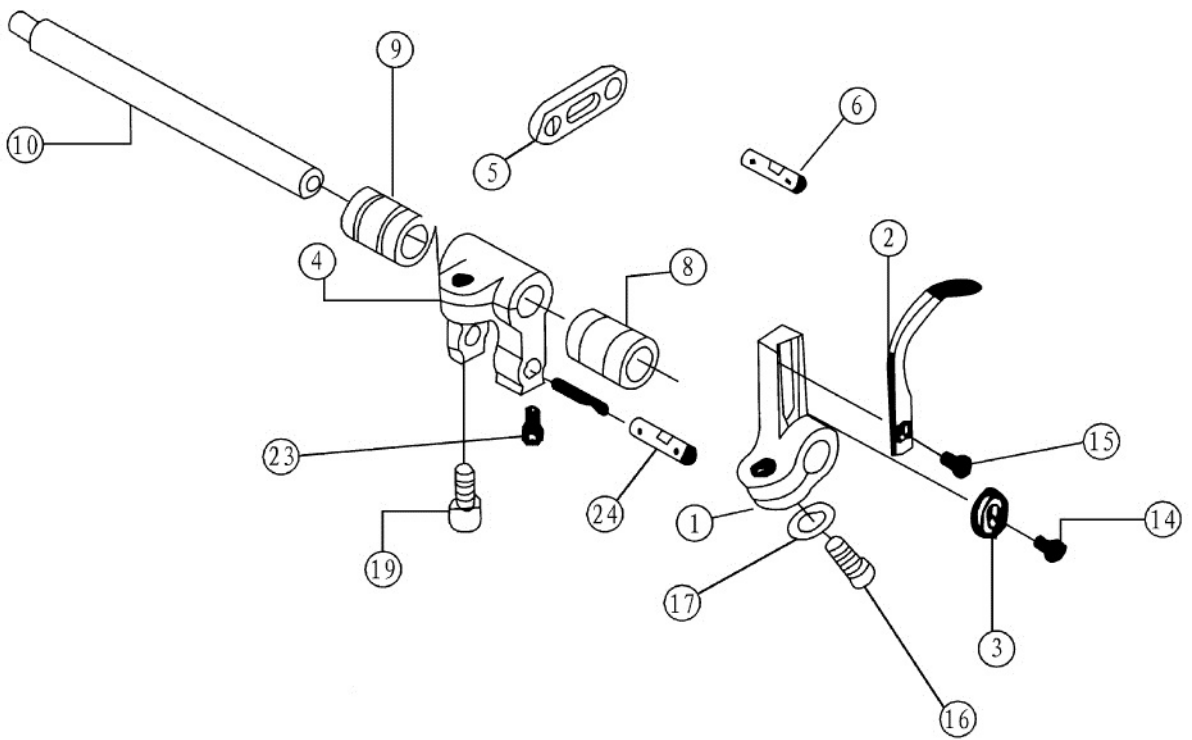
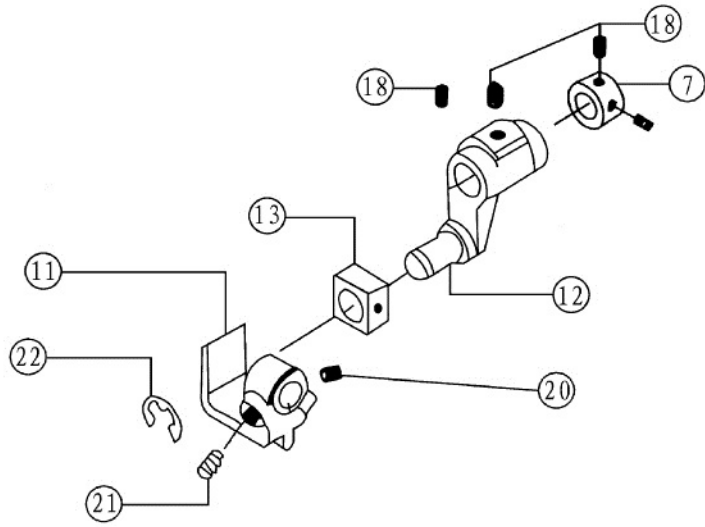
序号 NO.	件号 Part NO.	参考件号 Ref. Part No.	名称	Description	数量 (Number)		
					三线	四线	五线
					three-thread	four-thread	five-thread
1	400017	KJ01B	弯针连杆	Looper link	2	2	2
2	20126010	KJ06B	弯针连杆摆架	Looper link holder	2	2	2
3	20128005	KJ13F	厚垫圈	Thickness washer	1	1	1
4	20102006	KJ15	上弯针轴	Upper looper shaft	1	1	1
5	20128007	KJ16	大垫圈	Big washer	1	1	1
6	20103009	KJ19F	上弯针轴后套筒	Upper looper shaft rear bushing	1	1	1
7	20103010	KJ20	上弯针轴前套筒	Upper looper shaft front bushing	1	1	1
8	20122025	KJ21	上弯针轴油封	Upper looper shaft oil seal	1	1	1
9	20104004	KJ22	上弯针轴曲柄	Upper looper shaft crank	1	1	1
10	20104005	KJ26	上弯针摇杆	Upper looper shaft bar	1	1	1
11	20126011	KJ27	摇杆销	Connecting rod shaft pin	1	1	1
12	20112023	KJ28	摇杆垫片	Washer	1	1	1
13	20123021	KJ29	油线	Oil wick	1	1	1
14	20109001	KJ30F	上弯针轴导块	Upper looper slide block	1	1	1
15	2010402600	—————	上弯针滑杆曲柄组件	Upper looper slide crank component	1	1	1
16	20123009	KJ34	油毡	Oil felt	1	1	1
17	20113013	KJ58	穿线管	Thread tube	2	2	2
18	20112024	KJ39F	滤油板	Screen oil plate	1	1	1
19	20112025	KJ40F	压板	Felt plate	1	1	1
20	20112026	KJ41	导架座挡板	Thread holder snap plate	1	1	1
21	20101020	KJ42E	上弯针轴导架座	Upper looper shaft slide bar bracket	1	1	1
22	20113014	KJ68	两眼过线板	Tow for thread guide	1	1	1
23	20523003	KJ44	油线	Oil wick	1	1	1
24	201S11005	SK221	导架座挡板螺钉	Screw	1	1	1
25	20112027	KJ61D	调线刻度板	Thread amount regulating plate	1	1	1
26	20113011	KJ63	上弯针过线	Upper looper thread guard	1	1	1
27	20113012	KJ66D	上弯针轴过线板	Upper looper shaft thread plate	1	1	1
28	201S17006	SK451	导架座挡板螺钉	Screw	1	1	1
29	201S11007	SK229	上弯针紧固螺钉	Upper looper set screw	1	1	1
30	20117007	LP26	上弯针	Looper	1	1	1
31	400337	KJ11B-E	上弯针摆动曲柄	Upper looper crank bearing	0	1	1
31	400457	KG09B-E	上弯针摆动曲柄	Upper looper crank bearing	1	0	0
32	201S20015	SK385	连杆螺钉	Shaft screw	8	8	8
33	201S11035	SK408	弯针连杆止动螺钉	Screw	2	2	2
34	201S12007	SK298	上弯针轴曲柄螺钉	Upper looper crank screw	1	1	1
35	20128021	WK11	垫圈	Washer	1	1	1
36	S10005	SK216	上弯针轴曲柄顶丝	Link pin set screw	1	1	1
37	201S13003	S102	摆动曲柄螺钉	Nexagon socket screw	3	3	3
38	201S12005	SK261	上弯针轴螺钉	Upper looper shaft screw	1	1	1
39	201S11016	SK257	过线架螺钉	Thread guide screw	3	3	3
40	201S11014	SK262	调线刻度板螺钉	Screw	2	2	2
41	201S11006	SK223	弯针过线螺钉	Thread guide screw	2	2	2
42	20128020	WK09	弯针过线垫圈	Thread guide washer	2	2	2





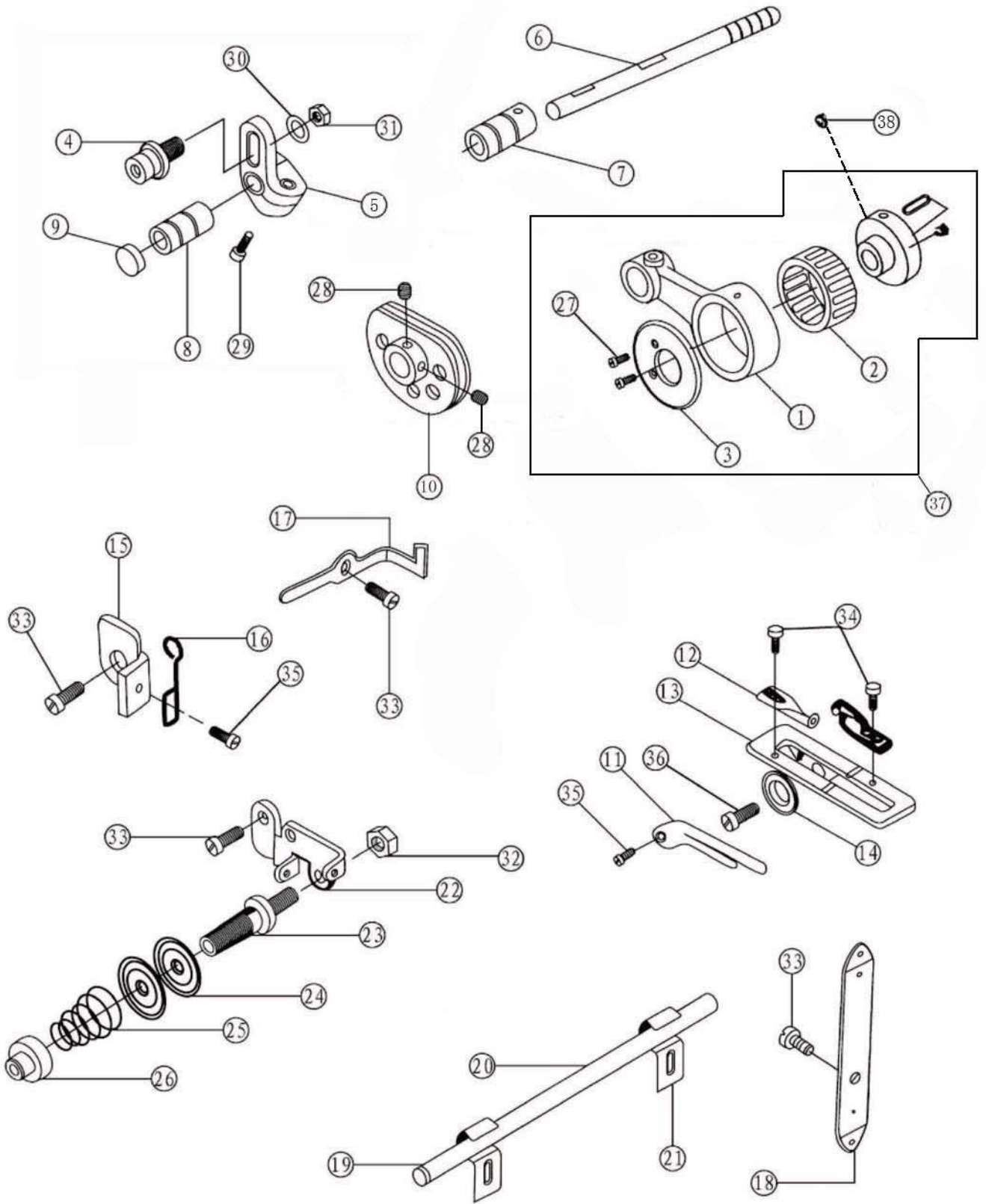
## 八、下弯针部分 Lower Looper Assemblies

序号 NO.	件号 Part NO.	参考件号 Ref. Part No.	名称	Description	数量 (Number)		
					三线	四线	五线
					three-thread	four-thread	five-thread
1	20128009	KJ13F	厚垫圈	Washer	1	1	1
2	20128007	KJ16	下弯针轴垫圈	Lower looper shaft washer	1	1	1
3	20622019	KL20	油封	Oil seal	1	1	1
4	20103011	KL21	下弯针前套筒	Lower looper front bushing	1	1	1
5	20103015	KN11	横轴右套筒	Left horizontal shaft bushing	1	1	1
6	20104008	KL23-3	下弯针架	Lower looper holder	1	1	0
6	20104025	-----	下弯针架	Lower looper holder	0	0	1
7	400223	KL612	下弯针摆动曲柄	Lower looper crank	1	1	0
7	20104010	KL09B	下弯针摆动曲柄	Lower looper crank	0	0	1
8	20117008	KL25	下弯针	Lower looper	1	1	0
8	20117009	-----	下弯针	Lower looper	0	0	1
9	201S11007	SK230	曲柄螺钉	Crank screw	0	0	2
10	20113015	KL38	过线	Thread guide	1	1	1
11	20113016	KL43	下弯针过线	Lower looper thread guide	1	1	1
12	20113017	KL46	下弯针三孔过线	Lower looper3-thread guide	1	1	1
13	20102007	KL57	下弯针轴	Lower looper shaft	1	1	0
13	20102008	KL16	下弯针轴	Lower looper shaft	0	0	1
14	201S12005	SK261	下弯针轴螺钉	Low looper shaft screw	1	1	1
15	201S13003	SK612	摆动曲柄螺钉	Crank screw	1	1	1
16	201S12007	SK298	下弯针架螺钉	Lower looper holder screw	1	1	1
17	20128021	WK11	下弯针架垫圈	Lower looper holder washer	2	2	2
18	206S11002	SK241	下弯针螺钉	Lower looper	1	1	1
19	201S11016	SK257	下弯针过线螺钉	Thread guide screw	1	1	1
20	301S20013	200152	曲柄螺钉	Crank screw	1	1	1



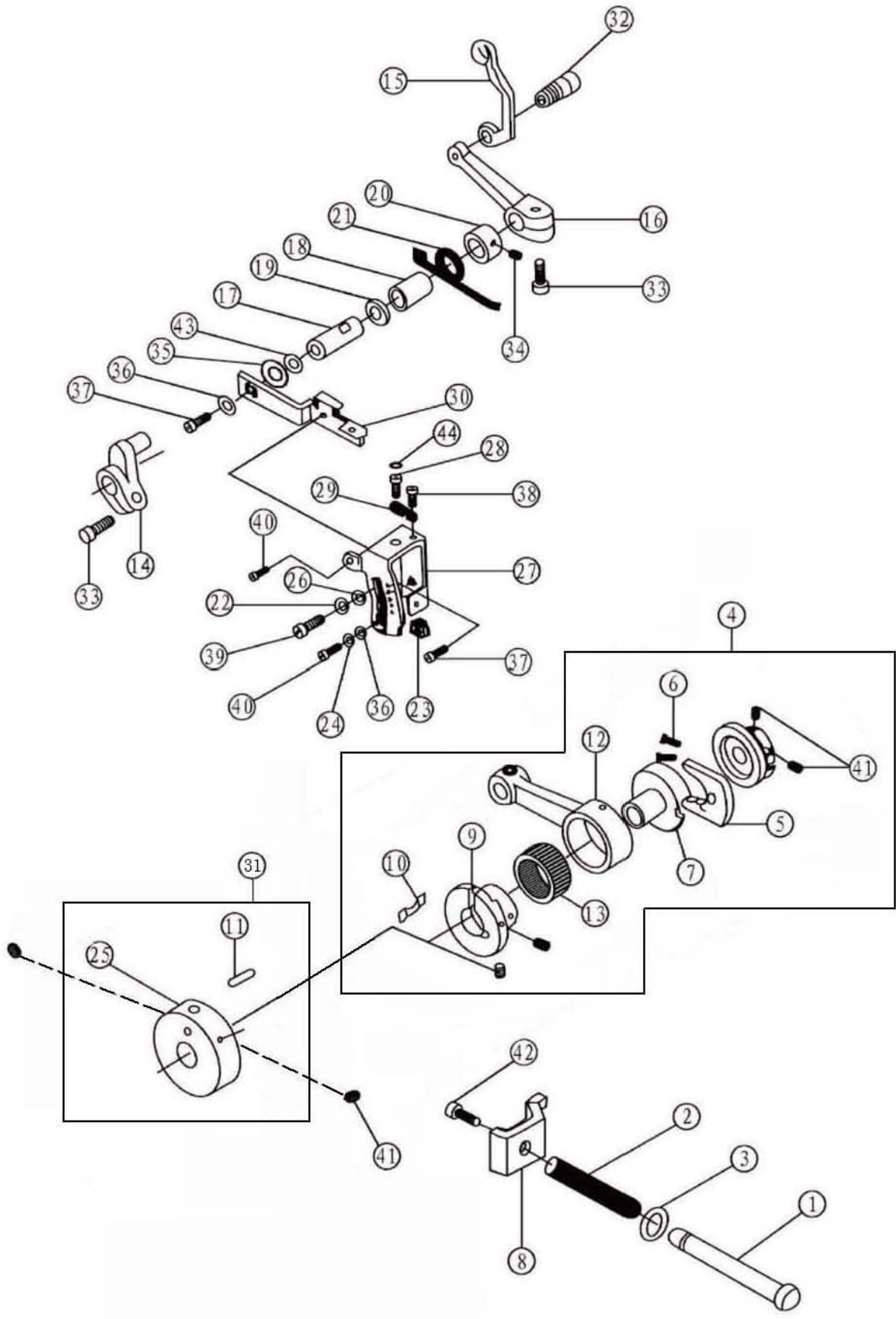
## 九、前弯针部分 Front Looper Assemblies

序号 NO.	件号 Part NO.	参考件号 Ref. Part No.	名称	Description	数量 (Number)		
					三线	四线	五线
					three-thread	four-thread	five-thread
1	20104011	KM01	前弯针架	Front looper shaft holder	0	0	1
2	20117010	KM04	前弯针	Front looper	0	0	1
3	20128014	KM06	前弯针调节垫片	Washer	0	0	1
4	20104012	KM08	前弯针曲柄	Front looper crank	0	0	1
5	20609017	KM11	连板	Regulating plate	0	0	1
6	20126013	KM12	调节板销	Regulating plate pin	0	0	2
7	20108001	KF07	挡圈	Snap ring	0	0	1
8	20103013	KM17	前弯针轴前套筒	Front looper shaft front bushing	0	0	1
9	20103014	KM18	前弯针轴后套筒	Front looper shaft rear bushing	0	0	1
10	20102009	KM26	前弯针轴	Front looper shaft	0	0	1
11	20101021	KM27D	驱动座	Driving lever	0	0	1
12	20104013	KM28	驱动曲柄	Driving crank	0	0	1
13	20109002	KM29D	前弯针滑块	Front looper slide block	0	0	1
14	201S11003	SK209	前弯针调节垫螺钉	Thread guide screw	0	0	1
15	201S11008	SK230	前弯针固定螺钉	Front looper guide set screw	0	0	1
16	201S12007	SK298	前弯针架螺钉	Front looper holder set screw	0	0	1
17	20128021	WK11	下弯针架垫圈	Washer	0	0	1
18	201S12002	SK251	前弯针曲柄螺钉	Front looper crank screw	0	0	4
19	201S13003	SK612	前弯针曲柄固定螺钉	Crank holder set screw	0	0	1
20	201S14002	SK270	驱动曲柄顶丝	Driving lever set screw	0	0	1
21	201S30009	SK499	驱动曲柄螺钉	Driving lever set screw	0	0	1
22	20129003	EK03	卡簧	Snap ring	0	0	1
23	201S12005	SK261	曲柄销固定螺钉	Screw	0	0	1
24	20126022	-----	调节板销	Regulating plate pin	0	0	1



## 十、打线凸轮部分 Cam Assemblies

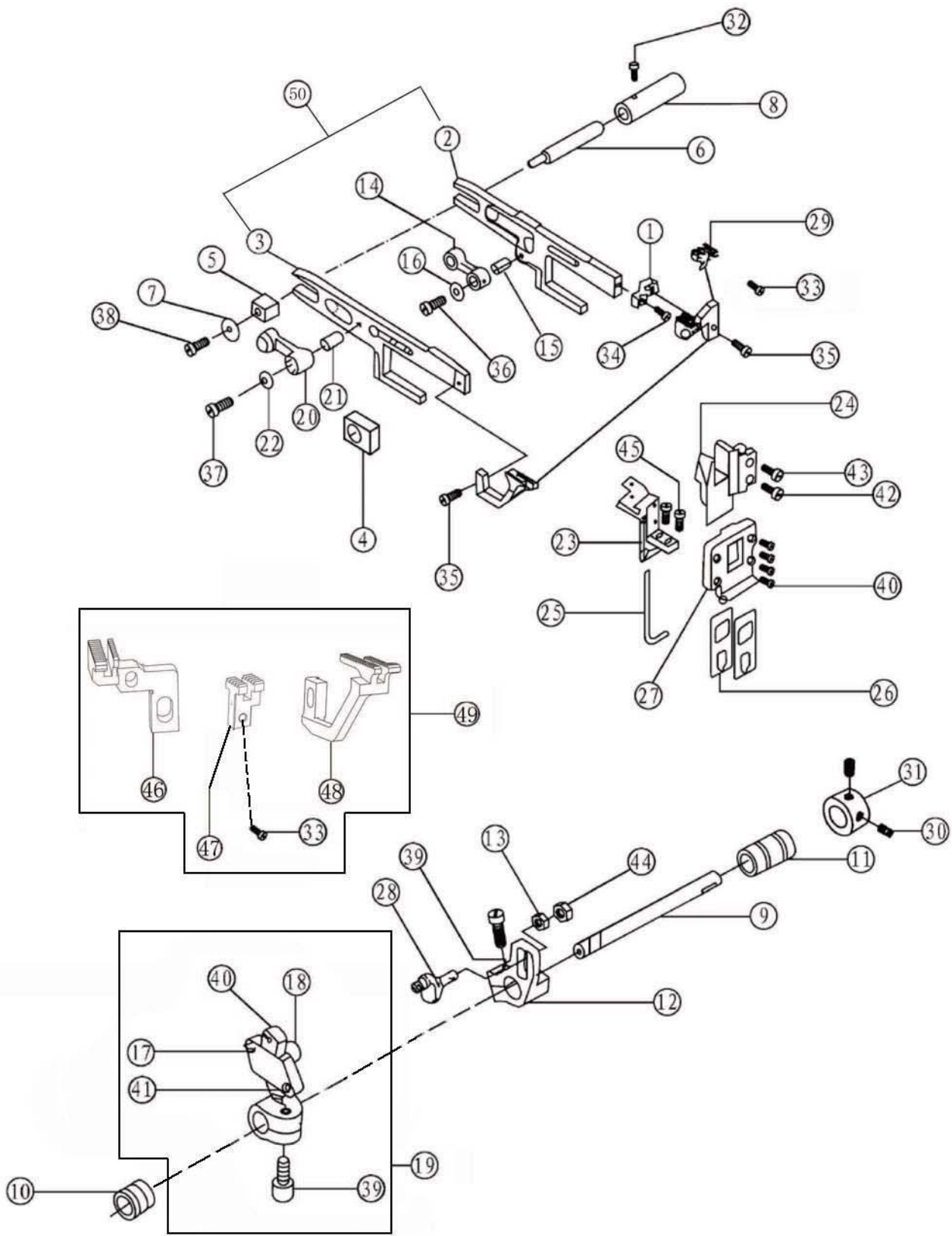
序号 NO.	件号 Part NO.	参考件号 Ref. Part No.	名称	Description	数量 (Number)		
					三线	四线	五线
					three-thread	four-thread	five-thread
1	20105003	KN01	横轴连杆	Horizontal shaft link	0	0	1
2	20124002	KN02	连杆滚针轴承	Needle bearing	0	0	1
3	20112028	KN03	轴承挡圈	Snap ring	0	0	1
4	20126014	KN05	曲柄销	Pin	0	0	1
5	20104014	KN08	横轴曲柄	Horizontal shaft crank	0	0	1
6	20102010	KN10	横轴	Horizontal shaft	0	0	1
7	20103015	KN11	横轴右套筒	Left horizontal shaft bushing	0	0	1
8	20103016	KN12	横轴左套筒	Right horizontal shaft bushing	0	0	1
9	20122028	KN13	油封	Oil seal	0	0	1
10	2011301800	KM8	打线凸轮组件	Looper thread take-up cam	0	0	1
11	20113020	KN20	导线板	Thread guide	0	0	1
12	20113021	KN22	过线板	Thread	0	0	2
13	20112029	KN24	导线架	Bracket	0	0	1
14	20128015	KN26	波形垫圈	Flat spring	0	0	1
15	20112030	KN27	限位板	Astrict position plate	0	0	1
16	20113022	KN29	过线环	Thread guide ring	0	0	1
17	20113023	KN32	二眼过线板	Thread guide	0	0	1
18	20113024	KN34	后导线板	Thread guide	0	0	1
19	20113025	KN36-1	导线管套	Thread pipe cover	0	0	2
20	20113026	KN36-2	过线管	Thread pipe	0	0	1
21	20112031	KN37	过线板压板	Bracket	0	0	2
22	20112032	KN38	压线器架	Bracket	0	0	1
23	201S30012	KN40	夹线挺	Screw	0	0	1
24	20112033	KN42	夹线片	Tension disc	0	0	2
25	20127007	KN43	夹线簧	Spring	0	0	1
26	201S16007	KN44	调压螺母	Nut	0	0	1
27	201S17001	SK205	轴承挡圈螺钉	Bearing snap ring screw	0	0	2
28	201S14001	SK216	打线凸轮顶丝	Cam set screw	0	0	2
29	201S13003	SK612	横轴曲柄螺钉	Crank set screw	0	0	1
30	20128033	WK11	曲柄调节销垫圈	Washer	0	0	1
31	201S16002	WK04	曲柄调节螺母	Nut	0	0	1
32	201S16003	NK26	夹线器架螺母	Nut	0	0	1
33	201S11014	SK257	夹线器架螺钉	Screw	0	0	4
34	201S11001	SK207	过线板螺钉	Thread guide plate screw	0	0	2
35	201S11009	SK233	导线板螺钉	Thread guide plate screw	0	0	2
36	201S20001	SK264	导线架固定螺钉	Screw	0	0	1
37	2010402300	————	曲柄连杆凸轮组件	Shaft link crank	0	0	1
38	201S14002	SK215	送布凸轮调节螺钉	Screw	0	0	2



## 十一、差动送布部分 Different Feed Assemblies

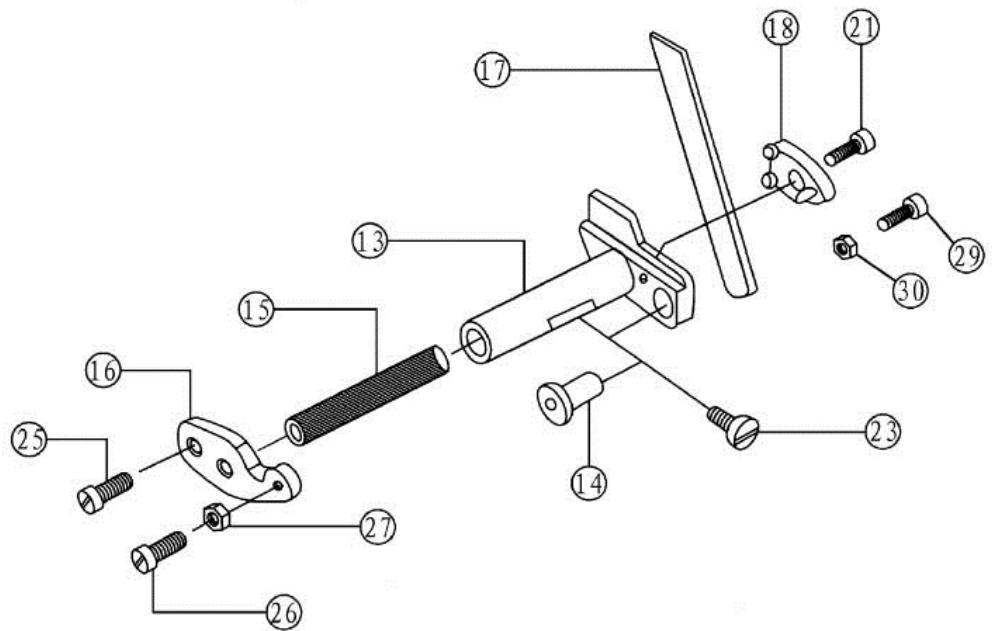
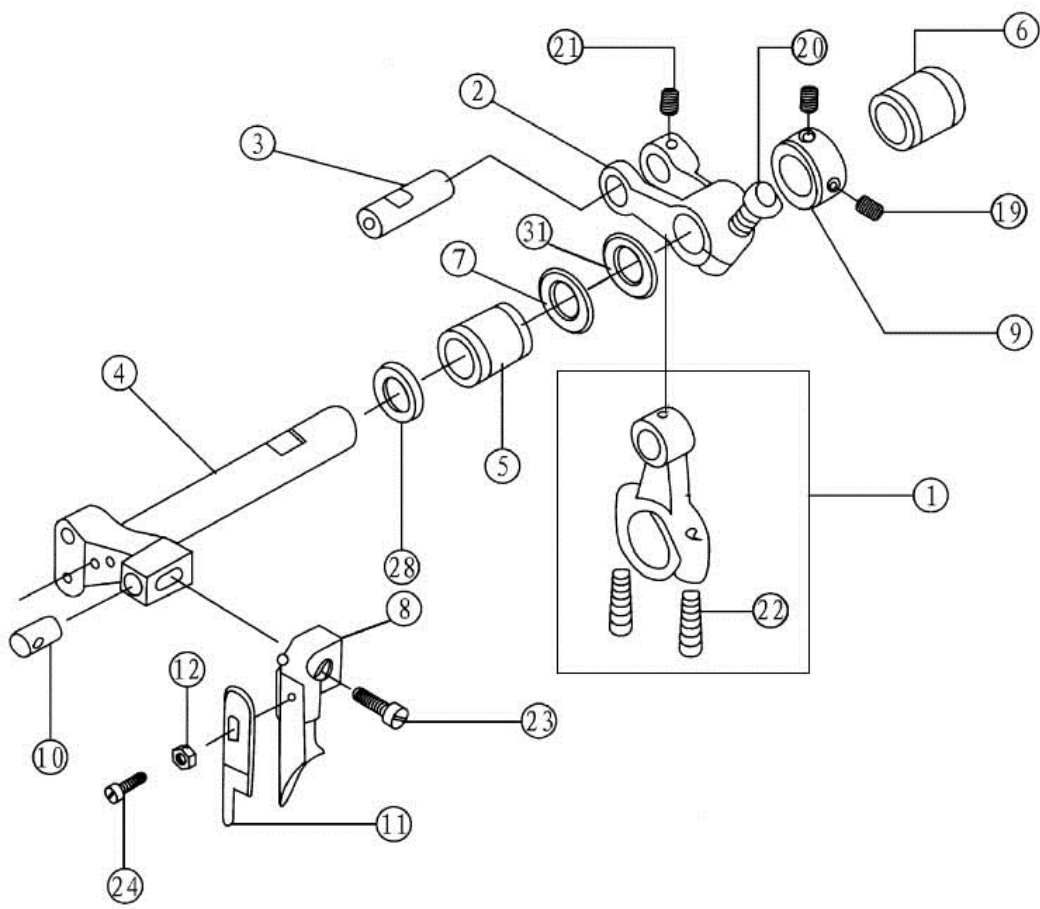
序号 NO.	件号 Part NO.	参考件号 Ref. Part No.	名称	Description	数量 (Number)		
					三线	四线	五线
					three thread	four thread	five thread
1	20102011	KP01	送布调节器杆	Stitch length regulating shaft	1	1	1
2	20127008	KP02	针距调节器簧	Spring	1	1	1
3	20122005	KP03	送布调节器杆油封	Oil washer	1	1	1
4	2010500900	KP05D	送布组件	Stitch length regulation cam asm	1	1	1
5	20109005	KP06D	针距调节滑块	Stitch length regulating block	1	1	1
6	20127009	KP08	针距调节滑块压簧	Stitch length regulating block spring	2	2	2
7	20110002	KP09D	针距凸轮	Stitch length cam	1	1	1
8	20112034	KP11	针距调节压板	Stitch length regulating plate	1	1	1
9	20110003	KP13D	送布凸轮	Feed length cam	1	1	1
10	20112035	KP15	送布凸轮簧	Feed cam spring	1	1	1
11	P01004	KP18-1	送布凸轮座销	Feed cam pin	1	1	1
12	20105004	KP21	送布连杆	Feed link	1	1	1
13	B07007	KP22	滚动轴承	Feed rod rolling pin bearing	1	1	1
14	20104015	KP23	送布曲柄	Feed crank	1	1	1
15	20105005	KP25	差动连杆	Differential link	1	1	1
16	20104016	KP28	差动曲柄	Differential crank	1	1	1
17	20102012	KP30B	差动轴	Differential shaft	1	1	1
18	20103017	KP31	差动轴套筒	Differential shaft bearing	1	1	1
19	20122029	KP32	油封	Oil seal	1	1	1
20	20108005	KP34	挡圈	Snap ring	1	1	1
21	20127010	KP35D	弹簧	Spring	1	1	1
22	201S16008	KP39	调节螺母	Washer	1	1	1
23	20109005	KP43	调节滑块	Regulating block	1	1	1
24	20128027	KP46	垫圈	Washer	1	1	1
25	20110004	KP59	送布凸轮座	Feed bam	1	1	0
26	20628009	KP60	垫圈	Washer	1	1	1
27	20112036	KP62	差动调节架	Differential regulation holder	1	1	1
28	201S30013	KP63	调节螺钉	Regulating screw	1	1	1
29	20127011	KP64	卡簧	Regulating screw spring	1	1	1
30	20112037	KP65B	差动调节杆	Differential regulating link	1	1	1
31	400439	————	送布凸轮座组件	Feed bam pack	1	1	0
32	201S20008	SK452	差动连杆螺钉	Differential link screw	1	1	1
33	201S13003	SK612	差动曲柄螺钉	Differential crank screw	2	2	2
34	201S12002	SK251	挡圈螺钉	Snap ring screw	1	1	1
35	20128024	WK24	垫圈	Washer	1	1	1
36	W01006	WK01	垫圈	Washer	2	2	2
37	201S11016	SK262	差动调节杆螺钉	Differential position screw	1	1	1
38	201S11005	SK221	卡簧螺钉	Spring screw	1	1	1
39	201S30005	SK399	差动调节螺钉	Differential regulating screw	1	1	1
40	201S11018	SK262	差动调节架螺钉	Differential regulating screw	1	1	1
41	201S14002	SK215	送布凸轮调节螺钉	Screw	4	4	4
42	201S12005	SK261	针距调节压板螺钉	Screw	1	1	1
43	20122038	————	差动轴密封圈	Washer	1	1	1
44	20137004	————	旋向标牌	Mard plate	1	1	1





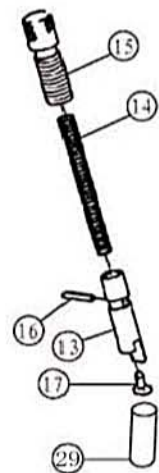
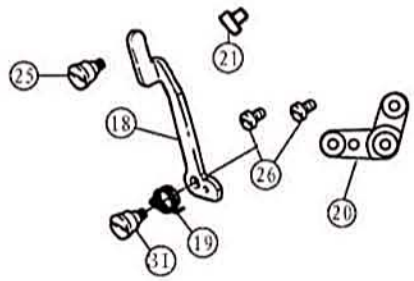
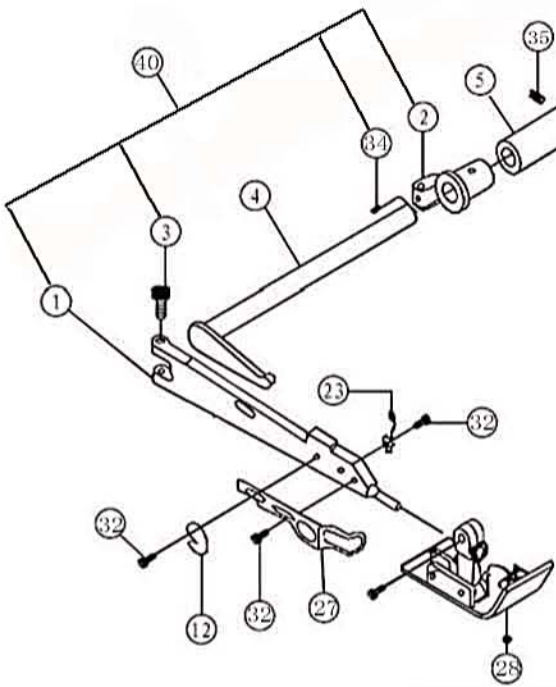
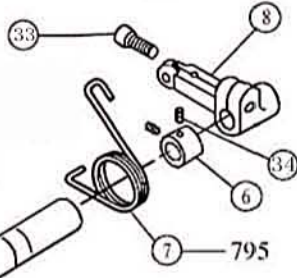
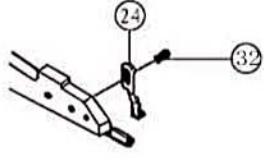
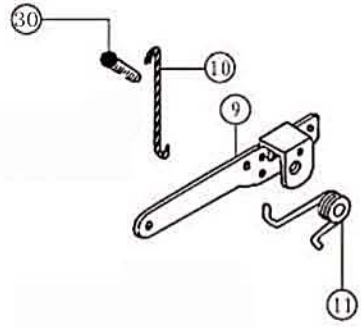
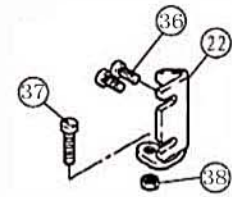
## 十二、抬牙送布部分 Feed Dog Assemblies

序号 NO.	件号 Part NO.	参考件号 Ref. Part No.	名称	Description	数量 (Number)		
					三线	四线	五线
					three-thread	four-thread	five-thread
1	20109006	KQ05	牙连接板	Dog link plate	1	1	1
2	20106001	KQ07	送布牙架	Feed dog holder	1	1	1
3	20106002	KQ10	差动牙架	Differential feed dog holder	1	1	1
4	20109007	-----	抬牙滑块	Feed dog lift slide block	1	1	1
5	20109008	KQ14	差动送布滑块	Differential feed slide block	1	1	1
6	20102013	KQ15	滑块偏心轴	Slide block eccentric shaft	1	1	1
7	20112038	KQ17	差动送布滑块偏心垫	Slide block eccentric washer	1	1	1
8	20103018	KQ19	滑块偏心轴套筒	Slide block eccentric shaft bushing	1	1	1
9	20102014	KQ21	送布轴	Feed shaft	1	1	1
10	20103019	KQ24	送布轴左套筒	Left feed shaft bushing	1	1	1
11	20103020	KQ25	送布轴右套筒	Right feed shaft bushing	1	1	1
12	20104017	KQ28	送布调节曲柄	Feed regulating crank	1	1	1
13	20128021	KQ31	垫圈	Washer	1	1	1
14	20105006	KQ33	送布牙架连杆	Feed dog holder link	1	1	1
15	20103021	KQ34	送布牙架连杆套	Feed dog holder link bushing	1	1	1
16	20128029	KQ35	送布牙架连杆套垫圈	Differential feed dog holder link bushing	1	1	1
17	20112039	KQ37-1	曲柄滑块盖板	Crank slide block cover	1	1	1
18	20109010	KQ37-2	曲柄滑块	Crank slide block	1	1	1
19	2010402400	KQ37-3	差动牙调节曲柄组件	Feed regulating crank	1	1	1
20	20105007	KQ40	差动牙架连杆	Differential feed dog holder link	1	1	1
21	20103022	KQ41	差动牙架连杆套	Differential feed dog holder link bushing	1	1	1
22	20128030	KQ42	差动牙架连杆套垫圈	holder link bushing washer	2	2	2
23	20101023	KQ46D	挡油板	Screw oil plate	1	1	1
24	400020	KQ47	牙架导轨	Feed dog carrier connection rod	1	1	1
25	20122030	KQ48	密封圈	Sealing connecting ring	1	1	1
26	20122031	KQ49	活动油封	Adjustable oil seal	2	2	2
27	20109012	KQ50	密封导架	Sealing connecting rod	1	1	1
28	20102015	KQ90	送布牙架偏心轴	Feed dog link eccentric shaft	1	1	1
29	2011401700	-----	三四送料组件	Feed form	1	1	0
29	2011401800	-----	三线薄料送料组件	Feed form	1	0	0
29	2011401900	-----	五线送料组件	Feed form	0	0	1
29	2011402000	-----	厚料送料组件	Feed form	0	0	1
30	201S15003	SK293	挡圈螺钉	Snap ring screw	2	2	2
31	20108002	KF21	挡圈	Snap ring	1	1	1
32	201S12002	SK251	调牙套筒螺钉	Screw	1	1	1
33	201S11003	SK209	辅助牙螺钉	Screw	1	1	1
34	201S11012	SK241	牙架接板螺钉	Screw	1	1	1
35	201S11038	SK576	主送布牙螺钉	Main feed dog screw	2	2	2
36	201S12003	SK253	左牙叉连杆螺钉	Screw	1	1	1
37	201S12004	-----	右牙叉连杆螺钉	Screw	1	1	1
38	201S17003	SK212	抬牙滑块螺钉	Screw	1	1	1
39	201S13003	SK612	右送布曲柄螺钉	Crank screw	2	2	2
40	201S11005	SK221	左曲柄螺钉	Crank screw	4	4	4
41	201S11032	SK343	曲柄滑动盖螺钉	Crank slide block screw	2	2	2
42	201S11018	SK262	牙叉叉块螺钉II	Tooth rocks screw II	1	1	1
43	201S11023	SK277	牙叉叉块螺钉I	Tooth rocks screw I	1	1	1
44	201S16002	NK25	右送布曲柄销螺母	Nut	1	1	1
45	201S11016	SK257	挡油板螺钉	Screw	2	2	2
46	20114007	-----	主送布牙(180/181)	Main feed dog	1	1	0
47	20114008	-----	辅助送布牙(180/181)	Main feed dog	1	1	0
48	20114009	-----	差动送布牙(180/181)	Differental dog	1	1	0
49	2011401700	-----	送料组件	Feed form	1	1	0
49	2011401800	-----	送料组件(16S)	Feed form	1	0	0
49	2011401900	-----	送料组件	Feed form	0	0	1
49	2011402000	-----	送料组件(厚料)	Feed form	0	0	1
49	2010402100	-----	送料组件(BK)	Feed form	1	1	0
50	400019	-----	牙架组件	Dog spur pack	1	1	1



### 十三、剪切部分 Trimming Assemblies

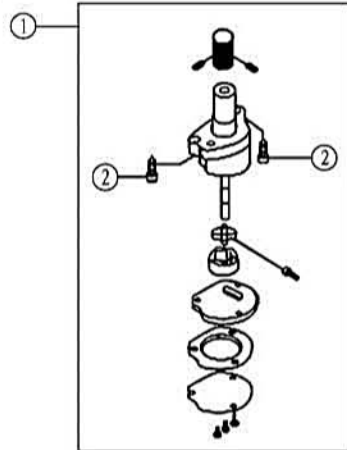
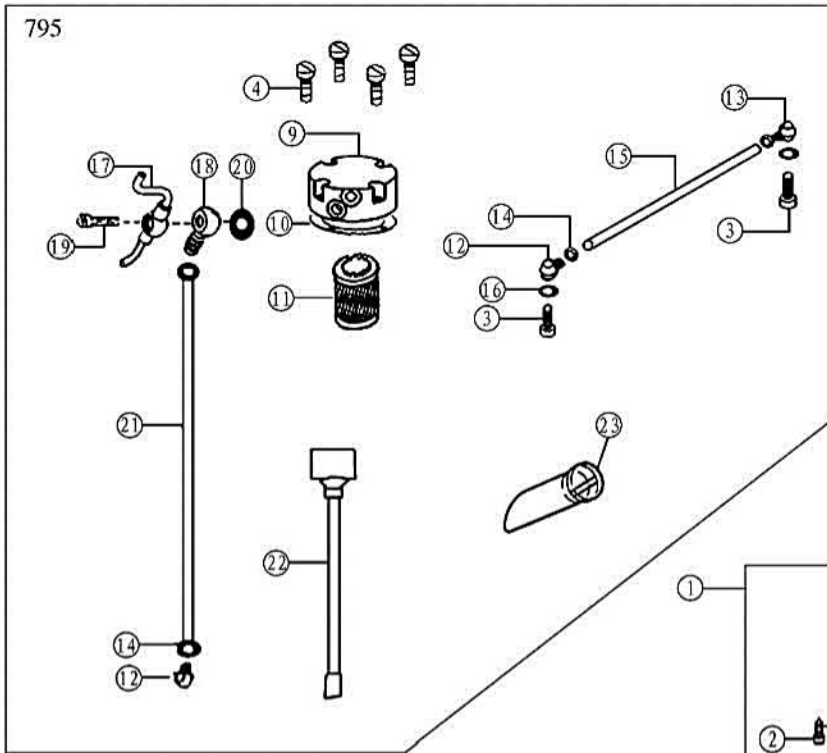
序号 NO.	件号 Part NO.	参考件号 Ref. Part No.	名称	Description	数量 (Number)		
					三线	四线	五线
					three-thread	four-thread	five-thread
1	400016	KR01	上刀连杆	Upper knife driving connecting link	1	1	1
2	20104019	KR04	上刀曲柄	Upper knife crank	1	1	0
2	20104020	KR03	上刀曲柄	Upper knife crank	0	0	1
3	20126015	KR07	曲柄销	Crank pin	1	1	1
4	20102017	KR09	上刀架轴	Upper knife frame rock shaft	1	1	1
5	20103023	KR12	上刀轴左套筒	Left shaft bushing	1	1	1
6	20103024	KR13	上刀轴右套筒	Right shaft bushing	1	1	1
7	20128031	KR14	垫圈	Washer	1	1	1
8	20101024	KR20	上刀座	Upper knife holder	1	1	0
8	20101025	KR19	上刀座	Upper knife holder	0	0	1
8	20101053	-----	上刀座(厚料)	Upper knife holder	0	0	1
9	20108002	KR21	挡圈	Snap ring	1	1	1
10	20126016	KR22	上刀架轴销	Upper knife holder pin	1	1	1
11	20119001	KR23	上刀	Upper knife	1	1	1
11	20119005	-----	上刀(厚料)	Upper knife	0	0	1
12	20128020	WK09	垫片	Washer	1	1	1
13	20102018	KR27	下刀架	Lower knife holder	1	1	0
13	20102019	KR26	下刀架	Lower knife holder	0	0	1
13	20102023	-----	下刀架(倒回缝)	Lower knife holder	1	1	0
14	20103025	KR29	下刀架套筒	Lower knife holder bushing	1	1	1
15	20127012	KR32	下刀架弹簧	Lower knife holder spring	1	1	1
16	20112040	KR33	下刀架挡板	Lower knife holder	1	1	1
17	20119002	KR35	下刀	Lower knife	1	1	1
17	20119006	-----	下刀(厚料)	Lower knife	0	0	1
18	20101026	KR36	下刀压板	Lower knife holder lock plate	1	1	1
19	201S15003	SK293	挡圈螺钉	Snap ring screw	2	2	2
20	201S13003	SK612	上刀曲柄紧固螺钉	Upper knife crank set screw	1	1	1
21	201S12005	SK270	上刀曲柄销螺钉	Upper knife crank pin screw	2	2	2
22	201S20015	SK385	上刀连杆螺钉	Connecting link screw	2	2	2
23	201S11022	SK277	上刀座螺钉	Upper knife holder screw	2	2	2
24	201S12001	SK246	上刀螺钉	Upper knife screw	1	1	1
25	201S11018	SK262	下刀挡板螺钉	Lower knife snap plate screw	1	1	1
26	201S11012	SK241	下刀挡板螺钉	Lower knife snap plate screw	1	1	1
27	201S16001	NK23	下刀挡板螺母	Lower knife snap plate screw	1	1	1
28	20122038	KF19	油封	Oil seal	1	1	1
29	201S11015	SK256	下刀架螺钉	Lower knife holder screw	1	1	1
30	W01006	KQ35	垫圈 4	Washer	1	1	0
30	20128025	-----	垫片	Washer	0	0	1
31	20628014	KR14	垫圈	Washer	1	1	1



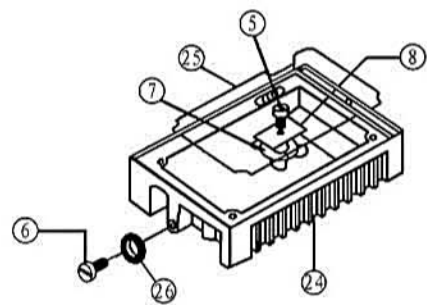
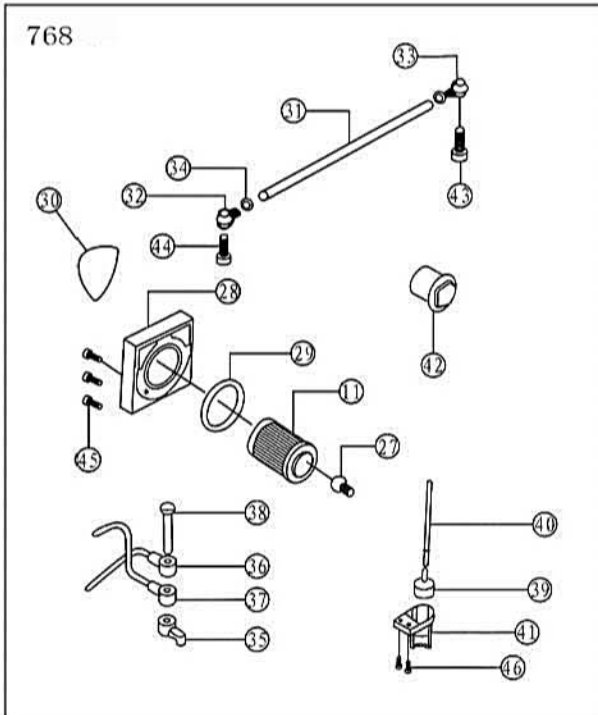
十四、压布部分 Presser foot Assemblies

序号 NO.	件号 Part NO.	参考件号 Ref. Part No.	名称	Description	数量 (Number)		
					三线	四线	五线
					three-thread	four-thread	five-thread
1	20101027	KS01	压脚架	Presser foot holder	1	1	1
2	20103026	KS02D	压脚轴套	Presser foot shaft bushing	1	1	1
3	201S11004	KS03	压脚架连接板螺钉	Screw	1	1	1
4	400018	KS09	压脚架轴	Presser foot holder shaft	1	1	1
5	20103027	KS10D	压脚轴套筒	Presser foot shaft bushing	1	1	1
6	20108006	KS12	压脚轴挡圈	Presser foot shaft snap ring	1	1	1
7	20127013	KP35D	抬压脚扭簧	Presser foot lifting spring	1	1	1
8	20104021	KS14F	压脚曲柄	Presser foot crank	1	1	1
9	20112041	KS18	抬压脚柄	Presser foot lifting lever	1	1	1
10	20126018	KS20	压脚柄勾	Hook	1	1	1
11	20127014	KS21	压脚柄簧	Spring	1	1	1
12	20119003	KS24	割线刀	Thread cutting knife	1	1	1
13	20102021	KS26-2D	压杆	Presser bar	1	1	1
14	20127015	KS27	压杆簧	Presser bar spring	1	1	1
15	201S30014	KS28	压杆螺钉	Presser bar screw	1	1	1
15	203S30001	KS28	压杆螺钉	Presser bar screw	1	1	1
16	203S20001	SK439	螺钉	Screw	1	1	1
16	201S20009	————	螺钉	Screw	1	1	1
17	20611006	274013	压杆减震块	Presser bar shockproof block	1	1	1
18	20112074	————	压杆扳手	Presser foot lifting handle	1	1	1
19	20627010	274017	压脚扳手扭簧	Presser foot lifting handle spring	1	1	1
20	20101052	————	压杆扳手座	Presser foot lifting handle restricter	1	1	1
21	30122018	240123	防震垫	Washer	1	1	1
22	20612031	209676	压脚角板	Presser foot corner plate	1	1	1
23	20127016	KS44	压脚弹簧	Presser foot spring	0	0	1
24	20112042	KS54	压脚架连接板	Presser foot holder connection plate	1	1	0
25	206S20007	————	螺钉	Screw	1	1	1
26	S02003	S157	螺钉	Screw	2	2	2
27	20112045	KS65	压脚架护罩	Presser foot holder cover	1	1	1
28	20116001	P253E-3	压脚组件	Presser foot form	1	0	0
28	20116002	P253E-4	压脚组件	Presser foot form	0	1	0
28	20116003	P504-A	压脚组件	Presser foot form	0	0	1
28	20116006	————	压脚组件 (16S)	Presser foot form	1	0	0
28	20116007	————	压脚组件 (70)	Presser foot form	0	0	1
28	20516015	————	压脚组件 (X2)	Presser foot form	0	0	1
28	20116004	————	压脚组件 (倒回缝)	Presser foot form	1	0	0
28	20116005	————	压脚组件 (倒回缝)	Presser foot form	0	1	0
29	20103028	KS32	压杆套	Presser bar bushing	1	1	1
30	201S20004	SK296	压脚柄勾螺钉	Set screw	1	1	1
31	201S30020	————	压脚扳手螺钉	Lifting handle screw	1	1	1
32	201S11005	SK221	螺钉	Screw	3	3	3
33	201S12007	SK298	压脚曲柄定位螺钉	Crank set screw	1	1	1
34	201S13003	————	压脚曲柄定位螺钉	Crank set screw	1	1	1
35	S10005	005292-HV	压脚轴挡圈螺钉	Snap washer screw	3	3	3
36	201S14002	————	螺钉	Screw	1	1	1
37	201S11016	SK257	压脚角板螺钉	Set plate screw	2	2	2
38	S01023	7175	螺钉	Screw	1	1	1
39	N01004	————	螺母	Nut	1	1	1
40	2010104300	————	压脚架组件	Presser foot frame pack	1	1	1

795



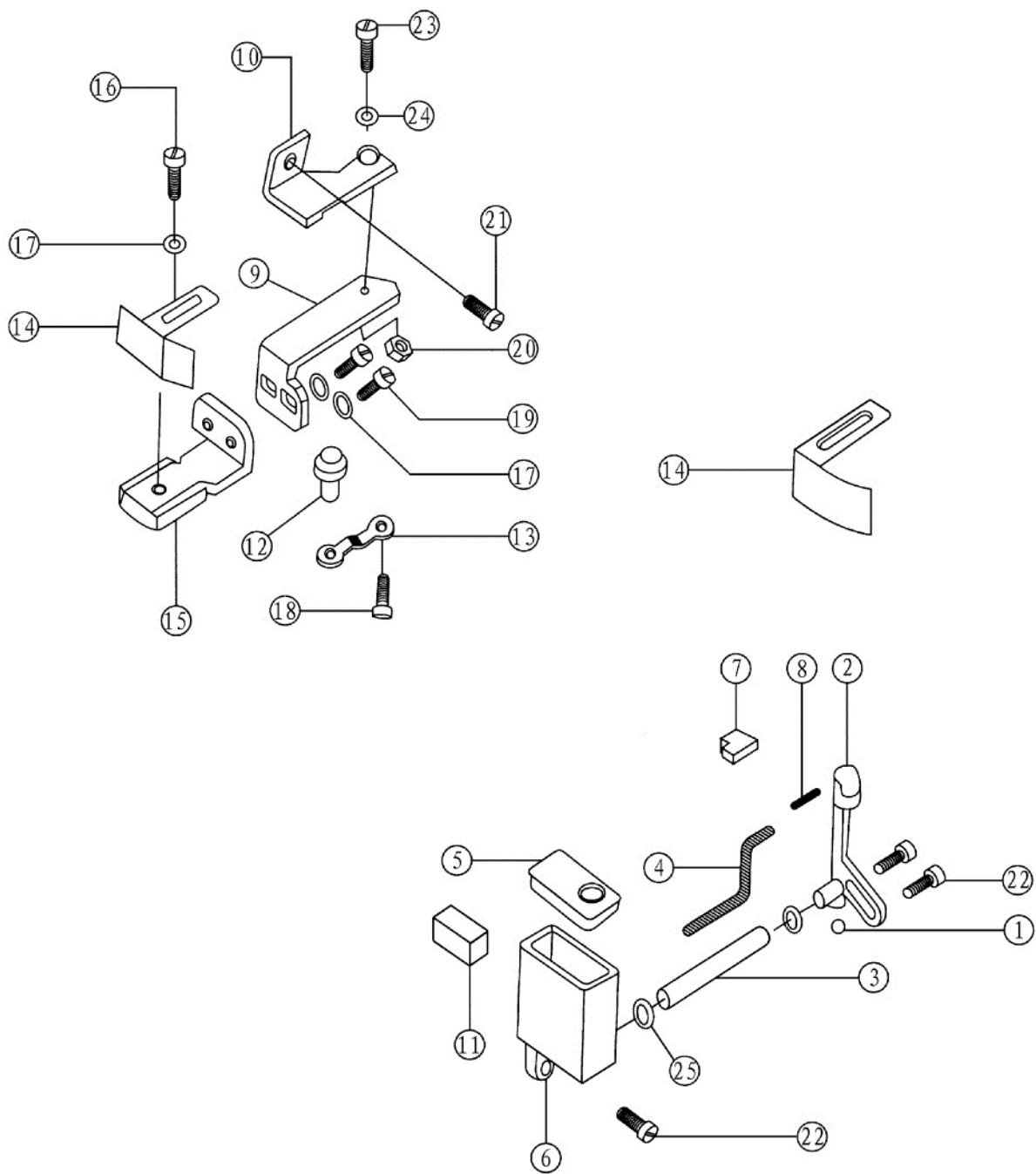
768



## 十五、润滑部分 Lubrication Assemblies

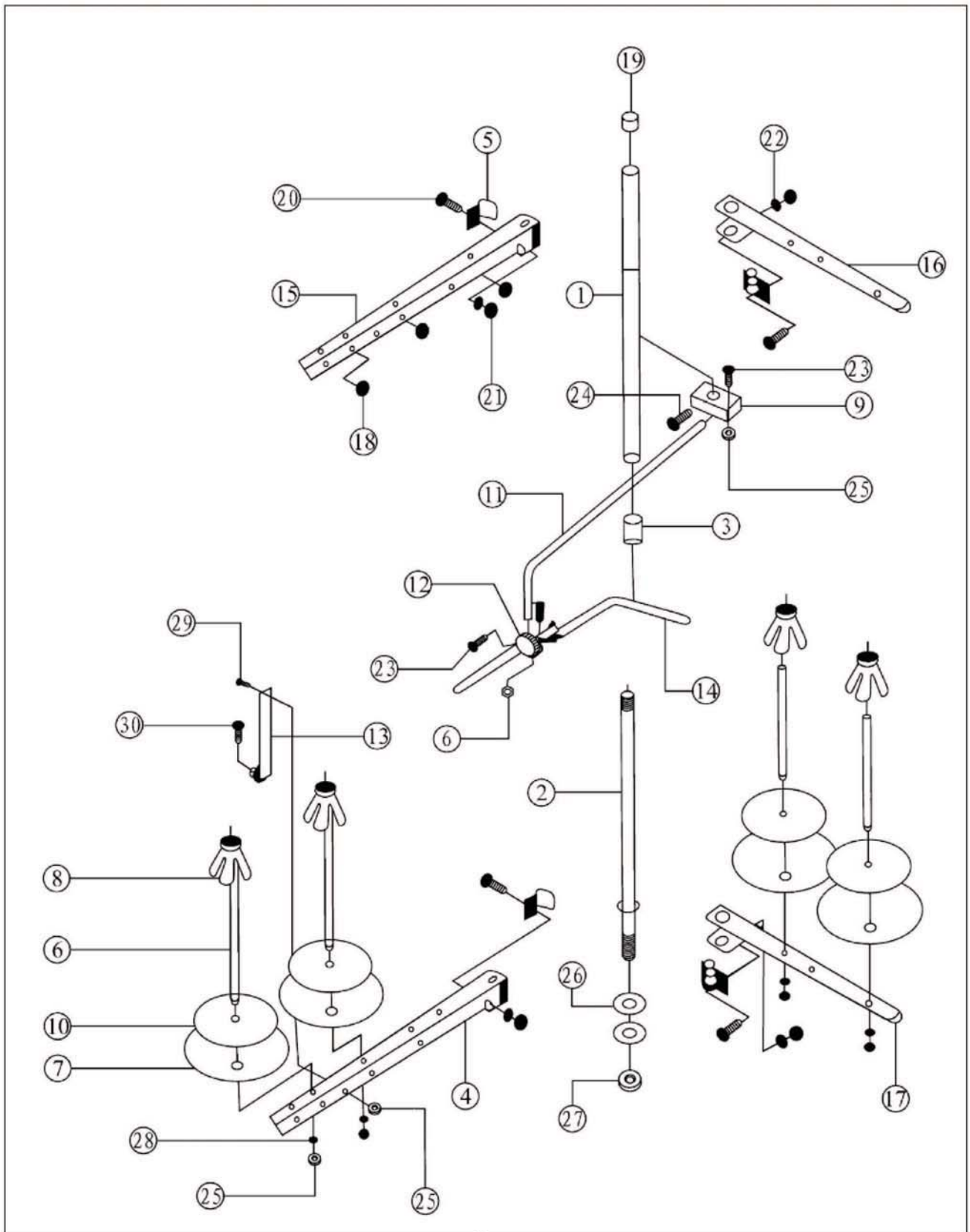
序号 NO.	件号 Part NO.	参考件号 Ref. Part No.	名称	Description	数量 (Number)		
					三线	四线	五线
					three-thread	four-thread	five-thread
1	20120001	-----	油泵(795)	Oil pump	1	1	1
	20320001	-----	油泵(768)	Oil pump	1	1	1
2	201S11025	SK278	油泵螺钉	Oil pump screw	2	2	2
3	201S30004	SK304	油管接头I螺钉	Oil tube joint screw	4	4	4
4	209S11019	-----	滤油器盖螺钉	Oil screen cover screw	4	4	4
5	201S11019	SK265	油盘磁铁盖螺钉	Oil pan magnet cover screw	1	1	1
6	201S11031	SK310	油盘放油螺钉	Oil pan screw	1	1	1
7	20131083	-----	油盘磁铁	Oil pan magnet	1	1	1
8	20112050	KT58	油盘磁铁盖	Oil pan magnet cover	1	1	1
9	20101034	-----	滤油器盖	Oil clearer cover	1	1	1
10	20122032		滤油器盖纸垫	Oil clearer cover seal ring	1	1	1
11	20136001	KT14-A	滤油器	Oil clearer	1	1	1
12	20136007	-----	油管接头I	Oil tube joint I	2	2	2
13	20136007	-----	油管接头II	Oil tube joint II	1	1	1
14	20129002	-----	油管卡簧	Oil tube shape ring	4	4	4
15	30121021	-----	油管	Oil tube	1	1	1
16	20122034	-----	垫片	Washer	3	3	3
17	20136004	-----	双头配油器	Double node oil manager	1	1	1
17	20121012	-----	双头配油器	Double node oil manager	1	1	1
18	20136007	-----	油管接头	Oil tube joint	1	1	1
19	201S30015	-----	配油器螺钉	oil manager screw	1	1	1
20	20122033	-----	垫片	Washer	4	4	4
21	30121021	-----	油管	Oil tube	1	1	1
22	20121016	KA38	牙架回油管	Oil back tube	1	1	1
23	20111010	-----	油标	Oil observer	1	1	1
24	20101090	KT51B	油盘	Oil pan	1	1	1
25	20122035	KT52B	油盘垫圈	Oil pan washer	1	1	1
26	20122036	KT56	堵油垫圈	Oil seal	1	1	1
27	20121013	-----	滤油器接头	Oil cljerner joint	1	1	1
28	300077	KT16	滤油器盖	Oil screen cover	1	1	1
29	20322004	KT17	滤油器盖密封圈	Oil clerner cover seal ring	1	1	1
30	20337005	KT18	润滑提示	ingicaing plat	1	1	1
31	30121021	-----	油管	Oil clearer cover	1	1	1
32	20136001	-----	油管接头I	Oil tube joint I	1	1	1
33	20136001	-----	油管接头II	Oil tube joint II	1	1	1
34	20429001	202199	油管卡簧(小)	Oil tube shap ring	1	1	1
35	20301006	KT38	润滑套	Lubrcate bushing	1	1	1
36	20321002	KT22	上配油器	Upper screem	1	1	1
37	20321003	KT39-2	下配油器	lower screem	1	1	1
38	203S30004	SK286	配油器螺钉	Oil screem screw	1	1	1
39	20311005	KT46E	油量显示座	Oil show bracket	1	1	1
40	20311006	KT47E	油量显示器杆	Oil show cleaner link	1	1	1
41	20312003	KT49D	油量显示器支架	Oil show cleaner guard	1	1	1
42	20311008	KT74	油标刻度板	Oil dial	1	1	1
43	203S30003	SK419	油管接头II螺钉	Screw	1	1	1
44	201S30004	SK304	S063螺钉	Screw	1	1	1
45	201S11019	SK265	S039螺钉	Screw	3	3	3
46	201S11014	SK250	S027螺钉	Screw	2	2	2





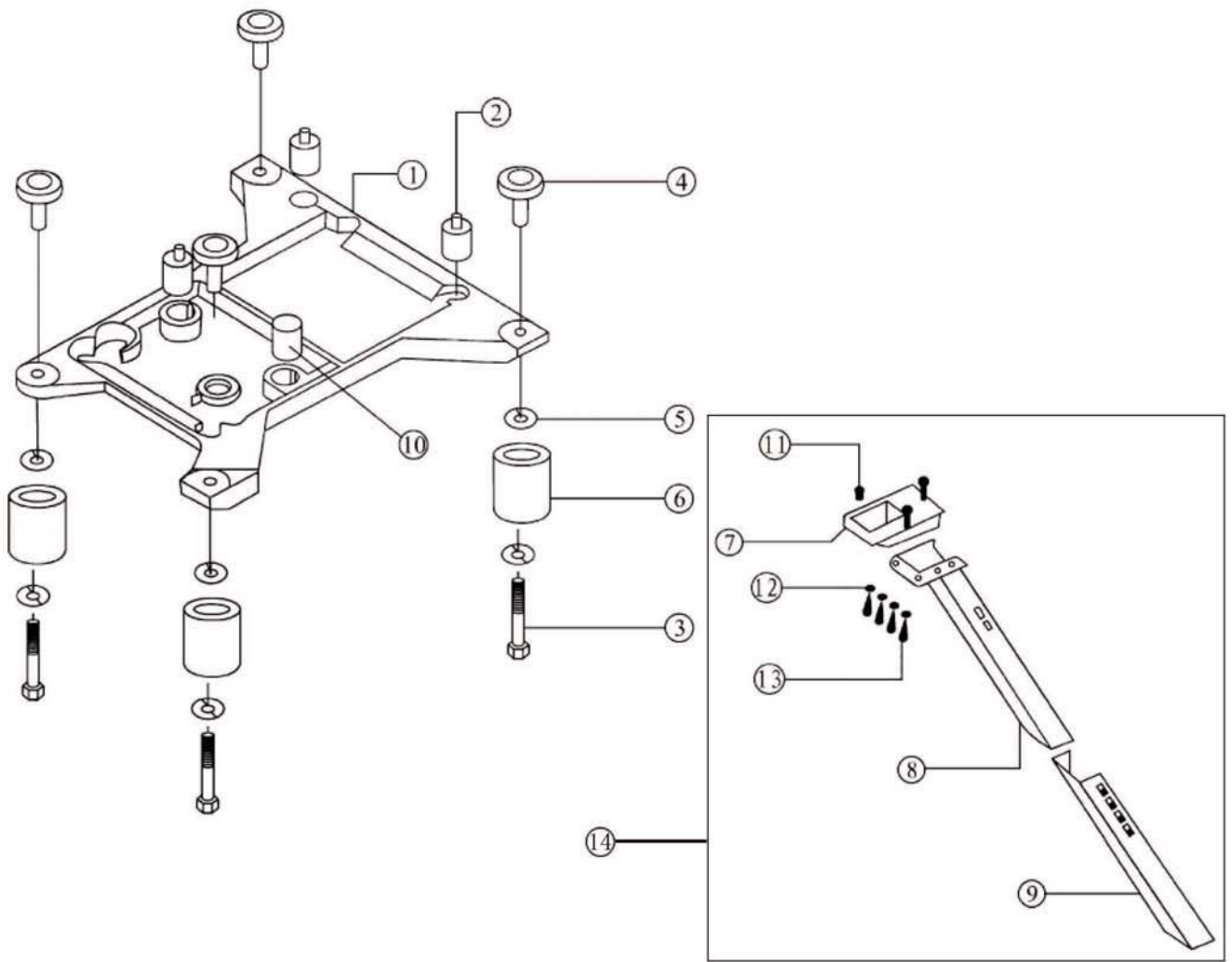
## 十六、送布挡料部分 Feed Snap Assemblies

序号 NO.	件号 Part NO.	参考件号 Ref. Part No.	名称	Description	数量 (Number)		
					三线	四线	五线
					three-thread	four-thread	five-thread
1	20123012	KU02	油堵	Oil seal	1	1	1
2	20101037	KU14	机针冷却器	Needle cooler	1	1	0
2	20101038	KU15	机针冷却器	Needle cooler	0	0	1
3	30121021	KU20	油管	Oil tube backer	1	1	1
4	20123021	KU22	硅油冷却油线	Oil wick	1	1	1
5	20111011	KU23-1B	下硅油盒盖	Lower oil box cover	1	1	1
6	20111012	KU23-2B	下硅油盒	Lower oil box	1	1	1
7	20123014	KU24	油棉	Oil felt	1	1	0
7	20123015	KU25	油棉	Oil felt	0	0	1
8	20123021	KU26	油线	Oil wick	1	1	1
9	20112051	KU27D	送料支架	Cloth guide holder	1	1	1
10	20112052	KU28D	铰链	Hinge plate	1	1	1
11	20123017	KU29	硅油棉块	Oil felt block	1	1	1
12	20126020	KU34	铰链销	Hinge pin	1	1	1
13	20112053	KU35	铰链弹簧	Hinge spring	1	1	1
14	20112054	KU40	挡料板	Snap plate	1	1	0
14	20112055	KU39	挡料板	Snap plate	0	0	1
14	20112071	————	挡料板 (倒回缝)	Snap plate	1	1	0
15	20112056	KU43	挡料板座	Snap plate bracket	1	1	1
16	201S11009	SK233	螺钉	Screw	1	1	1
17	20128020	WK09	垫圈	Washer	3	3	3
18	201S11011	SK239	铰链簧螺钉	Hinge spring screw	1	1	1
19	201S12001	SK246N	铰链螺钉	Hinge screw	2	2	2
20	201S16003	NK26	螺母	Nut	1	1	1
21	201S11016	SK277N	送料支架螺钉	Cloth guide holder screw	1	1	1
22	201S11018	SK262	机针冷却器螺钉	Needle cooler screw	3	3	3
23	201S20002	SK266	螺钉	Cloth guide holder screw	1	1	1
24	20128027	KP46	垫圈	Washer	1	1	1
25	20129002	KT26	油管卡簧	Oil tube shape ring	2	2	2



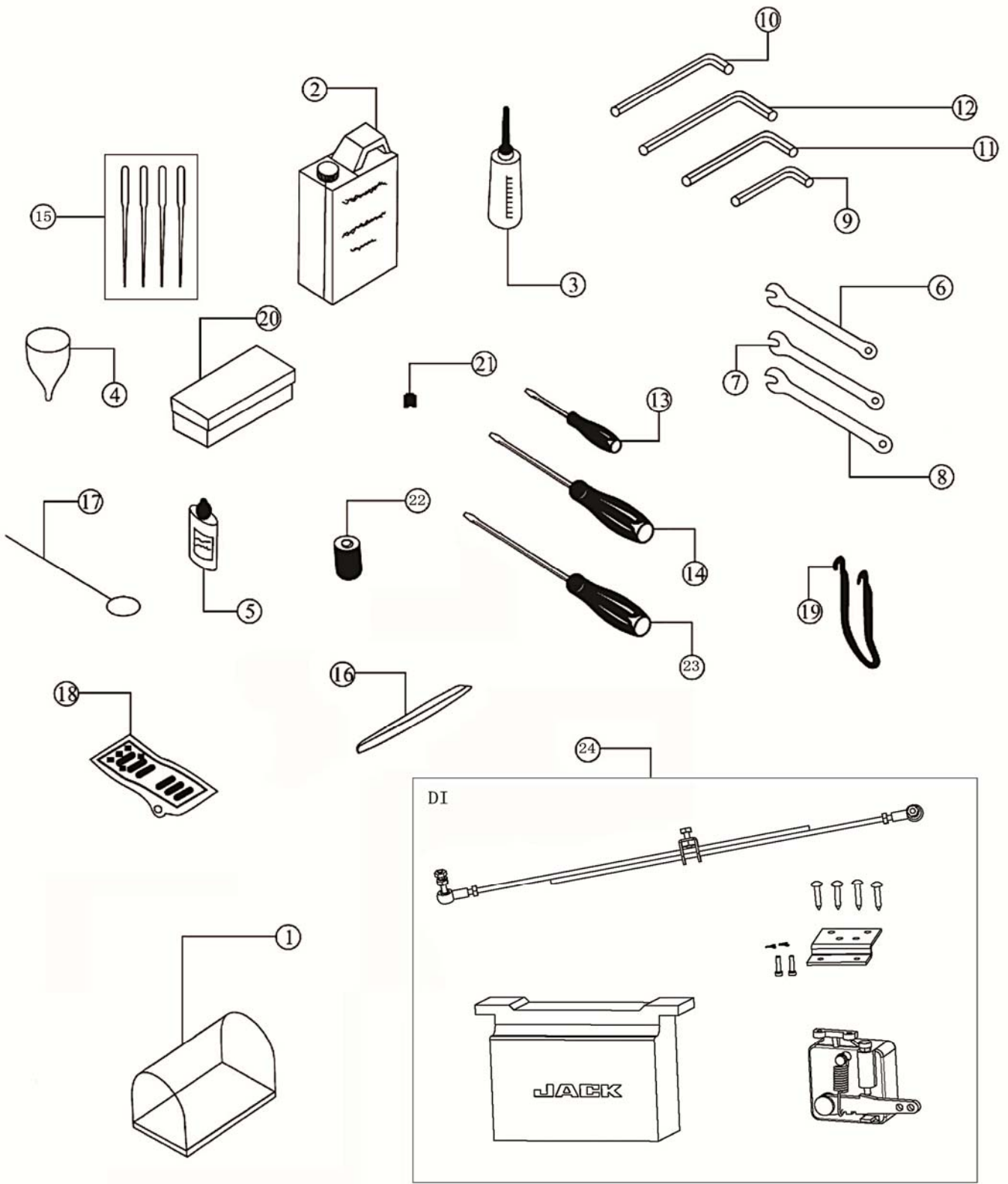
## 十七、线架部分 Thread Spool Assemblies

序号 NO.	件号 Part NO.	参考件号 Ref. Part No.	名称	Description	数量 (Number)		
					三线	四线	五线
					three-thread	four-thread	five-thread
1	20131001	KW01E	上管	Upper thread column	1	1	1
2	20131002	KW02E	下管	Lower thread column	1	1	1
3	20131003	KW03E	套	Bushing	1	1	1
4	20131004	KW04E	长托线架	Long thread spool troy bracket	1	1	1
5	20131005	KW05E	导线环	Thread guide hook	4	4	4
6	20131006	KW09B	线托棒	Spool pin	3	4	5
7	20131007	KW12E	线盘	Spool tray	3	4	5
8	20131008	KW13E	线圈定位套	Centering device	3	4	5
9	20131009	KW14E	棒架	Clamp plate	1	1	1
10	20131010	KW28E	线盘垫	Spool tray cushioning	3	4	5
11	20131011	KW16	导线棒	Thread guide connecting bar	1	1	1
12	20131012	KW20E	固定器	Thread guide joint	1	1	1
13	20131013	KW22	固定板	Thread stable holder	1	1	1
14	20131014	KW23	导线棒	Thread guide bar	1	1	1
15	20131015	KW26E	大导线架	Thread spool tray bracket	1	1	1
16	20131016	KW28E	过线板	Thread guide plate	1	1	1
17	20131017	KW29E	托线架	Thread spool tray bracket	1	1	1
18	20131018	KW32E	过线环	Thread guide hook	3	3	3
19	20131019	KW3613	棒冒	Rubber seal	1	1	1
20	20131020	SK421	导线环螺钉	Thread guide hook screw	4	4	4
21	201S16006	NK31B	导线环螺母	Thread guide hook nut	4	4	4
22	20128016	SW01	导线环垫圈	Thread guide washer	4	4	4
23	20131021	SK386B	棒架螺钉	Clamp plate screw	3	3	3
24	20131022	SK281B	棒架螺钉	Clamp holder screw	1	1	1
25	201S16004	NK29B	螺母	Nut	8	8	8
26	20128025	KW25B	下管垫圈	Lower washer	2	2	2
27	201S16005	NK30	螺母	Nut	1	1	1
28	20128018	SW04	垫圈	Washer	4	4	4
29	20131023	SK420	固定板螺钉	Thread stand holder screw	1	1	1
30	20131024	SK422	固定板连接螺钉	Thread stand holder join screw	1	1	1
31	20131090	-----	三线线架组件	Thread stand component	1	0	0
31	20131091	-----	四线线架组件	Thread stand component	0	1	0
31	20131074	-----	五线线架组件	Thread stand component	0	0	1



## 十八、托盘、排料部分 Plate Row Material Assemblies

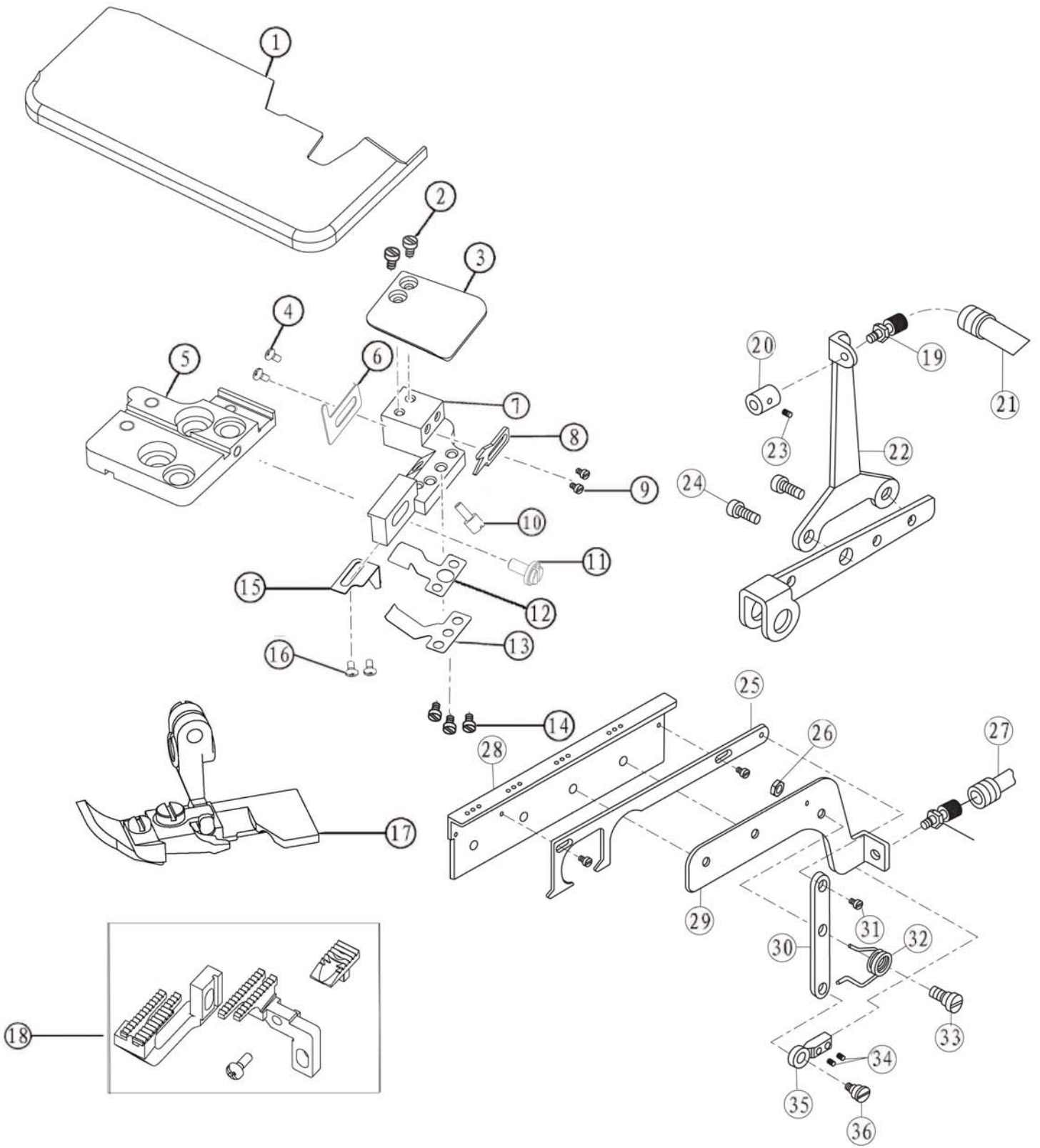
序号 NO.	件号 Part NO.	参考件号 Ref. Part No.	名称	Description	数量 (Number)		
					三线	四线	五线
					three-thread	four-thread	five-thread
1	20131025	KX01	机架托盘	Machine head plate	1	1	1
2	20131026	KX02	减震垫组件	Head shockproof cushion	3	3	3
3	20131027	KX04	螺钉M8x55	Screw	4	4	4
4	20131028	KX05	托盘螺钉固定头	Screw	4	4	4
5	20131029	KX08	大垫圈	Big washer	12	12	12
6	20131030	KX09	防震套	Plate dog link bushing	12	12	12
7	20131031	KX10E	排料槽座	Row material trolgh bracket	1	1	1
8	20131032	KX12E	排料槽I	Row material trough I	1	1	1
9	20131033	KX13E	排料槽II	Row material trough II	1	1	1
10	20131057	————	托盘防震垫	Washer	1	1	1
11	20131034	SK391	排料槽座螺钉	Row material seat screw	3	3	3
12	20128022	WK21	排料槽垫圈	Row material washer	4	4	4
13	20131035	SK392	排料槽螺钉	Row material screw	4	4	4
14	20131094	————	落料斗组件	Row material component	1	1	1



## 十九、随机附件部分 Accessories Assemblies

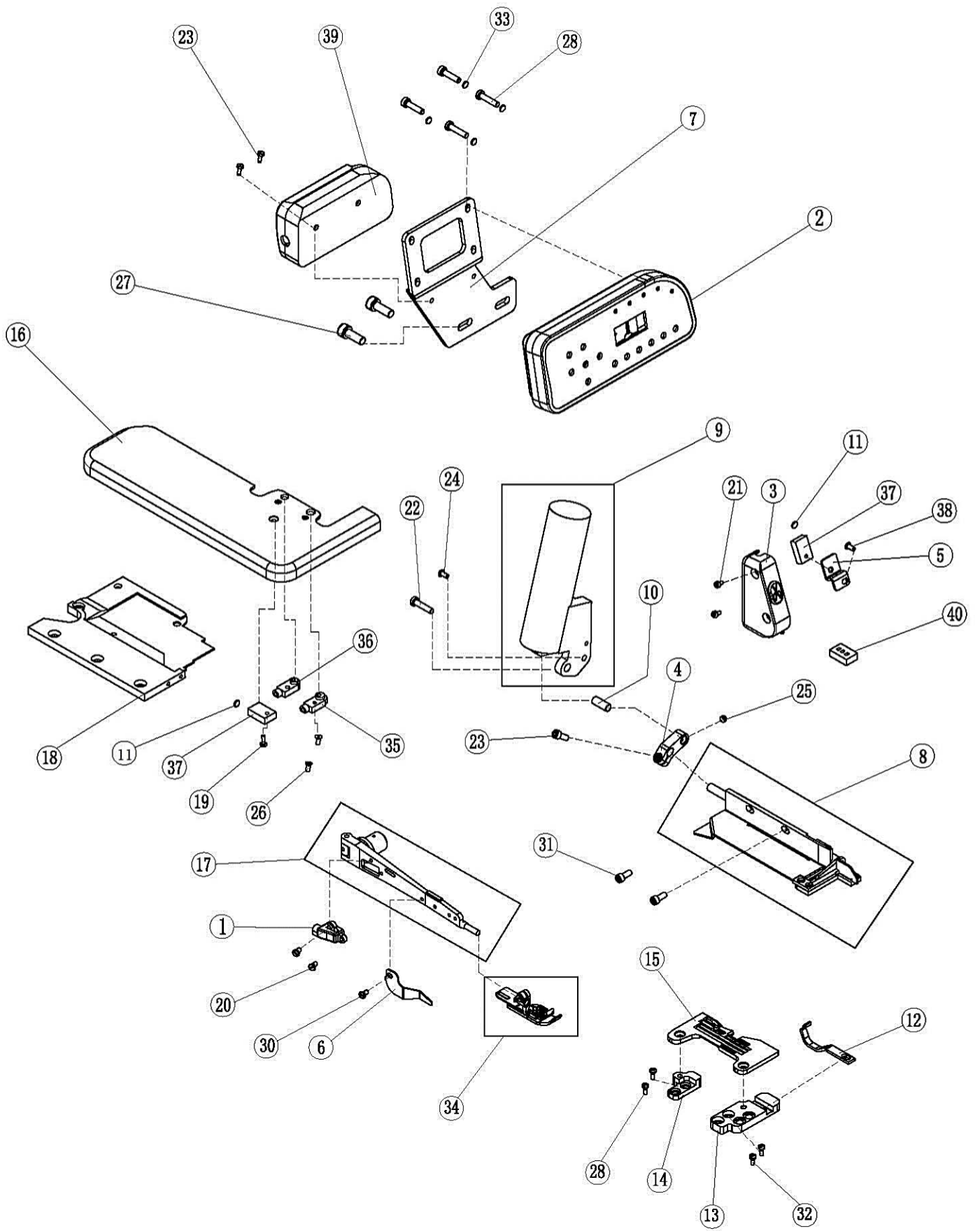
序号 NO.	备注 Note	件号 Part NO.	参考件号 Ref. Part No.	名称	Description	数量 (Number)		
						三线	四线	五线
						three-thread	four-thread	five-thread
1		10131005	KY01	机罩	Machine head cover	1	1	1
2		20131037	KY02	油壶/100cc	Oil can/100cc	1	1	1
3		20131038	KY03	注油壶	Notes oil	1	1	1
4		20131039	KY04	漏斗	Tundish	1	1	1
5		20131040	KY05	油壶/50cc	Oil can/50cc	1	1	1
6		20131041	KY07	扳手 (6mm)	Spanner	1	1	1
7		20131042	KY08	扳手 (7mm)	Spanner	1	1	1
8		20131043	KY09	扳手 (8mm)	Spanner	1	1	1
9		20131044	KY10	内六角扳手 (2mm)	Inner-hexagon screw driver	1	1	1
10		20131045	KY11	内六角扳手 (3mm)	Inner-hexagon screw driver	1	1	1
11		20131046	KY12	内六角扳手 (5mm)	Inner-hexagon screw driver	1	1	1
12		20131047	KY13	内六角扳手 (6mm)	Inner-hexagon screw driver	1	1	1
13		10131004	KY14	螺丝刀 (小)	screw driver	1	1	1
14		10131003	KY15	螺丝刀 (中)	screw driver	1	1	1
15		20117011	DCX27	机针9#	Needle9#	1	0	0
15		20117051	----	机针11#	Needle11#	1	2	0
15		20117056	----	机针14#	Needle14#	0	0	2
15		20117014	----	机针19#	Needle19#	0	0	2
16		20131051	KY18	镊子	Tweezer	1	1	1
17		20131052	KY19	金属线	Metal guide	0	0	1
18		20131053	KY20D	脚踏板	Presser foot base	1	1	1
19		20131054	KY21-A	脚踏板链	Presser foot base chain	1	1	1
20		20131055	KY26	附件盒	Attachment box	1	1	1
21		201S14001	SK216	顶针螺钉	Thumble screw	4	4	4
22		20136001	KT14-A	过滤器	Oil filter	1	1	1
23		10131002	KY15	螺丝刀 (大)	screw driver	1	1	1
24		2033000200	----	直驱专用部件	DI Special Parts	1	1	1





## 二十、倒回缝部件 Back Latch Components

序号 NO.	公司件号 Part NO.	参考件号 Ref. Part No.	名称	Description	数量 (Number)		
					三线	四线	五线
					three-thread	four-thread	five-thread
1	2011207000	----	缝台盖组件	Cloth plate	1	1	0
2	201S11003	----	螺钉	Screw	2	2	0
3	20112064	----	压线板	Thread press plate	1	1	0
4	201S11002	----	螺钉	Screw	2	2	0
5	20101041	----	针板垫块	Bracket	1	1	0
6	20112065	----	线辫导向片	Guide plate	1	1	0
7	20101040	----	小刀架	Small knife support	1	1	0
8	20119004	----	割线刀	Thread cutting knife	1	1	0
9	201S11003	----	螺钉	Screw	2	2	0
10	201S30019	----	螺钉	Screw	1	1	0
11	201S11038	----	螺钉	Screw	1	1	0
12	20112067	----	托线板	holding plate	1	1	0
13	20112066	----	调压簧	Spring	1	1	0
14	201S11005	----	螺钉	Screw	3	3	0
15	20112068	----	止动簧	Spring	1	1	0
16	201S11002	----	螺钉	Screw	2	2	0
17	20116004	----	压脚	Presser foot form	1	0	0
	20116005	----	压脚	Presser foot form	0	1	0
18	2011402100	----	送料组件	Feed form	1	1	0
19	201S30018	----	接头螺钉	Connecting screw	2	2	0
20	20103029	----	钢丝接套	Collar	1	1	0
21	20112059	----	天线	Sleeve	1	1	0
22	20112058	----	支架	Bracket	1	1	0
23	201S14002	----	螺钉	Screw	1	1	0
24	201S11016	----	螺钉	Screw	2	2	0
25	20112061	----	松线推板	Thread tension plate	1	1	0
26	201S16003	----	螺母	Nut	1	1	0
27	20112059	----	天线	Sleeve	1	1	0
28	20112060	----	过线板	Thread guide plate	1	1	0
29	20112062	----	前支架	Frong frame	1	1	0
30	20112063	----	松线杠杆	Thread tension releasing lever	1	1	0
31	201S20012	----	螺钉	Screw	1	1	0
32	20127021	----	松线扭簧	Spring	1	1	0
33	201S20013	----	扭簧固定螺钉	Screw	1	1	0
34	201S14003	----	螺钉	Screw	2	2	0
35	20101039	----	钢丝接头	Connector	1	1	0
36	201S20014	----	钢丝接头连接螺钉	Connector screw	1	1	0



二十一、768E 专用部件 768E Specific Parts

序号 NO.	公司件号 Part NO.	参考件 号 Ref. Par	名称	Description	数量 (Number)		
					三线	四线	五线
					three-thread	four-thread	five-thread
1	20111065	----	压脚臂安全开关	Presser Arm safety switch	1	1	1
2	20130003	----	操作面板组件	panel asm	1	1	1
3	2011106400	----	剪线开关感应器组件	trimmer switch sensor	1	1	1
4	20104022	----	切刀曲柄	knife crank	1	1	1
5	20112095	----	上罩安全开关支架	up safety switch Bracket	1	1	1
6	20112096	----	护指挡板	finger guard	1	1	1
7	20112099	----	操作面板支架	panel holder	1	1	1
8	2011900700	----	切线刀组件	knife asm	1	1	1
9	2063002000	----	剪线电磁铁组件	solenoid	1	1	1
10	20726021	----	销	pin	1	1	1
11	30130017	----	磁铁	magnet	2	2	2
12	20117022	----	护针档	needle guard	1	1	1
13	20109023	----	针板垫块	Bracket	1	1	1
14	20109024	----	针板垫块 (后)	Bracket	1	1	1
15	20115010	----	针板 (三线)	Needle Plate	1	0	0
15	20115025	----	针板	Needle Plate	0	1	0
15	20115011	----	针板 (五线)	Needle Plate	0	0	1
16	2011208700	----	缝台盖板组件	Needle Plate	1	1	1
17	2010102900	----	压脚架组件	Presser Foot holder Assy.	1	1	1
18	20101055	----	盖板	cover plate	1	1	1
19	201S11043	----	螺钉M4X4.5	screw M4X4.5	1	1	1
20	207S11015	----	螺钉M3X6	screw M3X6	2	2	2
21	207S11003	----	螺钉M4X10	screw M4X10	2	2	2
22	207S11026	----	螺钉M6X16	screw M6X16	1	1	1
23	207S13006	----	螺钉M4X9	screw M4X9	3	3	3
24	207S13008	----	螺钉M4X16	screw M4X16	1	1	1
25	207S14009	----	螺钉M3X3	screw M3X3	1	1	1
26	S02007	----	螺钉M3X5	screw M3X5	2	2	2
27	S05023	----	螺钉M6X10	screw M6X10	1	1	1
28	207S11007	----	螺钉M4X7.5	screwM4X7.5	6	6	6
29	201S11016	----	S032螺钉	S032 screw	1	1	1
30	201S11005	----	S012螺钉	S012 screw	1	1	1
31	201S11019	----	S039螺钉	S039 screw	2	2	2
32	201S11018	----	S037螺钉	S037 screw	2	2	2
33	20612026	----	垫片	Flat Spring	4	4	4
34	2011603500	----	压脚组件 (768E)	Presser Foot Assy.	0	1	0
34	2011603600	----	压脚组件 (768E)	Presser Foot Assy.	1	0	0
35	20130006	----	前接收器	front sensor	1	1	1
36	20130007	----	后接收器	back sensor	1	1	1
37	20130008	----	安全开关	safety switch	2	2	2
38	201S11009	----	螺钉	screw	1	1	1
39	20630008	----	转接盒	interconnecting device	1	1	1

768系列专用件									
机型 MACHINE TYPE	间距 GAUGE	针板 NEEDLE PLATE	牙齿组件 FEED FORM	压脚组件 PRESSER FOOT ASSM	上弯针 UPPER LOPPER	针夹 NEEDLE CLAMP	针杆曲柄 CRANK	下弯针摆动曲柄 LOWER LOOPER CRANK	机针 NEEDLE
768-3-504M1-15	0	20115006	2011401800	20116006	20117007	20134002	20104003	400223	DC27#11
768-3-504M2-04	0	20115001	2011401700	20116001	20117007	20134002	20104003	400223	DC27#11
768-3-504M5-04/BK	0	20115004	2011402100	20116004	20117007	20134002	20104003	400223	DC27#11
(795-3-504M2-04/LFC-2)	0	20115001	2011401700	20116001	20117007	20134002	20104003	400223	DC27#11
(795-4-514M2-24/LFC-2)	2	20115002	2011401700	20116002	20117007	20134001	20104002	400223	DC27#11
768-4-514M5-23/BK	2	20115005	2011402100	20116005	20117007	20134001	20104002	400223	DC27#11
768-4-514M2-24	2	20115002	2011401700	20116002	20117007	20134001	20104002	400223	DC27#11
768-5-516M2-35	3	20115003	2011401900	20116003	20117007	20134003	20104002	20104010	DC27#14
768-5-516M2-55	5	20115008	2011401900	20116007	20117007	20134004	20104002	20104010	DC27#14
768-5-516X2-56	5	20115007	2011402000	20516015	20117007	20134004	20104002	20104010	DC27#19

产品标准代号: QB/T1515-2005  
Standard code of the products: QB/T1515-2005



## 浙江新杰克缝纫机股份有限公司

ZHEJIANG NEW JACK SEWING MACHINE CO.,LTD.

- 公司地址(Address of Company):  
台州市椒江区机场南路15号  
No. 15 Rd Airport South, Jiaojiang District Taizhou City, Zhejiang, P.R.C
- 国内销售部(Domestic Trade Department):  
电话(TEL): 0086-576-88177788 88177789  
传真(FAX): 0086-576-88177758
- 国贸部(International Trade Department):  
电话(TEL): 0086-576-88177782 88177774  
传真(FAX): 0086-576-88177787
- 零件部(Spare Part Department):  
电话(TEL): 0086-576-88177798 88177785  
传真(FAX): 0086-576-88177775
- 免费售后服务电话(Aftersale Service TEL): 4008876858  
<http://www.chinajack.com>
- 资料如有更改, 恕不另行通知, 以实样为准。  
You will be not informed if the file has been revised. Please set sample as standard.
- 2013. 9