

MODEL : LU-2828V-7

List No : 1710-00

PARTS LIST

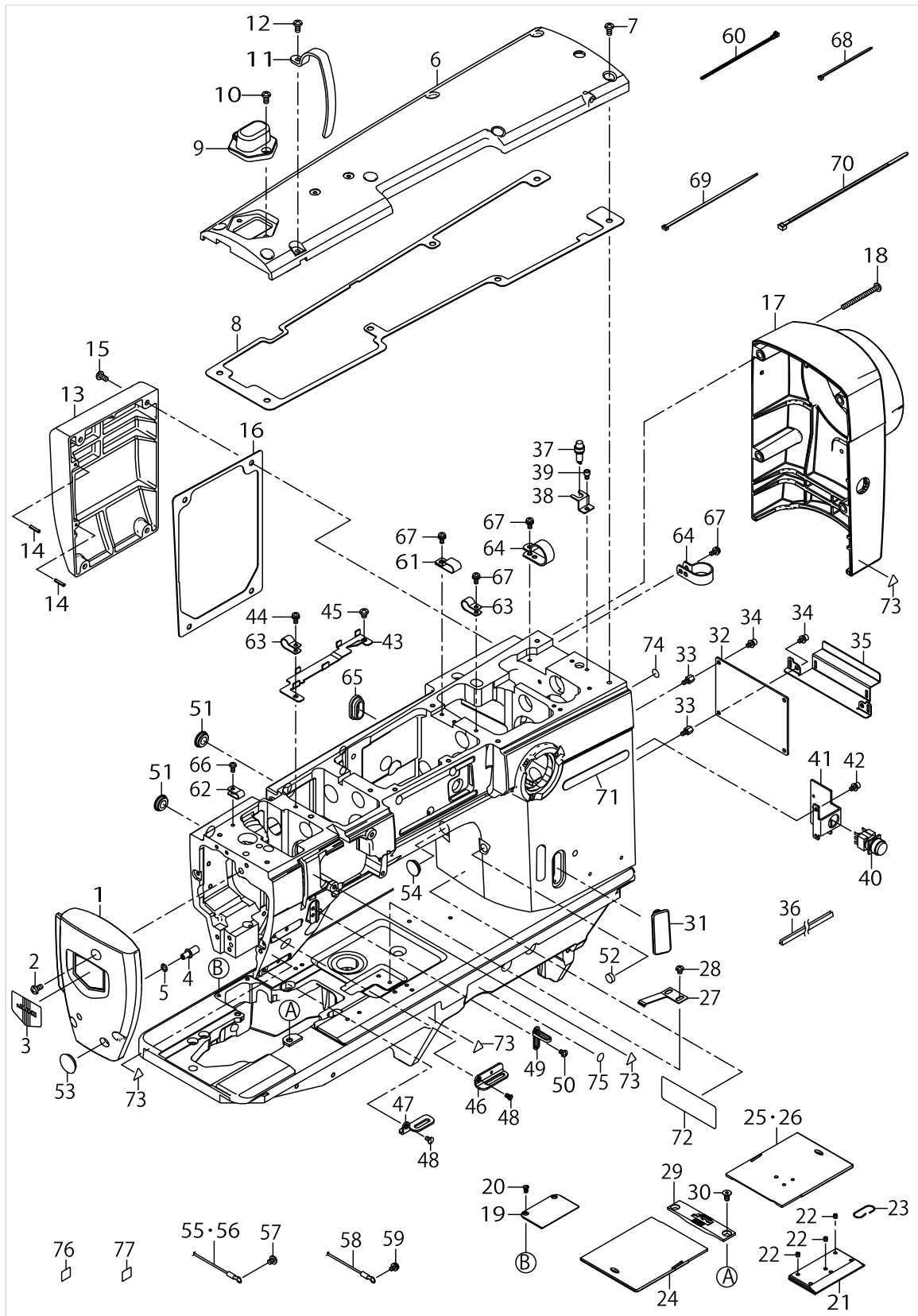
Published:10/31/2017

CONTENTS

FRAME & MISCELLANEOUS COVER COMPONENTS	1
MAIN SHAFT & THREAD TAKE-UP LEVER COMPONENTS	5
NEEDLE BAR COMPONENTS	7
LOWER SHAFT COMPONENTS.....	9
OPENNER COMPONENTS	13
HOOK COMPONENTS.....	15
UPPER FEED COMPONENTS.....	17
AUTO LIFTER COMPONENTS	23
LOWER FEED COMPONENTS	25
FEED ADJUST COMPONENTS.....	31
SWITCH UNIT COMPONENTS.....	33
OPERATION PANEL COMPONENTS	35
THREAD CUTTING COMPONENTS.....	37
THREAD TENSION COMPONENTS	41
NEEDLE THREAD CLAMP COMPONENTS	43
BOBBIN WINDER COMPONENTS.....	45
LUBRICATION COMPONENTS	47
THREAD STAND COMPONENTS.....	51
BOTTOM COVER COMPONENTS.....	53
SMART DEVICE COMPONENTS(1).....	55
SMART DEVICE COMPONENTS (2).....	59
ACCESSORIES PARTS COMPONENTS	63
HOW TO MAKE USE OF THIS PARTS LIST	65

1710-00_24

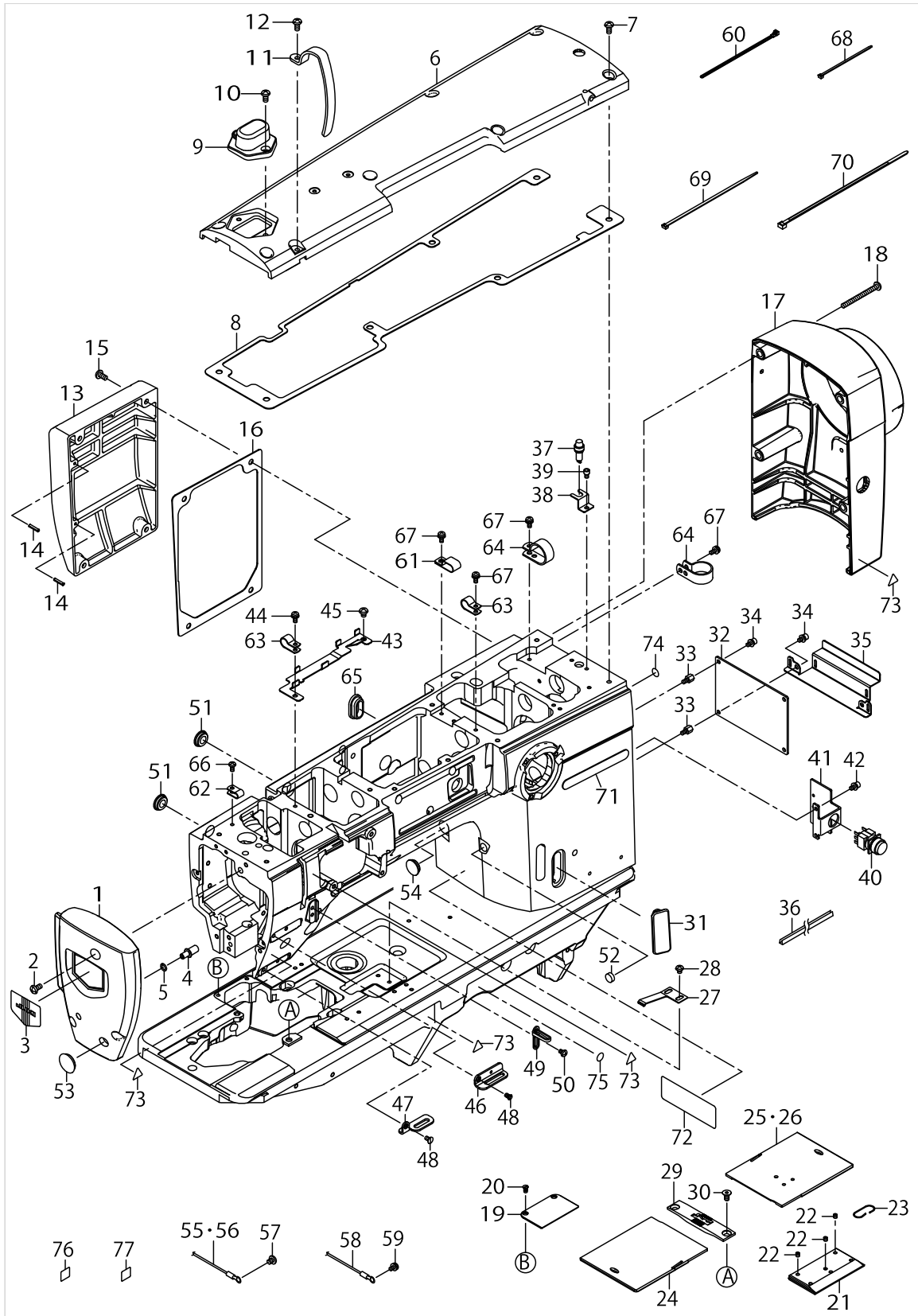
FRAME & MISCELLANEOUS COVER COMPONENTS



FRAME & MISCELLANEOUS COVER COMPONENTS

No.	Parts No.	Parts name	Remarks	Level	Cons	Qty
1	40192972	FACE_PLATE				1
2	SM4051055SP	SCREW				3
3	40172374	FACE_COVER_PLATE				1
4	40192342	PUSH_BUTTON				1
5	RO060150100	O-RING				1
6	40192973	TOP_COVER				1
7	SM4051055SP	SCREW				7
8	40191756	TOP_COVER_PACKING				1
9	40191650	PRESSER_SPRING_COVER				1
10	SM4051055SP	SCREW				2
11	40192404	THREAD_TAKE_UP_LEVER_COVER				1
12	SM4051055SP	SCREW				1
13	40192974	APERRTURE_COVER				1
14	PS0300142KH	SPRING PIN 3X14				2
15	SM4051055SP	SCREW				4
16	40192341	APERTURE_COVER_PACKING				1
17	40192975	MOTOR_COVER				1
18	SM4055501SC	SCREW M5X0.8 L=55				4
19	40131625	AUXILIARY_COVER				1
20	SM1040750TP	SCREW M4 L=7				2
21	40147918	SLIDE_PLATE_FRONT				1
22	SM8040412TP	SCREW M4X4				3
23	B111105100B	SPRING				1
24	40127056	SLIDE_PLATE_2860R				1
25	40147944	SLIDE_PLATE_2810R	FOR STANDARD			1
26	40162128	SLIDE_PLATE_METOBI_2828_TRIM	FOR SMART DEVICE			1
27	B1111563000	BED SLIDE SPRING				1
28	SM4040655SP	SCREW M4 L=6				2
29	40190399	THROAT_PLATE_2828A				1
30	SM1051052TN	PLATE SCREW M5 L=10				2
31	40191846	REVERSE_FEED_LEVER_CAP_A				1
32	40186360	INT PCB ASSY				1
33	HX00339000E	SPACER				4
34	SL6040892TN	SCREW M4 L=8				4
35	40192502	INT_PCB_COVER				1
36	HX000960000	EDGING				0.062
37	40192443	POWER LAMP ASSY				1
38	40192402	LED_BRACKET				1
39	SM6040602TP	SCREW M4X0.7 L=6				1
40	40192444	STANDBY SWITCH ASSY				1
41	40192403	AMP_BRACKET				1
42	SL6040892TN	SCREW M4 L=8				2
43	40191289	GUIDE_PLATE				1
44	SL4041091SC	SCREW M4 L=10				1
45	SM4050655SP	SCREW M5 L=6				1
46	40169689	THREAD_GUIDE_A				1
47	40169642	THREAD_GUIDE_B				1

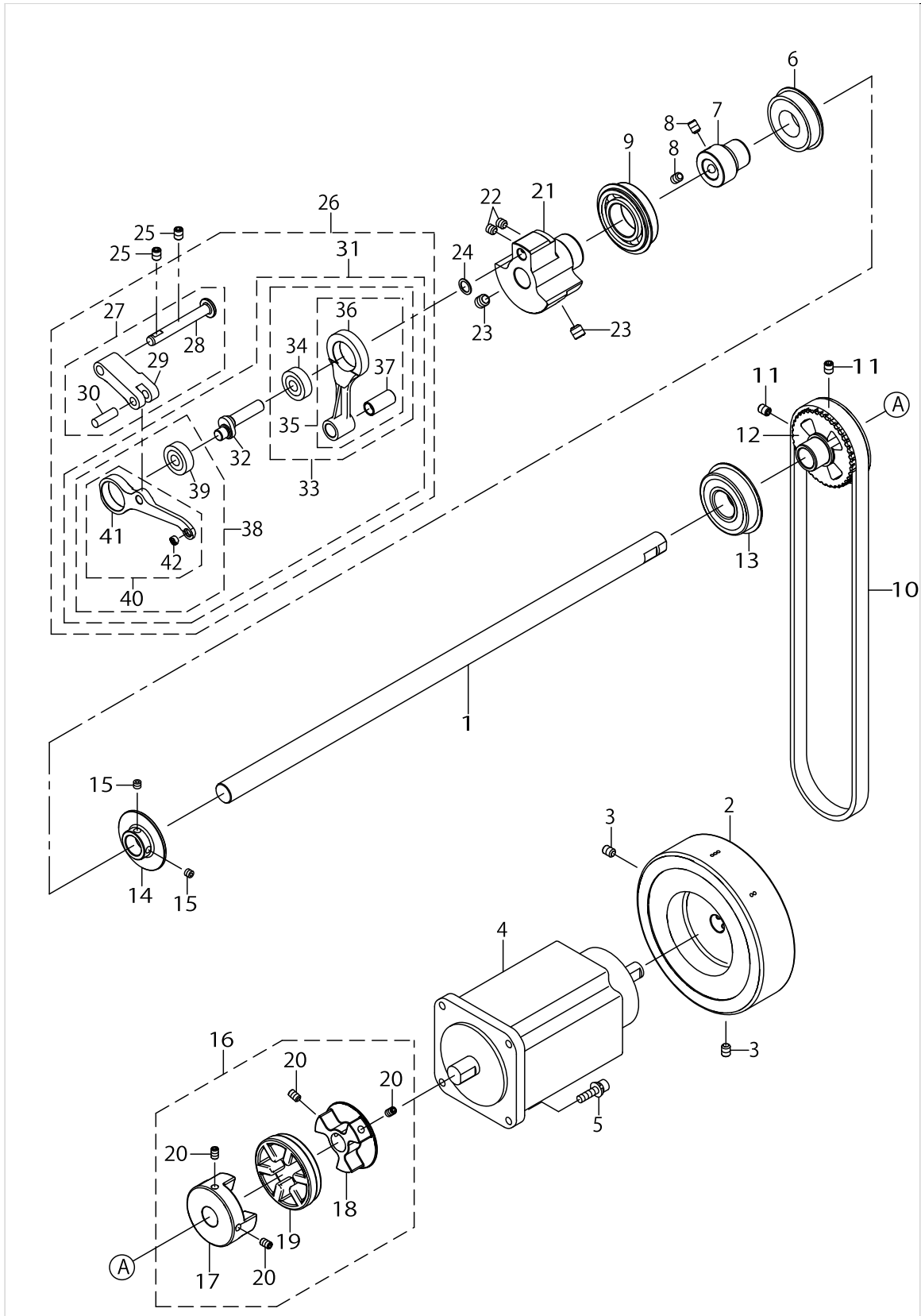
FRAME & MISCELLANEOUS COVER COMPONENTS



FRAME & MISCELLANEOUS COVER COMPONENTS

No.	Parts No.	Parts name	Remarks	Level	Cons	Qty
48	SM1040750TP	SCREW M4 L=7				2
49	40126221	THREAD_GUIDE				1
50	SM4040655SP	SCREW M4 L=6				1
51	TA1650406R0	PRUG				2
52	TA1030402R0	RUBBER PLUG D=10.3 L=4				1
53	TA1250406R0	RUBBER PLUG D=12.5 L=4				1
54	TA1650406R0	PRUG				1
55	40174385	GROUND WIRE ASM.	FOR STANDARD			1
56	40192464	GROUND WIRE T ASM.	FOR JE			1
57	SM4050655SP	SCREW M5 L=6				1
58	40192579	EARTH CORD ASSY	FOR JE			1
59	SL4040881SC	SCREW M4 L=8	FOR JE			1
60	HX00292000A	CABLE BAND				2
61	D2112555B00	CORD HOLDER				1
62	HX00150000A	CABLE CLAMP				1
63	HX00150000D	CABLE CLAMP				2
64	HX00150000M	CABLE CLAMP				2
65	40028877	FACE_COVER_CAP				1
66	SM4040855SP	SCREW				1
67	SL4041091SC	SCREW M4 L=10				4
68	EA9500B0000	CABLE BAND				7
69	EA9500B0200	CABLE BAND				4
70	HX00065000C	CABLE BAND				1
71	40172375	EMBLEM_JUKI_SMART_SOLUTIONS				1
72	40102261	SAFETY_LABEL_S				1
73	CM300200001	FINGER INJURY CAUTION LABEL (16)				4
74	22901805	GROUND MARK				1
75	22901805	GROUND MARK	FOR JE			1
76	CM600100101	WEEE MARK LABEL S	FOR JE			1
77	40150131	EAC_MARK_LABEL_S	FOR JE			1

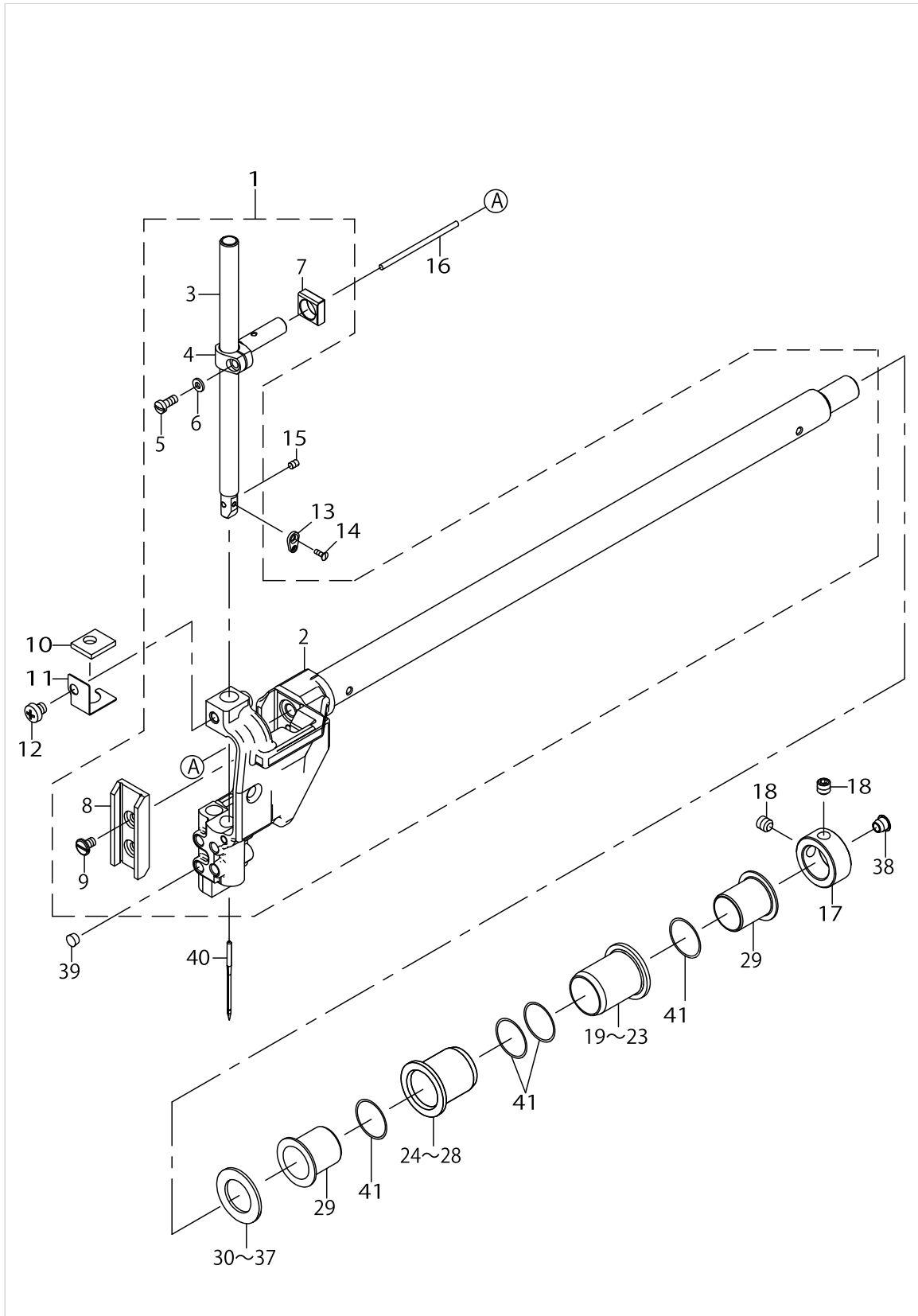
MAIN SHAFT & THREAD TAKE-UP LEVER COMPONENTS



MAIN SHAFT & THREAD TAKE-UP LEVER COMPONENTS

No.	Parts No.	Parts name	Remarks	Level	Cons	Qty
1	40112087	MAIN_SHAFT_DD				1
2	40192347	HAND_WHEEL				1
3	SM80608A2TP	SCREW M6 L=8				2
4	40169647	SERVO_MOTOR_800W				1
5	SL6052092TN	SCREW M5 L=20				4
6	SB120001800	BEARING				1
7	40192409	MAIN_SHAFT_BEARING_SUPPORT				1
8	SM80608A2TP	SCREW M6 L=8				2
9	40143083	BEARING				1
10	40112274	TIMING_BELT			☆	1
11	SM80608A2TP	SCREW M6 L=8				2
12	40126321	SPROCKET_UPPER				1
13	40143088	BEARING				1
14	40192390	BTW_DRIVING_WHEEL				1
15	SM8050412TP	SCREW M5 L=4				2
16	40112312	COUPLING_ASSY				1
17	40130277	HUB_L		*		1
18	40112106	HUB_R		*		1
19	40125950	SPIDER		*		1
20	SM8050812TP	SCREW M5X8		*		4
21	40112091	COUNTER_WEIGHT				1
22	SM8060612TP	SCREW M6 L=6				2
23	SM8080812TP	SCREW M8X8				2
24	WP0820516SP	WASHER 11.6X8.2X0.6				1
25	SM8060812TP	SCREW M6 L=8				2
26	40182477	THREAD_TAKE_UP_COMP_L				1
27	40143077	TAKE_UP_CRANK_ASM		*		1
28	40011902	THREAD_TAKE_UP_CRANK_SHAFT		*		1
29	40125930	TAKE_UP_LEVER_CRANK		*		1
30	10721504	FEED ADJUSTING PIN		*		1
31	40182476	THREAD_TAKE_UP_ASM_L_B		*		1
32	40112092	NEEDLE_BAR_CRANK		*		1
33	40182475	NEEDLE_BAR_CRANK_ROD_COMP		*		1
34	SB108002400	BEARING		*		1
35	40182474	NEEDLE_BAR_CRANK_ROD_ASM		*		1
36	40181687	NEEDLE_BAR_CRANK_ROD		*		1
37	40112094	CRANK_ROD_BUSH		*		1
38	40160242	THREAD_TAKE_UP_ASM_L_A		*		1
39	SB108002400	BEARING		*		1
40	40134545	THREAD_TAKE_UP_ASM		*		1
41	40134532	THREAD_TAKE_UP		*		1
42	10546901	BUSH		*		1

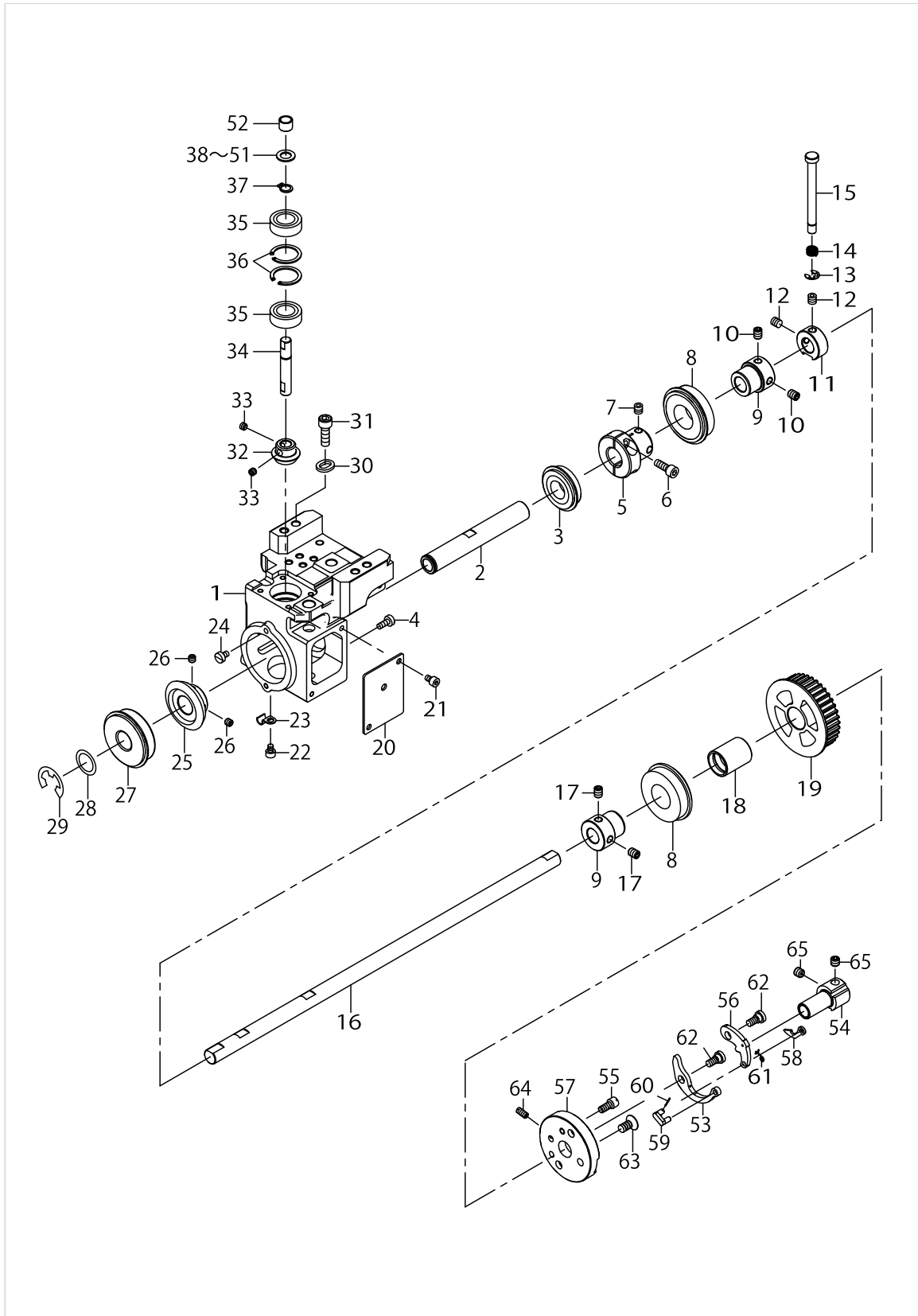
NEEDLE BAR COMPONENTS



NEEDLE BAR COMPONENTS

No.	Parts No.	Parts name	Remarks	Level	Cons	Qty
1	40169656	N_B_ROCKING_BASE_ASM_2800ES				1
2	40169659	N_B_ROCKING_BASE_ASM_ES		*		1
3	40169657	NEEDLE_BAR_2800ES		*		1
4	40169658	NEEDLE BAR CONNECTION		*		1
5	SS7090910TP	SCREW 9/64-40 L=8.5		*		1
6	WP0371036SD	WASHER 3.7X6X1		*		1
7	40112152	NEEDLE_ROD_SQUARE_BLOCK		*		1
8	40127041	NEEDLE_BAR_GUIDE		*		1
9	SM6040650TP	SCREW		*		2
10	40112272	NEEDLE_BAR_FELT_E				1
11	40112270	FELT HOLDER				1
12	SM4050501SC	SCREW M5X0.8 L=5				1
13	40143221	NEEDLE_BAR_THREAD_GUIDE_2810A				1
14	SS2060310SP	SCREW 3/32-56 L=3				1
15	SS8080410TP	SCREW 1/8-44 L=3.5				1
16	CQ252000000	COTTON OIL WICK D=2.5				0.05
17	CS1701181TP	THRUST COLLAR D=17 W=11				1
18	SM8060612TP	SCREW M6 L=6				2
19	40171403	NEE_BAR_ROCKING_SHAFT_B_BUSHING	SELECTIVE PARTS			1
20	40169649	NEE_BAR_ROCKING_SHAFT_B_BUSHING	SELECTIVE PARTS			1
21	40169650	NEE_BAR_ROCKING_SHAFT_B_BUSHING	SELECTIVE PARTS			1
22	40174557	NEE_BAR_ROCKING_SHAFT_B_BUSHING	SELECTIVE PARTS			1
23	40174558	NEE_BAR_ROCKING_SHAFT_B_BUSHING	SELECTIVE PARTS			1
24	40169652	NEE_BAR_ROCKING_SHAFT_F_BUSHING	SELECTIVE PARTS			1
25	40169653	NEE_BAR_ROCKING_SHAFT_F_BUSHING	SELECTIVE PARTS			1
26	40169654	NEE_BAR_ROCKING_SHAFT_F_BUSHING	SELECTIVE PARTS			1
27	40174559	NEE_BAR_ROCKING_SHAFT_F_BUSHING	SELECTIVE PARTS			1
28	40174560	NEE_BAR_ROCKING_SHAFT_F_BUSHING	SELECTIVE PARTS			1
29	40169651	ROCKING_SHAFT_PLASTIC_BUSHING				2
30	B1438512B00	WASHER 17.1X28X1.5	SELECTIVE PARTS			1
31	22606206	SPACER Y	SELECTIVE PARTS			1
32	22606305	SPACER Z	SELECTIVE PARTS			1
33	22607600	SPACER A	SELECTIVE PARTS			1
34	22607709	SPACER B	SELECTIVE PARTS			1
35	22607808	SPACER D	SELECTIVE PARTS			1
36	22607907	SPACER E	SELECTIVE PARTS			1
37	22606404	SPACER F	SELECTIVE PARTS			1
38	TA0620504R0	CAP				1
39	TA0500301R0	PLUG 5X5.8 L=3				4
40	MC321001400	NEEDLE 134-35 #140				1
41	40178188	O-RING				4

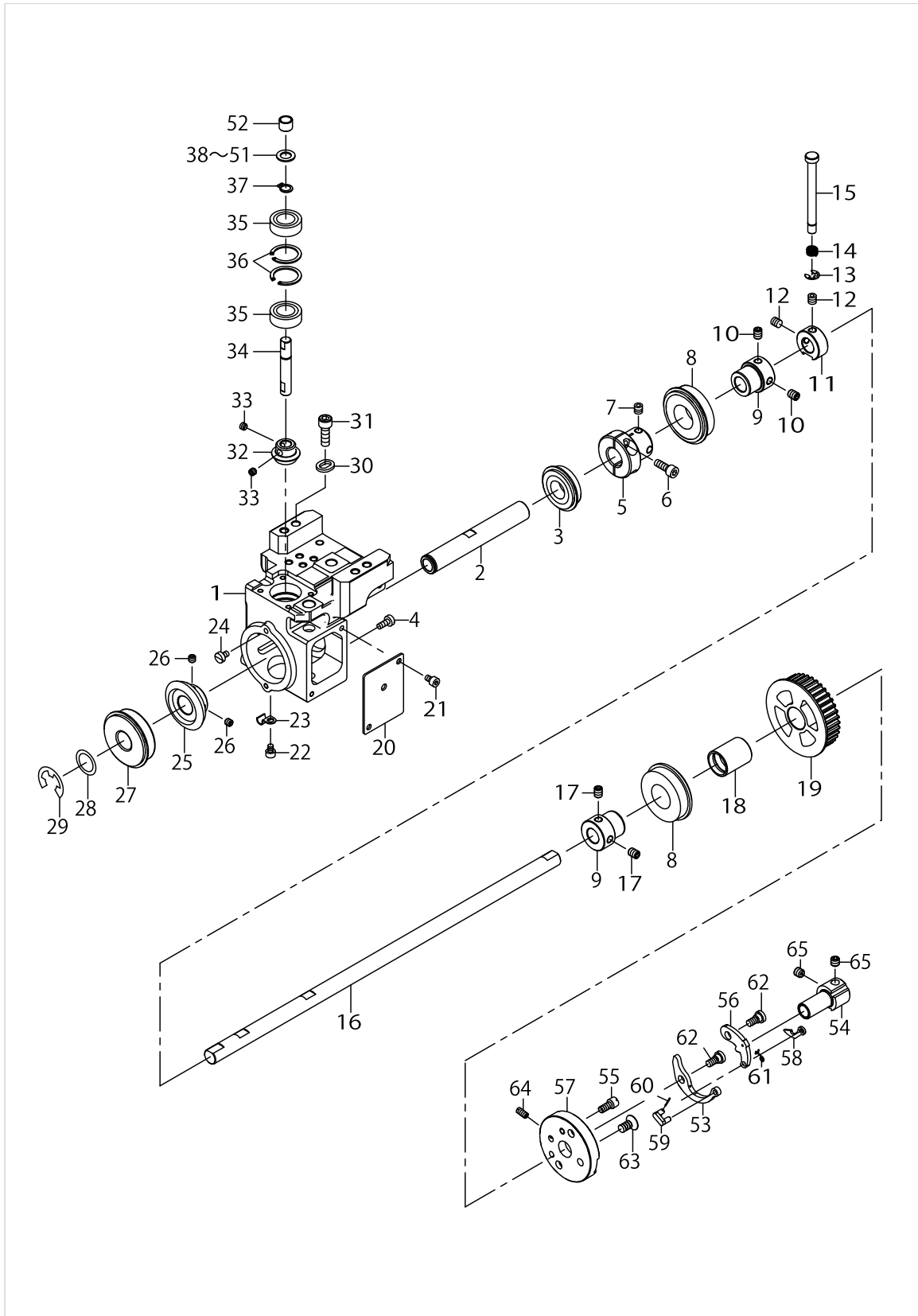
LOWER SHAFT COMPONENTS



LOWER SHAFT COMPONENTS

No.	Parts No.	Parts name	Remarks	Level	Cons	Qty
1	40189275	HOOK_SHAFT_BASE_RIGHT_TC_2828ES				1
2	40169662	LOWER_SHAFT_C				1
3	40143082	BEARING				1
4	SM6041050SN	SCREW M4 L=10				1
5	40169664	CONNECTING_COLLAR				1
6	SM6051202TP	SCREW M5X0.8 L=12				2
7	SM80606A2TP	SCREW M6 L=6				2
8	SB120001800	BEARING				2
9	40169668	BEARING_COLLAR				2
10	SM8060812TP	SCREW M6 L=8				2
11	40169673	SAFETY_CLUTCH_DISC				1
12	SM80606A2TP	SCREW M6 L=6				2
13	RE0500000K0	E-RING				1
14	B1639051000	SPRING				1
15	40112240	SAFETY_REVERSE_BUTTON				1
16	40169667	LOWER_SHAFT				1
17	SM80606A2TP	SCREW M6 L=6				2
18	40178330	SAFETY_BASE_BUSHING				1
19	40169671	LOWER_SHAFT_SPROCKET				1
20	40123340	HOOK_SHAFT_BASE_SIDE_PLATE				1
21	SM6040602TP	SCREW M4X0.7 L=6				2
22	SM6040502TP	SCREW M4X0.7 L=5				1
23	B3538112000	OIL_RETURN_TUBE HOLDER				1
24	SM6040650TP	SCREW				2
25	40126372	LOWER_SHAFT_GEAR				1
26	SM80506A2TP	SCREW M5 L=6				2
27	40143084	BEARING				1
28	D1231555B00	WASHER				1
29	RE1200000K0	E-RING 12				1
30	40139043	HOOK_SHAFT_BASE_WASHER_2810				2
31	SM6061802TP	SCREW M6 L=18				2
32	40169666	HOOK_SHAFT_GEAR				1
33	SM8050412TP	SCREW M5 L=4				2
34	40169665	HOOK_SHAFT				1
35	SB108000600	BEARING				2
36	RC2400002KP	C-RING 24 (25.9)				2
37	RC0740816K0	C-RING 8 (7.4)				1
38	B255728000A	WASHER FOR DRIVING ARM	SELECTIVE PARTS			1
39	B255728000B	WASHER	SELECTIVE PARTS			1
40	B255728000C	WASHER	SELECTIVE PARTS			1
41	B255728000D	WASHER D	SELECTIVE PARTS			1
42	B255728000E	WASHER	SELECTIVE PARTS			1
43	40138418	WASHER_T=1.3	SELECTIVE PARTS			1
44	40138419	WASHER_T=1.4	SELECTIVE PARTS			1
45	40138420	WASHER_T=1.5	SELECTIVE PARTS			1
46	40138421	WASHER_T=1.6	SELECTIVE PARTS			1
47	40138422	WASHER_T=1.7	SELECTIVE PARTS			1

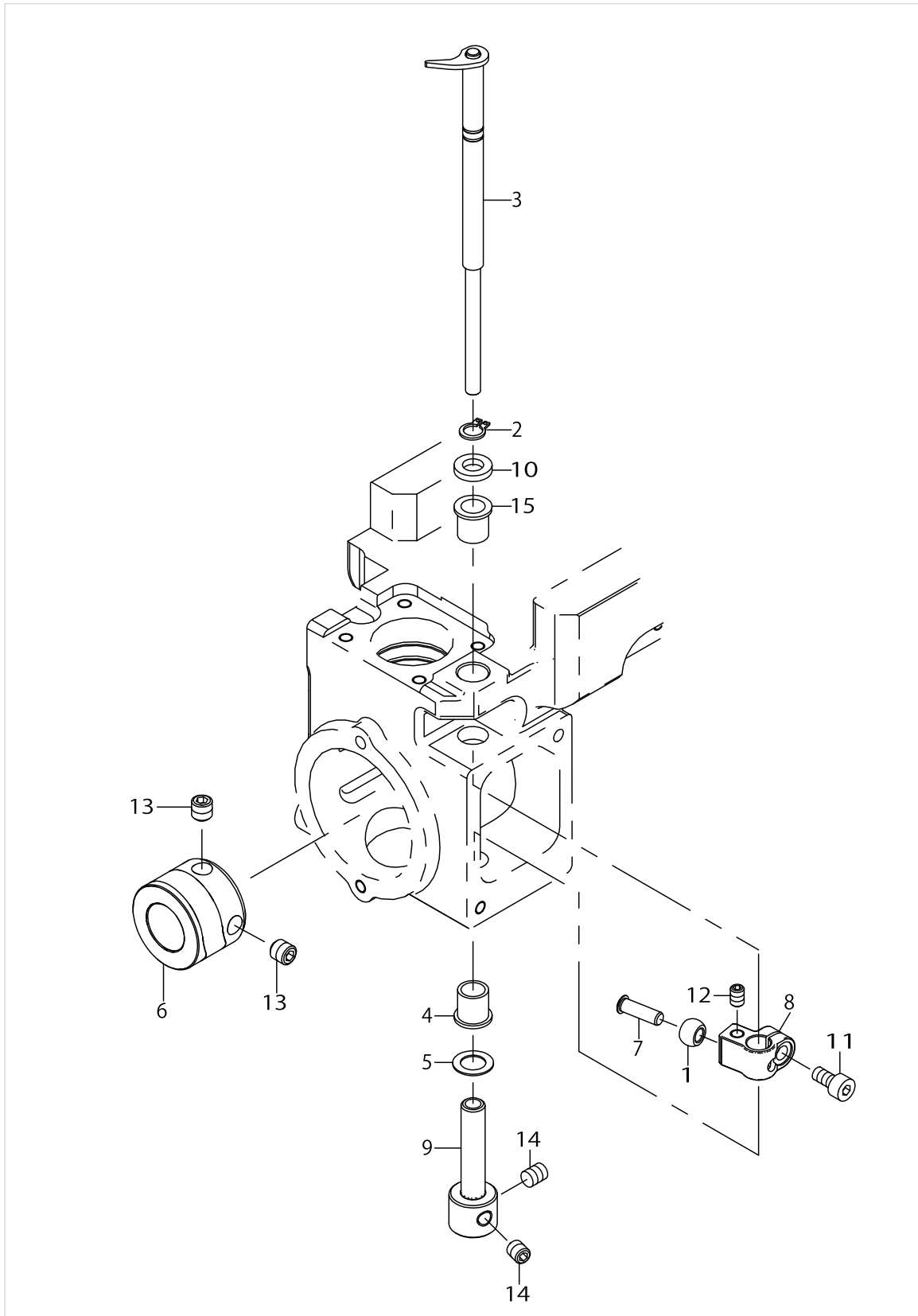
LOWER SHAFT COMPONENTS



LOWER SHAFT COMPONENTS

No.	Parts No.	Parts name	Remarks	Level	Cons	Qty
48	40138423	WASHER_T=1.8	SELECTIVE PARTS			1
49	40143185	WASHER_T=0.5	SELECTIVE PARTS			1
50	40143188	WASHER_T=0.6	SELECTIVE PARTS			1
51	40143581	WASHER_T=0.7	SELECTIVE PARTS			1
52	40126382	HOOK_SHAFT_COLLAR				1
53	21387709	SAFETY CLUTCH SPRING				1
54	40176783	SAFETY BASE				1
55	21387907	ADJUSTING PIN (1.2)				1
56	40169669	SAFETY_CLUTCH_HOOK				1
57	40169672	CLUTCH_BASE				1
58	40186642	SAFETY_CLUTCH_COUNTER_HOOK_ES				1
59	B1310055000	SAFETY CLUTCH SMALL LINK				1
60	B1314055000	SAFETY CLUTCH SMALL LINK PIN				1
61	40113224	COUNTER HOOK SPRING				1
62	SD0640322TP	SHOULDER SCREW D=6.35 H=3.2				2
63	SM1061201SN	SCREW M6 L=12				2
64	SS8111010TP	SCREW 11/64-40 L=9.5				1
65	SM80606A2TP	SCREW M6 L=6				2

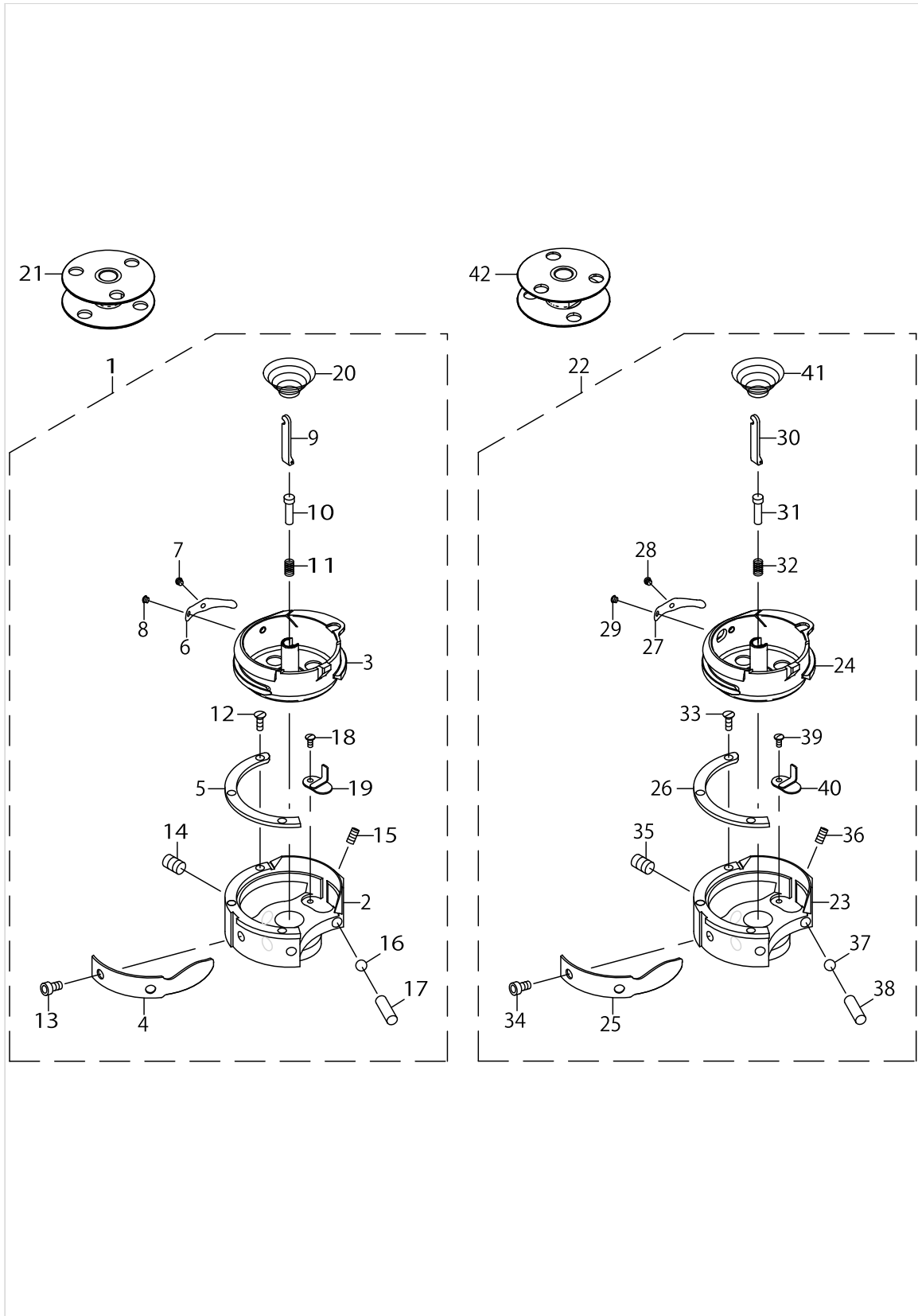
OPENNER COMPONENTS



OPENER COMPONENTS

No.	Parts No.	Parts name	Remarks	Level	Cons	Qty
1	40126351	OPENER_CAM_ROLLER				1
2	RC0560711KP	C-RING 6(5.6)				1
3	40147915	OPENER_ASM_XXL			☆	1
4	40135473	OPENER_METAL				1
5	WP0740516SP	WASHER_7.4X11.8X0.5				1
6	40126391	OPENER_CAM_R				1
7	40126360	OPENER_CAM_ROLLAR_SHAFT				1
8	40135475	OPENER_DRIVING_ARM				1
9	40135472	OPENER_SLEEVE				1
10	WP0612066SP	WASHER_6.1X11X2				1
11	SM6040802TP	SCREW_M4X0.7_L=8				1
12	SM8040612TP	SCREW_M4_L=6				1
13	SM8060612TP	SCREW_M6_L=6				2
14	SM8050612TP	SCREW_M5X6				2
15	40112252	OPENER_METAL				1

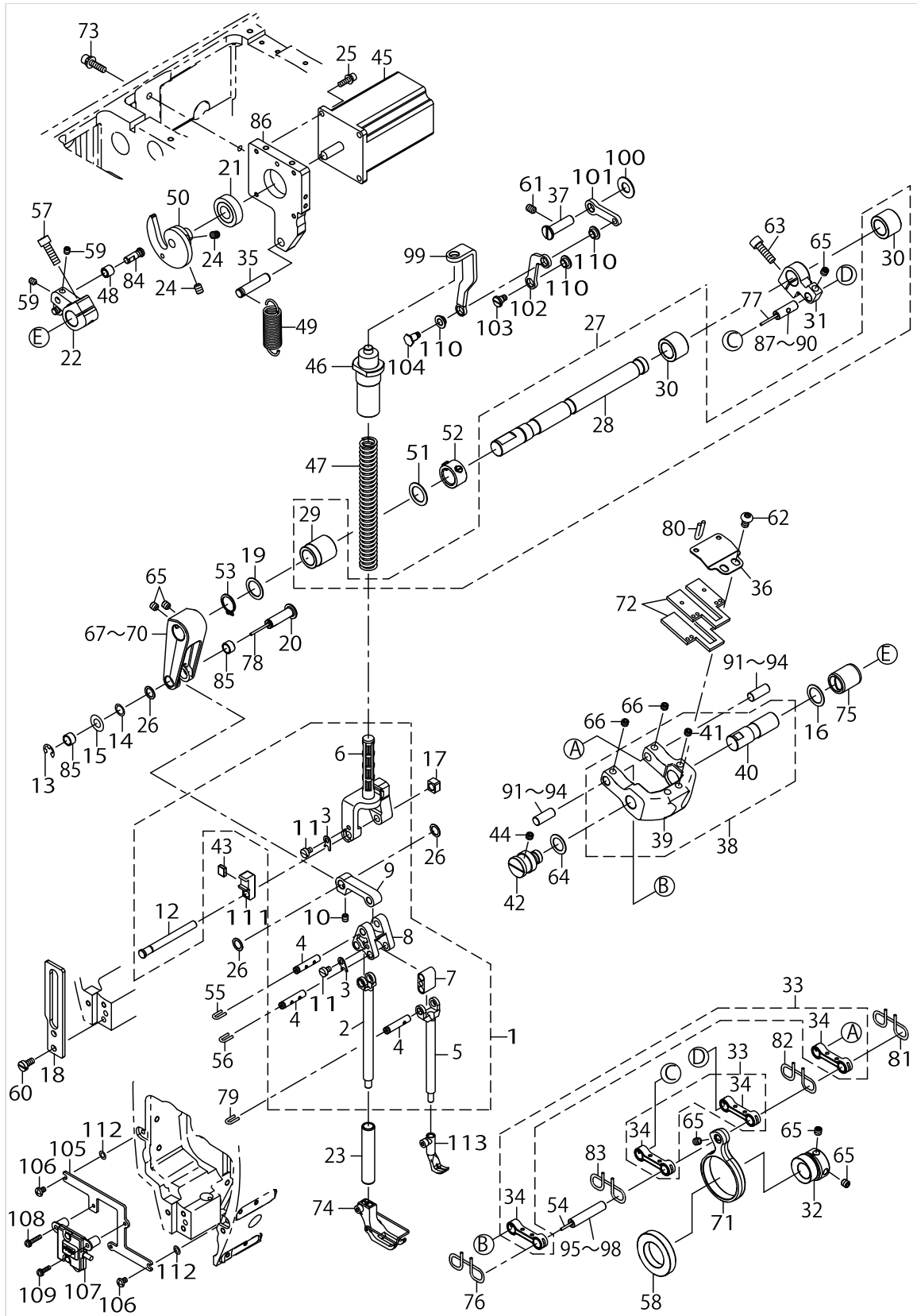
HOOK COMPONENTS



HOOK COMPONENTS

No.	Parts No.	Parts name	Remarks	Level	Cons	Qty
1	40147912	TRIM_HOOK_ASM_XXL_ST	FOR STANDARD			1
2	40149030	OUTER_HOOK		*		1
3	40149047	INNER_HOOK		*		1
4	40149032	NEEDLE HOLDER		*		1
5	40149033	INNER_HOOK_HOLDER		*		1
6	40184909	TENTION_SPRING		*		1
7	40079899	ADJUSTING_SCREW		*		1
8	40079900	TENTION_SPRING_SETSCREW		*		1
9	40149034	BOBBIN_PRESSER		*		1
10	40079902	PRESSER_LIFTER		*		1
11	40079903	PRESSER_LIFTER_SPRING		*		1
12	40149035	INNER_HOOK_HOLDER_SETSCREW		*		3
13	40149036	NEEDLE HOLDER_SETSCREW		*		2
14	40075542	OUTER_HOOK_SETSCREW		*		2
15	40079909	NEEDLE HOLDER_ADJUSTING_SCREW		*		1
16	40148037	BALL		*		1
17	40149037	SLIDE_PIN		*		1
18	40075547	OIL_COVER_SETSCREW		*		1
19	40075548	OIL_COVER		*		1
20	40079912	IDLING_PRIVENTION_SPRING		*		1
21	40147913	BOBBIN_XXL	FOR STANDARD			1
22	40195292	TRIM_HOOK_ASM_XXL_A	FOR SMART DEVICE			1
23	40149030	OUTER_HOOK		*		1
24	40166196	INNER_HOOK_ASM_28		*		1
25	40149032	NEEDLE HOLDER		*		1
26	40149033	INNER_HOOK_HOLDER		*		1
27	40184909	TENTION_SPRING		*		1
28	40079899	ADJUSTING_SCREW		*		1
29	40079900	TENTION_SPRING_SETSCREW		*		1
30	40149034	BOBBIN_PRESSER		*		1
31	40079902	PRESSER_LIFTER		*		1
32	40079903	PRESSER_LIFTER_SPRING		*		1
33	40149035	INNER_HOOK_HOLDER_SETSCREW		*		3
34	40149036	NEEDLE HOLDER_SETSCREW		*		2
35	40075542	OUTER_HOOK_SETSCREW		*		2
36	40079909	NEEDLE HOLDER_ADJUSTING_SCREW		*		1
37	40148037	BALL		*		1
38	40149037	SLIDE_PIN		*		1
39	40075547	OIL_COVER_SETSCREW		*		1
40	40075548	OIL_COVER		*		1
41	40079912	IDLING_PRIVENTION_SPRING		*		1
42	40166228	BOBBIN_XXL_A	FOR SMART DEVICE			1

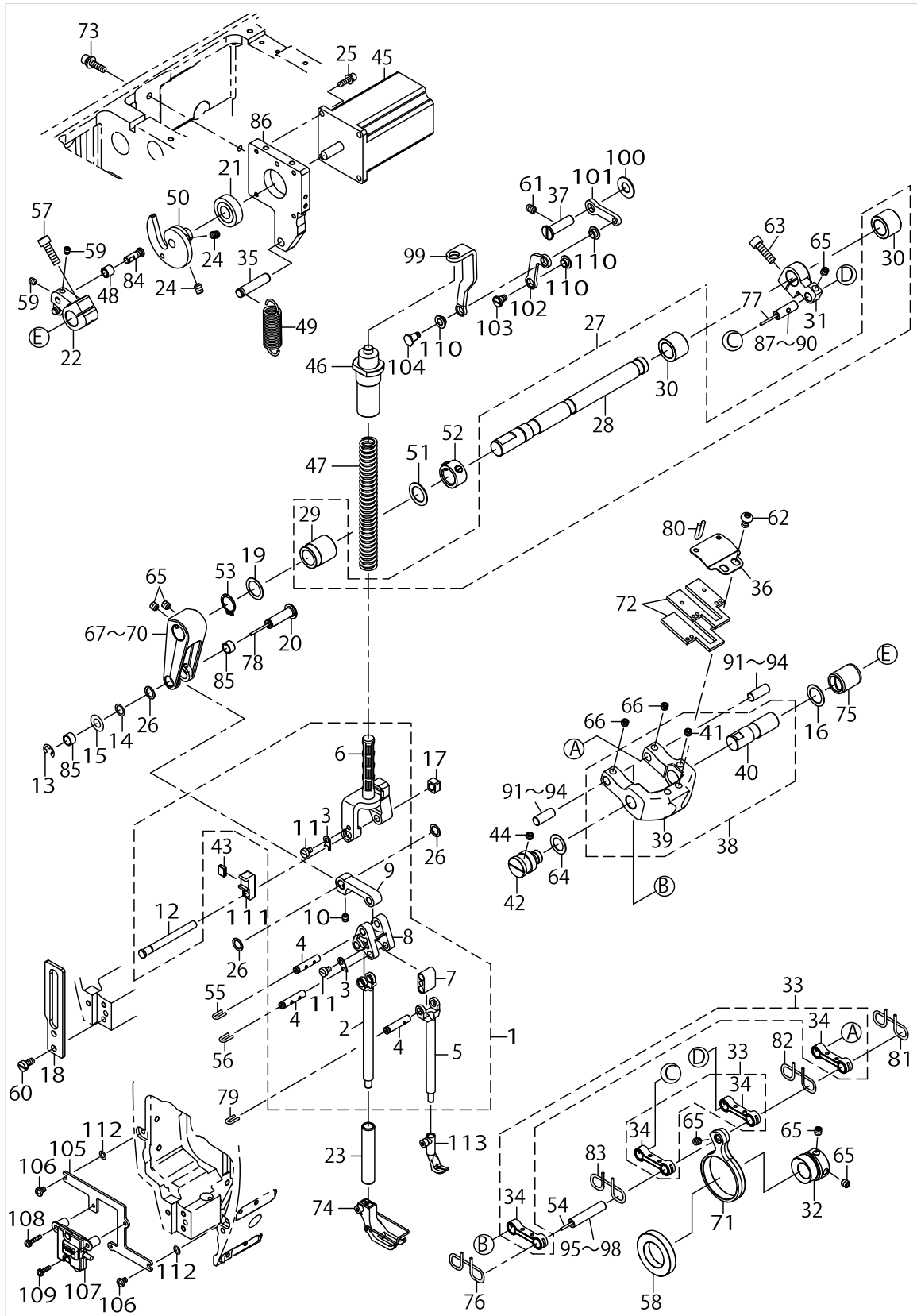
UPPER FEED COMPONENTS



UPPER FEED COMPONENTS

No.	Parts No.	Parts name	Remarks	Level	Cons	Qty
1	40193638	UPPER_FEED_F_ASM_E				1
2	40169678	PRESSURE_BAR_E		*		1
3	40178095	TRIANGLE_LEVER_SHAFT_STOPPER		*		2
4	40169675	CONNECTION_PIN		*		3
5	40169676	WALKING_BAR_E		*		1
6	40193637	SPRING_RECEIVING_E_ASM		*		1
7	40176628	WALKING BAR DRIVING LINK		*		1
8	40178171	TRIANGULAR_LEVER		*		1
9	40125854	UPPER_FEED_LINK_A		*		1
10	SM8050612TP	SCREW M5X6		*		1
11	SM6040660TP	SCREW M4 L=6		*		2
12	40194911	PRESSURE_BAR_GUIDE_SHAFT		*		1
13	RE0600000K0	E-RING 6				1
14	WP0820516SP	WASHER 11.6X8.2X0.6				1
15	B1223771000	NEEDLE ROD CRANK WASHER				1
16	40169681	UF_CHANGE_BASE_SHAFT_WASHER				1
17	40090058	SLIDE BLOCK				1
18	40192392	PRESSER_ROD_GUIDE				1
19	40195126	UF_SHAFT_PLASTIC_WASHER				1
20	40191752	UPPER_FEED_FRONT_ARM_PIN				1
21	SB112000200	BEARING				1
22	40193170	UF_CHANGE_BASE_ARM_ASM				1
23	40171574	PRESSER_BAR_BUSHING				1
24	SM80608A2TP	SCREW M6 L=8				2
25	SL6041492TN	SCREW				4
26	E2613700000	WASHER				3
27	40192387	UPPER_FEED_SHAFT_ASM				1
28	40191887	UPPER_FEED_SHAFT		*		1
29	40193039	UPPER_FEED_SHAFT_METAL_F		*		1
30	40123321	UPPER_FEED_SHAFT_METAL_R		*		2
31	40126160	UPPER_FEED_REAR_ARM				1
32	40126390	UPPER_FEED_CAM				1
33	40126338	CONNECTION_LINK_ASM				2
34	40126223	CONNECTION_LINK		*		2
35	40192386	SPRING_RACK				1
36	40191231	FELT_PRESSER				1
37	40192408	PRESSER_ARM_SHAFT				1
38	40193670	UPPER_FEED_CHANGE_BASE_ASM				1
39	40123414	UPPER_FEED_CHANGE_BASE		*		1
40	40192388	UF_CHANGE_BASE_SHAFT		*		1
41	SM80608A2TP	SCREW M6 L=8		*		1
42	40145547	UF_CHANGE_BASE_SUPPORT_PIN				1
43	40172415	MAGNET				1
44	SM80608A2TP	SCREW M6 L=8				1
45	40192450	DL MOTOR				1
46	40192348	PRESSER_SPRING_BUSH_ASM				1
47	40193633	PRESSER_SPRING_E			☆	1

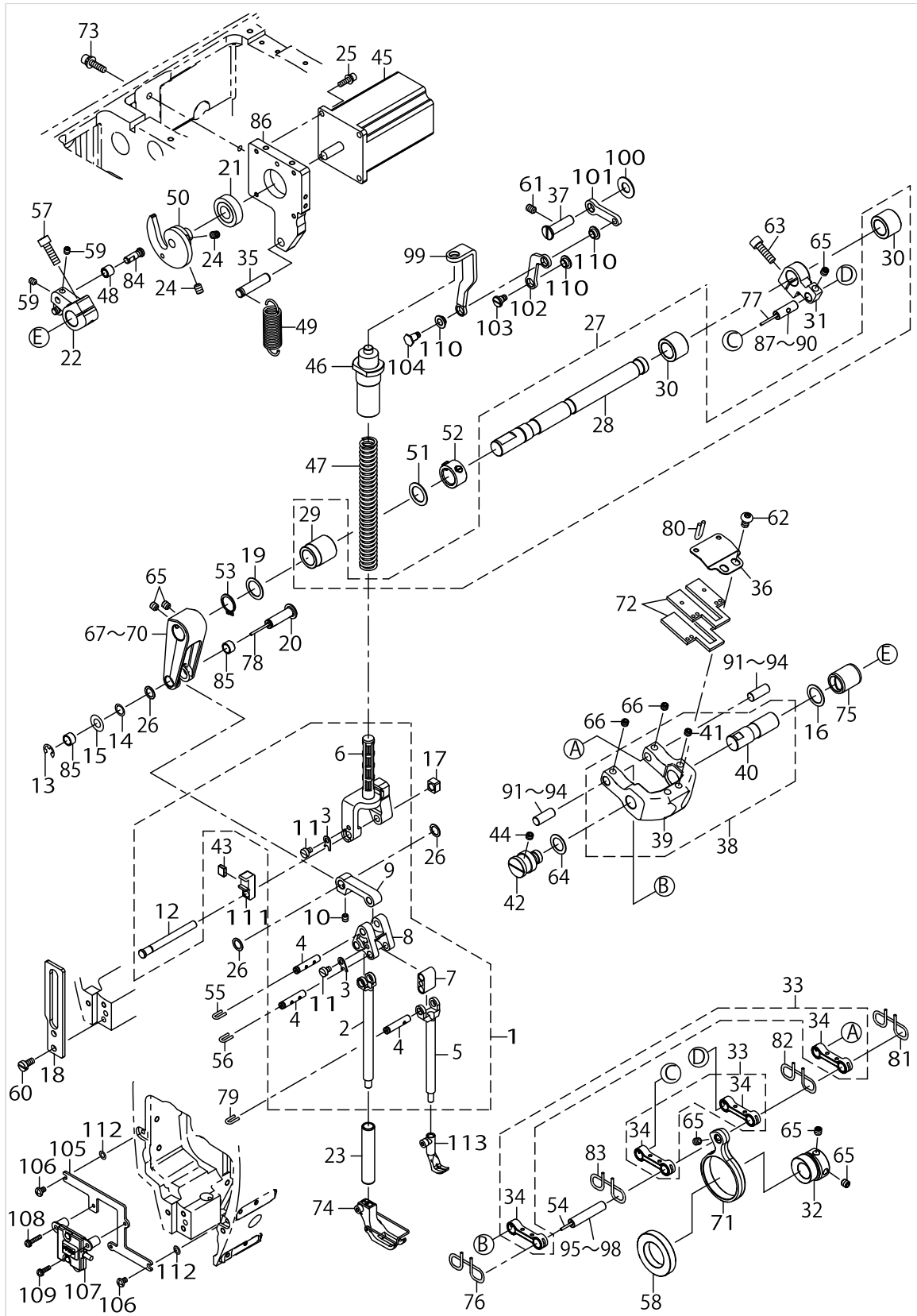
UPPER FEED COMPONENTS



UPPER FEED COMPONENTS

No.	Parts No.	Parts name	Remarks	Level	Cons	Qty
48	40100086	LOOPER CAM ROLLER B				1
49	40192354	SPRING				1
50	40192353	UF_CHANGE_BASE_CAM				1
51	40169682	UPPER_FEED_SHAFT_PLASTIC_WASHER				1
52	22904155	MAIN SHAFT THRUST COLLAR ASM.				1
53	RC0150001KP	C-RING 15(13.8)				1
54	CQ202000000	COTTON OIL WICK D=2				0.5
55	CQ252000000	COTTON OIL WICK D=2.5				0.21
56	CQ252000000	COTTON OIL WICK D=2.5				0.24
57	SM6062002TP	SCREW M6 L=20				1
58	SB125000600	BEARING				1
59	SM80506A2TP	SCREW M5 L=6				2
60	SM6051000SP	SCREW				2
61	SM80608A2TP	SCREW M6 L=8				1
62	SM3061052TP	SCREW M6 L=10				2
63	SM6062002TP	SCREW M6 L=20				1
64	40169687	WASHER				1
65	SM80606A2TP	SCREW M6 L=6				6
66	SM8060552TP	SCREW M6 L=5				2
67	40169683	UPPER_FEED_FRONT_ARM_A	SELECTIVE PARTS			1
68	40169684	UPPER_FEED_FRONT_ARM_B	SELECTIVE PARTS			1
69	40174550	UPPER_FEED_FRONT_ARM_C	SELECTIVE PARTS			1
70	40174551	UPPER_FEED_FRONT_ARM_D	SELECTIVE PARTS			1
71	40125876	UPPER_FEED_CAM_ROD				1
72	40123345	FELT				2
73	SL6052092TN	SCREW				2
74	10712552	PRESSER FOOT ASM.				1
75	40169686	FEED ROCKER SHAFT BUSHING				1
76	CQ202000000	COTTON OIL WICK D=2				0.25
77	CQ202000000	COTTON OIL WICK D=2				0.02
78	CQ202000000	COTTON OIL WICK D=2				0.02
79	CQ252000000	COTTON OIL WICK D=2.5				0.048
80	CQ202000000	COTTON OIL WICK D=2				0.1
81	CQ202000000	COTTON OIL WICK D=2				0.25
82	CQ202000000	COTTON OIL WICK D=2				0.25
83	CQ202000000	COTTON OIL WICK D=2				0.25
84	40192357	UF_CHANGE_CAM_ROLLER_PIN				1
85	40169685	UPPER_FEED_FRONT_ARM_PLASTIC_BUSH				2
86	40192352	UF_CHANGE_MOTOR_BASE				1
87	40149115	ROCKING_LINK_PIN_A	SELECTIVE PARTS			1
88	40149116	ROCKING_LINK_PIN_B	SELECTIVE PARTS			1
89	40149117	ROCKING_LINK_PIN_C	SELECTIVE PARTS			1
90	40149118	ROCKING_LINK_PIN_D	SELECTIVE PARTS			1
91	40149120	FEED_ADJUSTING_PIN_A	SELECTIVE PARTS			2
92	40149121	FEED_ADJUSTING_PIN_B	SELECTIVE PARTS			2
93	40149122	FEED_ADJUSTING_PIN_C	SELECTIVE PARTS			2
94	40149123	FEED_ADJUSTING_PIN_D	SELECTIVE PARTS			2

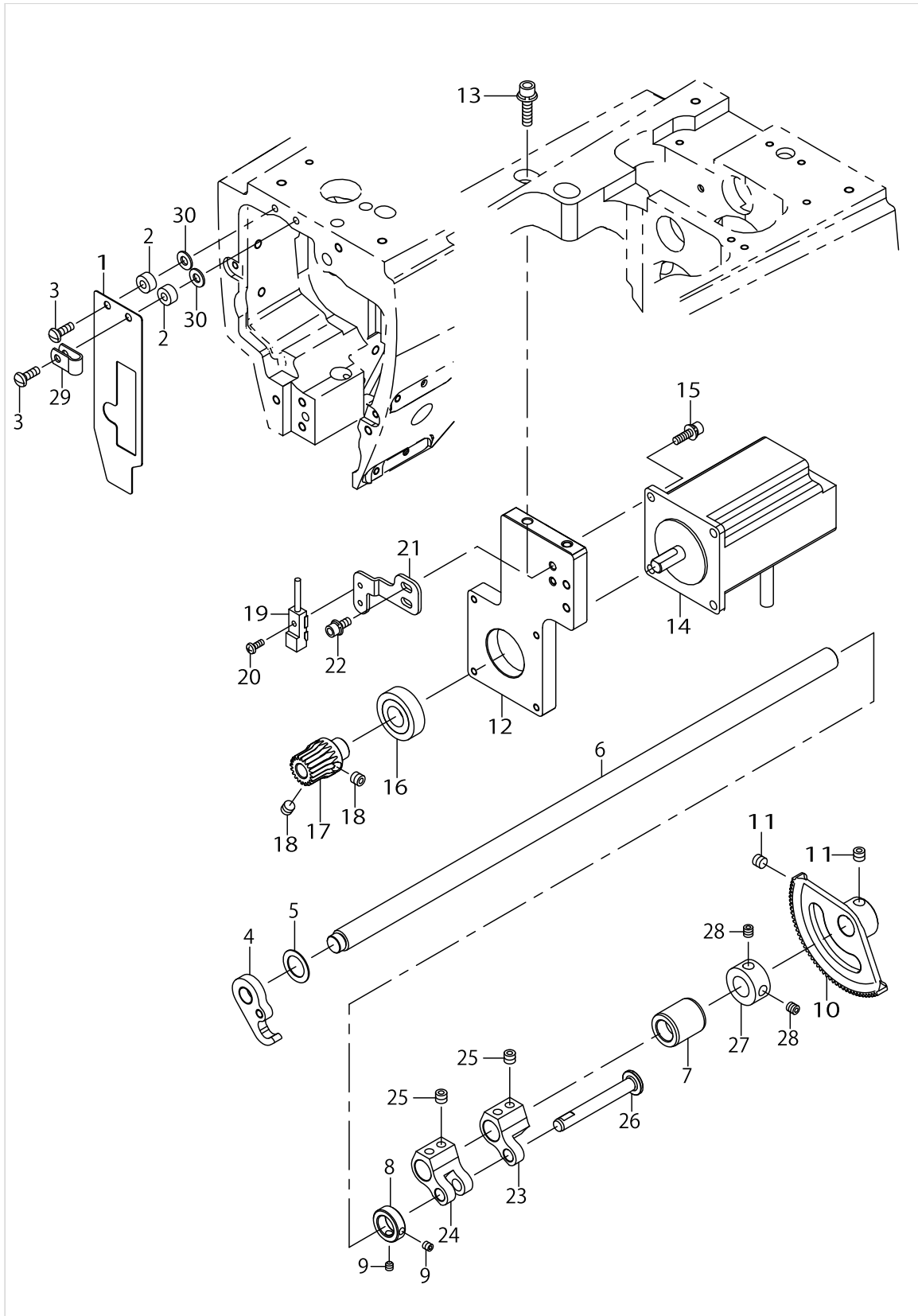
UPPER FEED COMPONENTS



UPPER FEED COMPONENTS

No.	Parts No.	Parts name	Remarks	Level	Cons	Qty
95	40149125	FEED_ROD_PIN_A	SELECTIVE PARTS			1
96	40149126	FEED_ROD_PIN_B	SELECTIVE PARTS			1
97	40149127	FEED_ROD_PIN_C	SELECTIVE PARTS			1
98	40149128	FEED_ROD_PIN_D	SELECTIVE PARTS			1
99	40193634	PRESSER_ADJUSTING_PLATE				1
100	B183924500B	THRUST PLATE				1
101	40192407	PRESSER_ARM				1
102	40192310	LINK				1
103	40192405	SHOULDER_SCREW				1
104	40192406	SHOULDER_SCREW				1
105	40192362	CLOTH_PRESSER_SENSOR_ASM_BASE				1
106	SM4040655SP	SCREW M4 L=6				2
107	40192446	CLOTH_PRESSER_SENSOR_ASM				1
108	SL4031691SC	SCREW M3 L=16				2
109	SL4031291SC	SCREW M3X12				1
110	40016878	CONECTING_LINK_BUSH_L				3
111	40192359	FEED_BASE_BLOCK				1
112	WP0450000SD	WASHER 4.5X8X0.5	SELECTIVE PARTS(0~2 PIECES)			2
113	10711653	FEED FOOT ASM.				1

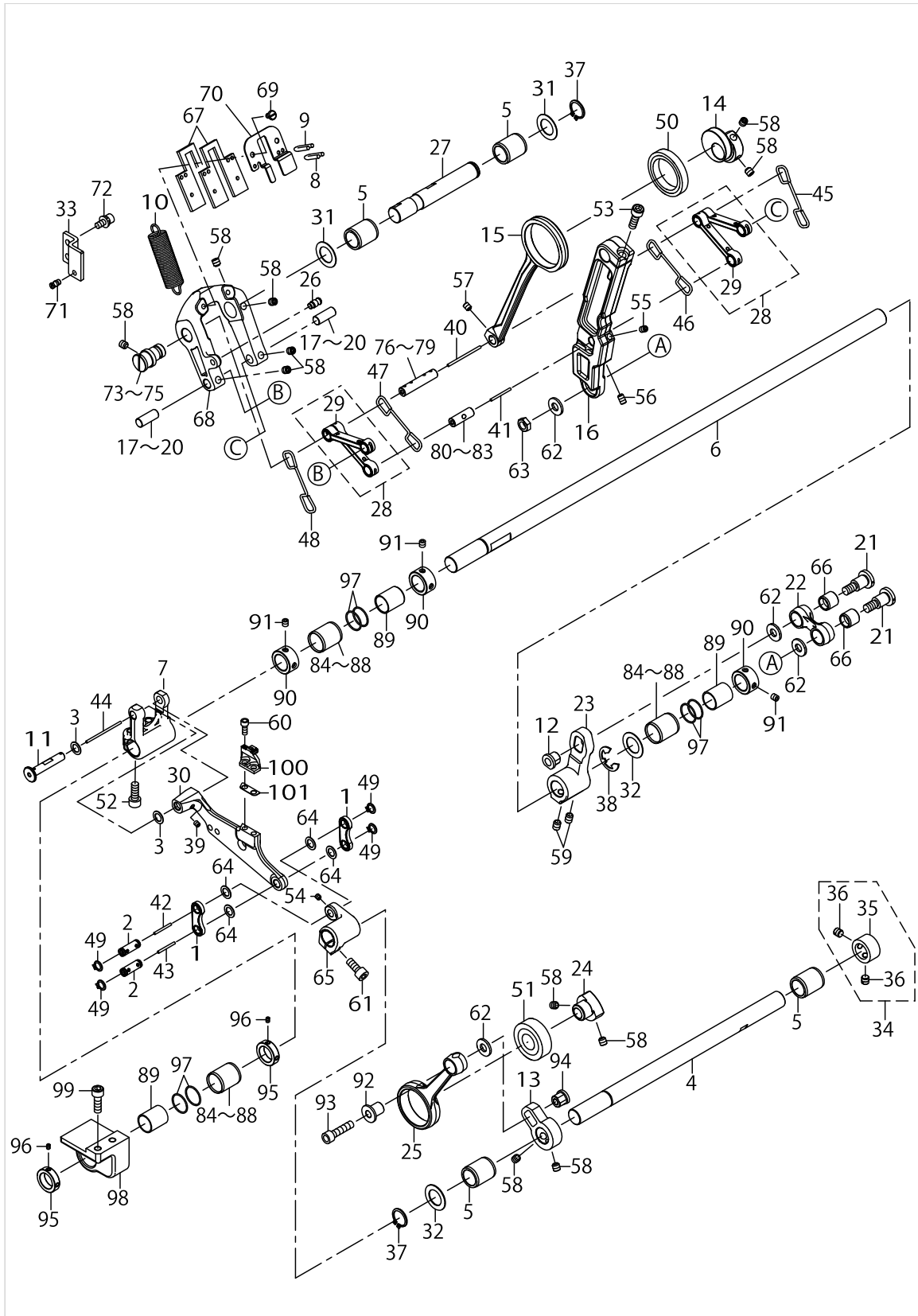
AUTO LIFTER COMPONENTS



AUTO LIFTER COMPONENTS

No.	Parts No.	Parts name	Remarks	Level	Cons	Qty
1	40191580	LIFTER_HOLDING_LEAF_SPRING				1
2	40141178	THREAD_GUIDE_COLLAR_A				2
3	SM4041255SP	SCREW M4 L=12				2
4	40193635	LIFTER_PLATE				1
5	40169687	WASHER				1
6	40192363	LIFTER_SHAFT				1
7	40192411	BUSHING_LEFT				1
8	13399209	COLLAR				1
9	SM8040412TP	SCREW M4X4				2
10	40192366	PRESSER_GEAR_LU				1
11	SM8060552TP	SCREW M6 L=5				2
12	40192364	PRESSER_MOTOR_BKT				1
13	SL6052092TN	SCREW M5 L=20				2
14	40192451	LIFTER MOTOR				1
15	SL6041492TN	SCREW M4 L=14				4
16	SB112000200	BEARING				1
17	40192365	MOTOR_GEAR				1
18	SM8060552TP	SCREW M6 L=5				2
19	40192445	LIFTER_SENSOR_ASM				1
20	SM5030801SC	SCREW M3X0.5 L=8				1
21	40196400	PRESSER_SENSOR_BRACKET				1
22	SL6041092TN	SCREW M4 L=10				2
23	40193937	MAIN_FEED_CRANK				1
24	13411509	MAIN_FEED_CRANK				1
25	SM8060552TP	SCREW M6 L=5				4
26	40011902	THREAD_TAKE_UP_CRANK_SHAFT				1
27	40010435	THRUST_COLLAR				1
28	SM8050412TP	SCREW M5 L=4				2
29	HX00150000A	CABLE_CLAMP				1
30	WP0501016SD	WASHER 5X10.5X1				2

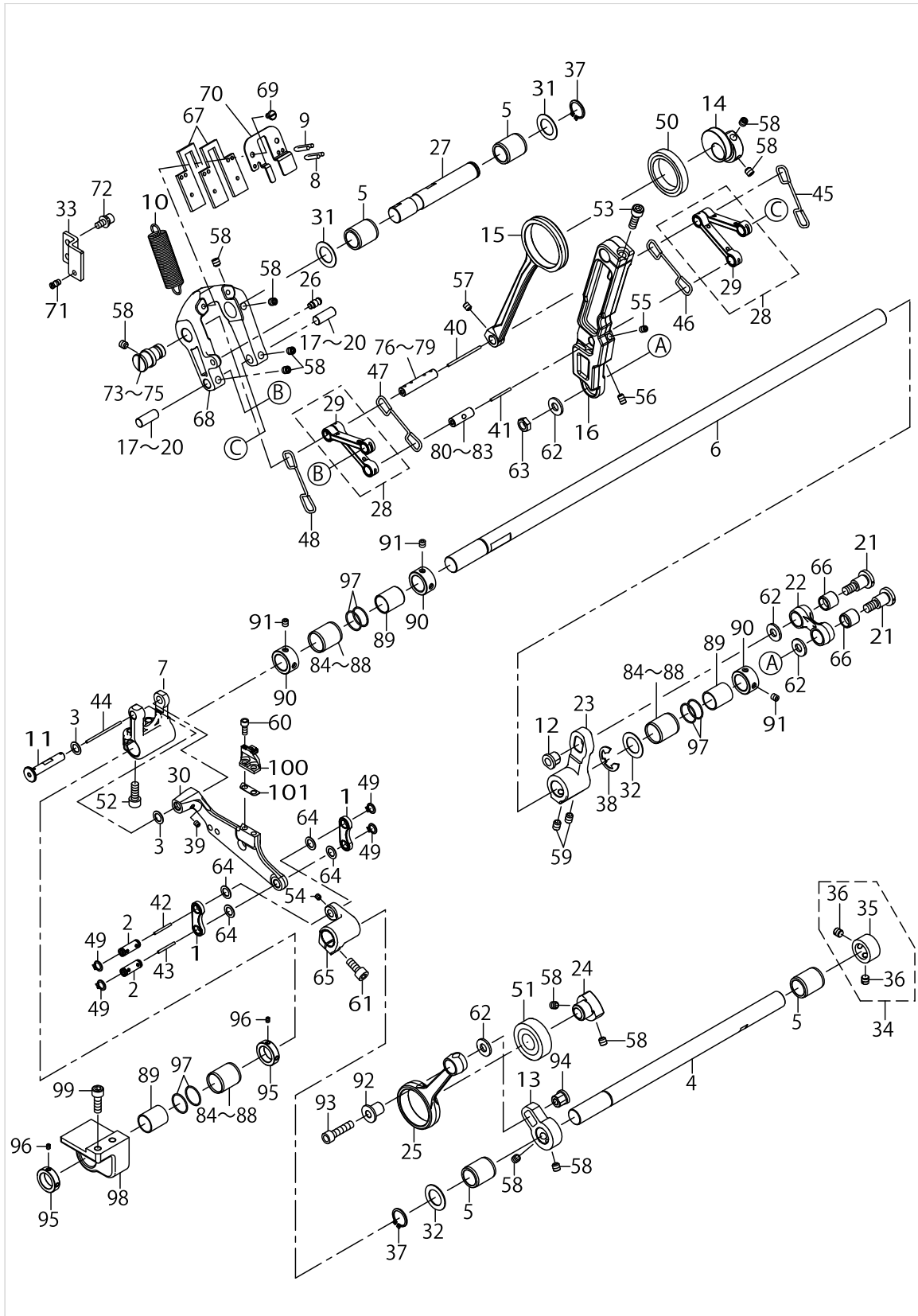
LOWER FEED COMPONENTS



LOWER FEED COMPONENTS

No.	Parts No.	Parts name	Remarks	Level	Cons	Qty
1	40123666	VERTICAL_LINK				2
2	40169688	VERTICAL_FEED_LINK_SHAFT				2
3	WP0740516SP	WASHER 7.4X11.8X0.5				2
4	40131621	VERTICAL_FEED_SHAFT				1
5	40169686	FEED ROCKER SHAFT BUSHING				4
6	40189277	HORIZONTAL_FEED_SHAFT_2828ES				1
7	40189282	FEED_BASE_ARM_2828ES				1
8	CQ202000000	COTTON OIL WICK D=2				0.05
9	CQ202000000	COTTON OIL WICK D=2				0.05
10	40126401	SPRING_B				1
11	40189290	FEED_BASE_SHAFT_2828ES				1
12	40126357	VERTICAL_FEED_ROD_NUT				1
13	40125843	VERTICAL_FEED_ARM_REAR				1
14	40123626	HORIZONTAL_FEED_CAM				1
15	40126151	HORIZONTAL_FEED_ROD				1
16	40123547	NEEDLE_BAR_ROCKING_LINK				1
17	40149120	FEED_ADJUSTING_PIN_A	SELECTIVE PARTS			2
18	40149121	FEED_ADJUSTING_PIN_B	SELECTIVE PARTS			2
19	40149122	FEED_ADJUSTING_PIN_C	SELECTIVE PARTS			2
20	40149123	FEED_ADJUSTING_PIN_D	SELECTIVE PARTS			2
21	SD1021251SP	SHOULDER SCREW D=10.2 H=12.5				2
22	40125856	CONNECTION_LINK				1
23	40169697	HORIZONTAL_FEED_ARM				1
24	40169698	VERTICAL_FEED_CAM				1
25	40125857	VERTICAL_FEED_ROD				1
26	40038494	THREAD_BIND_ARM_SPRING RAC				1
27	40192399	CHANGE_BASE_SHAFT				1
28	40126339	CONNECTION_LINK_ASM				2
29	40123252	CONNECTION_LINK		*		2
30	40131631	FEED_BASE				1
31	D1231555B00	WASHER				2
32	B125578100A	WASHER A				2
33	40192367	SPRING_BRACKET				1
34	22904155	MAIN SHAFT THRUST COLLAR ASM.				1
35	22904106	MAIN SHAFT THRUST COLLAR		*		1
36	SS8660610TP	SCREW 1/4-40 L=6		*		2
37	RC0150001KP	C-RING 15(13.8)				2
38	RE1200000K0	E-RING 12				1
39	SS8110422TP	SCREW 11/64-40 L=4				1
40	CQ202000000	COTTON OIL WICK D=2				0.042
41	CQ202000000	COTTON OIL WICK D=2				0.02
42	CQ202000000	COTTON OIL WICK D=2				0.024
43	CQ202000000	COTTON OIL WICK D=2				0.024
44	CQ202000000	COTTON OIL WICK D=2				0.04
45	CQ202000000	COTTON OIL WICK D=2				0.3
46	CQ202000000	COTTON OIL WICK D=2				0.3
47	CQ202000000	COTTON OIL WICK D=2				0.3

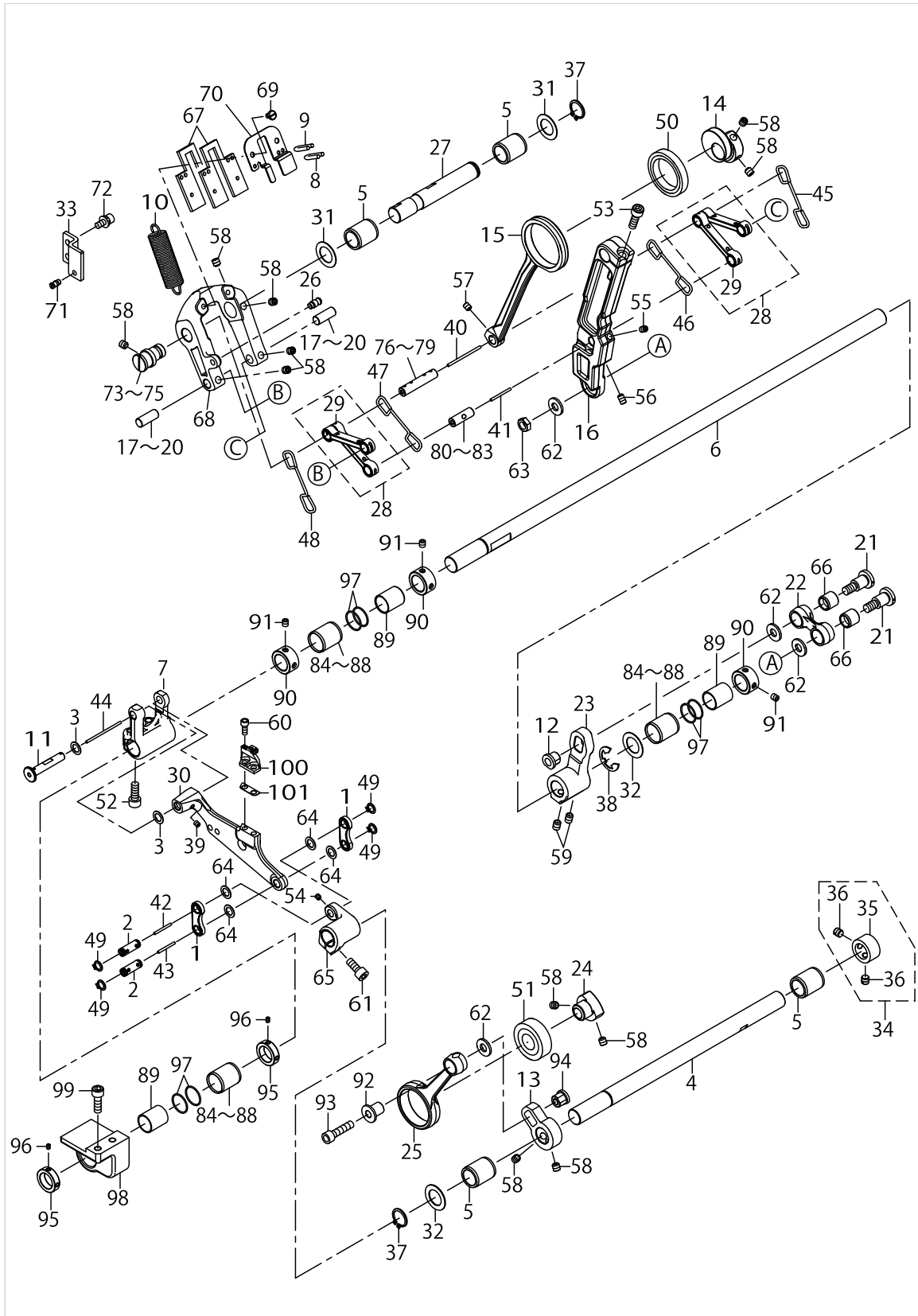
LOWER FEED COMPONENTS



LOWER FEED COMPONENTS

No.	Parts No.	Parts name	Remarks	Level	Cons	Qty
48	CQ202000000	COTTON OIL WICK D=2				0.3
49	RC0650811KP	C-RING 7(6.5)				4
50	40143087	BEARING				1
51	SB117000700	BEARING				1
52	SM6061602TP	SCREW M6 L=16				2
53	SM6061802TP	SCREW M6 L=18				1
54	SM8040412TP	SET SCREW M4 L=4				1
55	SM8050842TP	SET SCREW				1
56	SM8050812TP	SCREW M5X8				1
57	SM80506A2TP	SCREW M5 L=6				1
58	SM80606A2TP	SCREW M6 L=6				11
59	SM80608A2TP	SCREW M6 L=8				2
60	SS6110610TP	SCREW 11/64-40 L=6				2
61	SM6061402TP	SCREW M6 L=14				1
62	26018705	WASHER				4
63	NS6680410SP	NUT 9/32-28				1
64	WP0740516SP	WASHER 7.4X11.8X0.5				4
65	40125935	VERTICAL_FEED_ARM_FRONT				1
66	40126359	VERTICAL_FEED_ROD_BUSH				2
67	40123345	FELT				2
68	40123629	HORIZONTAL_FEED_CHANGE_BASE				1
69	SM6040650TP	SCREW				2
70	40123346	FELT HOLDER				1
71	26017400	SPRING RAC				1
72	SL6051292TN	SCREW M5 L=12				2
73	40171795	HF_CHANGE_BASE_SUPPORT_PIN_A	SELECTIVE PARTS			1
74	40171796	HF_CHANGE_BASE_SUPPORT_PIN_B	SELECTIVE PARTS			1
75	40171797	HF_CHANGE_BASE_SUPPORT_PIN_C	SELECTIVE PARTS			1
76	40149125	FEED_ROD_PIN_A	SELECTIVE PARTS			1
77	40149126	FEED_ROD_PIN_B	SELECTIVE PARTS			1
78	40149127	FEED_ROD_PIN_C	SELECTIVE PARTS			1
79	40149128	FEED_ROD_PIN_D	SELECTIVE PARTS			1
80	40149115	ROCKING_LINK_PIN_A	SELECTIVE PARTS			1
81	40149116	ROCKING_LINK_PIN_B	SELECTIVE PARTS			1
82	40149117	ROCKING_LINK_PIN_C	SELECTIVE PARTS			1
83	40149118	ROCKING_LINK_PIN_D	SELECTIVE PARTS			1
84	40169693	HORIZONTAL FEED SHAFT BUSHING C	SELECTIVE PARTS			3
85	40174552	HORIZONTAL FEED SHAFT BUSHING D	SELECTIVE PARTS			3
86	40174553	HORIZONTAL FEED SHAFT BUSHING E	SELECTIVE PARTS			3
87	40178995	HORIZONTAL FEED SHAFT BUSHING F	SELECTIVE PARTS			3
88	40178996	HORIZONTAL FEED SHAFT BUSHING G	SELECTIVE PARTS			3
89	40169690	H_FEED_SHAFT_PLASTIC_BUSHING				3
90	CS1501181TP	THRUST COLLAR D=15 W=11				3
91	SM8050512TP	SCREW				6
92	40154833	VERTICAL FEED COLLAR				1
93	SM6062502TP	SCREW M6 L=25				1
94	40154832	VERTICAL FEED ROD NUT				1

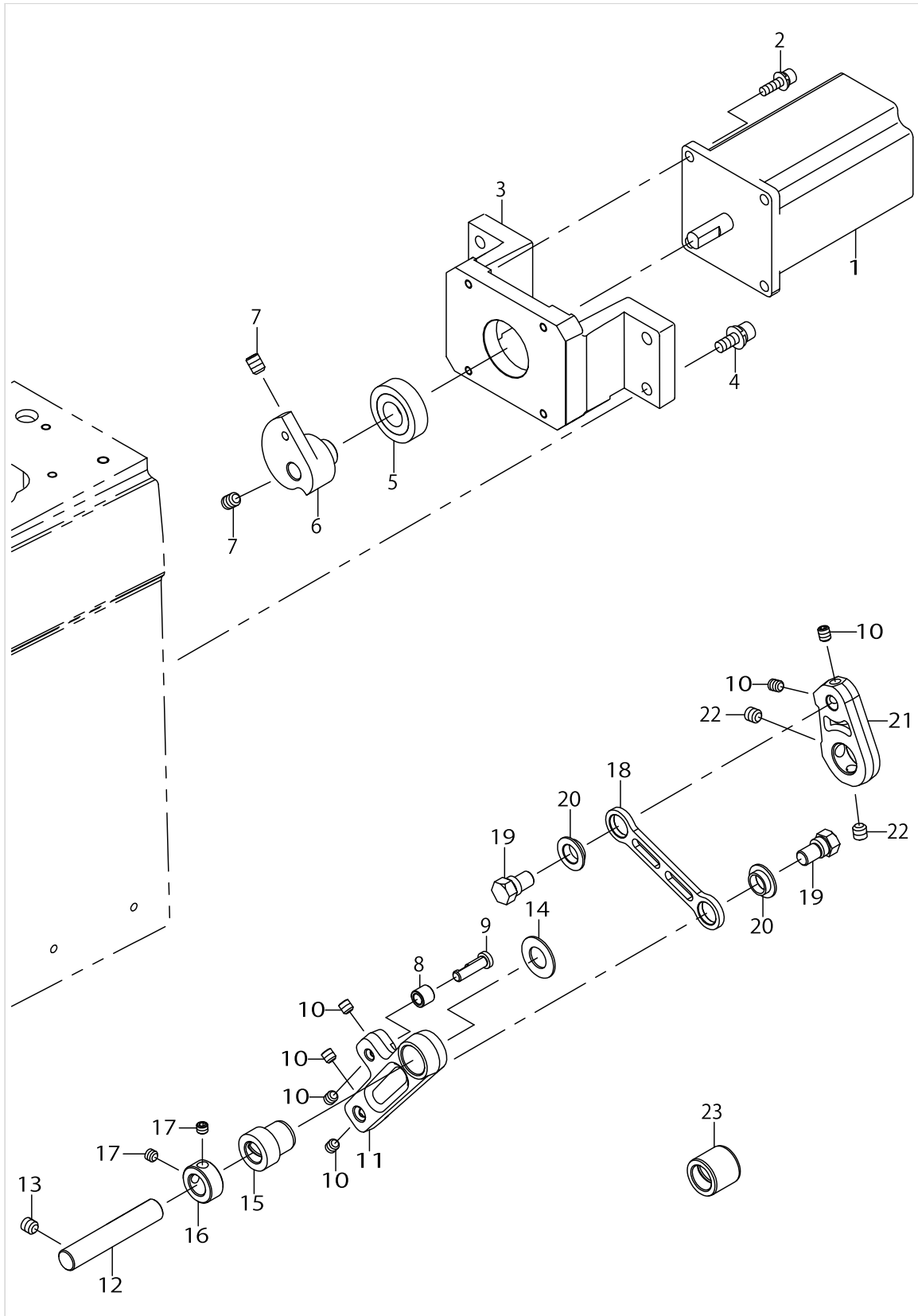
LOWER FEED COMPONENTS



LOWER FEED COMPONENTS

No.	Parts No.	Parts name	Remarks	Level	Cons	Qty
95	40171825	THRUST_COLLAR				2
96	SM8030412TP	SCREW				4
97	40176440	O-RING				6
98	40131619	METAL_INSTALLING_BOSS				1
99	SM6061802TP	SCREW_M6_L=18				2
100	40135816	FEED_DOG_2820A7				1
101	40138020	FEED_DOG_SPACER				1

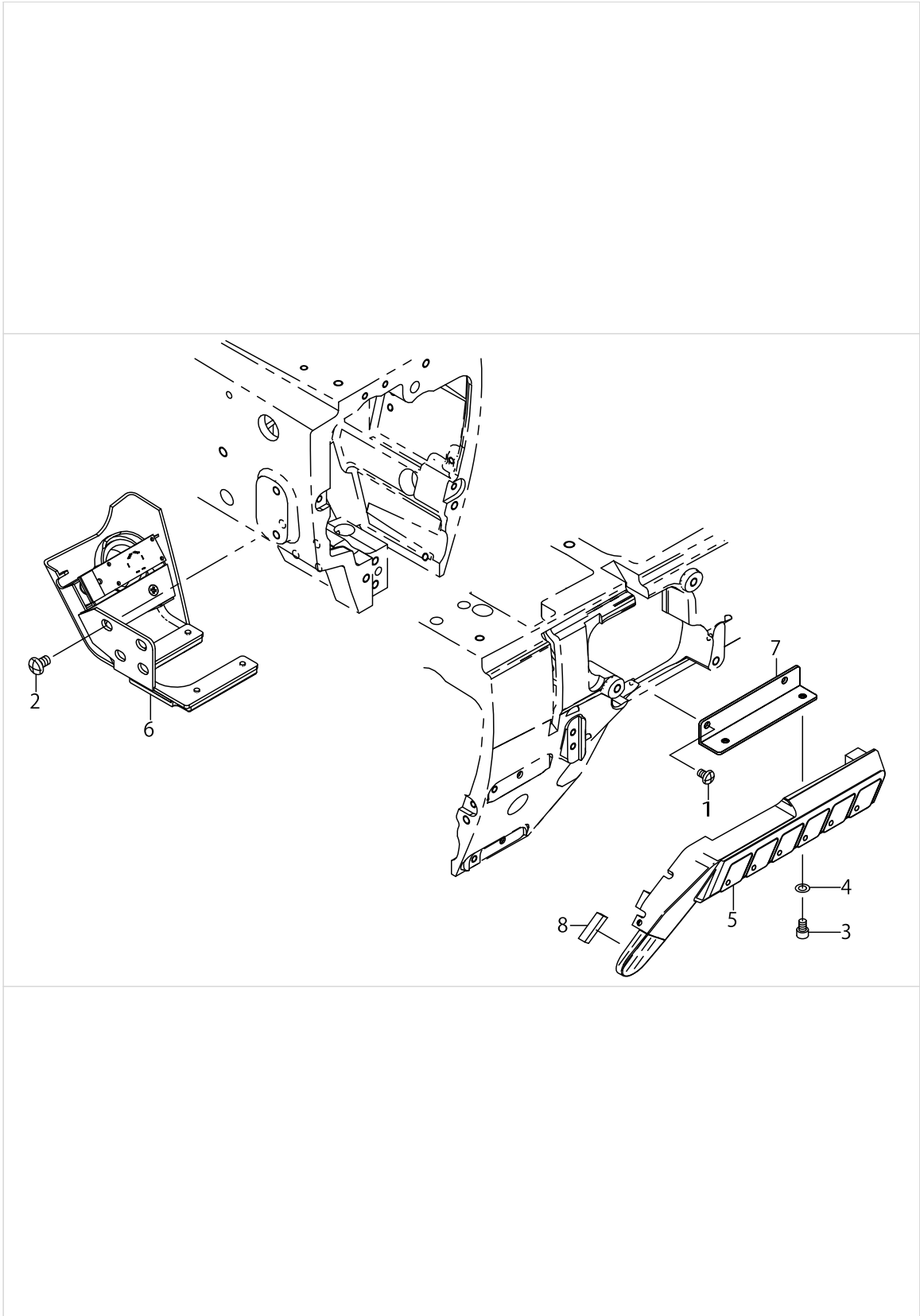
FEED ADJUST COMPONENTS



FEED ADJUST COMPONENTS

No.	Parts No.	Parts name	Remarks	Level	Cons	Qty
1	40192449	FEED MOTOR				1
2	SL6041492TN	SCREW M4 L=14				4
3	40192401	MOTOR_BRACKET				1
4	SL6051492TN	SCREW M5 L=14				4
5	SB112000200	BEARING				1
6	40192394	FEED_ADJUSTING_CAM				1
7	SM80608A2TP	SCREW M6 L=8				2
8	13737804	DRIVING ARM BOSS ROLLER				1
9	40026326	BEARING_SHAFT				1
10	SM8050512TP	SCREW				6
11	40192395	FEED_ADJUSTING_PIN HOLDER				1
12	40192368	FEED_CAM_PIN				1
13	SM8060612TP	SCREW M6 L=6				1
14	40192412	WASHER				1
15	40192396	FEED_CAM_PIN_METAL				1
16	CS1000881TP	THRUST COLLAR D=10 W=8				1
17	SM8050412TP	SCREW M5 L=4				2
18	40192398	FEED_ADJUSTING_LINK				1
19	40192400	FEED_ADJUST_PIN				2
20	40034468	WORK_PIECE_CYLINDER_ROD_BUSH				2
21	40192397	FEED_ADJUSTING_ARM				1
22	SM8060612TP	SCREW M6 L=6				2
23	40086018	BUSHING_MAIN_FEED				1

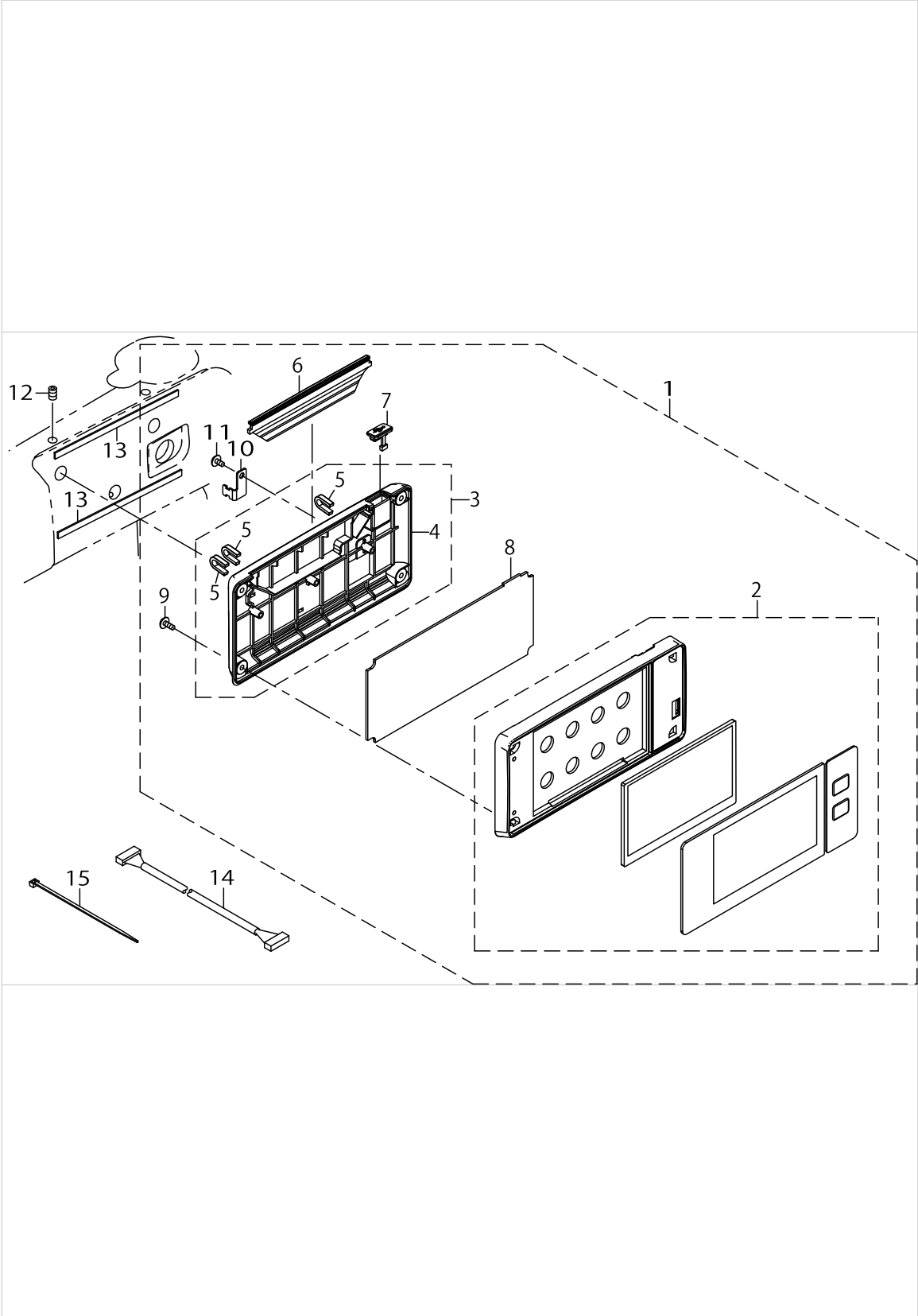
SWITCH UNIT COMPONENTS



SWITCH UNIT COMPONENTS

No.	Parts No.	Parts name	Remarks	Level	Cons	Qty
1	SM4040655SP	SCREW M4 L=6				2
2	SM4050855SP	SCREW				2
3	SM6040652TP	SCREW M4 L=6				2
4	WP0450000SD	WASHER 4.5X8X0.5				2
5	40191502	6RANGES SW UNIT				1
6	40191503	JOGDIAL LED UNIT				1
7	40192570	6RANGES SW BRACKET				1
8	40198201	RUBBER_CLAMP				1

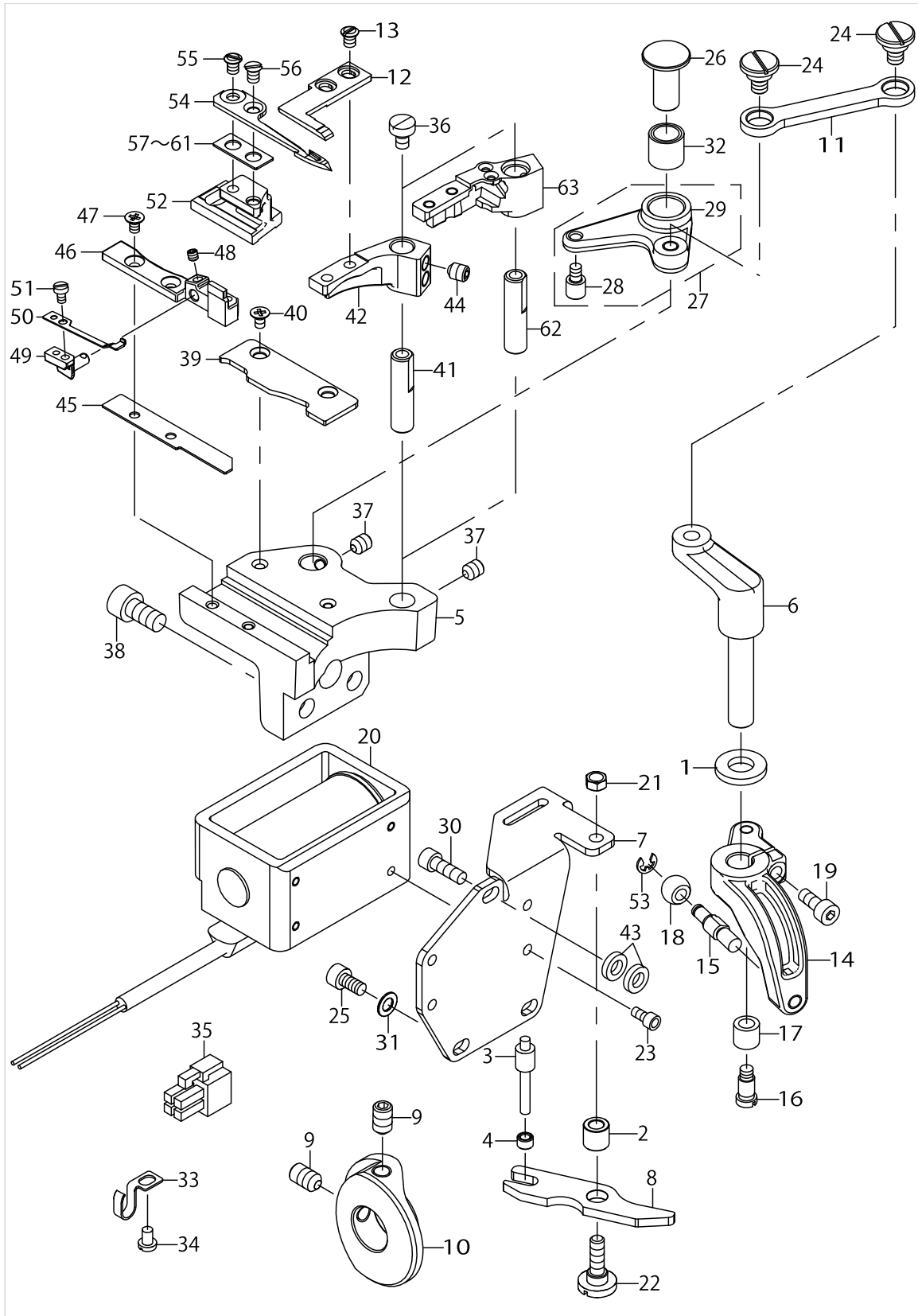
OPERATION PANEL COMPONENTS



OPERATION PANEL COMPONENTS

No.	Parts No.	Parts name	Remarks	Level	Cons	Qty
1	40173450	PANEL-F ASSY				1
2	40173451	PANEL_COVER_F ASSY		*	☆	1
3	40173459	PANEL COVER R ASM		*		1
4	40172386	PANEL_COVER_R		*		1
5	40172420	FIX_PLATE		*		3
6	40172422	INDICATOR		*		1
7	40172423	USB_COVER		*		1
8	40169398	PNL-F PCB ASSY		*		1
9	SV4030802SN	TAPPING SCREW WITH FLANGE M3X8		*		4
10	40174580	PANEL_CABLE_CLAMP_PLATE		*		1
11	SV4030802SN	TAPPING SCREW WITH FLANGE M3X8		*		1
12	SM8050852TP	SCREW M5X8				3
13	40174408	PANEL_CSHION_RUBBER				2
14	40175585	CTL-PNL CORD ASSY				1
15	EA9500B0100	CABLE BAND				1

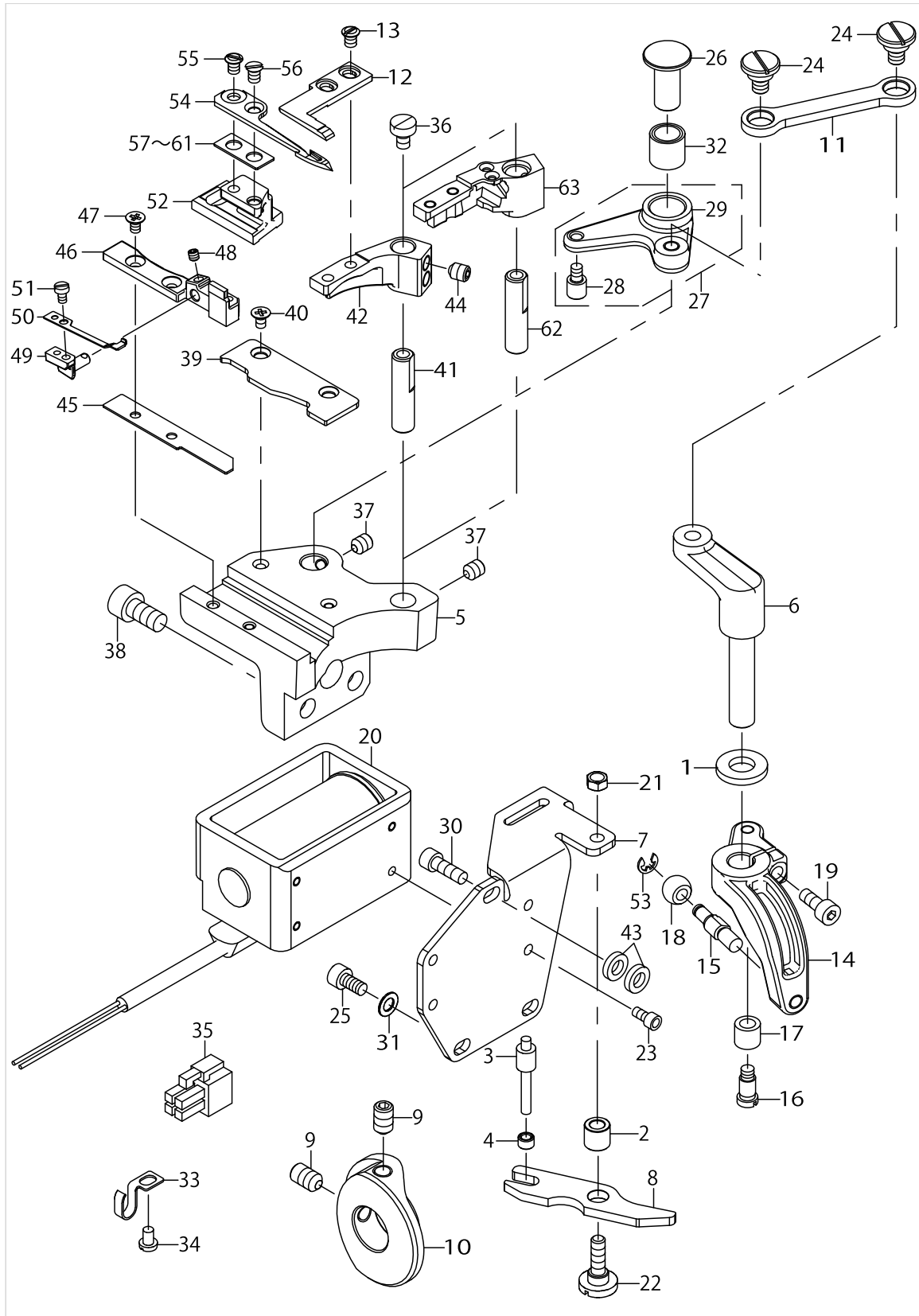
THREAD CUTTING COMPONENTS



THREAD CUTTING COMPONENTS

No.	Parts No.	Parts name	Remarks	Level	Cons	Qty
1	B185351200E	HOOK_SHAFT_WASHER				1
2	22956205	WIPER_HINGE_SCREW_COLLAR				1
3	22957104	WIPER_SOLENOID_SHAFT				1
4	22957203	WIPER_LINK_COLLAR				1
5	40147930	KNIFE_BASE				1
6	40131636	M_KNIFE_DRIVING_SHAFT				1
7	40131640	THREAD_TRIMMER_SOL_BASE_PLATE				1
8	40131638	KNIFE_DRIVING_ARM_LINK				1
9	SM8060812TP	SCREW M6 L=8				2
10	40131633	S_TRM_CAM_R				1
11	40131635	CONNECTION_LINK				1
12	40135498	FIXED_KNIFE			☆	1
13	SS6090580TP	SCREW_9/64-40_L=4.5				2
14	40131637	MOVING_KNIFE_DRIVING_ARM				1
15	40130593	ROLLER_SHAFT				1
16	SD0500726TP	SHOULDER_SCREW_D=5_H=7.2				1
17	13737804	DRIVING_ARM_BOSS_ROLLER				1
18	21470505	CAM_ROLLER(245-7SP)				1
19	SM6041002TP	SCREW_M4_L=10				1
20	40192453	THREAD_TRIMMER_SOLENOID				1
21	NS6110310SP	NUT_11/64-40				1
22	SD0650321TP	HINGE_SCREW_D=6.5_H=3.2				1
23	SM6030602TP	SCREW_M3X0.5_L=6				4
24	SD0800329TP	SHOULDER_SCREW				2
25	SM6040802TP	SCREW_M4X0.7_L=8				2
26	40135897	M_KNIFE_SUPPORT_PIN				1
27	40149043	ASSY_KNIFE_DRIVING_ARM				1
28	40012499	KNIFE_BASE_SHAFT_PIN		*	☆	1
29	40131617	M_KNIFE_DRIVING_ARM		*		1
30	SM6041202TP	SCREW M4X0.7 L=12				1
31	WP0450000SD	WASHER_4.5X8X0.5				3
32	SB30800140A	BEARING				1
33	26231902	OIL_WICK_PIPE_STOPPER				1
34	SM4040655SP	SCREW_M4_L=6				1
35	HK034610040	CONNECTOR				1
36	SM6040650TP	SCREW				1
37	SM80506A2TP	SCREW_M5_L=6				3
38	SM6061202TP	SCREW_M6_L=12				2
39	40147927	D_KNIFE_BASE_GUIDE_R				1
40	SM1030601SN	SCREW_M3X0.5_L=6				2
41	40131616	F_KNIFE_BASE_SHAFT	FOR STANDARD			1
42	40147928	F_KNIFE_BASE	FOR STANDARD			1
43	40021606	WASHER(B)				2
44	SS8110422TP	SCREW_11/64-40_L=4				2
45	40147929	DRIVING_KNIFE_SUPPORT_SPACER				1
46	40147926	D_KNIFE_SPPORT_R				1
47	SM1030601SN	SCREW_M3X0.5_L=6				2

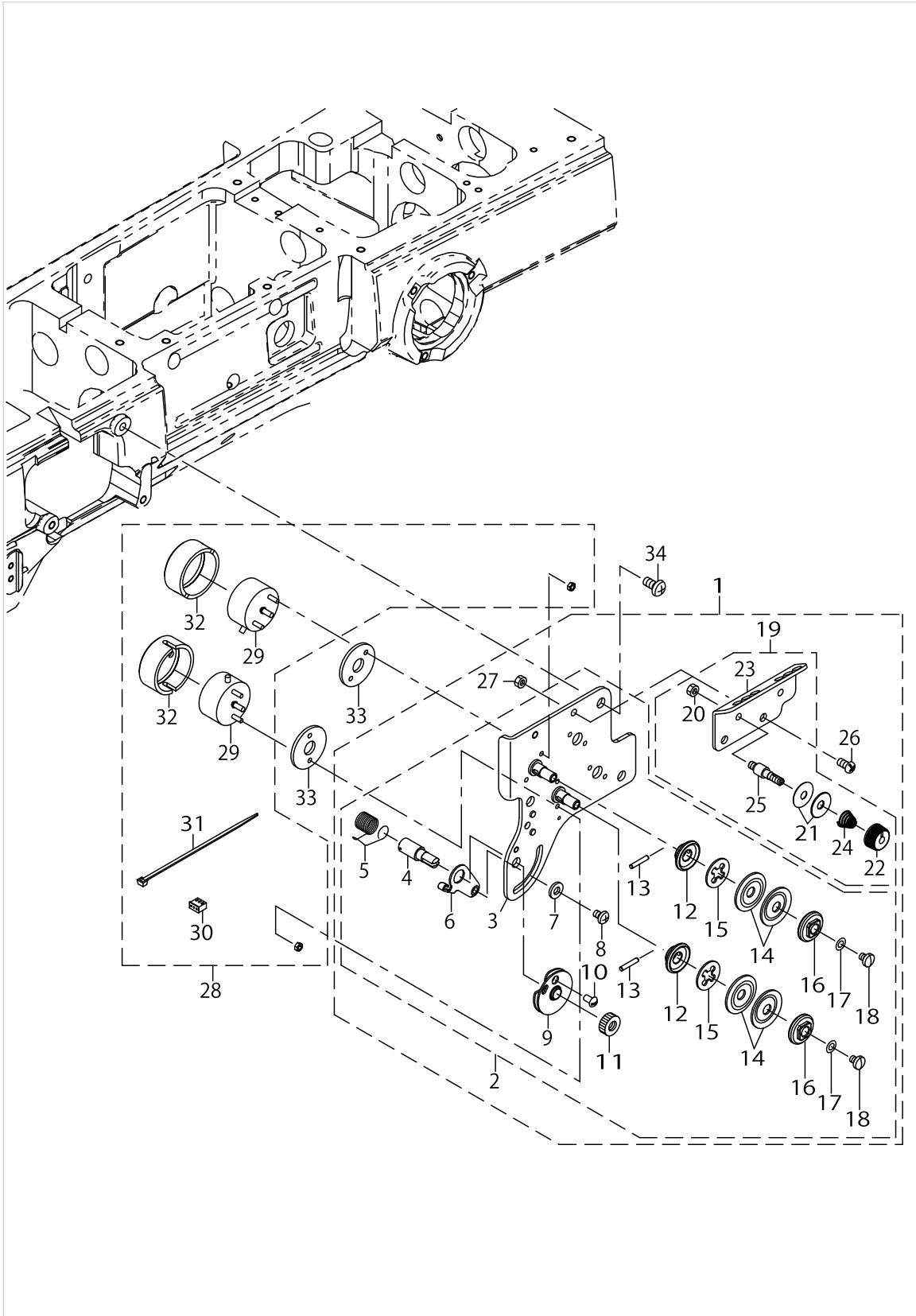
THREAD CUTTING COMPONENTS



THREAD CUTTING COMPONENTS

No.	Parts No.	Parts name	Remarks	Level	Cons	Qty
48	SM8030312TP	SCREW_M3_L=3				1
49	40134967	CLAMP_SPRING_BASE				1
50	40135955	CLAMP_SPRING			☆	1
51	SM6850400SP	SCREW_M2.5_L=4				1
52	40147937	DRIVING_KNIFE_BASE				1
53	RE0300000K0	E-RING_3				1
54	40147938	DRIVING_KNIFE			☆	1
55	SS6090580TP	SCREW_9/64-40_L=4.5				1
56	SS1090520TP	SCREW_9/64-40_L=5				1
57	40147932	DRIVING_KNIFE_SPACER_T=0.4	SELECTIVE PARTS			1
58	40147933	DRIVING_KNIFE_SPACER_T=0.5	SELECTIVE PARTS			1
59	40147934	DRIVING_KNIFE_SPACER_T=0.6	SELECTIVE PARTS			1
60	40147935	DRIVING_KNIFE_SPACER_T=0.7	SELECTIVE PARTS			1
61	40147936	DRIVING_KNIFE_SPACER_T=0.8	SELECTIVE PARTS			1
62	40167015	F_KNIFE_BASE_SHAFT_SS	FOR SMART DEVICE			1
63	40162125	F_KNIFE_BASE_ZAN_A03	FOR SMART DEVICE			1

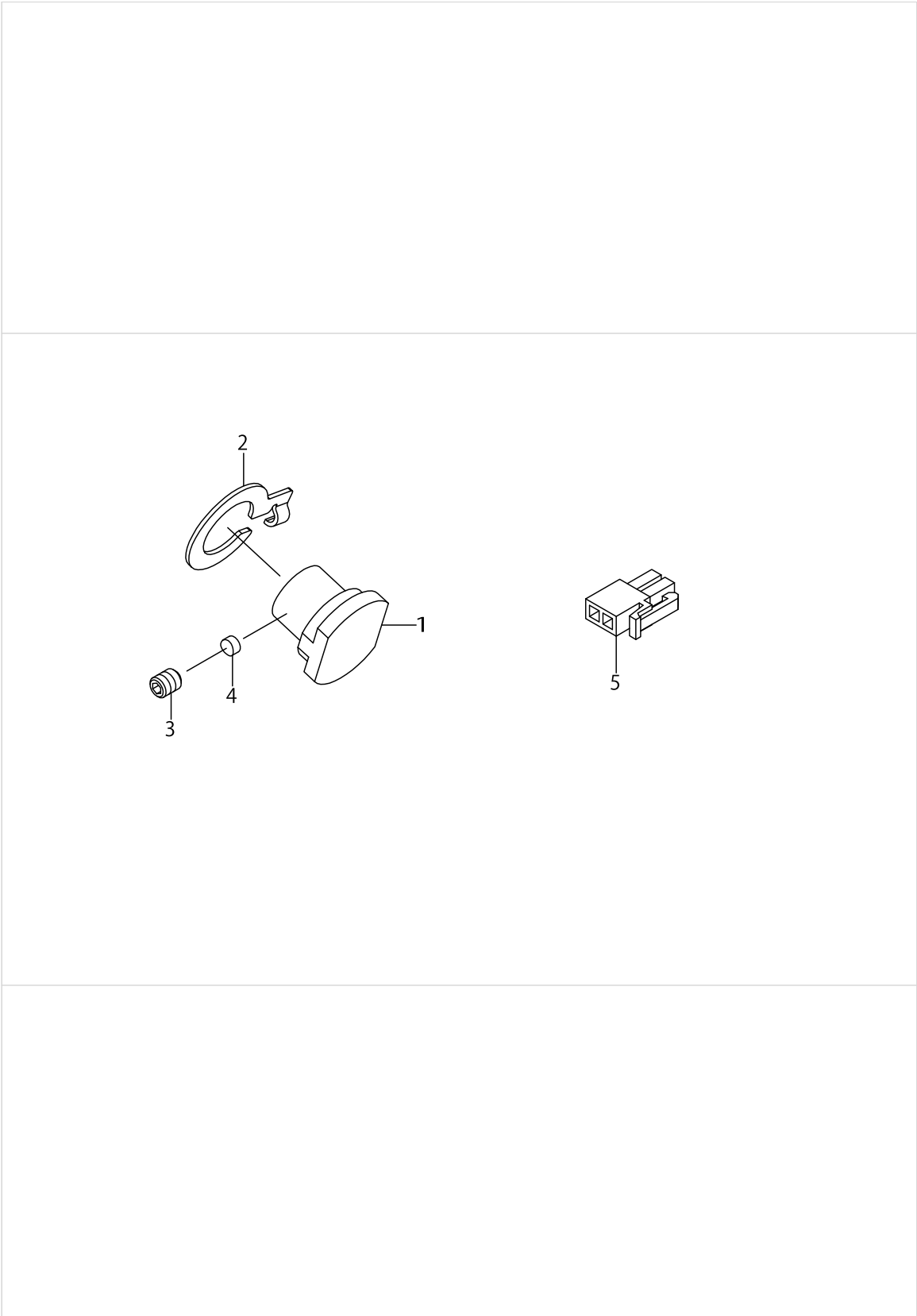
THREAD TENSION COMPONENTS



THREAD TENSION COMPONENTS

No.	Parts No.	Parts name	Remarks	Level	Cons	Qty
1	40191366	THREAD_TENSION_ASSY				1
2	40191364	THREAD_TENSION_PLATE_ASM		*		1
3	40191363	ASSY_TENSION_BASE_PLATE		*		1
4	10320109	SCREW STUD		*		1
5	22618706	THREAD TAKE-UP SPRING A		*		1
6	10697506	THREAD TENSION BRACKET		*		1
7	WP0501016SD	WASHER 5X10.5X1		*		1
8	SS4110615SP	SCREW 11/64-40 L=6		*		1
9	B31375270A0	TAKE-UP SPRING GUIDE ASM.		*		1
10	SS3090710TP	SCREW 9/64-40 L=7		*		1
11	22617807	NUT		*		1
12	40192371	TENSION_DISC_PRESSER		*		2
13	40192373	TENSION_DISC_PRESSER_PIN		*		2
14	22921506	THREAD TENSION DISK		*		4
15	40174312	THREAD_TENSION_DISK_RUBBER		*		2
16	40192372	THREAD_TENSION_NUT		*		2
17	WP0430800MZ	WASHER		*		2
18	SM7040550SP	SCREW M4 L=5		*		2
19	40191365	THREAD_GUIDE_PLATE_ASM		*		1
20	NS6110310SP	HEXAGONAL NUT 11/64-40		*		1
21	22945802	THREAD TENSION DISK		*		2
22	22945703	THREAD TENSION NUT		*		1
23	40192374	THREAD_GUIDE_PLATE_2860V		*		1
24	22963409	THREAD TENSION SPRING		*		1
25	40192375	THREAD_TENSION_POST_B		*		1
26	SS4110815SP	SCREW 11/64-40 L=8		*		2
27	NS6110310SP	HEXAGONAL NUT 11/64-40		*		2
28	40192455	AT_SOLENOID_SET_1 ASM				1
29	40192454	AT_SOLENOID		*		2
30	HK016510040	CONNECTOR		*		1
31	EA9500B0100	CABLE BAND		*		1
32	40192463	AT SOLENOID COVER		*		2
33	40192383	SOLENOID_SPACER				2
34	SM4051001SN	SCREW M5				3

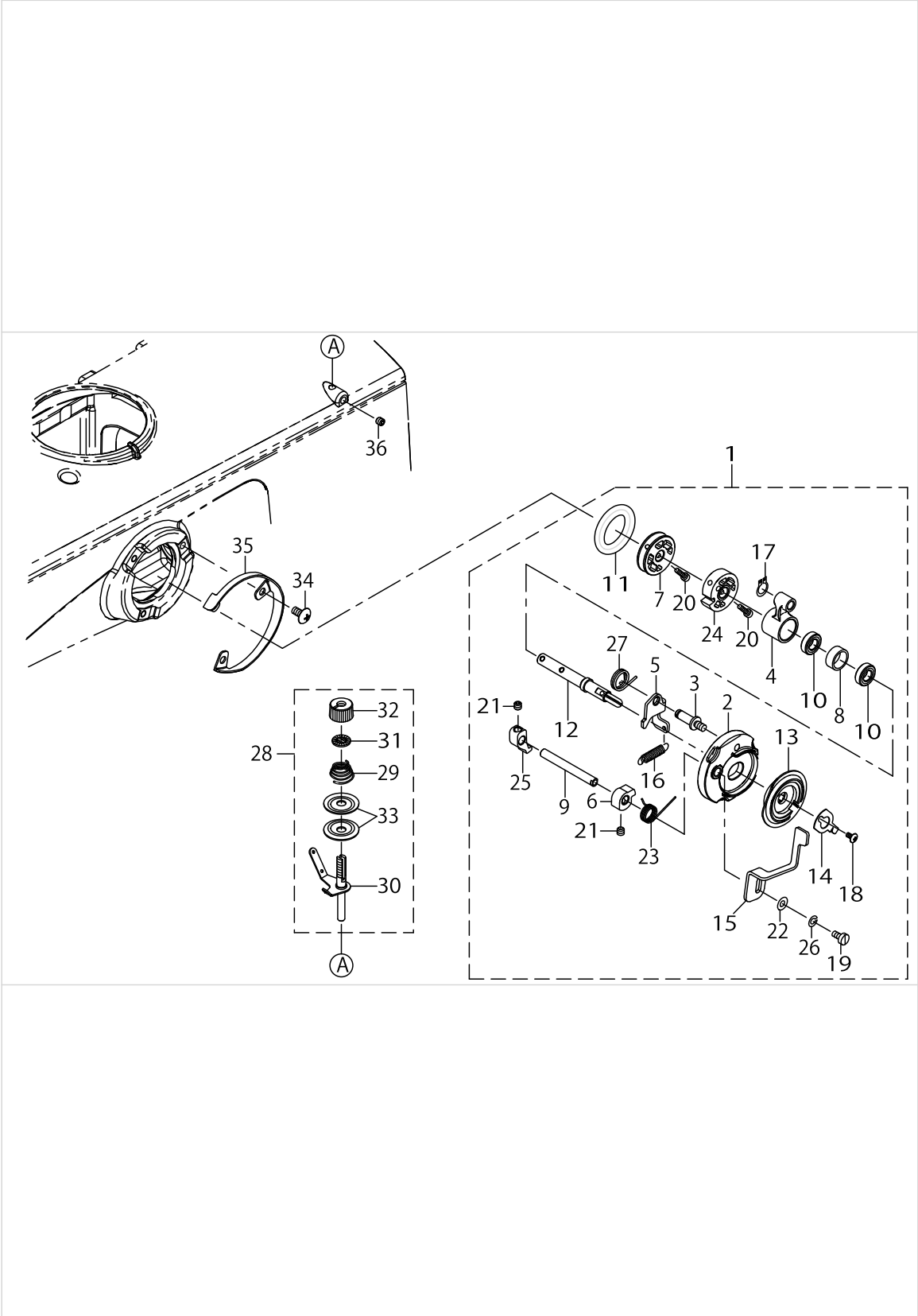
NEEDLE THREAD CLAMP COMPONENTS



NEEDLE THREAD CLAMP COMPONENTS

No.	Parts No.	Parts name	Remarks	Level	Cons	Qty
1	40131641	THREAD_CATCHER_ASM.				1
2	40137971	SOLENOID_CABLE HOLDER				1
3	SM8050612TP	SCREW_M5X6				1
4	40149044	SOLENOID_SPACER				1
5	HK034610020	CONNECTOR				1

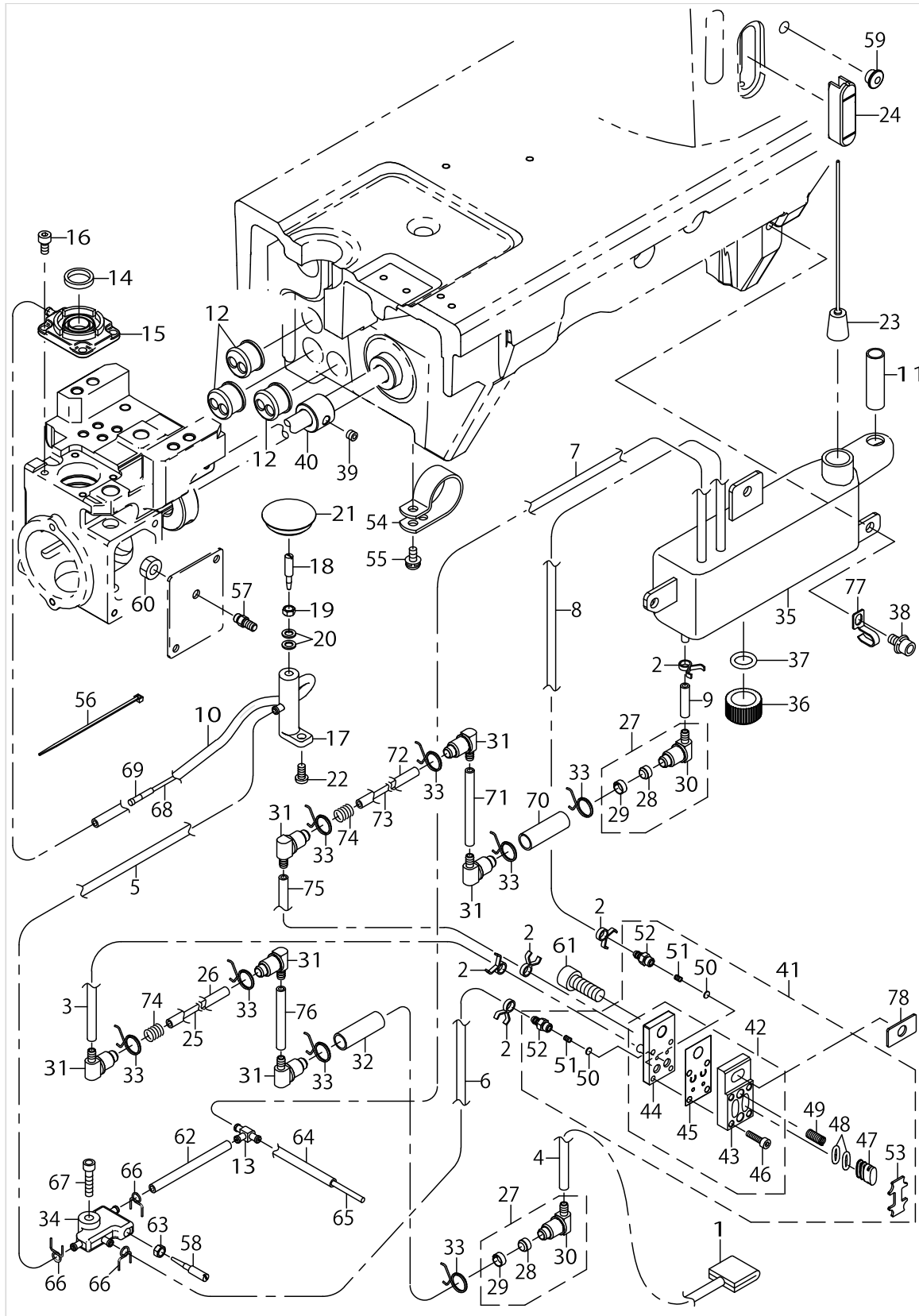
BOBBIN WINDER COMPONENTS



BOBBIN WINDER COMPONENTS

No.	Parts No.	Parts name	Remarks	Level	Cons	Qty
1	40192384	BOBBIN_WINDER_UNIT				1
2	40192946	BTW_BASE		*		1
3	26260307	BTW_BASE_SHAFT		*		1
4	26260406	BTW_SHAFT_BASE		*		1
5	40126594	WINDER_CAM_PLATE		*		1
6	26260505	BTW_CAM_LEVER		*		1
7	40125851	WINDER_WHEEL		*		1
8	26260802	BTW_BEARING_SPACER		*		1
9	26261008	BTW_LEVER_SHAFT		*		1
10	40126354	WINDER_BEARING		*		2
11	26261503	BTW_WHEEL_RUBBER		*	☆	1
12	40126550	BOBBIN_SHAFT		*		1
13	40125927	BOBBIN_BASE		*		1
14	40126311	WINDER_CUTTER		*		1
15	40192385	BOBBIN_LEVER		*		1
16	13718507	SPRING		*		1
17	RC0560711KP	C-RING 6(5.6)		*		1
18	SM0030601SC	SCREW M3X6		*		1
19	SM6040860TP	SCREW M4 L=8		*		1
20	SM6031202TP	SCREW M3X0.5 L=12		*		2
21	SM8050502TP	SCREW M5 L=5		*		2
22	WP0450801SP	WASHER		*		1
23	40126549	HELICAL_TORSION_COIL_SPRING		*		1
24	40125928	WINDER_LATCH_CAM		*		1
25	40125844	WINDER_LATCH_B		*		1
26	WS0451040KP	SPRING WASHER 4.5X8.5X1		*		1
27	40011144	BTW_TORSION_SPRING		*		1
28	40193552	BOBBIN_THREAD_TENSION_ASM.				1
29	22921704	THREAD TENSION SPRING		*	☆	1
30	40193553	BOBBIN_THREAD_TENSION_ROD_ASM.		*		1
31	22921407	ROTATION STOPPER		*		1
32	22921308	THREAD TENSION NUT		*		1
33	22921506	THREAD TENSION DISK		*		2
34	SM0051001SC	SCREW				3
35	40152022	BTW_GUARD				1
36	SM8051002TP	SCREW M5 L=10				1

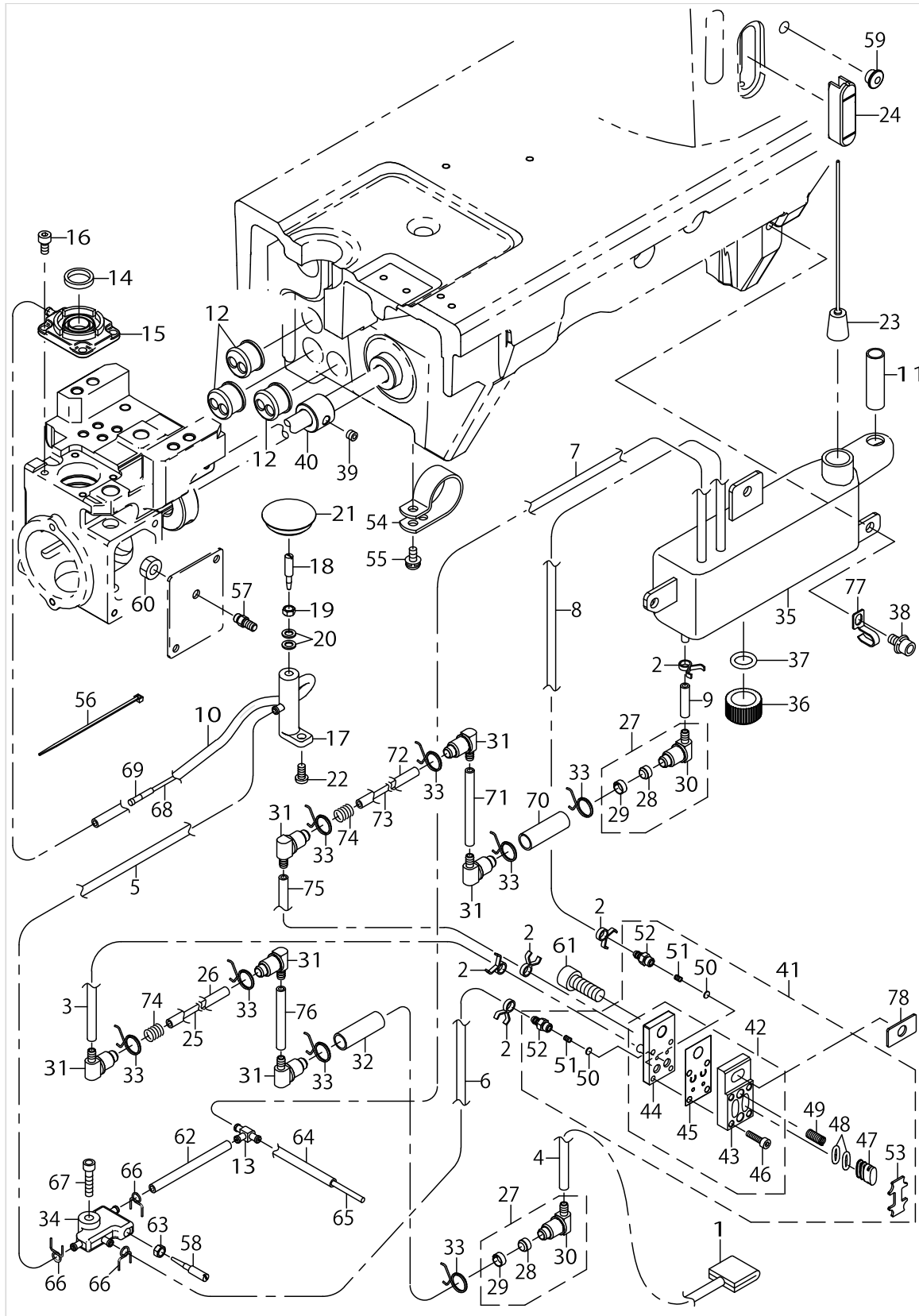
LUBRICATION COMPONENTS



LUBRICATION COMPONENTS

No.	Parts No.	Parts name	Remarks	Level	Cons	Qty
1	40112320	FELT				1
2	13142609	OIL_TUBE HOLDER				5
3	23630007	TUBE				0.1
4	23630007	TUBE				0.4
5	23630007	TUBE				0.12
6	23630007	TUBE				0.08
7	23630007	TUBE				0.31
8	23630007	TUBE				0.4
9	23630007	TUBE				0.02
10	23630007	TUBE				0.22
11	23630106	TUBE_B				0.32
12	22935308	MAGNET_CORD_RUBBER				3
13	13765607	OIL_CONNEC_ARM				1
14	40112318	OIL_SUPPLY_FELT				1
15	40112246	OIL_SUPPLY				1
16	SM6040802TP	SCREW_M4X0.7_L=8				4
17	40069741	OIL_REGULATING_VALVE				1
18	B1843563000	OIL_ADJUSTING_SCREW				1
19	NS6110310SP	NUT_11/64-40				1
20	WP0450846SP	WASHER				2
21	40028294	FEED_ADJUSTING_CAP				1
22	SM4040855SP	SCREW				1
23	23628357	FLOATER_ASM.				1
24	40036167	OIL_GAGE				1
25	CQ303000000	OIL_WICK				0.26
26	23630106	TUBE_B				0.09
27	23630650	OIL_FILTER_JOINT_ASM.				2
28	23630403	OIL_FILTER_STOPPER		*	☆	1
29	23630502	OIL_FILTER		*		1
30	23630601	OIL_FILTER_JOINT		*		1
31	23630601	OIL_FILTER_JOINT				6
32	23630106	TUBE_B				0.03
33	23629405	PIPE_STOPPER_B				8
34	40032804	BASE				1
35	40125929	OIL_TANK				1
36	40013595	OIL_EXIT_CAP				1
37	RO098240100	RUBBER_RING				1
38	SL6051092TN	SCREW M5 L=10				3
39	SM8050412TP	SCREW M5 L=4				1
40	40169706	ECCENTRIC_CAM				1
41	40101719	PUMP_BASE_ASSY				1
42	40102249	PUMP_BASE_ASM.		*		1
43	40101715	PUMP_BASE_TOP		*		1
44	40101716	PUMP_BASE_BOTTOM		*		1
45	40101717	VALVE_SHEET		*		1
46	SM6031202TP	SCREW_M3X0.5_L=12		*		4
47	40101713	OVAL_PLUNGER		*		2

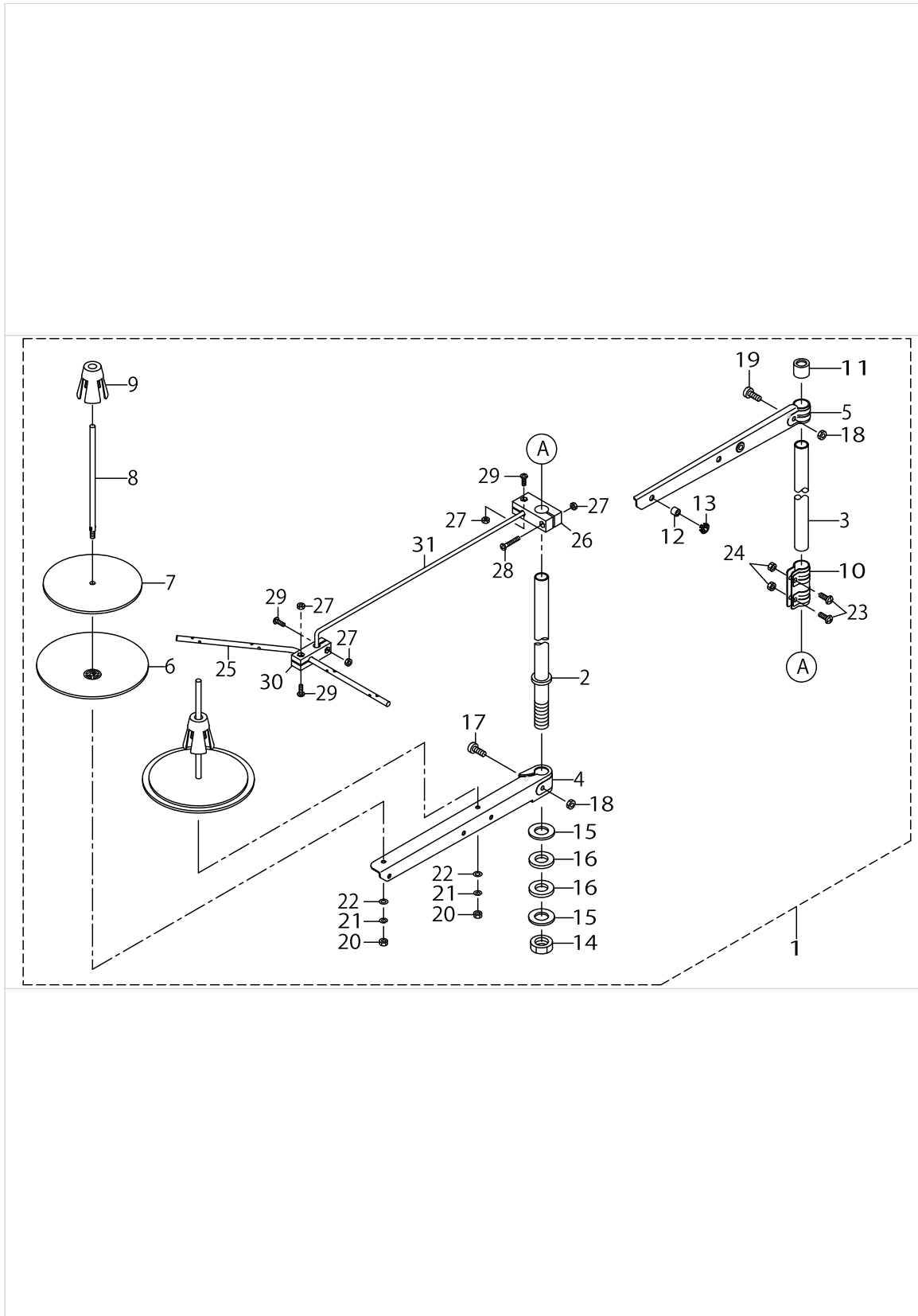
LUBRICATION COMPONENTS



LUBRICATION COMPONENTS

No.	Parts No.	Parts name	Remarks	Level	Cons	Qty
48	40116455	OVAL_O_RING		*		4
49	40127446	SPRING		*		2
50	40116457	FREE_VALVE		*		2
51	40116458	SPRING		*		2
52	40116459	CONNECTING_SCREW		*		2
53	40101714	PLUNGER_HOLD_PLATE		*		1
54	HX00150000M	CABLE_CLIP				1
55	SL4041091SC	SCREW_M4_L=10				1
56	EA9500B0100	CABLE_BAND				3
57	SQ2050452MZ	CONNECTING_SCREW				1
58	B1843563000	OIL_ADJUSTING_SCREW				1
59	40126582	RUBBER_PLUG				1
60	NM6050003SC	NUT_M5X0.8				1
61	SM6061802TP	SCREW_M6_L=18				1
62	23630007	TUBE				0.06
63	NS6110310SP	NUT_11/64-40				1
64	23630007	TUBE				0.33
65	CQ202000000	COTTON_OIL_WICK_D=2				0.05
66	13142609	OIL_TUBE HOLDER				3
67	SM6041802TP	SCREW_M4_L=18				1
68	CQ202000000	COTTON OIL WICK D=2				0.18
69	11015906	OIL_WICK				2
70	23630106	TUBE B				0.03
71	23630007	TUBE				0.05
72	23630106	TUBE_B				0.09
73	CQ303000000	COTTON OIL WICK D=3				0.26
74	12210803	SPRING				2
75	23630007	TUBE				0.1
76	23630007	TUBE				0.04
77	26231902	OIL WICK PIPE STOPPER	FOR JE			1
78	40169707	PUMP_SPACER				1

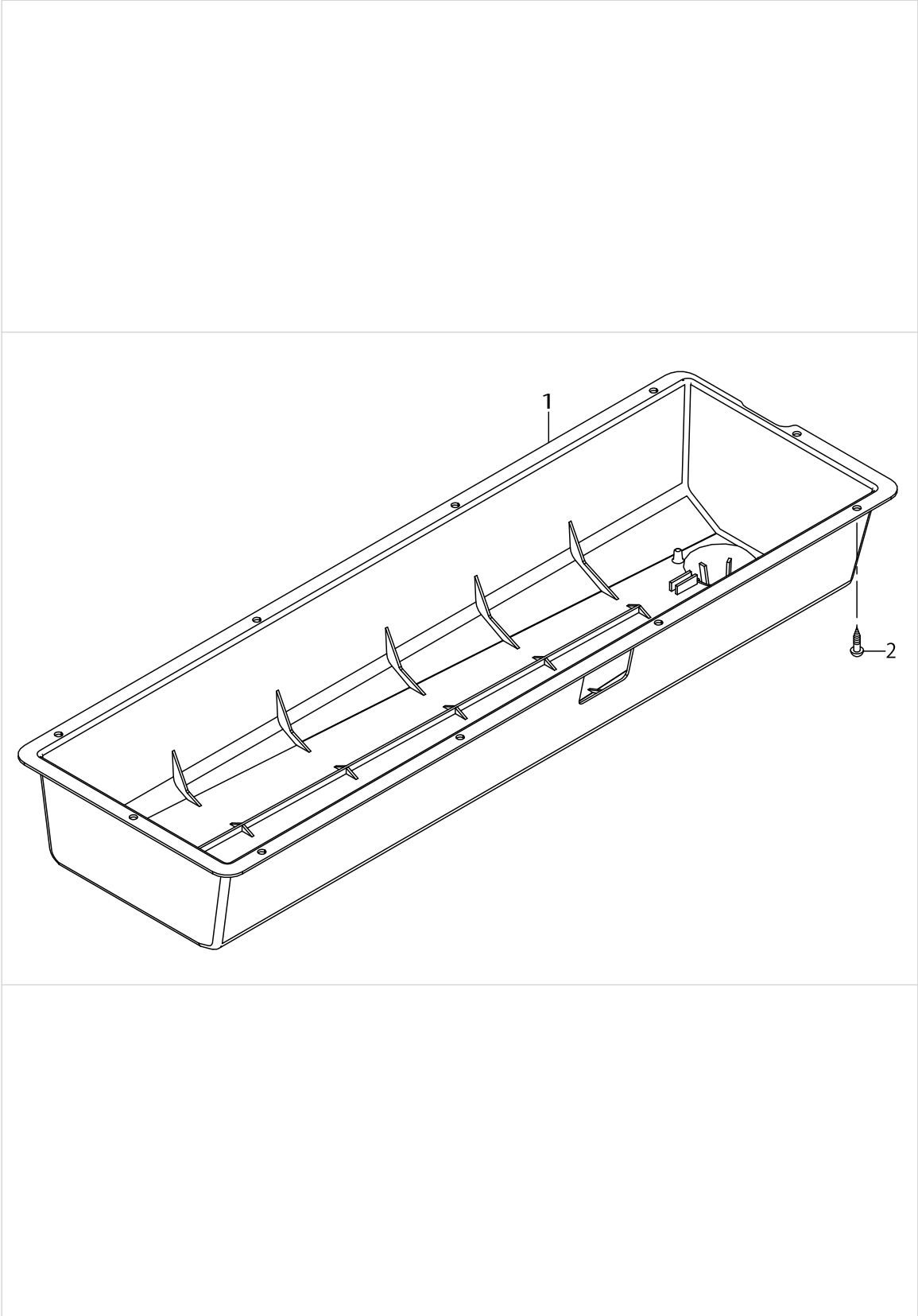
THREAD STAND COMPONENTS



THREAD STAND COMPONENTS

No.	Parts No.	Parts name	Remarks	Level	Cons	Qty
1	40192320	THREAD_STAND_PACKING				1
2	40192328	SPOOL_REST_ROD_LOWER		*		1
3	40192324	SPOOL_REST_ROD_UPPER		*		1
4	40192330	SPOOL_REST_ARM_LOWER		*		1
5	40192321	SPOOL_REST_ARM_UPPER		*		1
6	40192329	SPOOL_REST		*		2
7	40192331	SPOOL_REST_CUSHION		*		2
8	40085790	SPOOL_PIN		*		2
9	40085791	SPOOL_RETAINER		*		2
10	40085792	SPOOL_REST_ROD_JOINT		*		1
11	40085793	SPOOL_REST_ROD_RUBBER_CAP		*		1
12	40192323	THREAD_GUIDE		*		2
13	40192332	THREAD_GUIDE_BUSHING		*		2
14	40096325	SPOOL_REST_ROD_NUT		*		1
15	WP1612616SE	WASHER_16X30X2.6		*		2
16	40085796	SPOOL_REST_ROD_RUBBER_CUSHION		*		2
17	40096326	SPOOL_REST_ARM_LOWER_SCREW		*		1
18	NM6050001SE	NUT M5X0.8 TYPE1		*		2
19	40096327	SPOOL_REST_ARM_UPPER_SCREW		*		1
20	NM6050001SE	NUT M5X0.8 TYPE1		*		2
21	WS0510002KN	SPRING_WASHER_M5		*		2
22	WP0531001SC	WASHER_M5		*		2
23	SM4051405SE	SCREW_M5_L=14		*		2
24	NM6050001SE	NUT M5X0.8 TYPE1		*		2
25	40192325	THREAD_GUIDE_4		*		1
26	40106579	THREAD_GUIDE_ARM_BASE		*		1
27	NM6040002SC	NUT_M4X0.7 TYPE2		*		4
28	SM4042501SC	SCREW_M4X0.7_L=25		*		1
29	SM4041201SC	SCREW_M4X0.7_L=12		*		3
30	40192414	THREAD_GUIDE_UNDER_BASE		*		1
31	40106576	THREAD_GUIDE_ARM		*		1

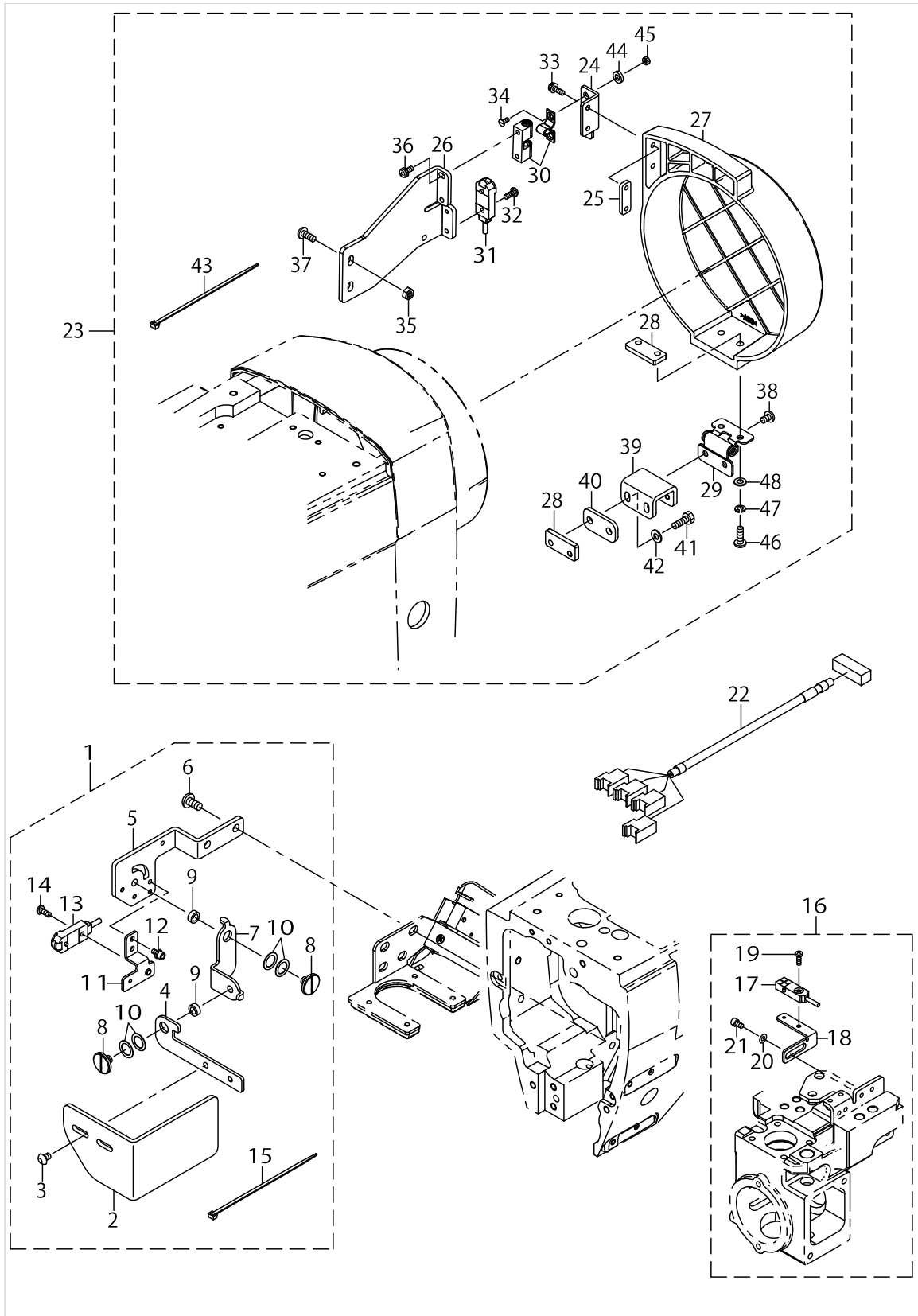
BOTTOM COVER COMPONENTS



BOTTOM COVER COMPONENTS

No.	Parts No.	Parts name	Remarks	Level	Cons	Qty
1	40126155	OIL_PAN				1
2	SK3482001SE	WOOD SCREW D=4.8 L=20				10

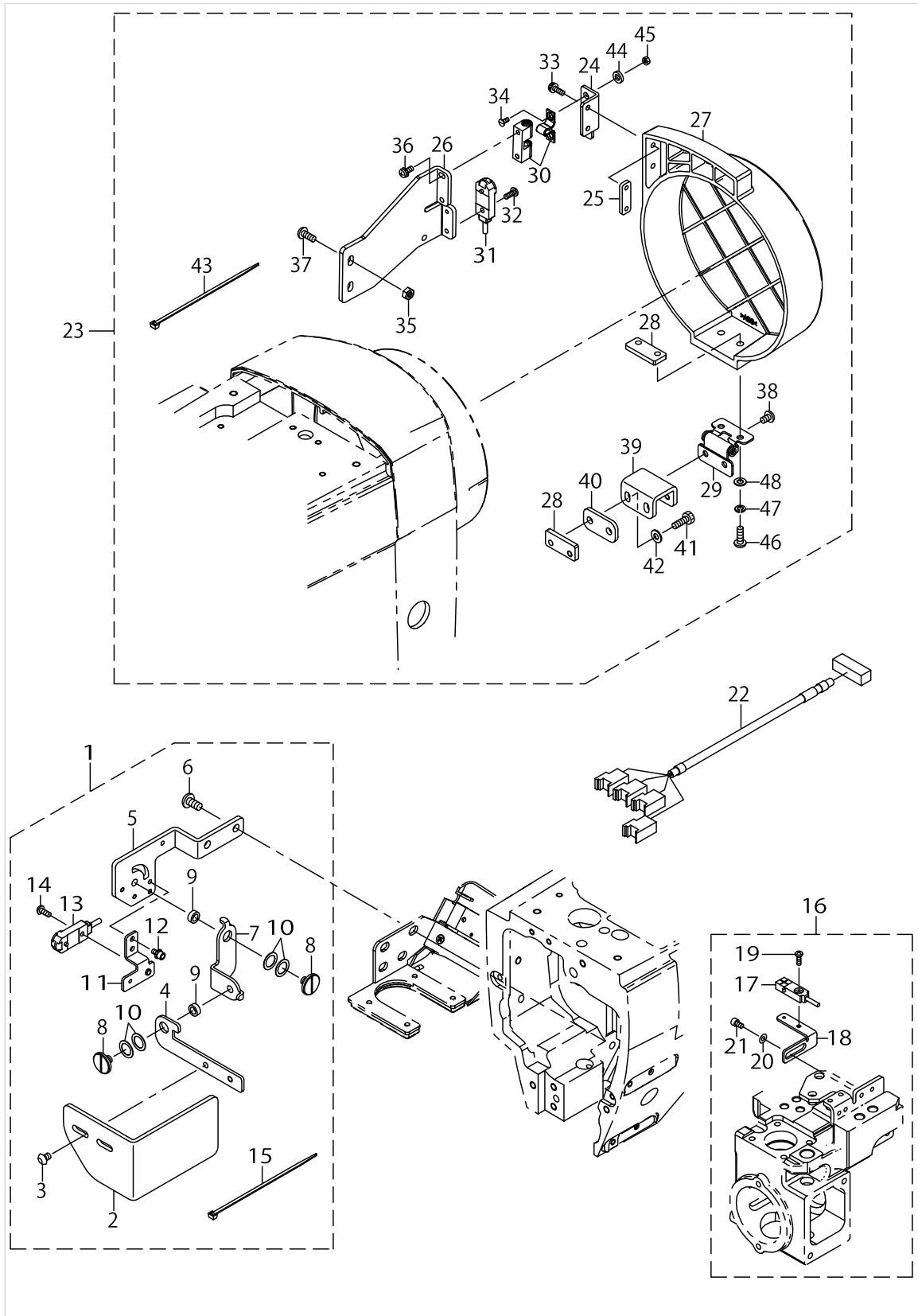
SMART DEVICE COMPONENTS(1)



SMART DEVICE COMPONENTS(1)

No.	Parts No.	Parts name	Remarks	Level	Cons	Qty
1	40193646	NEEDLE_COVER_ANZEN_ASM	FOR SMART DEVICE			1
2	40187872	NEEDLE_COVER_B	FOR SMART DEVICE	*		1
3	SM3040652TN	SCREW M4 L=6	FOR SMART DEVICE	*		2
4	40192428	COVER_BRACKET_C	FOR SMART DEVICE	*		1
5	40192427	COVER_BASE_PLATE_C	FOR SMART DEVICE	*		1
6	SM4051055SP	SCREW	FOR SMART DEVICE	*		2
7	40187874	ROTATE_PLATE_B	FOR SMART DEVICE	*		1
8	SM6050650TP	SCREW M5 L=6	FOR SMART DEVICE	*		2
9	40151304	WASHER	FOR SMART DEVICE	*		2
10	WZ0850302K0	WAVED WASHER 8.5X12.5X0.3	FOR SMART DEVICE	*		4
11	40192429	SENSOR_BRACKET	FOR SMART DEVICE	*		1
12	SL6030692TN	SCREW M3 L=6	FOR SMART DEVICE	*		2
13	40151318	PROXIMITY SENSOR ASSY A	FOR SMART DEVICE	*		1
14	SM4030801SN	SCREW M3 L=8	FOR SMART DEVICE	*		1
15	EA9500B0100	CABLE BAND	FOR SMART DEVICE	*		5
16	40193647	SLIDE_PLATE_ANZEN_2828_ASM	FOR SMART DEVICE			1
17	40151319	PROXIMITY SENSOR ASSY B	FOR SMART DEVICE	*		1
18	40172090	SLIDE_SENSOR_BRACKET_A_2828	FOR SMART DEVICE	*		1
19	SM4860801SC	SCREW M2.6 L=8	FOR SMART DEVICE	*		1
20	WP0330516SC	WASHER 3.3X8X0.5	FOR SMART DEVICE	*		2
21	SM6030502TP	SCREW M3X5	FOR SMART DEVICE	*		2
22	40193645	SAFETY SWITCH CODE ASSY	FOR SMART DEVICE			1
23	40193648	HAND_WHEEL_COVER_ANZEN_ASM	FOR SMART DEVICE			1
24	40151310	CATCHES_BRACKET	FOR SMART DEVICE	*		1
25	40151311	PLATE_NUT_M3	FOR SMART DEVICE	*		1
26	40193743	CATCHES_SENSOR_BRACKET_ES	FOR SMART DEVICE	*		1
27	40192419	HAND_WHEEL_COVER	FOR SMART DEVICE	*		1
28	40151315	PLATE_NUT	FOR SMART DEVICE	*		2
29	40151316	HINGE	FOR SMART DEVICE	*		1
30	40151317	BALL_CATCH	FOR SMART DEVICE	*		1
31	40151336	PROXIMITY SENSOR ASSY C	FOR SMART DEVICE	*		1
32	SM4030801SN	SCREW M3 L=8	FOR SMART DEVICE	*		1
33	SL4031081SC	SCREW M3 L=10	FOR SMART DEVICE	*		2
34	SM1850600SP	SCREW	FOR SMART DEVICE	*		2
35	NM6040001SC	NUT M4X0.7 TYPE1	FOR SMART DEVICE	*		2
36	SL4030881SC	SCREW M3 L=8	FOR SMART DEVICE	*		2
37	SM4041001SC	SCREW M4X0.7 L=10	FOR SMART DEVICE	*		2
38	SM4040601SC	SCREW M4X0.7 L=6	FOR SMART DEVICE	*		2
39	40192426	HAND_WHEEL_COVER_BRACKET_ES	FOR SMART DEVICE	*		1
40	40192433	HAND_WHEEL_COVER_BRACKET_SPESER	FOR SMART DEVICE	*		1
41	SM9041250SC	SCREW M4X0.7 L=12	FOR SMART DEVICE	*		2
42	WP0430801SC	WASHER M4	FOR SMART DEVICE	*		2
43	EA9500B0100	CABLE BAND	FOR SMART DEVICE	*		5
44	40068705	WASHER	FOR SMART DEVICE	*		2
45	NM6850001SC	NUT M2.5X0.45 TYPE1	FOR SMART DEVICE	*		2
46	SM4041255SP	SCREW M4 L=12	FOR SMART DEVICE	*		2
47	WS0410002KP	SPRING WASHER	FOR SMART DEVICE	*		2

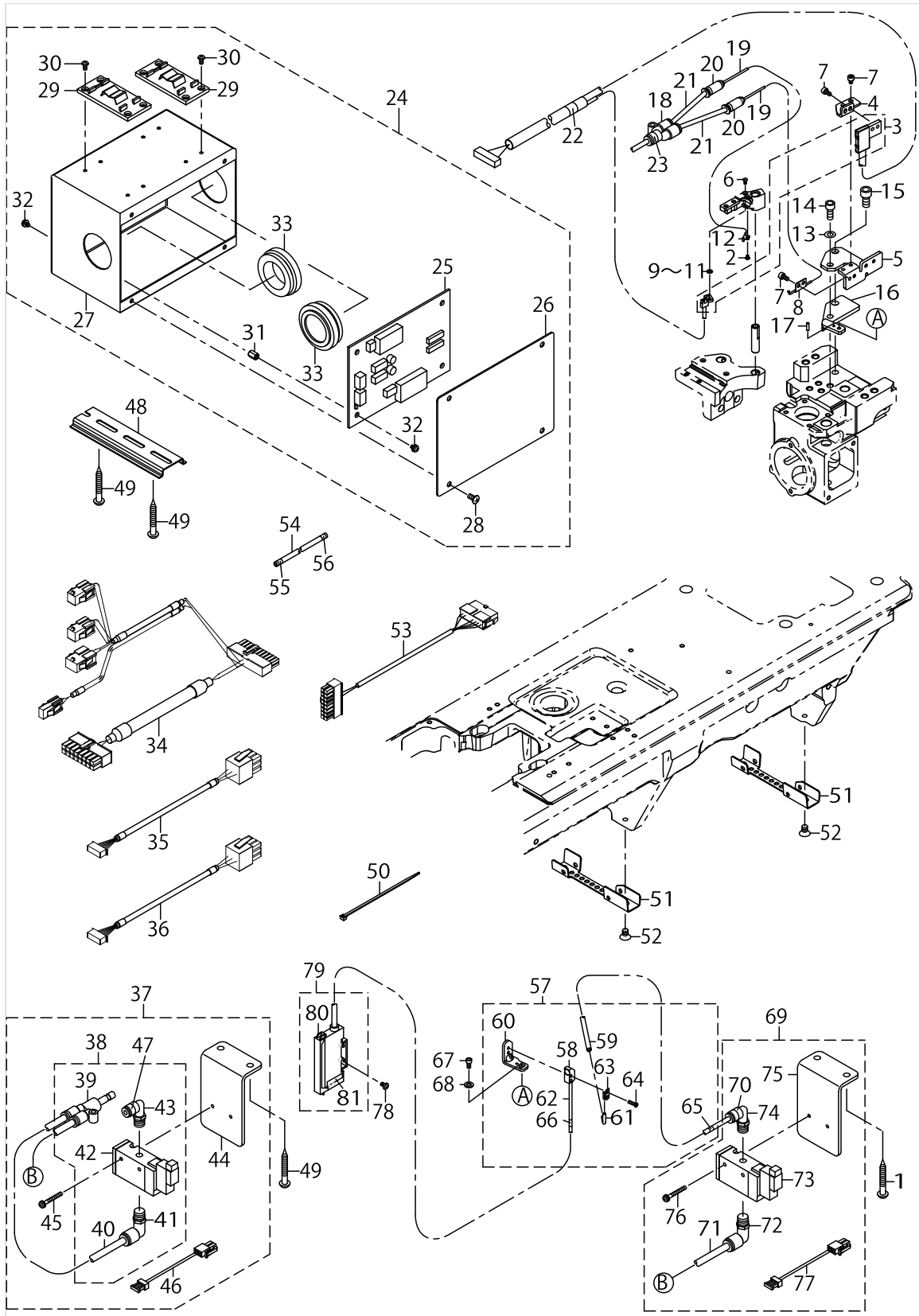
SMART DEVICE COMPONENTS(1)



SMART DEVICE COMPONENTS(1)

No.	Parts No.	Parts name	Remarks	Level	Cons	Qty
48	WP0430800SD	WASHER M4	FOR SMART DEVICE	*		2

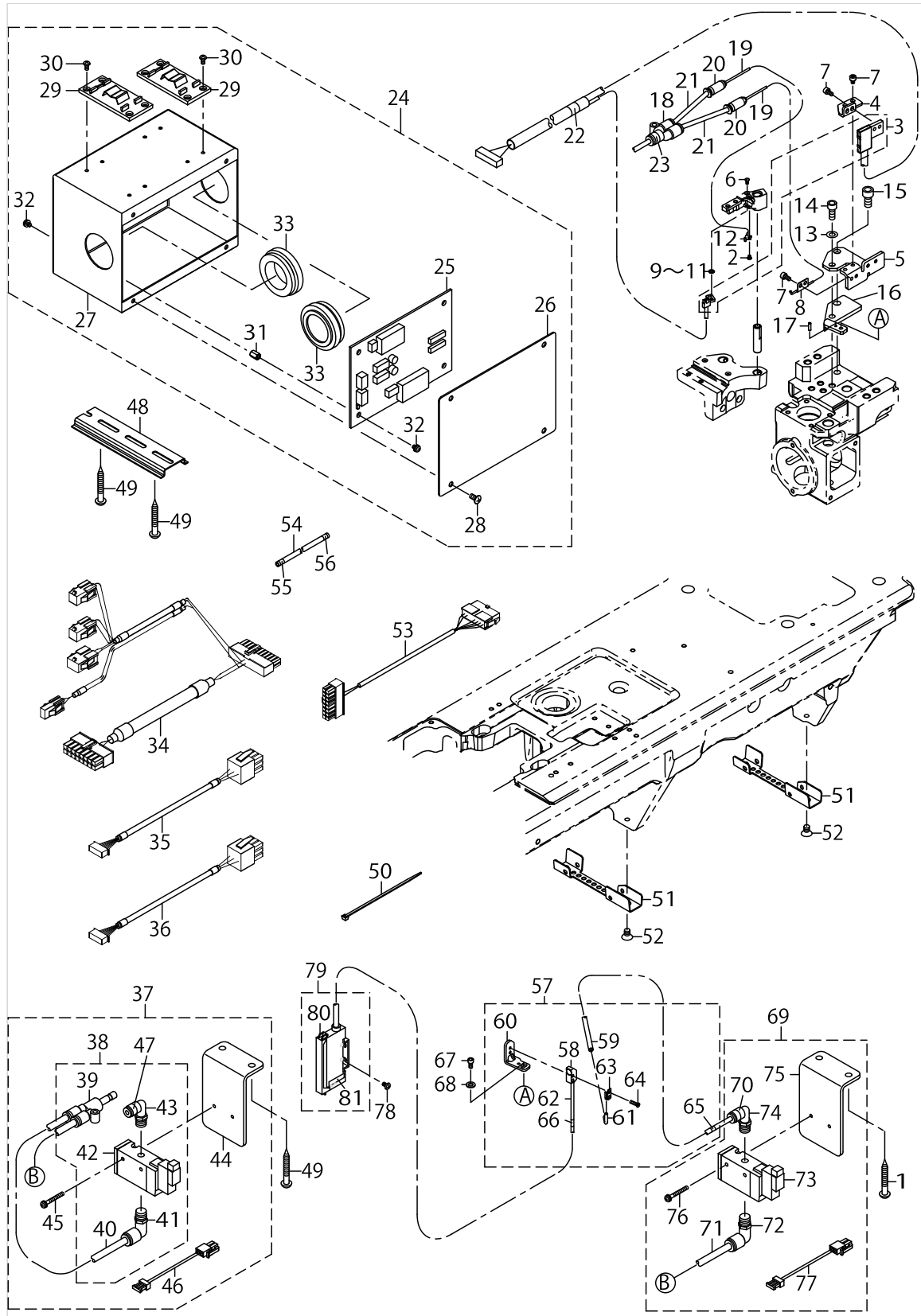
SMART DEVICE COMPONENTS (2)



SMART DEVICE COMPONENTS (2)

No.	Parts No.	Parts name	Remarks	Level	Cons	Qty
1	SK3452001SE	WOOD SCREW D=4.5 L=20	FOR SMART DEVICE			2
2	SS4060310SP	SCREW 3/32-56 L=2.5	FOR SMART DEVICE			1
3	40167135	LED-SENS UNIT2828 ASM	FOR SMART DEVICE			1
4	40162121	SENSOR_BASE_A02	FOR SMART DEVICE			1
5	40179292	SENSOR_PLATE_B02	FOR SMART DEVICE			1
6	SS2060510SP	SCREW 3/32-56 L=4.5	FOR SMART DEVICE			2
7	SM6030402TP	SCREW M3X0.5 L=4	FOR SMART DEVICE			6
8	40172084	PIPE_2828S_ASM	FOR SMART DEVICE			1
9	WP0280500SC	WASHER	SELECTIVE PARTS (FOR SMART DEVICE)			2
10	WP0280500SC	WASHER	SELECTIVE PARTS (FOR SMART DEVICE)			4
11	WP0280500SC	WASHER	SELECTIVE PARTS (FOR SMART DEVICE)			6
12	40177421	PIPE_2828L_ASM	FOR SMART DEVICE			1
13	WP0531000SD	WASHER M5	FOR SMART DEVICE			1
14	SM6051202TP	SCREW M5X0.8 L=12	FOR SMART DEVICE			1
15	SM6061202TP	SCREW M6 L=12	FOR SMART DEVICE			1
16	40177417	SENSOR_BASE_LU2828SS	FOR SMART DEVICE			1
17	PH0200082S0	PARALLEL PIN TYPE B 2X8	FOR SMART DEVICE			1
18	PJ308040002	QUICK JOINT	FOR SMART DEVICE			1
19	BT0180101EB	TUBE HOSE 1.8X1	FOR SMART DEVICE			0.6
20	PJ303040005	UNION	FOR SMART DEVICE			2
21	BT0400251EB	URETHANE TUBE BLACK 4X2.5	FOR SMART DEVICE			0.2
22	18035709	WIRE MARK (8)	FOR SMART DEVICE			2
23	18035006	CABLE MARK NO.1	FOR SMART DEVICE			1
24	40171399	CTL BOX ASSY	FOR SMART DEVICE			1
25	40171388	SD-CTL PCB ASSY	FOR SMART DEVICE	*		1
26	40167097	CTRL_BOX_COVER	FOR SMART DEVICE	*		1
27	40167098	CTRL_BOX	FOR SMART DEVICE	*		1
28	SM0040801SC	SCREW M4X8	FOR SMART DEVICE	*		4
29	40167094	DIN RAIL MOUNTING FOOT	FOR SMART DEVICE	*		2
30	SM4030601SC	SCREW M3X0.5 L=6	FOR SMART DEVICE	*		8
31	HX00418000D	SPACER	FOR SMART DEVICE	*		4
32	SL4030581SC	SCREW M3 L=5	FOR SMART DEVICE	*		8
33	HX00221000B	GROMMET	FOR SMART DEVICE	*		2
34	40167083	AE_SD_RELAY_CORD_ASSY	FOR SMART DEVICE			1
35	40171393	ENCODER RELAY CABLE ASSY	FOR SMART DEVICE			1
36	40171394	ENCODER EXTENTION CABLE ASSY	FOR SMART DEVICE			1
37	40188777	AIR BLOW SOLENOID VALVE ASM SD	FOR SMART DEVICE			1
38	40167088	AIR BLOW SOLENOID VALVE ASSY	FOR SMART DEVICE	*		1
39	PJ308060004	BRANCH UNION Y	FOR SMART DEVICE	*		1
40	BT0600401EB	URETHANE TUBE BLACK 6X4	FOR SMART DEVICE	*		1
41	PJ304065101	ELBOW UNION 6XPT1/8	FOR SMART DEVICE	*		1
42	PV135129000	3-PORT SOLENOID VALVE	FOR SMART DEVICE	*		1
43	PJ304045102	ELBOW UNION C	FOR SMART DEVICE	*		1
44	40105704	SOLENOID_INSTALLING_PLATE	FOR SMART DEVICE	*		1
45	SL4032591SC	SCREW M3 L=25	FOR SMART DEVICE	*		2
46	40167087	SOLENOID VALVE CONNECTER ASM.	FOR SMART DEVICE	*		1
47	18035105	WIRE MARK (2)	FOR SMART DEVICE	*		1

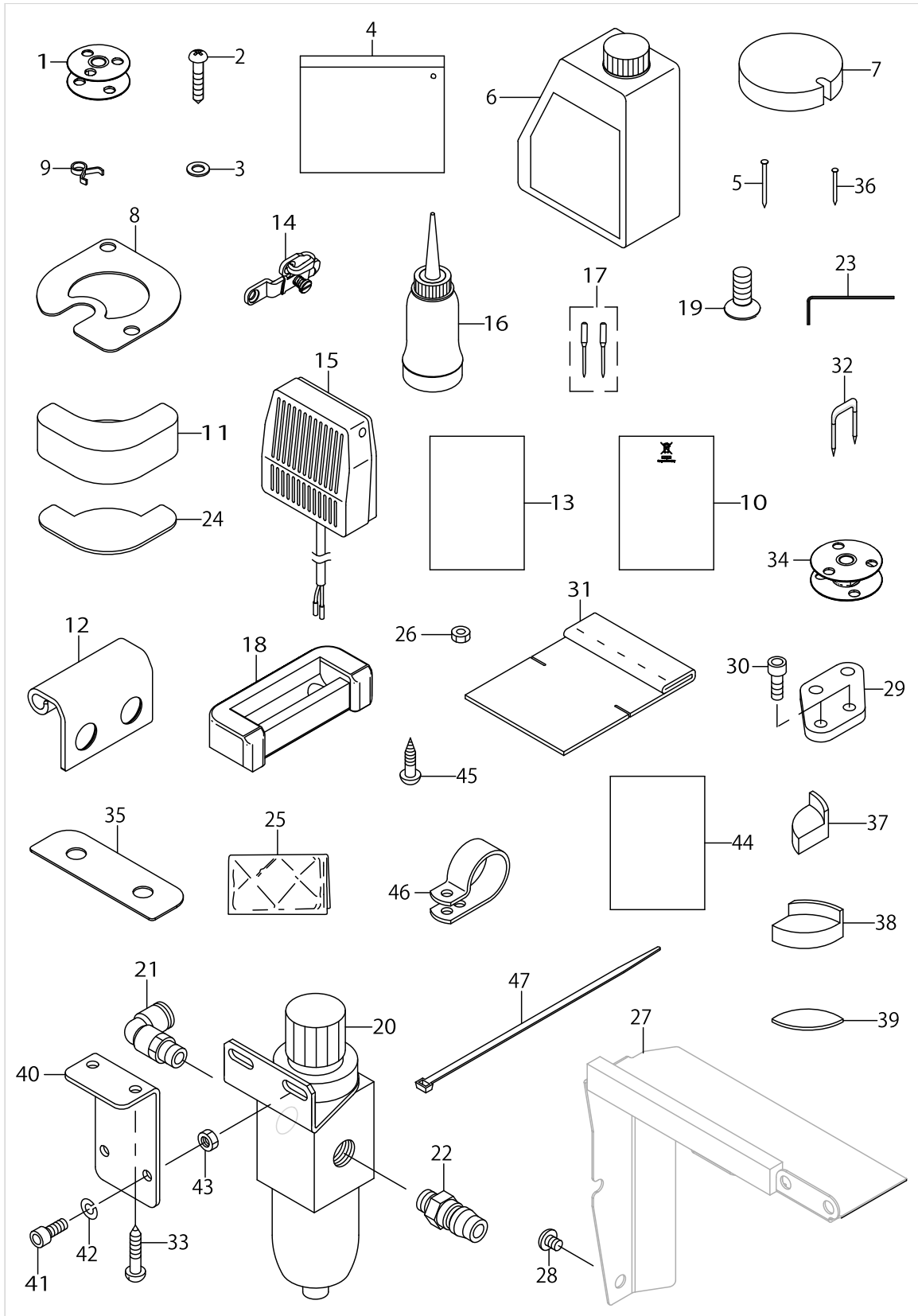
SMART DEVICE COMPONENTS (2)



SMART DEVICE COMPONENTS (2)

No.	Parts No.	Parts name	Remarks	Level	Cons	Qty
48	40167095	DIN RAIL	FOR SMART DEVICE			1
49	SK3452001SE	WOOD SCREW D=4.5 L=20	FOR SMART DEVICE			4
50	EA9500B0100	CABLE BAND	FOR SMART DEVICE			30
51	40166321	WIRE PLATE	FOR SMART DEVICE			2
52	SM1050801SC	SCREW M5X0.8 L=8	FOR SMART DEVICE			4
53	40198296	SD-CTL EXTENSION CODE ASSY	FOR SMART DEVICE			1
54	BT0400251EB	URETHANE TUBE BLACK 4X2.5	FOR SMART DEVICE			2
55	18035006	CABLE MARK NO.1	FOR SMART DEVICE			1
56	18035105	WIRE MARK (2)	FOR SMART DEVICE			1
57	40188788	AE SENSOR UNIT 2828	FOR SMART DEVICE			1
58	GAE10107000	FIBER SENSOR	FOR SMART DEVICE	*		1
59	BT0400251EB	URETHANE TUBE BLACK 4X2.5	FOR SMART DEVICE	*		2.2
60	40166195	SENSOR_BRACKET_28	FOR SMART DEVICE	*		1
61	40166189	BLOW_PIPE	FOR SMART DEVICE	*		1
62	BT0400251EB	URETHANE TUBE BLACK 4X2.5	FOR SMART DEVICE	*		1.2
63	40166190	PIPE_BRACKET	FOR SMART DEVICE	*		1
64	SS7060810SP	SCREW 3/32-56 L= 8.0	FOR SMART DEVICE	*		2
65	18036202	WIRE MARK (13)	FOR SMART DEVICE	*		1
66	18036400	WIRE MARK (15)	FOR SMART DEVICE	*		1
67	SM6030602TP	SCREW M3X0.5 L=6	FOR SMART DEVICE			1
68	WP0330516SC	WASHER 3.3X8X0.5	FOR SMART DEVICE			1
69	40188776	AIR BLOW SOLENOID VALVE ASM AE	FOR SMART DEVICE			1
70	18036202	WIRE MARK (13)	FOR SMART DEVICE	*		1
71	BT0600401EB	URETHANE TUBE BLACK 6X4	FOR SMART DEVICE	*		1
72	PJ304065101	ELBOW UNION 6XPT1/8	FOR SMART DEVICE	*		1
73	PV135129000	3-PORT SOLENOID VALVE	FOR SMART DEVICE	*		1
74	PJ304045102	ELBOW UNION C	FOR SMART DEVICE	*		1
75	40105704	SOLENOID_INSTALLING_PLATE	FOR SMART DEVICE	*		1
76	SL4032591SC	SCREW M3 L=25	FOR SMART DEVICE	*		2
77	40162207	SOLENOID VALVE CONNECTOR ASM	FOR SMART DEVICE	*		1
78	SM4030501SC	SCREW M3X0.5 L=5	FOR SMART DEVICE			2
79	40188876	SENSOR AMP LIFIER A SET ASM.	FOR SMART DEVICE			1
80	40102071	SENSOR AMP LIFIER A ASM.	FOR SMART DEVICE	*		1
81	18036400	WIRE MARK (15)	FOR SMART DEVICE	*		1

ACCESSORIES PARTS COMPONENTS



ACCESSORIES PARTS COMPONENTS

No.	Parts No.	Parts name	Remarks	Level	Cons	Qty
1	40147913	BOBBIN	FOR STANDARD			1
2	SK3452501SE	WOOD SCREW D=4.5 L=25				4
3	WP0550800SP	WASHER 5.5X10X0.8				4
4	40193742	ACCESSORY BAG ASM				1
5	10539906	SET NAIL				6
6	40102087	JUKI_CORPORATION_GENUINE_OIL_7				1
7	40126405	OIL_FILTER				1
8	40126267	FELT HOLDER				1
9	23629306	PIPE STOPPER A				2
10	CM600100201	WEEE INFORMATION SHEET	FOR JE			1
11	40151800	CUSHION_RUBBER				2
12	40125869	HINGE				2
13	40142430	DECLARATION OF INCORPORATION (LU2800)	FOR JE			1
14	40034675	THREAD_GUIDE_ASM_E				1
15	40143553	KNEE_SW_ASM.				1
16	B91210120A0	OILER ASM.				1
17	MC321001402	NEEDLE 134-35 #140-2				1
18	40164521	HINGE RUBBER				2
19	B1516210D00	SCREW				4
20	PF055107000	FILTER REGULATOR	FOR SMART DEVICE			1
21	PJ304065101	ELBOW UNION 6XPT1/8	FOR SMART DEVICE			1
22	PJ025100003	PLUG	FOR SMART DEVICE			1
23	40079298	WRENCH				1
24	10740900	RUBBER				8
25	40048536	HEAD_COVER				1
26	NM6040001SC	NUT M4X0.7 TYPE1				1
27	40149045	OIL_SHIELD_PLATE_ASSY				1
28	SM4050655SP	SCREW M5 L=6				4
29	40112214	EDGE_GUIDE_FITTING_PLATE				1
30	SM6051402TP	SCREW M5X0.8 L=14				2
31	40133730	OIL FILTER				1
32	MAO11532000	CORD STAPLE				3
33	SK3482001SE	WOOD SCREW D=4.8 L=20	FOR SMART DEVICE			2
34	40166228	BOBBIN_XXL_A	FOR SMART DEVICE			1
35	40163914	HINGE SPACER				2
36	22926208	NAIL				2
37	40151803	RUBBER_CUSHION_LEFT				1
38	40151804	RUBBER_CUSHION_RIGHT				1
39	40151805	RUBBER_CUSHION_SHEET				4
40	13860408	REGULATOR BRACKET	FOR SMART DEVICE			1
41	SM6051202TP	SCREW M5X0.8 L=12	FOR SMART DEVICE			2
42	WS0510002KN	SPRING WASHER M5	FOR SMART DEVICE			2
43	NM6050001SP	NUT M5	FOR SMART DEVICE			2
44	40196468	SAFETY_INSTRUCTION_MANUAL				1
45	SK3482001SE	WOOD SCREW D=4.8 L=20	FOR SMART DEVICE			1
46	HX00150000M	CABLE CLAMP	FOR SMART DEVICE			1
47	EA9500B0200	CABLE BAND 150	FOR SMART DEVICE			2

HOW TO MAKE USE OF THIS PARTS LIST

- 1.As to "#01" and "#02" refer to the "Note" given at the bottom of the respective pages.
- 2.Codes on the "Qty" column
 - Each numeral indicates the number of parts required.
 - "0.1" and "2.5" indicate the length (in meters) of the respective parts.
- 3.Parentheses mean that the corresponding part is a subpart that constructs an assembly part.
- 4.Dotted lines on the Figures indicate assembly parts.
- 5.As to the parts with marks of "☆"(Consumable parts)and "◎"(optional parts)on the respective parts, it is recommended to prepare spares.

1. リストページの#01、#02の印は、ページ下の"注記"の説明を参照下さい。
2. 数量欄の数字は、個数を表し、0.1、2.5等の数値は、長さ（単位メートル）を表します。
3. 数量欄の（ ）は、組部品を構成している子部品であることを意味します。
4. イラストページの-----枠は、組構成であることを意味します。
5. リストページの"☆"（消耗部品）、"◎"（オプション部品）の印が付いた部品は、予備を準備しておくことをお勧めします。

NUMERICAL INDEX OF PARTS

PART NO	PAGE	REF NO.	PART NO	PAGE	REF NO.	PART NO	PAGE	REF NO.
10320109	42	4	22921506	46	33	40036167	48	24
10539906	64	5	22921704	46	29	40038494	26	26
10546901	6	42	22926208	64	36	40048536	64	25
10697506	42	6	22935308	48	12	40068705	56	44
10711653	22	113	22945703	42	22	40069741	48	17
10712552	20	74	22945802	42	21	40075542	16	35
10721504	6	30	22956205	38	2	40075547	16	39
10740900	64	24	22957104	38	3	40075548	16	40
11015906	50	69	22957203	38	4	40079298	64	23
12210803	50	74	22963409	42	24	40079899	16	28
13142609	48	66	23628357	48	23	40079900	16	29
13142609	50	66	23629306	64	9	40079902	16	31
13399209	24	8	23629405	48	33	40079903	16	32
13411509	24	24	23630007	48	76	40079909	16	36
13718507	46	16	23630007	50	76	40079912	16	41
13737804	32	8	23630106	48	72	40085790	52	8
13737804	38	17	23630106	50	72	40085791	52	9
13765607	48	13	23630403	48	28	40085792	52	10
13860408	64	40	23630502	48	29	40085793	52	11
18035006	60	55	23630601	48	31	40085796	52	16
18035006	62	55	23630650	48	27	40086018	32	23
18035105	60	56	26017400	28	71	40090058	18	17
18035105	62	56	26018705	28	62	40096325	52	14
18035709	60	22	26231902	38	33	40096326	52	17
18036202	62	70	26231902	50	77	40096327	52	19
18036400	62	81	26260307	46	3	40100086	20	48
21387709	12	53	26260406	46	4	40101713	48	47
21387907	12	55	26260505	46	6	40101714	50	53
21470505	38	18	26260802	46	8	40101715	48	43
22606206	8	31	26261008	46	9	40101716	48	44
22606305	8	32	26261503	46	11	40101717	48	45
22606404	8	37	40010435	24	27	40101719	48	41
22607600	8	33	40011144	46	27	40102071	62	80
22607709	8	34	40011902	6	28	40102087	64	6
22607808	8	35	40011902	24	26	40102249	48	42
22607907	8	36	40012499	38	28	40102261	4	72
22617807	42	11	40013595	48	36	40105704	60	75
22618706	42	5	40016878	22	110	40105704	62	75
22901805	4	75	40021606	38	43	40106576	52	31
22904106	26	35	40026326	32	9	40106579	52	26
22904155	20	52	40028294	48	21	40112087	6	1
22904155	26	34	40028877	4	65	40112091	6	21
22921308	46	32	40032804	48	34	40112092	6	32
22921407	46	31	40034468	32	20	40112094	6	37
22921506	42	14	40034675	64	14	40112106	6	18

NUMERICAL INDEX OF PARTS

PART NO	PAGE	REF NO.	PART NO	PAGE	REF NO.	PART NO	PAGE	REF NO.
40112152	8	7	40126223	18	34	40135475	14	8
40112214	64	29	40126267	64	8	40135498	38	12
40112240	10	15	40126311	46	14	40135816	30	100
40112246	48	15	40126321	6	12	40135897	38	26
40112252	14	15	40126338	18	33	40135955	40	50
40112270	8	11	40126339	26	28	40137971	44	2
40112272	8	10	40126351	14	1	40138020	30	101
40112274	6	10	40126354	46	10	40138418	10	43
40112312	6	16	40126357	26	12	40138419	10	44
40112318	48	14	40126359	28	66	40138420	10	45
40112320	48	1	40126360	14	7	40138421	10	46
40113224	12	61	40126372	10	25	40138422	10	47
40116455	50	48	40126382	12	52	40138423	12	48
40116457	50	50	40126390	18	32	40139043	10	30
40116458	50	51	40126391	14	6	40141178	24	2
40116459	50	52	40126401	26	10	40142430	64	13
40123252	26	29	40126405	64	7	40143077	6	27
40123321	18	30	40126549	46	23	40143082	10	3
40123340	10	20	40126550	46	12	40143083	6	9
40123345	20	72	40126582	50	59	40143084	10	27
40123345	28	67	40126594	46	5	40143087	28	50
40123346	28	70	40127041	8	8	40143088	6	13
40123414	18	39	40127056	2	24	40143185	12	49
40123547	26	16	40127446	50	49	40143188	12	50
40123626	26	14	40130277	6	17	40143221	8	13
40123629	28	68	40130593	38	15	40143553	64	15
40123666	26	1	40131616	38	41	40143581	12	51
40125843	26	13	40131617	38	29	40145547	18	42
40125844	46	25	40131619	30	98	40147912	16	1
40125851	46	7	40131621	26	4	40147913	16	21
40125854	18	9	40131625	2	19	40147913	64	1
40125856	26	22	40131631	26	30	40147915	14	3
40125857	26	25	40131633	38	10	40147918	2	21
40125869	64	12	40131635	38	11	40147926	38	46
40125876	20	71	40131636	38	6	40147927	38	39
40125927	46	13	40131637	38	14	40147928	38	42
40125928	46	24	40131638	38	8	40147929	38	45
40125929	48	35	40131640	38	7	40147930	38	5
40125930	6	29	40131641	44	1	40147932	40	57
40125935	28	65	40133730	64	31	40147933	40	58
40125950	6	19	40134532	6	41	40147934	40	59
40126151	26	15	40134545	6	40	40147935	40	60
40126155	54	1	40134967	40	49	40147936	40	61
40126160	18	31	40135472	14	9	40147937	40	52
40126221	4	49	40135473	14	4	40147938	40	54

NUMERICAL INDEX OF PARTS

PART NO	PAGE	REF NO.	PART NO	PAGE	REF NO.	PART NO	PAGE	REF NO.
40147944	2	25	40151319	56	17	40169662	10	2
40148037	16	37	40151336	56	31	40169664	10	5
40149030	16	23	40151800	64	11	40169665	10	34
40149032	16	25	40151803	64	37	40169666	10	32
40149033	16	26	40151804	64	38	40169667	10	16
40149034	16	30	40151805	64	39	40169668	10	9
40149035	16	33	40152022	46	35	40169669	12	56
40149036	16	34	40154832	28	94	40169671	10	19
40149037	16	38	40154833	28	92	40169672	12	57
40149043	38	27	40160242	6	38	40169673	10	11
40149044	44	4	40162121	60	4	40169675	18	4
40149045	64	27	40162125	40	63	40169676	18	5
40149047	16	3	40162128	2	26	40169678	18	2
40149115	20	87	40162207	62	77	40169681	18	16
40149115	28	80	40163914	64	35	40169682	20	51
40149116	20	88	40164521	64	18	40169683	20	67
40149116	28	81	40166189	62	61	40169684	20	68
40149117	20	89	40166190	62	63	40169685	20	85
40149117	28	82	40166195	62	60	40169686	20	75
40149118	20	90	40166196	16	24	40169686	26	5
40149118	28	83	40166228	16	42	40169687	20	64
40149120	20	91	40166228	64	34	40169687	24	5
40149120	26	17	40166321	62	51	40169688	26	2
40149121	20	92	40167015	40	62	40169689	2	46
40149121	26	18	40167083	60	34	40169690	28	89
40149122	20	93	40167087	60	46	40169693	28	84
40149122	26	19	40167088	60	38	40169697	26	23
40149123	20	94	40167094	60	29	40169698	26	24
40149123	26	20	40167095	62	48	40169706	48	40
40149125	22	95	40167097	60	26	40169707	50	78
40149125	28	76	40167098	60	27	40171388	60	25
40149126	22	96	40167135	60	3	40171393	60	35
40149126	28	77	40169398	36	8	40171394	60	36
40149127	22	97	40169642	2	47	40171399	60	24
40149127	28	78	40169647	6	4	40171403	8	19
40149128	22	98	40169649	8	20	40171574	18	23
40149128	28	79	40169650	8	21	40171795	28	73
40150131	4	77	40169651	8	29	40171796	28	74
40151304	56	9	40169652	8	24	40171797	28	75
40151310	56	24	40169653	8	25	40171825	30	95
40151311	56	25	40169654	8	26	40172084	60	8
40151315	56	28	40169656	8	1	40172090	56	18
40151316	56	29	40169657	8	3	40172374	2	3
40151317	56	30	40169658	8	4	40172375	4	71
40151318	56	13	40169659	8	2	40172386	36	4

NUMERICAL INDEX OF PARTS

PART NO	PAGE	REF NO.	PART NO	PAGE	REF NO.	PART NO	PAGE	REF NO.
40172415	18	43	40188876	62	79	40192367	26	33
40172420	36	5	40189275	10	1	40192368	32	12
40172422	36	6	40189277	26	6	40192371	42	12
40172423	36	7	40189282	26	7	40192372	42	16
40173450	36	1	40189290	26	11	40192373	42	13
40173451	36	2	40190399	2	29	40192374	42	23
40173459	36	3	40191231	18	36	40192375	42	25
40174312	42	15	40191289	2	43	40192383	42	33
40174385	4	55	40191363	42	3	40192384	46	1
40174408	36	13	40191364	42	2	40192385	46	15
40174550	20	69	40191365	42	19	40192386	18	35
40174551	20	70	40191366	42	1	40192387	18	27
40174552	28	85	40191502	34	5	40192388	18	40
40174553	28	86	40191503	34	6	40192390	6	14
40174557	8	22	40191580	24	1	40192392	18	18
40174558	8	23	40191650	2	9	40192394	32	6
40174559	8	27	40191752	18	20	40192395	32	11
40174560	8	28	40191756	2	8	40192396	32	15
40174580	36	10	40191846	2	31	40192397	32	21
40175585	36	14	40191887	18	28	40192398	32	18
40176440	30	97	40192310	22	102	40192399	26	27
40176628	18	7	40192320	52	1	40192400	32	19
40176783	12	54	40192321	52	5	40192401	32	3
40177417	60	16	40192323	52	12	40192402	2	38
40177421	60	12	40192324	52	3	40192403	2	41
40178095	18	3	40192325	52	25	40192404	2	11
40178171	18	8	40192328	52	2	40192405	22	103
40178188	8	41	40192329	52	6	40192406	22	104
40178330	10	18	40192330	52	4	40192407	22	101
40178995	28	87	40192331	52	7	40192408	18	37
40178996	28	88	40192332	52	13	40192409	6	7
40179292	60	5	40192341	2	16	40192411	24	7
40181687	6	36	40192342	2	4	40192412	32	14
40182474	6	35	40192347	6	2	40192414	52	30
40182475	6	33	40192348	18	46	40192419	56	27
40182476	6	31	40192352	20	86	40192426	56	39
40182477	6	26	40192353	20	50	40192427	56	5
40184909	16	27	40192354	20	49	40192428	56	4
40186360	2	32	40192357	20	84	40192429	56	11
40186642	12	58	40192359	22	111	40192433	56	40
40187872	56	2	40192362	22	105	40192443	2	37
40187874	56	7	40192363	24	6	40192444	2	40
40188776	62	69	40192364	24	12	40192445	24	19
40188777	60	37	40192365	24	17	40192446	22	107
40188788	62	57	40192366	24	10	40192449	32	1

NUMERICAL INDEX OF PARTS

PART NO	PAGE	REF NO.	PART NO	PAGE	REF NO.	PART NO	PAGE	REF NO.
40192450	18	45	B1438512B00	8	30	EA9500B0200	64	47
40192451	24	14	B1516210D00	64	19	GAE10107000	62	58
40192453	38	20	B1639051000	10	14	HK016510040	42	30
40192454	42	29	B183924500B	22	100	HK034610020	44	5
40192455	42	28	B1843563000	48	58	HK034610040	38	35
40192463	42	32	B1843563000	50	58	HX00065000C	4	70
40192464	4	56	B185351200E	38	1	HX000960000	2	36
40192502	2	35	B255728000A	10	38	HX00150000A	4	62
40192570	34	7	B255728000B	10	39	HX00150000A	24	29
40192579	4	58	B255728000C	10	40	HX00150000D	4	63
40192946	46	2	B255728000D	10	41	HX00150000M	4	64
40192972	2	1	B255728000E	10	42	HX00150000M	50	54
40192973	2	6	B31375270A0	42	9	HX00150000M	64	46
40192974	2	13	B3538112000	10	23	HX00221000B	60	33
40192975	2	17	B91210120A0	64	16	HX00292000A	4	60
40193039	18	29	BT0180101EB	60	19	HX00339000E	2	33
40193170	18	22	BT0400251EB	60	62	HX00418000D	60	31
40193552	46	28	BT0400251EB	62	62	MAO11532000	64	32
40193553	46	30	BT0600401EB	60	71	MC321001400	8	40
40193633	18	47	BT0600401EB	62	71	MC321001402	64	17
40193634	22	99	CM300200001	4	73	NM6040001SC	56	35
40193635	24	4	CM600100101	4	76	NM6040001SC	64	26
40193637	18	6	CM600100201	64	10	NM6040002SC	52	27
40193638	18	1	CQ202000000	20	83	NM6050001SE	52	24
40193645	56	22	CQ202000000	26	48	NM6050001SP	64	43
40193646	56	1	CQ202000000	28	48	NM6050003SC	50	60
40193647	56	16	CQ202000000	50	68	NM6850001SC	56	45
40193648	56	23	CQ252000000	8	16	NS6110310SP	38	21
40193670	18	38	CQ252000000	20	79	NS6110310SP	42	27
40193742	64	4	CQ303000000	48	73	NS6110310SP	48	63
40193743	56	26	CQ303000000	50	73	NS6110310SP	50	63
40193937	24	23	CS1000881TP	32	16	NS6680410SP	28	63
40194911	18	12	CS1501181TP	28	90	PF055107000	64	20
40195126	18	19	CS1701181TP	8	17	PH0200082S0	60	17
40195292	16	22	D1231555B00	10	28	PJ025100003	64	22
40196400	24	21	D1231555B00	26	31	PJ303040005	60	20
40196468	64	44	D2112555B00	4	61	PJ304045102	60	74
40198201	34	8	E2613700000	18	26	PJ304045102	62	74
40198296	62	53	EA9500B0000	4	68	PJ304065101	60	72
B111105100B	2	23	EA9500B0100	36	15	PJ304065101	62	72
B1111563000	2	27	EA9500B0100	42	31	PJ304065101	64	21
B1223771000	18	15	EA9500B0100	50	56	PJ308040002	60	18
B125578100A	26	32	EA9500B0100	56	43	PJ308060004	60	39
B1310055000	12	59	EA9500B0100	62	50	PS0300142KH	2	14
B1314055000	12	60	EA9500B0200	4	69	PV135129000	60	73

NUMERICAL INDEX OF PARTS

PART NO	PAGE	REF NO.	PART NO	PAGE	REF NO.	PART NO	PAGE	REF NO.
PV135129000	62	73	SL4041091SC	50	55	SM4050855SP	34	2
RC0150001KP	20	53	SL6030692TN	56	12	SM4051001SN	42	34
RC0150001KP	26	37	SL6040892TN	2	42	SM4051055SP	2	15
RC0560711KP	14	2	SL6041092TN	24	22	SM4051055SP	56	6
RC0560711KP	46	17	SL6041492TN	18	25	SM4051405SE	52	23
RC0650811KP	28	49	SL6041492TN	24	15	SM4055501SC	2	18
RC0740816K0	10	37	SL6041492TN	32	2	SM4860801SC	56	19
RC2400002KP	10	36	SL6051092TN	48	38	SM5030801SC	24	20
RE0300000K0	40	53	SL6051292TN	28	72	SM6030402TP	60	7
RE0500000K0	10	13	SL6051492TN	32	4	SM6030502TP	56	21
RE0600000K0	18	13	SL6052092TN	6	5	SM6030602TP	38	23
RE1200000K0	10	29	SL6052092TN	20	73	SM6030602TP	62	67
RE1200000K0	26	38	SL6052092TN	24	13	SM6031202TP	46	20
RO060150100	2	5	SM0030601SC	46	18	SM6031202TP	48	46
RO098240100	48	37	SM0040801SC	60	28	SM6040502TP	10	22
SB108000600	10	35	SM0051001SC	46	34	SM6040602TP	2	39
SB108002400	6	39	SM1030601SN	38	47	SM6040602TP	10	21
SB112000200	18	21	SM1040750TP	2	48	SM6040650TP	8	9
SB112000200	24	16	SM1040750TP	4	48	SM6040650TP	10	24
SB112000200	32	5	SM1050801SC	62	52	SM6040650TP	28	69
SB117000700	28	51	SM1051052TN	2	30	SM6040650TP	38	36
SB120001800	6	6	SM1061201SN	12	63	SM6040652TP	34	3
SB120001800	10	8	SM1850600SP	56	34	SM6040660TP	18	11
SB125000600	20	58	SM3040652TN	56	3	SM6040802TP	14	11
SB30800140A	38	32	SM3061052TP	20	62	SM6040802TP	38	25
SD0500726TP	38	16	SM4030501SC	62	78	SM6040802TP	48	16
SD0640322TP	12	62	SM4030601SC	60	30	SM6040860TP	46	19
SD0650321TP	38	22	SM4030801SN	56	32	SM6041002TP	38	19
SD0800329TP	38	24	SM4040601SC	56	38	SM6041050SN	10	4
SD1021251SP	26	21	SM4040655SP	2	50	SM6041202TP	38	30
SK3452001SE	60	49	SM4040655SP	4	50	SM6041802TP	50	67
SK3452001SE	62	49	SM4040655SP	22	106	SM6050650TP	56	8
SK3452501SE	64	2	SM4040655SP	34	1	SM6051000SP	20	60
SK3482001SE	54	2	SM4040655SP	38	34	SM6051202TP	10	6
SK3482001SE	64	45	SM4040855SP	4	66	SM6051202TP	60	14
SL4030581SC	60	32	SM4040855SP	48	22	SM6051202TP	64	41
SL4030881SC	56	36	SM4041001SC	56	37	SM6051402TP	64	30
SL4031081SC	56	33	SM4041201SC	52	29	SM6061202TP	38	38
SL4031291SC	22	109	SM4041255SP	24	3	SM6061202TP	60	15
SL4031691SC	22	108	SM4041255SP	56	46	SM6061402TP	28	61
SL4032591SC	60	76	SM4042501SC	52	28	SM6061602TP	28	52
SL4032591SC	62	76	SM4050501SC	8	12	SM6061802TP	10	31
SL4040881SC	4	59	SM4050655SP	2	57	SM6061802TP	28	99
SL4041091SC	2	67	SM4050655SP	4	57	SM6061802TP	30	99
SL4041091SC	4	67	SM4050655SP	64	28	SM6061802TP	50	61

NUMERICAL INDEX OF PARTS

PART NO	PAGE	REF NO.	PART NO	PAGE	REF NO.	PART NO	PAGE	REF NO.
SM6062002TP	20	63	SM80608A2TP	20	61	WP0550800SP	64	3
SM6062502TP	28	93	SM80608A2TP	28	59	WP0612066SP	14	10
SM6850400SP	40	51	SM80608A2TP	32	7	WP0740516SP	14	5
SM7040550SP	42	18	SM8080812TP	6	23	WP0740516SP	26	64
SM8030312TP	40	48	SM9041250SC	56	41	WP0740516SP	28	64
SM8030412TP	30	96	SQ2050452MZ	50	57	WP0820516SP	6	24
SM8040412TP	2	22	SS1090520TP	40	56	WP0820516SP	18	14
SM8040412TP	24	9	SS2060310SP	8	14	WP1612616SE	52	15
SM8040412TP	28	54	SS2060510SP	60	6	WS0410002KP	56	47
SM8040612TP	14	12	SS3090710TP	42	10	WS0451040KP	46	26
SM8050412TP	6	15	SS4060310SP	60	2	WS0510002KN	52	21
SM8050412TP	10	33	SS4110615SP	42	8	WS0510002KN	64	42
SM8050412TP	24	28	SS4110815SP	42	26	WZ0850302K0	56	10
SM8050412TP	32	17	SS6090580TP	38	55			
SM8050412TP	48	39	SS6090580TP	40	55			
SM8050502TP	46	21	SS6110610TP	28	60			
SM8050512TP	28	91	SS7060810SP	62	64			
SM8050512TP	32	10	SS7090910TP	8	5			
SM8050612TP	14	14	SS8080410TP	8	15			
SM8050612TP	18	10	SS8110422TP	26	39			
SM8050612TP	44	3	SS8110422TP	38	44			
SM80506A2TP	10	26	SS8111010TP	12	64			
SM80506A2TP	20	59	SS8660610TP	26	36			
SM80506A2TP	28	57	SV4030802SN	36	11			
SM80506A2TP	38	37	TA0500301R0	8	39			
SM8050812TP	6	20	TA0620504R0	8	38			
SM8050812TP	28	56	TA1030402R0	4	52			
SM8050842TP	28	55	TA1250406R0	4	53			
SM8050852TP	36	12	TA1650406R0	4	54			
SM8051002TP	46	36	WP0280500SC	60	11			
SM8060552TP	20	66	WP0330516SC	56	20			
SM8060552TP	24	25	WP0330516SC	62	68			
SM8060612TP	6	22	WP0371036SD	8	6			
SM8060612TP	8	18	WP0430800MZ	42	17			
SM8060612TP	14	13	WP0430800SD	58	48			
SM8060612TP	32	22	WP0430801SC	56	42			
SM80606A2TP	10	65	WP0450000SD	22	112			
SM80606A2TP	12	65	WP0450000SD	34	4			
SM80606A2TP	20	65	WP0450000SD	38	31			
SM80606A2TP	28	58	WP0450801SP	46	22			
SM8060812TP	6	25	WP0450846SP	48	20			
SM8060812TP	10	10	WP0501016SD	24	30			
SM8060812TP	38	9	WP0501016SD	42	7			
SM80608A2TP	6	11	WP0531000SD	60	13			
SM80608A2TP	18	61	WP0531001SC	52	22			