

MODEL : MF-7900D SERIES

List No : 1619-02

# PARTS LIST

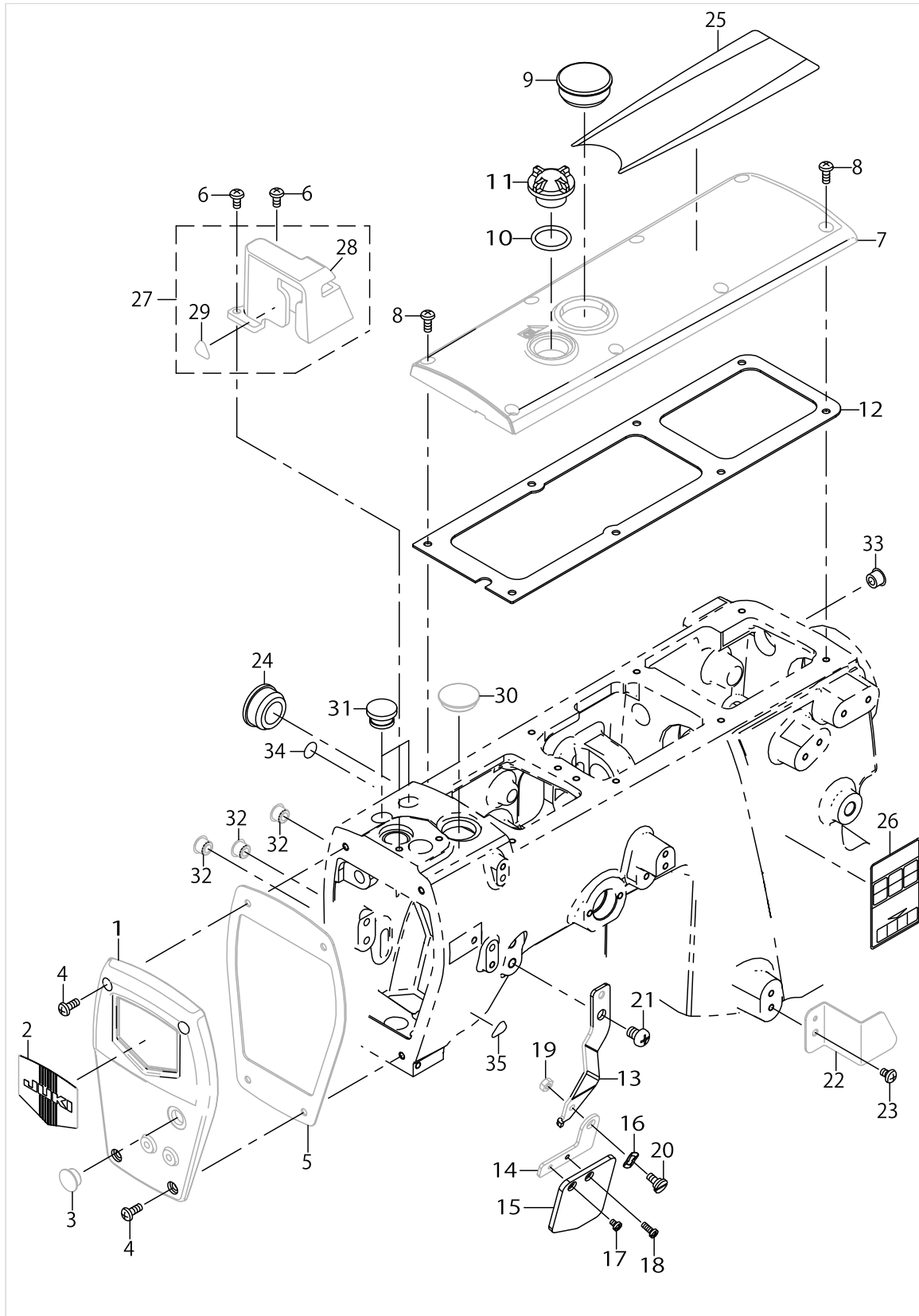
Published:09/10/2017

## CONTENTS

---

MISCELLANEOUS COVER COMPONENTS (1).....	1
MISCELLANEOUS COVER COMPONENTS (2).....	3
MAIN SHAFT COMPONENTS .....	7
NEEDLE BAR & PRESSER COMPONENTS.....	11
FEED DRIVE COMPONENTS (1) .....	15
FEED DRIVE COMPONENTS (2) .....	21
THREAD TAKE-UP LEVER COMPONENTS.....	23
SPREADER COMPONENTS.....	27
LOWER THREAD CAM COMPONENTS.....	29
NEEDLE GUARD COMPONENTS .....	31
LOOPER COMPONENTS .....	33
THREAD TENSION COMPONENTS .....	37
LUBRICATION COMPONENTS .....	39
THREAD STAND COMPONENTS.....	43
NEEDLE COOLING COMPONENTS .....	45
GAUGE PARTS COMPONENTS .....	47
ACCESSORIES PARTS COMPONENTS .....	49
HOW TO MAKE USE OF THIS PARTS LIST .....	53

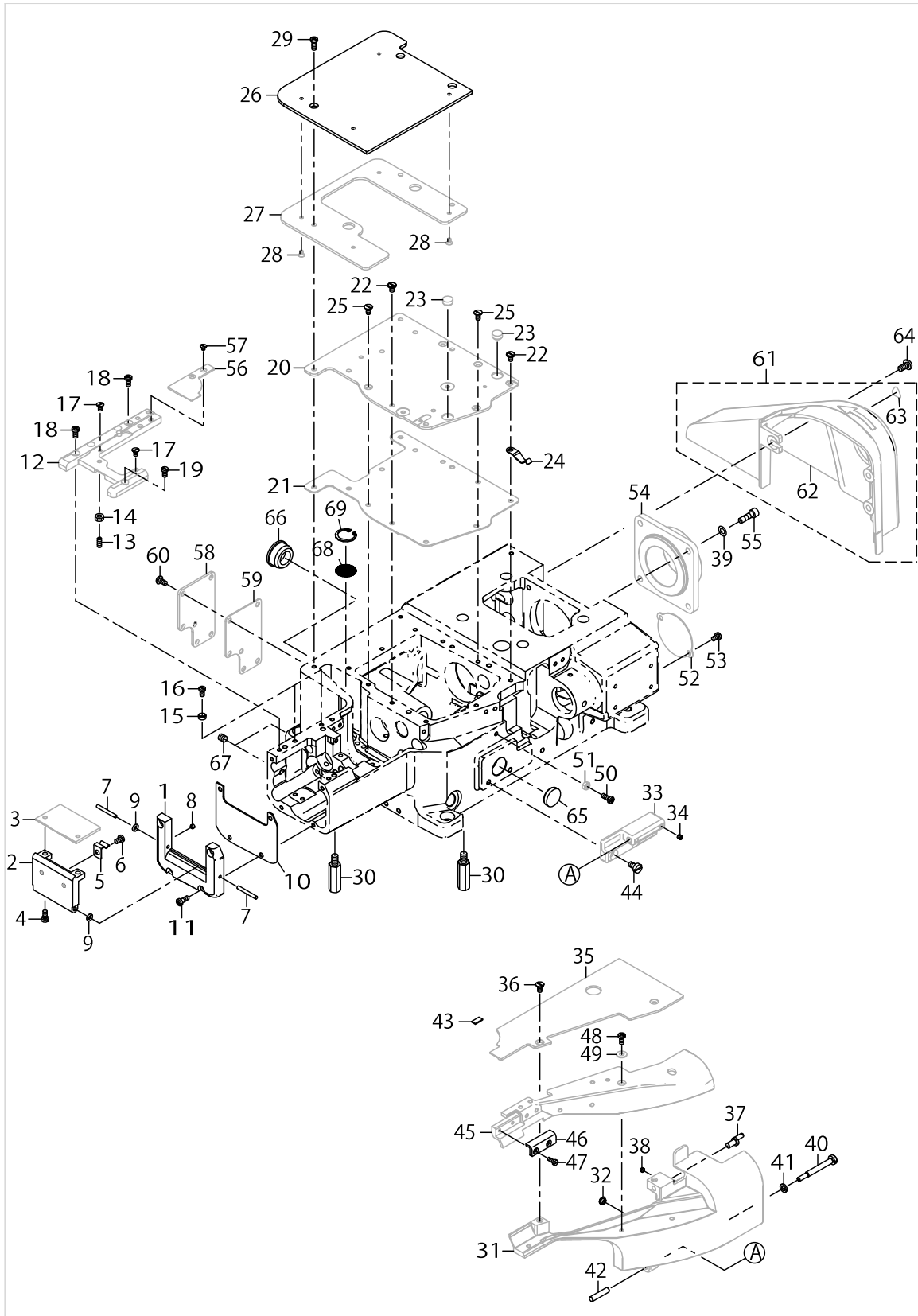
MISCELLANEOUS COVER COMPONENTS (1)



MISCELLANEOUS COVER COMPONENTS (1)

No.	Parts No.	Parts name	Remarks	Level	Cons	Qty
1	70001411	FACE COVER				1
2	22902506	PLATE				1
3	TA1050504R0	RUBBER PLUG				1
4	SM4041055SP	SCREW				4
5	70001416	GASKET H				1
6	SM4040855SP	SCREW				2
7	70001409	TOP COVER				1
8	SM4041055SP	SCREW				8
9	10753309	WINDOW PLATE RUBBER PLUG				1
10	RO195240100	O-RING				1
11	22924708	OIL SIGHT WINDOW				1
12	13300801	GASKET T				1
13	70001421	BRACKET HOLDER				1
14	40033341	BRACKET				1
15	13301700	PROTECTION SHIELD				1
16	WZ0641510KP	WAVED WASHER 6.4X11X0.3				1
17	SM4030455SN	SCREW				1
18	SM4030855SN	SCREW M3 L=8.0				1
19	NM6040000SN	NUT M4				1
20	SD0640246SP	SHOULDER SCREW D=6.35 H=2.4				1
21	SM4060801SE	SCREW				1
22	70001677	THREAD_COVER				1
23	SM4040655SP	SCREW M4 L=6				1
24	TA2351004R0	RUBBER PLUG				1
25	70001430	SEMI DRY LABEL				1
26	CM301200001	SAFETY LABEL S				1
27	70001837	NEEDLE BAR GUARD ASSY				1
28	70001407	NEEDLE BAR GUARD		*		1
29	CM300200001	FINGER INJURY CAUTION LABEL (16)		*		1
30	TA2050406R0	RUBBER PLUG				1
31	TA1250705R0	RUBBER PLUG				2
32	TA0850604R0	RUBBER PLUG				3
33	TA0850604R0	RUBBER PLUG				1
34	22901805	GROUND MARK				1
35	CM300200001	ATTENTION SEAL				1

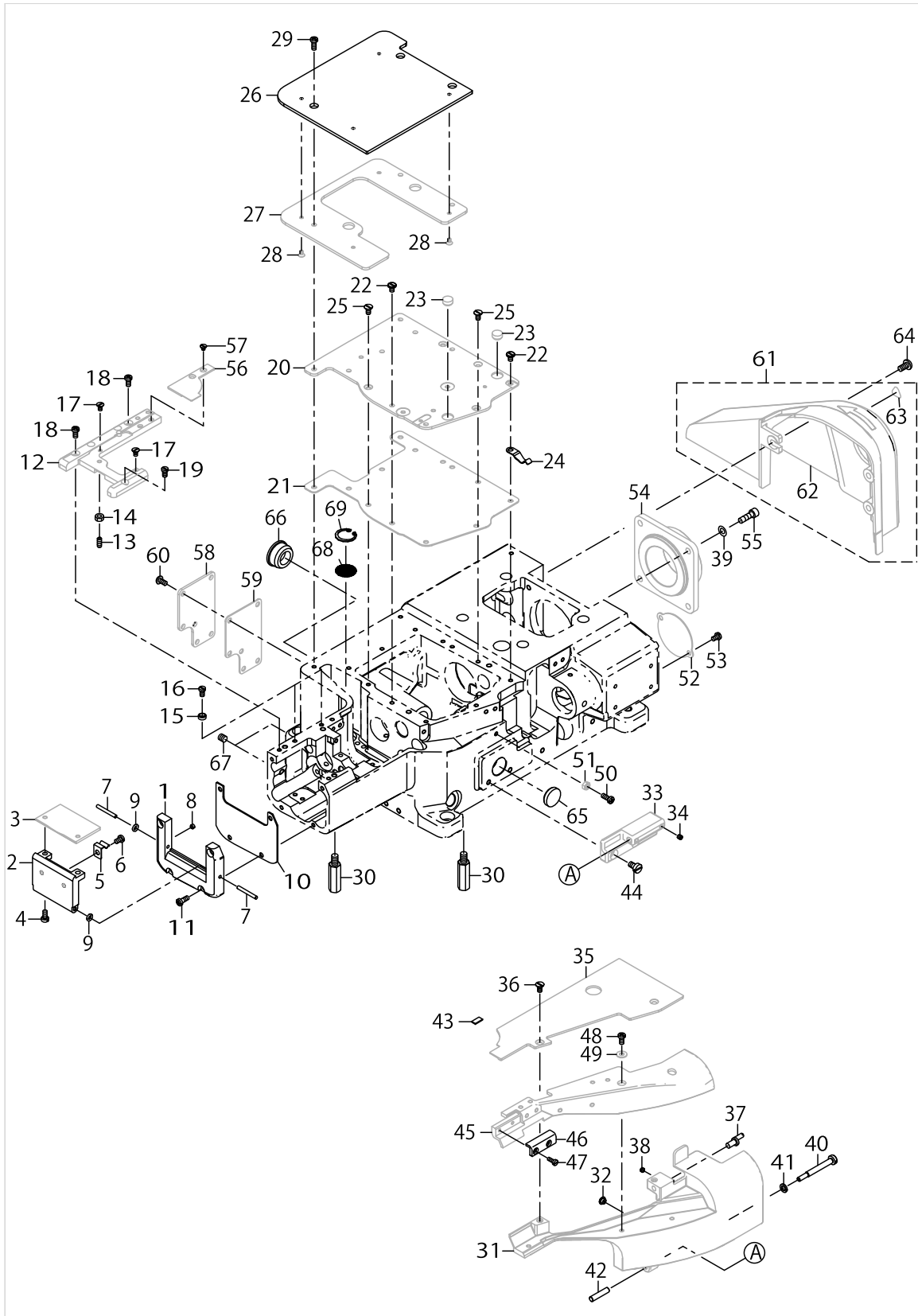
MISCELLANEOUS COVER COMPONENTS (2)



MISCELLANEOUS COVER COMPONENTS (2)

No.	Parts No.	Parts name	Remarks	Level	Cons	Qty
1	70001657	CYLINDER COVER				1
2	70001655	SIDE COVER BOTTOM				1
3	70001653	SIDE COVER UPPER				1
4	SM6040800SP	SCREW				2
5	13401906	LATCH SPRING 2				1
6	SM4040655SP	SCREW M4 L=6				1
7	PH0300252C0	PARALLEL PIN TYPE B 3X25				2
8	SM8040360TP	SCREW				2
9	RO037180100	RUBBER RING				2
10	70001661	GASKET				1
11	SM4041055SP	SCREW				4
12	70001667	THROAT PLATE SUPPORT				1
13	SM8041012TP	SCREW M4 L=10				1
14	NM6040000SN	NUT M4				1
15	40082196	ADJUSTING COLLAR				2
16	SM6040750TP	SCREW M4 L=7				2
17	13302203	SCREW				2
18	SM4040855SP	SCREW				2
19	SM6040750TP	SCREW M4 L=7				1
20	70001662	COVER PLATE				1
21	70001663	GASKET B				1
22	SM6040800SP	SCREW				6
23	TA0980502R0	RUBBER PLUG				2
24	13402003	LATCH SPRING				1
25	SM1040860SP	SCREW				4
26	70001668	CLOTH PLATE REAR				1
27	70001670	CLOTH PLATE REAR LOWER				1
28	SM1030501SN	SCREW				2
29	SM4041055SP	SCREW				3
30	13301809	SUPPORT STUD				4
31	70001650	SWING DOWN COVER				1
32	13302302	RUBBER BUMPER				1
33	70001648	HINGE				1
34	SM8040412TP	SET SCREW M4 L=4				2
35	70001671	CLOTH PLATE FRONT				1
36	SM1040800SP	SCREW				2
37	13402706	PIN FOR COVER				1
38	SM8040360TP	SCREW				1
39	WP0531000SD	WASHER M5				4
40	70001414	SCREW				1
41	WS0510002KP	SPRING WASHER 5.1X9.2X1.3				1
42	13409800	DIFF LINK PIN				1
43	13403605	RUBBER_PLATE				1
44	SM6050800SP	SCREW M5 L=8				2
45	70001652	BRACKET				1
46	70001678	BRACKET				1
47	SM6030800SP	SCREW M3X0.5 L=8				2

MISCELLANEOUS COVER COMPONENTS (2)

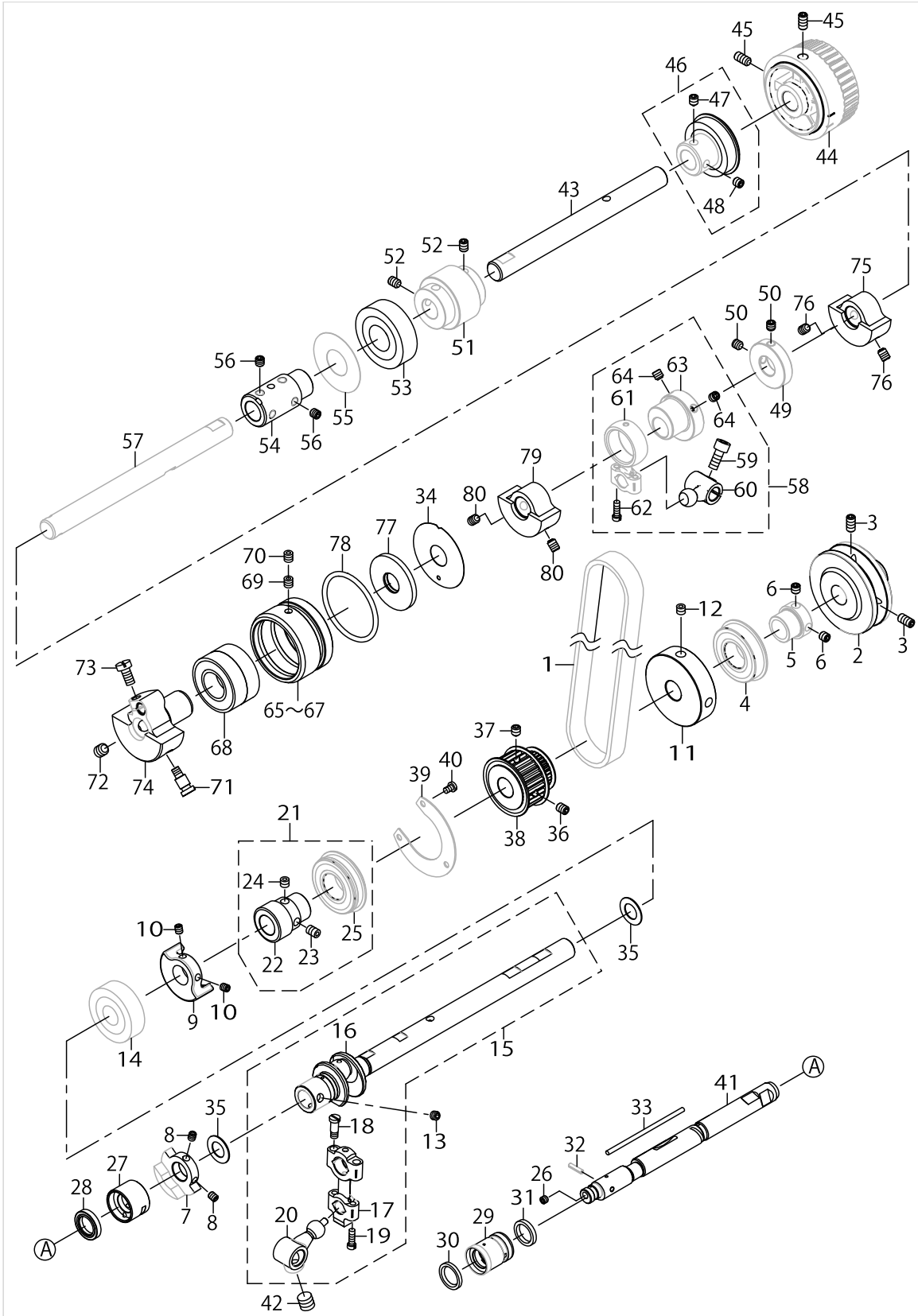


MISCELLANEOUS COVER COMPONENTS (2)

No.	Parts No.	Parts name	Remarks	Level	Cons	Qty
48	SM4040855SP	SCREW				2
49	WP0450801SC	WASHER 4.5X10X0.8				2
50	SM4041055SP	SCREW				1
51	NM6040000SN	NUT M4				1
52	70001673	LOOPER THD COVER				1
53	SM4040655SP	SCREW M4 L=6				2
54	70001436	HOUSING				1
55	SM6051602TP	SCREW M5X0.8 L=16				4
56	70001645	THROAT PLATE SUPPORT COVER				1
57	SM1030400SP	SCREW M3 L=4				2
58	70001642	COVER FOR FEED ADJUST				1
59	70001643	COVER FOR FEED ADJUST PACKING				1
60	SM4040855SP	SCREW				6
61	70001831	DRIVING BELT COVER ASSY				1
62	70001830	DRIVING BELT COVER		*		1
63	CM300200001	ATTENTION SEAL		*		1
64	SM4051055SP	SCREW				1
65	TA2000502R0	RUBBER PLUG				1
66	TA2351004R0	RUBBER PLUG				1
67	SM8060612TP	SCREW M6 L=6				2
68	13426903	MESH PLATE				1
69	RC1900002KP	C-RING				1



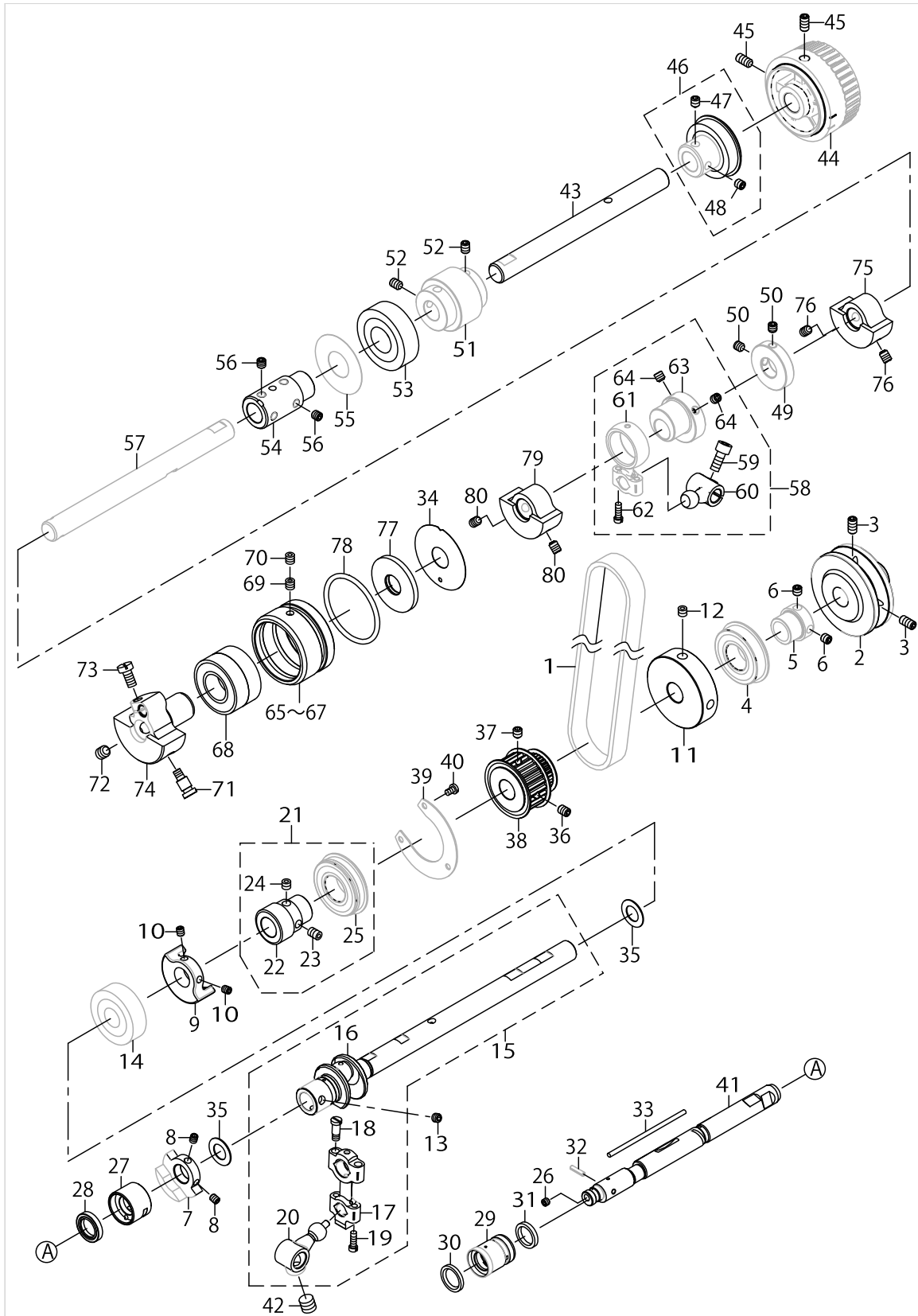
# MAIN SHAFT COMPONENTS



MAIN SHAFT COMPONENTS

No.	Parts No.	Parts name	Remarks	Level	Cons	Qty
1	70004636	TIMING_BELT				1
2	13406707	LOWER_PULLEY				1
3	SM8061212TP	SCREW M6X12				2
4	SB120001800	BEARING				1
5	13407408	COUPLING E				1
6	SM8060612TP	SCREW M6 L=6				2
7	13408406	BALANCE_WEIGHT_LMS_1				1
8	SM8050612TP	SCREW M5X6				2
9	13408505	BALANCE_WEIGHT_LMS_2				1
10	SM8050612TP	SCREW M5X6				2
11	70003316	FLY_WHEEL				1
12	SM8060612TP	SCREW M6 L=6				2
13	SM8060552TP	SCREW M6 L=5				2
14	SB115002300	BEARING				1
15	70001680	LMS_RIGHT_ROD_ASSY				1
16	70001687	LMS_RIGHT		*		1
17	70001685	LOOPER_ROD		*		1
18	SD0550906TP	SHOULDER SCREW		*		2
19	13324108	SCREW		*		2
20	70001686	CRANK		*		1
21	70003278	LMS_WORM_ASSY				1
22	13308507	COUPLING D		*		1
23	SM8060552TP	SCREW M6 L=5		*		2
24	SM8060842TP	SCREW M6 L=8		*		1
25	70001458	BEARING		*		1
26	SM8050412TP	SCREW M5 L=4				1
27	70001682	BUSHING_LMS_MIDDLE				1
28	13408703	OIL_SEAL				1
29	70001683	BUSHING_LMS_LEFT				1
30	13407903	OIL SEAL				1
31	13408604	FELT_LMS_LEFT_BUSH				1
32	PS0300122KH	SPRING PIN 3X12				1
33	CQ300000001	OIL WICK				0.075
34	40081965	OIL_BLOCK_PLATE				1
35	40017824	LOOPER LOD STOPPER				2
36	SM8060812TP	SCREW M6 L=8				1
37	SM8060842TP	SCREW M6 L=8				1
38	70004184	LMS_SPROCKET				1
39	70001451	THRUST_PLATE				1
40	SM4040655SP	SCREW M4 L=6				3
41	70001681	LOWER_MAINSHAFT_LEFT				1
42	SM8550952TP	SCREW				1
43	70001437	UPPER_MAINSHAFT_RIGHT				1
44	70001439	UPPER_PULLEY				1
45	SM8061212TP	SCREW M6X12				2
46	13307251	BEARING ASSY A				1
47	SM8060842TP	SCREW M6 L=8		*		1

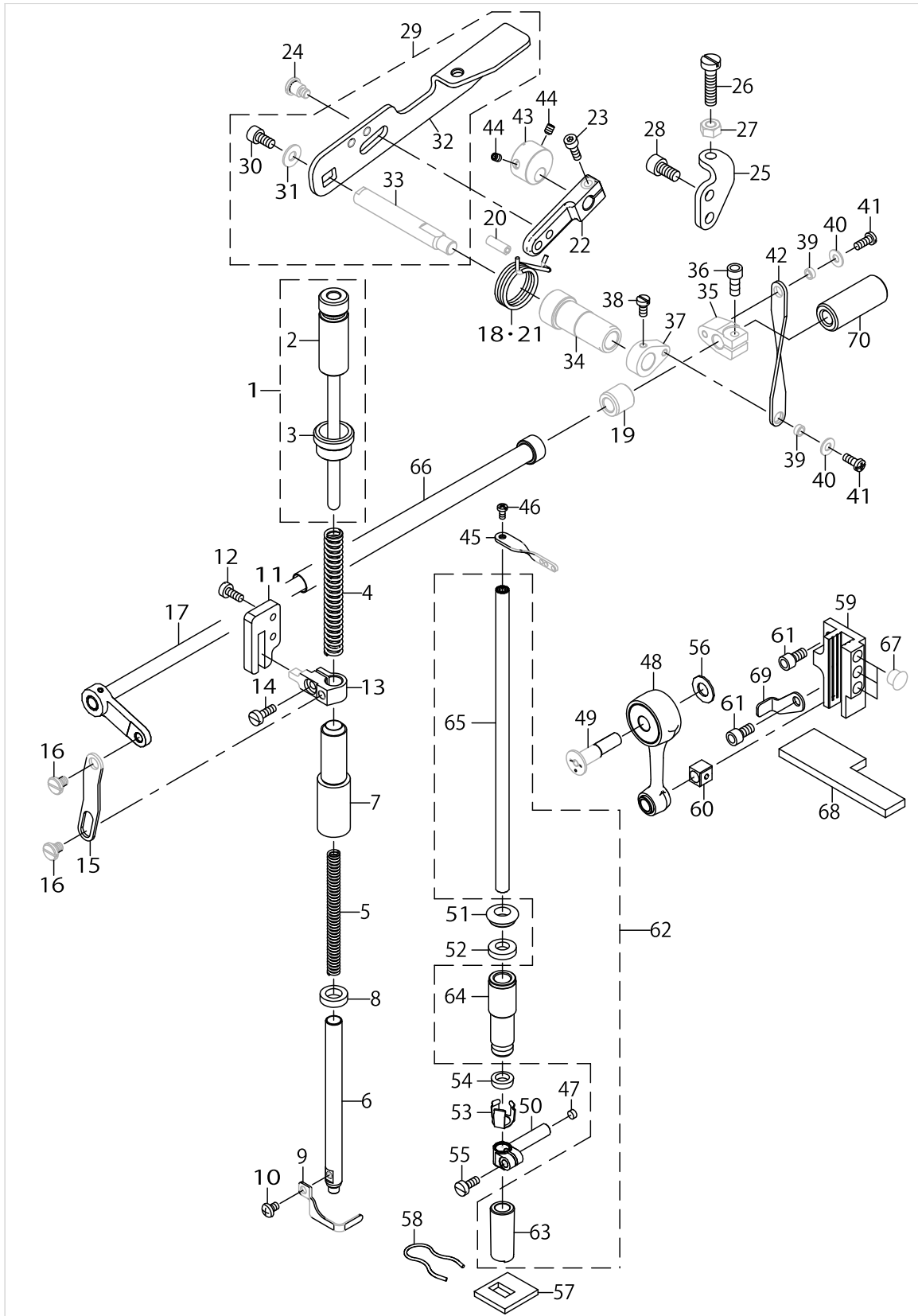
# MAIN SHAFT COMPONENTS



MAIN SHAFT COMPONENTS

No.	Parts No.	Parts name	Remarks	Level	Cons	Qty
48	SM8060612TP	SCREW M6 L=6		*		1
49	70001443	COLLAR				1
50	SM8060612TP	SCREW M6 L=6				2
51	13307301	UMS_SPROCKET				1
52	SM8060812TP	SCREW M6 L=8				4
53	SB120002200	BEARING				1
54	70001440	COUPLING_B				1
55	70001638	BEARING_COVER_PLATE				1
56	SM8060612TP	SCREW M6 L=6				4
57	70001454	UPPER_MAINSHAFT_LEFT_DRY				1
58	70001442	TAKE_UP_ROD_ASSY				1
59	SM6061402TP	SCREW M6 L=14		*		1
60	70001535	CRANK		*		1
61	70001536	ROD		*		1
62	13324108	SCREW		*		2
63	70001444	TAKE_UP_ECCENTRIC		*		1
64	SM8060612TP	SCREW M6 L=6		*		2
65	40078278	HOUSING_A	SELECTIVE PARTS			1
66	40078279	HOUSING_B	SELECTIVE PARTS			1
67	40078280	HOUSING_C	SELECTIVE PARTS			1
68	SB120001900	BEARING				1
69	SM8060842TP	SCREW M6 L=8				1
70	SM8060612TP	SCREW M6 L=6				1
71	13309208	SCREW_FOR_COUNTERWEIGHT				1
72	SM8080812TP	SCREW M8X8				1
73	SM6061200SP	SCREW				1
74	70001432	COUNTER_WEIGHT_DRY				1
75	13408307	BALANCE_WEIGHT_UMS	EXCEPT PL11,PL12			1
76	SM8060812TP	SCREW M6 L=8	EXCEPT PL11,PL12			2
77	40078282	OIL SEAL				1
78	RO445300100	RUBBER RING				1
79	13408307	BALANCE_WEIGHT_UMS	FOR PL11,PL12			1
80	SM8060812TP	SCREW M6 L=8	FOR PL11,PL12			2

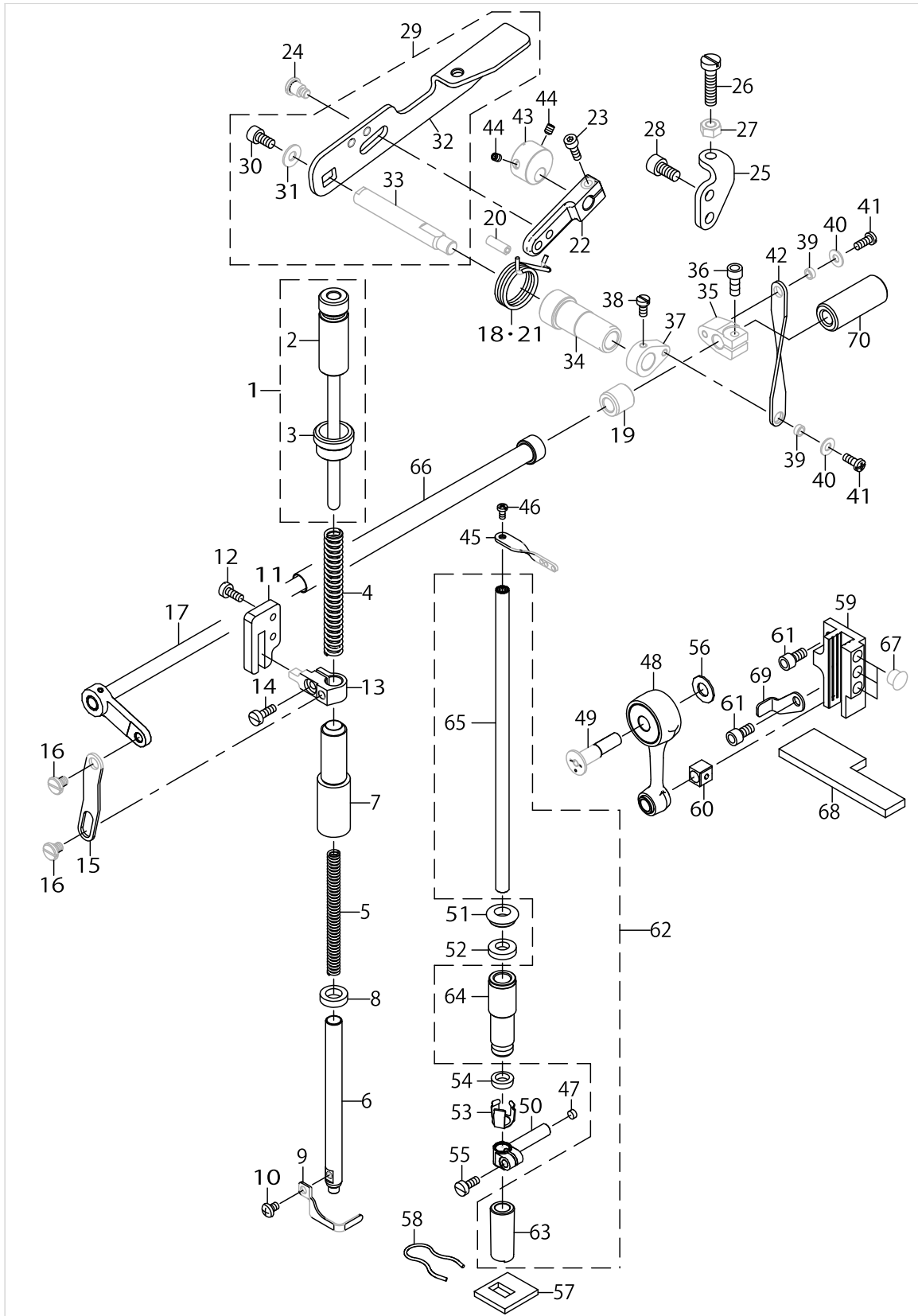
# NEEDLE BAR & PRESSER COMPONENTS



NEEDLE BAR & PRESSER COMPONENTS

No.	Parts No.	Parts name	Remarks	Level	Cons	Qty
1	40070574	ADJ SCREW P B NUT ASSY				1
2	40070573	ADJ SCREW P B ASSY		*		1
3	13313101	LOCKING NUT		*		1
4	13313309	SPRING PRESSER BAR A				1
5	70001480	SPRING PRESSER BAR B				1
6	70001481	PRESSER BAR				1
7	70001499	BUSHING_PRESSER_BAR				1
8	13315908	OIL SEAL				1
9	70001483	FINGER GUARD				1
10	SM4040655SP	SCREW M4 L=6				1
11	13313804	GUIDE PLATE				1
12	SM6041000SP	SCREW M4 L=10				2
13	70001485	PRESSER BAR BRACKET				1
14	SM6041200SP	SCREW M4 L=12				1
15	13314109	LINK				1
16	SD0700206TP	SHOULDER SCREW D=7 H=2				2
17	40078307	ASSY LIFTER SHAFT DRY				1
18	13315205	SPRING LIFTER LEVER	FOR UT52			1
19	70001486	BUSHING LIFTER FRONT				1
20	PS0500142KP	SPRING PIN TYPE W 5X14				1
21	70001498	SPRING LIFTER LEVER	EXCEPT UT52			1
22	70001494	TENSION RELEASE LEVER				1
23	SM6041202TP	SCREW M4X0.7 L=12				1
24	SD0700586TP	SHOULDER SCREW D=7 H=5.8				1
25	70001495	LIFTER LEVER STOPPER				1
26	SM6062550TP	SCREW M6 L=25				1
27	NM6060001CP	NUT M6X1 TYPE1				1
28	SM6061202TP	SCREW M6 L=12				2
29	70001487	LIFTER LEVER ASSY				1
30	SM6051002TP	SCREW M5X0.8 L=10		*		1
31	WP0551016SH	WASHER 5.5X13X1		*		1
32	70001488	LIFTER LEVER		*		1
33	70001489	LIFTER LEVER SHAFT		*		1
34	70001490	BUSHING LIFTER LEVER				1
35	70001478	LIFTER SHAFT LEVER				1
36	SM6051202TP	SCREW M5X0.8 L=12				1
37	70001477	LIFTER LEVER COLLAR				1
38	SM6040800SP	SCREW				1
39	70001491	SPACER				2
40	WP0450826SC	WASHER 4.5X10X0.8				2
41	SM4041055SP	SCREW				2
42	70001492	LIFTER LEVER LINK				1
43	70001493	MINUTES LIFTING COLLAR				1
44	SM8040512TP	SCREW				2
45	13326806	NEEDLE BAR EYELET				1
46	SM4030855SN	SCREW M3 L=8.0				1
47	40078293	PLUG				1

# NEEDLE BAR & PRESSER COMPONENTS

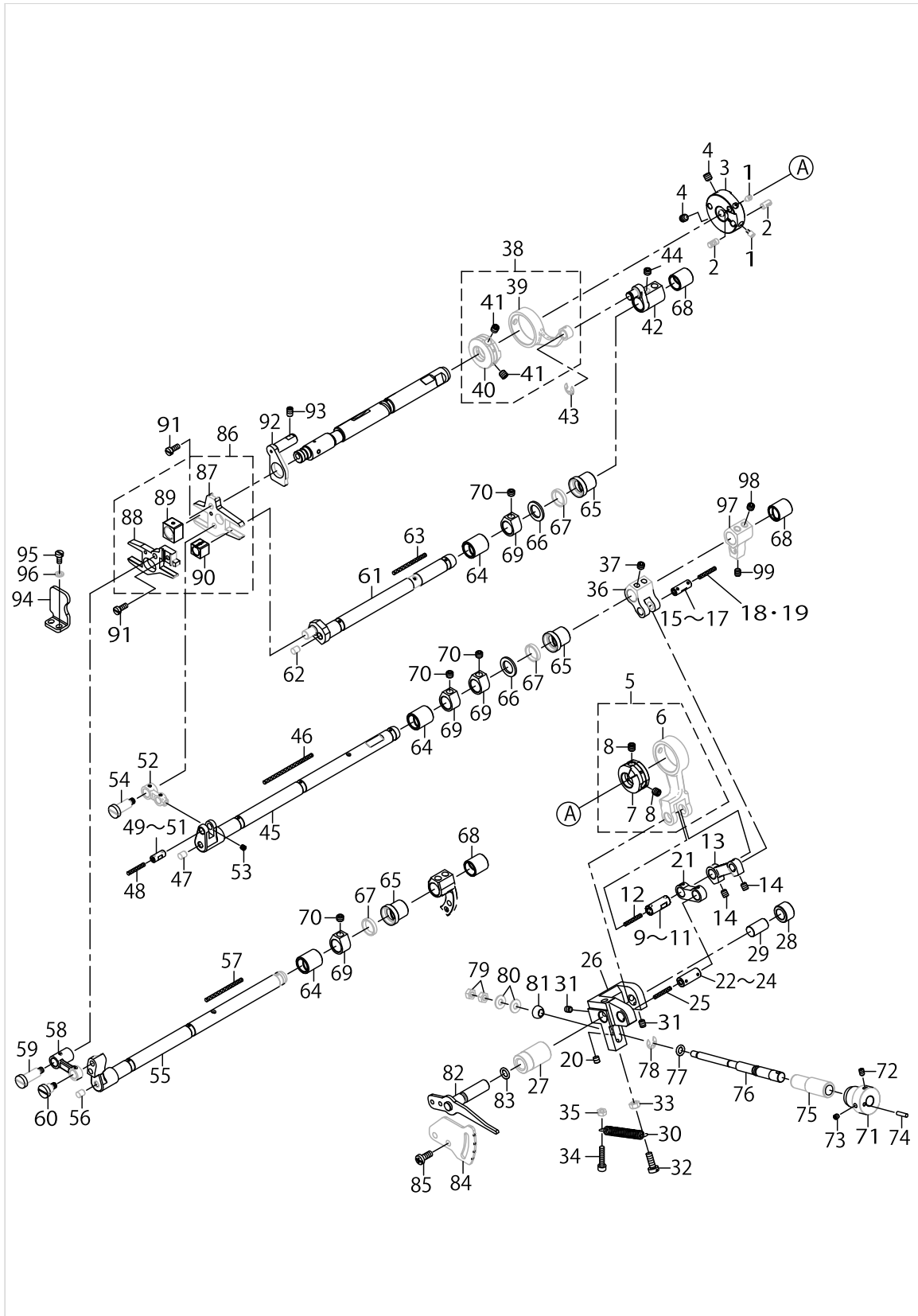


NEEDLE BAR & PRESSER COMPONENTS

No.	Parts No.	Parts name	Remarks	Level	Cons	Qty
48	70001465	ASSY NEEDLE CRANK ROD				1
49	70001462	ECCENTRIC PIN DRY				1
50	40078292	NEEDLE BAR CLAMP				1
51	40078305	BUSHING NB U PRESSER A				1
52	40078302	BUSHING NB U FELT A				1
53	40078306	BUSHING NB U PRESSER B				1
54	40078303	BUSHING NB U FELT B				1
55	SM6041000SP	SCREW M4 L=10				1
56	40078291	WASHER				1
57	40078301	BUSHING NB L FELT				1
58	40078304	BUSHING NB L PRESSER				1
59	70001463	NEEDLE BAR GUIDE				1
60	40078295	SLIDE BLOCK				1
61	SM6051202TP	SCREW M5X0.8 L=12				3
62	40078317	ASSY BUSHING NB DRY				1
63	40078299	BUSHING NB LOWER		*		1
64	40078300	BUSHING NB UPPER		*		1
65	40078296	NEEDLE BAR ASSY		*		1
66	40078320	PIPE ASSY				1
67	TA0850604R0	RUBBER PLUG				4
68	40087083	FELT				1
69	40087101	FELT PRESSER				1
70	70001500	BUSHING_LIFTER_REAR				1



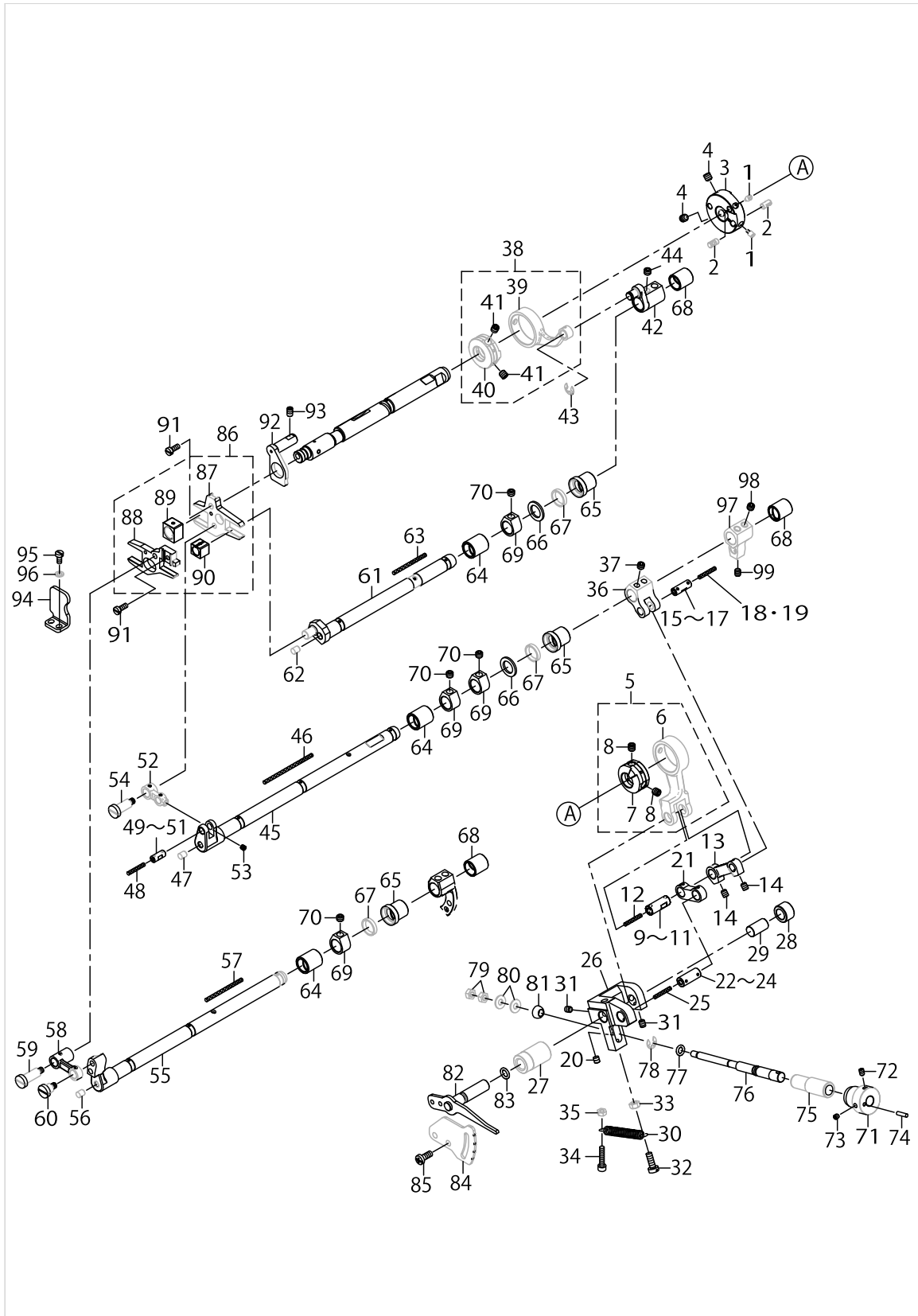
FEED DRIVE COMPONENTS (1)



FEED DRIVE COMPONENTS (1)

No.	Parts No.	Parts name	Remarks	Level	Cons	Qty
1	70001524	FEED ECCENTRIC SCREW				2
2	70001525	FEED ECCENTRIC PIN				2
3	70001697	POSITIONING CAM				1
4	SM8060612TP	SCREW M6 L=6				2
5	70001720	FEED ECCENTRIC HORIZON				1
6	70001700	CRANK ROD		*		1
7	70001715	FEED ECCENTRIC HORIZON		*		1
8	SM8060612TP	SCREW M6 L=6		*		2
9	13323308	FEED ADJ LINK PIN A	SELECTIVE PARTS			1
10	13323407	FEED ADJ LINK PIN B	SELECTIVE PARTS			1
11	13323506	FEED ADJ LINK PIN C	SELECTIVE PARTS			1
12	CQ303000000	OIL WICK				0.07
13	13410204	MAIN ADJ LINK				1
14	SM8050612TP	SCREW M5X6				2
15	13318704	MAIN FEED CRANK PIN A	SELECTIVE PARTS			1
16	13318803	MAIN FEED CRANK PIN B	SELECTIVE PARTS			1
17	13318902	MAIN FEED CRANK PIN C	SELECTIVE PARTS			1
18	CQ202000000	OIL WICK				0.02
19	CQ303000000	OIL WICK				0.04
20	SM8050612TP	SCREW M5X6				1
21	13317300	ADJUST LINK				1
22	13410600	FEED ADJ LINK PIN A	SELECTIVE PARTS			1
23	13410709	FEED ADJ LINK PIN B	SELECTIVE PARTS			1
24	13410808	FEED ADJ LINK PIN C	SELECTIVE PARTS			1
25	CQ303000000	OIL WICK				0.07
26	13415708	FEED ADJ BLOCK				1
27	70001702	BUSHING MAIN FEED ADJ				1
28	70001703	BUSHING MAIN FEED ADJ				1
29	13415906	SHAFT FEED ADJ BLOCK				1
30	B2546232000	PRESSURE SPRING				1
31	SM8050612TP	SCREW M5X6				4
32	SM6051400SP	SCREW				1
33	NM6050001SC	NUT M5X0.8 TYPE1				1
34	SM6042002TP	SCREW M4X0.7 L=20				1
35	NM6040000SN	NUT M4				1
36	13411509	MAIN FEED CRANK				1
37	SM8060552TP	SCREW M6 L=5				2
38	70001721	FEED ECCENTRIC VERTICAL				1
39	70001701	FEED LIFT ROD		*		1
40	70001716	FEED ECCENTRIC VERTICAL		*		1
41	SM8060612TP	SCREW M6 L=6		*		2
42	13414404	FEED LIFT LEVER				1
43	RE0500000K0	E-RING				1
44	SM8060552TP	SCREW M6 L=5				2
45	70001765	MAIN FEED SHAFT				1
46	CQ300000001	OIL WICK				1.5
47	TA0500601M0	PLUG D=5X5.4 L=6				1

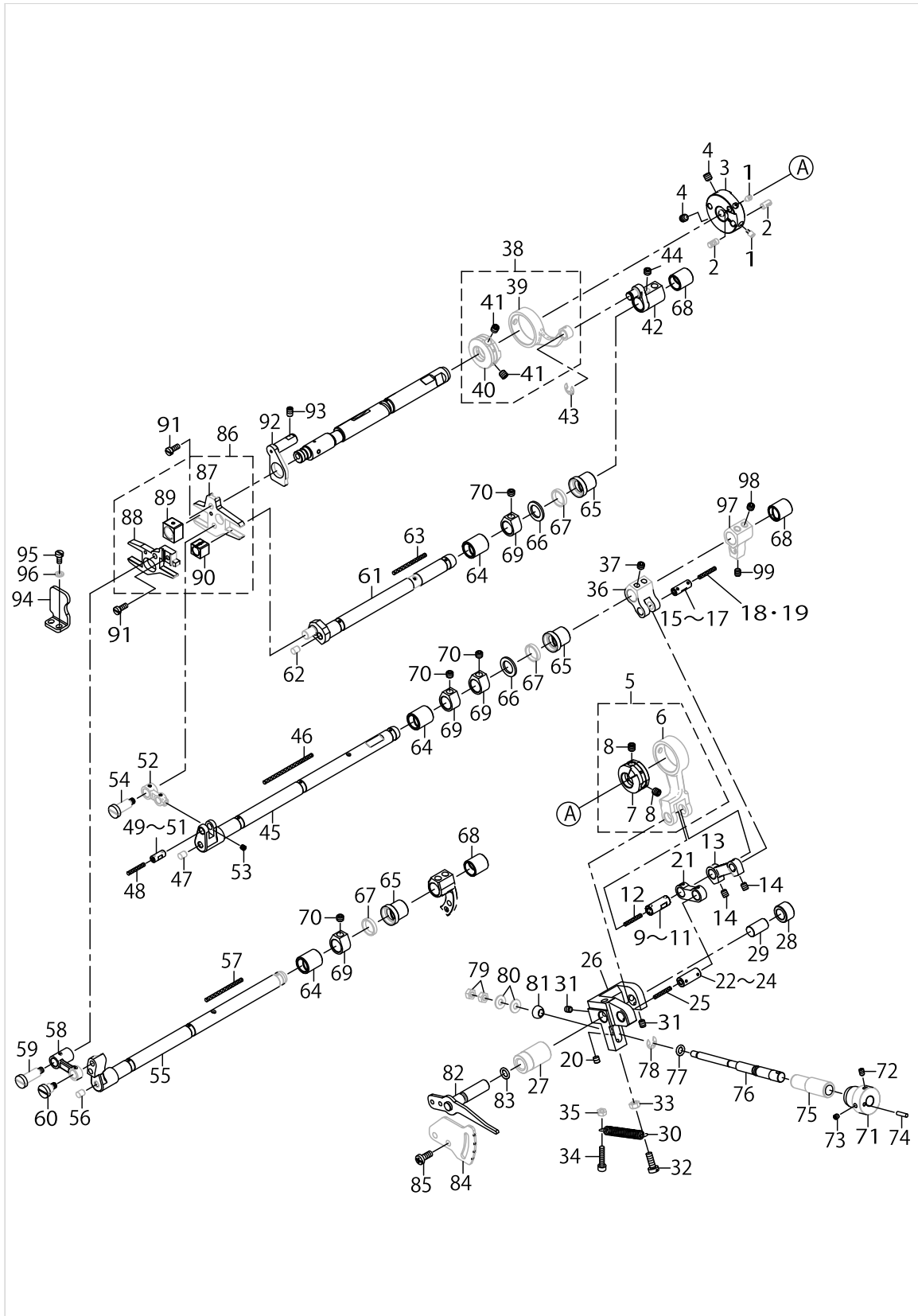
FEED DRIVE COMPONENTS (1)



FEED DRIVE COMPONENTS (1)

No.	Parts No.	Parts name	Remarks	Level	Cons	Qty
48	CQ200000000	OIL WICK				0.07
49	13412002	MAIN FEED LINK PIN A	SELECTIVE PARTS			1
50	13412101	MAIN FEED LINK PIN B	SELECTIVE PARTS			1
51	13412200	MAIN FEED LINK PIN C	SELECTIVE PARTS			1
52	13411905	MAIN FEED LINK				1
53	SM8040412TP	SET SCREW M4 L=4				1
54	SD0801636TH	SHOULDER SCREW				1
55	70001699	DIFF FEED SHAFT				1
56	TA0500601M0	PLUG D=5X5.4 L=6				1
57	CQ300000001	OIL WICK				1
58	13413604	DIFF FEED LINK				1
59	SD0801866TH	SHOULDER SCREW				1
60	SD0800626TH	SHOULDER SCREW				1
61	13414503	FEED LIFT SHAFT				1
62	TA0500601M0	PLUG D=5X5.4 L=6				1
63	CQ300000001	OIL WICK				0.67
64	13411707	BUSHING FEED MECH				3
65	70001705	BUSHING FEED MECH				3
66	13409107	WASHER				2
67	70001403	OIL SEAL				3
68	70001706	BUSHING FEED MECH				3
69	13411806	COLLAR				4
70	SM8060552TP	SCREW M6 L=5				4
71	13318001	KNOB FEED ADJUST				1
72	SM8040602TP	SCREW M4X0.7 L=6				1
73	SM8040412TP	SET SCREW M4 L=4				1
74	B3215470000	PIN				1
75	13411400	BUSHING FEED ADJ				1
76	13411301	SHAFT FEED ADJ				1
77	RO055200100	RUBBER RING				1
78	RE0500000K0	E-RING				1
79	NM6050001SC	NUT M5X0.8 TYPE1				1
80	13120605	WASHER				2
81	13318308	STOPPER FEED ADJUST				1
82	13411152	INDICATOR ASSY				1
83	RO068190100	RUBBER RING				1
84	70001719	PLATE MAIN FEED ADJ				1
85	SM4051255SP	SCREW.,M5 L=12.				2
86	13413950	FEED BAR ASSY				1
87	13413901	MAIN FEED BAR		*		1
88	13414008	DIFF FEED BAR		*		1
89	13413703	SLIDE BLOCK 1		*		1
90	13413802	SLIDE BLOCK 2		*		1
91	SM6041000SP	SCREW M4 L=10				2
92	13414107	FEED BAR GUIDE 1				1
93	SM8050812TP	SCREW M5X8				1
94	13414206	FEED BAR GUIDE 2				1

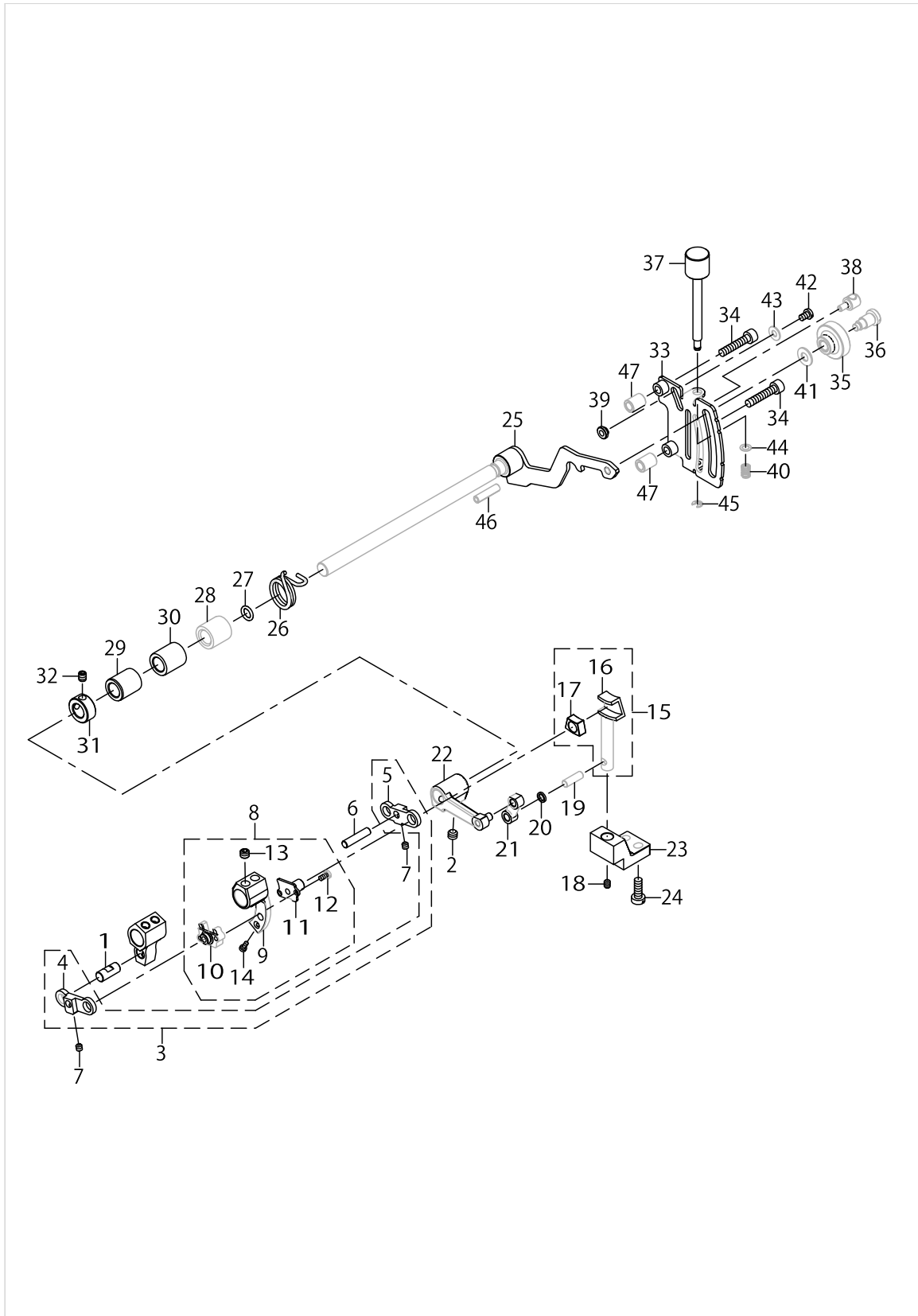
FEED DRIVE COMPONENTS (1)



FEED DRIVE COMPONENTS (1)

No.	Parts No.	Parts name	Remarks	Level	Cons	Qty
95	SM6040800SP	SCREW				2
96	WP0450846SP	WASHER				2
97	70001714	DIFF FEED CRANK				1
98	SM8060552TP	SCREW M6 L=5				2
99	SM8050612TP	SCREW M5X6				1

FEED DRIVE COMPONENTS (2)

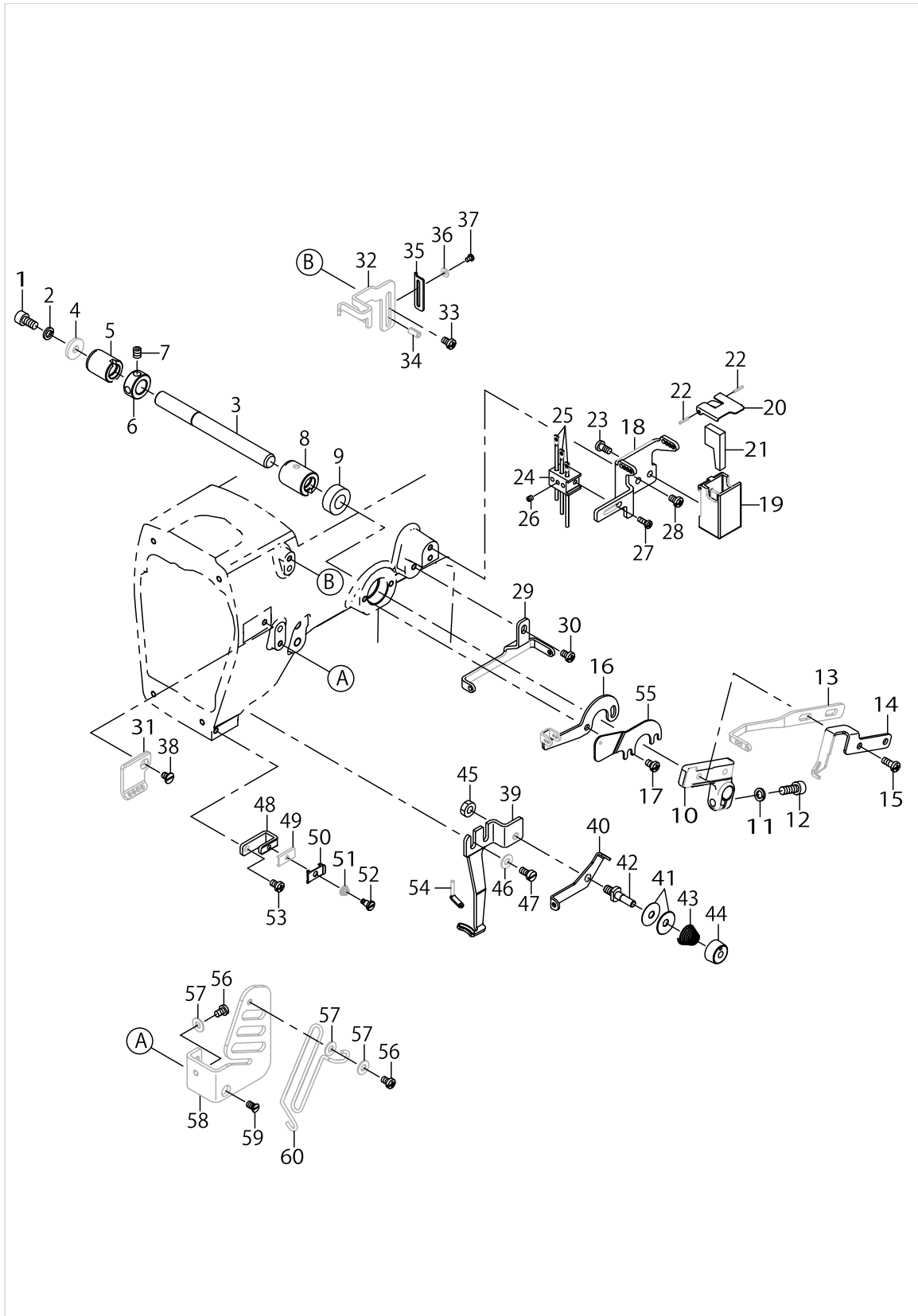


FEED DRIVE COMPONENTS (2)

No.	Parts No.	Parts name	Remarks	Level	Cons	Qty
1	13409909	DIFF FEED CRANK PIN				1
2	SM8060552TP	SCREW M6 L=5				2
3	13409651	DIFF DRIVE LINK ASSY				1
4	13409602	DIFF DRIVE LINK L		*		1
5	13409701	DIFF DRIVE LINK R		*		1
6	13409800	DIFF LINK PIN				1
7	SM8040412TP	SET SCREW M4 L=4				2
8	13416052	DIFF FEED ARM ASSY				1
9	13416003	DIFF FEED ARM		*		1
10	13416102	DIFF FEED PIN 1		*		1
11	13416201	DIFF FEED PIN 2		*		1
12	SM6030650TP	SCREW		*		2
13	SM8060552TP	SCREW M6 L=5		*		2
14	SM4850455SP	SCREW		*		1
15	13416458	SLIDER GUIDE ASSY				1
16	13416409	SLIDER GUIDE		*		1
17	13416607	SLIDER		*		1
18	SM8040612TP	SCREW M4 L=6				1
19	13416508	PIN DIFF ADJ				1
20	13412705	SPACER				1
21	13413208	DIFF ADJ LINK				1
22	13416854	DIFF ADJ LEVER ASSY				1
23	13416706	SLIDER GUIDE BLOCK				1
24	SM6051400SP	SCREW				2
25	70001707	DIFF ADJ LEVER ASSY				1
26	40040208	TORSION SPRING				1
27	RO068190100	RUBBER RING				1
28	70001709	BUSHING FEED ADJ				1
29	70001710	BUSHING FEED ADJ				1
30	70001711	BUSHING FEED ADJ				1
31	CS1000881TP	THRUST COLLAR				1
32	SM8050612TP	SCREW M5X6				2
33	40040155	PLATE DIFF ADJ LEVER				1
34	SM6052502TP	SCREW M5X0.8 L=25				2
35	13217500	DIFFERENTIAL FEED LOCK NUT				1
36	13217401	DIFFERENTIAL FEED HINGE SCREW				1
37	70001718	SCREW				1
38	13217708	DIFFERENTIAL FEED BLOCK				1
39	13321203	STOPPER DIFF ADJ				1
40	13123302	ADJUSTING SPRING				1
41	WP0621016SD	WASHER 6.2X13X1				1
42	SM4040655SP	SCREW M4 L=6				1
43	WP0450826SC	WASHER 4.5X10X0.8				1
44	WP0460556SD	WASHER 4.6X7.5X0.5				1
45	RE0300000K0	E-RING 3				1
46	PS0500202KP	SPRING PIN 5X20				1
47	70001712	COLLAR				2



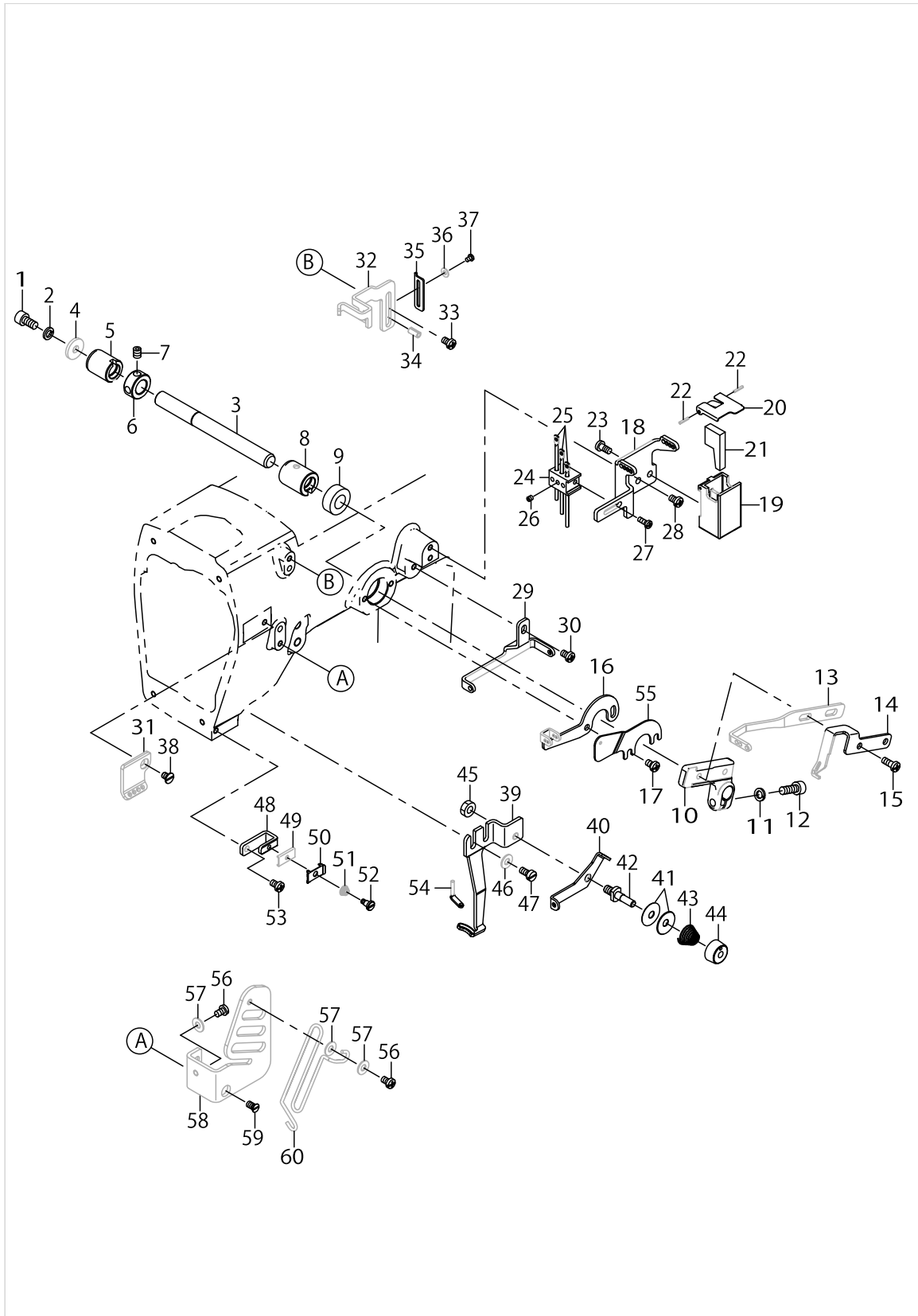
# THREAD TAKE-UP LEVER COMPONENTS



THREAD TAKE-UP LEVER COMPONENTS

No.	Parts No.	Parts name	Remarks	Level	Cons	Qty
1	SM6051002TP	SCREW M5X0.8 L=10				1
2	WS0510002KP	SPRING WASHER 5.1X9.2X1.3				1
3	70001537	SHAFT				1
4	WP0522016SH	WASHER				1
5	13324504	BUSHING REAR				1
6	CS1000881TP	THRUST COLLAR D=10 W=8				1
7	SM8050612TP	SCREW M5X6				2
8	13324603	BUSHING FRONT				1
9	23612609	FEED CHANGING SHAFT OIL SEAL				1
10	13324702	HOLDER TAKE UP EYELET				1
11	WS0510002KN	SPRING WASHER M5				1
12	SM6051402TP	SCREW M5X0.8 L=14				1
13	70001548	NDL THD TAKE UP				1
14	13324900	UP LPR THREAD TAKE UP				1
15	SM4041055SP	SCREW				2
16	13325006	THREAD GUIDE				1
17	SM4040655SP	SCREW M4 L=6				2
18	70001540	THREAD TENSION GUIDE				1
19	13348008	TANK				1
20	70001546	SILICONE OIL TANK COVER				1
21	B9214850000	HEAT REMOVING FELT				1
22	PS0150082KH	SPRING PIN 1.5X8				2
23	ST4040851SN	TAPPING SCREW M4X8				2
24	13325204	HOLDER				1
25	40074316	NEEDLE_THREAD_EYELET				3
26	SM8030312TP	SCREW M3 L=3				3
27	SM4030855SN	SCREW M3 L=8.0				1
28	SM4040655SP	SCREW M4 L=6				2
29	70001541	THREAD GUIDE				1
30	SM4040655SP	SCREW M4 L=6				1
31	70001542	THREAD GUIDE				1
32	70001543	NDL THD STRIKE OFF				1
33	SM4040655SP	SCREW M4 L=6				1
34	PS0400082KP	SPRING PIN TYPE W 4X8				1
35	13326905	NDL THD STRIKE OFF R				1
36	WP0280501SC	WASHER M2.6				1
37	SM4850455SP	SCREW				1
38	SM1040650TP	SCREW				1
39	13326301	THREAD GUIDE UPPER LPR				1
40	13326400	THREAD GUIDE				1
41	22945802	THREAD TENSION DISK				2
42	13326509	TENSION POST				1
43	22945505	THREAD TENSION SPRING				1
44	13326608	TENSION NUT				1
45	NM6050001SC	NUT M5X0.8 TYPE1				1
46	WP0450826SC	WASHER 4.5X10X0.8				2
47	SM6040800SP	SCREW				2

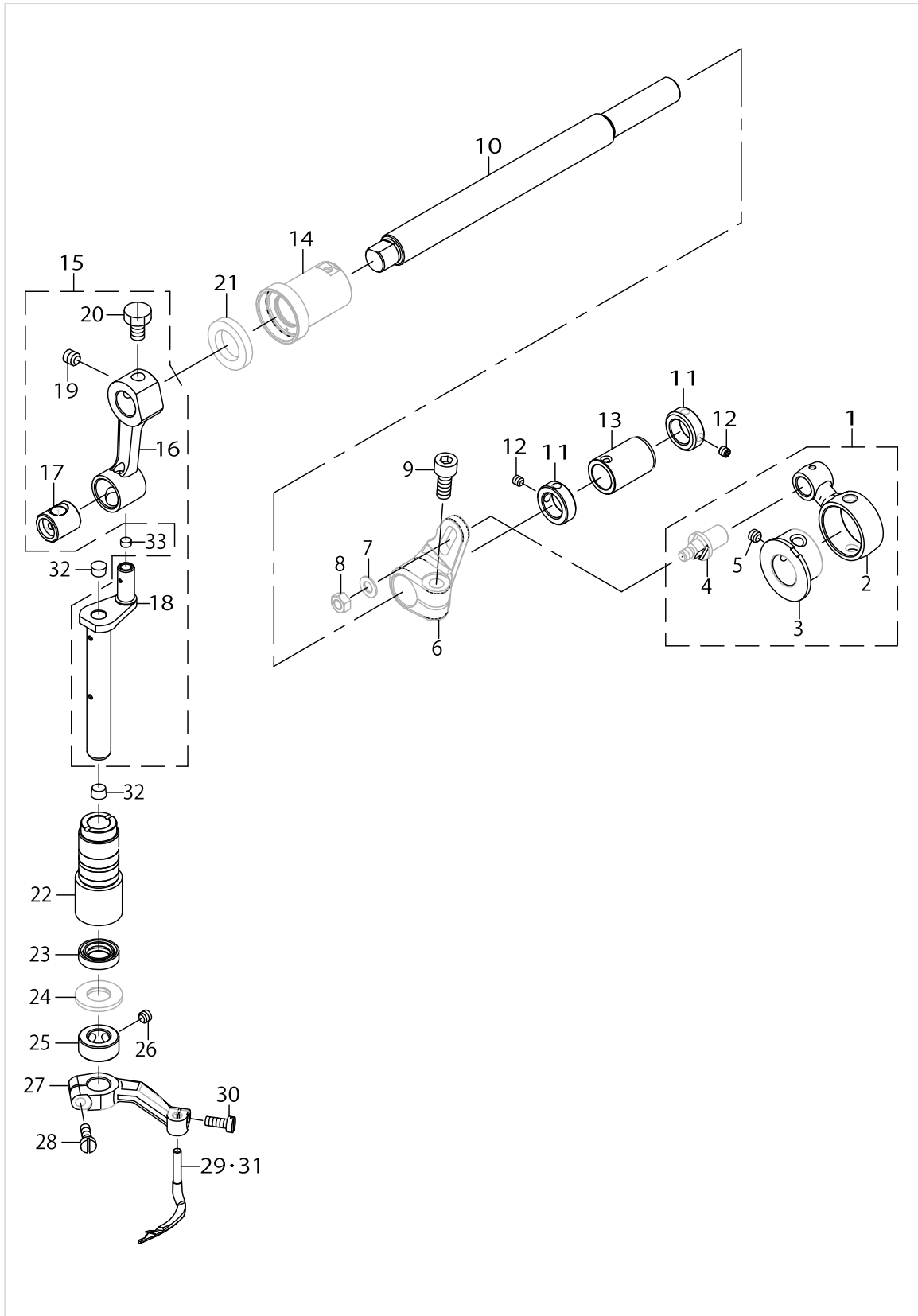
# THREAD TAKE-UP LEVER COMPONENTS



THREAD TAKE-UP LEVER COMPONENTS

No.	Parts No.	Parts name	Remarks	Level	Cons	Qty
48	13325808	NIPPER PLATE SUPPORT				1
49	13325907	NIPPER PLATE				1
50	13326004	NIPPER GUIDE PLATE				1
51	13326103	SPRING				1
52	13326202	SHOULDER SCREW				1
53	SM4040655SP	SCREW M4 L=6				1
54	13326707	THREAD GUIDE				1
55	40085995	FINGER GUARD				1
56	SM4040655SP	SCREW M4 L=6				2
57	WP0450801SC	WASHER 4.5X10X0.8				3
58	70001544	TAKE UP COVER				1
59	SM1040750TP	SCREW M4 L=7				1
60	70001545	FINGER GUARD				1

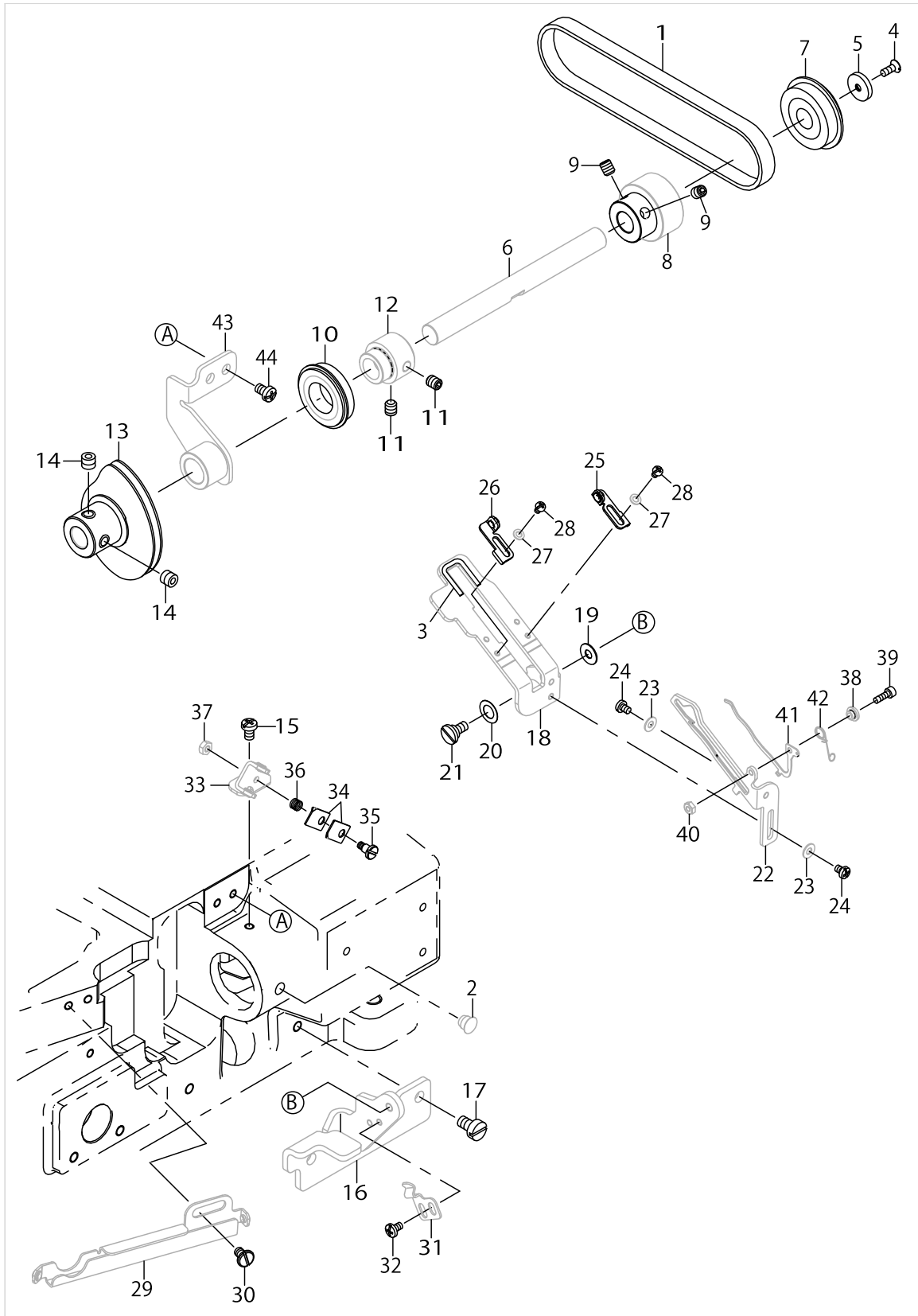
SPREADER COMPONENTS



SPREADER COMPONENTS

No.	Parts No.	Parts name	Remarks	Level	Cons	Qty
1	40078318	ASSY UPPPER LPR MECH				1
2	40078319	CONNROD FOR UPPER LPR		*		1
3	13328000	UPPER LOOPER ECCENTRIC		*		1
4	13328208	STUD		*		1
5	SM8050412TP	SCREW M5 L=4		*		2
6	70001555	DRIVING ARM				1
7	WP0550800SP	WASHER 5.5X10X0.8				1
8	NM6050001SC	NUT M5X0.8 TYPE1				1
9	SM6061402TP	SCREW M6 L=14				1
10	70001561	UPPER LOOPER SHAFT DRY				1
11	13399209	COLLAR				2
12	SM8040412TP	SCREW M4X4				4
13	13329008	BUSHING REAR				1
14	70001562	BUSHING FRONT DRY				1
15	40078311	ASSY UPPER LPR MECH 2				1
16	40078312	CRANK ROD		*		1
17	40078313	UPPER LOOPER ROCKER		*		1
18	40078314	U.L SHAFT VERTICAL		*		1
19	SM8060612TP	SCREW M6 L=6		*		1
20	SM9061050TP	SCREW M6 L=10		*		1
21	40172767	OIL_SEAL				1
22	13329206	BUSHING VERTICAL				1
23	13338900	OIL SEAL				1
24	WP1022016SH	WASHER				1
25	CS1000881TP	THRUST COLLAR D=10 W=8				1
26	SM8050412TP	SCREW M5 L=4				2
27	13328802	UPPER LOOPER HOLDER				1
28	SM6041200SP	SCREW M4 L=12				1
29	70004223	UPPER_LOOPER	EXCEPT TYPE TURKEY (UT37A,UT57A)			1
30	SM6041000SP	SCREW M4 L=10				1
31	70004224	UPPER_LOOPER	TYPE TURKEY (UT37A,UT57A)			1
32	TA0600401R0	PLUG				1
33	40078293	PLUG				1

# LOWER THREAD CAM COMPONENTS

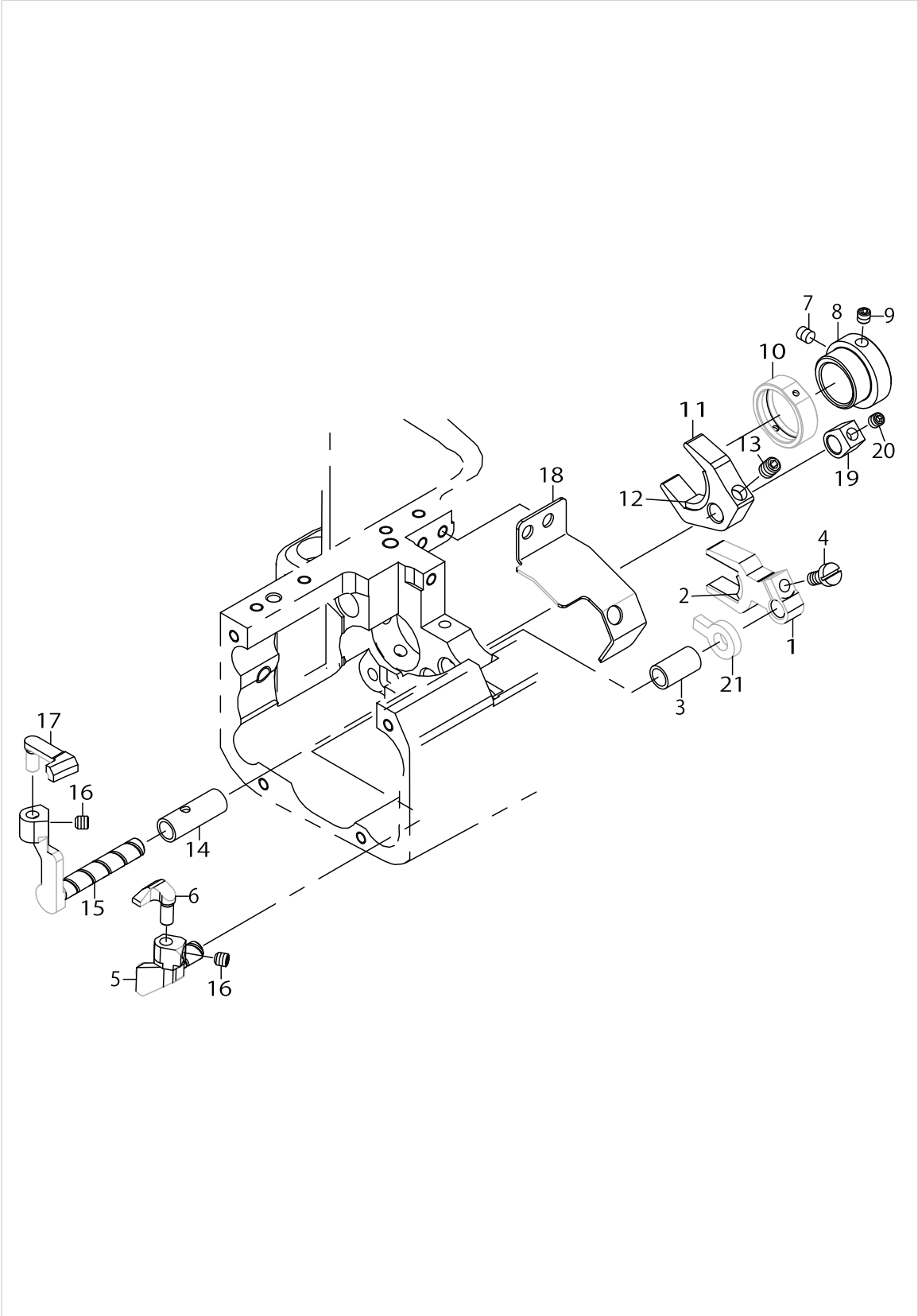


LOWER THREAD CAM COMPONENTS

No.	Parts No.	Parts name	Remarks	Level	Cons	Qty
1	70001988	BELT_TAKE_UP				1
2	TA0620504R0	CAP				1
3	40087068	CAM THREAD CATCH				1
4	SM1030800SM	SCREW M3X0.5 L=8				1
5	13332606	WASHER TAKE UP				1
6	70001729	SHAFT TAKE UP				1
7	SB110001800	BEARING				1
8	13331301	SPROCKET TAKE UP				1
9	SM8050612TP	SCREW M5X6				2
10	SB115000600	BALL BEARING				1
11	SM8050612TP	SCREW M5X6				2
12	70001754	COUPLING				1
13	40019335	ASSY TAKE UP				1
14	SM8060552TP	SCREW M6 L=5				2
15	SM4040655SP	SCREW M4 L=6				1
16	70001734	TAKE UP PLATE BASE				1
17	SM6050800SP	SCREW M5 L=8				2
18	70001735	TAKE UP PLATE				1
19	WP0410516SD	PLAIN WASHER				1
20	WZ0641510KP	WAVED WASHER 6.4X11X0.3				1
21	SD0640246SP	HINGE SCREW D=6.35 H=2.4				1
22	70001752	THREAD GUIDE				1
23	WP0320501SC	WASHER M3				3
24	SM4030455SP	SCREW				3
25	40100773	EYELET L ASSY				1
26	40100771	EYELET R ASSY				1
27	WP0280500SC	WASHER				2
28	SM4850455SP	SCREW				2
29	70001738	ASSY THREAD GUIDE				1
30	SM6040650TP	SCREW				2
31	70001745	SPRING				1
32	SM5030555SN	SCREW M3 L=5				2
33	70001764	NIPPER PLATE ASSY				1
34	40100769	NIPPER SPRING PLATE				2
35	13326202	SHOULDER SCREW				1
36	13402805	SPRING				1
37	NM6030001SC	NUT M3X0.5 TYPE1				1
38	70001584	SPRING COLLAR				1
39	SM6850802TN	SCREW M2.5 L=8				1
40	NM6850001SC	NUT M2.5X0.45 TYPE1				1
41	70001751	THREAD GUIDE PLATE				1
42	70001753	THREAD GUIDE PLATE SPRING				1
43	70001758	SHAFT TAKE UP COVER ASSY				1
44	SM4040655SP	SCREW M4 L=6				2



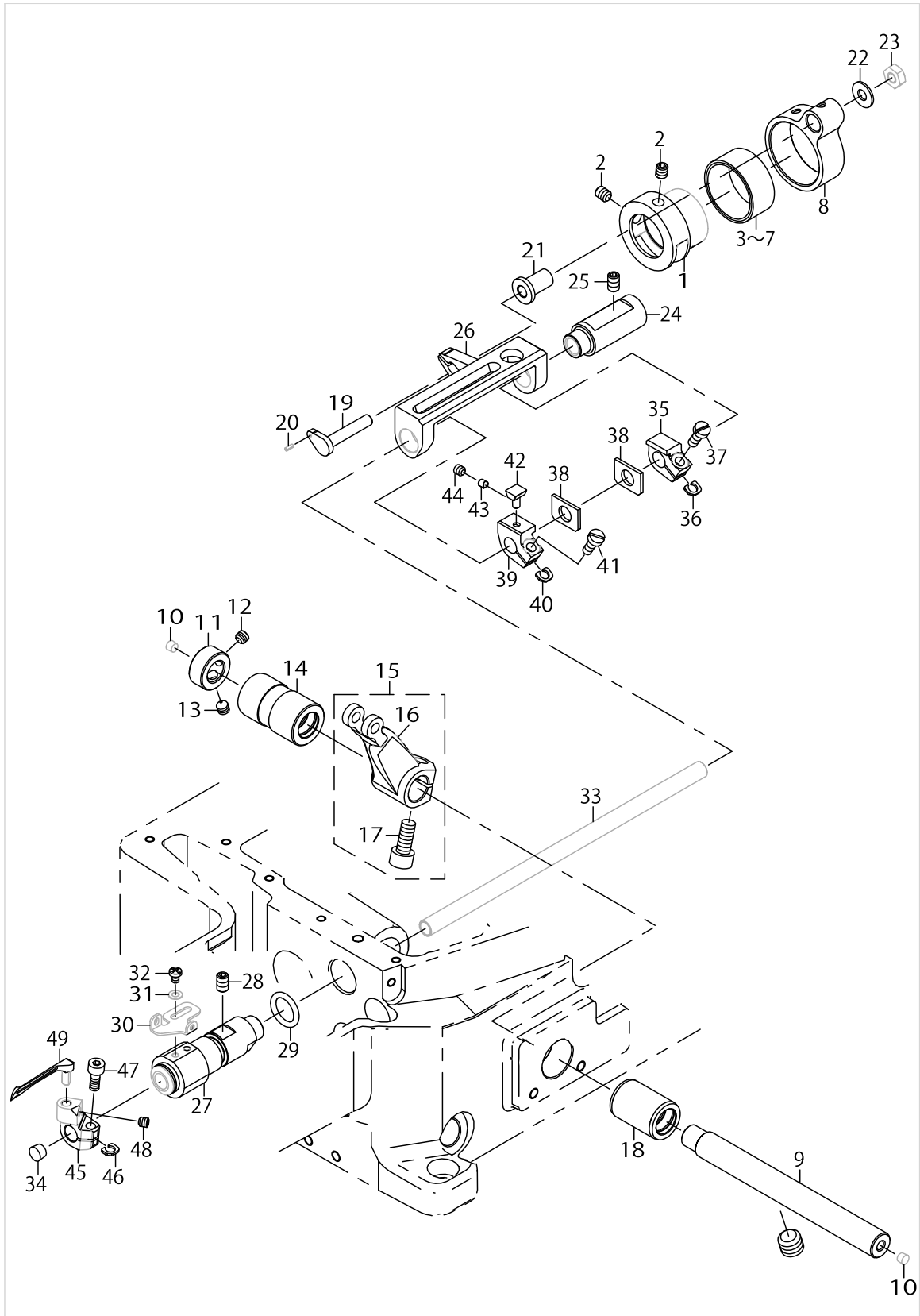
NEEDLE GUARD COMPONENTS



NEEDLE GUARD COMPONENTS

No.	Parts No.	Parts name	Remarks	Level	Cons	Qty
1	13420401	FORK FRONT NDL GUARD				1
2	13421201	FELT FRONT NDL GUARD				1
3	70001749	BUSH FRONT NDL GUARD				1
4	SM6040800SP	SCREW				1
5	13420500	HOLDER FRONT NDL GUARD				1
6	13420609	FRONT NDL GUARD				1
7	SM8040412TP	SET SCREW M4 L=4				1
8	13420005	CAM REAR NDL GUARD				1
9	SM8040412TP	SET SCREW M4 L=4				1
10	13421003	REAR NEEDLE GUARD BLOCK				1
11	13420104	FORK REAR NDL GUARD				1
12	13421300	FELT REAR NDL GUARD				1
13	SM8050612TP	SCREW M5X6				1
14	70001750	BUSH REAR NDL GUARD				1
15	13420203	REAR NDL GUARD HOLDER				1
16	SM8040412TP	SET SCREW M4 L=4				2
17	13420302	REAR NEEDLE GUARD				1
18	13420906	NDL GUARD COVER				1
19	13421409	COLLER FOR NDL GUARD				1
20	SM8040412TP	SET SCREW M4 L=4				1
21	70001954	FELT FOR NEEDLE GUARD				1

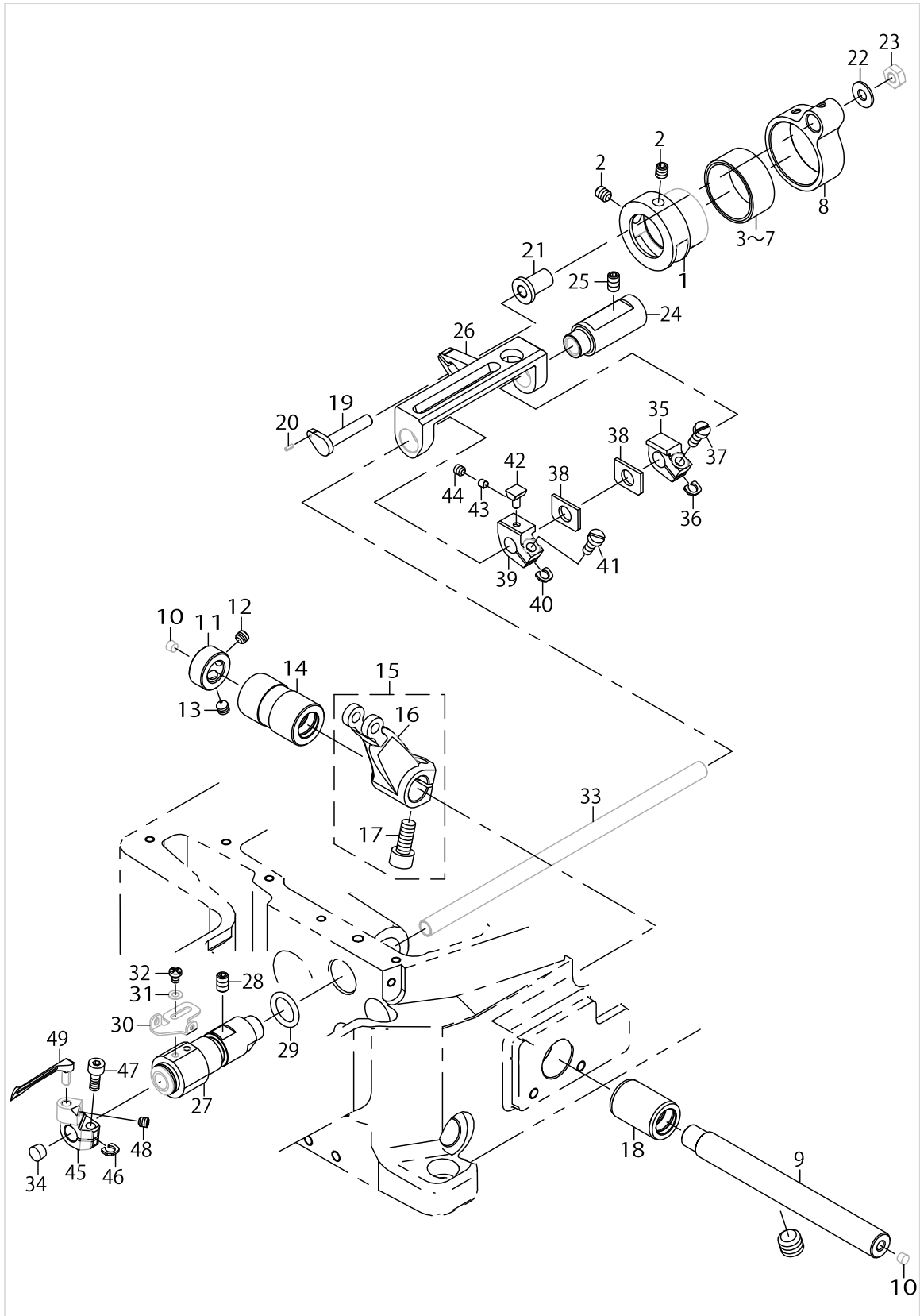
# LOOPER COMPONENTS



LOOPER COMPONENTS

No.	Parts No.	Parts name	Remarks	Level	Cons	Qty
1	13422001	LOOPER ADOID ECCENTRIC				1
2	SM8050612TP	SCREW M5X6				2
3	SB32600020A	BEARING	SELECTIVE PARTS			1
4	SB32600020B	BEARING	SELECTIVE PARTS			1
5	SB32600020C	BEARING	SELECTIVE PARTS			1
6	SB32600020D	BEARING	SELECTIVE PARTS			1
7	SB32600020E	BEARING	SELECTIVE PARTS			1
8	13422605	LOOPER AVOID LINK				1
9	13424304	LOOPER SHAFT				1
10	TA0400301M0	PLUG D=4X4.5 L=3				2
11	CS1000881TP	THRUST COLLAR				1
12	SM8050412TP	SCREW M5 L=4				1
13	SM8050642TP	SCREW				1
14	13423900	BUSHING REAR				1
15	13424452	LEVER ASSY				1
16	13424403	LEVER		*		1
17	SM6061402TP	SCREW M6 L=14		*		1
18	13424502	BUSHING FRONT				1
19	13422704	LOOPER AVOID PIN				1
20	PS0150042K0	SPRING PIN 1.5X 4				1
21	13422803	BUSHING				1
22	13120605	WASHER				1
23	NM6050001SC	NUT M5X0.8 TYPE1				1
24	13423009	BUSHING RIGHT				1
25	SM8050812TP	SCREW M5X8				1
26	13422902	GUIDE LOOPER BAR				1
27	70001761	BUSHING LEFT				1
28	SM8050812TP	SCREW M5X8				1
29	RO118240100	O-RING				1
30	70001762	THREAD GUIDE				1
31	WP0320500SC	WASHER M3				2
32	SM4030455SP	SCREW				2
33	13424601	LOOPER BAR				1
34	TA0600401R0	PLUG				1
35	13423405	HOLDER				1
36	13423801	WASHER				1
37	SM6041000SP	SCREW M4 L=10				1
38	13423603	WASHER				2
39	13423504	SLIDER HOLDER				1
40	13423801	WASHER				1
41	SM6041000SP	SCREW M4 L=10				1
42	13423306	SLIDER				1
43	13423702	PIN				1
44	SM8040412TP	SET SCREW M4 L=4				1
45	13424700	LOOPER HOLDER				1
46	13423801	WASHER				1
47	SM6041002TP	SCREW M4 L=10				1

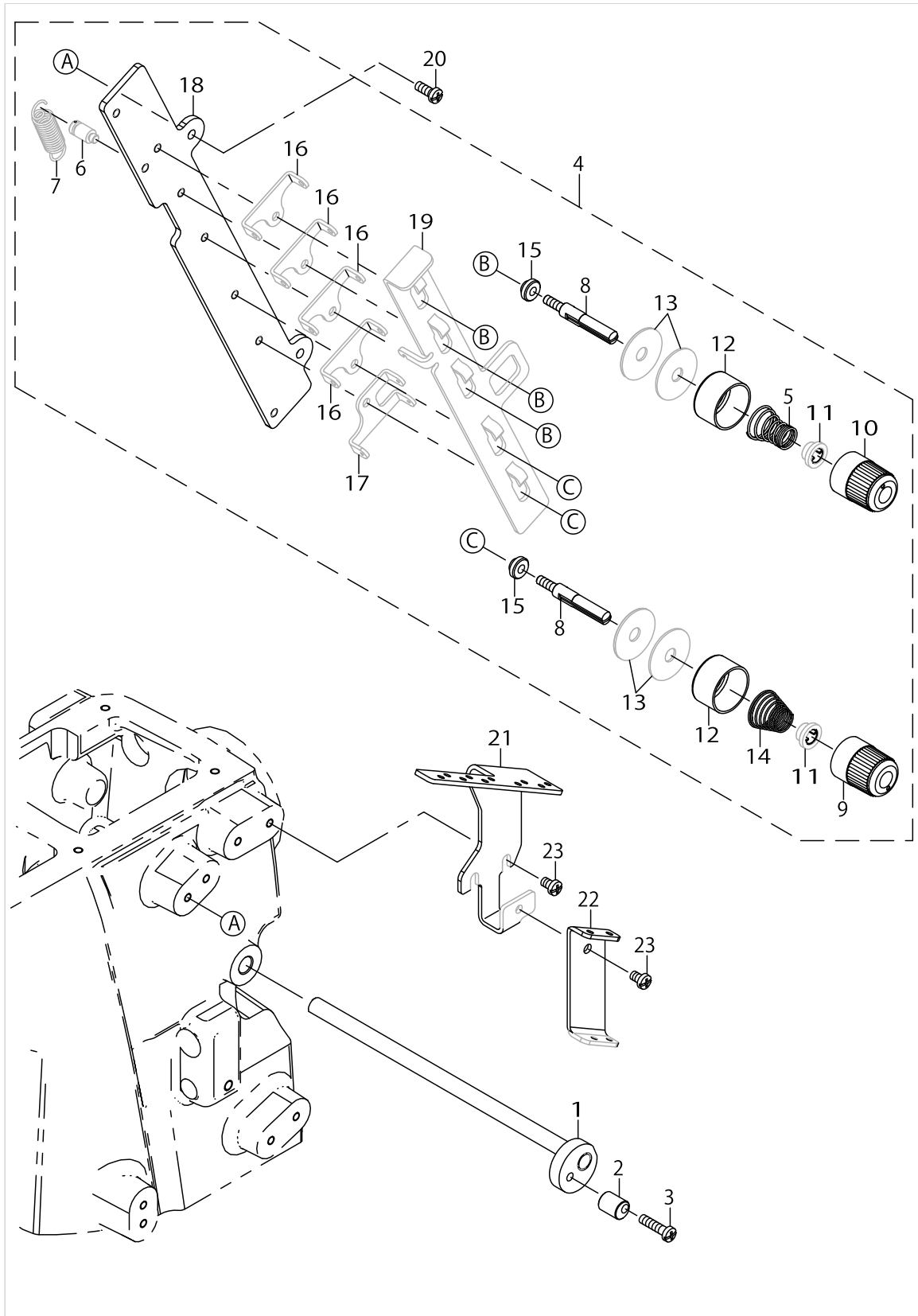
# LOOPER COMPONENTS



## LOOPER COMPONENTS

No.	Parts No.	Parts name	Remarks	Level	Cons	Qty
48	SM8040412TP	SET SCREW M4 L=4				1
49	13424809	LOOPER				1

# THREAD TENSION COMPONENTS

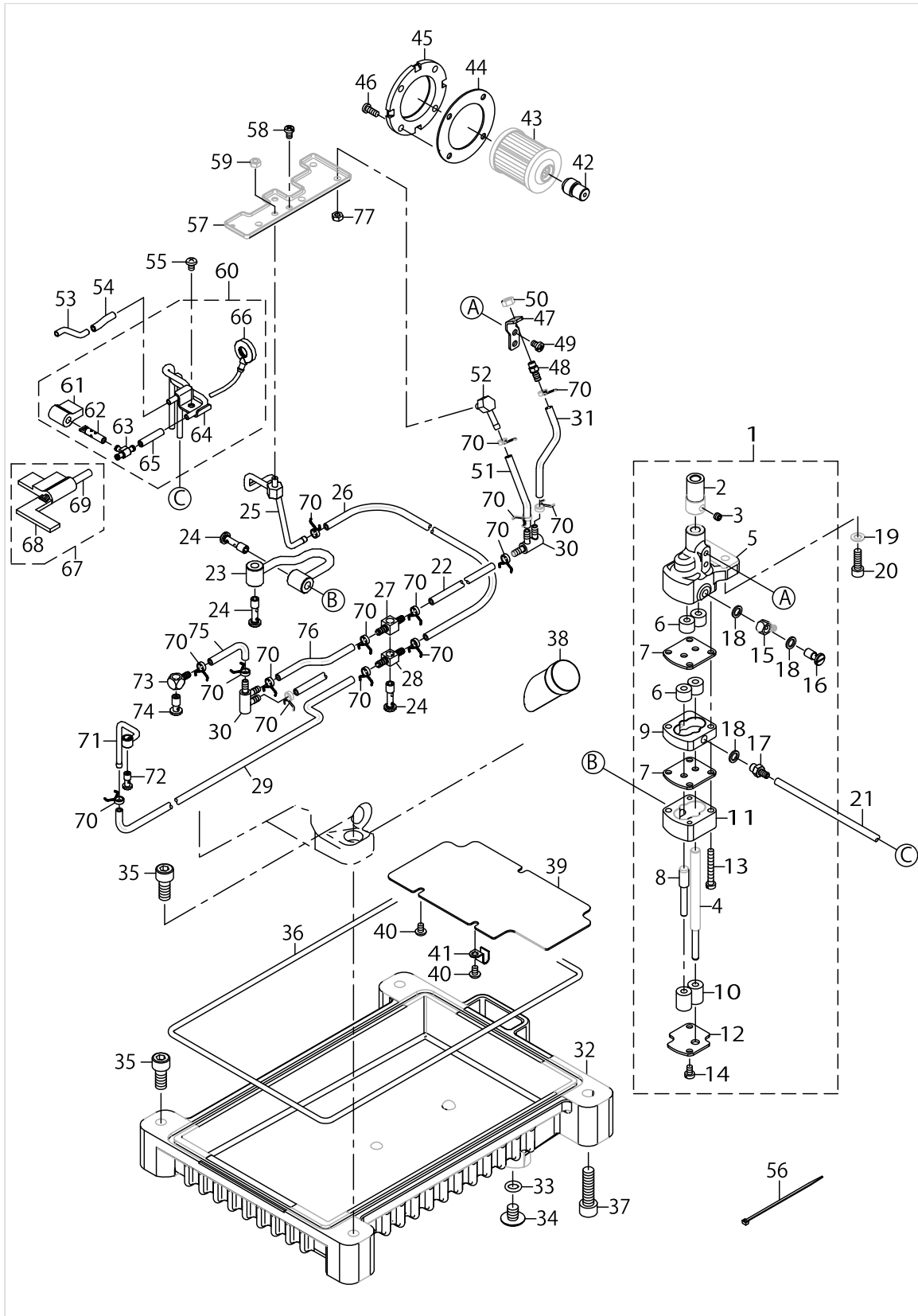


THREAD TENSION COMPONENTS

No.	Parts No.	Parts name	Remarks	Level	Cons	Qty
1	70001610	ASSY PULL OFF LEVER				1
2	40065785	TENS RELEASE ADJ ECC				1
3	SM4041655SP	SCREW M4 L=16				1
4	70001612	THREAD TENSION ASSY				1
5	13140504	TENSION SPRING		*		3
6	13340302	SHOULDER SCREW		*		1
7	26019000	THREAD TENSION SPRING		*		1
8	70001620	TENSION POST		*		5
9	40042363	KNOB		*		2
10	40042364	KNOB GREEN		*		3
11	40042365	SPRING BUSHING		*		5
12	40042366	THREAD TENSION DISK PRESSER		*		5
13	40101602	THREAD TENSION DISC		*		10
14	40102003	SPRING		*		2
15	70001617	SPACER		*		5
16	70001615	TENSION DISC EYELET A		*		4
17	70001616	TENSION DISC EYELET B		*		1
18	70001613	TENSION POST SUPPORT		*		1
19	70001614	TENSION DISC SEPARATOR		*		1
20	SM4041055SP	SCREW				2
21	13340005	THREAD GUIDE PLATE				1
22	13340104	THREAD GUIDE				1
23	SM4040655SP	SCREW M4 L=6				3



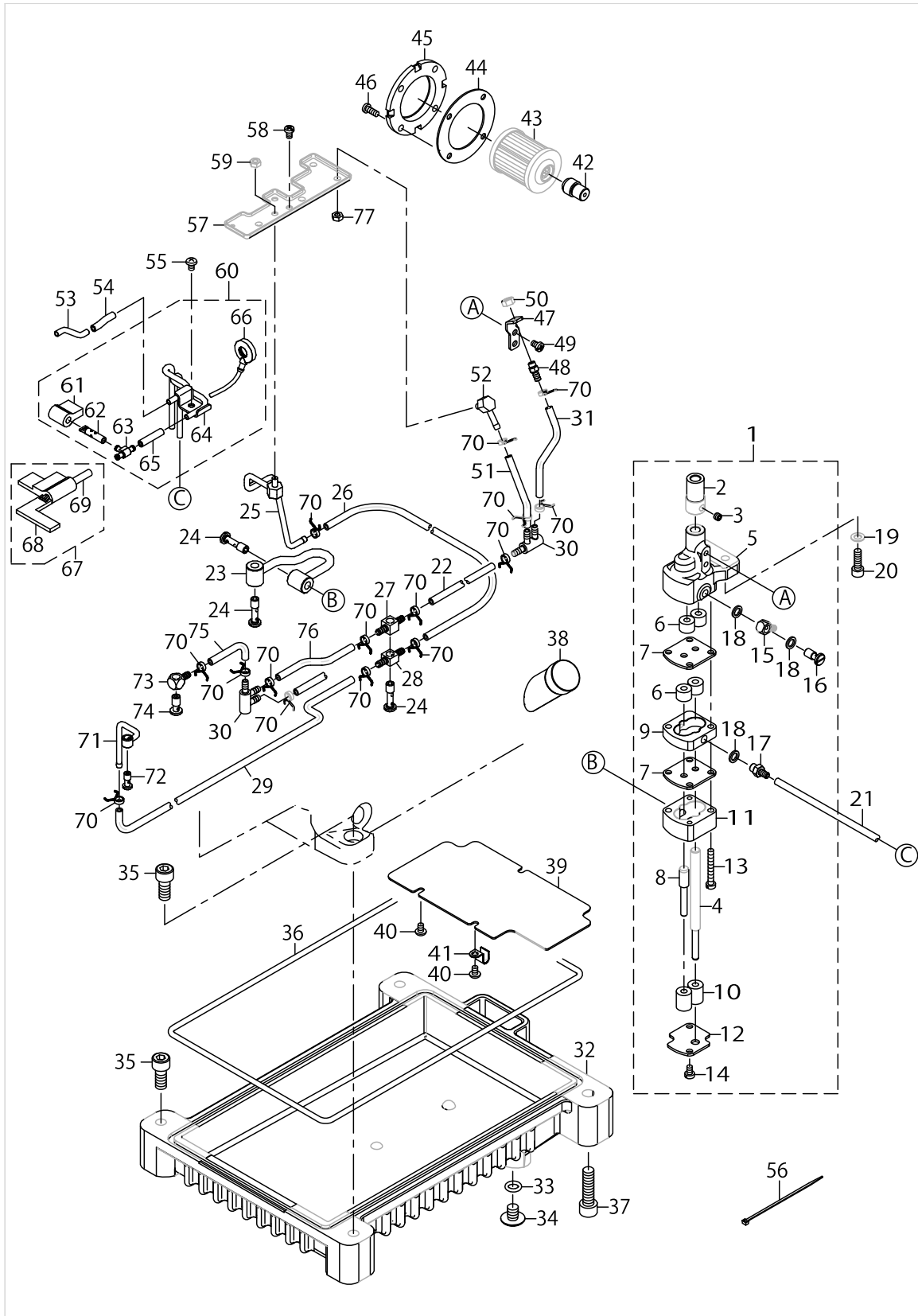
LUBRICATION COMPONENTS



LUBRICATION COMPONENTS

No.	Parts No.	Parts name	Remarks	Level	Cons	Qty
1	13426051	ASSY_PUMP_3-STAGE				1
2	13343009	WORM WHEEL		*		1
3	SM8050412TP	SCREW M5 L=4		*		2
4	13426002	OIL PUMP SHAFT LARGE		*		1
5	13343108	OIL PUMP HOUSING		*		1
6	13228309	OIL PUMP PINION		*		4
7	13343405	OIL PUMP SPACER		*		2
8	13426101	OIL PUMP SHAFT SMALL		*		1
9	13426200	OIL PUMP CASING UPPER		*		1
10	13228200	OIL PUMP PINION		*		2
11	13343207	OIL PUMP CASING		*		1
12	13343306	OIL PUMP COVER		*		1
13	SM6043000SP	SCREW		*		2
14	SM6040600SP	SCREW M4 L=6		*		2
15	SQ0000451MZ	CONNECTING SCREW		*		1
16	SQ2060443SD	CONNECTING SCREW		*		1
17	SQ2060451MZ	CONNECTING SCREW		*		1
18	40004749	GASKET		*		3
19	WP0550800SP	WASHER 5.5X10X0.8				2
20	SM6051602TP	SCREW M5X0.8 L=16				2
21	23630007	TUBE				0.2
22	BP30000010R	VINYL PIPE				0.05
23	13427257	ASSY_OIL_PIPE				1
24	SQ2060442SD	CONNECTING SCREW				3
25	13345053	ASSY_OIL_SUPPLY_FOR_TOP				1
26	BP30000010R	VINYL PIPE				0.5
27	SQ0000453MZ	CONNECTING SCREW				1
28	SQ0000454MZ	CONNECTING SCREW				1
29	BP30000010R	VINYL PIPE				0.13
30	23629504	DISTRIBUTOR				2
31	BP30000010R	VINYL PIPE				1
32	70001769	OIL_PAN				1
33	13170105	RUBBER RING				1
34	13171004	DRAIN SCREW				1
35	SM6081802TP	SCREW				3
36	13426408	O RING				1
37	SM6083002TP	SCREW M8 L=30				1
38	13346101	OIL SIGHT GAUGE				1
39	70001770	DUSTPROOF_PLATE				1
40	SM4040655SP	SCREW M4 L=6				3
41	13427604	TUBE HOLDER				1
42	13343801	FITTING FILTER				1
43	13142500	CARTRIDGE FILTER				1
44	13344809	GASKET O				1
45	13345202	FILTER_COVER				1
46	SM4041055SP	SCREW				4
47	13427307	CONNECTING_SCR_BRACKET				1

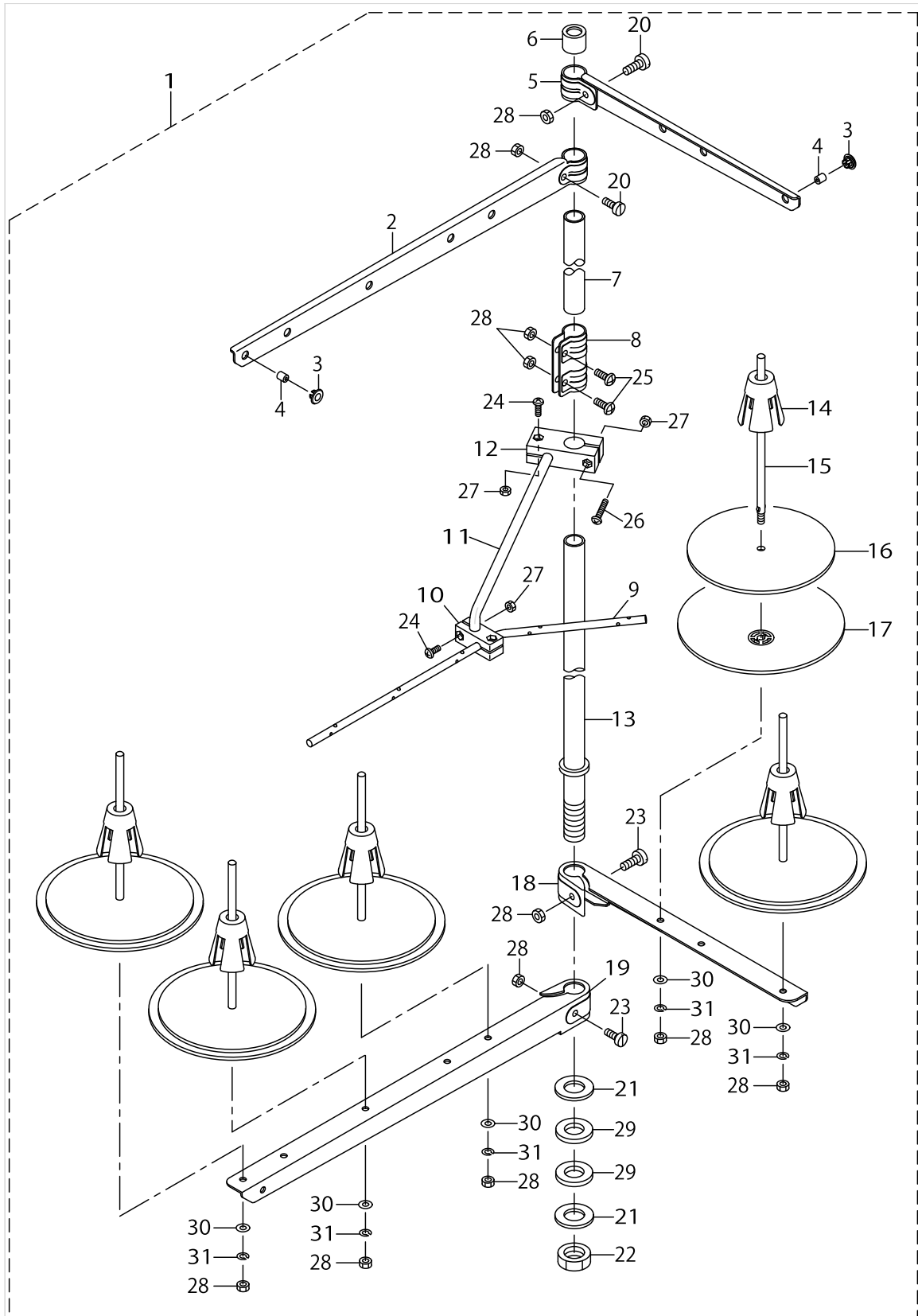
LUBRICATION COMPONENTS



LUBRICATION COMPONENTS

No.	Parts No.	Parts name	Remarks	Level	Cons	Qty
48	SQ2050452MZ	CONNECTING SCREW				1
49	SM4040655SP	SCREW M4 L=6				2
50	NM6050001SC	NUT M5X0.8 TYPE1				1
51	BP30000010R	VINYL PIPE				0.3
52	70001975	ASSY_OIL_SUPPLY				1
53	13428008	OIL_SUCTION_FOR_BUSHING				1
54	23630007	TUBE				0.02
55	SM4040655SP	SCREW M4 L=6				1
56	EA9500B0100	CABLE BAND				2
57	70001631	OIL_SAUCER				1
58	SM4040655SP	SCREW M4 L=6				2
59	NM6040000SN	NUT M4				1
60	13427851	ASSY_BED_SUCTION				1
61	13427802	FELT_FOR_BED_SUCTION		*		1
62	13428305	OIL_TUBE_FOR_SUCTION		*		1
63	13765607	OIL CONNEC. ARM		*		1
64	13426754	OIL SUCTION ASSY		*		1
65	23630007	TUBE		*		0.03
66	13428255	ASSY_LOOPER_SUCTION		*		1
67	13427752	ASSY_CYLINDER_SUCTION				1
68	13427703	FELT_FOR_C_SUCTION		*		1
69	13346408	OIL TUBE FOR SUCTION		*		1
70	23629306	PIPE STOPPER A				15
71	13427455	ASSY_OIL_SUPPLY_FOR_LMS				1
72	SQ2050391SD	CONNECTING SCREW				1
73	SQ0000452MZ	CONNECTING SCREW				1
74	SQ2060443SD	CONNECTING SCREW				1
75	BP30000010R	VINYL PIPE				0.04
76	BP30000010R	VINYL PIPE				0.05
77	NM6040000SN	NUT M4				1

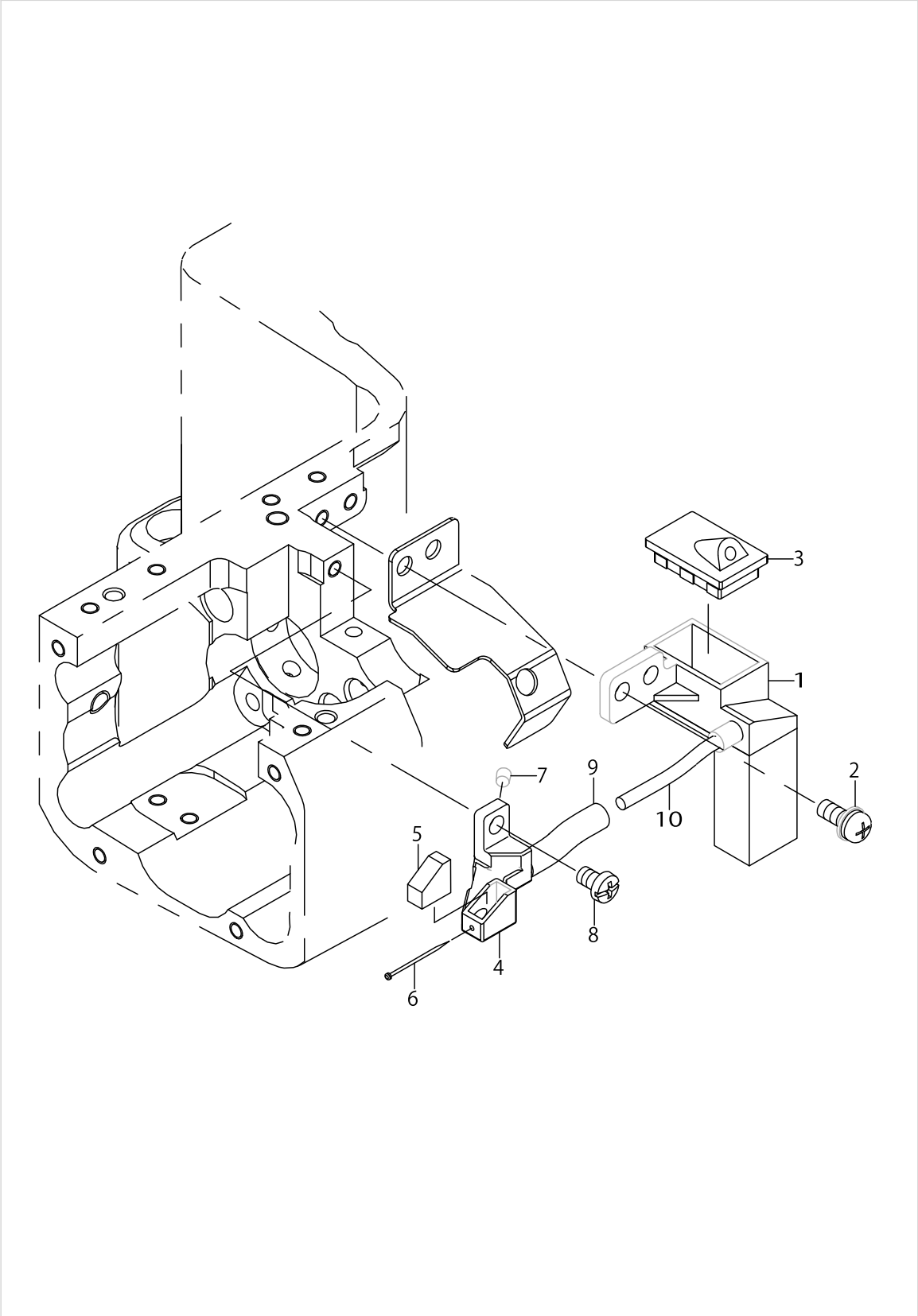
# THREAD STAND COMPONENTS



THREAD STAND COMPONENTS

No.	Parts No.	Parts name	Remarks	Level	Cons	Qty
1	40106591	THREAD STAND ASM.				1
2	40106575	SPOOL REST LONG ARM UPPER		*		1
3	40085794	THREAD GUIDE		*		5
4	40085795	THREAD GUIDE BUSHING		*		5
5	40085787	SPOOL REST ARM UPPER		*		1
6	40085793	SPOOL REST ROD RUBBER CAP		*		1
7	40085785	SPOOL REST ROD UPPER		*		1
8	40085792	SPOOL REST ROD JOINT		*		1
9	40106581	THREAD GUIDE 5		*		1
10	40106580	THREAD GUIDE UNDER BASE		*		1
11	40106576	THREAD GUIDE ARM		*		1
12	40106579	THREAD GUIDE ARM BASE		*		1
13	40085784	SPOOL REST ROD LOWER		*		1
14	40085791	SPOOL RETAINER		*		5
15	40085790	SPOOL PIN		*		5
16	40085789	SPOOL REST CUSHION		*		5
17	40085788	SPOOL REST		*		5
18	40085786	SPOOL REST ARM LOWER		*		1
19	40106574	SPOOL REST LONG ARM LOWER		*		1
20	40096327	SPOOL REST ARM UPPER SCREW		*		2
21	40085796	SPOOL REST ROD RUBBER CUSHION		*		2
22	40096325	SPOOL REST ROD NUT		*		1
23	40096326	SPOOL REST ARM LOWER SCREW		*		2
24	SM4041201SC	SCREW.M4X0.7_L=12		*		3
25	SM4051405SE	SCREW M5 L=14		*		2
26	SM4042501SC	SCREW M4X0.7 L=25		*		1
27	NM6040002SC	NUT_M4X0.7 TYPE2		*		4
28	NM6050001SE	NUT M5X0.8 TYPE1		*		11
29	WP1612616SE	WASHER 16X30X2.6		*		2
30	WP0531001SC	WASHER M5		*		5
31	WS0510002KN	SPRING WASHER M5		*		5

NEEDLE COOLING COMPONENTS

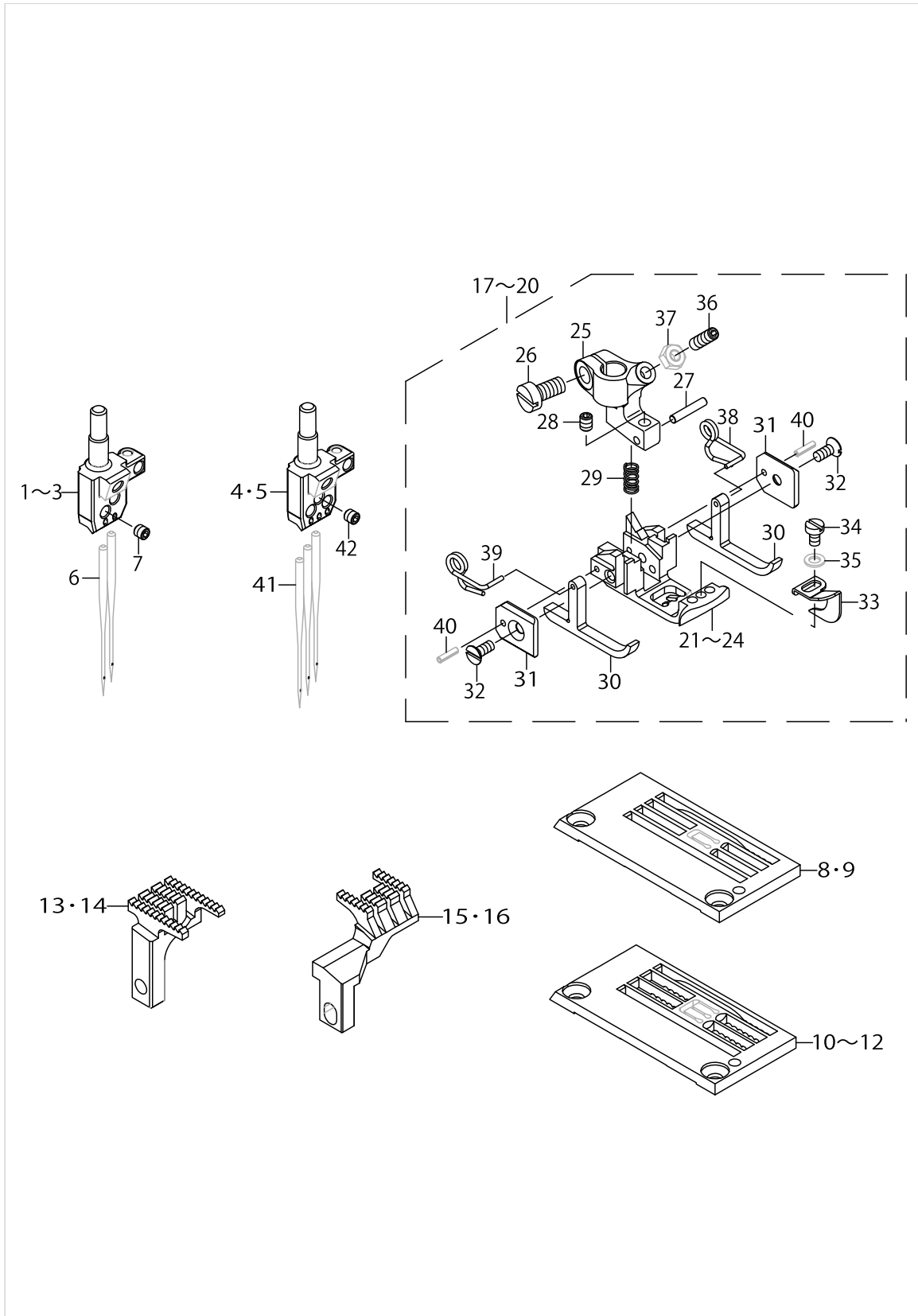


## NEEDLE COOLING COMPONENTS

No.	Parts No.	Parts name	Remarks	Level	Cons	Qty
1	13429055	SILICONE OIL TANK ASSY				1
2	SL4041081SC	SCREW M4 L=10				2
3	13429105	SILICONE OIL TANK CAP				1
4	13429204	SILICONE OIL CUP				1
5	13429303	FELT				1
6	11856101	NEEDLE COOLER PIN				1
7	TA0290301M0	PLUG				1
8	SM4040655SP	SCREW M4 L=6				1
9	BT0600402EA	OIL TUBE				0.03
10	CQ303000000	OIL WICK				0.1



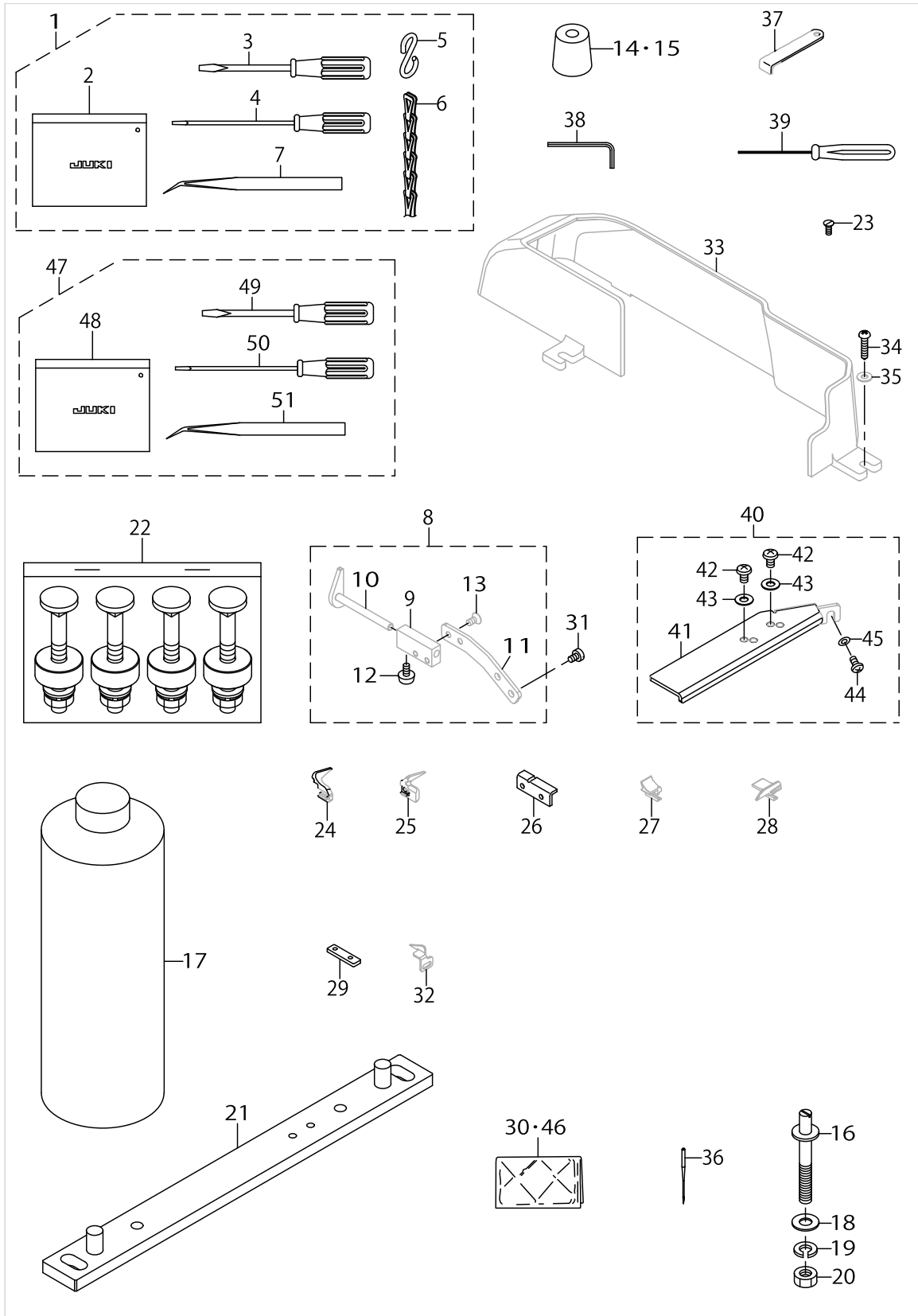
GAUGE PARTS COMPONENTS



GAUGE PARTS COMPONENTS

No.	Parts No.	Parts name	Remarks	Level	Cons	Qty
1	13350004	NEEDLE HEAD 32	FOR B32			1
2	13350103	NEEDLE HEAD 40	FOR B40			1
3	13350509	NEEDLE HEAD 48	FOR B48			1
4	13350301	NEEDLE HEAD 56	FOR B56			1
5	13350400	NEEDLE HEAD 64	FOR B64			1
6	MUY128S1000	NEEDLE				2
7	SM8030312TP	SCREW M3 L=3				3
8	40058587	THROAT PLATE	FOR B32			1
9	40058706	THROAT PLATE	FOR B40			1
10	40040514	THROAT PLATE	FOR B48			1
11	40058033	THROAT PLATE	FOR B56			1
12	40040513	THROAT PLATE	FOR B64			1
13	13431200	MAIN FEED DOG	FOR B32,B40,48			1
14	13430103	MAIN FEED DOG	FOR B56,B64			1
15	13433503	DIFF FEED DOG	FOR B32,B40,48			1
16	13432109	DIFF FEED DOG	FOR B56,B64			1
17	40090133	PRESSER FOOT ASSY	FOR B32			1
18	40090196	PRESSER FOOT ASSY	FOR B40			1
19	40090197	PRESSER FOOT ASSY	FOR B48			1
20	40082974	PRESSER FOOT ASSY	FOR B56,B64			1
21	40090130	PRESSER FOOT BOTTOM	FOR B32	*		1
22	40090131	PRESSER FOOT BOTTOM	FOR B40	*		1
23	40090132	PRESSER FOOT BOTTOM	FOR B48	*		1
24	40082975	PRESSER FOOT BOTTOM	FOR B56,B64	*		1
25	40070224	PRESSER FOOT HINGE		*		1
26	SM6040800SP	SCREW		*		1
27	13375209	PIVOT PIN		*		1
28	SM8030412TP	SCREW		*		1
29	13377106	SPRING		*		1
30	40070226	P F YIELDING SECTION		*		2
31	40070227	GUIDE PLATE		*		2
32	SM1850600SP	SCREW		*		2
33	40070231	PRESSER FOOT GUIDE		*		1
34	SM6850400SP	SCREW M2.5 L=4		*		1
35	WP0280500SC	WASHER		*		1
36	SM8031002TP	SCREW		*		1
37	NM6030001SD	NUT M3X0.5		*		1
38	40070230	SPRING R		*		1
39	40070229	SPRING L		*		1
40	PS0150065KP	SPRING PIN 1.5X6		*		2
41	MUY128S1000	NEEDLE				3
42	SM8030312TP	SCREW M3 L=3				4

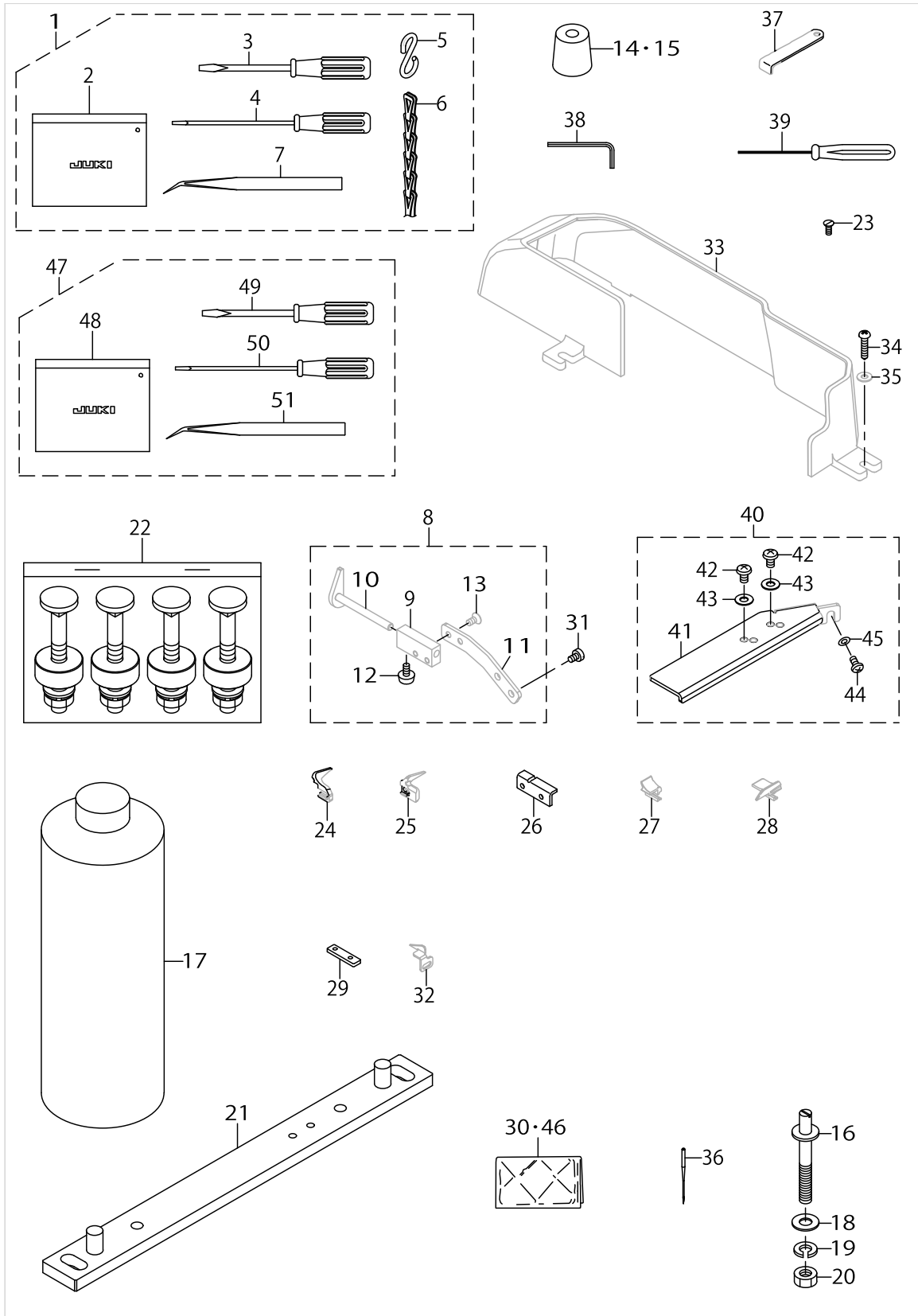
ACCESSORIES PARTS COMPONENTS



ACCESSORIES PARTS COMPONENTS

No.	Parts No.	Parts name	Remarks	Level	Cons	Qty
1	40013913	ACCESSORY_BAG_ASSY				1
2	22932800	ACCESSORIE BAG		*		1
3	22933105	SCREW DRIVER,MIDDLE		*		1
4	12347308	SCREW DRIVER (SMALL)		*		1
5	13160304	S SHAPED HOOK		*		2
6	70001840	CHAIN		*		1
7	12288403	TWEEZERS		*		1
8	70001964	HEM_GUIDE_BASE_ASSY				1
9	70001963	HEM_GUIDE_BASE_2		*		1
10	70001967	HEM_GUIDE		*		1
11	70001962	HEM_GUIDE_BASE_1		*		1
12	40019379	KNOB_SCREW		*		1
13	SM1040801SC	SCREW M4X0.7 L=8		*		2
14	40072505	ISOLATOR				1
15	13155403	ISOLATOR				3
16	13349600	PIN_FOR_RUBBER_CUSHION				4
17	MML018800CB	JUKI CORPORATION GENUINE OIL 1				1
18	WP0851216SC	WASHER 8.5X18.0X1.2				4
19	WS0820002KR	SPRING WASHER, M8				4
20	NM6080001SC	NUT M8X1.25				4
21	13348859	SUPPORT_PLATE_ASSY	SEMI-SUBMERGED TYPE			2
22	40026691	ASSY_BOLT_SET(7800_SUBMERGED)	SEMI-SUBMERGED TYPE			1
23	13302203	SCREW				1
24	70001813	COVERING_GUIDE_RIGHT				1
25	70001814	COVERING_GUIDE_LEFT				1
26	70001847	BRACKET				1
27	70001838	COVERING_GUARD_L				1
28	70001839	COVERING_GUARD_R				1
29	70001848	BRACKET				1
30	40066644	HEAD_COVER	FOR UT			1
31	SM6040650TP	SCREW				2
32	70001842	GUIDE_LEFT				1
33	70001832	BELT_COVER				1
34	SK3412001SE	WOOD SCREW D=4.1 L=20				3
35	WP0450826SC	WASHER 4.5X10X0.8				3
36	MUY128S1003	NEEDLES(PACKAGE_OF_3)				1
37	B9101490000	DRIVER				1
38	J106600000B	HEXAGONAL WRENCH KEY (2MM)				1
39	40032763	HEXAGONAL_DRIVER(1.5)				1
40	70001845	BINDER_BRACKET_ASSY				1
41	70001844	BINDER_BRACKET		*		1
42	SM5050855SN	SCREW M5 L=8		*		2
43	WP0550836SC	WASHER 5.5X12X0.8		*		2
44	SM4040855SP	SCREW		*		2
45	WP0450801SC	WASHER 4.5X10X0.8		*		2
46	40066645	HEAD_COVER				1
47	70004227	ACCESSORY_BAG_ASSY	FOR UT			1

ACCESSORIES PARTS COMPONENTS



ACCESSORIES PARTS COMPONENTS

No.	Parts No.	Parts name	Remarks	Level	Cons	Qty
48	22932800	ACCESSORIE BAG		*		1
49	22933105	SCREW DRIVER,MIDDLE		*		1
50	12347308	SCREW DRIVER (SMALL)		*		1
51	12288403	TWEEZERS		*		1

## HOW TO MAKE USE OF THIS PARTS LIST

1.As to "#01" and "#02" refer to the "Note" given at the bottom of the respective pages.

2.Codes on the "Qty" column

- Each numeral indicates the number of parts required.
- "0.1" and "2.5" indicate the length (in meters) of the respective parts.

3.Parentheses mean that the corresponding part is a subpart that constructs an assembly part.

4.Dotted lines on the Figures indicate assembly parts.

1. リストページの# 0 1、# 0 2の印は、ページ下の"注記"の説明を参照下さい。
2. 数量欄の数字は、個数を表し、0. 1、2. 5等の数値は、長さ（単位メートル）を表します。
3. 数量欄の（ ）は、組部品を構成している子部品であることを意味します。
4. イラストページの-----枠は、組構成であることを意味します。

NUMERICAL INDEX OF PARTS

PART NO	PAGE	REF NO.	PART NO	PAGE	REF NO.	PART NO	PAGE	REF NO.
10753309	2	9	13323506	16	9~11	13348859	50	21
11856101	46	6	13324108	8	62	13349600	50	16
12288403	50	51	13324108	10	62	13350004	48	1~3
12288403	52	51	13324504	24	5	13350103	48	1~3
12347308	50	50	13324603	24	8	13350301	48	4·5
12347308	52	50	13324702	24	10	13350400	48	4·5
13120605	18	80	13324900	24	14	13350509	48	1~3
13120605	34	22	13325006	24	16	13375209	48	27
13123302	22	40	13325204	24	24	13377106	48	29
13140504	38	5	13325808	26	48	13399209	28	11
13142500	40	43	13325907	26	49	13401906	4	5
13155403	50	14·15	13326004	26	50	13402003	4	24
13160304	50	5	13326103	26	51	13402706	4	37
13170105	40	33	13326202	26	52	13402805	30	36
13171004	40	34	13326202	30	35	13403605	4	43
13217401	22	36	13326301	24	39	13406707	8	2
13217500	22	35	13326400	24	40	13407408	8	5
13217708	22	38	13326509	24	42	13407903	8	30
13228200	40	10	13326608	24	44	13408307	10	79
13228309	40	6	13326707	26	54	13408406	8	7
13300801	2	12	13326806	12	45	13408505	8	9
13301700	2	15	13326905	24	35	13408604	8	31
13301809	4	30	13328000	28	3	13408703	8	28
13302203	4	17	13328208	28	4	13409107	18	66
13302203	50	23	13328802	28	27	13409602	22	4
13302302	4	32	13329008	28	13	13409651	22	3
13307251	8	46	13329206	28	22	13409701	22	5
13307301	10	51	13331301	30	8	13409800	4	42
13308507	8	22	13332606	30	5	13409800	22	6
13309208	10	71	13338900	28	23	13409909	22	1
13313101	12	3	13340005	38	21	13410204	16	13
13313309	12	4	13340104	38	22	13410600	16	22~24
13313804	12	11	13340302	38	6	13410709	16	22~24
13314109	12	15	13343009	40	2	13410808	16	22~24
13315205	12	18·21	13343108	40	5	13411152	18	82
13315908	12	8	13343207	40	11	13411301	18	76
13317300	16	21	13343306	40	12	13411400	18	75
13318001	18	71	13343405	40	7	13411509	16	36
13318308	18	81	13343801	40	42	13411707	18	64
13318704	16	15~17	13344809	40	44	13411806	18	69
13318803	16	15~17	13345053	40	25	13411905	18	52
13318902	16	15~17	13345202	40	45	13412002	18	49~51
13321203	22	39	13346101	40	38	13412101	18	49~51
13323308	16	9~11	13346408	42	69	13412200	18	49~51
13323407	16	9~11	13348008	24	19	13412705	22	20



NUMERICAL INDEX OF PARTS

PART NO	PAGE	REF NO.	PART NO	PAGE	REF NO.	PART NO	PAGE	REF NO.
13413208	22	21	13423702	34	43	22945802	24	41
13413604	18	58	13423801	34	46	23612609	24	9
13413703	18	89	13423900	34	14	23629306	42	70
13413802	18	90	13424304	34	9	23629504	40	30
13413901	18	87	13424403	34	16	23630007	40	65
13413950	18	86	13424452	34	15	23630007	42	65
13414008	18	88	13424502	34	18	26019000	38	7
13414107	18	92	13424601	34	33	40004749	40	18
13414206	18	94	13424700	34	45	40013913	50	1
13414404	16	42	13424809	36	49	40017824	8	35
13414503	18	61	13426002	40	4	40019335	30	13
13415708	16	26	13426051	40	1	40019379	50	12
13415906	16	29	13426101	40	8	40026691	50	22
13416003	22	9	13426200	40	9	40032763	50	39
13416052	22	8	13426408	40	36	40033341	2	14
13416102	22	10	13426754	42	64	40040155	22	33
13416201	22	11	13426903	6	68	40040208	22	26
13416409	22	16	13427257	40	23	40040513	48	10~12
13416458	22	15	13427307	40	47	40040514	48	10~12
13416508	22	19	13427455	42	71	40042363	38	9
13416607	22	17	13427604	40	41	40042364	38	10
13416706	22	23	13427703	42	68	40042365	38	11
13416854	22	22	13427752	42	67	40042366	38	12
13420005	32	8	13427802	42	61	40058033	48	10~12
13420104	32	11	13427851	42	60	40058587	48	8·9
13420203	32	15	13428008	42	53	40058706	48	8·9
13420302	32	17	13428255	42	66	40065785	38	2
13420401	32	1	13428305	42	62	40066644	50	30·46
13420500	32	5	13429055	46	1	40066645	50	30·46
13420609	32	6	13429105	46	3	40070224	48	25
13420906	32	18	13429204	46	4	40070226	48	30
13421003	32	10	13429303	46	5	40070227	48	31
13421201	32	2	13430103	48	13·14	40070229	48	39
13421300	32	12	13431200	48	13·14	40070230	48	38
13421409	32	19	13432109	48	15·16	40070231	48	33
13422001	34	1	13433503	48	15·16	40070573	12	2
13422605	34	8	13765607	42	63	40070574	12	1
13422704	34	19	22901805	2	34	40072505	50	14·15
13422803	34	21	22902506	2	2	40074316	24	25
13422902	34	26	22924708	2	11	40078278	10	65~67
13423009	34	24	22932800	50	48	40078279	10	65~67
13423306	34	42	22932800	52	48	40078280	10	65~67
13423405	34	35	22933105	50	49	40078282	10	77
13423504	34	39	22933105	52	49	40078291	14	56
13423603	34	38	22945505	24	43	40078292	14	50

# NUMERICAL INDEX OF PARTS

PART NO	PAGE	REF NO.	PART NO	PAGE	REF NO.	PART NO	PAGE	REF NO.
40078293	12	47	40090133	48	17~20	70001483	12	9
40078293	28	33	40090196	48	17~20	70001485	12	13
40078295	14	60	40090197	48	17~20	70001486	12	19
40078296	14	65	40096325	44	22	70001487	12	29
40078299	14	63	40096326	44	23	70001488	12	32
40078300	14	64	40096327	44	20	70001489	12	33
40078301	14	57	40100769	30	34	70001490	12	34
40078302	14	52	40100771	30	26	70001491	12	39
40078303	14	54	40100773	30	25	70001492	12	42
40078304	14	58	40101602	38	13	70001493	12	43
40078305	14	51	40102003	38	14	70001494	12	22
40078306	14	53	40106574	44	19	70001495	12	25
40078307	12	17	40106575	44	2	70001498	12	18·21
40078311	28	15	40106576	44	11	70001499	12	7
40078312	28	16	40106579	44	12	70001500	14	70
40078313	28	17	40106580	44	10	70001524	16	1
40078314	28	18	40106581	44	9	70001525	16	2
40078317	14	62	40106591	44	1	70001535	10	60
40078318	28	1	40172767	28	21	70001536	10	61
40078319	28	2	70001403	18	67	70001537	24	3
40078320	14	66	70001407	2	28	70001540	24	18
40081965	8	34	70001409	2	7	70001541	24	29
40082196	4	15	70001411	2	1	70001542	24	31
40082974	48	17~20	70001414	4	40	70001543	24	32
40082975	48	21~24	70001416	2	5	70001544	26	58
40085784	44	13	70001421	2	13	70001545	26	60
40085785	44	7	70001430	2	25	70001546	24	20
40085786	44	18	70001432	10	74	70001548	24	13
40085787	44	5	70001436	6	54	70001555	28	6
40085788	44	17	70001437	8	43	70001561	28	10
40085789	44	16	70001439	8	44	70001562	28	14
40085790	44	15	70001440	10	54	70001584	30	38
40085791	44	14	70001442	10	58	70001610	38	1
40085792	44	8	70001443	10	49	70001612	38	4
40085793	44	6	70001444	10	63	70001613	38	18
40085794	44	3	70001451	8	39	70001614	38	19
40085795	44	4	70001454	10	57	70001615	38	16
40085796	44	21	70001458	8	25	70001616	38	17
40085995	26	55	70001462	14	49	70001617	38	15
40087068	30	3	70001463	14	59	70001620	38	8
40087083	14	68	70001465	14	48	70001631	42	57
40087101	14	69	70001477	12	37	70001638	10	55
40090130	48	21~24	70001478	12	35	70001642	6	58
40090131	48	21~24	70001480	12	5	70001643	6	59
40090132	48	21~24	70001481	12	6	70001645	6	56

# NUMERICAL INDEX OF PARTS

PART NO	PAGE	REF NO.	PART NO	PAGE	REF NO.	PART NO	PAGE	REF NO.
70001648	4	33	70001735	30	18	B3215470000	18	74
70001650	4	31	70001738	30	29	B9101490000	50	37
70001652	4	45	70001745	30	31	B9214850000	24	21
70001653	4	3	70001749	32	3	BP30000010R	40	76
70001655	4	2	70001750	32	14	BP30000010R	42	76
70001657	4	1	70001751	30	41	BT0600402EA	46	9
70001661	4	10	70001752	30	22	CM300200001	2	35
70001662	4	20	70001753	30	42	CM300200001	6	63
70001663	4	21	70001754	30	12	CM301200001	2	26
70001667	4	12	70001758	30	43	CQ200000000	18	48
70001668	4	26	70001761	34	27	CQ202000000	16	18·19
70001670	4	27	70001762	34	30	CQ300000001	8	33
70001671	4	35	70001764	30	33	CQ300000001	16	63
70001673	6	52	70001765	16	45	CQ300000001	18	63
70001677	2	22	70001769	40	32	CQ303000000	16	25
70001678	4	46	70001770	40	39	CQ303000000	46	10
70001680	8	15	70001813	50	24	CS1000881TP	22	31
70001681	8	41	70001814	50	25	CS1000881TP	24	6
70001682	8	27	70001830	6	62	CS1000881TP	28	25
70001683	8	29	70001831	6	61	CS1000881TP	34	11
70001685	8	17	70001832	50	33	EA9500B0100	42	56
70001686	8	20	70001837	2	27	J106600000B	50	38
70001687	8	16	70001838	50	27	MML018800CB	50	17
70001697	16	3	70001839	50	28	MUY128S1000	48	41
70001699	18	55	70001840	50	6	MUY128S1003	50	36
70001700	16	6	70001842	50	32	NM6030001SC	30	37
70001701	16	39	70001844	50	41	NM6030001SD	48	37
70001702	16	27	70001845	50	40	NM6040000SN	2	19
70001703	16	28	70001847	50	26	NM6040000SN	4	51
70001705	18	65	70001848	50	29	NM6040000SN	6	51
70001706	18	68	70001954	32	21	NM6040000SN	16	35
70001707	22	25	70001962	50	11	NM6040000SN	42	77
70001709	22	28	70001963	50	9	NM6040002SC	44	27
70001710	22	29	70001964	50	8	NM6050001SC	16	79
70001711	22	30	70001967	50	10	NM6050001SC	18	79
70001712	22	47	70001975	42	52	NM6050001SC	24	45
70001714	20	97	70001988	30	1	NM6050001SC	28	8
70001715	16	7	70003278	8	21	NM6050001SC	34	23
70001716	16	40	70003316	8	11	NM6050001SC	42	50
70001718	22	37	70004184	8	38	NM6050001SE	44	28
70001719	18	84	70004223	28	29·31	NM6060001CP	12	27
70001720	16	5	70004224	28	29·31	NM6080001SC	50	20
70001721	16	38	70004227	50	47	NM6850001SC	30	40
70001729	30	6	70004636	8	1	PH0300252C0	4	7
70001734	30	16	B2546232000	16	30	PS0150042K0	34	20

NUMERICAL INDEX OF PARTS

PART NO	PAGE	REF NO.	PART NO	PAGE	REF NO.	PART NO	PAGE	REF NO.
PS0150065KP	48	40	SM1040860SP	4	25	SM6030800SP	4	47
PS0150082KH	24	22	SM1850600SP	48	32	SM6040600SP	40	14
PS0300122KH	8	32	SM4030455SN	2	17	SM6040650TP	30	30
PS0400082KP	24	34	SM4030455SP	30	24	SM6040650TP	50	31
PS0500142KP	12	20	SM4030455SP	34	32	SM6040750TP	4	19
PS0500202KP	22	46	SM4030855SN	2	18	SM6040800SP	4	22
RC1900002KP	6	69	SM4030855SN	12	46	SM6040800SP	12	38
RE0300000K0	22	45	SM4030855SN	24	27	SM6040800SP	20	95
RE0500000K0	16	78	SM4040655SP	2	23	SM6040800SP	24	47
RE0500000K0	18	78	SM4040655SP	4	53	SM6040800SP	32	4
RO037180100	4	9	SM4040655SP	6	53	SM6040800SP	48	26
RO055200100	18	77	SM4040655SP	8	40	SM6041000SP	12	55
RO068190100	18	83	SM4040655SP	12	10	SM6041000SP	14	55
RO068190100	22	27	SM4040655SP	22	42	SM6041000SP	18	91
RO118240100	34	29	SM4040655SP	24	56	SM6041000SP	28	30
RO195240100	2	10	SM4040655SP	26	56	SM6041000SP	34	41
RO445300100	10	78	SM4040655SP	30	44	SM6041002TP	34	47
SB110001800	30	7	SM4040655SP	38	23	SM6041200SP	12	14
SB115000600	30	10	SM4040655SP	40	58	SM6041200SP	28	28
SB115002300	8	14	SM4040655SP	42	58	SM6041202TP	12	23
SB120001800	8	4	SM4040655SP	46	8	SM6042002TP	16	34
SB120001900	10	68	SM4040855SP	2	6	SM6043000SP	40	13
SB120002200	10	53	SM4040855SP	4	60	SM6050800SP	4	44
SB32600020A	34	3~7	SM4040855SP	6	60	SM6050800SP	30	17
SB32600020B	34	3~7	SM4040855SP	50	44	SM6051002TP	12	30
SB32600020C	34	3~7	SM4041055SP	2	8	SM6051002TP	24	1
SB32600020D	34	3~7	SM4041055SP	4	50	SM6051202TP	12	61
SB32600020E	34	3~7	SM4041055SP	6	50	SM6051202TP	14	61
SD0550906TP	8	18	SM4041055SP	12	41	SM6051400SP	16	32
SD0640246SP	2	20	SM4041055SP	24	15	SM6051400SP	22	24
SD0640246SP	30	21	SM4041055SP	38	20	SM6051402TP	24	12
SD0700206TP	12	16	SM4041055SP	40	46	SM6051602TP	6	55
SD0700586TP	12	24	SM4041201SC	44	24	SM6051602TP	40	20
SD0800626TH	18	60	SM4041655SP	38	3	SM6052502TP	22	34
SD0801636TH	18	54	SM4042501SC	44	26	SM6061200SP	10	73
SD0801866TH	18	59	SM4051055SP	6	64	SM6061202TP	12	28
SK3412001SE	50	34	SM4051255SP	18	85	SM6061402TP	10	59
SL4041081SC	46	2	SM4051405SE	44	25	SM6061402TP	28	9
SM1030400SP	6	57	SM4060801SE	2	21	SM6061402TP	34	17
SM1030501SN	4	28	SM4850455SP	22	14	SM6062550TP	12	26
SM1030800SM	30	4	SM4850455SP	24	37	SM6081802TP	40	35
SM1040650TP	24	38	SM4850455SP	30	28	SM6083002TP	40	37
SM1040750TP	26	59	SM5030555SN	30	32	SM6850400SP	48	34
SM1040800SP	4	36	SM5050855SN	50	42	SM6850802TN	30	39
SM1040801SC	50	13	SM6030650TP	22	12	SM8030312TP	24	26

NUMERICAL INDEX OF PARTS

PART NO	PAGE	REF NO.	PART NO	PAGE	REF NO.	PART NO	PAGE	REF NO.
SM8030312TP	48	42	SM8061212TP	8	45	WP0460556SD	22	44
SM8030412TP	48	28	SM8080812TP	10	72	WP0522016SH	24	4
SM8031002TP	48	36	SM8550952TP	8	42	WP0531000SD	4	39
SM8040360TP	4	38	SM9061050TP	28	20	WP0531001SC	44	30
SM8040412TP	4	34	SQ0000451MZ	40	15	WP0550800SP	28	7
SM8040412TP	18	73	SQ0000452MZ	42	73	WP0550800SP	40	19
SM8040412TP	22	7	SQ0000453MZ	40	27	WP0550836SC	50	43
SM8040412TP	28	12	SQ0000454MZ	40	28	WP0551016SH	12	31
SM8040412TP	32	20	SQ2050391SD	42	72	WP0621016SD	22	41
SM8040412TP	34	48	SQ2050452MZ	42	48	WP0851216SC	50	18
SM8040412TP	36	48	SQ2060442SD	40	24	WP1022016SH	28	24
SM8040512TP	12	44	SQ2060443SD	40	74	WP1612616SE	44	29
SM8040602TP	18	72	SQ2060443SD	42	74	WS0510002KN	24	11
SM8040612TP	22	18	SQ2060451MZ	40	17	WS0510002KN	44	31
SM8041012TP	4	13	ST4040851SN	24	23	WS0510002KP	4	41
SM8050412TP	8	26	TA0290301M0	46	7	WS0510002KP	24	2
SM8050412TP	28	26	TA0400301M0	34	10	WS0820002KR	50	19
SM8050412TP	34	12	TA0500601M0	16	62	WZ0641510KP	2	16
SM8050412TP	40	3	TA0500601M0	18	62	WZ0641510KP	30	20
SM8050612TP	8	10	TA0600401R0	28	32			
SM8050612TP	16	99	TA0600401R0	34	34			
SM8050612TP	20	99	TA0620504R0	30	2			
SM8050612TP	22	32	TA0850604R0	2	33			
SM8050612TP	24	7	TA0850604R0	14	67			
SM8050612TP	30	11	TA0980502R0	4	23			
SM8050612TP	32	13	TA1050504R0	2	3			
SM8050612TP	34	2	TA1250705R0	2	31			
SM8050642TP	34	13	TA2000502R0	6	65			
SM8050812TP	18	93	TA2050406R0	2	30			
SM8050812TP	34	28	TA2351004R0	2	24			
SM8060552TP	8	23	TA2351004R0	6	66			
SM8060552TP	16	98	WP0280500SC	30	27			
SM8060552TP	18	98	WP0280500SC	48	35			
SM8060552TP	20	98	WP0280501SC	24	36			
SM8060552TP	22	13	WP0320500SC	34	31			
SM8060552TP	30	14	WP0320501SC	30	23			
SM8060612TP	6	67	WP0410516SD	30	19			
SM8060612TP	8	70	WP0450801SC	6	49			
SM8060612TP	10	70	WP0450801SC	26	57			
SM8060612TP	16	41	WP0450801SC	50	45			
SM8060612TP	28	19	WP0450826SC	12	40			
SM8060812TP	8	80	WP0450826SC	22	43			
SM8060812TP	10	80	WP0450826SC	24	46			
SM8060842TP	8	69	WP0450826SC	50	35			
SM8060842TP	10	69	WP0450846SP	20	96			