

MODEL : MF-7500-C11

List No : 1611-01

# PARTS LIST

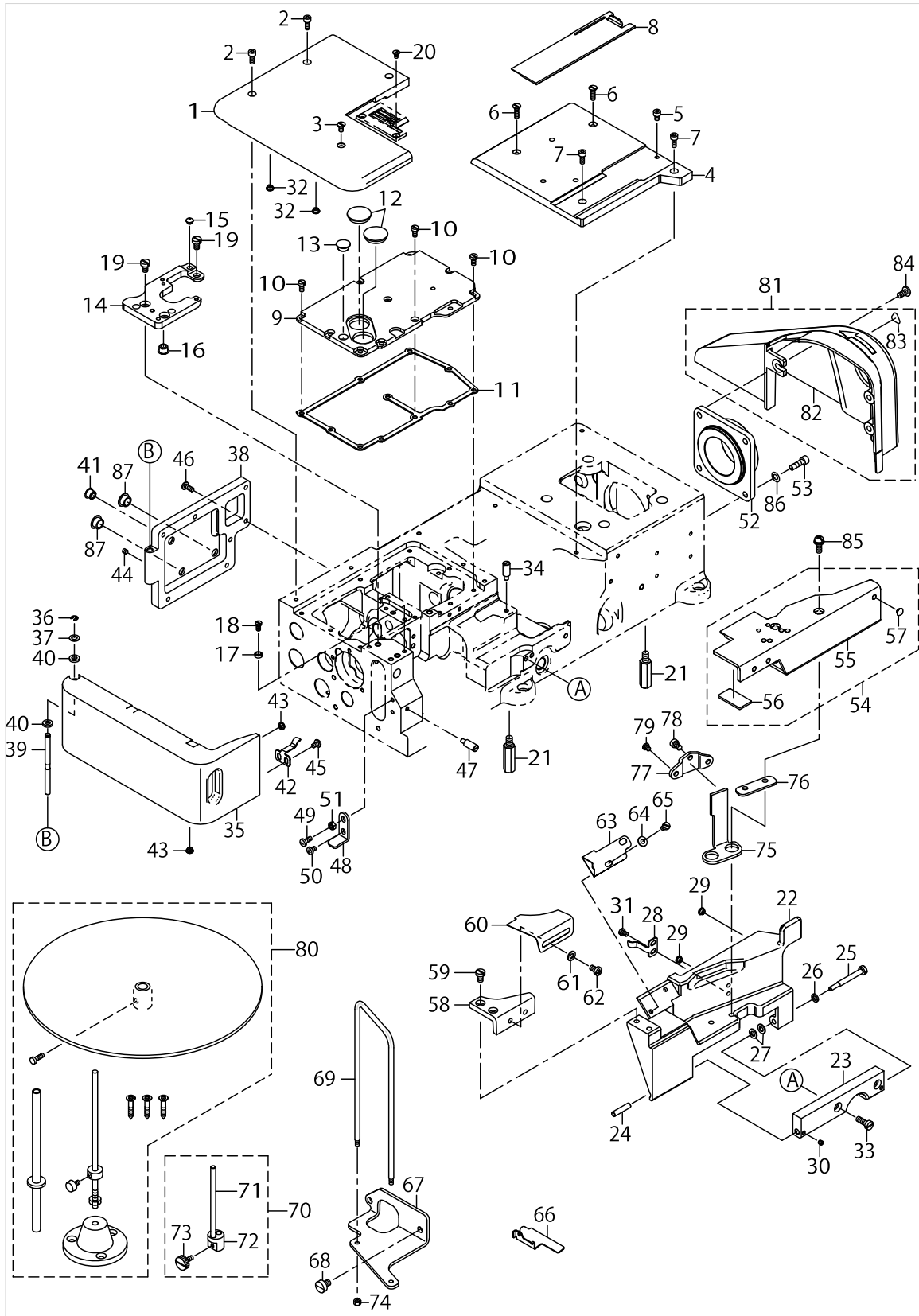
Published:09/10/2017

## CONTENTS

---

COVER COMPONENTS.....	1
GAUGE COMPONENTS.....	5
HOW TO MAKE USE OF THIS PARTS LIST .....	7

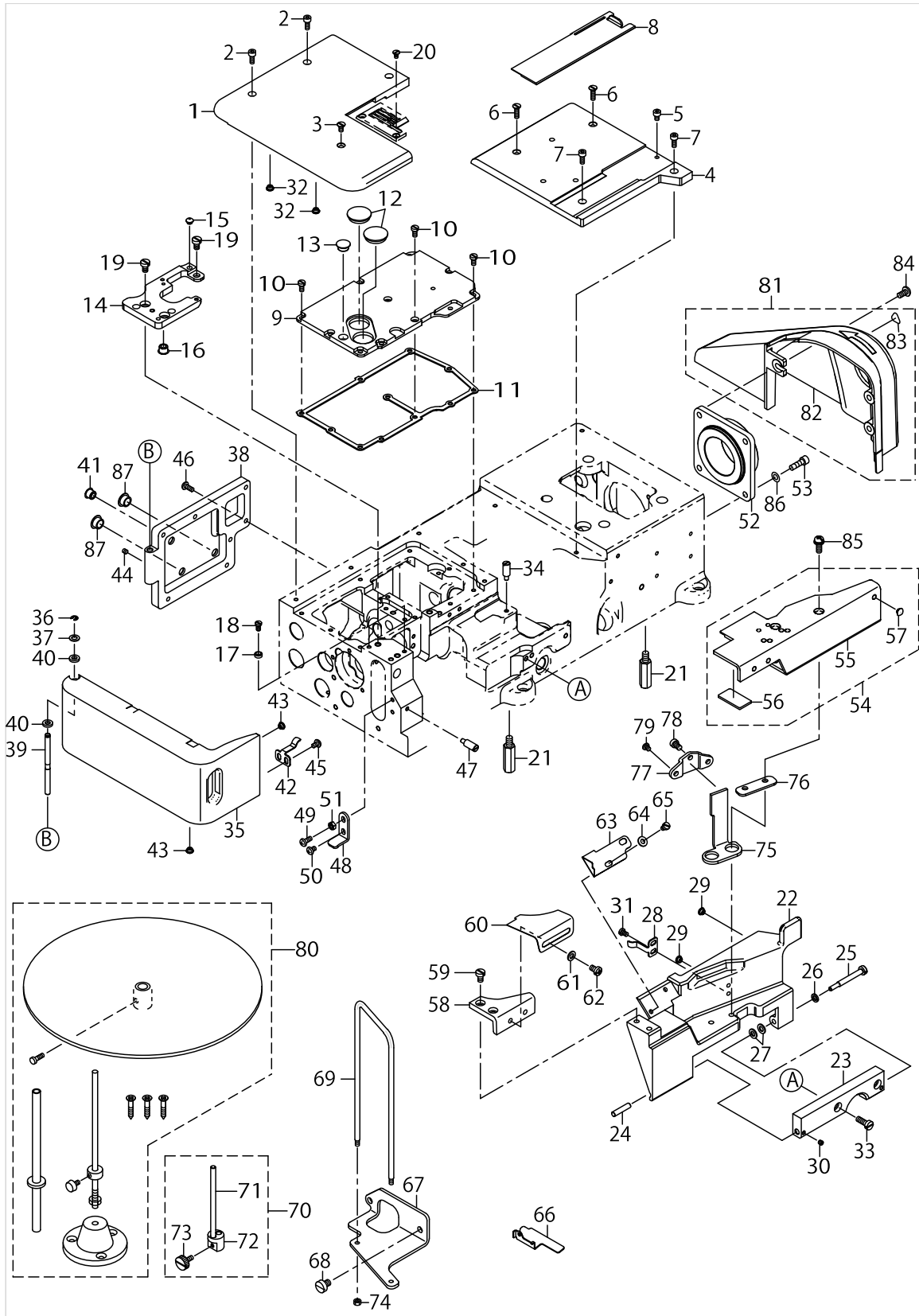
COVER COMPONENTS



## COVER COMPONENTS

No.	Parts No.	Parts name	Remarks	Level	Cons	Qty
1	13303607	CLOTH PLATE LEFT				1
2	SM6041002TP	SCREW M4X0.7 L=10				3
3	SM1040800SP	SCREW				1
4	13303706	CLOTH PLATE RIGHT				1
5	SM6040602TP	SCREW M4X0.7 L=6				1
6	SM1041400SP	SCREW				2
7	SM6041002TP	SCREW M4X0.7 L=10				2
8	13303805	SLIDE COVER				1
9	70001415	BED_TOP_COVER				1
10	SM6040800SP	SCREW				11
11	70001423	GASKET_B				1
12	TA2050416R0	RUBBER PLUG				2
13	TA1050504R0	RUBBER PLUG				1
14	70001945	THROAT_PLATE_SUPPORT_C11				1
15	13302302	RUBBER BUMPER				1
16	TA0850604R0	RUBBER PLUG				1
17	40082196	ADJUSTING_COLLAR				2
18	SM6040750TP	SCREW M4 L=7				2
19	SM6050800SP	SCREW M5 L=8				3
20	13302203	SCREW				2
21	13301809	SUPPORT STUD				4
22	13303300	SWING DOWN COVER				1
23	70001898	HINGE				1
24	13409800	DIFF_LINK_PIN				1
25	70001414	SCREW				1
26	WS0510002KP	SPRING WASHER 5.1X9.2X1.3				1
27	WP0531000SC	WASHER 5.3X10X1				2
28	13304308	LATCH SPRING				1
29	13302302	RUBBER BUMPER				2
30	SM8040412TP	SET SCREW M4 L=4				2
31	SM4040655SP	SCREW M4 L=6				2
32	13302302	RUBBER BUMPER				1
33	SM6051400SP	SCREW				2
34	13302104	PIN				1
35	13304100	SIDE COVER				1
36	RE0300000K0	E-RING 3				1
37	WP0550800SP	WASHER 5.5X10X0.8				1
38	70001659	FEED_CHAMBER_COVER				1
39	13305107	PIN_FOR_SIDE_COVER				1
40	13302708	RUBBER_WASHER				2
41	TA0850604R0	RUBBER PLUG				1
42	13304308	LATCH SPRING				1
43	13302302	RUBBER BUMPER				2
44	SM8040412TP	SET SCREW M4 L=4				1
45	SM4040655SP	SCREW M4 L=6				2
46	SM4041055SP	SCREW				7
47	13302104	PIN				1

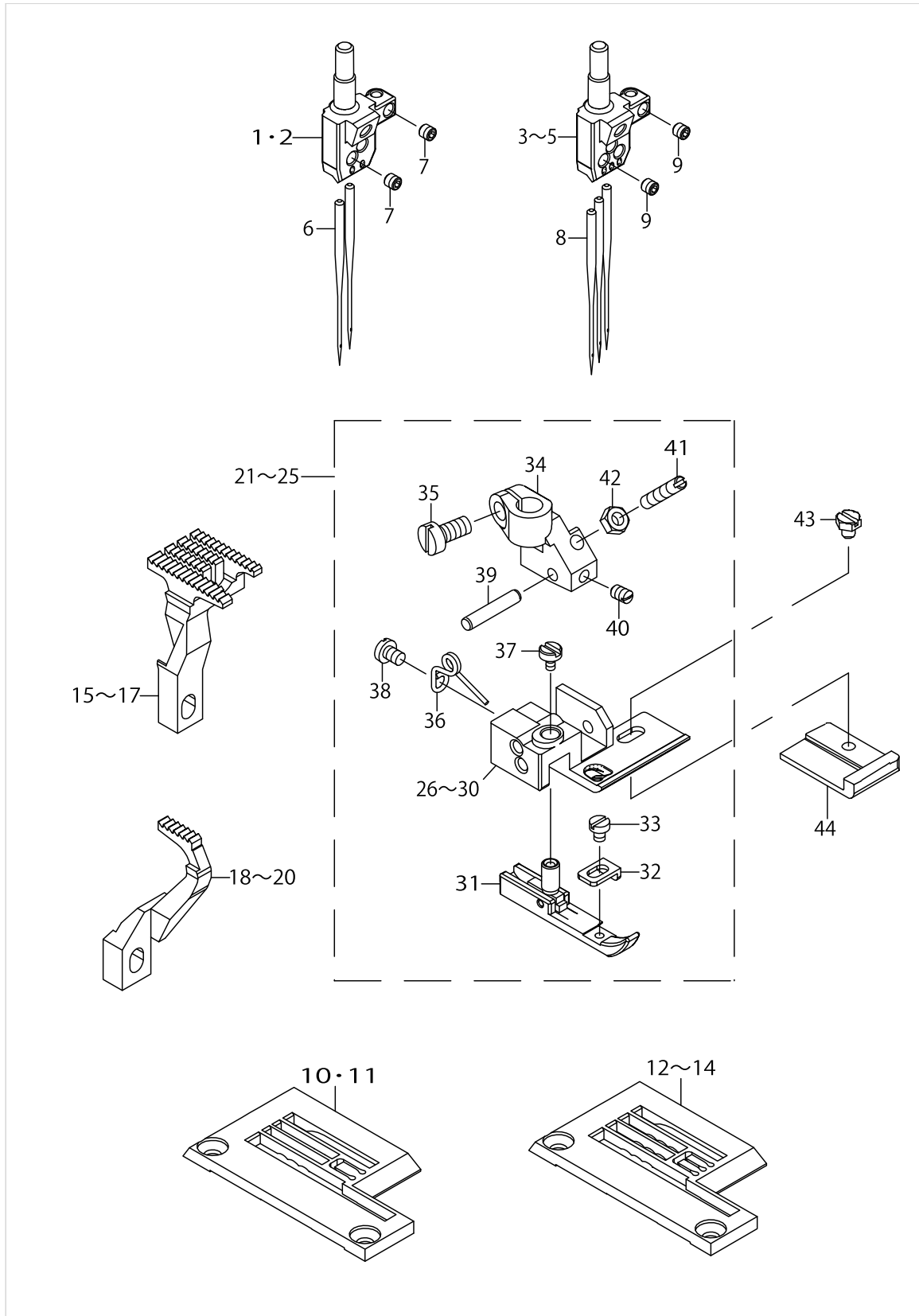
# COVER COMPONENTS



COVER COMPONENTS

No.	Parts No.	Parts name	Remarks	Level	Cons	Qty
48	13304209	SUPPORT BRACKET				1
49	SM4041055SP	SCREW				1
50	SM4040655SP	SCREW M4 L=6				1
51	NM6040000SN	NUT M4				1
52	70001436	HOUSING				1
53	SM6051602TP	SCREW M5X0.8 L=16				4
54	13303458	ASSY_BRACKET	ACCESSORY PARTS			1
55	13303409	BRACKET		*		1
56	13305305	RUBBER_BOARD		*		1
57	13302302	RUBBER BUMPER		*		1
58	13366000	BRACKET				1
59	SM6050800SP	SCREW M5 L=8				2
60	13366208	BINDER_PLATE				1
61	WP0531001SC	WASHER M5				2
62	SM4050855SP	SCREW				2
63	40066085	FABRIC_GUIDE				1
64	WP0450826SC	WASHER 4.5X10X0.8				2
65	SM6040610SC	SCREW M4X0.7 L=6				2
66	40019893	TC_TAPE_GUIDE				1
67	13365002	BASE				1
68	SM6060800SP	SCREW M6 L=8				2
69	13365101	GUIDE				1
70	13365259	GUIDE_PIN_ASSY				2
71	13365200	GUIDE_PIN		*		1
72	13365309	PIN_BASE		*		1
73	13365507	SCREW		*		1
74	NM6040000SN	NUT M4				2
75	13304407	TAPE_BINDER_BRACKET				1
76	13366307	PLATE				1
77	13365408	FOLDER_CLAMP				1
78	SM6050800SP	SCREW M5 L=8				1
79	SS7110510SP	SCREW 11/64-40 L=5				2
80	40062154	TAPE_REEL_ASSEMBLY				1
81	70001831	DRIVING_BELT_COVER_ASSY				1
82	70001830	DRIVING_BELT_COVER		*		1
83	CM300200001	FINGER INJURY CAUTION LABEL (16)		*		1
84	SM4051055SP	SCREW				3
85	SL4051485SC	SCREW				2
86	WP0531000SD	WASHER M5				4
87	TA1050504R0	RUBBER PLUG				2

GAUGE COMPONENTS



GAUGE COMPONENTS

No.	Parts No.	Parts name	Remarks	Level	Cons	Qty
1	13350004	NEEDLE HEAD 32	FOR B32			1
2	13350103	NEEDLE HEAD 40	FOR B40			1
3	13350202	NEEDLE HEAD 48	FOR B48			1
4	13350301	NEEDLE HEAD 56	FOR B56			1
5	13350400	NEEDLE HEAD 64	FOR B64			1
6	MUY128S1000	NEEDLE	FOR B32,B40			2
7	SM8030312TP	SCREW M3 L=3	FOR B32,B40			3
8	MUY128S1000	NEEDLE	FOR B48,B56,B64			3
9	SM8030312TP	SCREW M3 L=3	FOR B48,B56,B64			4
10	40058549	THROAT PLATE	FOR B32			1
11	13351408	THROAT PLATE	FOR B40			1
12	40057971	THROAT PLATE	FOR B48			1
13	13351606	THROAT PLATE	FOR B56			1
14	13351705	THROAT PLATE	FOR B64			1
15	40058555	MAIN FEED DOG	FOR B32			1
16	13353800	MAIN FEED DOG	FOR B40,B48			1
17	13353909	MAIN FEED DOG	FOR B56,B64			1
18	40058556	DIFF FEED DOG	FOR B32			1
19	13357702	DIFF FEED DOG	FOR B40,B48			1
20	13357801	DIFF FEED DOG	FOR B56,B64			1
21	40058579	PRESSER FOOT ASSEMBLY	FOR B32			1
22	40056504	PRESSER FOOT ASSEMBLY	FOR B40			1
23	40057973	PRESSER FOOT ASSEMBLY	FOR B48			1
24	40056410	PRESSER FOOT ASSEMBLY	FOR B56			1
25	40056411	PRESSER FOOT ASSEMBLY	FOR B64			1
26	40058578	PRESSER FOOT BOTTOM 32	FOR B32	*		1
27	40056505	PRESSER FOOT BOTTOM 40	FOR B40	*		1
28	40057972	PRESSER FOOT BOTTOM 48	FOR B48	*		1
29	40056405	PRESSER FOOT BOTTOM 56	FOR B56	*		1
30	40056406	PRESSER FOOT BOTTOM 64	FOR B64	*		1
31	40056412	YIELDING SECTION ASSEMBLY		*		1
32	40056404	PRESSER FOOT GUIDE		*		1
33	SM6850300SP	SCREW M2.5 L=3		*		1
34	13376504	PRESSER FOOT SHANK		*		1
35	SM6040800SP	SCREW		*		1
36	13376603	YIELDING SECTION SPRING		*		1
37	13376702	THREAD SPRING SCREW		*		1
38	SM4030455SP	SCREW		*		1
39	PH0300162C0	PARALLEL PIN 3X16		*		1
40	SM8030500SP	SCREW		*		1
41	13376801	SCREW FOR PRESSER FOOT		*		1
42	NM6030001SD	NUT M3X0.5		*		1
43	13378005	SCREW	OPTIONAL PARTS			1
44	40056407	TAPE GUIDE	OPTIONAL PARTS			1



## HOW TO MAKE USE OF THIS PARTS LIST

1.As to "#01" and "#02" refer to the "Note" given at the bottom of the respective pages.

2.Codes on the "Qty" column

- Each numeral indicates the number of parts required.
- "0.1" and "2.5" indicate the length (in meters) of the respective parts.

3.Parentheses mean that the corresponding part is a subpart that constructs an assembly part.

4.Dotted lines on the Figures indicate assembly parts.

1. リストページの# 0 1、# 0 2の印は、ページ下の"注記"の説明を参照下さい。
2. 数量欄の数字は、個数を表し、0. 1、2. 5等の数値は、長さ（単位メートル）を表します。
3. 数量欄の（ ）は、組部品を構成している子部品であることを意味します。
4. イラストページの-----枠は、組構成であることを意味します。

ALL PARTS NOT MENTIONED IN THIS PARTS LIST ARE SAME AS THOSE OF  
MODEL MF-7500. OTHER PARTS LIST RELATED TO THIS MODEL.  
\*MF-7500 (NO.1596 PART NO.70002001)

このパーツリスト記載以外の部品はMF-7500と共通です。  
この機種に関連するパーツリストとして下記のパーツリストがあります。  
\*MF-7500 (NO.1596 品番70002001)

# NUMERICAL INDEX OF PARTS

PART NO	PAGE	REF NO.	PART NO	PAGE	REF NO.	PART NO	PAGE	REF NO.
13301809	2	21	13409800	2	24	SM4050855SP	4	62
13302104	2	47	40019893	4	66	SM4051055SP	4	84
13302203	2	20	40056404	6	32	SM6040602TP	2	5
13302302	2	57	40056405	6	26~30	SM6040610SC	4	65
13302302	4	57	40056406	6	26~30	SM6040750TP	2	18
13302708	2	40	40056407	6	44	SM6040800SP	2	10
13303300	2	22	40056410	6	21~25	SM6040800SP	6	35
13303409	4	55	40056411	6	21~25	SM6041002TP	2	7
13303458	4	54	40056412	6	31	SM6050800SP	2	78
13303607	2	1	40056504	6	21~25	SM6050800SP	4	78
13303706	2	4	40056505	6	26~30	SM6051400SP	2	33
13303805	2	8	40057971	6	12~14	SM6051602TP	4	53
13304100	2	35	40057972	6	26~30	SM6060800SP	4	68
13304209	4	48	40057973	6	21~25	SM6850300SP	6	33
13304308	2	42	40058549	6	10·11	SM8030312TP	6	9
13304407	4	75	40058555	6	15~17	SM8030500SP	6	40
13305107	2	39	40058556	6	18~20	SM8040412TP	2	44
13305305	4	56	40058578	6	26~30	SS7110510SP	4	79
13350004	6	1·2	40058579	6	21~25	TA0850604R0	2	41
13350103	6	1·2	40062154	4	80	TA1050504R0	2	87
13350202	6	3~5	40066085	4	63	TA1050504R0	4	87
13350301	6	3~5	40082196	2	17	TA2050416R0	2	12
13350400	6	3~5	70001414	2	25	WP0450826SC	4	64
13351408	6	10·11	70001415	2	9	WP0531000SC	2	27
13351606	6	12~14	70001423	2	11	WP0531000SD	4	86
13351705	6	12~14	70001436	4	52	WP0531001SC	4	61
13353800	6	15~17	70001659	2	38	WP0550800SP	2	37
13353909	6	15~17	70001830	4	82	WS0510002KP	2	26
13357702	6	18~20	70001831	4	81			
13357801	6	18~20	70001898	2	23			
13365002	4	67	70001945	2	14			
13365101	4	69	CM300200001	4	83			
13365200	4	71	MUY128S1000	6	8			
13365259	4	70	NM6030001SD	6	42			
13365309	4	72	NM6040000SN	4	74			
13365408	4	77	PH0300162C0	6	39			
13365507	4	73	RE0300000K0	2	36			
13366000	4	58	SL4051485SC	4	85			
13366208	4	60	SM1040800SP	2	3			
13366307	4	76	SM1041400SP	2	6			
13376504	6	34	SM4030455SP	6	38			
13376603	6	36	SM4040655SP	2	50			
13376702	6	37	SM4040655SP	4	50			
13376801	6	41	SM4041055SP	2	49			
13378005	6	43	SM4041055SP	4	49			