

MODEL : UT55,56,57

List No : 1607-02

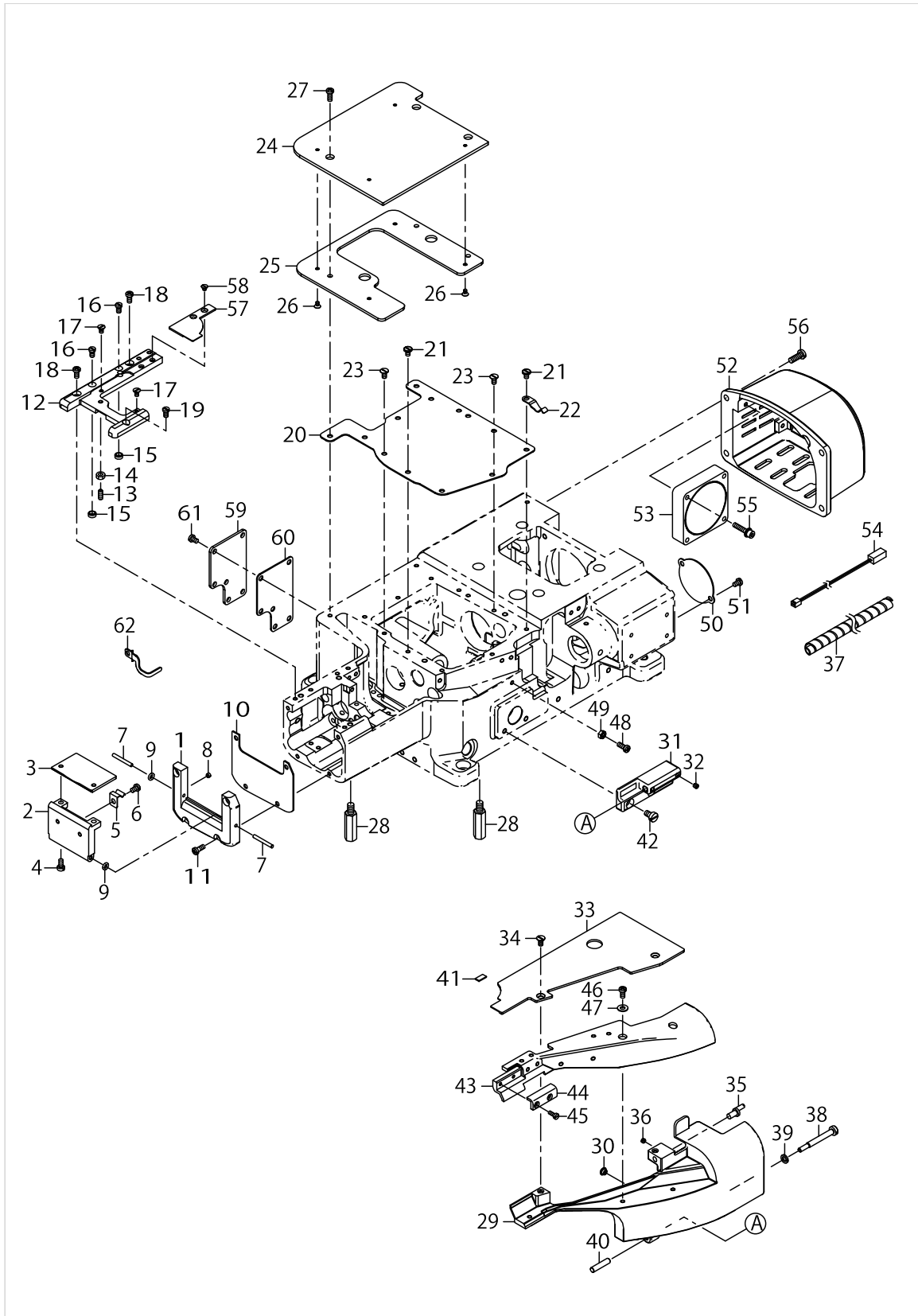
PARTS LIST

Published:09/10/2017

CONTENTS

MISCELLANEOUS COVER COMPONENTS.....	1
LOWER SHAFT COMPONENTS.....	5
THREAD TENSION COMPONENTS	7
LOOPER THREAD TRIMMER COMPONENTS	9
PNEUMATIC DRIVE & PRESSER FEED LIFTER COMPONENTS	11
TOP COVER THREAD TRIMMER COMPONENTS (UT57,UT57A).....	15
NEEDLE THREAD WIPER COMPONENTS (UT55).....	17
ACCESSORIE PARTS COMPONENTS.....	19
HOW TO MAKE USE OF THIS PARTS LIST	21

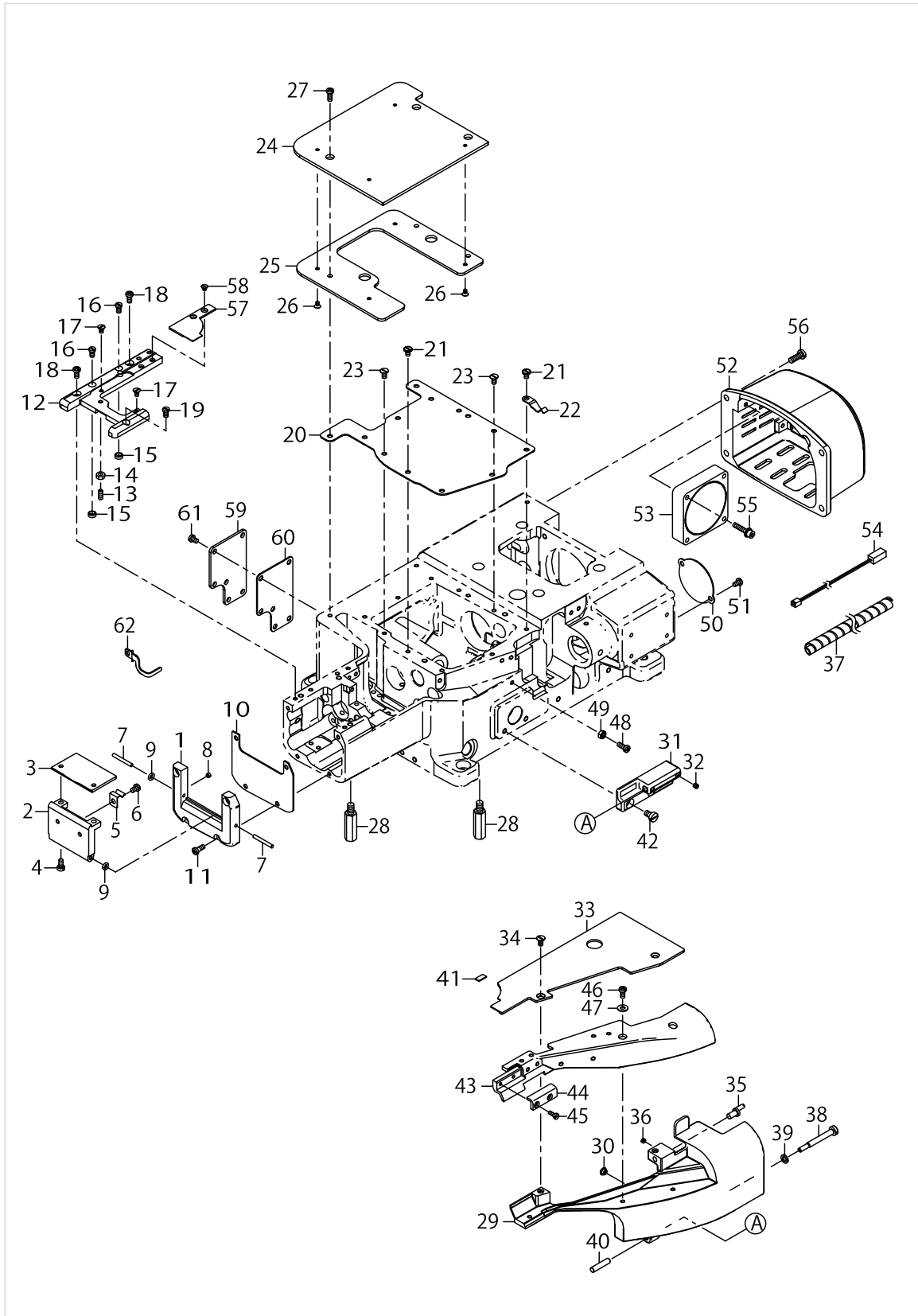
MISCELLANEOUS COVER COMPONENTS



MISCELLANEOUS COVER COMPONENTS

No.	Parts No.	Parts name	Remarks	Level	Cons	Qty
1	70001657	CYLINDER_COVER				1
2	70001655	SIDE_COVER_BOTTOM				1
3	70001653	SIDE_COVER_UPPER				1
4	SM6040800SP	SCREW				2
5	13401906	LATCH SPRING 2				1
6	SM4040655SP	SCREW M4 L=6				1
7	PH0300252C0	PIN				2
8	SM8040360TP	SCREW				2
9	RO037180100	RUBBER RING				2
10	70001661	GASKET				1
11	SM4041055SP	SCREW				4
12	70001667	THROAT_PLATE_SUPPORT				1
13	SM8041012TP	SCREW M4 L=10				1
14	NM6040000SN	NUT M4				1
15	40082196	ADJUSTING_COLLAR				2
16	SM6040750TP	SCREW M4 L=7				2
17	13302203	SCREW				2
18	SM4040855SP	SCREW				2
19	SM6040750TP	SCREW M4 L=7				1
20	70001663	GASKET_B				1
21	SM6040800SP	SCREW				6
22	13402003	LATCH SPRING				1
23	SM1040860SP	SCREW				4
24	70001668	CLOTH_PLATE_REAR				1
25	70001670	CLOTH_PLATE_REAR_LOWER				1
26	SM1030501SN	SCREW				2
27	SM4041055SP	SCREW				3
28	13301809	SUPPORT STUD				4
29	70001650	SWING_DOWN_COVER				1
30	13302302	RUBBER BUMPER				1
31	70001648	HINGE				1
32	SM8040412TP	SET SCREW M4 L=4				2
33	70001671	CLOTH_PLATE_FRONT				1
34	SM1040800SP	SCREW				2
35	13402706	PIN FOR COVER				1
36	SM8040360TP	SCREW				1
37	HX00314000D	SPIRAL TUBE				0.7
38	70001414	SCREW				1
39	WS0510002KP	SPRING WASHER 5.1X9.2X1.3				1
40	13409800	DIFF_LINK_PIN				1
41	13403605	RUBBER_PLATE				1
42	SM6050800SP	SCREW M5 L=8				2
43	70001652	BRACKET				1
44	70001678	BRACKET				1
45	SM6030800SP	SCREW M3X0.5 L=8				2
46	SM4040855SP	SCREW				2
47	WP0450801SC	WASHER 4.5X10X0.8				2

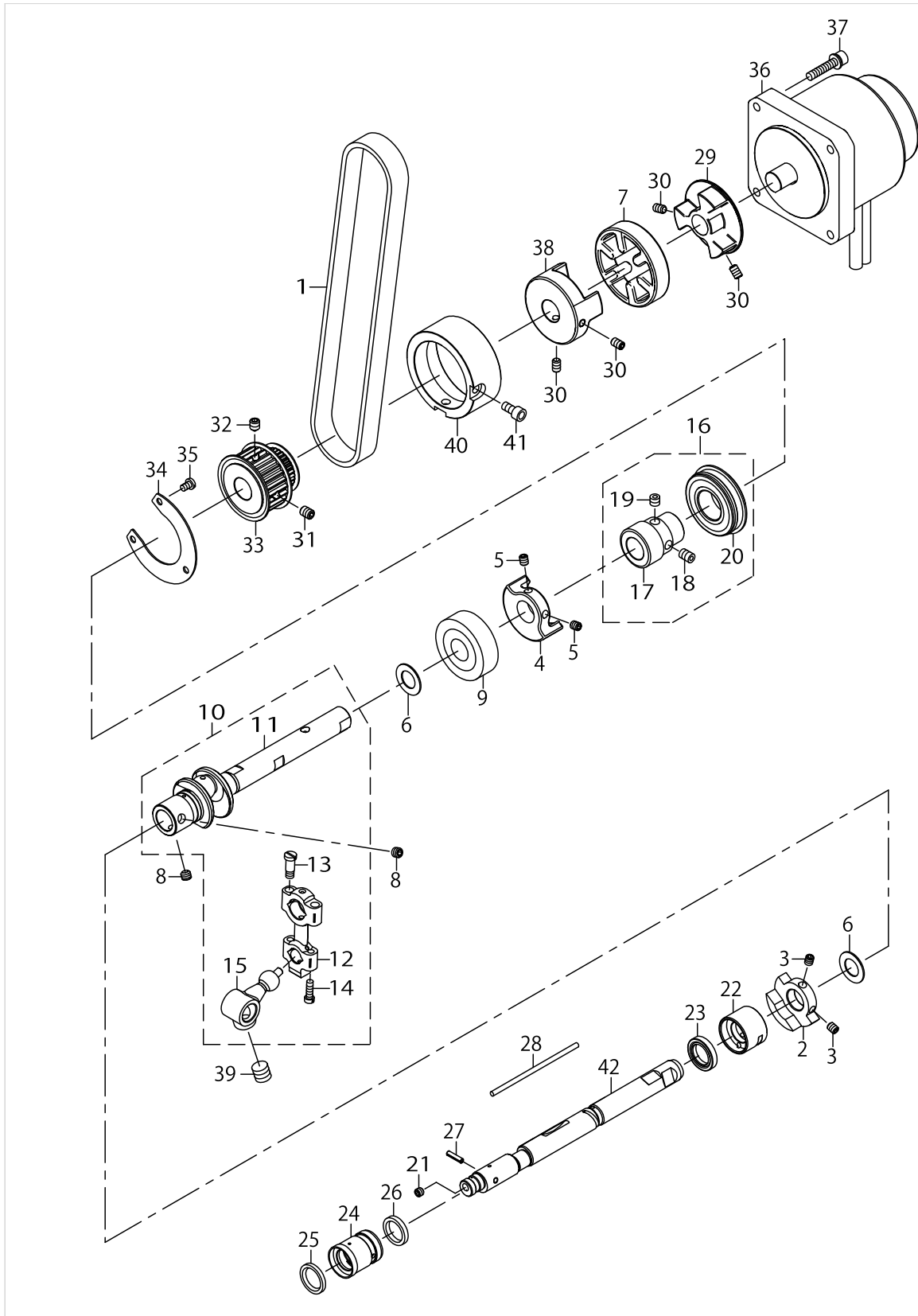
MISCELLANEOUS COVER COMPONENTS



MISCELLANEOUS COVER COMPONENTS

No.	Parts No.	Parts name	Remarks	Level	Cons	Qty
48	SM4041055SP	SCREW				1
49	NM6040001SC	NUT M4X0.7 TYPE1				1
50	70001673	LOOPER_THD_COVER				1
51	SM4040655SP	SCREW M4 L=6				2
52	70001413	MOTOR_COVER				1
53	40119461	HEAD FAN MOTOR A ASSY				1
54	70001457	FAN_CORD_ASSY				1
55	SL6042092TN	SCREW M4 L=20				2
56	SM4051455SP	SCREW M5 L=14				4
57	70001645	THROAT_PLATE_SUPPORT_COVER				1
58	SM1030400SP	SCREW M3 L=4				2
59	70001642	COVER_FOR_FEED_ADJUST				1
60	70001643	COVER_FOR_FEED_ADJUST_PACKING				1
61	SM4040855SP	SCREW				6
62	70001484	FINGER_GUARD				1

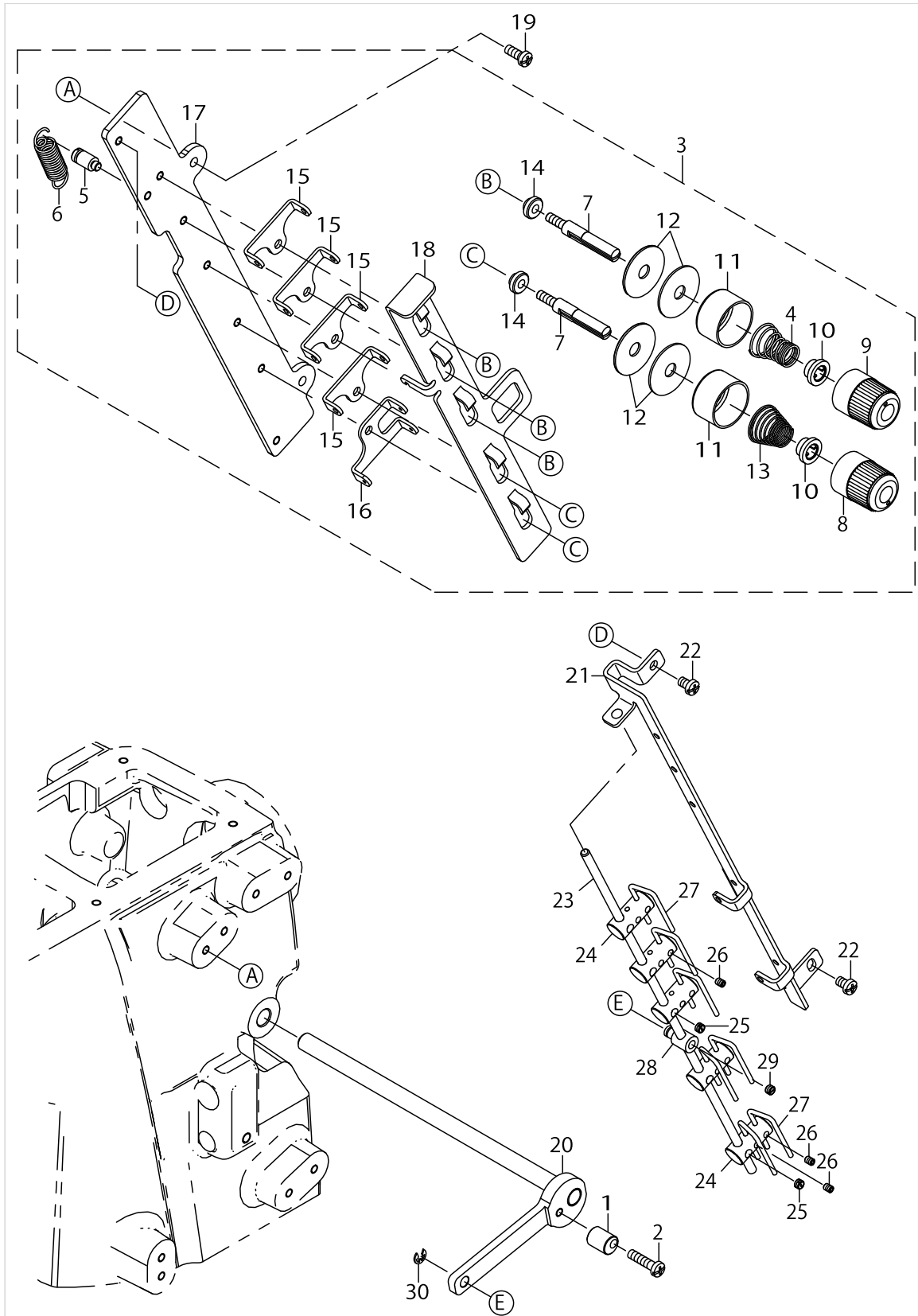
LOWER SHAFT COMPONENTS



LOWER SHAFT COMPONENTS

No.	Parts No.	Parts name	Remarks	Level	Cons	Qty
1	13406905	TIMING_BELT				1
2	13408406	BALANCE_WEIGHT_LMS_1				1
3	SM8050612TP	SCREW M5X6				2
4	13408505	BALANCE_WEIGHT_LMS_2				1
5	SM8050612TP	SCREW M5X6				2
6	40017824	LOOPER LOD STOPPER				2
7	40112107	SPIDER				1
8	SM8060552TP	SCREW M6 L=5				2
9	SB115002300	BEARING				1
10	70001692	LMS_RIGHT_ROD_ASSY				1
11	70001684	LMS_RIGHT		*		1
12	70001685	LOOPER_ROD		*		1
13	SD0550906TP	SHOULDER SCREW		*		2
14	13324108	SCREW		*		2
15	70001686	CRANK		*		1
16	70003278	LMS_WORM_ASSY				1
17	13308507	COUPLING D		*		1
18	SM8060552TP	SCREW M6 L=5		*		2
19	SM8060842TP	SCREW M6 L=8		*		1
20	70001458	BEARING		*		1
21	SM8050412TP	SCREW M5 L=4				1
22	70001682	BUSHING_LMS_MIDDLE				1
23	13408703	OIL_SEAL				1
24	70001683	BUSHING_LMS_LEFT				1
25	13407903	OIL SEAL				1
26	13408604	FELT_LMS_LEFT_BUSH				1
27	PS0300122KH	SPRING PIN 3X12				1
28	CQ300000001	OIL WICK				0.075
29	40112106	HUB_R				1
30	SM8050412TP	SCREW M5 L=4				4
31	SM8060812TP	SCREW M6 L=8				1
32	SM8060842TP	SCREW M6 L=8				1
33	70004184	LMS_SPROCKET				1
34	70001451	THRUST_PLATE				1
35	SM4040655SP	SCREW M4 L=6				3
36	40118009	SERVO MOTOR				1
37	SL6052592TN	BOLT				4
38	40112105	HUB_L				1
39	SM8550952TP	SCREW				1
40	70003317	FLY_WHEEL_FOR_DD				1
41	SM6051002TP	SCREW M5X0.8 L=10				2
42	70001681	LOWER_MAINSHAFT_LEFT				1

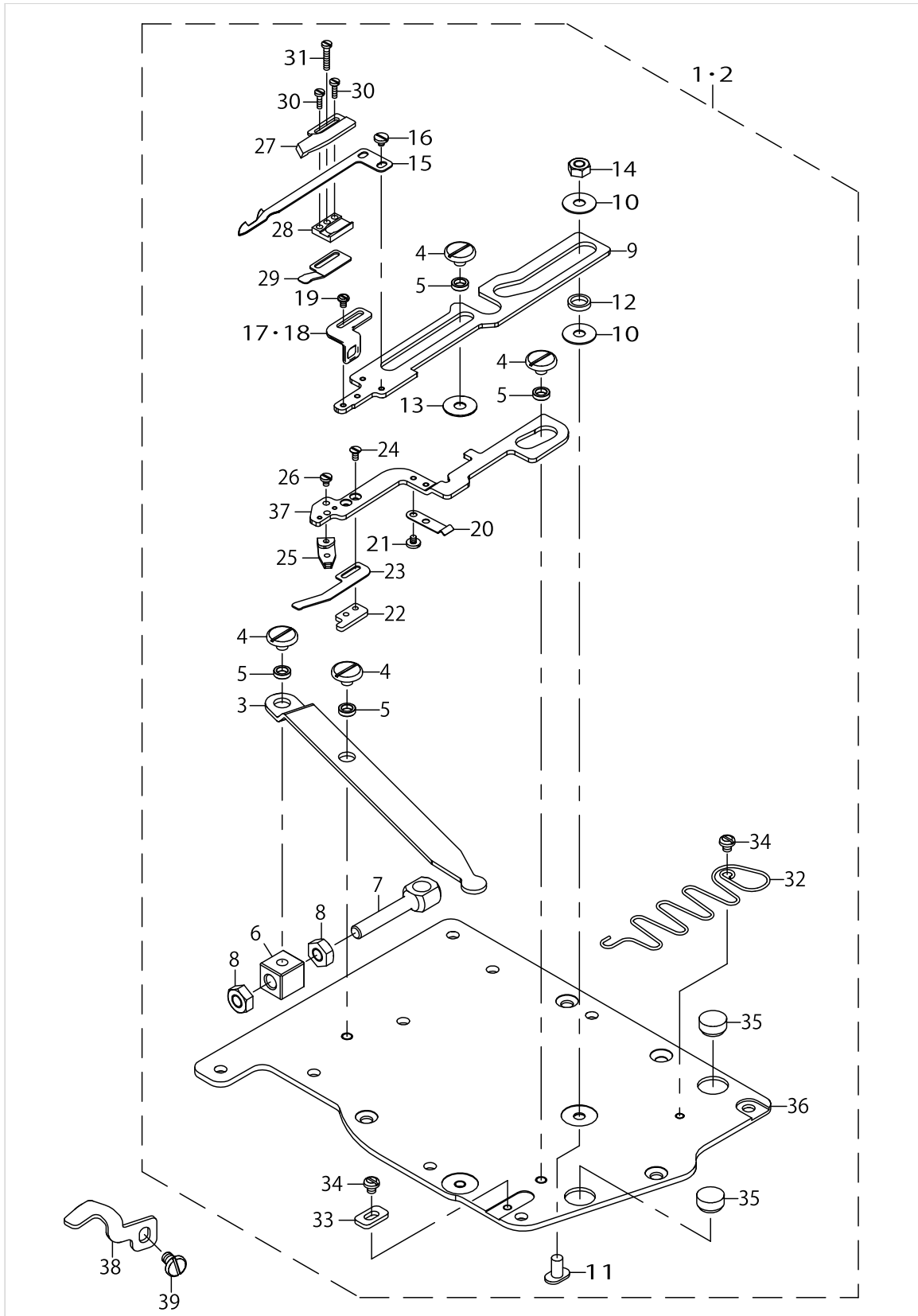
THREAD TENSION COMPONENTS



THREAD TENSION COMPONENTS

No.	Parts No.	Parts name	Remarks	Level	Cons	Qty
1	40065785	TENS_RELEASE_ADJ_ECC				1
2	SM4041655SP	SCREW M4 L=16				1
3	70001612	THREAD_TENSION_ASSY				1
4	13140504	TENSION SPRING		*		3
5	13340302	SHOULDER SCREW		*		1
6	26019000	THREAD TENSION SPRING		*		1
7	70001620	TENSION_POST		*		5
8	40042363	KNOB		*		2
9	40042364	KNOB GREEN		*		3
10	40042365	SPRING BUSHING		*		5
11	40042366	THREAD TENSION DISK PRESSER		*		5
12	40101602	THREAD_TENSION_DISC		*		10
13	40102003	SPRING		*		2
14	70001617	SPACER		*		5
15	70001615	TENSION_DISC_EYELET_A		*		4
16	70001616	TENSION_DISC_EYELET_B		*		1
17	70001613	TENSION_POST_SUPPORT		*		1
18	70001614	TENSION_DISC_SEPARATOR		*		1
19	SM4041055SP	SCREW				2
20	70001618	PULL_OFF_LEVER_ASSY				1
21	70001621	THREAD_GUIDE				1
22	SM4040655SP	SCREW M4 L=6				2
23	13456108	PULL_OFF_BAR				1
24	13456207	THD_P_O_HOOK_GUIDE				5
25	SM8040360TP	SCREW				5
26	SM8030412TP	SCREW				7
27	13456603	THD_PULL_OFF_HOOK				7
28	13456405	THD_PULL_OFF_BAR HOLDER				1
29	SM8040360TP	SCREW				1
30	RE0300000K0	E-RING 3				1

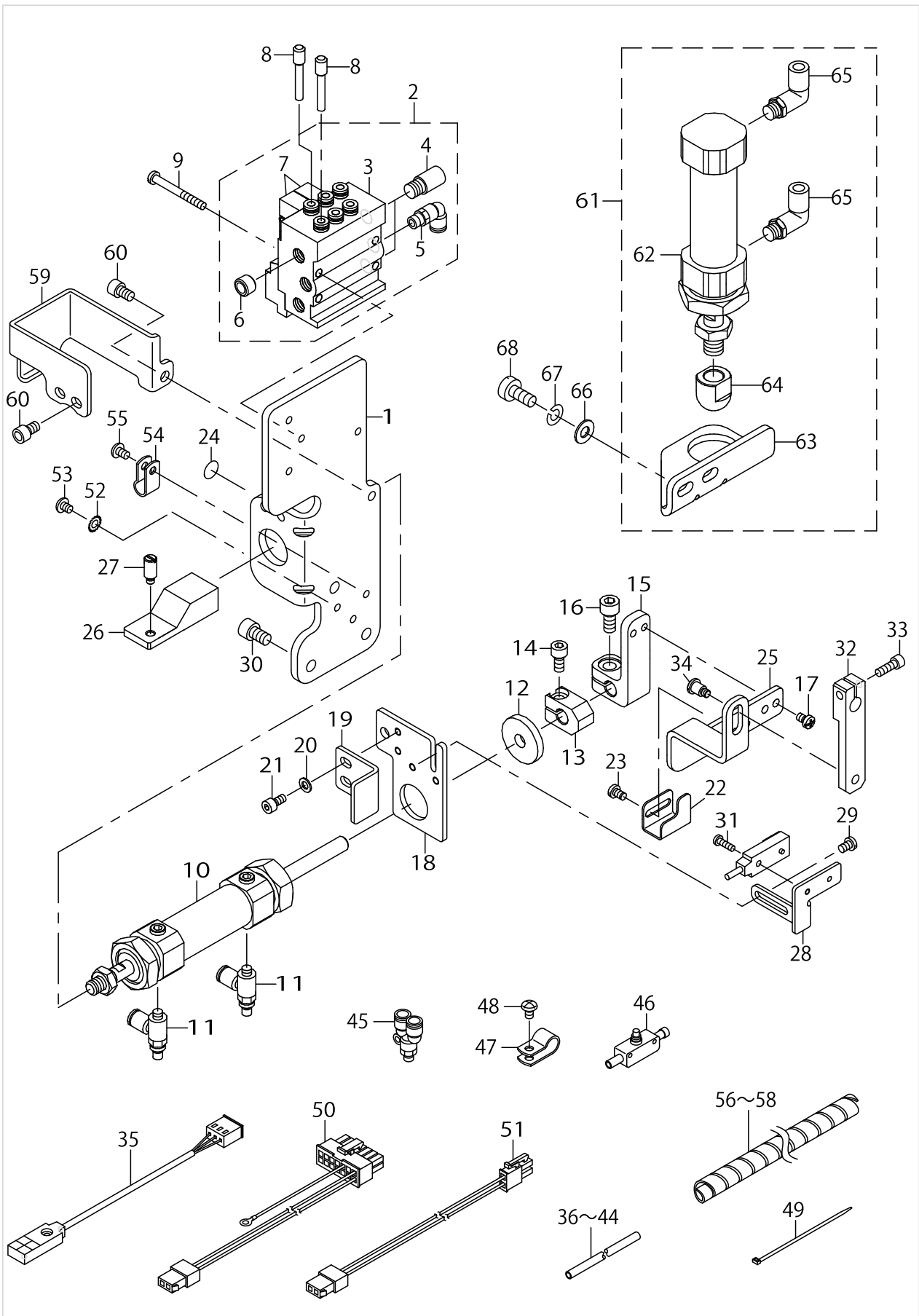
LOOPER THREAD TRIMMER COMPONENTS



LOOPER THREAD TRIMMER COMPONENTS

No.	Parts No.	Parts name	Remarks	Level	Cons	Qty
1	70001802	UNDER_TRIMMER_ASSY				1
2	70003424	UNDER_TRIMMER_ASSY_E11	FOR MF-7900-E11/E22,E23			1
3	40086294	LEVER		*		1
4	40086303	SCREW_M4X0.5L4		*		4
5	40086293	COLLAR_D6		*		4
6	40086295	CONNECTING_BLOCK_A		*		1
7	40086296	CONNECTING_BLOCK_B		*		1
8	NM6050001SP	NUT M5		*		2
9	40086275	LOWER_KNIFE HOLDER		*		1
10	WP0420516KH	THRUST WASHER 4.2		*		2
11	40070110	SCREW		*		1
12	40086292	COLLAR_D8		*		1
13	WP0431005SP	PLAIN WASHER 4.3X12X1		*		1
14	NM6040001SP	NUT M4X0.7		*		1
15	40086274	LOWER_KNIFE		*		1
16	40086300	SCREW_M2L2.3		*		2
17	70001800	THREAD_GUIDE		*		1
18	70003362	THREAD_GUIDE	FOR MF-7900-E11/E22,E23	*		1
19	40086301	SCREW_M2L3		*		2
20	40086286	GUIDE_SPRING		*		1
21	40086300	SCREW_M2L2.3		*		2
22	40086282	PLATE		*		1
23	40086280	THREAD_CLAMP		*		1
24	SM1020450TP	SCREW M2 L=4		*		2
25	40086308	TENSION_LEVER		*		1
26	SM6020350SP	SCREW M2 L=2.5		*		1
27	40086277	UPPER_KNIFE		*		1
28	40086278	LOWER_KNIFE_GUIDE		*		1
29	40086279	KNIFE_SPRING		*		1
30	40086298	SCREW_M1.6L6		*		2
31	40086299	SCREW_M2L10		*		1
32	13440409	SPRING_FOR_UT		*		1
33	40086290	STOPPER		*		1
34	40086302	SCREW_M3L3		*		2
35	TA0980502R0	RUBBER PLUG		*		2
36	70001662	COVER_PLATE		*		1
37	70001801	KNIFE_GUIDE_HOLDER		*		1
38	70001799	GUIDE_BASE				1
39	SM6040650TP	SCREW				1

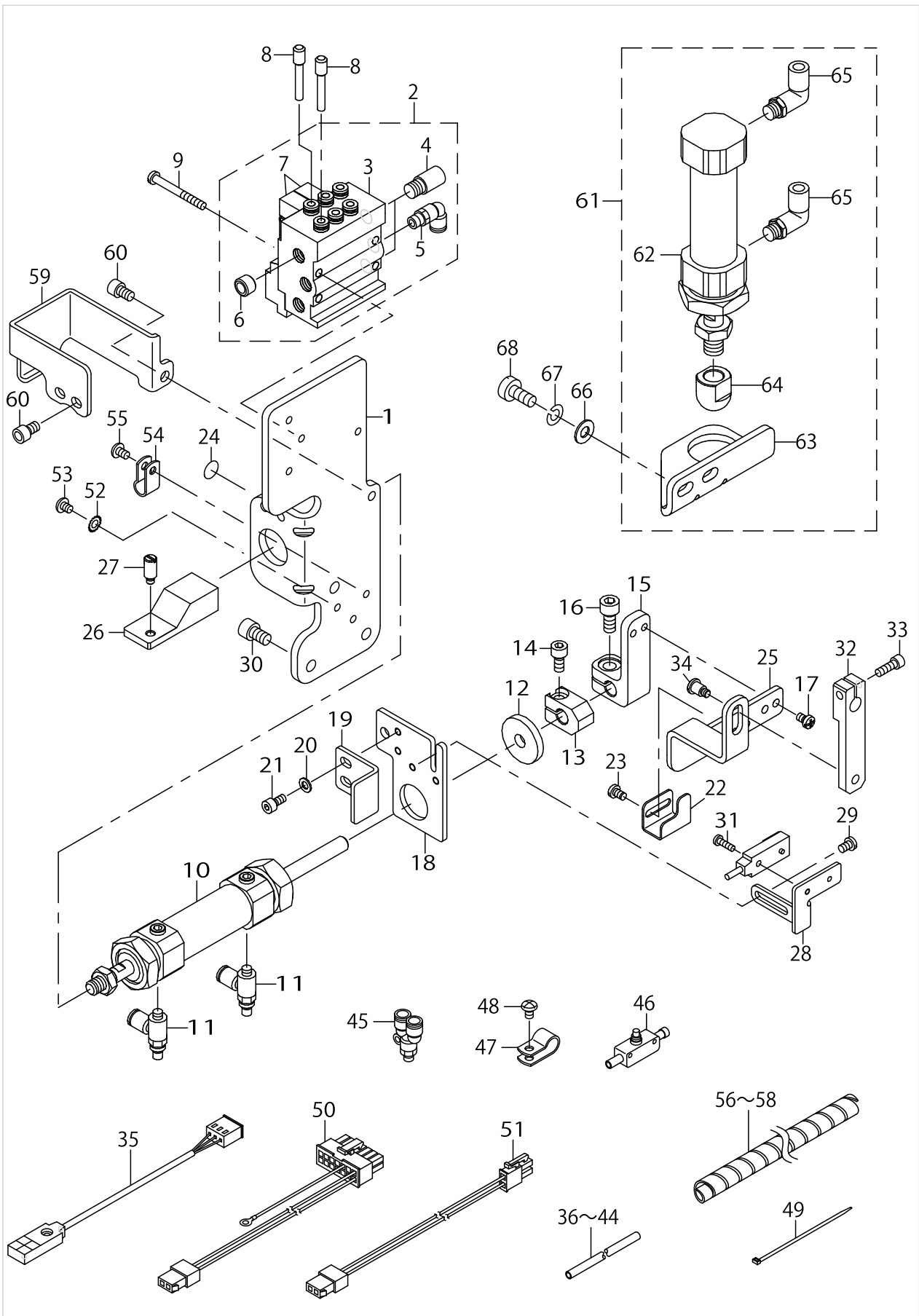
PNEUMATIC DRIVE & PRESSER FEED LIFTER COMPONENTS



PNEUMATIC DRIVE & PRESSER FEED LIFTER COMPONENTS

No.	Parts No.	Parts name	Remarks	Level	Cons	Qty
1	13442504	AIR_CYLINDER_BRACKET				1
2	40072396	MANIFOLD_VALVE_ASSY				1
3	PV035161000	MANIFOLD		*		1
4	PX055104000	SILENCER (PT1/8)		*		2
5	PJ304065101	ELBOW UNION 6XPT1/8		*		1
6	PJ025100002	PLUG R1/8		*		3
7	PJ025100002	PLUG R1/8		*		2
8	PX500014000	PLUG				2
9	SM4043555SP	SCREW				2
10	PA2001802A0	AIR CYLINDER				1
11	PC010508000	SPEED CONTROLLER				2
12	13443601	WASHER				1
13	13442900	COLLAR				1
14	SM6051002TP	SCREW M5X0.8 L=10				1
15	13443007	PLATE HOLDER				1
16	SM6061202TP	SCREW M6 L=12				1
17	SM4040655SP	SCREW M4 L=6				2
18	70001776	SENSOR HOLDER				1
19	70001778	SUPPORT_PLATE_UT				1
20	WP0430800SC	WASHER M4				2
21	SM6040802TP	SCREW M4X0.7 L=8				2
22	13443205	SWITCH_PLATE				1
23	SM4040655SP	SCREW M4 L=6				2
24	22901805	GROUND MARK				1
25	13443106	TENS_RELEASE_PLATE				1
26	13442603	PLUNGER				1
27	13442702	PIN				1
28	70001777	SENSOR HOLDER				1
29	SM4040655SP	SCREW M4 L=6				2
30	SM6061002TP	SCREW M6 L=10				3
31	SM4031001SN	SCREW				1
32	70001479	TENSION_RELEASE_LEVER				1
33	SM6041202TP	SCREW M4X0.7 L=12				1
34	SD0700706TP	SHOULDER SCREW				1
35	40021746	UNDER_TRIMMER_SENSOR_CABLE_ASM				1
36	BT0400251EB	URETHANE TUBE BLACK 4X2.5				0.27
37	BT0400251EB	URETHANE TUBE BLACK 4X2.5				0.32
38	BT0400251EB	URETHANE TUBE BLACK 4X2.5				0.08
39	BT0400251EB	URETHANE TUBE BLACK 4X2.5				0.08
40	BT0400251EB	URETHANE TUBE BLACK 4X2.5				0.42
41	BT0400251EB	URETHANE TUBE BLACK 4X2.5				0.23
42	BT0400251EB	URETHANE TUBE BLACK 4X2.5				0.63
43	BT0400251EB	URETHANE TUBE BLACK 4X2.5				0.3
44	BT0400251EB	URETHANE TUBE BLACK 4X2.5				0.22
45	PJ308040006	UNION				2
46	PC012401000	SPEED CONTROLLER				1
47	HX00150000C	CABLE CLAMP				2

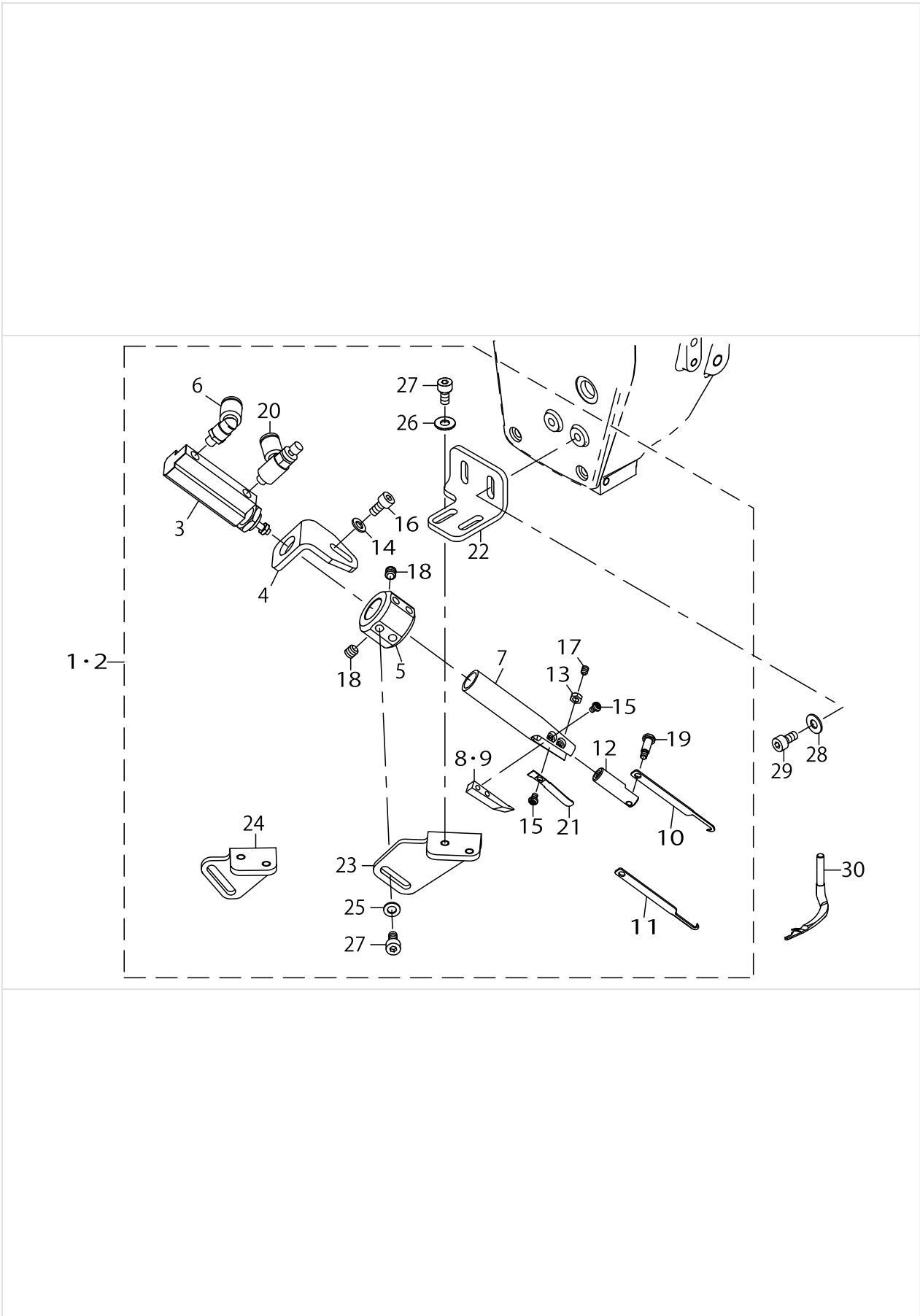
PNEUMATIC DRIVE & PRESSER FEED LIFTER COMPONENTS



PNEUMATIC DRIVE & PRESSER FEED LIFTER COMPONENTS

No.	Parts No.	Parts name	Remarks	Level	Cons	Qty
48	SM4040655SP	SCREW M4 L=6				2
49	EA9500B0100	CABLE BAND				3
50	40027211	UNDER_TRIMMER_CABLE_B_ASM				1
51	40027213	LIFT_UP_CABLE_B_ASM				1
52	WT0430002KN	WASHER M4				1
53	SM4040501SN	SCREW M4X0.7 L=5				1
54	HX00150000B	CABLE CLAMP				1
55	SM4040655SP	SCREW M4 L=6				1
56	HX003140000	SPIRAL TABE				0.96
57	HX00314000D	SPIRAL TUBE				0.12
58	HX00314000D	SPIRAL TUBE				0.1
59	40069703	SOLENOIDE_COVER				1
60	SM6050802TP	SCREW M5X0.8 L=8				3
61	40018079	PNEUMATIC_P_F_LIFTER_ASSY				1
62	PA2503004A0	AIR CYLINDER		*		1
63	13455001	AIR_CYLINDER_BRACKET		*		1
64	13455100	AIR_CYLINDER_CAP		*		1
65	PJ304045102	ELBOW UNION, C		*		2
66	WP0621016SD	WASHER 6.2X13X1				2
67	WS0610002KP	SPRING WASHER				2
68	SM6061400SP	SCREW M6 L=14				2

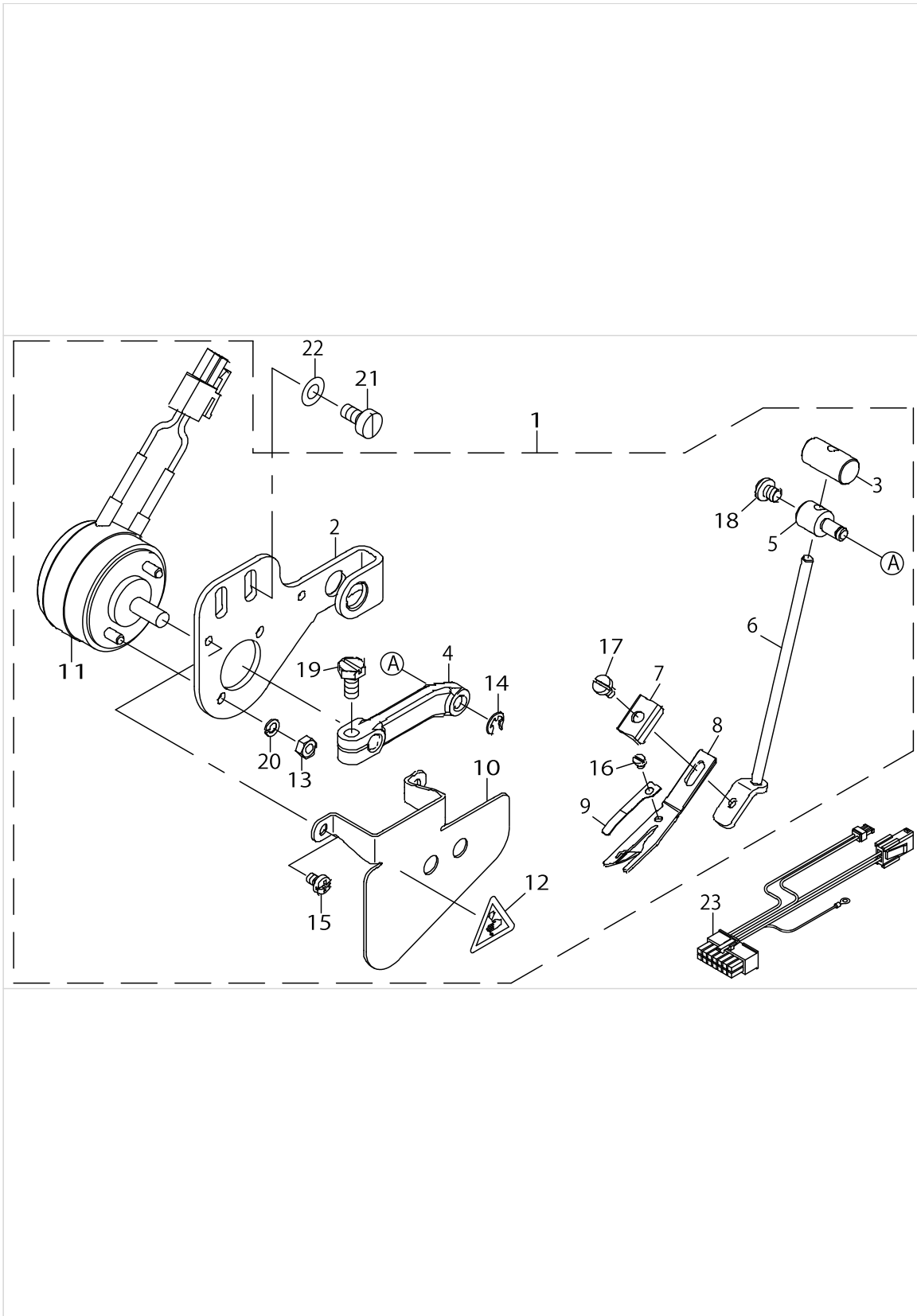
TOP COVER THREAD TRIMMER COMPONENTS (UT57,UT57A)



TOP COVER THREAD TRIMMER COMPONENTS (UT57,UT57A)

No.	Parts No.	Parts name	Remarks	Level	Cons	Qty
1	70001788	U_L_THREAD_TRIMMER_ASSY				1
2	70002246	U_L_THREAD_TRIMMER_ASSY(TURKEY	FOR TURKEY (UT57A)			1
3	PA0602006A0	AIR CYLINDER		*		1
4	13459300	AIR_CYLINDER_BRACKET		*		1
5	13458203	COLLAR		*		1
6	PJ304040504	UNION		*		1
7	70001781	KNIFE_HOLDER		*		1
8	13458500	LOWER_KNIFE		*		1
9	40029004	FIXED_KNIFE	FOR TURKEY (UT57A)	*		1
10	40065510	MOVING_KNIFE		*		1
11	70001791	MOVING_KNIFE	FOR TURKEY (UT57A)	*		1
12	70001780	MOVING_KNIFE_HOLDER		*		1
13	NM6030250SC	NUT M3X0.5		*		1
14	WP0430800SC	WASHER M4		*		2
15	SM4850455SP	SCREW		*		3
16	SM6040802TN	SCREW		*		2
17	SM8030450SP	SCREW M3 L=4		*		1
18	SM8050512TP	SCREW		*		2
19	70001782	SHOULDER_SCREW		*		1
20	PC010508000	SPEED CONTROLLER		*		1
21	13458401	SPRING		*		1
22	70001783	BRACKET_2		*		1
23	70001784	BRACKET		*		1
24	70001790	BRACKET_FOR_TURKEY	FOR TURKEY (UT57A)	*		1
25	WP0430800SC	WASHER M4		*		2
26	WP0450826SC	WASHER 4.5X10X0.8		*		2
27	SM6040802TN	SCREW		*		4
28	WP0450826SC	WASHER 4.5X10X0.8		*		2
29	SM6040802TN	SCREW		*		2
30	70001563	UPPER_LOOPER	FOR TURKEY (UT57A)			1

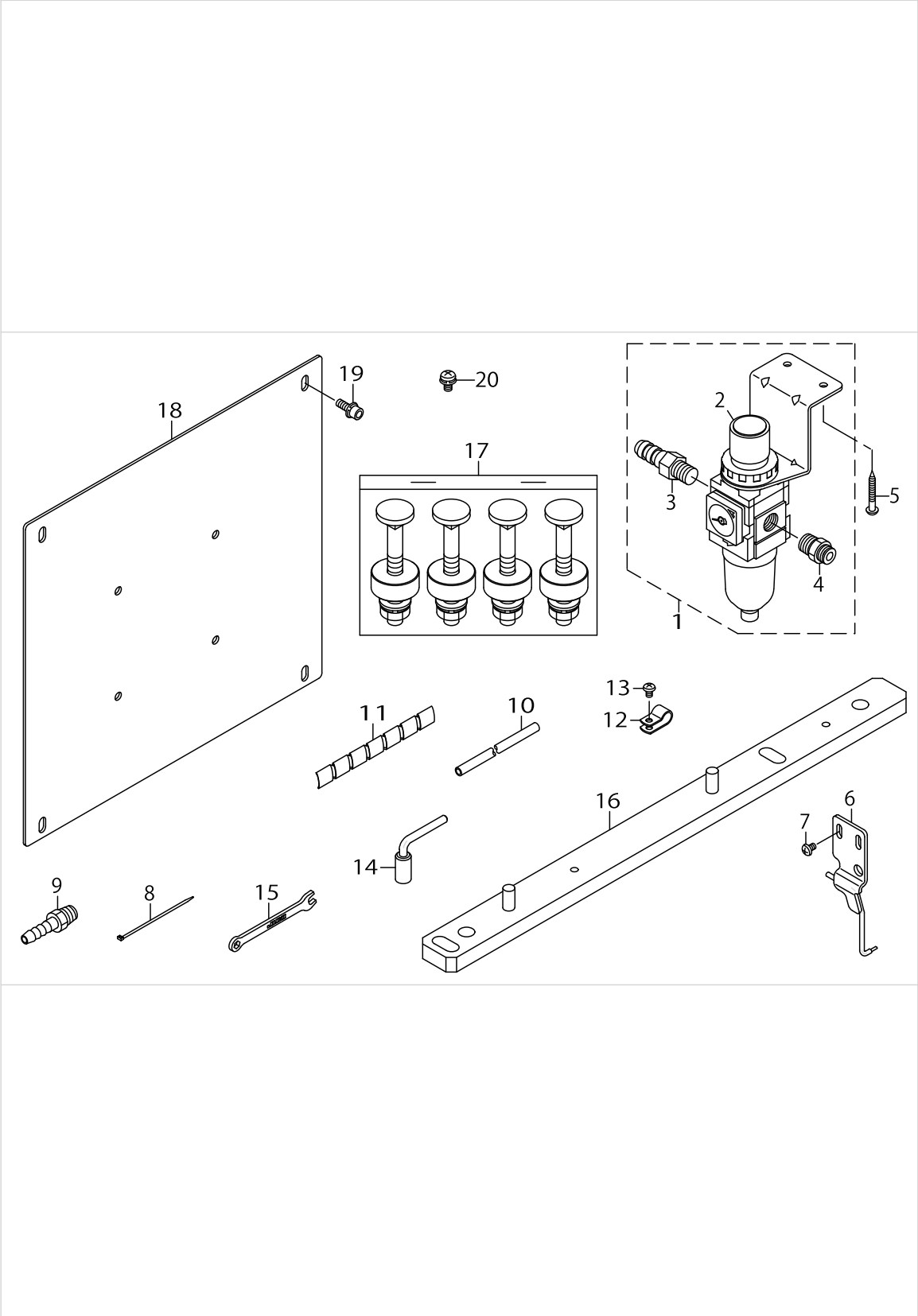
NEEDLE THREAD WIPER COMPONENTS (UT55)



NEEDLE THREAD WIPER COMPONENTS (UT55)

No.	Parts No.	Parts name	Remarks	Level	Cons	Qty
1	40031642	NEEDLE_THREAD_WIPER_ASSY				1
2	40031388	SOLENOID_BRACKET		*		1
3	40031390	WIPER_BAR_GUIDE		*		1
4	40031391	SOLENOID_LEVER		*		1
5	40031392	SOLENOID_LEVER_PIN		*		1
6	40031394	WIPER_BAR_ASSY		*		1
7	40031396	WIPER HOLDER		*		1
8	40031397	WIPER		*		1
9	40031399	THD_CLAMP_SPRING		*		1
10	40031402	SAFETY_COVER		*		1
11	40032661	ROTARY_SOLENOID_ASSY		*		1
12	CM300200001	FINGER INJURY CAUTION LABEL (16)		*		1
13	NM6030001SN	NUT		*		2
14	RE0300000K0	E-RING 3		*		1
15	SM4030455SP	SCREW		*		2
16	SM6020250TP	SCREW.		*		1
17	SM6030500SN	SCREW M3 L=5		*		1
18	SM6040450TP	SCREW M4 L=4		*		1
19	SM9040800SP	SCREW		*		1
20	WS0310002KN	SPRING WASHER M3		*		2
21	SM6040800SP	SCREW				2
22	WP0450826SC	WASHER 4.5X10X0.8				2
23	40034194	UT23_UT_CABLE_ASSY				1

ACCESSORIE PARTS COMPONENTS



ACCESSORIE PARTS COMPONENTS

No.	Parts No.	Parts name	Remarks	Level	Cons	Qty
1	40018052	FILTER_REGULATOR_ASSY				1
2	PF0552070C0	FILTER GEGULATOR		*		1
3	F1021003000	HOSE JOINT		*		1
4	PJ301065201	HALF UNION 6XPT1/4		*		1
5	SK3452001SE	WOOD SCREW D=4.5 L=20				2
6	70001785	AIR_BLOW_WIPER_ASSY	FOR UT56			1
7	SM4040655SP	SCREW M4 L=6				2
8	EA9500B0100	CABLE BAND				3
9	PJ032526001	HOSE NIPPLE				1
10	BT0600401EB	URETHANE TUBE BLACK 6X4				2
11	HX00314000A	SPIRAL TUBE				0.6
12	HX00150000C	CABLE CLAMP				1
13	SM4040655SP	SCREW M4 L=6				1
14	40073360	WRENCH				1
15	13160106	SPANNER (5X6)				1
16	70001843	SUPPORT_PLATE_ASSY	FOR HALF-SUNKEN TYPE TABLE			2
17	40026691	ASSY_BOLT_SET(7800_SUBMERGED)	FOR HALF-SUNKEN TYPE TABLE			1
18	40094198	SC_BRACKET	FOR HALF-SUNKEN TYPE TABLE			1
19	SL6051492TN	BOLT	FOR HALF-SUNKEN TYPE TABLE			4
20	SL4051091SC	SCREW M5X0.8 L=10	FOR HALF-SUNKEN TYPE TABLE			4

HOW TO MAKE USE OF THIS PARTS LIST

1.As to "#01" and "#02" refer to the "Note" given at the bottom of the respective pages.

2.Codes on the "Qty" column

- Each numeral indicates the number of parts required.
- "0.1" and "2.5" indicate the length (in meters) of the respective parts.

3.Parentheses mean that the corresponding part is a subpart that constructs an assembly part.

4.Dotted lines on the Figures indicate assembly parts.

1. リストページの# 0 1、# 0 2の印は、ページ下の"注記"の説明を参照下さい。
2. 数量欄の数字は、個数を表し、0. 1、2. 5等の数値は、長さ（単位メートル）を表します。
3. 数量欄の（ ）は、組部品を構成している子部品であることを意味します。
4. イラストページの-----枠は、組構成であることを意味します。

ALL PARTS NOT MENTIONED IN THIS PARTS LIST ARE SAME AS THOSE OF
MODEL MF-7900. OTHER PARTS LIST RELATED TO THIS MODEL.
*MF-7900. (NO.1599 PART NO.70002009)

このパーツリスト記載以外の部品はMF-7900.と共通です。
この機種に関連するパーツリストとして下記のパーツリストがあります。
* MF-7900. (NO.1599 品番70002009)

NUMERICAL INDEX OF PARTS

PART NO	PAGE	REF NO.	PART NO	PAGE	REF NO.	PART NO	PAGE	REF NO.
13140504	8	4	40027211	14	50	40086303	10	4
13160106	20	15	40027213	14	51	40086308	10	25
13301809	2	28	40029004	16	8-9	40094198	20	18
13302203	2	17	40031388	18	2	40101602	8	12
13302302	2	30	40031390	18	3	40102003	8	13
13308507	6	17	40031391	18	4	40112105	6	38
13324108	6	14	40031392	18	5	40112106	6	29
13340302	8	5	40031394	18	6	40112107	6	7
13401906	2	5	40031396	18	7	40118009	6	36
13402003	2	22	40031397	18	8	40119461	4	53
13402706	2	35	40031399	18	9	70001413	4	52
13403605	2	41	40031402	18	10	70001414	2	38
13406905	6	1	40031642	18	1	70001451	6	34
13407903	6	25	40032661	18	11	70001457	4	54
13408406	6	2	40034194	18	23	70001458	6	20
13408505	6	4	40042363	8	8	70001479	12	32
13408604	6	26	40042364	8	9	70001484	4	62
13408703	6	23	40042365	8	10	70001563	16	30
13409800	2	40	40042366	8	11	70001612	8	3
13440409	10	32	40065510	16	10	70001613	8	17
13442504	12	1	40065785	8	1	70001614	8	18
13442603	12	26	40069703	14	59	70001615	8	15
13442702	12	27	40070110	10	11	70001616	8	16
13442900	12	13	40072396	12	2	70001617	8	14
13443007	12	15	40073360	20	14	70001618	8	20
13443106	12	25	40082196	2	15	70001620	8	7
13443205	12	22	40086274	10	15	70001621	8	21
13443601	12	12	40086275	10	9	70001642	4	59
13455001	14	63	40086277	10	27	70001643	4	60
13455100	14	64	40086278	10	28	70001645	4	57
13456108	8	23	40086279	10	29	70001648	2	31
13456207	8	24	40086280	10	23	70001650	2	29
13456405	8	28	40086282	10	22	70001652	2	43
13456603	8	27	40086286	10	20	70001653	2	3
13458203	16	5	40086290	10	33	70001655	2	2
13458401	16	21	40086292	10	12	70001657	2	1
13458500	16	8-9	40086293	10	5	70001661	2	10
13459300	16	4	40086294	10	3	70001662	10	36
22901805	12	24	40086295	10	6	70001663	2	20
26019000	8	6	40086296	10	7	70001667	2	12
40017824	6	6	40086298	10	30	70001668	2	24
40018052	20	1	40086299	10	31	70001670	2	25
40018079	14	61	40086300	10	21	70001671	2	33
40021746	12	35	40086301	10	19	70001673	4	50
40026691	20	17	40086302	10	34	70001678	2	44

NUMERICAL INDEX OF PARTS

PART NO	PAGE	REF NO.	PART NO	PAGE	REF NO.	PART NO	PAGE	REF NO.
70001681	6	42	NM6030250SC	16	13	SM4040655SP	6	35
70001682	6	22	NM6040000SN	2	14	SM4040655SP	8	22
70001683	6	24	NM6040001SC	4	49	SM4040655SP	12	55
70001684	6	11	NM6040001SP	10	14	SM4040655SP	14	55
70001685	6	12	NM6050001SP	10	8	SM4040655SP	20	13
70001686	6	15	PA0602006A0	16	3	SM4040855SP	2	61
70001692	6	10	PA2001802A0	12	10	SM4040855SP	4	61
70001776	12	18	PA2503004A0	14	62	SM4041055SP	2	48
70001777	12	28	PC010508000	12	11	SM4041055SP	4	48
70001778	12	19	PC010508000	16	20	SM4041055SP	8	19
70001780	16	12	PC012401000	12	46	SM4041655SP	8	2
70001781	16	7	PF0552070C0	20	2	SM4043555SP	12	9
70001782	16	19	PH0300252C0	2	7	SM4051455SP	4	56
70001783	16	22	PJ025100002	12	7	SM4850455SP	16	15
70001784	16	23	PJ032526001	20	9	SM6020250TP	18	16
70001785	20	6	PJ301065201	20	4	SM6020350SP	10	26
70001788	16	1·2	PJ304040504	16	6	SM6030500SN	18	17
70001790	16	24	PJ304045102	14	65	SM6030800SP	2	45
70001791	16	11	PJ304065101	12	5	SM6040450TP	18	18
70001799	10	38	PJ308040006	12	45	SM6040650TP	10	39
70001800	10	17·18	PS0300122KH	6	27	SM6040750TP	2	19
70001801	10	37	PV035161000	12	3	SM6040800SP	2	21
70001802	10	1·2	PX055104000	12	4	SM6040800SP	18	21
70001843	20	16	PX500014000	12	8	SM6040802TN	16	29
70002246	16	1·2	RE0300000K0	8	30	SM6040802TP	12	21
70003278	6	16	RE0300000K0	18	14	SM6041202TP	12	33
70003317	6	40	RO037180100	2	9	SM6050800SP	2	42
70003362	10	17·18	SB115002300	6	9	SM6050802TP	14	60
70003424	10	1·2	SD0550906TP	6	13	SM6051002TP	6	41
70004184	6	33	SD0700706TP	12	34	SM6051002TP	12	14
BT0400251EB	12	36~44	SK3452001SE	20	5	SM6061002TP	12	30
BT0600401EB	20	10	SL4051091SC	20	20	SM6061202TP	12	16
CM300200001	18	12	SL6042092TN	4	55	SM6061400SP	14	68
CQ300000001	6	28	SL6051492TN	20	19	SM8030412TP	8	26
EA9500B0100	14	49	SL6052592TN	6	37	SM8030450SP	16	17
EA9500B0100	20	8	SM1020450TP	10	24	SM8040360TP	2	36
F1021003000	20	3	SM1030400SP	4	58	SM8040360TP	8	29
HX00150000B	14	54	SM1030501SN	2	26	SM8040412TP	2	32
HX00150000C	12	47	SM1040800SP	2	34	SM8041012TP	2	13
HX00150000C	20	12	SM1040860SP	2	23	SM8050412TP	6	30
HX003140000	14	56~58	SM4030455SP	18	15	SM8050512TP	16	18
HX00314000A	20	11	SM4031001SN	12	31	SM8050612TP	6	5
HX00314000D	2	37	SM4040501SN	14	53	SM8060552TP	6	18
HX00314000D	14	56~58	SM4040655SP	2	51	SM8060812TP	6	31
NM6030001SN	18	13	SM4040655SP	4	51	SM8060842TP	6	32

NUMERICAL INDEX OF PARTS

PART NO	PAGE	REF NO.
SM8550952TP	6	39
SM9040800SP	18	19
TA0980502R0	10	35
WP0420516KH	10	10
WP0430800SC	12	20
WP0430800SC	16	25
WP0431005SP	10	13
WP0450801SC	2	47
WP0450826SC	16	28
WP0450826SC	18	22
WP0621016SD	14	66
WS0310002KN	18	20
WS0510002KP	2	39
WS0610002KP	14	67
WT0430002KN	14	52