

MODEL : AK-85A

List No : 1588-00

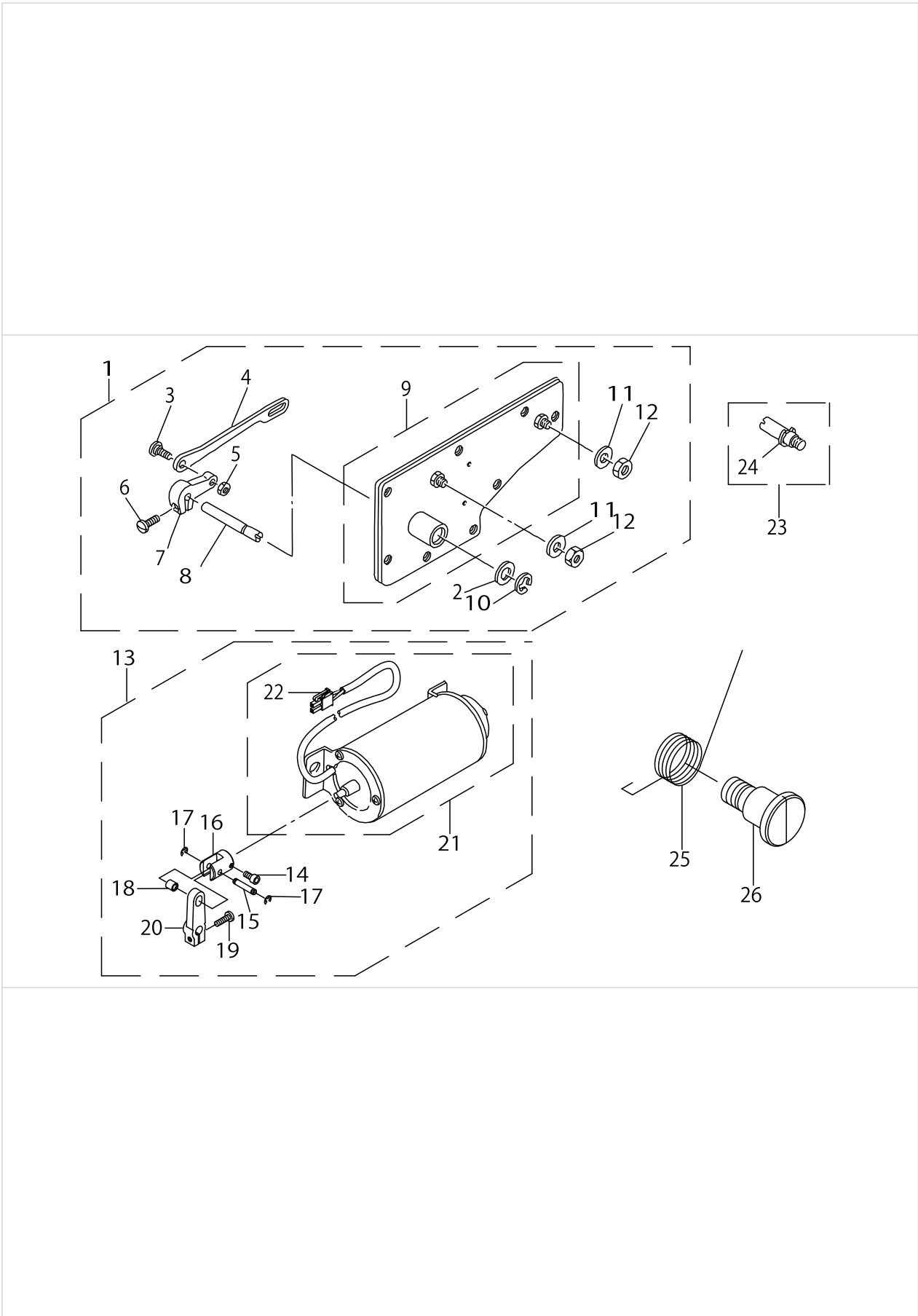
PARTS LIST

Published:09/10/2017

CONTENTS

COMPONENTS	1
HOW TO MAKE USE OF THIS PARTS LIST	3

COMPONENTS



COMPONENTS

No.	Parts No.	Parts name	Remarks	Level	Cons	Qty
1	40117117	WINDOW PLATE ASM. B				1
2	WP1021016SD	WASHER		*		1
3	SD0800352SP	SHOULDER SCREW D=8 H=3.5		*		1
4	22991301	SOLENOID LINK		*		1
5	NS6150310SP	HEXAGONAL NUT 15/64-28		*		1
6	SS7121410TP	SCREW 3/16-28 L=14		*		1
7	GAK33027000	SOLENOID ARM B		*		1
8	22991400	SOLENOID SHAFT		*		1
9	40117118	WINDOW PLATE ASM. A		*		1
10	RE0700000K0	E-RING 7		*		1
11	WP0621036SP	WASHER		*		2
12	NS6150440SP	HEXAGONAL NUT 15/64-28		*		2
13	40117107	AK SOLENOID ASM. B				1
14	SM6051002TP	SCREW M5X0.8 L=10		*		1
15	GAK33012000	SOLENOID PIN		*		1
16	GAK33035000	SOLENOID COLLAR		*		1
17	RE0400000KP	E-RING 4		*		2
18	GAK33013000	SOLENOID PIN COLLAR		*		1
19	SM6051552TP	SCREW M5 L=15		*		1
20	GAK33011000	SOLENOID ARM A		*		1
21	40117108	AK SOLENOID ASM. A		*		1
22	HK034610020	CONNECTOR		*		1
23	GAK330400A0	SHAFT PIN ASM.				1
24	RE0500000K0	E-RING		*		1
25	GAK33042000	KNEE LIFTING LINK SPRING				1
26	GAK33041000	KNEE LIFTING LINK STEP SCREW				1

HOW TO MAKE USE OF THIS PARTS LIST

1.As to "#01" and "#02" refer to the "Note" given at the bottom of the respective pages.

2.Codes on the "Qty" column

- Each numeral indicates the number of parts required.
- "0.1" and "2.5" indicate the length (in meters) of the respective parts.

3.Parentheses mean that the corresponding part is a subpart that constructs an assembly part.

4.Dotted lines on the Figures indicate assembly parts.

1. リストページの# 0 1、# 0 2の印は、ページ下の"注記"の説明を参照下さい。
2. 数量欄の数字は、個数を表し、0. 1、2. 5等の数値は、長さ（単位メートル）を表します。
3. 数量欄の（ ）は、組部品を構成している子部品であることを意味します。
4. イラストページの-----枠は、組構成であることを意味します。

NUMERICAL INDEX OF PARTS

PART NO	PAGE	REF NO.
22991301	2	4
22991400	2	8
40117107	2	13
40117108	2	21
40117117	2	1
40117118	2	9
GAK33011000	2	20
GAK33012000	2	15
GAK33013000	2	18
GAK33027000	2	7
GAK33035000	2	16
GAK330400A0	2	23
GAK33041000	2	26
GAK33042000	2	25
HK034610020	2	22
NS6150310SP	2	5
NS6150440SP	2	12
RE0400000KP	2	17
RE0500000K0	2	24
RE0700000K0	2	10
SD0800352SP	2	3
SM6051002TP	2	14
SM6051552TP	2	19
SS7121410TP	2	6
WP0621036SP	2	11
WP1021016SD	2	2