

MODEL : DU-1181N (Machine number : 8D7EJ01536~)

List No : 1563-02

# PARTS LIST

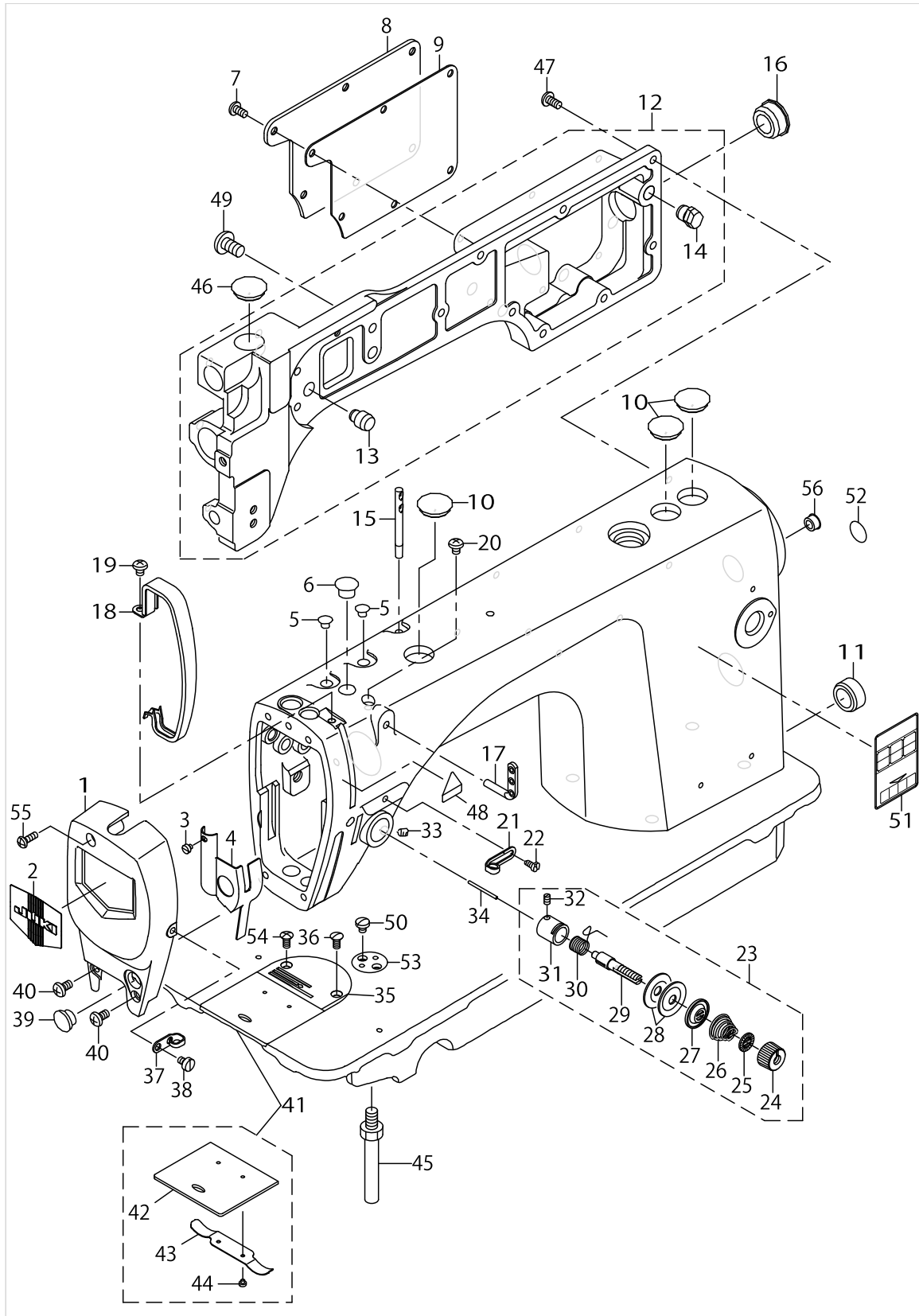
Published:09/10/2017

## CONTENTS

---

MACHINE FRAME & MISCELLANEOUS COVER COMPONENTS .....	1
MAIN SHAFT & THREAD TAKE-UP LEVER COMPONENTS .....	5
NEEDLE BAR, UPRIGHT SHAFT & HOOK DRIVING SHAFT COMPONENTS .....	7
HAND LIFTER COMPONENTS .....	9
FEED MECHANISM COMPONENTS.....	11
UPPER FEED MECHANISM COMPONENTS .....	15
OIL LUBRICATION COMPONENTS .....	19
OIL RESERVOIR COMPONENTS .....	21
BELT COVER & BOBBIN COMPONENTS.....	23
THREAD STAND COMPONENTS.....	25
HOW TO MAKE USE OF THIS PARTS LIST .....	27

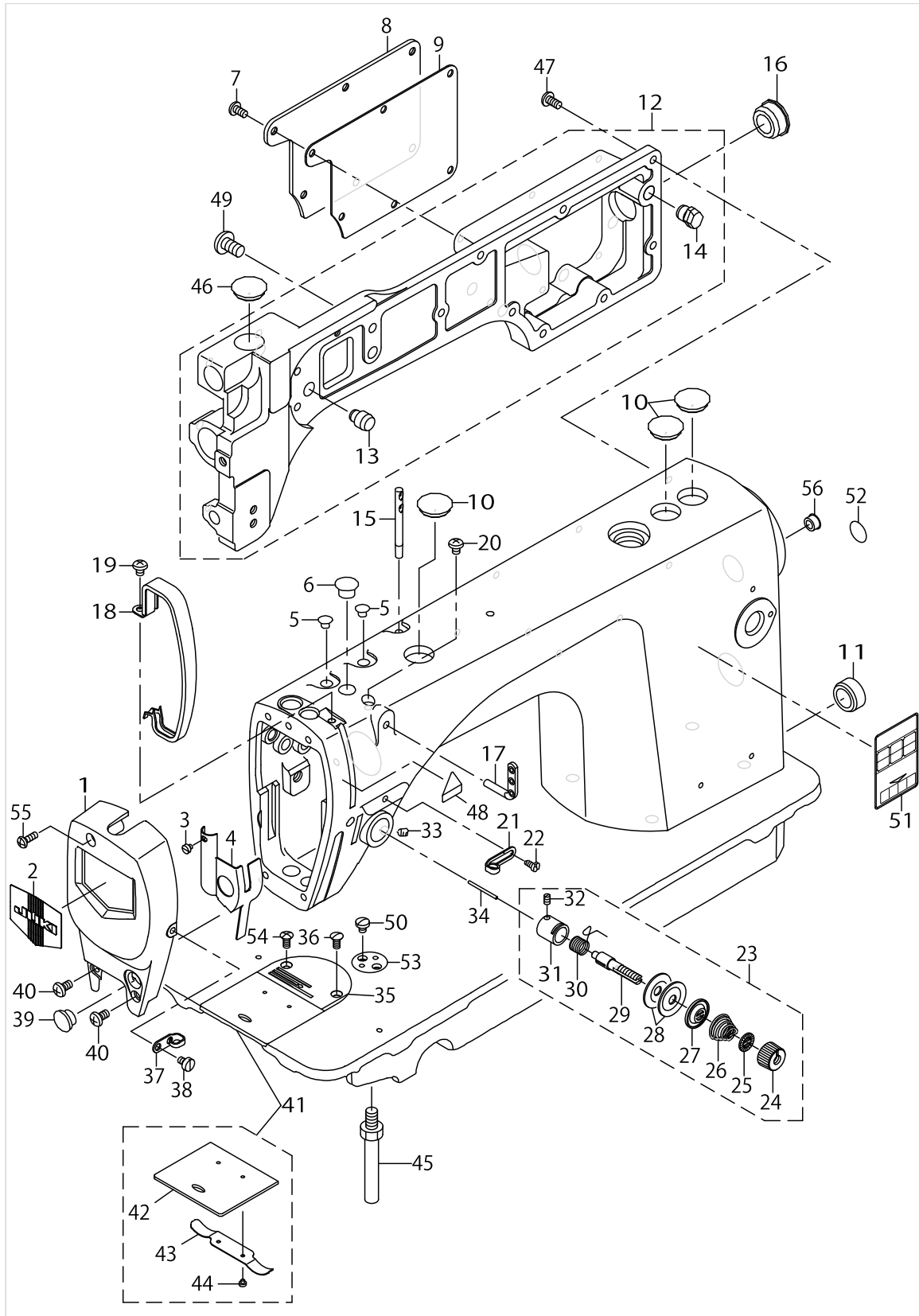
# MACHINE FRAME & MISCELLANEOUS COVER COMPONENTS



MACHINE FRAME & MISCELLANEOUS COVER COMPONENTS

No.	Parts No.	Parts name	Remarks	Level	Cons	Qty
1	40022646	FACE PLATE				1
2	22902506	FACE PLATE				1
3	SS6080320SP	SCREW 1/8-44 L=2.5				1
4	40021790	FACE PLATE OIL SHIELD ASM.				1
5	TA0850604R0	RUBBER PLUG				2
6	TA1250705R0	RUBBER PLUG				1
7	SS4120915SP	SCREW 3/16-28 L=9				6
8	40022647	WINDOW PLATE				1
9	40021567	GASKET				1
10	TA2050406R0	RUBBER PLUG				3
11	TA2101002R0	RUBBER PLUG				1
12	40021907	UPPER FEED BASE COMPL.				1
13	40021592	PIN(A)		*		1
14	40021593	PIN(B)		*		1
15	22958300	NEEDLE THREAD GUIDE PIN				1
16	TA2351004R0	RUBBER PLUG				1
17	40023295	THREE HOLE THREAD EYELET				1
18	11415205	THREAD TAKE-UP LEVER COVER(JE)				1
19	SS4120615SP	SCREW 3/16-28 L=6				1
20	SS4120615SP	SCREW 3/16-28 L=6				1
21	23626104	ARM THREAD GUIDE A				1
22	11001500	SCREW				1
23	40085722	THREAD_TENSION_ASM.				1
24	22921308	THREAD TENSION NUT		*		1
25	22921407	ROTATION STOPPER		*		1
26	40085903	SPRING		*		1
27	22921803	DISK STOPPER		*		1
28	22921506	THREAD TENSION DISK		*		2
29	22921209	THREAD TENSION POST		*		1
30	22921605	THREAD TAKE-UP SPRING		*		1
31	22945307	THREAD TENSION POST BASE		*		1
32	SS8090670SP	SCREW 9/64-40 L=5.5		*		1
33	SS8150710TP	SCREW 15/64-28 L=7				1
34	22920904	PIN				1
35	40021615	THROAT PLATE				1
36	SS2110920TP	SCREW 11/64-40 L=8.5				1
37	22920607	ARM THREAD GUIDE B				1
38	SS6110610TP	SCREW 11/64-40 L=6				1
39	TA1250406R0	RUBBER PLUG D=12.5 L=4				1
40	SS4121015SP	SCREW 3/16-28 L=10				2
41	22901250	SLIDE PLATE ASM.				1
42	22901201	SLIDE PLATE		*		1
43	22901300	SLIDE PLATE SPRING		*		1
44	SS6060210SP	SCREW 3/32-56 L=1.9		*		2
45	22901003	BED SCREW STUD				4
46	TA2050406R0	RUBBER PLUG				1
47	SS4121015SP	SCREW 3/16-28 L=10				10

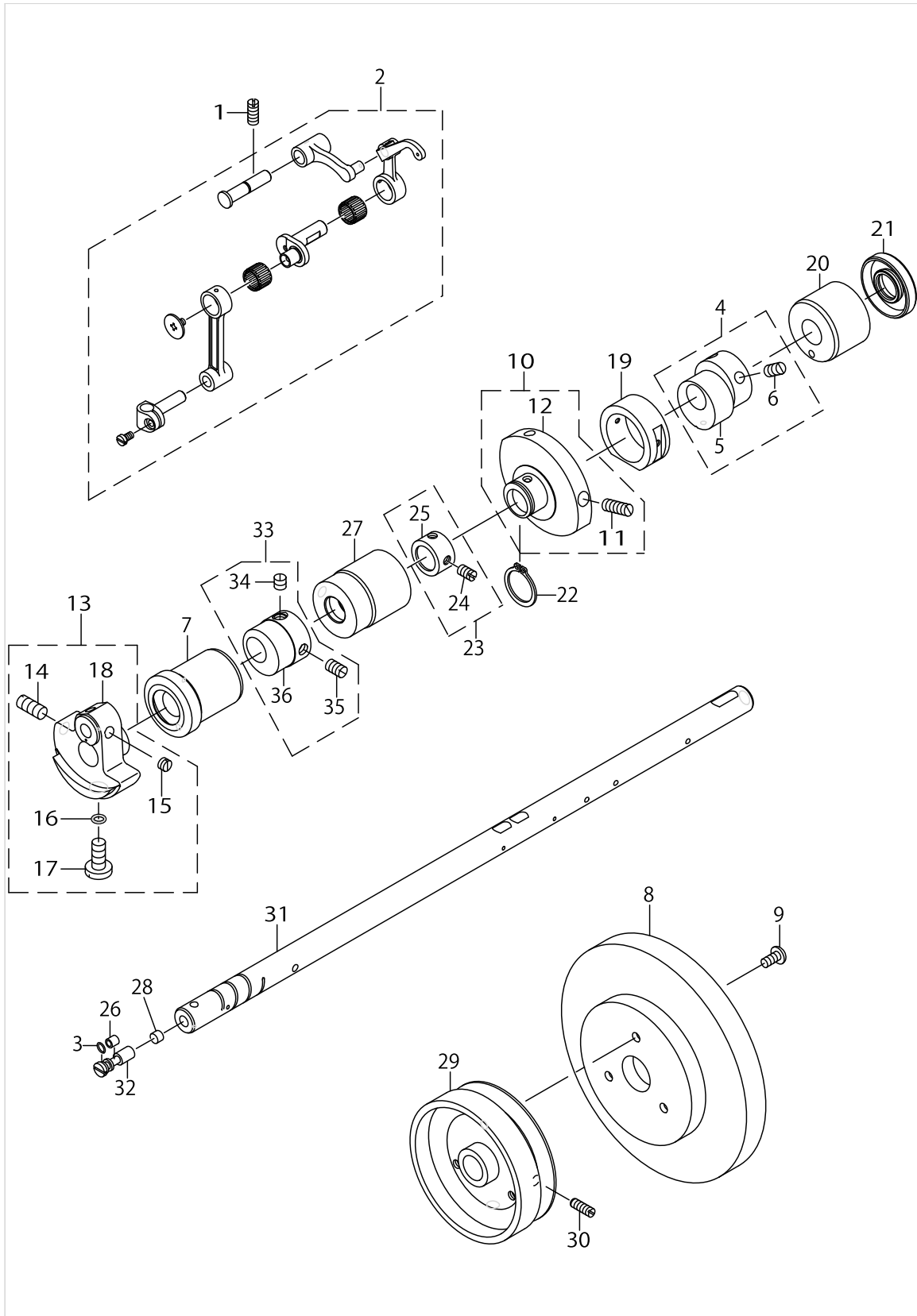
# MACHINE FRAME & MISCELLANEOUS COVER COMPONENTS



MACHINE FRAME & MISCELLANEOUS COVER COMPONENTS

No.	Parts No.	Parts name	Remarks	Level	Cons	Qty
48	CM300200001	ATTENTION SEAL 16				1
49	SS4701415SD	SCREW				1
50	SS7110720SP	SCREW 11/64-40 L=7				2
51	CM301200001	SAFETY LABEL_S				1
52	22901805	GROUND MARK				1
53	22902605	RULER STOP SEAT				1
54	SS2110915SP	SCREW 11/64-40 L=8.5				1
55	SS4112215SP	SCREW 11/64-40 L=22				1
56	TA0950806R0	RUBBER PLUG				1

# MAIN SHAFT & THREAD TAKE-UP LEVER COMPONENTS

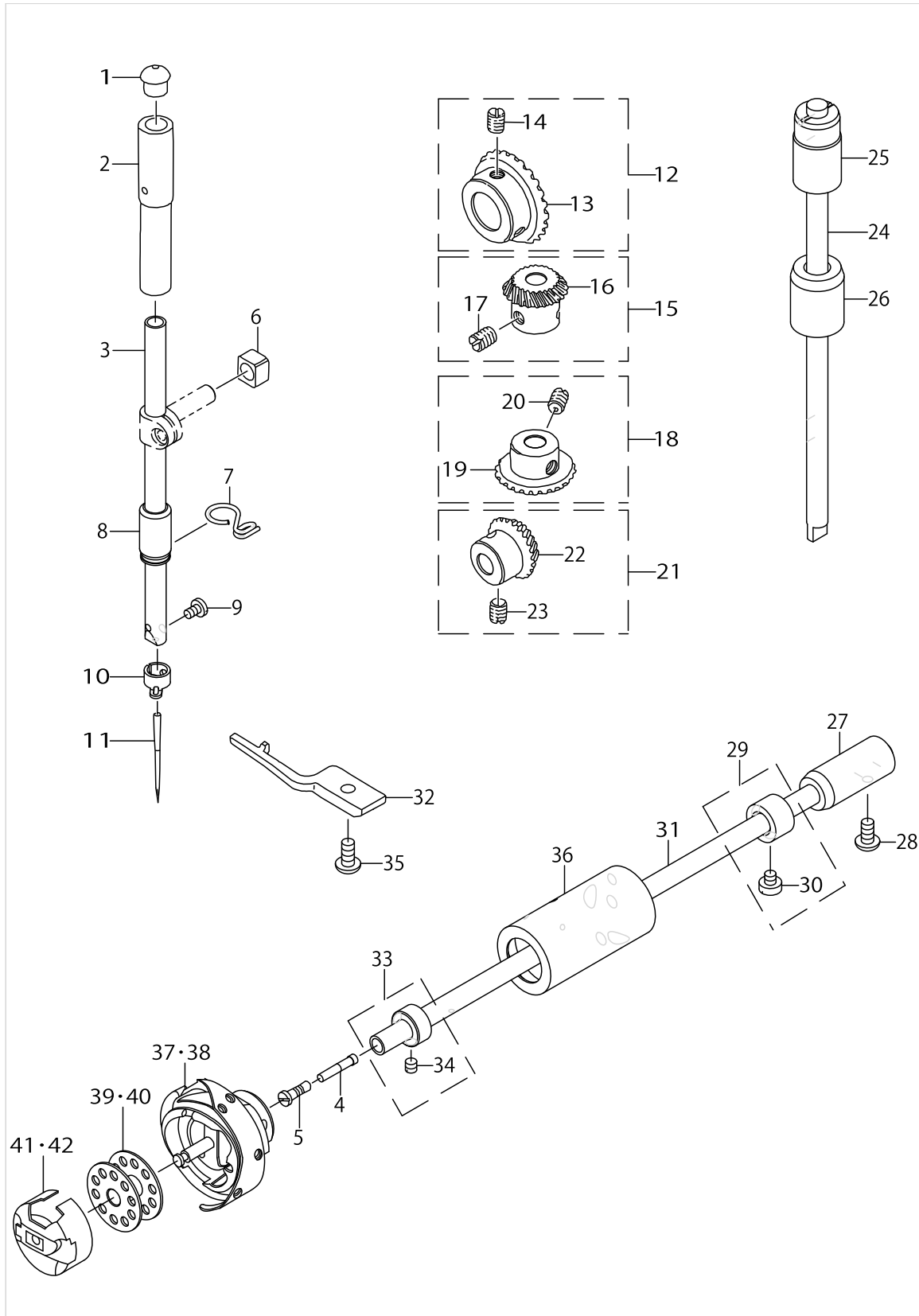


MAIN SHAFT & THREAD TAKE-UP LEVER COMPONENTS

No.	Parts No.	Parts name	Remarks	Level	Cons	Qty
1	SS8151150TP	SCREW 15/64-28 L=10.5				1
2	40021775	THREAD TAKE-UP LEVER ASM.				1
3	RO029180100	RUBBER RING				1
4	40021773	ECCENTRIC FEED CAM ASM.				1
5	40021574	ECCENTRIC FEED CAM		*		1
6	SS8660810TP	SCREW 1/4-40 L=8		*		2
7	22903207	MAIN SHAFT BUSHING FRONT				1
8	40026457	HAND WHEEL B				1
9	SM4051055SP	SCREW				3
10	40021774	VERTICAL FEED CAM ASM.				1
11	SS8681650TP	SCREW 9/32-28 L=16		*		2
12	40021575	VERTICAL FEED CAM		*		1
13	40021770	COUNTER WEIGHT ASM.				1
14	SS8681650TP	SCREW 9/32-28 L=16		*		1
15	SS8660410SP	SCREW 1/4-40 L=4.2		*		2
16	RO044240100	RUBBER RING		*		1
17	SS7681650TP	SCREW 9/32-28 L=16		*		1
18	40021635	COUNTER WEIGHT		*		1
19	40024118	PITMAN SLEEVE				1
20	40048594	MAIN SHAFT BUSHING				1
21	11002508	OIL SEAL				1
22	RC1850001KP	SNAP RING 18.5				1
23	22904155	MAIN SHAFT THRUST COLLAR ASM.				1
24	SS8660610TP	SCREW 1/4-40 L=6		*		2
25	22904106	MAIN SHAFT THRUST COLLAR		*		1
26	B1215552000	OIL ADJUSTING COLLAR				1
27	22903306	BUSHING INTERMEDIATE				1
28	B1226490000	ROLLER FELT				1
29	40026454	HAND WHEEL A				1
30	SS8151550SP	SCREW 15/64-28 L=15				2
31	22903009	MAIN SHAFT				1
32	22903900	ADJUSTING PIN				1
33	40102602	FEED_DRIVE_ECCENTRIC_CAM_ASM				1
34	SS8660610TP	SCREW 1/4-40 L=6		*		1
35	SS8661030SP	SCREW 1/4-40 L=10		*		1
36	40101997	FEED_DRIVE_ECCENTRIC_CAM		*		1



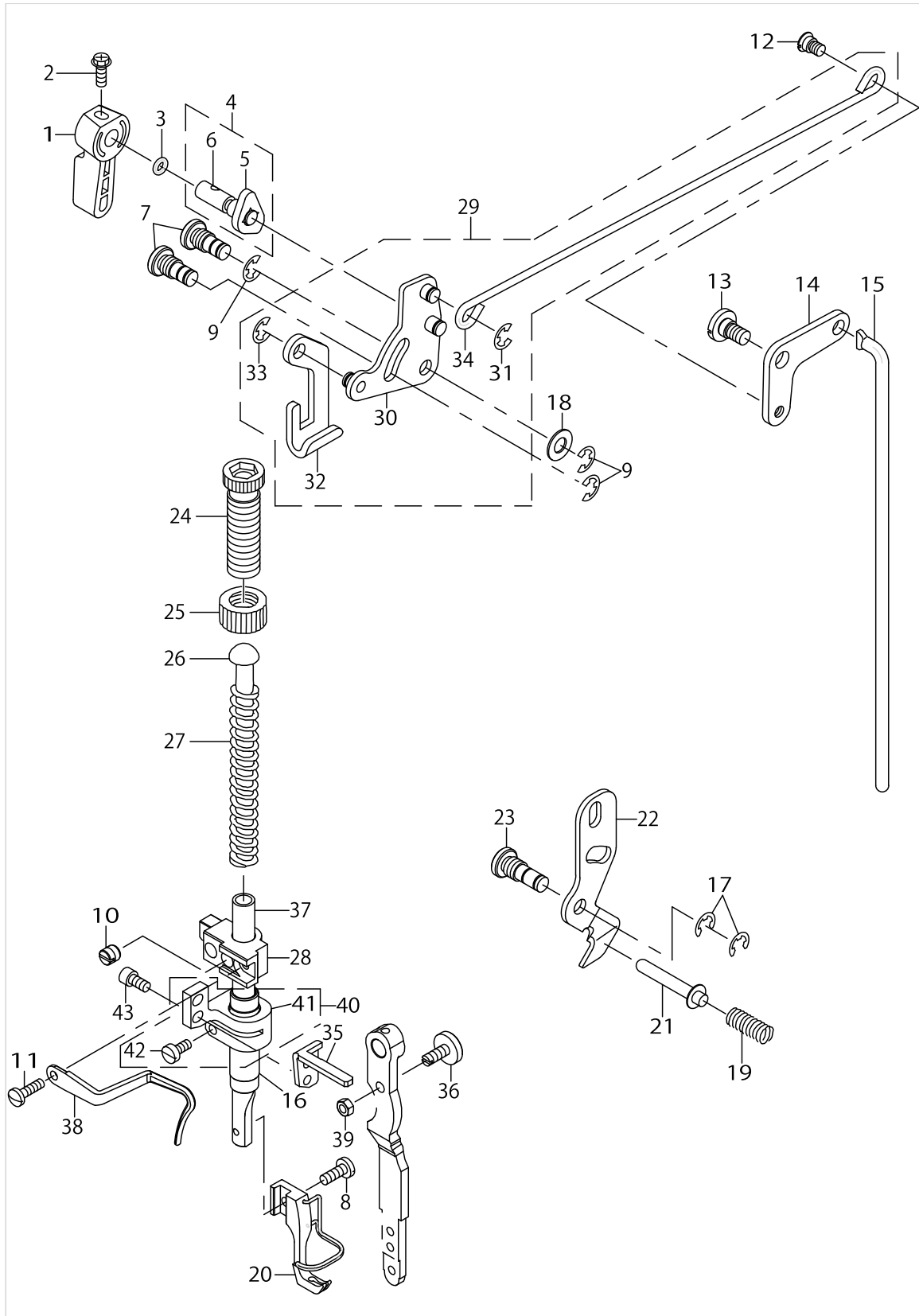
NEEDLE BAR, UPRIGHT SHAFT & HOOK DRIVING SHAFT COMPONENTS



NEEDLE BAR, UPRIGHT SHAFT & HOOK DRIVING SHAFT COMPONENTS

No.	Parts No.	Parts name	Remarks	Level	Cons	Qty
1	22901409	NEEDLE BAR UPPER BUSH CAP				1
2	22906101	NEEDLE BAR BUSHING, UPPER				1
3	40023030	NEEDLE BAR				1
4	11404704	OIL WICK				1
5	22916506	SET SCREW				1
6	40090058	SLIDE BLOCK				1
7	40023223	NEEDLE BAR THREAD GUIDE				1
8	40021604	NEEDLE BAR BUSHING LOWER				1
9	SS7080510TP	SCREW 1/8-44 L=4.5				1
10	40024124	NEEDLE BAR THREAD GUIDE				1
11	MDP170B2100	NEEDLE DPX17 #21				1
12	40090002	UPPER LARGE BEVEL GEAR ASM.				1
13	40090006	UPPER LARGE BEVEL GEAR		*		1
14	SS8660810TP	SCREW 1/4-40 L=8		*		2
15	40090003	UPPER SMALL BEVEL GEAR ASM.				1
16	40090007	UPPER SMALL BEVEL GEAR		*		1
17	SS8660810TP	SCREW 1/4-40 L=8		*		2
18	40090004	LOWER LARGE BEVEL GEAR ASM.				1
19	40090008	LOWER LARGE BEVEL GEAR		*		1
20	SS8660810TP	SCREW 1/4-40 L=8		*		2
21	40090005	LOWER SMALL BEVEL GEAR ASM.				1
22	40090009	LOWER SMALL BEVEL GEAR		*		1
23	SS8660810TP	SCREW 1/4-40 L=8		*		2
24	40021612	UPRIGHT SHAFT				1
25	22905103	UPRIGHT SHAFT BUSHING UPPER				1
26	22905202	UPRIGHT SHAFT BUSHING LOWER				1
27	22916308	HOOK DRIVING SHAFT BUSH REAR				1
28	SS4120915SP	SCREW 3/16-28 L=9				1
29	22917157	THRUST COLLAR ASM. REAR				1
30	SS6110420TP	SCREW 11/64-40 L=4.8		*		2
31	11403300	HOOK DRIVING SHAFT				1
32	40141234	POSITIONING_FINGER				1
33	22917058	THRUST COLLAR ASM. FRONT				1
34	SS8110410TP	SCREW 11/64-40 L=3.5		*		2
35	SS4110915TP	SCREW 11/64-40 L=9				1
36	40021613	HOOK DRIVING SHAFT BUSH FRON				1
37	B1830141HA0	HOOK ASM.	FOR DU-1181N-***A			1
38	40098685	HOOK ASM.				1
39	40021610	BOBBIN				1
40	B9117201000	BOBBIN	FOR DU-1181N-***A			1
41	40098684	BOBBIN CASE ASM.				1
42	40098959	BOBBIN CASE ASM.	FOR DU-1181N-***A			1

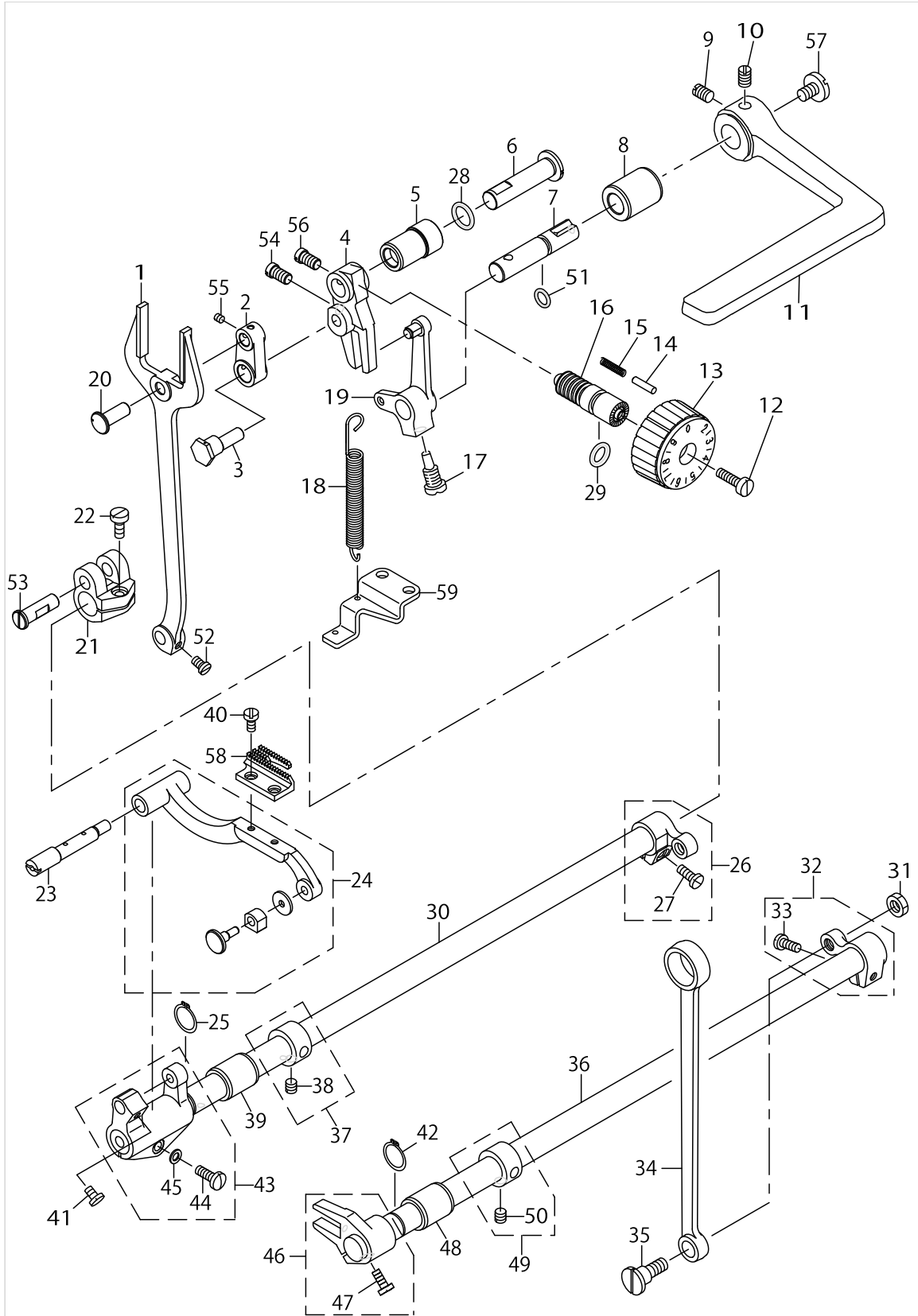
# HAND LIFTER COMPONENTS



HAND LIFTER COMPONENTS

No.	Parts No.	Parts name	Remarks	Level	Cons	Qty
1	22907802	HAND LIFTER				1
2	B1521555000	SCREW				1
3	RO037180100	RUBBER RING				1
4	40021570	HAND LIFTER CAM ASM.				1
5	22908503	HAND LIFTER CAM		*		1
6	22908602	HAND LIFTER CAM SHAFT		*		1
7	22908701	LINK SHAFT				2
8	SS7091110TP	SCREW 9/64-40 L=10.5				1
9	RE0500000K0	E-RING				3
10	SS8660610TP	SCREW 1/4-40 L=6				1
11	SS6090910SP	SCREW 9/64-40 L=9				2
12	22908909	HINGE SCREW				1
13	SD0720331SP	HINGE SCREW D=7.24 H=3.3				1
14	22908800	KNEE LIFTER LINK				1
15	22909006	KNEE LIFTER CONNECTING ROD				1
16	40014007	PRESSER BAR BUSHING LOWER				1
17	RE0500000K0	E-RING				2
18	WP0650876SD	WASHER 6.5X13X0.8				1
19	22920409	THREAD RELEASE PIN SPRING				1
20	40021791	PRESSER FOOT ASM.				1
21	22920300	THREAD RELEASE SUPPORTING PIN				1
22	40064560	THREAD_RELEASE_PLATE				1
23	22920102	TENSION RELEASE ASHFT				1
24	40101971	PRESSER_ADJUSTING_SCREW				1
25	22907604	PRESSER SPRING REGULATOR NUT				1
26	22907703	PRESSER GUIDE BAR				1
27	40101970	PRESSER_SPRING				1
28	40102978	PRESSER_BAR_GUIDE_BRACKET				1
29	40064558	KNEE_LIFTING_CROSS_ROD_ASM.				1
30	40064561	LIFTING_LINK_ASM		*		1
31	RE0500000K0	E-RING		*		1
32	40023246	LIFTING PLATE		*		1
33	RE0500000K0	E-RING		*		1
34	22908305	KNEE LIFTER SIDE ROD		*		1
35	40109071	SUPPORT_PLATE				1
36	40109160	MS1190MF/V045R-AA				1
37	40017805	PRESSER BAR				1
38	40101961	THREAD_GUIDE				1
39	NS6110310SP	NUT 11/64-40				1
40	40101958	SUPPORT_BASE_ASM.				1
41	40101957	SUPPORT_BASE		*		1
42	SS7091410SP	SCREW 9/64-40 L=13.5		*		1
43	SM6040802TP	SCREW M4X0.7 L=8				2

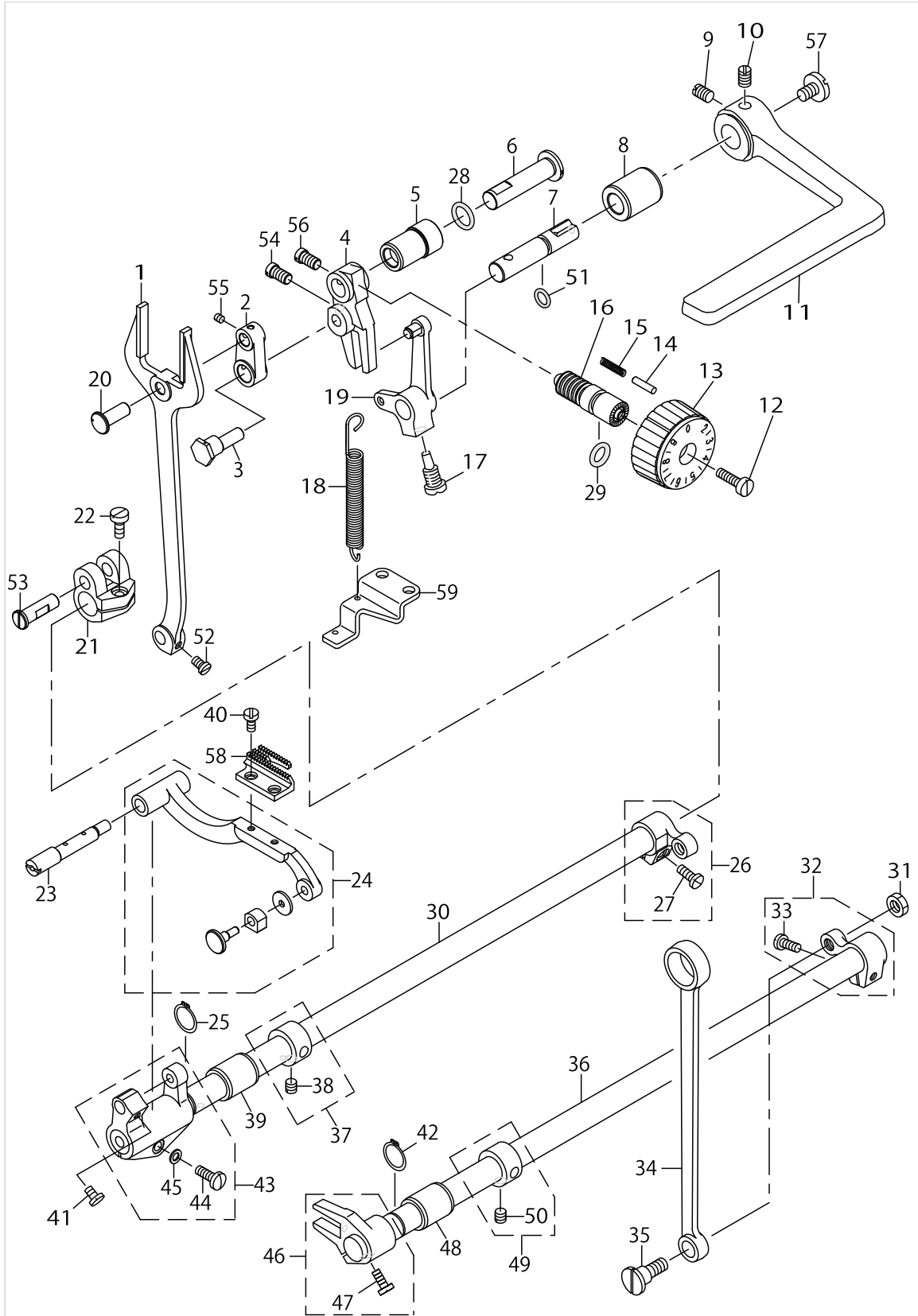
FEED MECHANISM COMPONENTS



FEED MECHANISM COMPONENTS

No.	Parts No.	Parts name	Remarks	Level	Cons	Qty
1	40024130	PITMAN ROD				1
2	40026195	FEED REGULATOR CONNECTING LINK				1
3	40024119	WALKING FOOT PIN				1
4	40024117	FEED REGULATOR				1
5	40101955	FEED_REGULATOR_BUSHING				1
6	40101956	FEED_REGULATOR_SHAFT				1
7	40038991	FEED REVERSE SHAFT				1
8	40038958	FEED REVERSE BUSHING				1
9	SM8061050TP	SCREW				1
10	SM8061010TP	SCREW				1
11	22912703	FEED LEVER				1
12	SS6121860SP	SCREW 3/16-28 L=18				1
13	40021571	FEED DIAL				1
14	22912000	FEED REGULATOR PIN				1
15	22912109	FEED REGULATOR PIN SPRING				1
16	22911804	FEED REGULATOR SCREW				1
17	22912505	FEED REVERSE ARM SCREW				1
18	40101947	LEVER_RETURN_SPRING				1
19	22966758	LEVER ARM ASM.				1
20	40026194	HINGE PIN				1
21	40024308	FEED ROCK SHAFT CRANK				1
22	SS6121210SP	SCREW 3/16-28 L=12				1
23	22940803	FEED BAR SHAFT				1
24	40101951	FEED_BASE_ASM				1
25	RC0150001KP	C-RING 15(13.8)				1
26	40099579	FEED ROCKER ARM ASM.				1
27	SS6121210SP	SCREW 3/16-28 L=12		*		1
28	RO118240100	O-RING				1
29	RO092270200	RUBBER RING				1
30	22912901	FEED ROCKER SHAFT				1
31	NS6680410SP	NUT 9/32-28				1
32	40099579	FEED ROCKER ARM ASM.				1
33	SS6121210SP	SCREW 3/16-28 L=12		*		1
34	22915003	CONNECTING ROD				1
35	SD1000801SH	HINGE SCREW D=10 H=8				1
36	22915201	FEED DRIVING SHAFT				1
37	22904155	MAIN SHAFT THRUST COLLAR ASM.				1
38	SS8660610TP	SCREW 1/4-40 L=6		*		2
39	22913008	FEED ROCKER SHAFT BUSHING				1
40	SS4080620TP	SCREW 1/8-44 L=6				2
41	SS7110740TP	SCREW 11/64-40 L=7				1
42	RC0150001KP	C-RING 15(13.8)				1
43	22940654	FEED ROCKER ASM.				1
44	SS7121410TP	SCREW 3/16-28 L=14		*		1
45	WP0480856SP	WASHER 4.8X8.4X0.8		*		1
46	22915359	DRIVING SHAFT CRANK ASM.				1
47	SS7111120TP	SCREW		*		1

FEED MECHANISM COMPONENTS

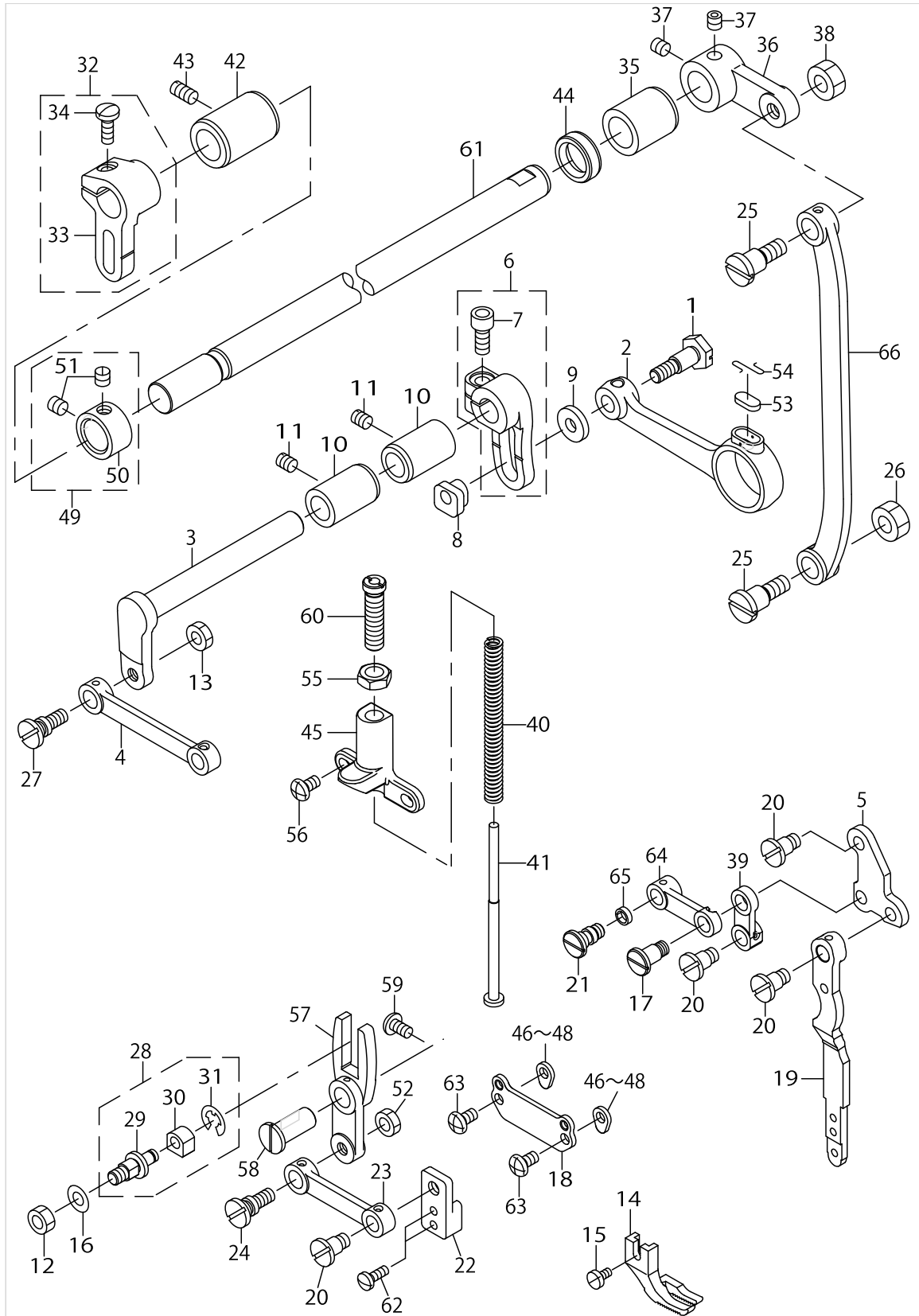


FEED MECHANISM COMPONENTS

No.	Parts No.	Parts name	Remarks	Level	Cons	Qty
48	22913008	FEED ROCKER SHAFT BUSHING				1
49	22904155	MAIN SHAFT THRUST COLLAR ASM.				1
50	SS8660610TP	SCREW 1/4-40 L=6		*		2
51	RO078190100	RUBBER RING				1
52	SS7120910TP	SCREW 3/16-28 L=9				1
53	40026520	FEED ROCKER SHAFT CRANK PIN				1
54	22972806	FEED ECCENTRIC CAM SETSCREW				1
55	SS6110710TP	SCREW 11/64-40 L=6.5				1
56	22972806	FEED ECCENTRIC CAM SETSCREW				1
57	SS7620750SP	SCREW 3/16-32 L=6.5				1
58	40101949	FEED_DOG				1
59	40101948	FEED_SPRING_HOOK				1



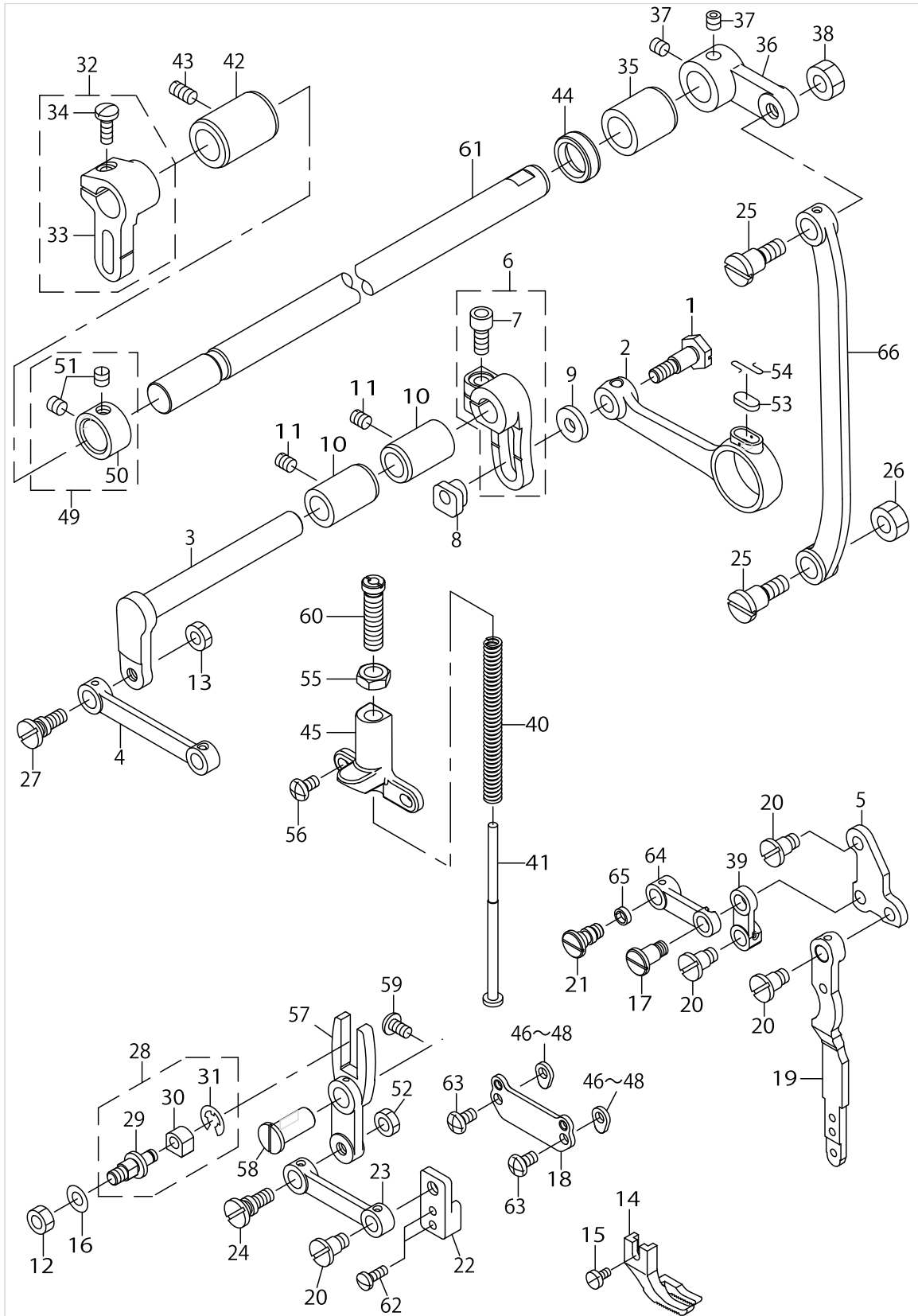
# UPPER FEED MECHANISM COMPONENTS



UPPER FEED MECHANISM COMPONENTS

No.	Parts No.	Parts name	Remarks	Level	Cons	Qty
1	40021579	HINGE SCREW				1
2	40021576	CRANK CONNECTING ROD				1
3	40022003	UPPER FEED DRIVING SHAFT				1
4	40101953	CONNECTING_LINK				1
5	40101954	L-SHAPED_LINK				1
6	40102601	UPPER_FEED_SPRING_ROD_ASM.				1
7	SS6151412TP	SCREW 15/64-28 L=14		*		1
8	B3009141H0A	NUT				1
9	B3010141H00	WASHER				1
10	40021625	BUSHING				2
11	SS8150710TP	SCREW 15/64-28 L=7				2
12	NS6160520SP	NUT 1/4-24				1
13	NS6150310SP	NUT 15/64-28				1
14	40022772	PRESSURE FOOT				1
15	SS7090610SP	SCREW 9/64-40 L=6				1
16	WP0650876SD	WASHER 6.5X13X0.8				1
17	40139223	HINGE_SCREW_C				1
18	40021581	WALKING BAR DRIVING LINK				1
19	40101952	L-SHAPED_ROD				1
20	40139221	HINGE_SCREW_B				4
21	40139225	HINGE_SCREW_D				1
22	40021582	CONNECTING LINK HOLDER				1
23	40021577	CONNECTING LINK				1
24	40139219	HINGE_SCREW_A				1
25	SD1020961SP	HINGE SCREW D=10.2 H=9.6				2
26	NS6680320SP	NUT 9/32-28				1
27	40139219	HINGE_SCREW_A				1
28	40021787	SLIDE BLOCK ASM.				1
29	40021788	SLIDE BLOCK PIN		*		1
30	22913602	NEEDLE BAR SLIDE BLOCK		*		1
31	RE0400000K0	E-RING 4		*		1
32	40021783	CONNECTING ARM ASM				1
33	40021583	CONNECTING ARM		*		1
34	SS7121410TP	SCREW 3/16-28 L=14		*		1
35	40021938	BUSHING REAR				1
36	40031287	DRIVING SHAFT ROD				1
37	SS8660612TP	SCREW 1/4-40 L=6				2
38	NS6680410SP	NUT 9/32-28				1
39	40021595	L-SHAPED LINK(B)				1
40	40101972	SPRING				1
41	40110729	SPRING_POLE				1
42	40021585	BUSHING FRONT				1
43	SS8151150TP	SCREW 15/64-28 L=10.5				1
44	40139216	OIL_SEAL				1
45	40101974	SPRING_BAR				1
46	40029415	WASHER C	SELECTIVE PARTS			2
47	40029413	WASHER A	SELECTIVE PARTS			2

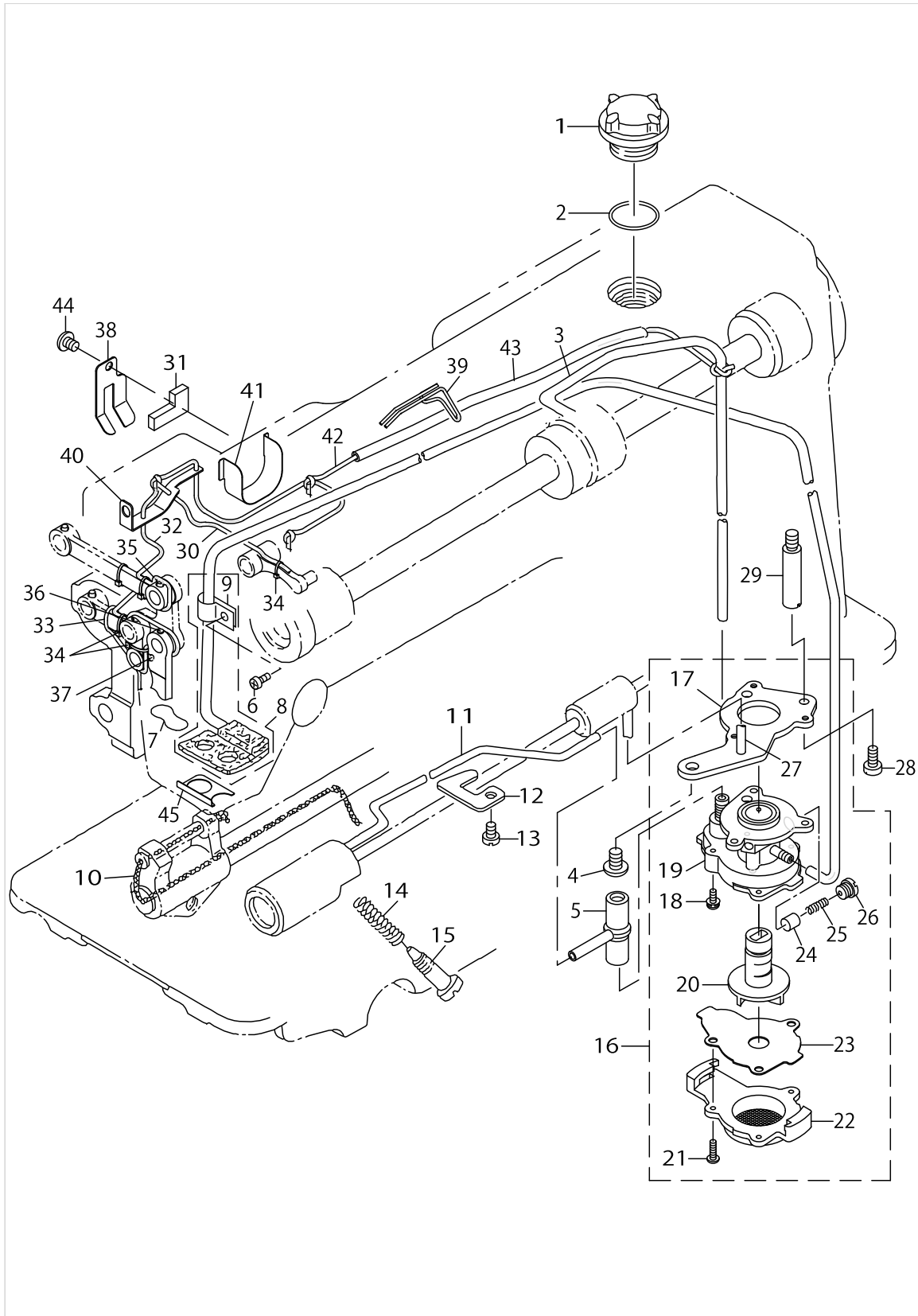
UPPER FEED MECHANISM COMPONENTS



UPPER FEED MECHANISM COMPONENTS

No.	Parts No.	Parts name	Remarks	Level	Cons	Qty
48	40029414	WASHER B	SELECTIVE PARTS			2
49	22904155	MAIN SHAFT THRUST COLLAR ASM.				1
50	22904106	MAIN SHAFT THRUST COLLAR		*		1
51	SS8660610TP	SCREW 1/4-40 L=6		*		2
52	NS6150310SP	NUT 15/64-28				1
53	40025574	FELT				1
54	B1213012000	FELT RETAINER				1
55	40102008	NUT				1
56	SS4120915SP	SCREW 3/16-28 L=9				2
57	40021627	SLIDE FORK				1
58	40021630	HINGE PIN				1
59	SS4120915SP	SCREW 3/16-28 L=9				1
60	40101973	ADJUSTING_THUMB_SCREW				1
61	40021584	UPPER FEED DRIVING SHAFT				1
62	SS7091110SP	SCREW 9/64-40 L=10.5				2
63	SS4120915SP	SCREW 3/16-28 L=9				2
64	40021594	L-SHAPED LINK(A)				1
65	40027810	FELT				0.02
66	40021587	DRIVING ROD				1

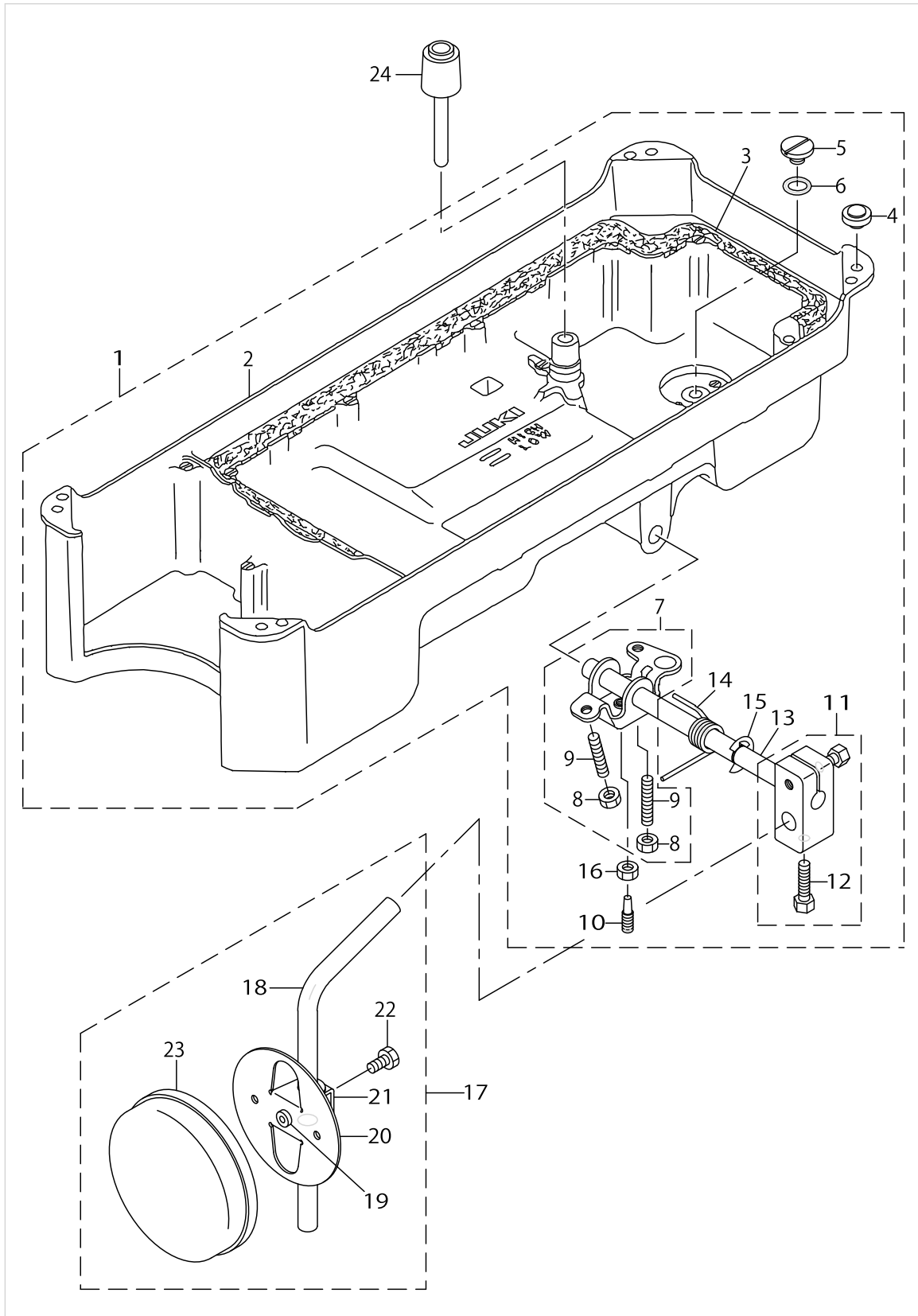
OIL LUBRICATION COMPONENTS



OIL LUBRICATION COMPONENTS

No.	Parts No.	Parts name	Remarks	Level	Cons	Qty
1	22924708	OIL SIGHT WINDOW				1
2	RO195240100	RUBBER RING				1
3	22924401	MAIN SHAFT OIL TUBE				1
4	SS4150915SP	SCREW 15/64-28 L=9				1
5	22924609	RUBBER JOINT				1
6	SS4120615SP	SCREW 3/16-28 L=6				1
7	22925101	OIL FELT PRESSER				1
8	22924153	RETURN PIPE ASM.				1
9	22924302	RETURN PIPE HOLDER		*		1
10	CQ252000000	OIL WICK				0.3
11	22924500	HOOK OIL TUBE				1
12	22924807	PIPE HOLDER LOWER				1
13	SS4150915SP	SCREW 15/64-28 L=9				1
14	22924906	OIL REGULATOR SCREW SPRING				1
15	22925002	OIL REGULATOR SCREW				1
16	11404555	LUBRICATING OIL PUMP ASM.				1
17	22923312	PUMP BODY INSTALLING PLATE		*		1
18	SL4030851SF	SCREW M3 L=8		*		3
19	22923015	PUMP BODY		*		1
20	22923700	IMPELLER		*		1
21	SE4301041SR	SCREW D=3 L=10		*		3
22	22923205	PUMP BODY COVER		*		1
23	22923809	PUMP BODY SUPPORT PLATE		*		1
24	22923403	PLUNGER		*		1
25	22923601	PLUNGER SPRING		*		1
26	22923502	PLUNGER SCREW		*		1
27	11404605	HOOK DRIVING SHAFT OIL TUBE		*		1
28	SS6111010TP	SCREW 11/64-40 L=9.5				1
29	22924005	PUMP BODY STRUT				1
30	CQ202000000	OIL WICK				0.1
31	40102156	FELT				1
32	CQ202000000	OIL WICK				0.75
33	CQ202000000	OIL WICK				0.1
34	EA9500B0000	CLIP CV-70S				5
35	CQ3000000F0	OIL FELT				0.04
36	CQ3000000F0	OIL FELT				0.04
37	CQ3000000F0	OIL FELT				0.04
38	40025328	OIL SHIELD (C)				1
39	40027938	HOLDER				1
40	40030403	OIL WICK SUPPORT				1
41	40030402	OIL SHIELD (D)				1
42	CQ252000000	OIL WICK				0.39
43	23630007	TUBE				0.19
44	SS4120615SP	SCREW 3/16-28 L=6				1
45	40021999	FACE PLATE OIL SHIELD (B)				1

OIL RESERVOIR COMPONENTS

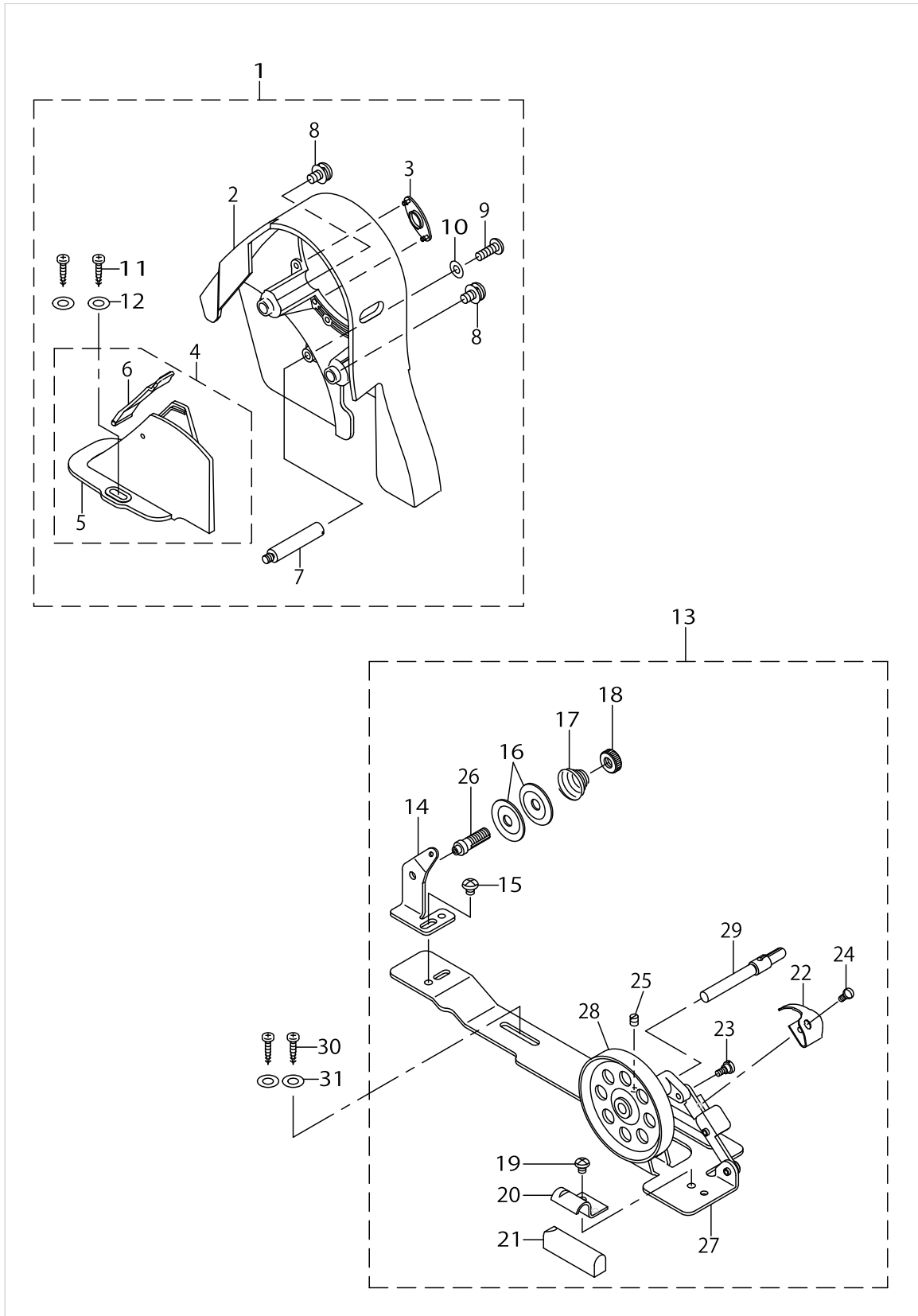


OIL RESERVOIR COMPONENTS

No.	Parts No.	Parts name	Remarks	Level	Cons	Qty
1	40029416	OIL RESERVOIR ASM.				1
2	40105821	OIL RESERVOIR		*		1
3	22931901	OIL RESERVOIR GASKET		*		1
4	22932008	RUBBER CUSHION		*		4
5	SS6700710SH	SCREW 5/16-24 L=7		*		1
6	RO098240100	RUBBER RING		*		1
7	22932156	KNEE LIFTER ROTATION ARM ASM.		*		1
8	NM6060001SE	NUT M6		*		2
9	SM8063012TR	SCREW M6 L=30		*		2
10	40101720	SCREW_M6		*		1
11	22932453	BRACKET ASM.		*		1
12	22934707	SCREW		*		2
13	40101541	KNEE_PRESS_CROSS_SHAFT		*		1
14	22932206	SPRING		*		1
15	RE1000000K0	E-RING 10		*		1
16	NM6060001SE	NUT M6		*		1
17	22934251	KNEE PAD PLATE ASM.				1
18	22934608	KNEE PAD UPRIGHT SHAFT		*		1
19	22934400	KNEE PAD PLATE RUBBER		*		1
20	22934202	KNEE PAD PLATE		*		1
21	22934301	KNEE PAD PLATE SUPPORT		*		1
22	SM9061203SE	SCREW M6 L=12		*		1
23	22934509	KNEE PAD PLATE COVER		*		1
24	22931703	KNEE LIFTER PUSH ROD				1



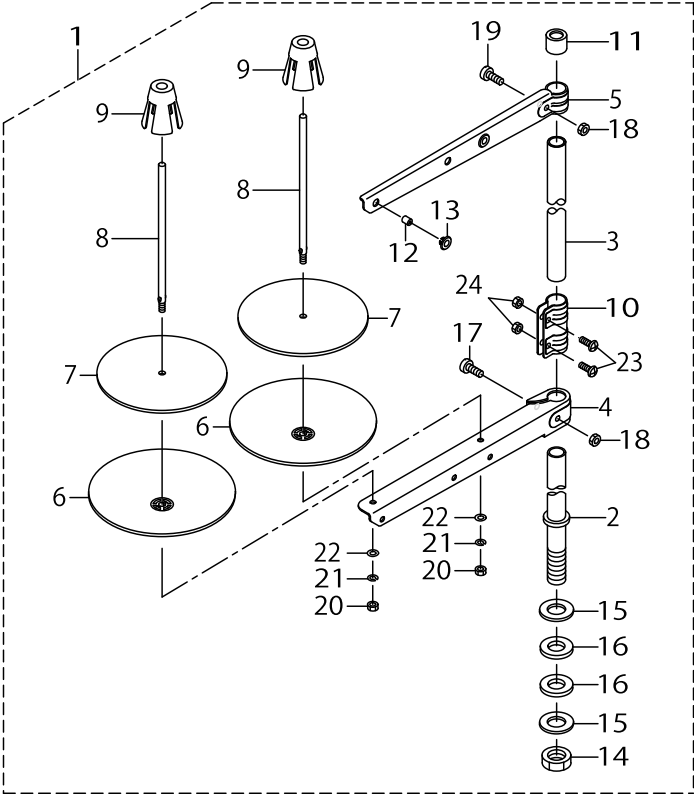
BELT COVER & BOBBIN COMPONENTS



BELT COVER & BOBBIN COMPONENTS

No.	Parts No.	Parts name	Remarks	Level	Cons	Qty
1	22933451	BELT COVER ASM.				1
2	22933402	BELT COVER A		*		1
3	22933501	BELT COVER A CAP		*		1
4	22933659	BELT COVER B COMPL.		*		1
5	22933600	BELT COVER B		*		1
6	22933758	BELT COVER B LID ASM.		*		1
7	22933907	BELT COVER STRUT		*		1
8	22934004	SET SCREW		*		2
9	SS4121415SP	SCREW 3/16-28 L=14		*		1
10	WP0501016SD	WASHER 5X10.5X1		*		1
11	SK3412000SC	WOOD SCREW D=4.1 L=20		*		2
12	WP0450826SC	WASHER 4.5X10X0.8		*		2
13	11415866	BOBBIN WINDER COMPL.				1
14	22928501	THREAD TENSION POST BASE		*		1
15	SS4110515SP	SCREW 11/64-40 L=5		*		1
16	22928907	THREAD TENSION DISK		*		2
17	22929004	THREAD TENSION SPRING		*		1
18	22928808	NUT		*		1
19	SS4110515SP	SCREW 11/64-40 L=5		*		1
20	22928402	CONTROL RUBBER HOLDING PLATE		*		1
21	22928303	CONTROL RUBBER		*		1
22	11415908	POSITIONING FINGER		*		1
23	SD0490261SP	HINGE SCREW D=4.9 H=2.6		*		1
24	SS7081310SP	SCREW 1/8-44 L=12.5		*		1
25	SS8110510SP	SCREW 11/64-40 L=5		*		1
26	22928709	THREAD TENSION POST		*		1
27	22927305	BOBBIN WINDER BASE		*		1
28	22927404	BOBBIN WINDER		*		1
29	22927602	BOBBIN WINDER SPINDLE		*		1
30	SK3412000SC	WOOD SCREW D=4.1 L=20				2
31	WP0450826SC	WASHER 4.5X10X0.8				2

THREAD STAND COMPONENTS



THREAD STAND COMPONENTS

No.	Parts No.	Parts name	Remarks	Level	Cons	Qty
1	40096354	THREAD STAND ASM.				1
2	40085784	SPOOL REST ROD LOWER		*		1
3	40085785	SPOOL REST ROD UPPER		*		1
4	40085786	SPOOL REST ARM LOWER		*		1
5	40085787	SPOOL REST ARM UPPER		*		1
6	40085788	SPOOL REST		*		2
7	40085789	SPOOL REST CUSHION		*		2
8	40085790	SPOOL PIN		*		2
9	40085791	SPOOL RETAINER		*		2
10	40085792	SPOOL REST ROD JOINT		*		1
11	40085793	SPOOL REST ROD RUBBER CAP		*		1
12	40085794	THREAD GUIDE		*		2
13	40085795	THREAD GUIDE BUSHING		*		2
14	40096325	SPOOL REST ROD NUT		*		1
15	WP1612616SE	WASHER 16X30X2.6		*		2
16	40085796	SPOOL REST ROD RUBBER CUSHION		*		2
17	40096326	SPOOL REST ARM LOWER SCREW		*		1
18	NM6050001SE	NUT M5		*		2
19	40096327	SPOOL REST ARM UPPER SCREW		*		1
20	NM6050001SE	NUT M5		*		2
21	WS0510002KN	SPRING WASHER M5		*		2
22	WP0531001SC	WASHER M5		*		2
23	SM4051405SE	SCREW M5 L=14		*		2
24	NM6050001SE	NUT M5		*		2

## HOW TO MAKE USE OF THIS PARTS LIST

1.As to "#01" and "#02" refer to the "Note" given at the bottom of the respective pages.

2.Codes on the "Qty" column

- Each numeral indicates the number of parts required.
- "0.1" and "2.5" indicate the length (in meters) of the respective parts.

3.Parentheses mean that the corresponding part is a subpart that constructs an assembly part.

4.Dotted lines on the Figures indicate assembly parts.

1. リストページの# 0 1、# 0 2の印は、ページ下の"注記"の説明を参照下さい。
2. 数量欄の数字は、個数を表し、0. 1、2. 5等の数値は、長さ（単位メートル）を表します。
3. 数量欄の（ ）は、組部品を構成している子部品であることを意味します。
4. イラストページの-----枠は、組構成であることを意味します。

# NUMERICAL INDEX OF PARTS

PART NO	PAGE	REF NO.	PART NO	PAGE	REF NO.	PART NO	PAGE	REF NO.
11001500	2	22	22912901	12	30	22928402	24	20
11002508	6	21	22913008	12	48	22928501	24	14
11403300	8	31	22913008	14	48	22928709	24	26
11404555	20	16	22913602	16	30	22928808	24	18
11404605	20	27	22915003	12	34	22928907	24	16
11404704	8	4	22915201	12	36	22929004	24	17
11415205	2	18	22915359	12	46	22931703	22	24
11415866	24	13	22916308	8	27	22931901	22	3
11415908	24	22	22916506	8	5	22932008	22	4
22901003	2	45	22917058	8	33	22932156	22	7
22901201	2	42	22917157	8	29	22932206	22	14
22901250	2	41	22920102	10	23	22932453	22	11
22901300	2	43	22920300	10	21	22933402	24	2
22901409	8	1	22920409	10	19	22933451	24	1
22901805	4	52	22920607	2	37	22933501	24	3
22902506	2	2	22920904	2	34	22933600	24	5
22902605	4	53	22921209	2	29	22933659	24	4
22903009	6	31	22921308	2	24	22933758	24	6
22903207	6	7	22921407	2	25	22933907	24	7
22903306	6	27	22921506	2	28	22934004	24	8
22903900	6	32	22921605	2	30	22934202	22	20
22904106	6	25	22921803	2	27	22934251	22	17
22904106	18	50	22923015	20	19	22934301	22	21
22904155	6	23	22923205	20	22	22934400	22	19
22904155	12	49	22923312	20	17	22934509	22	23
22904155	14	49	22923403	20	24	22934608	22	18
22904155	18	49	22923502	20	26	22934707	22	12
22905103	8	25	22923601	20	25	22940654	12	43
22905202	8	26	22923700	20	20	22940803	12	23
22906101	8	2	22923809	20	23	22945307	2	31
22907604	10	25	22924005	20	29	22958300	2	15
22907703	10	26	22924153	20	8	22966758	12	19
22907802	10	1	22924302	20	9	22972806	14	56
22908305	10	34	22924401	20	3	23626104	2	21
22908503	10	5	22924500	20	11	23630007	20	43
22908602	10	6	22924609	20	5	40014007	10	16
22908701	10	7	22924708	20	1	40017805	10	37
22908800	10	14	22924807	20	12	40021567	2	9
22908909	10	12	22924906	20	14	40021570	10	4
22909006	10	15	22925002	20	15	40021571	12	13
22911804	12	16	22925101	20	7	40021574	6	5
22912000	12	14	22927305	24	27	40021575	6	12
22912109	12	15	22927404	24	28	40021576	16	2
22912505	12	17	22927602	24	29	40021577	16	23
22912703	12	11	22928303	24	21	40021579	16	1

# NUMERICAL INDEX OF PARTS

PART NO	PAGE	REF NO.	PART NO	PAGE	REF NO.	PART NO	PAGE	REF NO.
40021581	16	18	40025328	20	38	40090058	8	6
40021582	16	22	40025574	18	53	40096325	26	14
40021583	16	33	40026194	12	20	40096326	26	17
40021584	18	61	40026195	12	2	40096327	26	19
40021585	16	42	40026454	6	29	40096354	26	1
40021587	18	66	40026457	6	8	40098684	8	41·42
40021592	2	13	40026520	14	53	40098685	8	37·38
40021593	2	14	40027810	18	65	40098959	8	41·42
40021594	18	64	40027938	20	39	40099579	12	32
40021595	16	39	40029413	16	46~48	40101541	22	13
40021604	8	8	40029414	18	46~48	40101720	22	10
40021610	8	39·40	40029415	16	46~48	40101947	12	18
40021612	8	24	40029416	22	1	40101948	14	59
40021613	8	36	40030402	20	41	40101949	14	58
40021615	2	35	40030403	20	40	40101951	12	24
40021625	16	10	40031287	16	36	40101952	16	19
40021627	18	57	40038958	12	8	40101953	16	4
40021630	18	58	40038991	12	7	40101954	16	5
40021635	6	18	40048594	6	20	40101955	12	5
40021770	6	13	40064558	10	29	40101956	12	6
40021773	6	4	40064560	10	22	40101957	10	41
40021774	6	10	40064561	10	30	40101958	10	40
40021775	6	2	40085722	2	23	40101961	10	38
40021783	16	32	40085784	26	2	40101970	10	27
40021787	16	28	40085785	26	3	40101971	10	24
40021788	16	29	40085786	26	4	40101972	16	40
40021790	2	4	40085787	26	5	40101973	18	60
40021791	10	20	40085788	26	6	40101974	16	45
40021907	2	12	40085789	26	7	40101997	6	36
40021938	16	35	40085790	26	8	40102008	18	55
40021999	20	45	40085791	26	9	40102156	20	31
40022003	16	3	40085792	26	10	40102601	16	6
40022646	2	1	40085793	26	11	40102602	6	33
40022647	2	8	40085794	26	12	40102978	10	28
40022772	16	14	40085795	26	13	40105821	22	2
40023030	8	3	40085796	26	16	40109071	10	35
40023223	8	7	40085903	2	26	40109160	10	36
40023246	10	32	40090002	8	12	40110729	16	41
40023295	2	17	40090003	8	15	40139216	16	44
40024117	12	4	40090004	8	18	40139219	16	27
40024118	6	19	40090005	8	21	40139221	16	20
40024119	12	3	40090006	8	13	40139223	16	17
40024124	8	10	40090007	8	16	40139225	16	21
40024130	12	1	40090008	8	19	40141234	8	32
40024308	12	21	40090009	8	22	B1213012000	18	54

NUMERICAL INDEX OF PARTS

PART NO	PAGE	REF NO.	PART NO	PAGE	REF NO.	PART NO	PAGE	REF NO.
B1215552000	6	26	SM6040802TP	10	43	SS8090670SP	2	32
B1226490000	6	28	SM8061010TP	12	10	SS8110410TP	8	34
B1521555000	10	2	SM8061050TP	12	9	SS8110510SP	24	25
B1830141HA0	8	37-38	SM8063012TR	22	9	SS8150710TP	2	33
B3009141H0A	16	8	SM9061203SE	22	22	SS8150710TP	16	11
B3010141H00	16	9	SS2110915SP	4	54	SS8151150TP	6	1
B9117201000	8	39-40	SS2110920TP	2	36	SS8151150TP	16	43
CM300200001	4	48	SS4080620TP	12	40	SS8151550SP	6	30
CM301200001	4	51	SS4110515SP	24	19	SS8660410SP	6	15
CQ202000000	20	33	SS4110915TP	8	35	SS8660610TP	6	34
CQ252000000	20	42	SS4112215SP	4	55	SS8660610TP	10	10
CQ3000000F0	20	37	SS4120615SP	2	20	SS8660610TP	12	50
EA9500B0000	20	34	SS4120615SP	20	44	SS8660610TP	14	50
MDP170B2100	8	11	SS4120915SP	2	7	SS8660610TP	18	51
NM6050001SE	26	24	SS4120915SP	8	28	SS8660612TP	16	37
NM6060001SE	22	16	SS4120915SP	18	63	SS8660810TP	6	6
NS6110310SP	10	39	SS4121015SP	2	47	SS8660810TP	8	23
NS6150310SP	16	52	SS4121415SP	24	9	SS8661030SP	6	35
NS6150310SP	18	52	SS4150915SP	20	13	SS8681650TP	6	14
NS6160520SP	16	12	SS4701415SD	4	49	TA0850604R0	2	5
NS6680320SP	16	26	SS6060210SP	2	44	TA0950806R0	4	56
NS6680410SP	12	31	SS6080320SP	2	3	TA1250406R0	2	39
NS6680410SP	16	38	SS6090910SP	10	11	TA1250705R0	2	6
RC0150001KP	12	42	SS6110420TP	8	30	TA2050406R0	2	46
RC1850001KP	6	22	SS6110610TP	2	38	TA2101002R0	2	11
RE0400000K0	16	31	SS6110710TP	14	55	TA2351004R0	2	16
RE0500000K0	10	33	SS6111010TP	20	28	WP0450826SC	24	31
RE1000000K0	22	15	SS6121210SP	12	33	WP0480856SP	12	45
RO029180100	6	3	SS6121860SP	12	12	WP0501016SD	24	10
RO037180100	10	3	SS6151412TP	16	7	WP0531001SC	26	22
RO044240100	6	16	SS6700710SH	22	5	WP0650876SD	10	18
RO078190100	14	51	SS7080510TP	8	9	WP0650876SD	16	16
RO092270200	12	29	SS7081310SP	24	24	WP1612616SE	26	15
RO098240100	22	6	SS7090610SP	16	15	WS0510002KN	26	21
RO118240100	12	28	SS7091110SP	18	62			
RO195240100	20	2	SS7091110TP	10	8			
SD0490261SP	24	23	SS7091410SP	10	42			
SD0720331SP	10	13	SS7110720SP	4	50			
SD1000801SH	12	35	SS7110740TP	12	41			
SD1020961SP	16	25	SS7111120TP	12	47			
SE4301041SR	20	21	SS7120910TP	14	52			
SK3412000SC	24	30	SS7121410TP	12	44			
SL4030851SF	20	18	SS7121410TP	16	34			
SM4051055SP	6	9	SS7620750SP	14	57			
SM4051405SE	26	23	SS7681650TP	6	17			