

MODEL : MF-7700D (For China)

List No : 1511-02

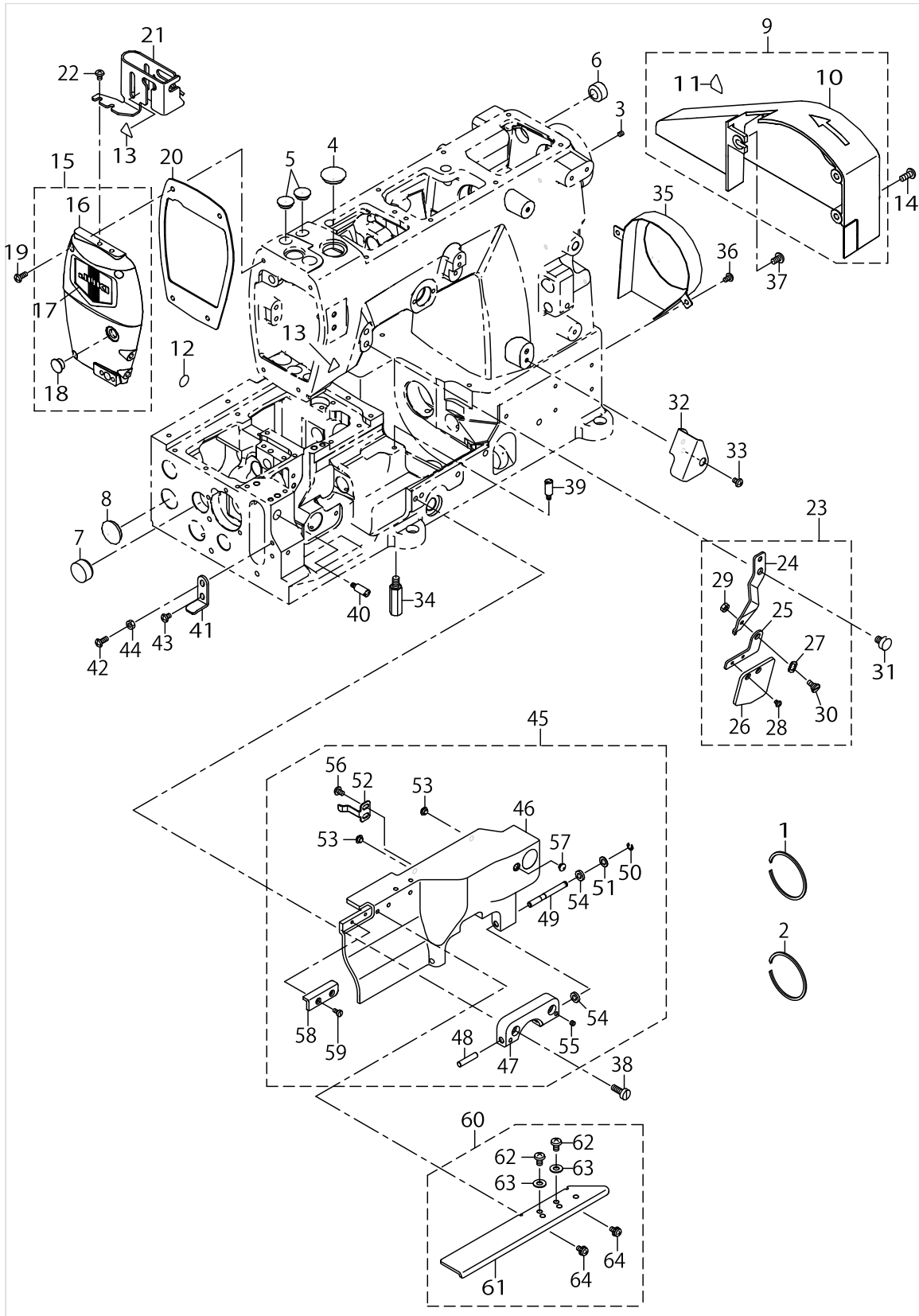
PARTS LIST

Published:09/10/2017

CONTENTS

FRAME & MISCELLANEOUS COVER COMPONENTS (1)	1
FRAME & MISCELLANEOUS COVER COMPONENTS (2)	5
MAIN SHAFT COMPONENTS	9
NEEDLE BAR & PRESSER COMPONENTS.....	13
FEED DRIVE COMPONENTS (1)	17
FEED DRIVE COMPONENTS (2)	21
THREAD TAKE-UP LEVER COMPONENTS.....	25
SPREADER COMPONENTS.....	29
LOWER THREAD CAM COMPONENTS.....	31
NEEDLE GUARD COMPONENTS.....	35
LOOPER COMPONENTS	37
THREAD TENSION COMPONENTS	39
LUBRICATION COMPONENTS	41
THREAD STAND COMPONENTS.....	45
GAUGE PARTS COMPONENTS (1) (FOR MF-7700D-U10).....	47
GAUGE PARTS COMPONENTS (2) (FOR MF-7700-C10).....	51
NEEDLE COOLING MECHANISM COMPONENTS.....	55
ACCESSORIES PARTS COMPONENTS	57
HOW TO MAKE USE OF THIS PARTS LIST	59

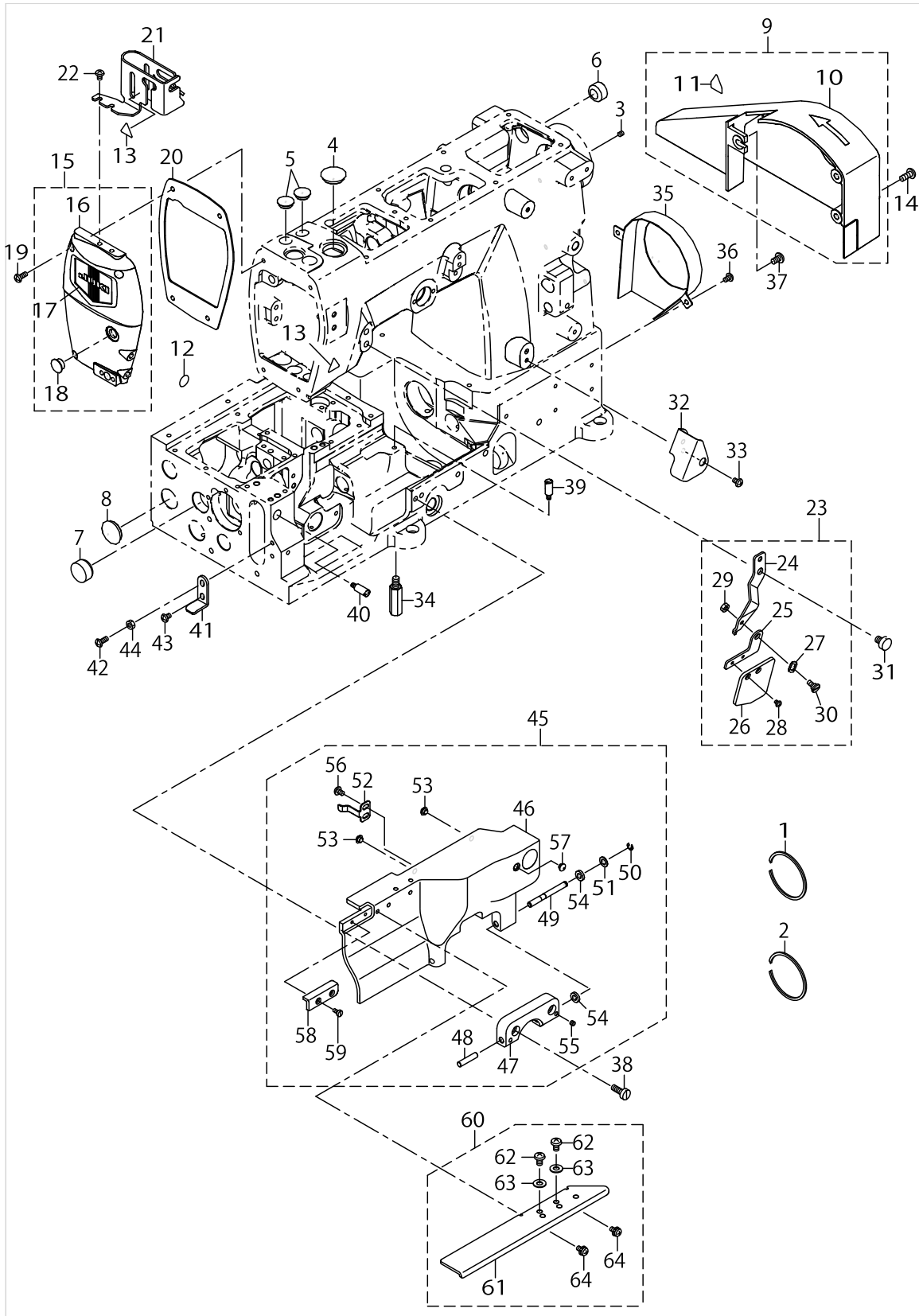
FRAME & MISCELLANEOUS COVER COMPONENTS (1)



FRAME & MISCELLANEOUS COVER COMPONENTS (1)

No.	Parts No.	Parts name	Remarks	Level	Cons	Qty
1	RC4881514KP	C-RING				1
2	RC4381514KP	C-RING				1
3	SM8040412TP	SET SCREW M4 L=4				3
4	TA2050406R0	RUBBER PLUG				1
5	TA1250406R0	RUBBER PLUG D=12.5 L=4				2
6	TA1701002R0	RUBBER PLUG				1
7	TA2101002R0	RUBBER PLUG				1
8	TA2050416R0	RUBBER PLUG				1
9	13302658	DRIVING_BELT_COVER_ASSY				1
10	13302609	DRIVIN BELT COVER		*		1
11	CM3002000A1	CAUTION LABEL(16)		*		1
12	22901805	GROUND MARK				1
13	CM300200001	FINGER INJURY CAUTION LABLE (16)				2
14	SM4051255SP	SCREW.,M5 L=12.				2
15	13300959	ASSY_HEAD_COVER				1
16	13300900	HEAD COVER		*		1
17	22902506	PLATE		*		1
18	TA1050504R0	RUBBER PLUG		*		1
19	SM4041055SP	SCREW				4
20	13301007	GASKET H				1
21	13301304	NEEDLE BAR GUARD				1
22	SM4040655SP	SCREW M4 L=6				2
23	40033518	PROTECTION_SHIELD_ASSY				1
24	40033340	BRACKET HOLDER		*		1
25	40033341	BRACKET		*		1
26	13301700	PROTECTION SHIELD		*		1
27	WZ0641510KP	WAVED WASHER 6.4X11X0.3		*		1
28	SM4030455SN	SCREW		*		2
29	NM6040001SP	NUT M4X0.7		*		1
30	SD0640246SP	HINGE SCREW D=6.35 H=2.4		*		1
31	SM6060800SP	SCREW M6 L=8				1
32	13301403	THREAD COVER				1
33	SM4040655SP	SCREW M4 L=6				1
34	13301809	SUPPORT STUD				4
35	13302401	LMS_FAN_COVER				1
36	SM4040655SP	SCREW M4 L=6				2
37	SM4050855SP	SCREW				1
38	SM6051400SP	SCREW				2
39	13302104	PIN				1
40	13302104	PIN				1
41	13304209	SUPPORT BRACKET				1
42	SM4041055SP	SCREW				1
43	SM4040655SP	SCREW M4 L=6				1
44	NM6040001SP	NUT M4X0.7				1
45	40099538	SWING_DOWN_COVER_ASSY				1
46	40099363	SWING_DOWN_COVER		*		1
47	40099369	HINGE		*		1

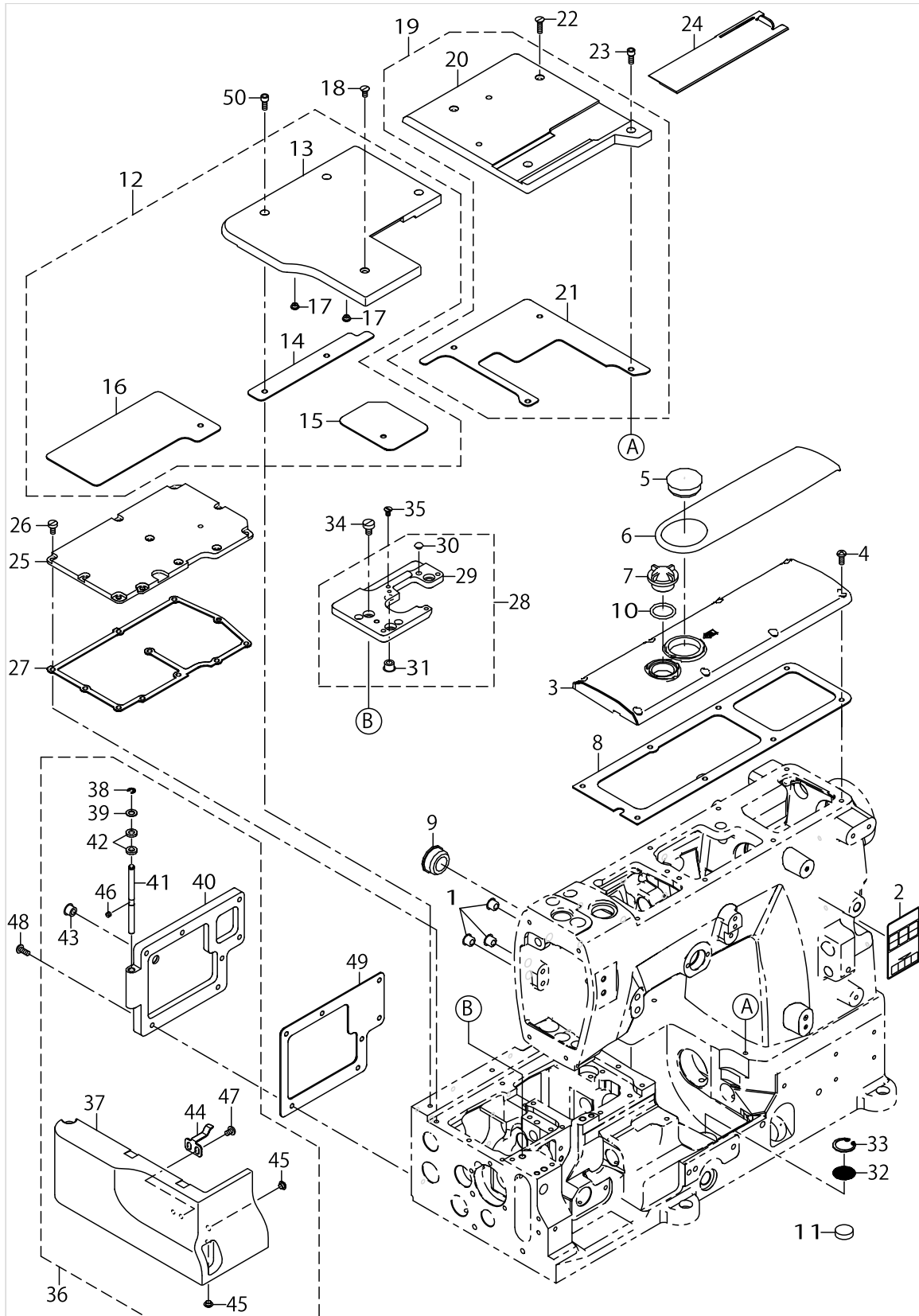
FRAME & MISCELLANEOUS COVER COMPONENTS (1)



FRAME & MISCELLANEOUS COVER COMPONENTS (1)

No.	Parts No.	Parts name	Remarks	Level	Cons	Qty
48	13409800	DIFF_LINK_PIN		*		1
49	13305206	PIN_FOR_S_D_COVER		*		1
50	RE0300000K0	E-RING 3		*		1
51	WP0550800SP	WASHER 5.5X10X0.8		*		1
52	13304308	LATCH SPRING		*		1
53	13302302	RUBBER BUMPER		*		2
54	13302708	RUBBER_WASHER		*		2
55	SM8040360TP	SCREW		*		2
56	SM4040655SP	SCREW M4 L=6		*		2
57	13302302	RUBBER BUMPER		*		1
58	40099371	BRACKET		*		1
59	SM6030600SP	SCREW M3X0.5 L=6		*		2
60	40099374	BINDER_BRACKET_ASSY				1
61	40099373	BINDER_BRACKET		*		1
62	SM5050855SN	SCREW M5 L=8		*		2
63	WP0550836SC	WASHER 5.5X12X0.8		*		2
64	SL4040805SC	SCREW		*		2

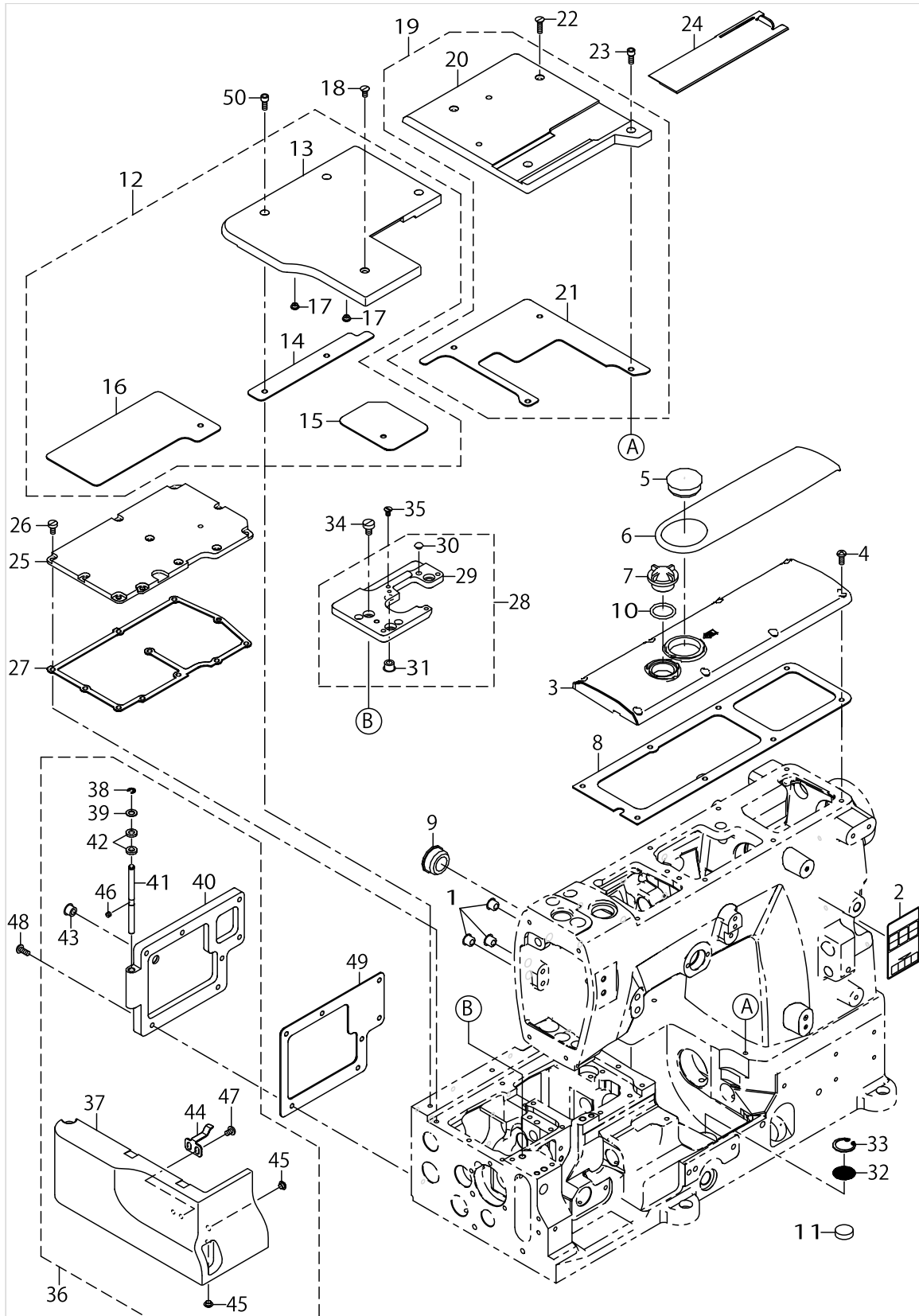
FRAME & MISCELLANEOUS COVER COMPONENTS (2)



FRAME & MISCELLANEOUS COVER COMPONENTS (2)

No.	Parts No.	Parts name	Remarks	Level	Cons	Qty
1	TA0850604R0	RUBBER PLUG				3
2	CM301200001	SAFETY LABEL_S				1
3	40081954	TOP_COVER_DRY				1
4	SM4041055SP	SCREW				8
5	10753309	WINDOW PLATE RUBBER PLUG				1
6	40081956	TOP_COVER_PANEL_PRINTING				1
7	22924708	OIL SIGHT WINDOW				1
8	13300801	GASKET T				1
9	TA2351004R0	RUBBER PLUG				1
10	RO195240100	RUBBER RING				1
11	40018946	FILTER				1
12	40099536	ASSY_CLOTH_PLATE_LEFT				1
13	40099365	CLOTH_PLATE_LEFT		*		1
14	13304803	GASKET_CPL		*		1
15	40099372	GASKET_TPS		*		1
16	13305008	GASKET_BTC		*		1
17	13302302	RUBBER BUMPER		*		2
18	SM1040800SP	SCREW				1
19	13303755	ASSY_CLOTH_PLATE_RIGHT				1
20	13303706	CLOTH PLATE RIGHT		*		1
21	13304704	GASKET_CPR		*		1
22	SM1041400SP	SCREW				2
23	SM6041002TP	SCREW M4X0.7 L=10				2
24	13303805	SLIDE COVER				1
25	13303102	BED TOP COVER				1
26	SM6040800SP	SCREW				11
27	13303201	GASKET B				1
28	40099537	ASSY_TP_SUPPORT				1
29	40099370	THROAT_PLATE_SUPPORT		*		1
30	13302302	RUBBER BUMPER		*		1
31	TA0850604R0	RUBBER PLUG		*		1
32	13426903	MESH PLATE				1
33	RC1900002KP					1
34	SM6050800SP	SCREW M5 L=8				3
35	13302203	SCREW				2
36	40099539	SIDE_COVER_ASSY				1
37	40099367	SIDE_COVER		*		1
38	RE0300000K0	E-RING 3		*		1
39	WP0550800SP	WASHER 5.5X10X0.8		*		1
40	13303904	FEED CHAMBER COVER		*		1
41	13305107	PIN_FOR_SIDE_COVER		*		1
42	13302708	RUBBER_WASHER		*		2
43	TA0850604R0	RUBBER PLUG		*		1
44	13304308	LATCH SPRING		*		1
45	13302302	RUBBER BUMPER		*		2
46	SM8040360TP	SCREW		*		1
47	SM4040655SP	SCREW M4 L=6		*		2

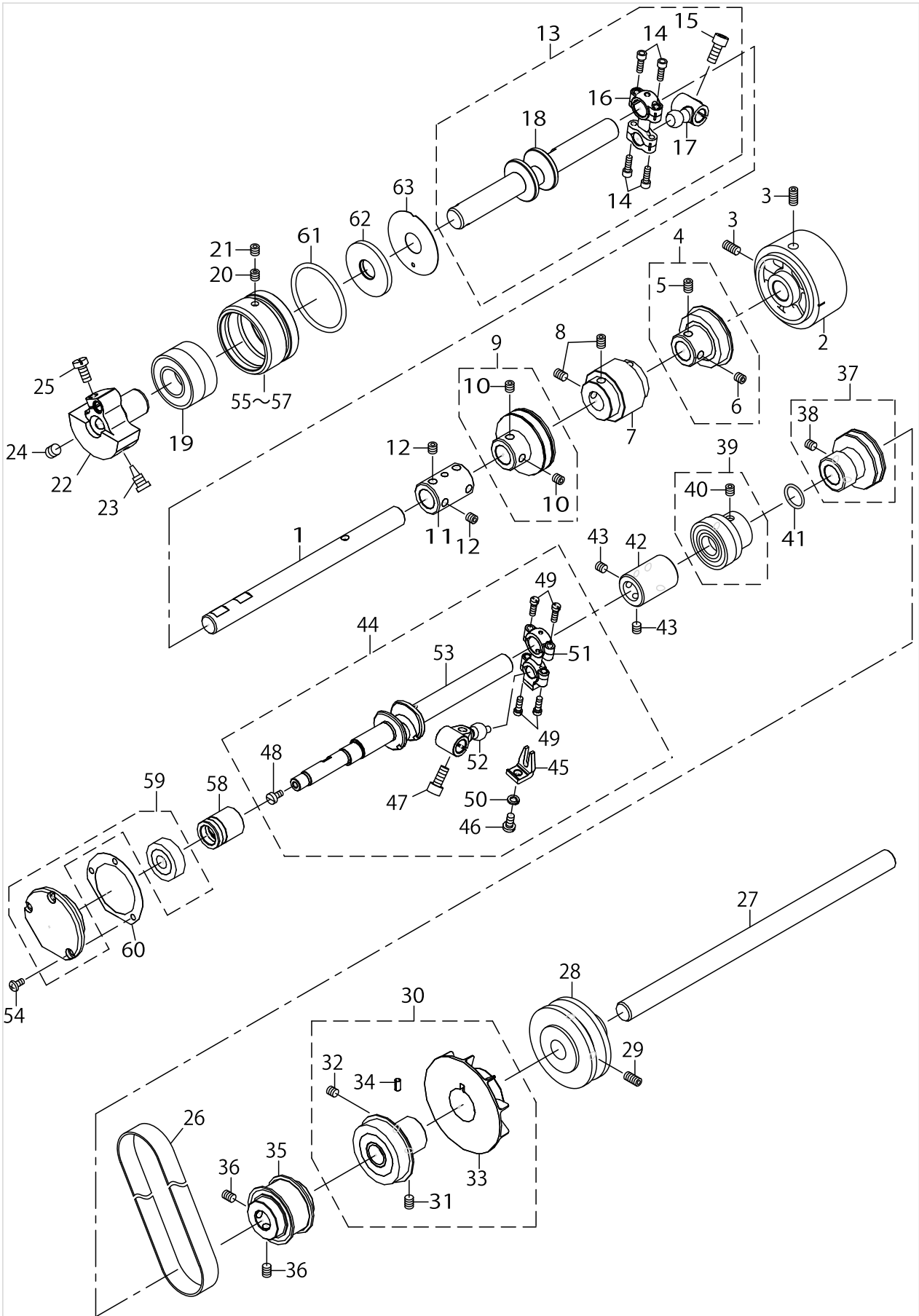
FRAME & MISCELLANEOUS COVER COMPONENTS (2)



FRAME & MISCELLANEOUS COVER COMPONENTS (2)

No.	Parts No.	Parts name	Remarks	Level	Cons	Qty
48	SM4041055SP	SCREW				7
49	13304001	GASKET F				1
50	SM6041002TP	SCREW M4X0.7 L=10				3

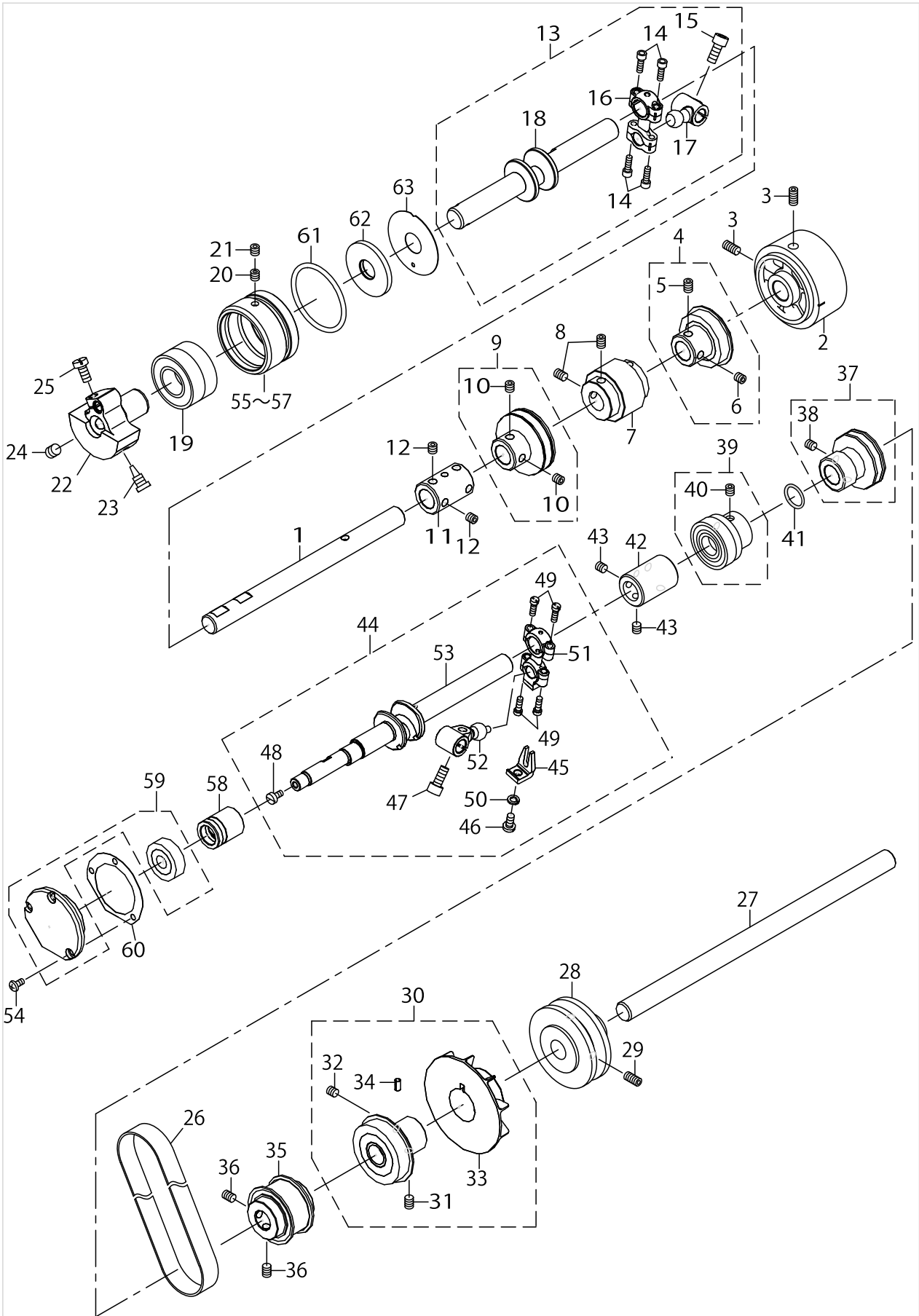
MAIN SHAFT COMPONENTS



MAIN SHAFT COMPONENTS

No.	Parts No.	Parts name	Remarks	Level	Cons	Qty
1	13307004	UPPER MAINSHAFT RIGHT				1
2	13307103	UPPER PULLEY				1
3	SM8061212TP	SCREW M6X12				2
4	13307251	BEARING ASSY A				1
5	SM8060842TP	SCREW M6 L=8		*		1
6	SM8060612TP	SCREW M6 L=6		*		1
7	13307301	UMS_SPROCKET				1
8	SM8060812TP	SCREW M6 L=8				4
9	13307459	BEARING ASSY B				1
10	SM8060612TP	SCREW M6 L=6		*		2
11	13307509	JOINT				1
12	SM8060612TP	SCREW M6 L=6				4
13	40078283	UMS_LEFT_ROD_ASSY				1
14	SM6041202TP	SCREW M4X0.7 L=12		*		4
15	SM6061402TP	SCREW M6 L=14		*		1
16	13324009	ROD		*		1
17	13324207	CRANK		*		1
18	40078284	UPPER_MAINSHAFT_LEFT		*		1
19	SB120001900	BEARING				2
20	SM8060842TP	SCREW M6 L=8				1
21	SM8060612TP	SCREW M6 L=6				1
22	40078277	COUNTER_WEIGHT				1
23	13309208	SCREW_FOR_COUNTERWEIGHT				1
24	SM8080812TP	SCREW M8X8				1
25	SM6061200SP	SCREW				1
26	13308804	TIMING_BELT				1
27	13307905	LOWER MAINSHAFT RIGHT				1
28	13308002	LOWER PULLEY				1
29	SM8061212TP	SCREW M6X12				2
30	13309158	BEARING_ASSY_F				1
31	SM8060842TP	SCREW M6 L=8		*		1
32	SM8060612TP	SCREW M6 L=6		*		1
33	13309000	LMS_FAN		*		1
34	PS0400082KP	SPRING PIN		*		1
35	13308309	LMS_SPROCKET				1
36	SM8060812TP	SCREW M6 L=8				4
37	13308556	BEARING_ASSY_D				1
38	SM8060612TP	SCREW M6 L=6		*		2
39	13308457	BEARING_ASSY_C				1
40	SM8060612TP	SCREW M6 L=6		*		2
41	RO148240200	RUBBER RING				1
42	13307509	JOINT				1
43	SM8060612TP	SCREW M6 L=6				4
44	13308150	LMS_LEFT_ASSY				1
45	13337100	GUIDE LOOPER ROD		*		1
46	SM4051055SP	SCREW		*		1
47	SM6061402TP	SCREW M6 L=14		*		1

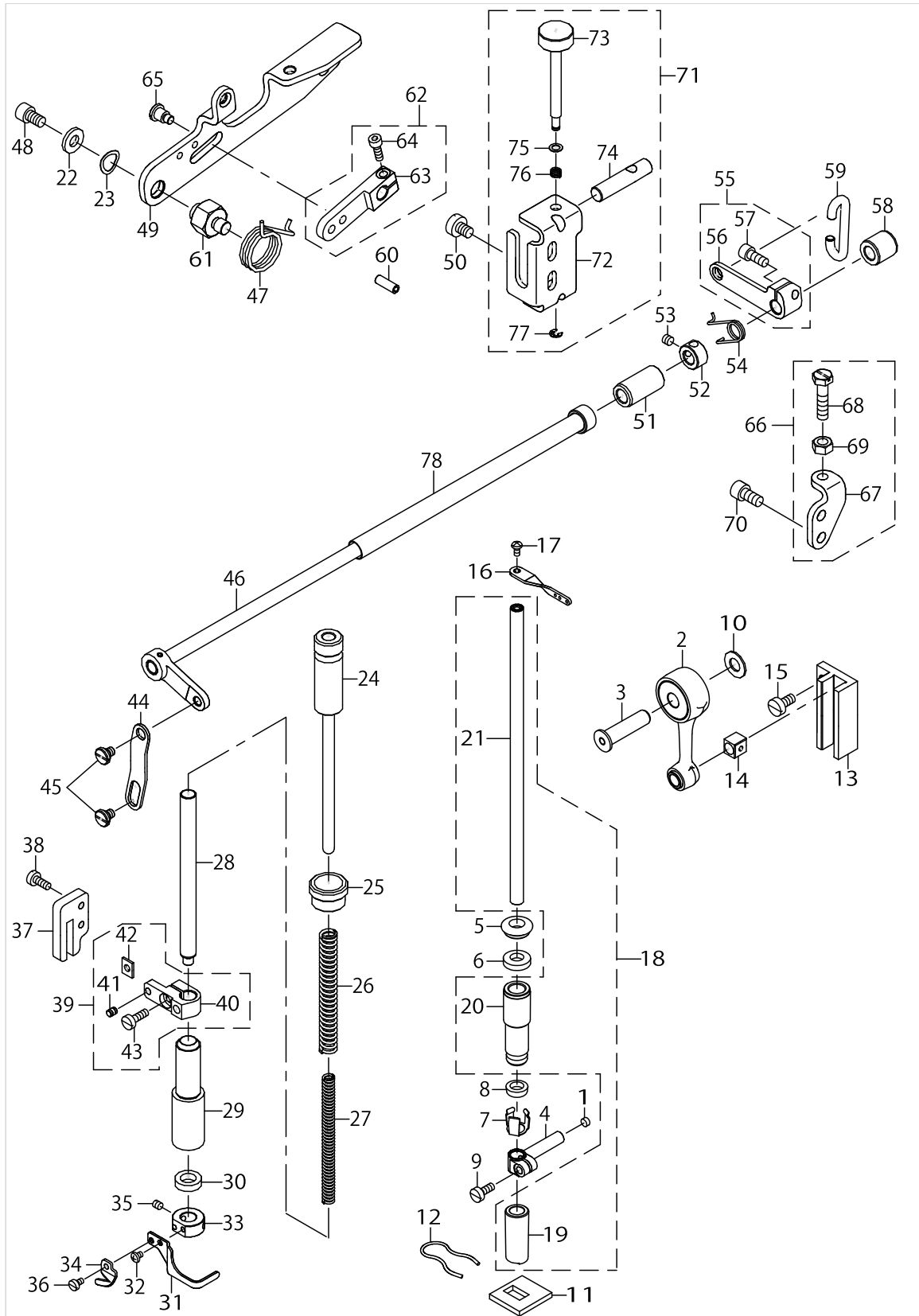
MAIN SHAFT COMPONENTS



MAIN SHAFT COMPONENTS

No.	Parts No.	Parts name	Remarks	Level	Cons	Qty
48	SM6040800SP	SCREW		*		1
49	13324108	SCREW		*		4
50	WS0510002KP	SPRING WASHER 5.1X9.2X1.3		*		1
51	13337001	LOOPER ROD DRIVE		*		1
52	13337209	LOOPER DRIVE		*		1
53	13308101	LOWER MAINSHAFT LEFT		*		1
54	SM4040855SP	SCREW				3
55	40078278	HOUSING_A	SELECTIVE PARTS			1
56	40078279	HOUSING_B	SELECTIVE PARTS			1
57	40078280	HOUSING_C	SELECTIVE PARTS			1
58	13308200	BUSHING LMS MIDDLE				1
59	13308655	BUSHING_LMS_LEFT_ASSY				1
60	13308705	GASKET FOR BUSHING LEFT				1
61	RO044530010	RUBBER RING				1
62	40078282	OIL SEAL				1
63	40081965	OIL_BLOCK_PLATE				1

NEEDLE BAR & PRESSER COMPONENTS



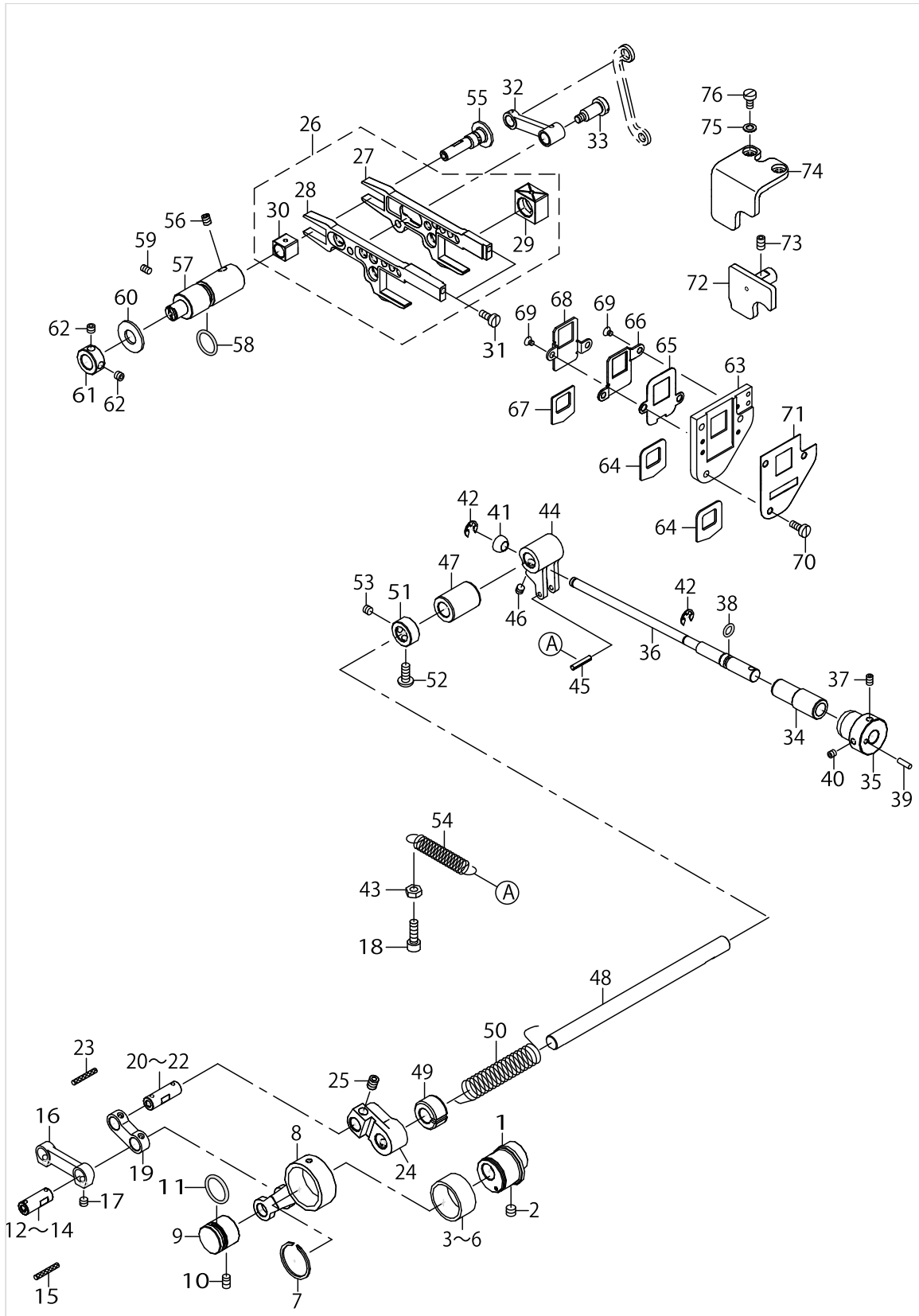
NEEDLE BAR & PRESSER COMPONENTS

No.	Parts No.	Parts name	Remarks	Level	Cons	Qty
1	40078293	PLUG				1
2	40078285	ASSY_NEEDLE_CRANK_ROD				1
3	40078290	NEEDLE CRANK				1
4	40078292	NEEDLE_BAR_CLAMP				1
5	40078305	BUSHING_NB_U_PRESSER_A				1
6	40078302	BUSHING_NB_U_FELT_A				1
7	40078306	BUSHING_NB_U_PRESSER_B				1
8	40078303	BUSHING_NB_U_FELT_B				1
9	SM6041000SP	SCREW M4 L=10				1
10	40078291	WASHER				1
11	40078301	BUSHING_NB_L_FELT				1
12	40078304	BUSHING_NB_L_PRESSER				1
13	40078294	NEEDLE_BAR_GUIDE				1
14	40078295	SLIDE_BLOCK				1
15	SM6051000SP	SCREW				3
16	13326806	NEEDLE BAR EYELET				1
17	SM4030655SP	SCREW				1
18	40078317	ASSY_BUSHING_NB_DRY				1
19	40078299	BUSHING_NB_LOWER		*		1
20	40078300	BUSHING_NB_UPPER		*		1
21	40078296	NEEDLE BAR ASSY		*		1
22	WP0702026SP	WASHER 7X15X2				1
23	WZ1052010KP	WAVED WASHER				1
24	13313051	ADJ SCREW P B ASSY				1
25	13313101	LOCKING NUT				1
26	13313309	SPRING PRESSER BAR A				1
27	13313408	SPRING PRESSER BAR B				1
28	13313507	PRESSER BAR				1
29	13313705	BUSHING PRESSER BAR				1
30	13315908	OIL SEAL				1
31	40018259	FINGER_GUARD				1
32	SM4030455SP	SCREW				1
33	13313606	COLLAR				1
34	13316302	THREAD_TRIMMER				1
35	SM8040410TP	SCREW				2
36	SM6030500SN	SCREW M3 L=5				1
37	13313804	GUIDE PLATE				1
38	SM6041000SP	SCREW M4 L=10				2
39	13313952	P_B_BRACKET_ASSY				1
40	13313903	PRESSER BAR BRACKET		*		1
41	13316203	P_B_BRACKET_PIN		*		1
42	13333208	WASHER		*		1
43	SM6041200SP	SCREW M4 L=12		*		1
44	13314109	LINK				1
45	SD0700206TP	SHOULDER SCREW				2
46	40078307	ASSY_LIFTER_SHAFT_DRY				1
47	13315205	SPRING LIFTER LEVER				1

NEEDLE BAR & PRESSER COMPONENTS

No.	Parts No.	Parts name	Remarks	Level	Cons	Qty
48	SM6061002TP	SCREW M6 L=10				1
49	13315007	LIFTER LEVER				1
50	SM6060800SP	SCREW M6 L=8				1
51	13314406	BUSHING LIFTER FRONT				1
52	CS0800881TP	THRUST COLLAR				1
53	SM8050412TP	SCREW M5 L=4				2
54	13314802	SPRING PF LIFT				1
55	13314752	LIFTER_SHAFT_LEVER_ASSY				1
56	13314703	LIFTER SHAFT LEVER		*		1
57	SM6051202TP	SCREW M5X0.8 L=12		*		1
58	13314505	BUSHING LIFTER REAR				1
59	13314901	LIFTER HOOK				1
60	PS0500142KP	SPRING PIN				1
61	13315106	LIFTER LEVER HOLDER				1
62	13315353	TENS_RELEASE_LEVER_ASSY				1
63	13315304	TENSION RELEASE LEVER		*		1
64	SM6041202TP	SCREW M4X0.7 L=12		*		1
65	SD0700586TP	SHOULDER SCREW				1
66	13315551	STOPPER_ASSY				1
67	13315502	LIFTER LEVER STOPPER		*		1
68	SM9062550TP	SCREW		*		1
69	NM6060001CP	NUT M6		*		1
70	SM6061202TP	SCREW M6 L=12				2
71	13315650	MINUTE_LIFTING_ASSY				1
72	13315601	BRACKET		*		1
73	13315700	SCREW		*		1
74	13315809	SLIDER		*		1
75	WP0460556SD	WASHER 4.6X7.5X0.5		*		1
76	13123302	ADJUSTING SPRING		*		1
77	RE0300000K0	E-RING 3		*		1
78	40078320	PIPE_ASSY				1

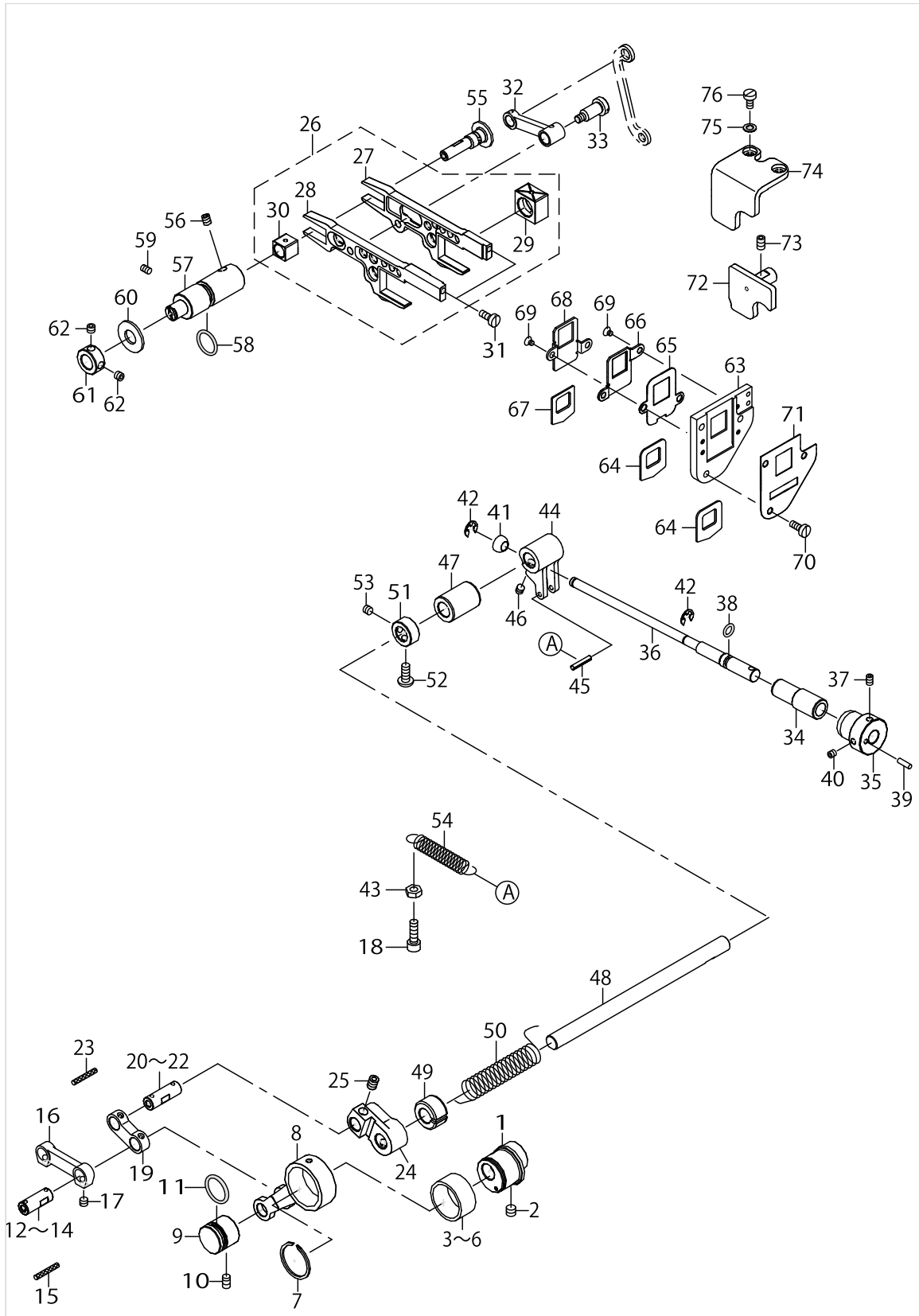
FEED DRIVE COMPONENTS (1)



FEED DRIVE COMPONENTS (1)

No.	Parts No.	Parts name	Remarks	Level	Cons	Qty
1	13317003	FEED ECCENTRIC				1
2	SM8060552TP	SCREW M6 L=5				2
3	B1426180A00	NEEDLE BEARING (A)	SELECTIVE PARTS			1
4	B1426180B00	NEEDLE BEARING (B)	SELECTIVE PARTS			1
5	B1426180C00	NEEDLE BEARING (C)	SELECTIVE PARTS			1
6	B1426180D00	NEEDLE BEARING (D)	SELECTIVE PARTS			1
7	RC2251213KP	C-RING				1
8	13317102	CRANK_ROD				1
9	13323803	CRANK ROD GUIDE				1
10	SM8050812TP	SCREW M5X8				1
11	RO158240100	O-RING				1
12	13323308	FEED_ADJ_LINK_PIN_A	SELECTIVE PARTS			1
13	13323407	FEED_ADJ_LINK_PIN_B	SELECTIVE PARTS			1
14	13323506	FEED_ADJ_LINK_PIN_C	SELECTIVE PARTS			1
15	CQ303000000	OIL WICK				0.07
16	13317201	MAIN FEED DRIVE LINK				1
17	SM8050412TP	SCREW M5 L=4				2
18	SM6051602TP	SCREW M5X0.8 L=16				1
19	13317300	ADJUST LINK				1
20	13317409	FEED ADJ LINK PIN A	SELECTIVE PARTS			1
21	13317508	FEED ADJ LINK PIN B	SELECTIVE PARTS			1
22	13317607	FEED ADJ LINK PIN C	SELECTIVE PARTS			1
23	CQ303000000	OIL WICK				0.08
24	13317706	MAIN FEED ADJ LEVER				1
25	SM8060552TP	SCREW M6 L=5				2
26	13321658	FEED_BAR_ASSY				1
27	13321609	MAIN FEED BAR		*		1
28	13321708	DIFF FEED BAR		*		1
29	13321401	SLIDE BLOCK		*		1
30	13322409	SLIDE BLOCK		*		1
31	SM6041000SP	SCREW M4 L=10				2
32	13319702	DIFF FEED LINK				1
33	SD0801326TH	SHOULDER SCREW				1
34	13318209	BUSHING FEED ADJUST				1
35	13318001	KNOB FEED ADJUST				1
36	13318100	SHAFT FEED ADJUST				1
37	SM8040602TP	SCREW M4X0.7 L=6				1
38	RO055200100	RUBBER RING				1
39	B3215470000	PIN				1
40	SM8040412TP	SET SCREW M4 L=4				1
41	13318308	STOPPER FEED ADJUST				1
42	RE0500000K0	E-RING				2
43	NM6050001SP	NUT M5				1
44	13317904	FEED ADJUST LEVER				1
45	PS0300162KH	SPRING PIN 3X16				1
46	SM8050412TP	SCREW M5 L=4				1
47	13323100	BUSHING_FEED_ADJ				1

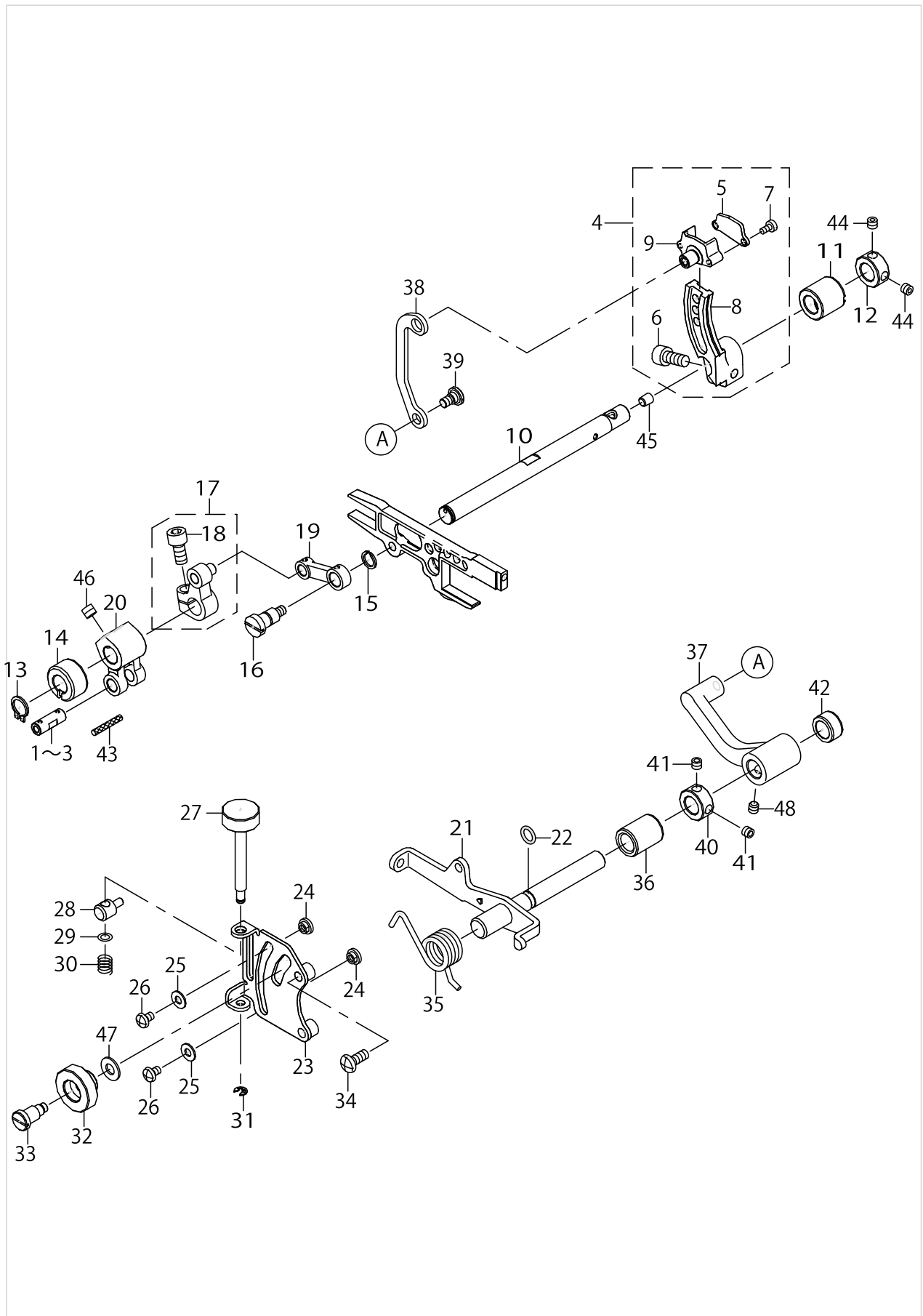
FEED DRIVE COMPONENTS (1)



FEED DRIVE COMPONENTS (1)

No.	Parts No.	Parts name	Remarks	Level	Cons	Qty
48	13317805	FEED ADJUST SHAFT				1
49	13319108	BUSHING FEED FRONT				1
50	13318506	TORSIN SPRING				1
51	CS1000881TP	THRUST COLLAR				1
52	SM4051255SP	SCREW.,M5 L=12.				1
53	SM8050412TP	SCREW M5 L=4				1
54	B2556280000	SPRING				1
55	13322201	ECCENTRIC PIN				1
56	SM8060552TP	SCREW M6 L=5				1
57	13322003	FEED BAR SHAFT				1
58	RO137230100	RUBBER RING				1
59	SM8040612TP	SCREW M4 L=6				1
60	13322102	WASHER FEED BAR SHAFT				1
61	CS1000881TP	THRUST COLLAR				1
62	SM8050412TP	SCREW M5 L=4				2
63	13322508	FEED BAR SEAL CASE				1
64	13322607	FEED BAR SEAL 1				2
65	13322706	FEED BAR SEAL PLATE 1				1
66	13322805	FEED BAR SEAL PLATE 2				1
67	13323001	FEED BAR SEAL 2				1
68	13322904	FEED BAR SEAL PLATE 3				1
69	SM1030400SP	SCREW M3 L=4				4
70	SM6041000SP	SCREW M4 L=10				3
71	13323605	DUST PROOF PLATE				1
72	13321807	FEED BAR GUIDE 1				1
73	SM8050812TP	SCREW M5X8				1
74	13321906	FEED BAR GUIDE 2				1
75	WP0480856SP	WASHER 4.8X8.4X0.8				2
76	SM6040800SP	SCREW				2

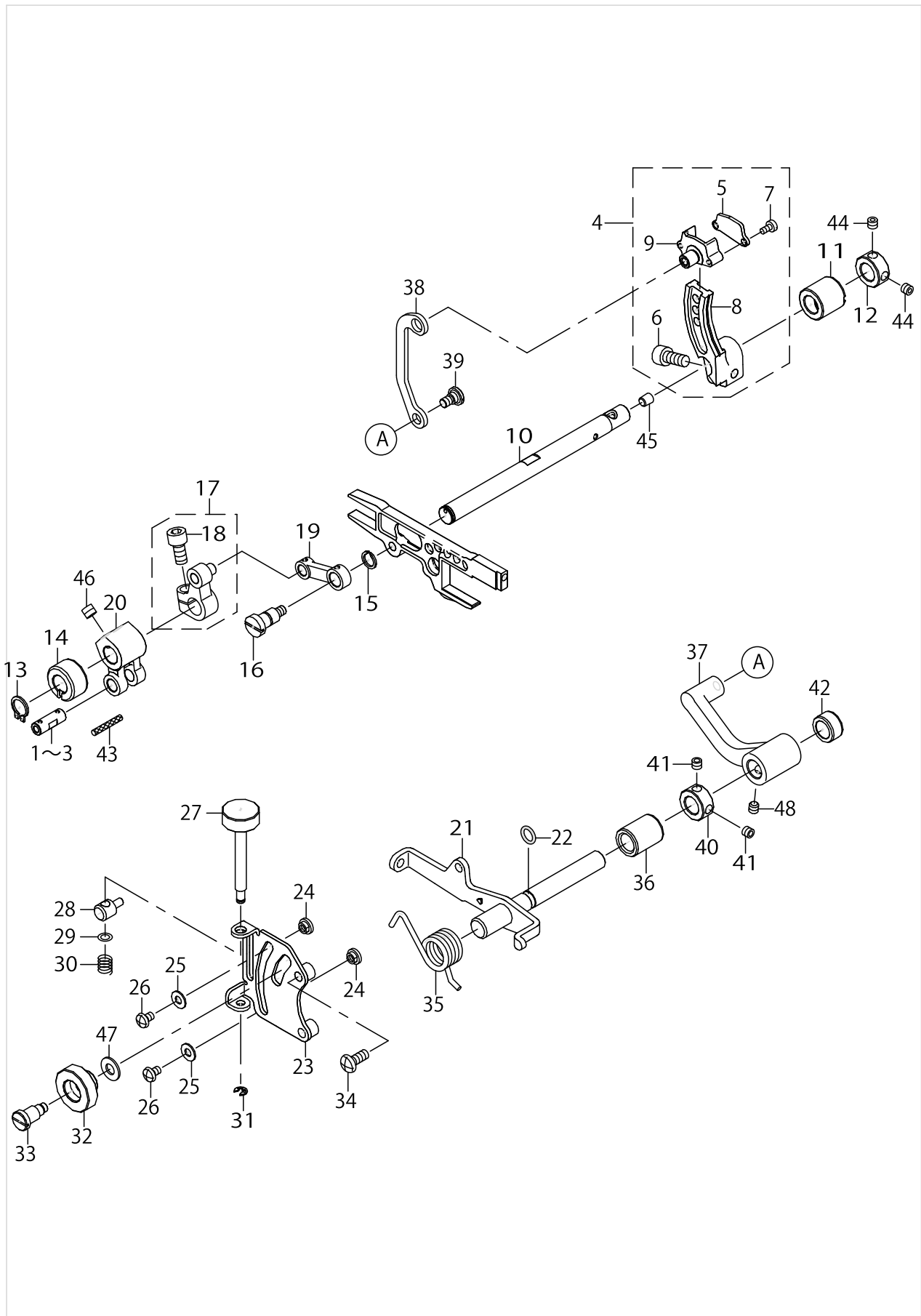
FEED DRIVE COMPONENTS (2)



FEED DRIVE COMPONENTS (2)

No.	Parts No.	Parts name	Remarks	Level	Cons	Qty
1	13318704	MAIN FEED CRANK PIN A	SELECTIVE PARTS			1
2	13318803	MAIN FEED CRANK PIN B	SELECTIVE PARTS			1
3	13318902	MAIN FEED CRANK PIN C	SELECTIVE PARTS			1
4	13319959	DIFF_DRIVE_ARM_ASSY				1
5	13320106	DIFF FEED PIN PLATE		*		1
6	SM6061402TP	SCREW M6 L=14		*		1
7	SM6030600SP	SCREW M3X0.5 L=6		*		2
8	13319900	DIFF DRIVE ARM		*		1
9	13320007	DIFF FEED PIN		*		1
10	13319009	ROCKER SHAFT				1
11	13319207	BUSHING FEED REAR				1
12	CS1000881TP	THRUST COLLAR				1
13	RC0100001KP	SNAP RING M10				1
14	13319108	BUSHING FEED FRONT				1
15	RC0741013KP	C-RING				1
16	13398409	SHOULDER SCREW				1
17	13319355	MAIN_FEED_ROCKER_ASSY				1
18	SM6061202TP	SCREW M6 L=12		*		1
19	13319504	MAIN FEED LINK				1
20	13318605	MAIN FEED CRANK				1
21	13320650	DIFF FEED LEVER ASSY				1
22	RO068190100	RUBBER RING				1
23	13320809	PLATE DIFF FEED LEVER				1
24	13321203	STOPPER DIFF ADJ				2
25	WP0450826SC	WASHER 4.5X10X0.8				2
26	SM5040655SN	SCREW				2
27	13213012	ADJUSTING SCREW				1
28	13217708	DIFFERENTIAL FEED BLOCK				1
29	WP0460556SD	WASHER 4.6X7.5X0.5				1
30	13123302	ADJUSTING SPRING				1
31	RE0300000K0	E-RING 3				1
32	13217500	DIFFERENTIAL FEED LOCK NUT				1
33	13217401	DIFFERENTIAL FEED HINGE SCREW				1
34	SM4051255SP	SCREW.,M5 L=12.				2
35	13321302	TORSIN SPRING				1
36	13320304	BUSHING DIFF ADJ LEVER				1
37	13320403	DIFF ADJ LEVER				1
38	40018443	DIFF_ADJ_LINK				1
39	31013808	HINGE SCREW				1
40	CS1000881TP	THRUST COLLAR				1
41	SM8050412TP	SCREW M5 L=4				2
42	13323209	BUSHING_DIFF_ADJ_LEVER				1
43	CQ303000000	OIL WICK				0.04
44	SM8050412TP	SCREW M5 L=4				2
45	TA0500601M0	PLUG D=5X5.4 L=6				1
46	SM8060552TP	SCREW M6 L=5				2
47	WP0621016SD	WASHER 6.2X13X1				1

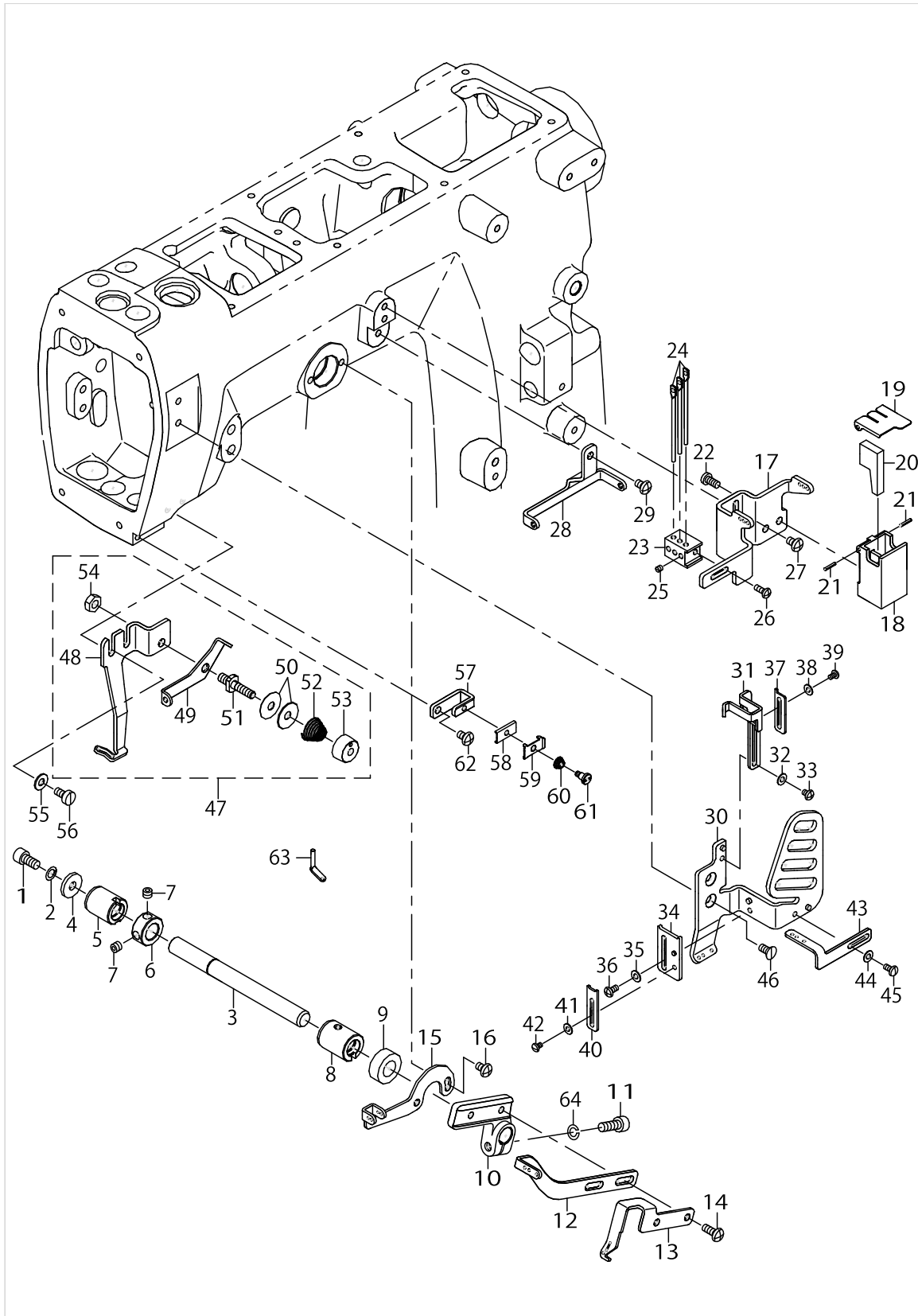
FEED DRIVE COMPONENTS (2)



FEED DRIVE COMPONENTS (2)

No.	Parts No.	Parts name	Remarks	Level	Cons	Qty
48	SM8050412TP	SCREW M5 L=4				1

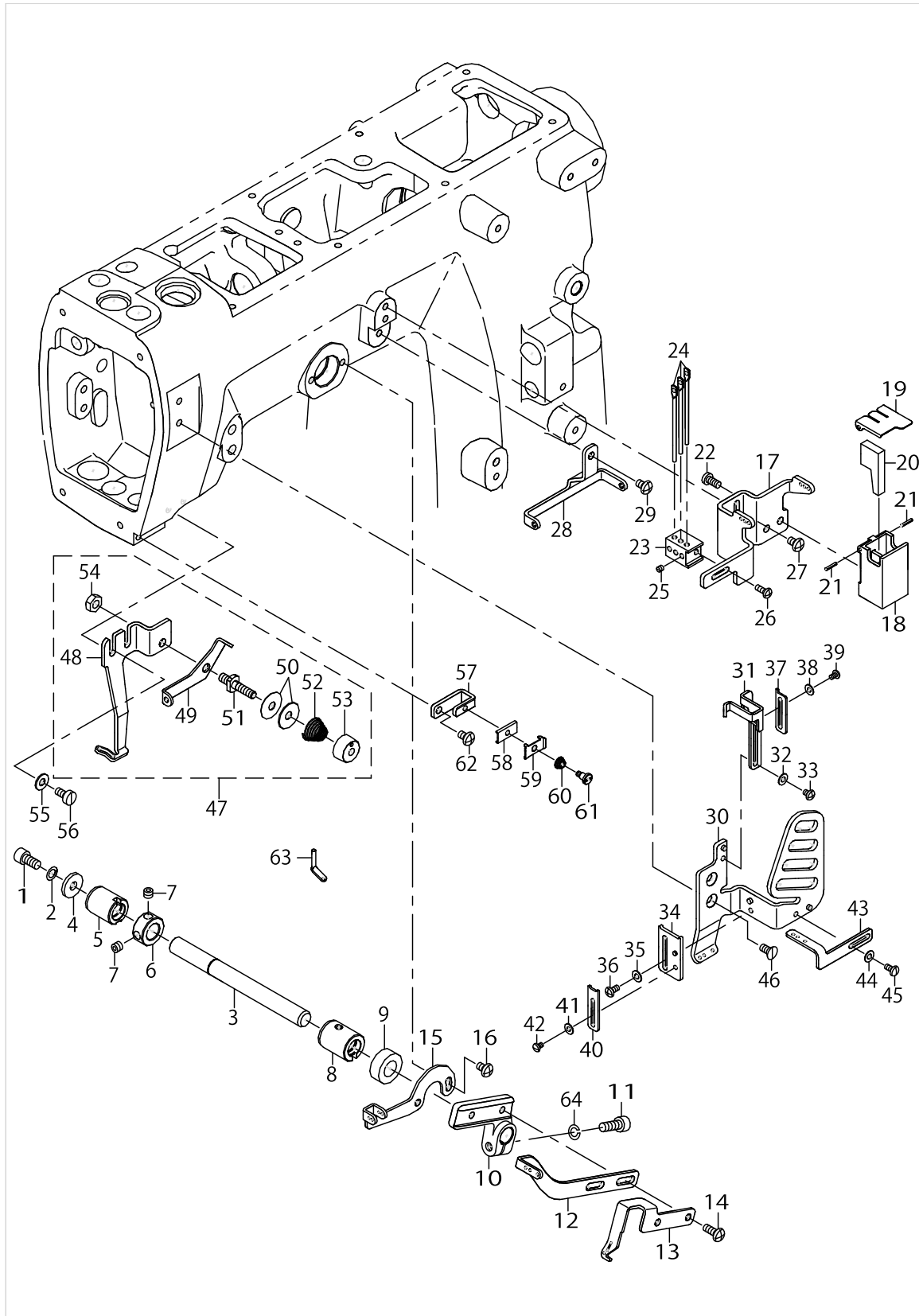
THREAD TAKE-UP LEVER COMPONENTS



THREAD TAKE-UP LEVER COMPONENTS

No.	Parts No.	Parts name	Remarks	Level	Cons	Qty
1	SM6051002TP	SCREW M5X0.8 L=10				1
2	WS0510002KP	SPRING WASHER 5.1X9.2X1.3				1
3	13324306	SHAFT				1
4	WP0522016SH	WASHER				1
5	13324504	BUSHING REAR				1
6	CS1000881TP	THRUST COLLAR				1
7	SM8050412TP	SCREW M5 L=4				2
8	13324603	BUSHING FRONT				1
9	23612609	FEED CHANGING SHAFT OIL SEAL				1
10	13324702	HOLDER TAKE UP EYELET				1
11	SM6051402TP	SCREW M5X0.8 L=14				1
12	13324801	NDL THREAD TAKE UP				1
13	13324900	UP LPR THREAD TAKE UP				1
14	SM4041055SP	SCREW				2
15	13325006	THREAD GUIDE				1
16	SM4040655SP	SCREW M4 L=6				2
17	13325105	THREAD TENSION GUIDE				1
18	13348008	TANK				1
19	B9213850000	SILICONE OIL TANK COVER, UPPER				1
20	B9214850000	HEAT REMOVING FELT				1
21	PS0150082KH	SPRING PIN				2
22	ST4040851SN	TAPPING SCREW M4X8				2
23	13325204	HOLDER				1
24	30391601	NEEDLE THREAD EYELET				3
25	SM8030350TP	SCREW				3
26	SM4030855SN	SCREW M3 L=8.0				1
27	SM4040655SP	SCREW M4 L=6				2
28	13325402	THREAD GUIDE				1
29	SM4040655SP	SCREW M4 L=6				1
30	13325501	COVER				1
31	13325709	NDL THD STRIKE OFF				1
32	WP0320501SC	WASHER M3				1
33	SM4030455SP	SCREW				1
34	13325600	THD STRIKE OFF PLATE				1
35	WP0320501SC	WASHER M3				1
36	SM4030655SP	SCREW				1
37	13326905	NDL THD STRIKE OFF R				1
38	WP0280501SC	WASHER M2.6				1
39	SM4850455SP	SCREW				1
40	13327002	THD STRIKE OFF PLATE R				1
41	WP0280501SC	WASHER M2.6				1
42	SM4850455SP	SCREW				1
43	13327101	THREAD_GUIDE				1
44	WP0320501SC	WASHER M3				1
45	SM4030655SP	SCREW				1
46	SM1040800SP	SCREW				2
47	13326350	UP_LPR_TENSION_ASSY				1

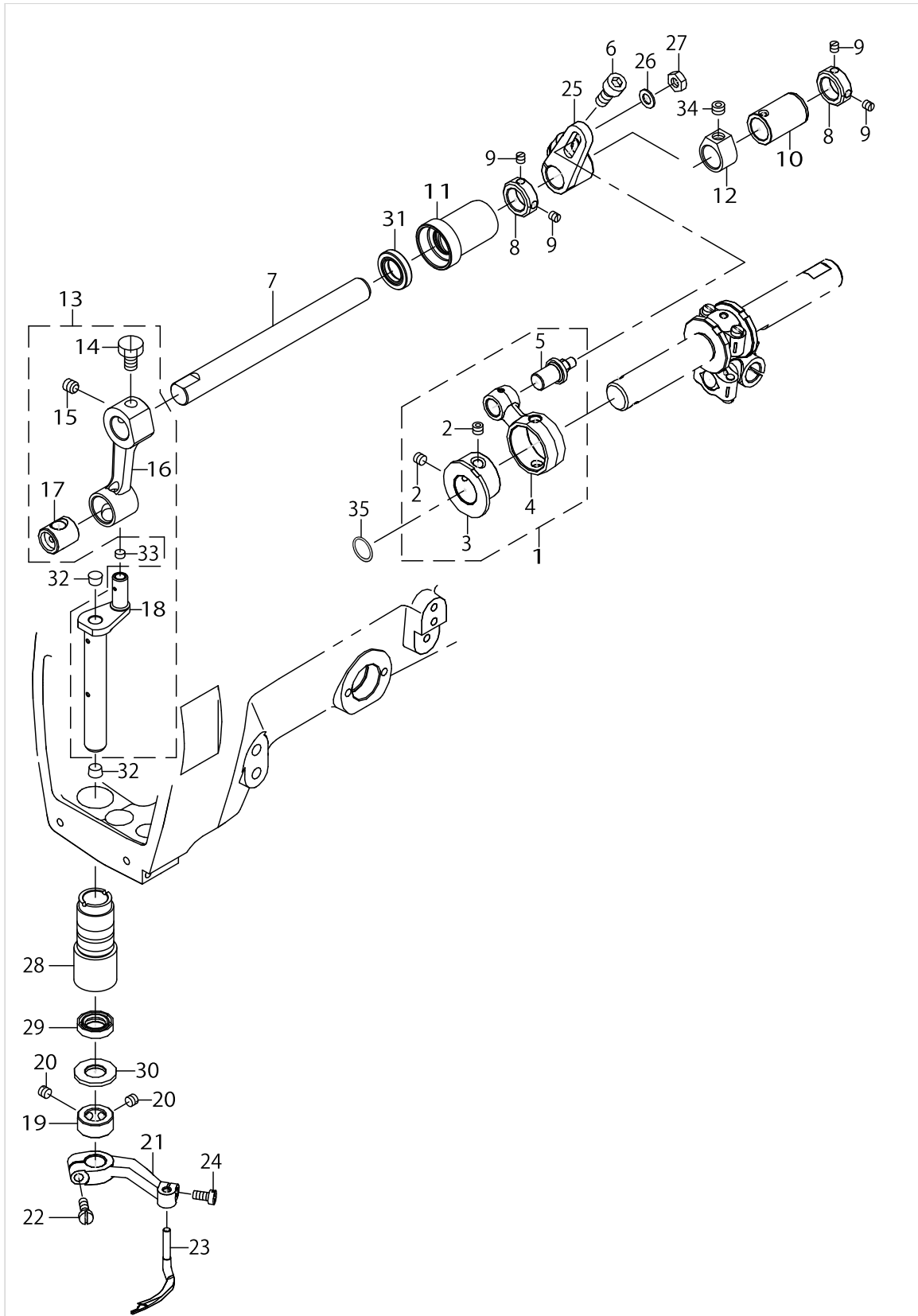
THREAD TAKE-UP LEVER COMPONENTS



THREAD TAKE-UP LEVER COMPONENTS

No.	Parts No.	Parts name	Remarks	Level	Cons	Qty
48	13326301	THREAD GUIDE UPPER LPR		*		1
49	13326400	THREAD GUIDE		*		1
50	22945802	THREAD TENSION DISK		*		2
51	13326509	TENSION POST		*		1
52	22945505	THREAD TENSION SPRING		*		1
53	13326608	TENSION NUT		*		1
54	NM6050001SP	NUT M5		*		1
55	WP0450826SC	WASHER 4.5X10X0.8				2
56	SM6040800SP	SCREW				2
57	13325808	NIPPER PLATE SUPPORT				1
58	13325907	NIPPER PLATE				1
59	13326004	NIPPER GUIDE PLATE				1
60	13326103	SPRING				1
61	13326202	SHOULDER SCREW				1
62	SM4040655SP	SCREW M4 L=6				1
63	13326707	THREAD GUIDE				1
64	WS0510002KN	SPRING WASHER				1

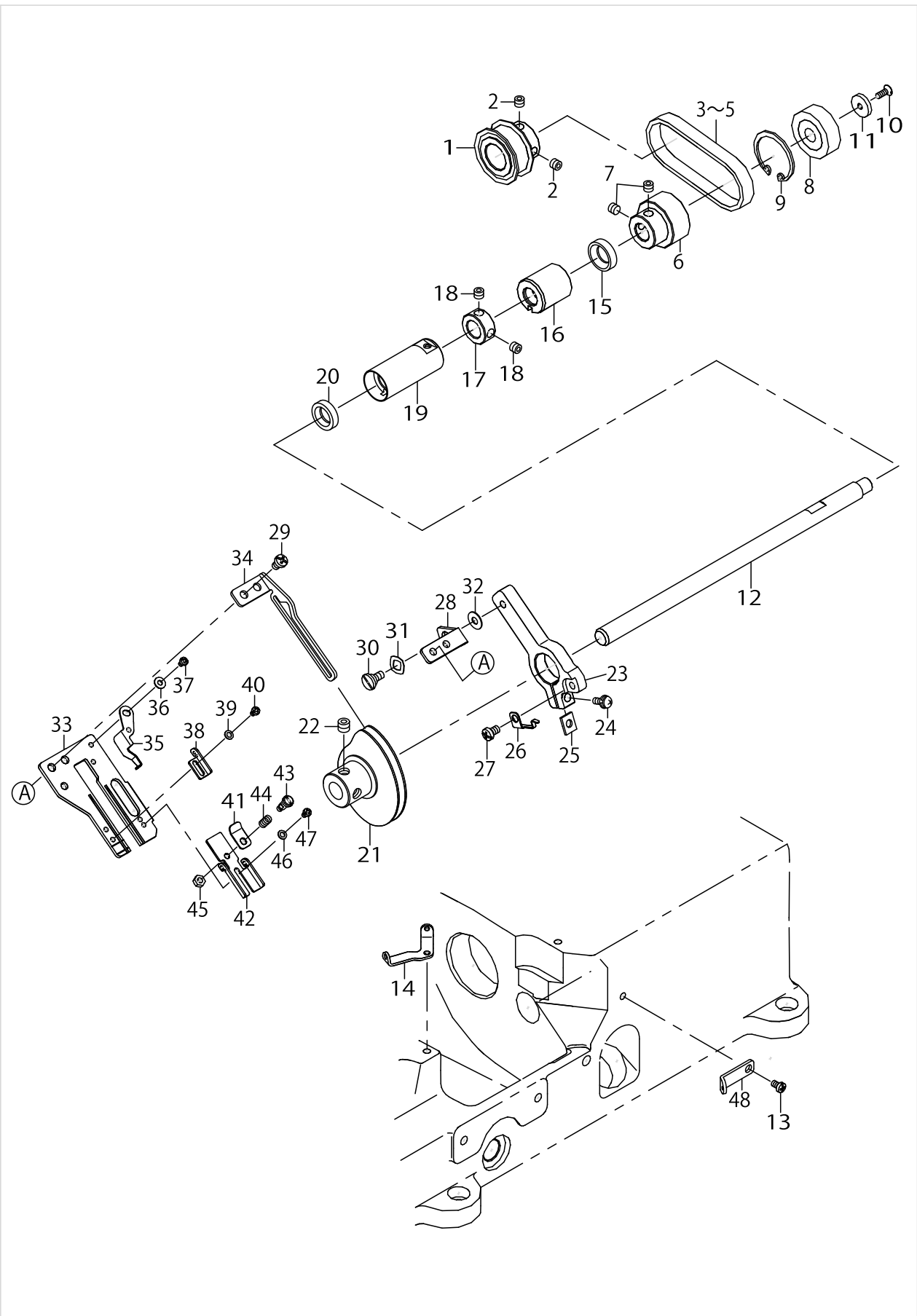
SPREADER COMPONENTS



SPREADER COMPONENTS

No.	Parts No.	Parts name	Remarks	Level	Cons	Qty
1	40078318	ASSY_UPPPER_LPR_MECH				1
2	SM8050412TP	SCREW M5 L=4		*		2
3	40083520	UPPER_LOOPER_ECCENTRIC		*		1
4	40078319	CONNROD_FOR_UPPER_LPR		*		1
5	13328208	STUD		*		1
6	SM6061402TP	SCREW M6 L=14				1
7	40078310	UPPER_LOOPER_SHAFT				1
8	13399209	COLLAR				2
9	SM8040410TP	SCREW				4
10	40081402	BUSHING_REAR				1
11	40078309	BUSHING_FRONT				1
12	13411806	COLLAR				1
13	40078311	ASSY_UPPER_LPR_MECH_2				1
14	SM9061050TP	SCREW M6 L=10		*		1
15	SM8060612TP	SCREW M6 L=6		*		1
16	40078312	CRANK_ROD		*		1
17	40078313	UPPER_LOOPER_ROCKER		*		1
18	40078314	U.L_SHAFT_VERTICAL		*		1
19	CS1000881TP	THRUST COLLAR				1
20	SM8050412TP	SCREW M5 L=4				2
21	13328802	UPPER LOOPER HOLDER				1
22	SM6041200SP	SCREW M4 L=12				1
23	13329404	UPPER LOOPER				1
24	SM6040800SP	SCREW				1
25	40078316	DRIVING_ARM				1
26	WP0550800SP	WASHER 5.5X10X0.8				1
27	NM6050001SP	NUT M5				1
28	13329206	BUSHING VERTICAL				1
29	13338900	OIL SEAL				1
30	WP1022016SH	WASHER				1
31	40004573	OIL SEAL				1
32	TA0600401R0	PLUG				2
33	40078293	PLUG				1
34	SM8060412TP	SCREW				1
35	13170402	RUBBER RING				1

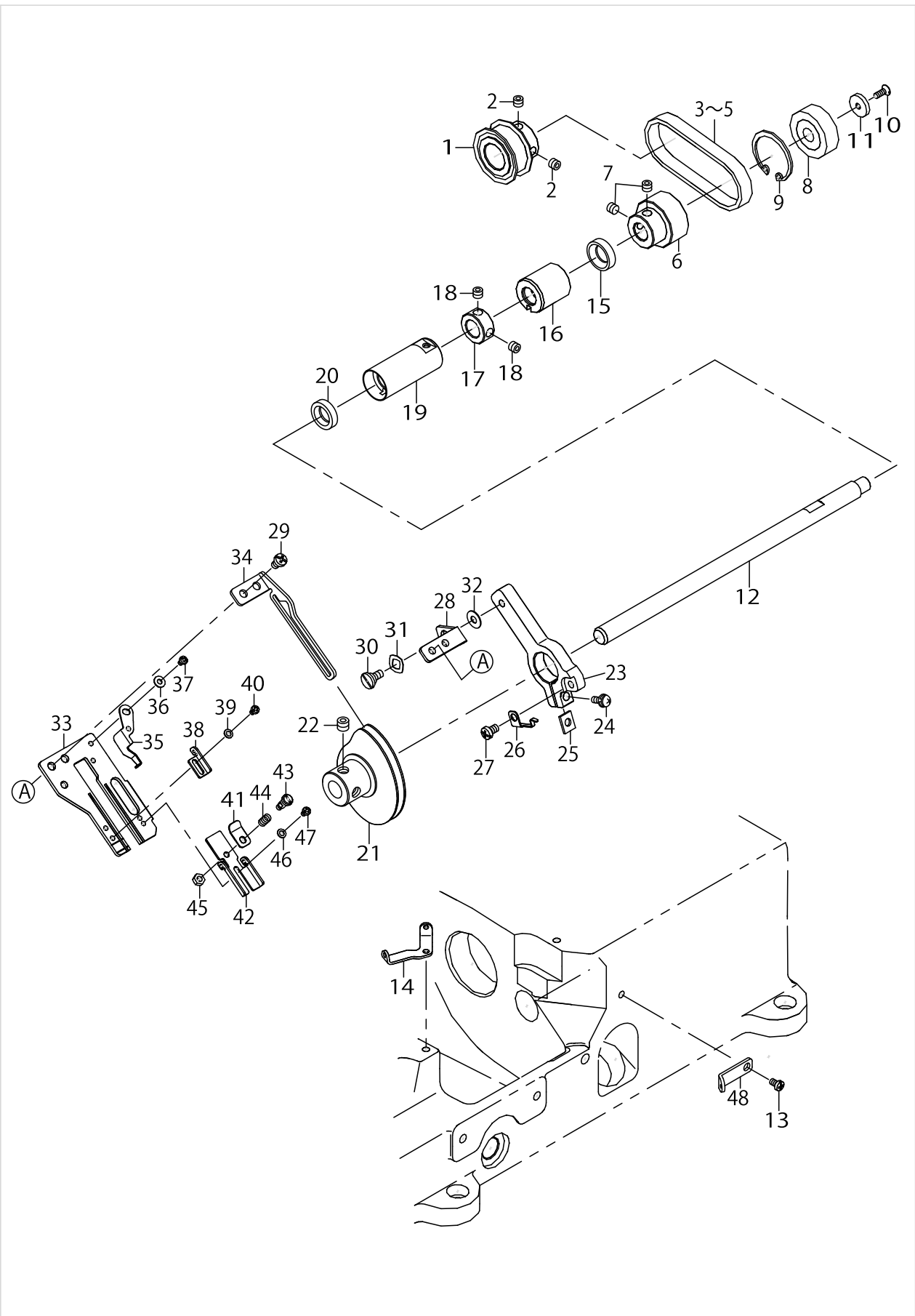
LOWER THREAD CAM COMPONENTS



LOWER THREAD CAM COMPONENTS

No.	Parts No.	Parts name	Remarks	Level	Cons	Qty
1	13331202	SPROCKET MAIN T UP				1
2	SM8050412TP	SCREW M5 L=4				2
3	13332507	BELT TAKE UP A	SELECTIVE PARTS			1
4	13333000	BELT TAKE UP B	SELECTIVE PARTS			1
5	13333109	BELT TAKE UP C	SELECTIVE PARTS			1
6	13331301	SPROCKET TAKE UP				1
7	SM8050412TP	SCREW M5 L=4				2
8	SB108002100	BEARING				1
9	RC2800002KP	RETAINIG PIN				1
10	SM1030800SM	SCREW M3X0.5 L=8				1
11	13332606	WASHER TAKE UP				1
12	13331400	SHAFT TAKE UP				1
13	SM4040655SP	SCREW M4 L=6				1
14	13333703	EYELET_D				1
15	40020538	OIL_SEAL				1
16	13331004	BUSHING A TAKE UP				1
17	CS1000881TP	THRUST COLLAR				1
18	SM8050412TP	SCREW M5 L=4				2
19	40023481	BUSHING_B_TAKE_UP				1
20	40023441	OIL_SEAL				1
21	40019335	ASSY_TAKE_UP				1
22	SM8060552TP	SCREW M6 L=5				2
23	13332309	BASE TAKE UP PLATE				1
24	SL4041281SC	SCREW M4X0.7 L=12				1
25	13333208	WASHER				1
26	13332903	SPRING				1
27	SM4040655SP	SCREW M4 L=6				1
28	13332804	BRACKET				1
29	SM4040655SP	SCREW M4 L=6				2
30	SD0640246SP	HINGE SCREW D=6.35 H=2.4				1
31	WZ0641510KP	WAVED WASHER 6.4X11X0.3				1
32	WP0410516SD	PLAIN WASHER				1
33	13332002	TAKE UP PLATE				1
34	40023042	THREAD_GUIDE				1
35	13333802	THREAD_CATCHER				1
36	WP0280501SC	WASHER M2.6				2
37	SM4850455SP	SCREW				2
38	13332101	EYELET A				1
39	WP0280500SC	WASHER				1
40	SM4850455SP	SCREW				1
41	13333307	LPR THD DISC UPPER				1
42	13333406	LPR THD GUIDE BASE				1
43	13333505	TENSION POST				1
44	13333604	LOOPER CAM SPRING				1
45	NM6030001SN	NUT				1
46	WP0280500SC	WASHER				1
47	SM4850455SP	SCREW				1

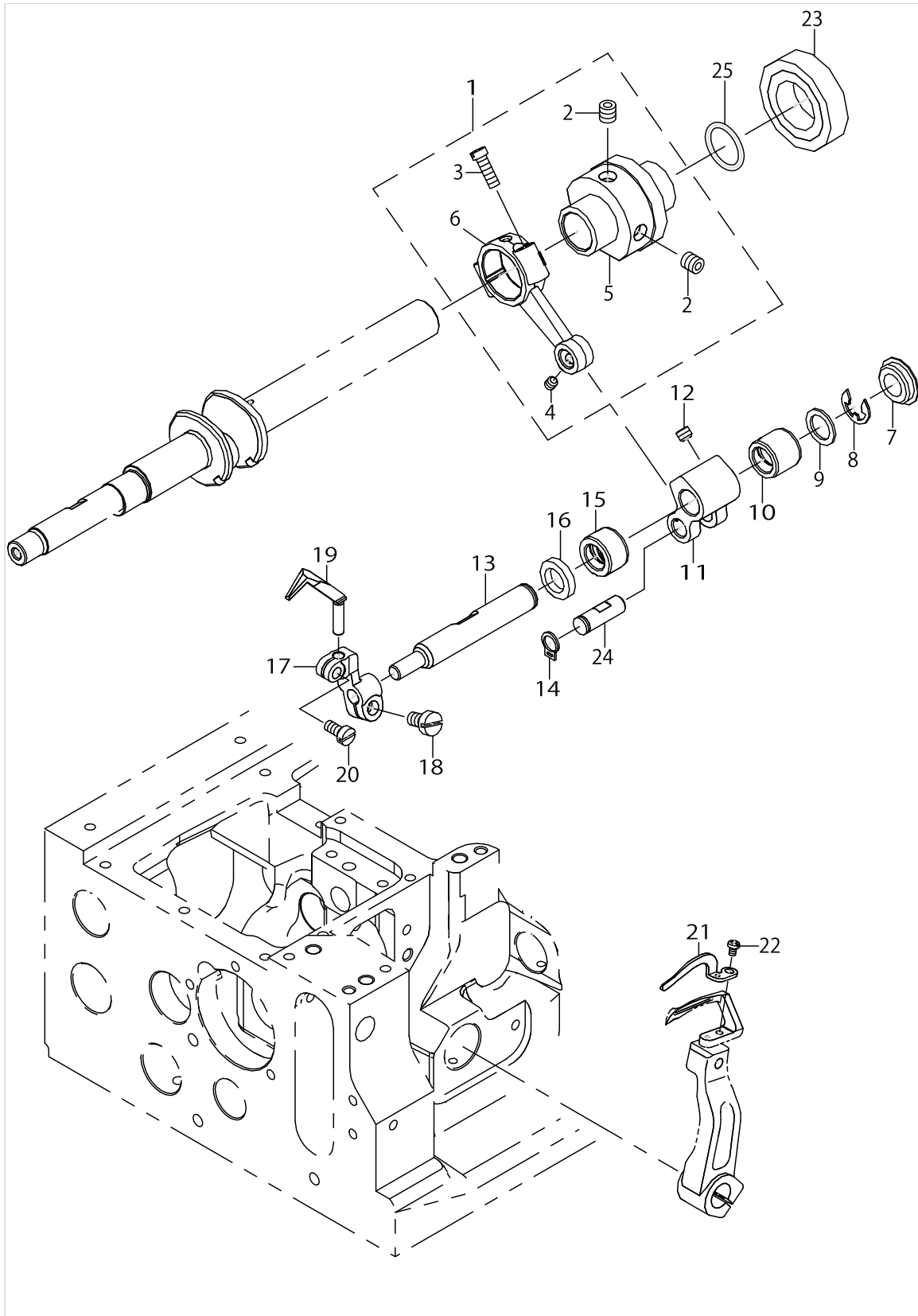
LOWER THREAD CAM COMPONENTS



LOWER THREAD CAM COMPONENTS

No.	Parts No.	Parts name	Remarks	Level	Cons	Qty
48	13332705	EYELET C				1

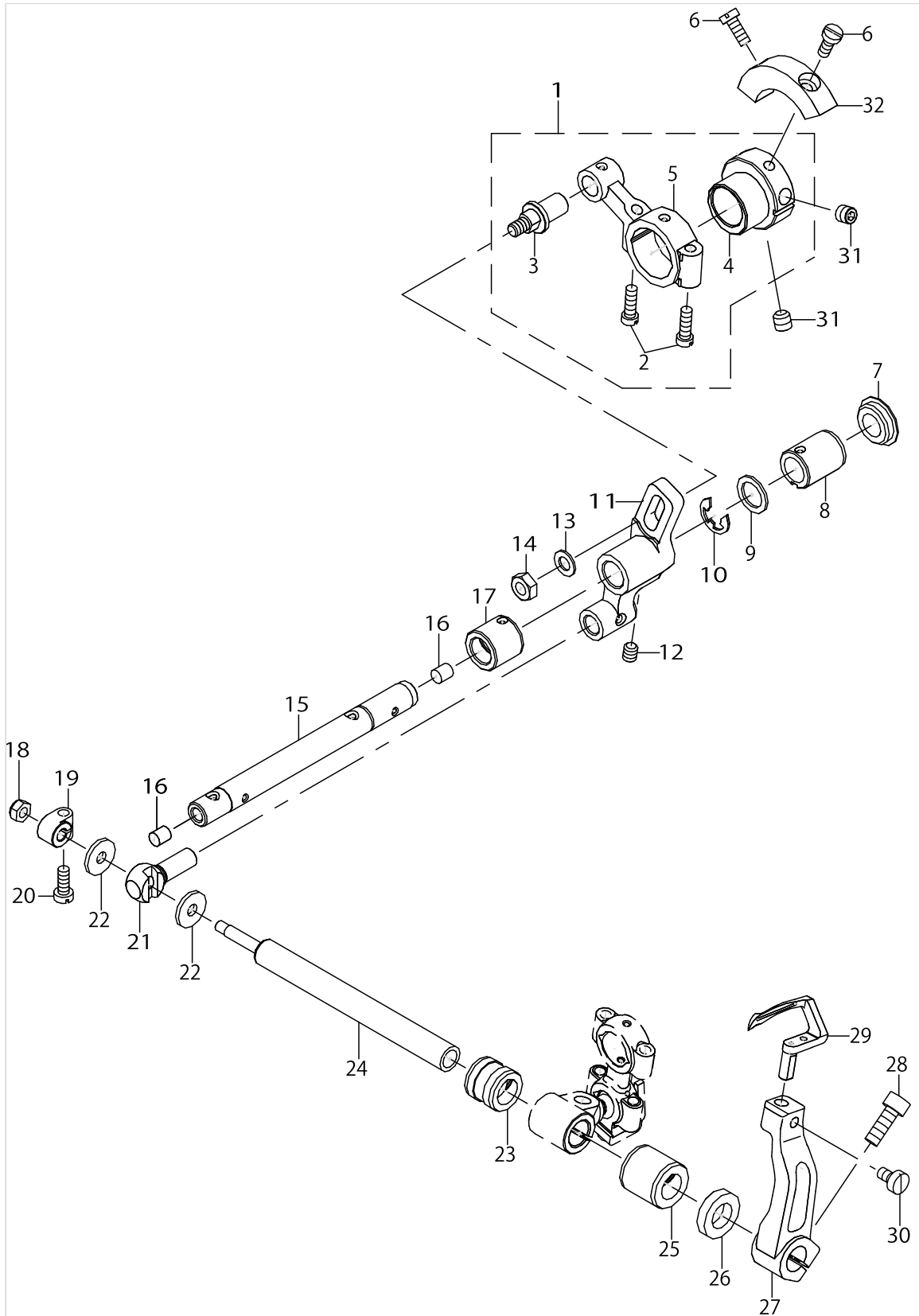
NEEDLE GUARD COMPONENTS



NEEDLE GUARD COMPONENTS

No.	Parts No.	Parts name	Remarks	Level	Cons	Qty
1	40018947	NDL_GUARD_CAM_ASSY				1
2	SM8060612TP	SCREW M6 L=6		*		2
3	SM6041202TP	SCREW M4X0.7 L=12		*		2
4	SM8040412TP	SET SCREW M4 L=4		*		1
5	40018923	NDL_GUARD_CAM		*		1
6	13334107	NDL_GUARD_CONN_ROD		*		1
7	TA1600406R0	PRUG				1
8	RE0700000K0	E-RING 7				1
9	WP1021026SH	WASHER				1
10	13334909	BUSHING_NDL_GUARD_A				1
11	13334206	NDL_GUARD_DRIVE_LEVER				1
12	SM8050412TP	SCREW M5 L=4				2
13	13334404	SHAFT_NEEDLE_GUARD				1
14	RC0650811KP	RETAINING_RING				1
15	13335005	BUSHING_NDL_GUARD_B				1
16	13335203	OIL_SEAL				1
17	13334503	REAR_NDL_GUARD HOLDER				1
18	SM6050800SP	SCREW M5 L=8				1
19	13334602	REAR_NDL_GUARD				1
20	SM6040800SP	SCREW				1
21	13334701	FRONT_NDL_GUARD				1
22	SM4850455SP	SCREW				1
23	SB120001500	BEARING				1
24	13334305	PIN_NDL_GUARD				1
25	RO148240200	RUBBER_RING				1

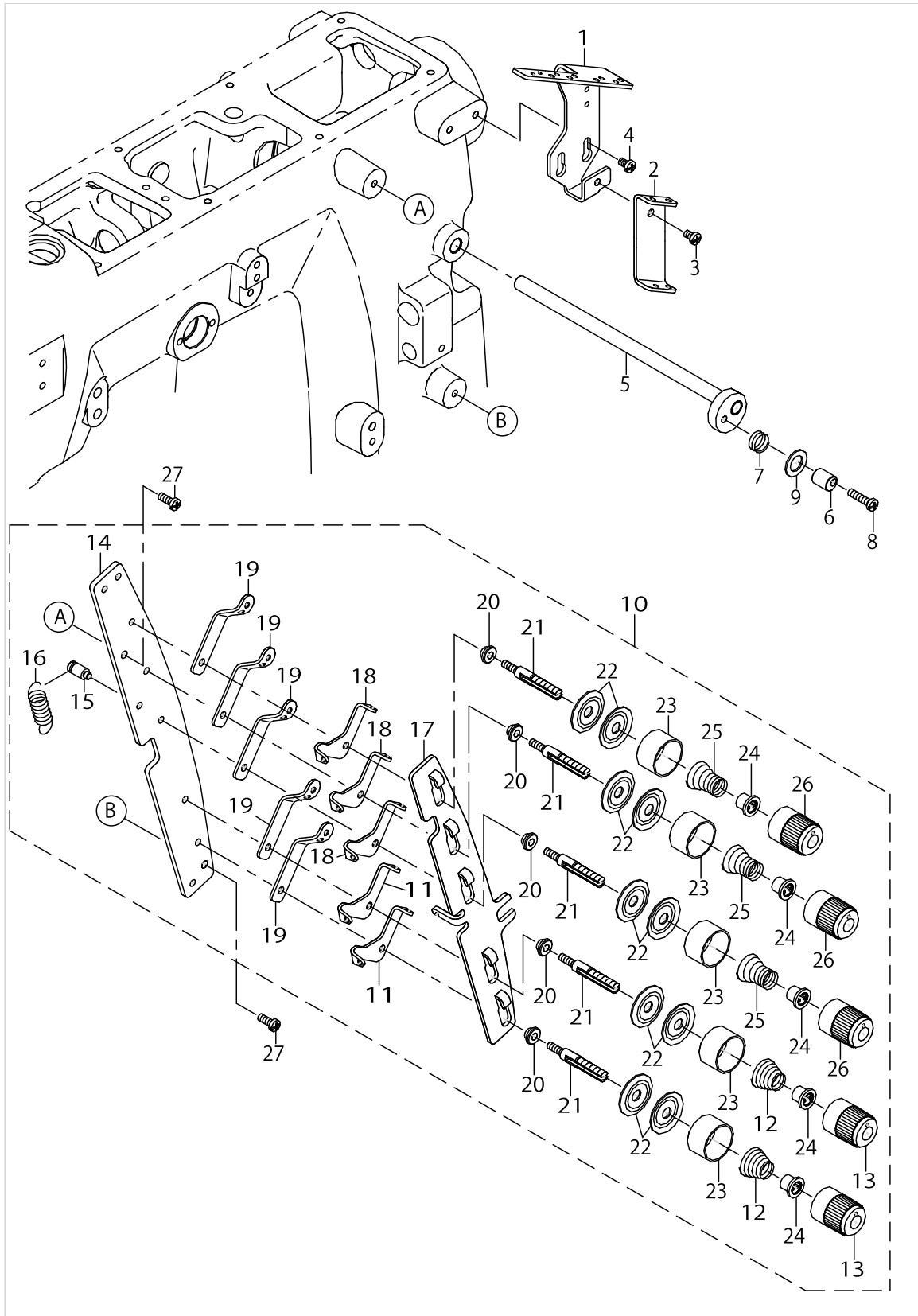
LOOPER COMPONENTS



LOOPER COMPONENTS

No.	Parts No.	Parts name	Remarks	Level	Cons	Qty
1	13337357	ECC_LOOPER_AVOID_ASSY				1
2	SM6041202TP	SCREW M4X0.7 L=12		*		2
3	13337506	PIN LOOPER AVOID		*		1
4	13337308	ECC LOOPER AVOID		*		1
5	13337407	LOOPER ROD AVOID		*		1
6	SM6041000SP	SCREW M4 L=10				2
7	TA1600406R0	PRUG				1
8	13338702	BUSHING LPR RIGHT				1
9	WP1021026SH	WASHER				1
10	RE0700000K0	E-RING 7				1
11	13337605	CRANK LOOPER AVOID				1
12	SM8050612TP	SCREW M5X6				1
13	WP0550800SP	WASHER 5.5X10X0.8				1
14	NM6050001SP	NUT M5				2
15	13338504	LOOPER SHAFT AVOID				1
16	TA0500601M0	PLUG D=5X5.4 L=6				2
17	13338603	BUSHING LPR LEFT				1
18	13338306	LOCK NUT				1
19	13337704	COLLAR LOOPER AVOID				1
20	SM6041000SP	SCREW M4 L=10				1
21	13337803	LOOPER AVOID PIN				1
22	WP0461516SH	WASHER				2
23	13338009	BUSHING LPR SHAFT REAR				1
24	13338207	LOOPER SHAFT				1
25	13338108	BUSHING LPR SHAFT FRT				1
26	13338900	OIL SEAL				1
27	13338405	LOOPER HOLDER				1
28	SM6051402TP	SCREW M5X0.8 L=14				1
29	13337902	LOOPER				1
30	SM6040750TP	SCREW M4 L=7				1
31	SM8060612TP	SCREW M6 L=6				2
32	13338801	BALANCE_WEIGHT_LP				1

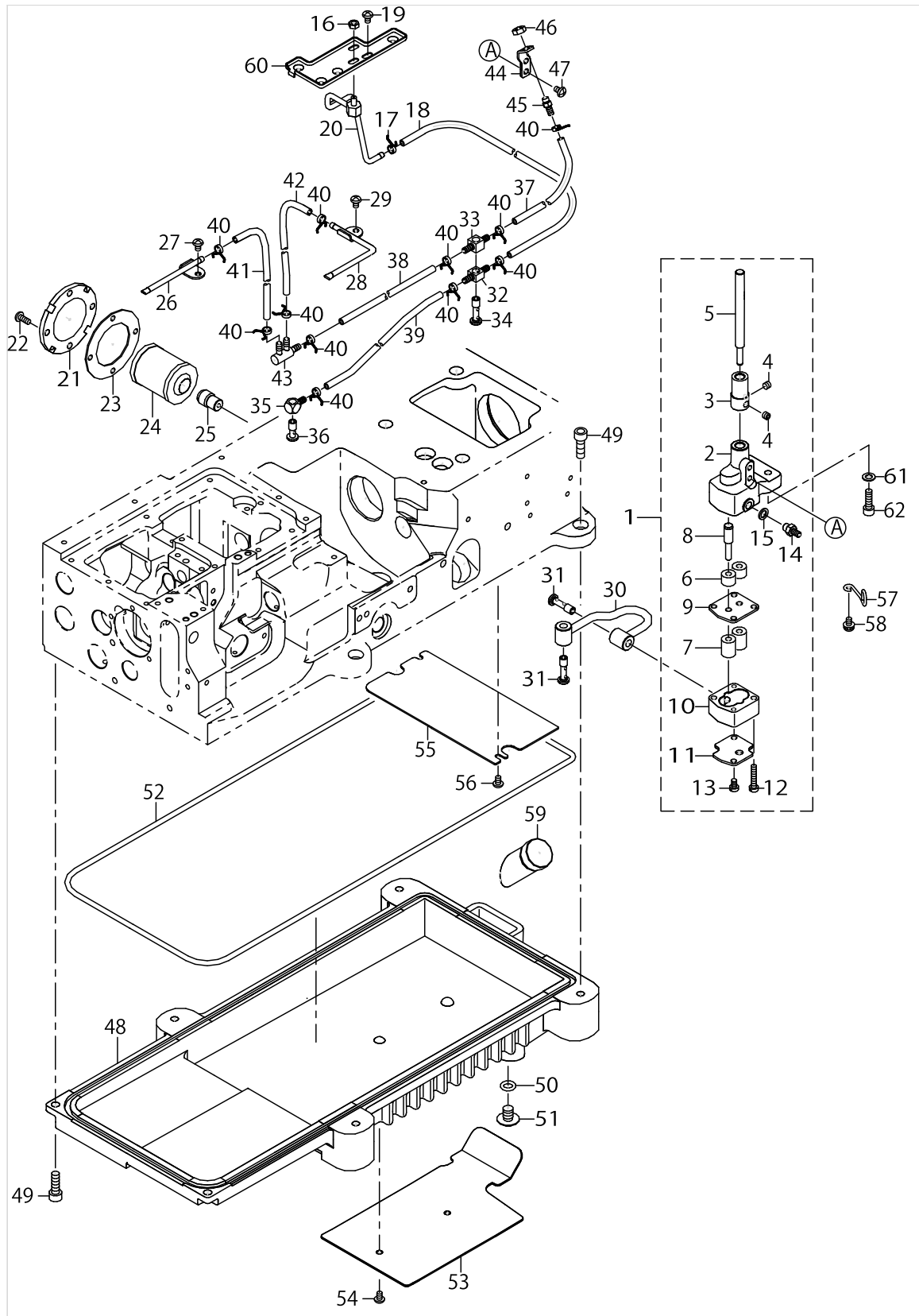
THREAD TENSION COMPONENTS



THREAD TENSION COMPONENTS

No.	Parts No.	Parts name	Remarks	Level	Cons	Qty
1	13340005	THREAD GUIDE PLATE				1
2	13340104	THREAD GUIDE				1
3	SM4040655SP	SCREW M4 L=6				1
4	SM4040655SP	SCREW M4 L=6				2
5	13341359	ASSY PULL OFF LEVER				1
6	13341409	TENS RELEASE ADJ ECC				1
7	13341508	SPRING				1
8	SM4041655SP	SCREW M4 L=16				1
9	WP0961046SC	WASHER 9.6X16X1				1
10	13340252	THREAD TENSION ASSY				1
11	13340500	TENSION DISC EYELET		*		2
12	B3121804000	TENSION SPRING		*		2
13	13341706	KNOB		*		2
14	13340203	TENSION POST SUPPORT		*		1
15	13340302	SHOULDER SCREW		*		1
16	B2008372000	THREAD TENSION SPRING		*		1
17	13340401	TENSION DISC SEPARATOR		*		1
18	13341607	TENSION_DISC_EYELET_2		*		3
19	13340609	THREAD LEAD IN GUIDE		*		5
20	13340708	SPACER		*		5
21	13340807	TENSION POST		*		5
22	22928907	THREAD TENSION DISK		*		10
23	13137609	THREAD TENSION DISK PRESSER		*		5
24	13137906	SPRING BUSHING		*		5
25	13140504	TENSION SPRING		*		3
26	13340906	KNOB GREEN		*		3
27	SM4041055SP	SCREW				2

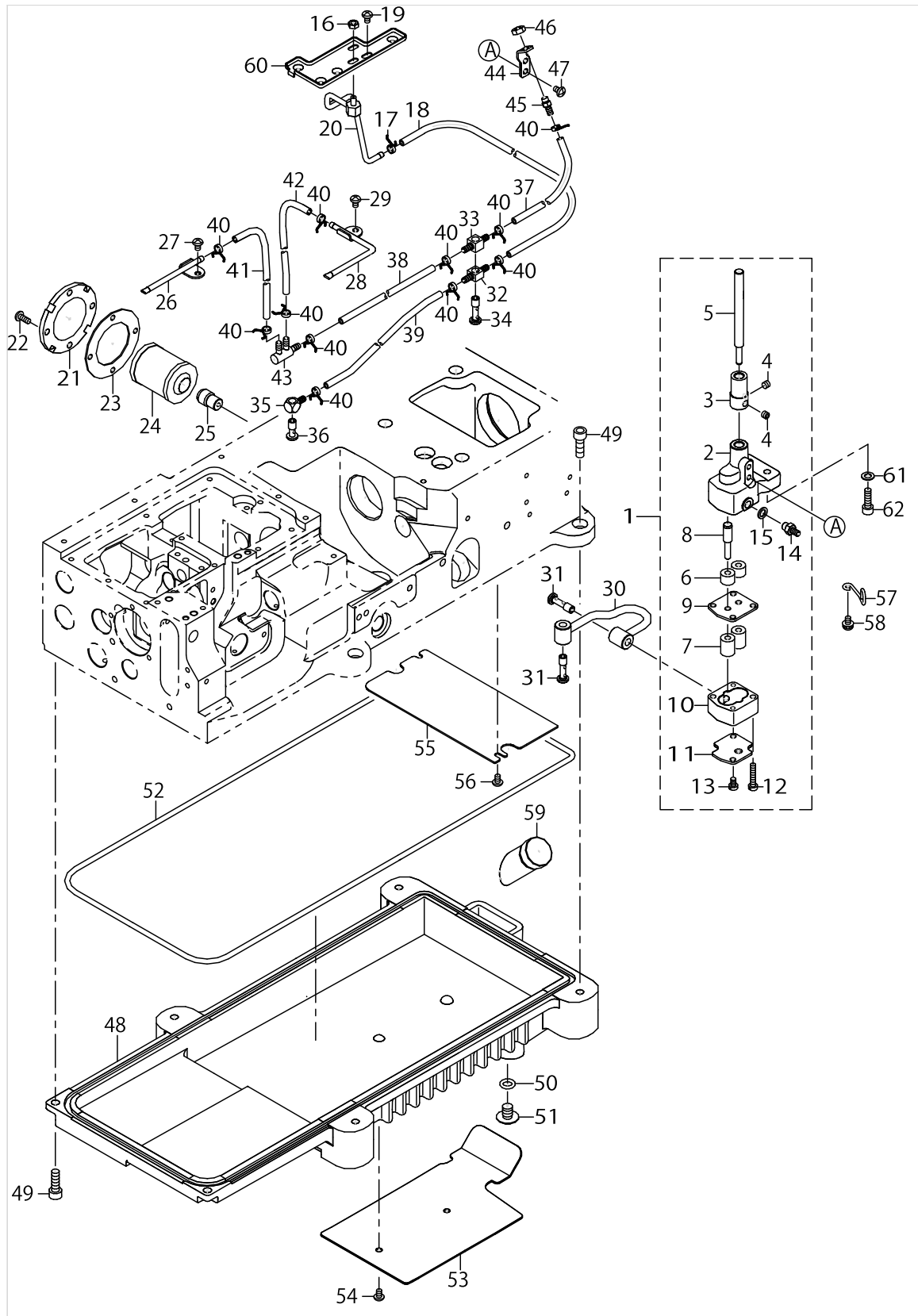
LUBRICATION COMPONENTS



LUBRICATION COMPONENTS

No.	Parts No.	Parts name	Remarks	Level	Cons	Qty
1	13345459	ASSY_PUMP_2-STAGE				1
2	13343108	OIL PUMP HOUSING		*		1
3	13343009	WORM WHEEL		*		1
4	SM8050412TP	SCREW M5 L=4		*		2
5	13345400	OIL PUMP SHAFT LARGE		*		1
6	13228309	OIL PUMP PINION		*		2
7	13228200	OIL PUMP PINION		*		2
8	13227905	GEAR PUMP SHAFT		*		1
9	13343405	OIL PUMP SPACER		*		1
10	13343207	OIL PUMP CASING		*		1
11	13343306	OIL PUMP COVER		*		1
12	SM6042000SP	SCREW		*		2
13	SM6040600SP	SCREW M4 L=6		*		2
14	SQ2060451MZ	CONNECTING SCREW		*		1
15	40004749	GASKET		*		1
16	NM6040001SP	NUT M4X0.7				1
17	23629306	PIPE STOPPER A				1
18	BP30000010R	VINYL PIPE				0.5
19	SM4040655SP	SCREW M4 L=6				2
20	13345053	ASSY_OIL_SUPPLY_FOR_TOP				1
21	13345202	FILTER_COVER				1
22	SM4041055SP	SCREW				4
23	13344809	GASKET O				1
24	13142500					1
25	13343801	FITTING FILTER				1
26	13346556	ASSY_OIL_SUPPLY				1
27	SM4040655SP	SCREW M4 L=6				1
28	13345855	OIL SUPPLY ASSY				1
29	SM4040655SP	SCREW M4 L=6				1
30	13346259	ASSY_OIL_PIPE				1
31	SQ2060442SD	CONNECTING SCREW				2
32	SQ0000454MZ	CONNECTING SCREW				1
33	SQ0000453MZ	CONNECTING SCREW				1
34	SQ2060442SD	CONNECTING SCREW				1
35	SQ0000452MZ	CONNECTING SCREW				1
36	SQ2060441SD	CONNECTING SCREW				1
37	BP30000010R	VINYL PIPE				0.14
38	BP30000010R	VINYL PIPE				0.12
39	BP30000010R	VINYL PIPE				0.19
40	23629306	PIPE STOPPER A				11
41	BP30000010R	VINYL PIPE				0.13
42	BP30000010R	VINYL PIPE				0.11
43	23629504	DISTRIBUTOR				1
44	13346705	CONNECTING_SCR_BRACKET				1
45	SQ2050452MZ	CONNECTING SCREW				1
46	NM6050001SP	NUT M5				1
47	SM4040655SP	SCREW M4 L=6				2

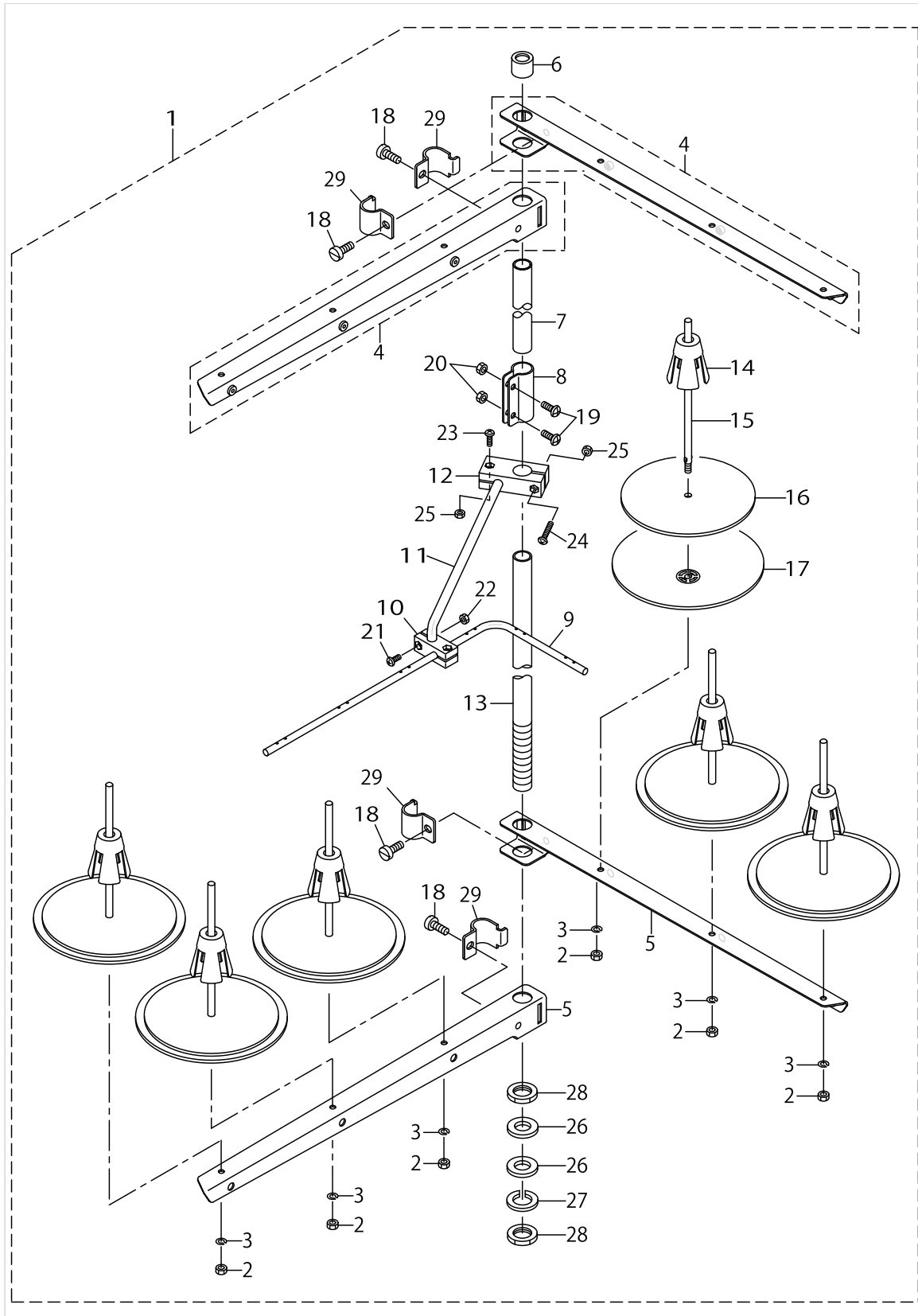
LUBRICATION COMPONENTS



LUBRICATION COMPONENTS

No.	Parts No.	Parts name	Remarks	Level	Cons	Qty
48	13345509	OIL PAN				1
49	SM6061802TP	SCREW M6 L=18				6
50	13170105	RUBBER RING				1
51	SM0081001SD	SCREW				1
52	13345608	O RING				1
53	13346309	BREEZE_PLATE				1
54	SM4040655SP	SCREW M4 L=6				2
55	13345905	COVER PLATE				1
56	SM4040655SP	SCREW M4 L=6				2
57	13346606	OIL_TUBE_HOLDER				1
58	SL4040805SC	SCREW				1
59	13346101	OIL SIGHT GAUGE				1
60	40083514	OIL SAUCER				1
61	WP0550800SP	WASHER 5.5X10X0.8				2
62	SM6051602TP	SCREW M5X0.8 L=16				2

THREAD STAND COMPONENTS

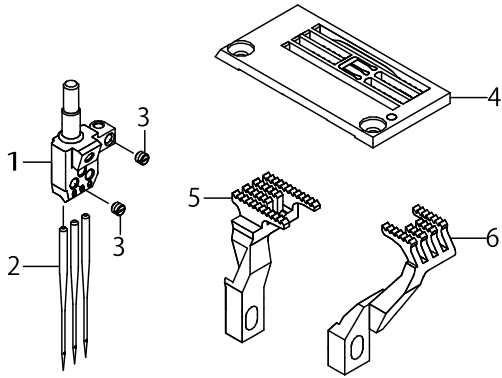


THREAD STAND COMPONENTS

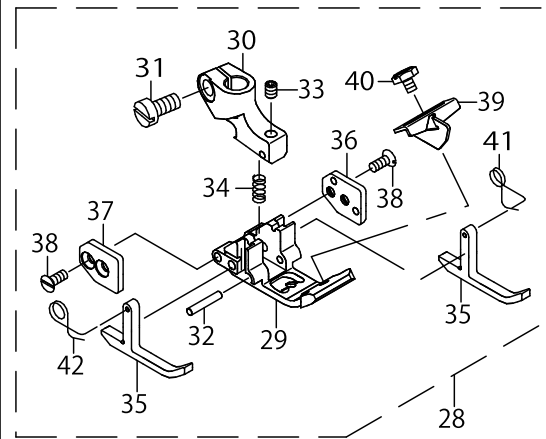
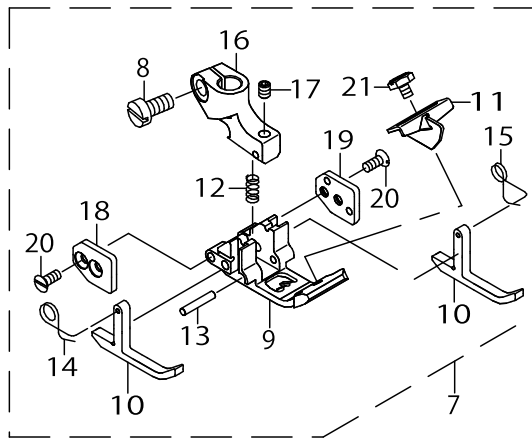
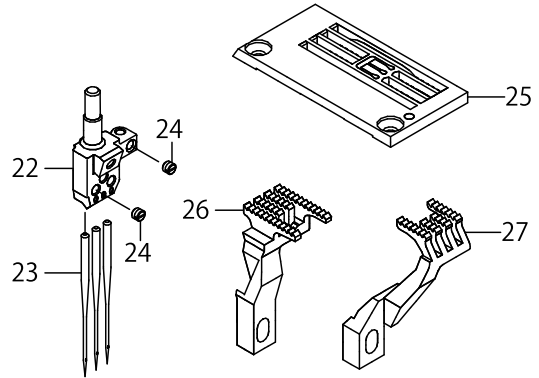
No.	Parts No.	Parts name	Remarks	Level	Cons	Qty
1	13168653	THREAD STAND ASM.				1
2	NM6050001SE	NUT M5		*		6
3	WS0510002KN	SPRING WASHER		*		6
4	13168356	THREAD STANDING ARM ASM. ,LONG		*		2
5	13168307	THREAD STANDING ARM ,LONG		*		2
6	22931406	THREAD STANDING ROD RUBBER CAP		*		1
7	22930408	THREAD STANDING ROD, UPPER		*		1
8	22931307	THREAD STANDING ROD JOINT		*		1
9	13167903	THREAD GUIDE		*		1
10	13168000	THREAD GUIDE BASE, LOWER		*		1
11	13168109	THREAD GUIDE ARM		*		1
12	13168208	THREAD GUIDE ARM BASE		*		1
13	22930309	THREAD STANDING ROD, LOWER		*		1
14	22931109	SPOOL RETAINER		*		6
15	22931000	SPOOL PIN		*		6
16	22930903	SPOOL REST CUSHION		*		6
17	22930804	SPOOL REST		*		6
18	SM6061610SC	SCREW M6 L=16		*		4
19	SM4051405SE	SCREW M5 L=14		*		2
20	NM6050001SE	NUT M5		*		2
21	SM4041001SC	SCREW M4X0.7 L=10		*		2
22	NM6040002SE	NUT M4X0.7		*		2
23	SM4041201SC	SCREW M4 L=12		*		1
24	SM4042001SC	SCREW M4 X 20		*		1
25	NM6040002SE	NUT M4X0.7		*		2
26	WP1612616SE	WASHER 16X30X2.6		*		2
27	WS1643202KR	SPRING WASHER		*		1
28	NM6160511SE	NUT M16X1.5		*		2
29	22930705	THREAD GUIDE ARM JOINT		*		4

GAUGE PARTS COMPONENTS (1) (FOR MF-7700D-U10)

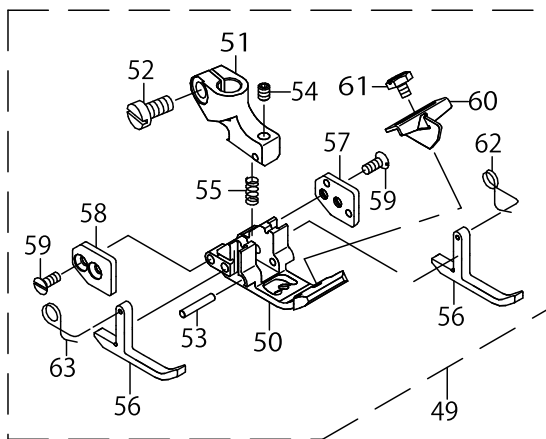
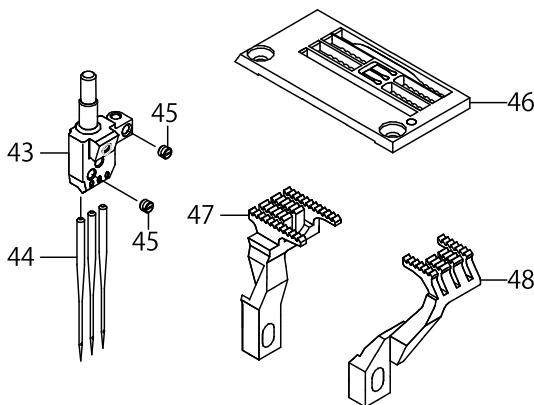
MF-7723-U10-B48



MF-7723-U10-B56
MF-7723D-U10-B56



MF-7723-U10-B64
MF-7723D-U10-B64

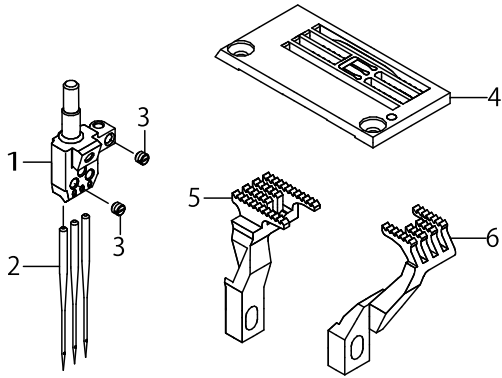


GAUGE PARTS COMPONENTS (1) (FOR MF-7700D-U10)

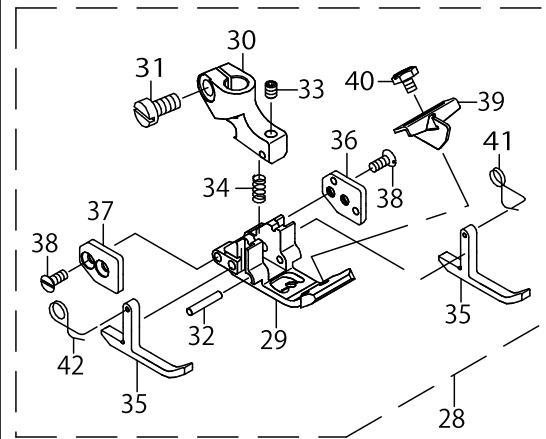
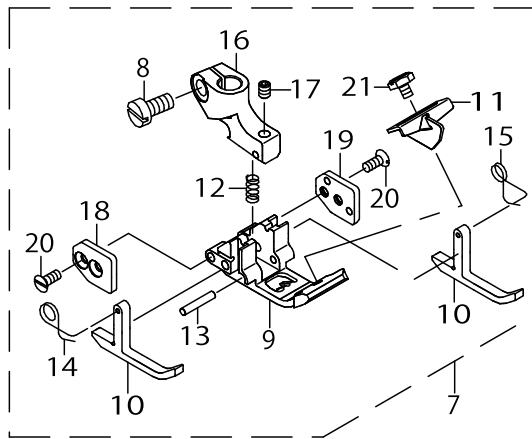
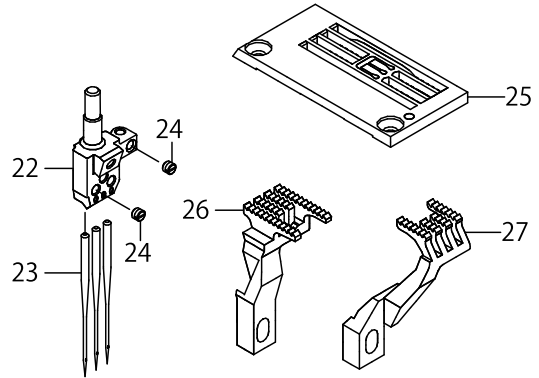
No.	Parts No.	Parts name	Remarks	Level	Cons	Qty
1	13350202	NEEDLE_HEAD_48				1
2	MUY128S1000	NEEDLE UYX128GAS #10				3
3	SM8030350TP	SCREW				4
4	40040514	THROAT PLATE				1
5	13354204	MAIN FEED DOG				1
6	13358304	DIFF_FEED_DOG				1
7	13376058	PRESSER_FOOT_ASSY				1
8	SM6040800SP	SCREW		*		1
9	13376009	PRESSER_FOOT_BOTTOM		*		1
10	13375100	P_F_YIELDING_SECTION		*		2
11	13376900	PRESSER_FOOT_GUIDE		*		1
12	13377106	SPRING		*		1
13	13375209	PIVOT_PIN		*		1
14	13375308	SPRING_L		*		1
15	13375407	SPRING_R		*		1
16	13375506	PRESSER_FOOT_HINGE		*		1
17	SM8030412TP	SCREW		*		1
18	13375605	GUIDE_PLATE_L		*		1
19	13375704	GUIDE_PLATE_R		*		1
20	SM1850600SP	SCREW		*		4
21	13377007	SCREW		*		1
22	13350301	NEEDLE_HEAD_56				1
23	MUY128S1000	NEEDLE UYX128GAS #10				3
24	SM8030350TP	SCREW				4
25	40040515	THROAT PLATE				1
26	13354204	MAIN FEED DOG				1
27	13358304	DIFF_FEED_DOG				1
28	13375050	PRESSER_FOOT_ASSY				1
29	13375001	PRESSER_FOOT_BOTTOM		*		1
30	13375506	PRESSER_FOOT_HINGE		*		1
31	SM6040800SP	SCREW		*		1
32	13375209	PIVOT_PIN		*		1
33	SM8030412TP	SCREW		*		1
34	13377106	SPRING		*		1
35	13375100	P_F_YIELDING_SECTION		*		2
36	13375704	GUIDE_PLATE_R		*		1
37	13375605	GUIDE_PLATE_L		*		1
38	SM1850600SP	SCREW		*		4
39	13376900	PRESSER_FOOT_GUIDE		*		1
40	13377007	SCREW		*		1
41	13375407	SPRING_R		*		1
42	13375308	SPRING_L		*		1
43	13350400	NEEDLE_HEAD_64				1
44	MUY128S1000	NEEDLE UYX128GAS #10				3
45	SM8030350TP	SCREW				4
46	40040513	THROAT PLATE				1
47	13353701	MAIN_FEED_DOG				1

GAUGE PARTS COMPONENTS (1) (FOR MF-7700D-U10)

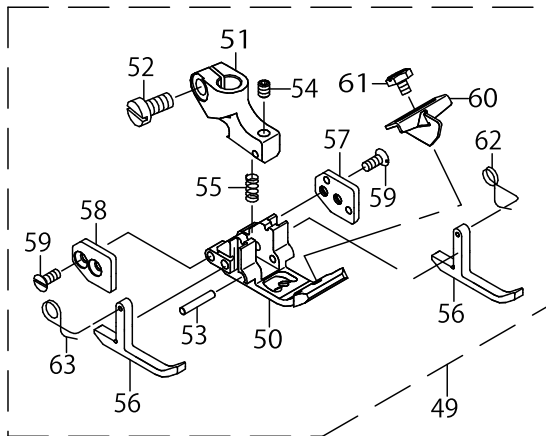
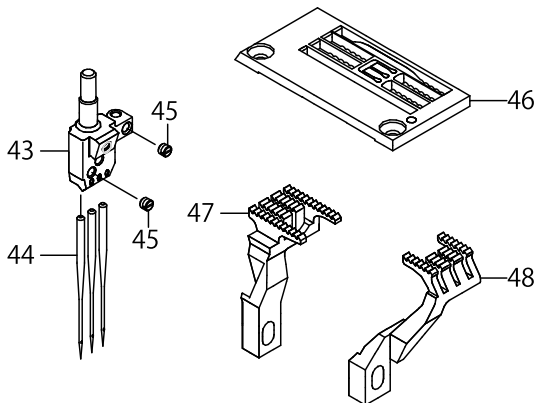
MF-7723-U10-B48



MF-7723-U10-B56
MF-7723D-U10-B56



MF-7723-U10-B64
MF-7723D-U10-B64

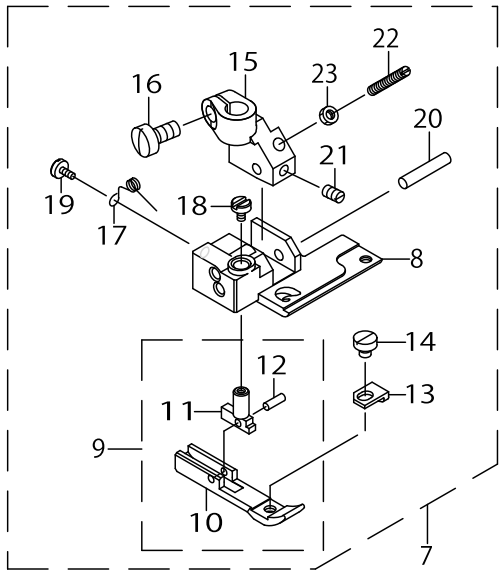
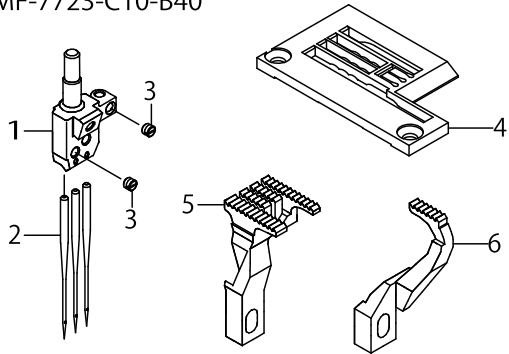


GAUGE PARTS COMPONENTS (1) (FOR MF-7700D-U10)

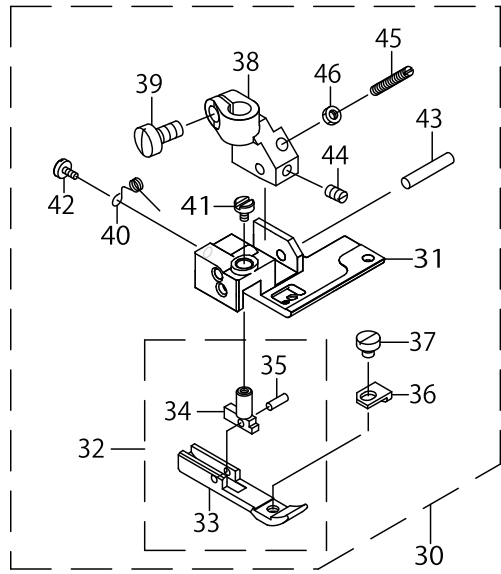
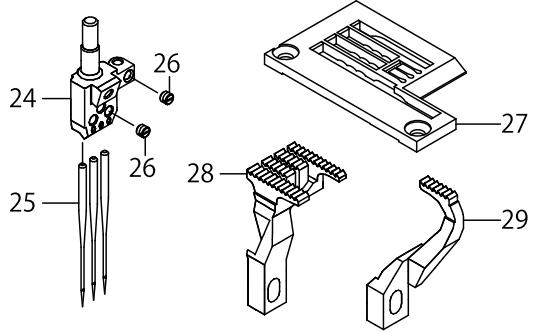
No.	Parts No.	Parts name	Remarks	Level	Cons	Qty
48	13357603	DIFF_FEED_DOG				1
49	13375050	PRESSER_FOOT_ASSY				1
50	13375001	PRESSER_FOOT_BOTTOM		*		1
51	13375506	PRESSER_FOOT_HINGE		*		1
52	SM6040800SP	SCREW		*		1
53	13375209	PIVOT_PIN		*		1
54	SM8030412TP	SCREW		*		1
55	13377106	SPRING		*		1
56	13375100	P_F_YIELDING_SECTION		*		2
57	13375704	GUIDE_PLATE_R		*		1
58	13375605	GUIDE_PLATE_L		*		1
59	SM1850600SP	SCREW		*		4
60	13376900	PRESSER_FOOT_GUIDE		*		1
61	13377007	SCREW		*		1
62	13375407	SPRING_R		*		1
63	13375308	SPRING_L		*		1

GAUGE PARTS COMPONENTS (2) (FOR MF-7700-C10)

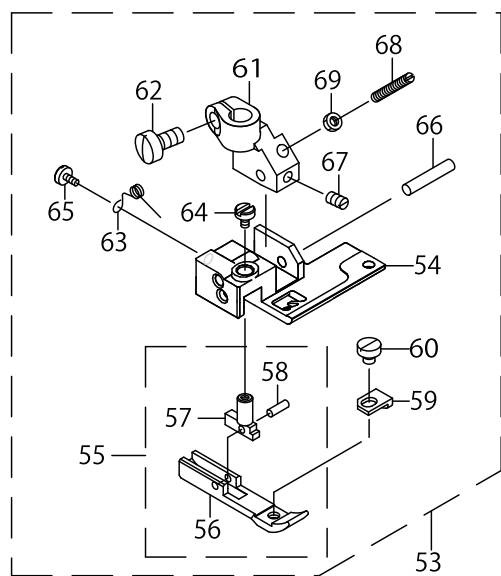
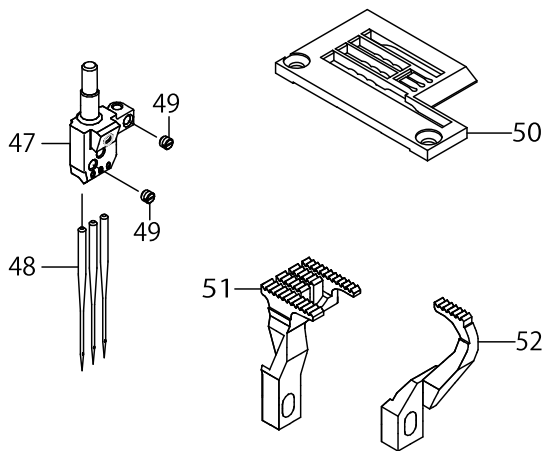
MF-7723-C10-B40



MF-7723-C10-B56



MF-7723-C10-B64

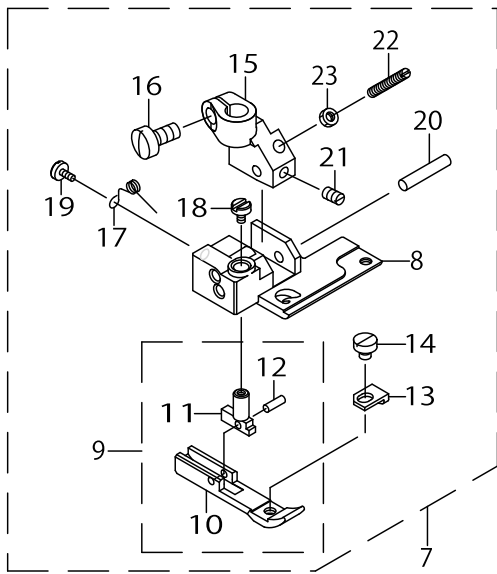
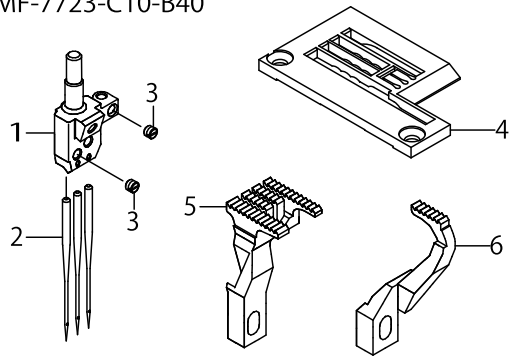


GAUGE PARTS COMPONENTS (2) (FOR MF-7700-C10)

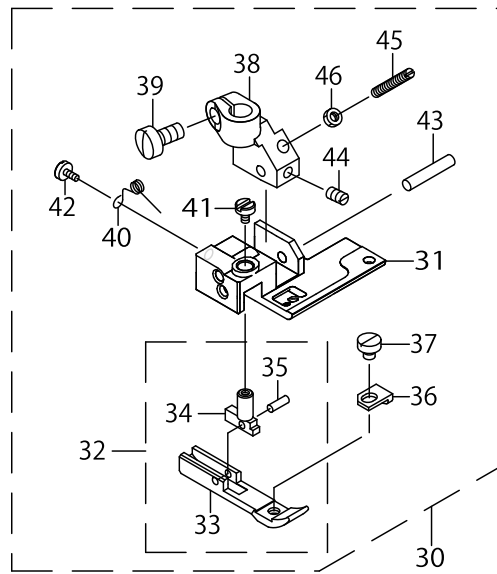
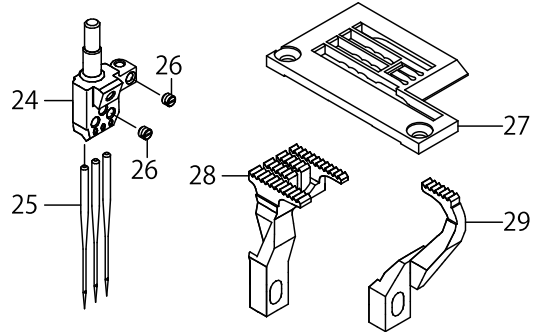
No.	Parts No.	Parts name	Remarks	Level	Cons	Qty
1	13350103	NEEDLE_HEAD_40				1
2	MUY128S1000	NEEDLE UYX128GAS #10				2
3	SM8030350TP	SCREW				3
4	13351408	THROAT_PLATE				1
5	13353800	MAIN_FEED_DOG				1
6	13357702	DIFF_FEED_DOG				1
7	13376157	PRESSER_FOOT_ASSEMBLY				1
8	13376108	PRESSER_FOOT_BOTTOM		*		1
9	13376355	YIELDING_SECTION_ASSEMBLY		*		1
10	13376306	YIELDING_SECTION		*		1
11	13377205	YIELDING_SECTION_SHANK		*		1
12	13377304	PIVOT_PIN		*		1
13	13376405	PRESSER_FOOT_GUIDE		*		1
14	SM6030350SD	SCREW M3 L=2.9		*		1
15	13376504	PRESSER_FOOT_SHANK		*		1
16	SM7040800SL	SCREW		*		1
17	13376603	YIELDING_SECTION_SPRING		*		1
18	13376702	THREAD_SPRING_SCREW		*		1
19	SM4030455SP	SCREW		*		1
20	PH0300164C0	PARALLEL PIN 3X16		*		1
21	SM8030500SP	SCREW		*		1
22	13376801	SCREW_FOR_PRESSER_FOOT		*		1
23	NM6030001SD	NUT M3X0.5		*		1
24	13350301	NEEDLE_HEAD_56				1
25	MUY128S1000	NEEDLE UYX128GAS #10				3
26	SM8030350TP	SCREW				4
27	13351606	THROAT_PLATE				1
28	13353909	MAIN_FEED_DOG				1
29	13357801	DIFF_FEED_DOG				1
30	13376256	PRESSER_FOOT_ASSEMBLY				1
31	13376207	PRESSER_FOOT_BOTTOM		*		1
32	13376355	YIELDING_SECTION_ASSEMBLY		*		1
33	13376306	YIELDING_SECTION		*		1
34	13377205	YIELDING_SECTION_SHANK		*		1
35	13377304	PIVOT_PIN		*		1
36	13376405	PRESSER_FOOT_GUIDE		*		1
37	SM6030350SD	SCREW M3 L=2.9		*		1
38	13376504	PRESSER_FOOT_SHANK		*		1
39	SM7040800SL	SCREW		*		1
40	13376603	YIELDING_SECTION_SPRING		*		1
41	13376702	THREAD_SPRING_SCREW		*		1
42	SM4030455SP	SCREW		*		1
43	PH0300164C0	PARALLEL PIN 3X16		*		1
44	SM8030500SP	SCREW		*		1
45	13376801	SCREW_FOR_PRESSER_FOOT		*		1
46	NM6030001SD	NUT M3X0.5		*		1
47	13350400	NEEDLE_HEAD_64				1

GAUGE PARTS COMPONENTS (2) (FOR MF-7700-C10)

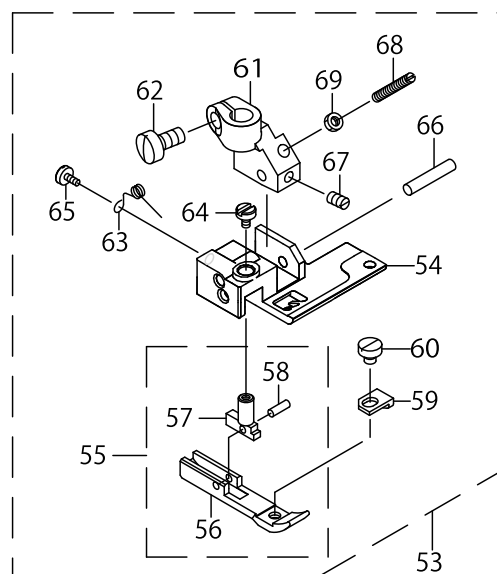
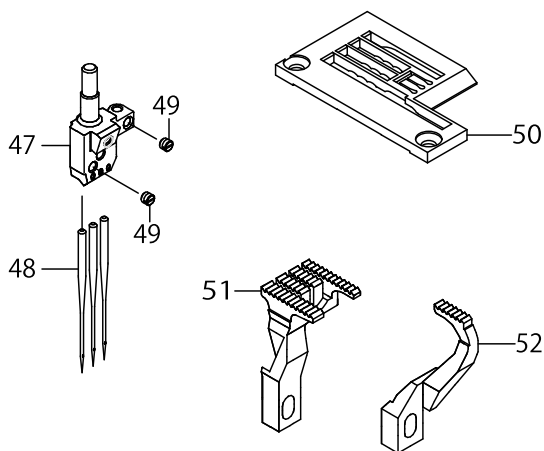
MF-7723-C10-B40



MF-7723-C10-B56



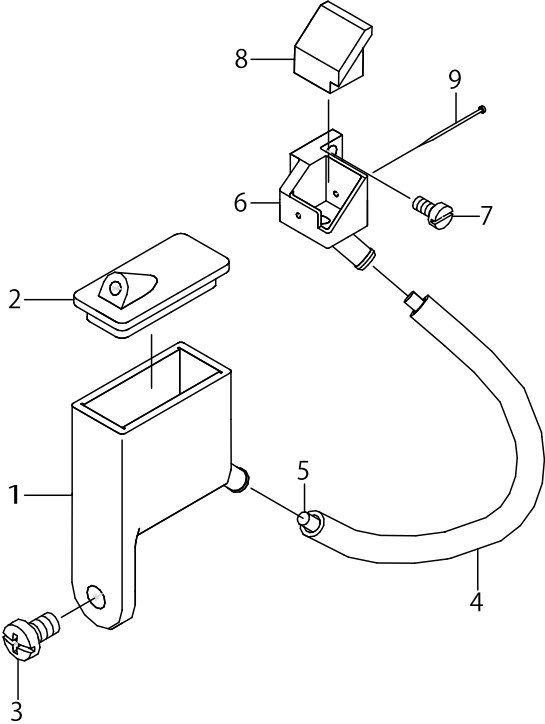
MF-7723-C10-B64



GAUGE PARTS COMPONENTS (2) (FOR MF-7700-C10)

No.	Parts No.	Parts name	Remarks	Level	Cons	Qty
48	MUY128S1000	NEEDLE UYX128GAS #10				3
49	SM8030350TP	SCREW				4
50	13351705	THROAT_PLATE				1
51	13353909	MAIN_FEED_DOG				1
52	13357801	DIFF_FEED_DOG				1
53	13376256	PRESSER_FOOT_ASSEMBLY				1
54	13376207	PRESSER_FOOT_BOTTOM		*		1
55	13376355	YIELDING_SECTION_ASSEMBLY		*		1
56	13376306	YIELDING_SECTION		*		1
57	13377205	YIELDING_SECTION_SHANK		*		1
58	13377304	PIVOT_PIN		*		1
59	13376405	PRESSER_FOOT_GUIDE		*		1
60	SM6030350SD	SCREW M3 L=2.9		*		1
61	13376504	PRESSER_FOOT_SHANK		*		1
62	SM7040800SL	SCREW		*		1
63	13376603	YIELDING_SECTION_SPRING		*		1
64	13376702	THREAD_SPRING_SCREW		*		1
65	SM4030455SP	SCREW		*		1
66	PH0300164C0	PARALLEL PIN 3X16		*		1
67	SM8030500SP	SCREW		*		1
68	13376801	SCREW_FOR_PRESSER_FOOT		*		1
69	NM6030001SD	NUT M3X0.5		*		1

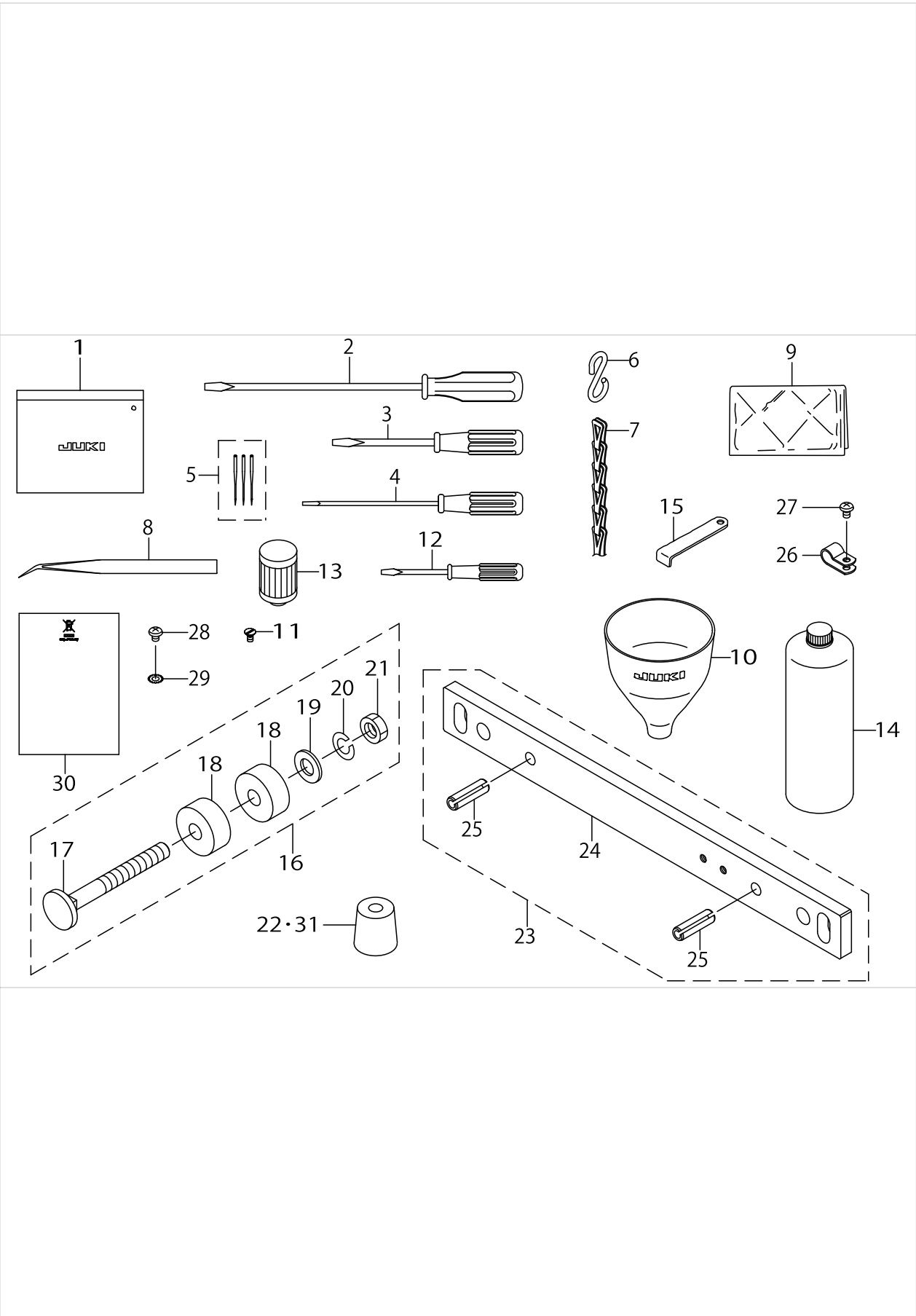
NEEDLE COOLING MECHANISM COMPONENTS



NEEDLE COOLING MECHANISM COMPONENTS

No.	Parts No.	Parts name	Remarks	Level	Cons	Qty
1	13348107	SILICONE OIL TANK				1
2	13163001	TANK COVER				1
3	SM4050855SP	SCREW				1
4	BT0600402EA	OIL TUBE				0.15
5	CQ303000000	OIL WICK				0.3
6	13348206	SILICONE OIL CUP				1
7	SM6030600SP	SCREW M3X0.5 L=6				2
8	13348305	FELT				1
9	11856101	NEEDLE COOLER PIN				1

ACCESSORIES PARTS COMPONENTS



ACCESSORIES PARTS COMPONENTS

No.	Parts No.	Parts name	Remarks	Level	Cons	Qty
1	22932800	ACCESSORIE BAG				1
2	22933006	SCREW DRIVER,LARGE				1
3	22933105	SCREW DRIVER,MIDDLE				1
4	12347308	SCREW DRIVER (SMALL)				1
5	MUY128S1003	NEEDLE UYX128GAS #10-3				1
6	13160304	S SHAPED HOOK				2
7	26037903	CHAIN				1
8	12288403	TWEEZERS				1
9	22933303	VINYL COVER				1
10	13160601	FUNNEL				1
11	13302203	SCREW				1
12	22933204	SCREW DRIVER,SMALL				1
13	13142500	CARTRIDGE_FILTER				1
14	MML018900CA	JUKI MACHINE OIL 18				1
15	B9101490000	DRIVER				1
16	13348958	ASSY_BOLT				4
17	13348909	BOLT		*		1
18	13349006	SPACER		*		2
19	WP1102016SC	WASHER 11X21X2		*		1
20	WS1002560KR	SPRING WASHER 10X18X2.5		*		1
21	NM6100003SC	NUT M10		*		1
22	13155403	DUST-PROOF RUBBER				3
23	13348859	SUPPORT_PLATE_ASSY				2
24	13348800	SUPPORT PLATE		*		1
25	PS0800252KP	SPRING PIN		*		2
26	HX00150000C	CABLE CLIP				1
27	SM4040655SP	SCREW M4 L=6				1
28	WT0430002KN	WASHER M4				1
29	SM4040501SN	SCREW M4X0.7 L=5				1
30	CM600100201	WEEE INFORMATION SHEET				1
31	40072505	ISOLATOR				1

HOW TO MAKE USE OF THIS PARTS LIST

1.As to "#01" and "#02" refer to the "Note" given at the bottom of the respective pages.

2.Codes on the "Qty" column

- Each numeral indicates the number of parts required.
- "0.1" and "2.5" indicate the length (in meters) of the respective parts.

3.Parentheses mean that the corresponding part is a subpart that constructs an assembly part.

4.Dotted lines on the Figures indicate assembly parts.

1. リストページの# 0 1、# 0 2の印は、ページ下の"注記"の説明を参照下さい。
2. 数量欄の数字は、個数を表し、0. 1、2. 5等の数値は、長さ（単位メートル）を表します。
3. 数量欄の（ ）は、組部品を構成している子部品であることを意味します。
4. イラストページの-----枠は、組構成であることを意味します。

NUMERICAL INDEX OF PARTS

PART NO	PAGE	REF NO.	PART NO	PAGE	REF NO.	PART NO	PAGE	REF NO.
10753309	6	5	13302609	2	10	13313705	14	29
11856101	56	9	13302658	2	9	13313804	14	37
12288403	58	8	13302708	4	54	13313903	14	40
12347308	58	4	13302708	6	42	13313952	14	39
13123302	16	76	13303102	6	25	13314109	14	44
13123302	22	30	13303201	6	27	13314406	16	51
13137609	40	23	13303706	6	20	13314505	16	58
13137906	40	24	13303755	6	19	13314703	16	56
13140504	40	25	13303805	6	24	13314752	16	55
13142500	42	24	13303904	6	40	13314802	16	54
13142500	58	13	13304001	8	49	13314901	16	59
13155403	58	22·31	13304209	2	41	13315007	16	49
13160304	58	6	13304308	4	52	13315106	16	61
13160601	58	10	13304308	6	44	13315205	14	47
13163001	56	2	13304704	6	21	13315304	16	63
13167903	46	9	13304803	6	14	13315353	16	62
13168000	46	10	13305008	6	16	13315502	16	67
13168109	46	11	13305107	6	41	13315551	16	66
13168208	46	12	13305206	4	49	13315601	16	72
13168307	46	5	13307004	10	1	13315650	16	71
13168356	46	4	13307103	10	2	13315700	16	73
13168653	46	1	13307251	10	4	13315809	16	74
13170105	44	50	13307301	10	7	13315908	14	30
13170402	30	35	13307459	10	9	13316203	14	41
13213012	22	27	13307509	10	42	13316302	14	34
13217401	22	33	13307905	10	27	13317003	18	1
13217500	22	32	13308002	10	28	13317102	18	8
13217708	22	28	13308101	12	53	13317201	18	16
13227905	42	8	13308150	10	44	13317300	18	19
13228200	42	7	13308200	12	58	13317409	18	20~22
13228309	42	6	13308309	10	35	13317508	18	20~22
13300801	6	8	13308457	10	39	13317607	18	20~22
13300900	2	16	13308556	10	37	13317706	18	24
13300959	2	15	13308655	12	59	13317805	20	48
13301007	2	20	13308705	12	60	13317904	18	44
13301304	2	21	13308804	10	26	13318001	18	35
13301403	2	32	13309000	10	33	13318100	18	36
13301700	2	26	13309158	10	30	13318209	18	34
13301809	2	34	13309208	10	23	13318308	18	41
13302104	2	40	13313051	14	24	13318506	20	50
13302203	6	35	13313101	14	25	13318605	22	20
13302203	58	11	13313309	14	26	13318704	22	1~3
13302302	4	57	13313408	14	27	13318803	22	1~3
13302302	6	45	13313507	14	28	13318902	22	1~3
13302401	2	35	13313606	14	33	13319009	22	10

NUMERICAL INDEX OF PARTS

PART NO	PAGE	REF NO.	PART NO	PAGE	REF NO.	PART NO	PAGE	REF NO.
13319108	20	49	13324702	26	10	13333307	32	41
13319108	22	14	13324801	26	12	13333406	32	42
13319207	22	11	13324900	26	13	13333505	32	43
13319355	22	17	13325006	26	15	13333604	32	44
13319504	22	19	13325105	26	17	13333703	32	14
13319702	18	32	13325204	26	23	13333802	32	35
13319900	22	8	13325402	26	28	13334107	36	6
13319959	22	4	13325501	26	30	13334206	36	11
13320007	22	9	13325600	26	34	13334305	36	24
13320106	22	5	13325709	26	31	13334404	36	13
13320304	22	36	13325808	28	57	13334503	36	17
13320403	22	37	13325907	28	58	13334602	36	19
13320650	22	21	13326004	28	59	13334701	36	21
13320809	22	23	13326103	28	60	13334909	36	10
13321203	22	24	13326202	28	61	13335005	36	15
13321302	22	35	13326301	28	48	13335203	36	16
13321401	18	29	13326350	26	47	13337001	12	51
13321609	18	27	13326400	28	49	13337100	10	45
13321658	18	26	13326509	28	51	13337209	12	52
13321708	18	28	13326608	28	53	13337308	38	4
13321807	20	72	13326707	28	63	13337357	38	1
13321906	20	74	13326806	14	16	13337407	38	5
13322003	20	57	13326905	26	37	13337506	38	3
13322102	20	60	13327002	26	40	13337605	38	11
13322201	20	55	13327101	26	43	13337704	38	19
13322409	18	30	13328208	30	5	13337803	38	21
13322508	20	63	13328802	30	21	13337902	38	29
13322607	20	64	13329206	30	28	13338009	38	23
13322706	20	65	13329404	30	23	13338108	38	25
13322805	20	66	13331004	32	16	13338207	38	24
13322904	20	68	13331202	32	1	13338306	38	18
13323001	20	67	13331301	32	6	13338405	38	27
13323100	18	47	13331400	32	12	13338504	38	15
13323209	22	42	13332002	32	33	13338603	38	17
13323308	18	12~14	13332101	32	38	13338702	38	8
13323407	18	12~14	13332309	32	23	13338801	38	32
13323506	18	12~14	13332507	32	3~5	13338900	30	29
13323605	20	71	13332606	32	11	13338900	38	26
13323803	18	9	13332705	34	48	13340005	40	1
13324009	10	16	13332804	32	28	13340104	40	2
13324108	12	49	13332903	32	26	13340203	40	14
13324207	10	17	13333000	32	3~5	13340252	40	10
13324306	26	3	13333109	32	3~5	13340302	40	15
13324504	26	5	13333208	14	42	13340401	40	17
13324603	26	8	13333208	32	25	13340500	40	11

NUMERICAL INDEX OF PARTS

PART NO	PAGE	REF NO.	PART NO	PAGE	REF NO.	PART NO	PAGE	REF NO.
13340609	40	19	13351408	52	4	13376504	52	61
13340708	40	20	13351606	52	27	13376504	54	61
13340807	40	21	13351705	54	50	13376603	52	63
13340906	40	26	13353701	48	47	13376603	54	63
13341359	40	5	13353800	52	5	13376702	52	64
13341409	40	6	13353909	52	51	13376702	54	64
13341508	40	7	13353909	54	51	13376801	52	68
13341607	40	18	13354204	48	26	13376801	54	68
13341706	40	13	13357603	50	48	13376900	48	60
13343009	42	3	13357702	52	6	13376900	50	60
13343108	42	2	13357801	52	52	13377007	48	61
13343207	42	10	13357801	54	52	13377007	50	61
13343306	42	11	13358304	48	27	13377106	48	55
13343405	42	9	13375001	48	50	13377106	50	55
13343801	42	25	13375001	50	50	13377205	52	57
13344809	42	23	13375050	48	49	13377205	54	57
13345053	42	20	13375050	50	49	13377304	52	58
13345202	42	21	13375100	48	56	13377304	54	58
13345400	42	5	13375100	50	56	13398409	22	16
13345459	42	1	13375209	48	53	13399209	30	8
13345509	44	48	13375209	50	53	13409800	4	48
13345608	44	52	13375308	48	63	13411806	30	12
13345855	42	28	13375308	50	63	13426903	6	32
13345905	44	55	13375407	48	62	22901805	2	12
13346101	44	59	13375407	50	62	22902506	2	17
13346259	42	30	13375506	48	51	22924708	6	7
13346309	44	53	13375506	50	51	22928907	40	22
13346556	42	26	13375605	48	58	22930309	46	13
13346606	44	57	13375605	50	58	22930408	46	7
13346705	42	44	13375704	48	57	22930705	46	29
13348008	26	18	13375704	50	57	22930804	46	17
13348107	56	1	13376009	48	9	22930903	46	16
13348206	56	6	13376058	48	7	22931000	46	15
13348305	56	8	13376108	52	8	22931109	46	14
13348800	58	24	13376157	52	7	22931307	46	8
13348859	58	23	13376207	52	54	22931406	46	6
13348909	58	17	13376207	54	54	22932800	58	1
13348958	58	16	13376256	52	53	22933006	58	2
13349006	58	18	13376256	54	53	22933105	58	3
13350103	52	1	13376306	52	56	22933204	58	12
13350202	48	1	13376306	54	56	22933303	58	9
13350301	48	22	13376355	52	55	22945505	28	52
13350301	52	24	13376355	54	55	22945802	28	50
13350400	48	43	13376405	52	59	23612609	26	9
13350400	52	47	13376405	54	59	23629306	42	40

NUMERICAL INDEX OF PARTS

PART NO	PAGE	REF NO.	PART NO	PAGE	REF NO.	PART NO	PAGE	REF NO.
23629504	42	43	40078305	14	5	BT0600402EA	56	4
26037903	58	7	40078306	14	7	CM300200001	2	13
30391601	26	24	40078307	14	46	CM3002000A1	2	11
31013808	22	39	40078309	30	11	CM301200001	6	2
40004573	30	31	40078310	30	7	CM600100201	58	30
40004749	42	15	40078311	30	13	CQ303000000	18	23
40018259	14	31	40078312	30	16	CQ303000000	22	43
40018443	22	38	40078313	30	17	CQ303000000	56	5
40018923	36	5	40078314	30	18	CS0800881TP	16	52
40018946	6	11	40078316	30	25	CS1000881TP	20	61
40018947	36	1	40078317	14	18	CS1000881TP	22	40
40019335	32	21	40078318	30	1	CS1000881TP	26	6
40020538	32	15	40078319	30	4	CS1000881TP	30	19
40023042	32	34	40078320	16	78	CS1000881TP	32	17
40023441	32	20	40081402	30	10	HX00150000C	58	26
40023481	32	19	40081954	6	3	MML018900CA	58	14
40033340	2	24	40081956	6	6	MUY128S1000	48	44
40033341	2	25	40081965	12	63	MUY128S1000	52	48
40033518	2	23	40083514	44	60	MUY128S1000	54	48
40040513	48	46	40083520	30	3	MUY128S1003	58	5
40040514	48	4	40099363	2	46	NM6030001SD	52	69
40040515	48	25	40099365	6	13	NM6030001SD	54	69
40072505	58	22-31	40099367	6	37	NM6030001SN	32	45
40078277	10	22	40099369	2	47	NM6040001SP	2	44
40078278	12	55~57	40099370	6	29	NM6040001SP	42	16
40078279	12	55~57	40099371	4	58	NM6040002SE	46	25
40078280	12	55~57	40099372	6	15	NM6050001SE	46	20
40078282	12	62	40099373	4	61	NM6050001SP	18	43
40078283	10	13	40099374	4	60	NM6050001SP	28	54
40078284	10	18	40099536	6	12	NM6050001SP	30	27
40078285	14	2	40099537	6	28	NM6050001SP	38	14
40078290	14	3	40099538	2	45	NM6050001SP	42	46
40078291	14	10	40099539	6	36	NM6060001CP	16	69
40078292	14	4	B1426180A00	18	3~6	NM6100003SC	58	21
40078293	14	1	B1426180B00	18	3~6	NM6160511SE	46	28
40078293	30	33	B1426180C00	18	3~6	PH0300164C0	52	66
40078294	14	13	B1426180D00	18	3~6	PH0300164C0	54	66
40078295	14	14	B2008372000	40	16	PS0150082KH	26	21
40078296	14	21	B2556280000	20	54	PS0300162KH	18	45
40078299	14	19	B3121804000	40	12	PS0400082KP	10	34
40078300	14	20	B3215470000	18	39	PS0500142KP	16	60
40078301	14	11	B9101490000	58	15	PS0800252KP	58	25
40078302	14	6	B9213850000	26	19	RC0100001KP	22	13
40078303	14	8	B9214850000	26	20	RC0650811KP	36	14
40078304	14	12	BP30000010R	42	42	RC0741013KP	22	15

NUMERICAL INDEX OF PARTS

PART NO	PAGE	REF NO.	PART NO	PAGE	REF NO.	PART NO	PAGE	REF NO.
RC1900002KP	6	33	SM4030655SP	26	45	SM6040800SP	12	48
RC2251213KP	18	7	SM4030855SN	26	26	SM6040800SP	20	76
RC2800002KP	32	9	SM4040501SN	58	29	SM6040800SP	28	56
RC4381514KP	2	2	SM4040655SP	2	56	SM6040800SP	30	24
RC4881514KP	2	1	SM4040655SP	4	56	SM6040800SP	36	20
RE0300000K0	4	50	SM4040655SP	6	47	SM6040800SP	48	52
RE0300000K0	6	38	SM4040655SP	26	62	SM6040800SP	50	52
RE0300000K0	16	77	SM4040655SP	28	62	SM6041000SP	14	38
RE0300000K0	22	31	SM4040655SP	32	29	SM6041000SP	18	70
RE0500000K0	18	42	SM4040655SP	40	4	SM6041000SP	20	70
RE0700000K0	36	8	SM4040655SP	42	56	SM6041000SP	38	20
RE0700000K0	38	10	SM4040655SP	44	56	SM6041002TP	6	50
RO044530010	12	61	SM4040655SP	58	27	SM6041002TP	8	50
RO055200100	18	38	SM4040855SP	12	54	SM6041200SP	14	43
RO068190100	22	22	SM4041001SC	46	21	SM6041200SP	30	22
RO137230100	20	58	SM4041055SP	2	42	SM6041202TP	10	14
RO148240200	10	41	SM4041055SP	6	48	SM6041202TP	16	64
RO148240200	36	25	SM4041055SP	8	48	SM6041202TP	36	3
RO158240100	18	11	SM4041055SP	26	14	SM6041202TP	38	2
RO195240100	6	10	SM4041055SP	40	27	SM6042000SP	42	12
SB108002100	32	8	SM4041055SP	42	22	SM6050800SP	6	34
SB120001500	36	23	SM4041201SC	46	23	SM6050800SP	36	18
SB120001900	10	19	SM4041655SP	40	8	SM6051000SP	14	15
SD0640246SP	2	30	SM4042001SC	46	24	SM6051002TP	26	1
SD0640246SP	32	30	SM4050855SP	2	37	SM6051202TP	16	57
SD0700206TP	14	45	SM4050855SP	56	3	SM6051400SP	2	38
SD0700586TP	16	65	SM4051055SP	10	46	SM6051402TP	26	11
SD0801326TH	18	33	SM4051255SP	2	14	SM6051402TP	38	28
SL4040805SC	4	64	SM4051255SP	20	52	SM6051602TP	18	18
SL4040805SC	44	58	SM4051255SP	22	34	SM6051602TP	44	62
SL4041281SC	32	24	SM4051405SE	46	19	SM6060800SP	2	31
SM0081001SD	44	51	SM4850455SP	26	42	SM6060800SP	16	50
SM1030400SP	20	69	SM4850455SP	32	47	SM6061002TP	16	48
SM1030800SM	32	10	SM4850455SP	36	22	SM6061200SP	10	25
SM1040800SP	6	18	SM5040655SN	22	26	SM6061202TP	16	70
SM1040800SP	26	46	SM5050855SN	4	62	SM6061202TP	22	18
SM1041400SP	6	22	SM6030350SD	52	60	SM6061402TP	10	47
SM1850600SP	48	59	SM6030350SD	54	60	SM6061402TP	22	6
SM1850600SP	50	59	SM6030500SN	14	36	SM6061402TP	30	6
SM4030455SN	2	28	SM6030600SP	4	59	SM6061610SC	46	18
SM4030455SP	14	32	SM6030600SP	22	7	SM6061802TP	44	49
SM4030455SP	26	33	SM6030600SP	56	7	SM7040800SL	52	62
SM4030455SP	52	65	SM6040600SP	42	13	SM7040800SL	54	62
SM4030455SP	54	65	SM6040750TP	38	30	SM8030350TP	26	25
SM4030655SP	14	17	SM6040800SP	6	26	SM8030350TP	48	45

NUMERICAL INDEX OF PARTS

PART NO	PAGE	REF NO.	PART NO	PAGE	REF NO.	PART NO	PAGE	REF NO.
SM8030350TP	52	49	SQ0000454MZ	42	32	WS0510002KN	28	64
SM8030350TP	54	49	SQ2050452MZ	42	45	WS0510002KN	46	3
SM8030412TP	48	54	SQ2060441SD	42	36	WS0510002KP	12	50
SM8030412TP	50	54	SQ2060442SD	42	34	WS0510002KP	26	2
SM8030500SP	52	67	SQ2060451MZ	42	14	WS1002560KR	58	20
SM8030500SP	54	67	ST4040851SN	26	22	WS1643202KR	46	27
SM8040360TP	4	55	TA0500601M0	22	45	WT0430002KN	58	28
SM8040360TP	6	46	TA0500601M0	38	16	WZ0641510KP	2	27
SM8040410TP	14	35	TA0600401R0	30	32	WZ0641510KP	32	31
SM8040410TP	30	9	TA0850604R0	6	43	WZ1052010KP	14	23
SM8040412TP	2	3	TA1050504R0	2	18			
SM8040412TP	18	40	TA1250406R0	2	5			
SM8040412TP	36	4	TA1600406R0	36	7			
SM8040602TP	18	37	TA1600406R0	38	7			
SM8040612TP	20	59	TA1701002R0	2	6			
SM8050412TP	16	53	TA2050406R0	2	4			
SM8050412TP	18	62	TA2050416R0	2	8			
SM8050412TP	20	62	TA2101002R0	2	7			
SM8050412TP	22	48	TA2351004R0	6	9			
SM8050412TP	24	48	WP0280500SC	32	46			
SM8050412TP	26	7	WP0280501SC	26	41			
SM8050412TP	30	20	WP0280501SC	32	36			
SM8050412TP	32	18	WP0320501SC	26	44			
SM8050412TP	36	12	WP0410516SD	32	32			
SM8050412TP	42	4	WP0450826SC	22	25			
SM8050612TP	38	12	WP0450826SC	28	55			
SM8050812TP	18	73	WP0460556SD	16	75			
SM8050812TP	20	73	WP0460556SD	22	29			
SM8060412TP	30	34	WP0461516SH	38	22			
SM8060552TP	18	56	WP0480856SP	20	75			
SM8060552TP	20	56	WP0522016SH	26	4			
SM8060552TP	22	46	WP0550800SP	4	51			
SM8060552TP	32	22	WP0550800SP	6	39			
SM8060612TP	10	43	WP0550800SP	30	26			
SM8060612TP	30	15	WP0550800SP	38	13			
SM8060612TP	36	2	WP0550800SP	44	61			
SM8060612TP	38	31	WP0550836SC	4	63			
SM8060812TP	10	36	WP0621016SD	22	47			
SM8060842TP	10	31	WP0702026SP	14	22			
SM8061212TP	10	29	WP0961046SC	40	9			
SM8080812TP	10	24	WP1021026SH	36	9			
SM9061050TP	30	14	WP1021026SH	38	9			
SM9062550TP	16	68	WP1022016SH	30	30			
SQ0000452MZ	42	35	WP1102016SC	58	19			
SQ0000453MZ	42	33	WP1612616SE	46	26			