

MODEL : AE-9/AE-12/AE-16/AE-17

List No : 1366-03

# PARTS LIST

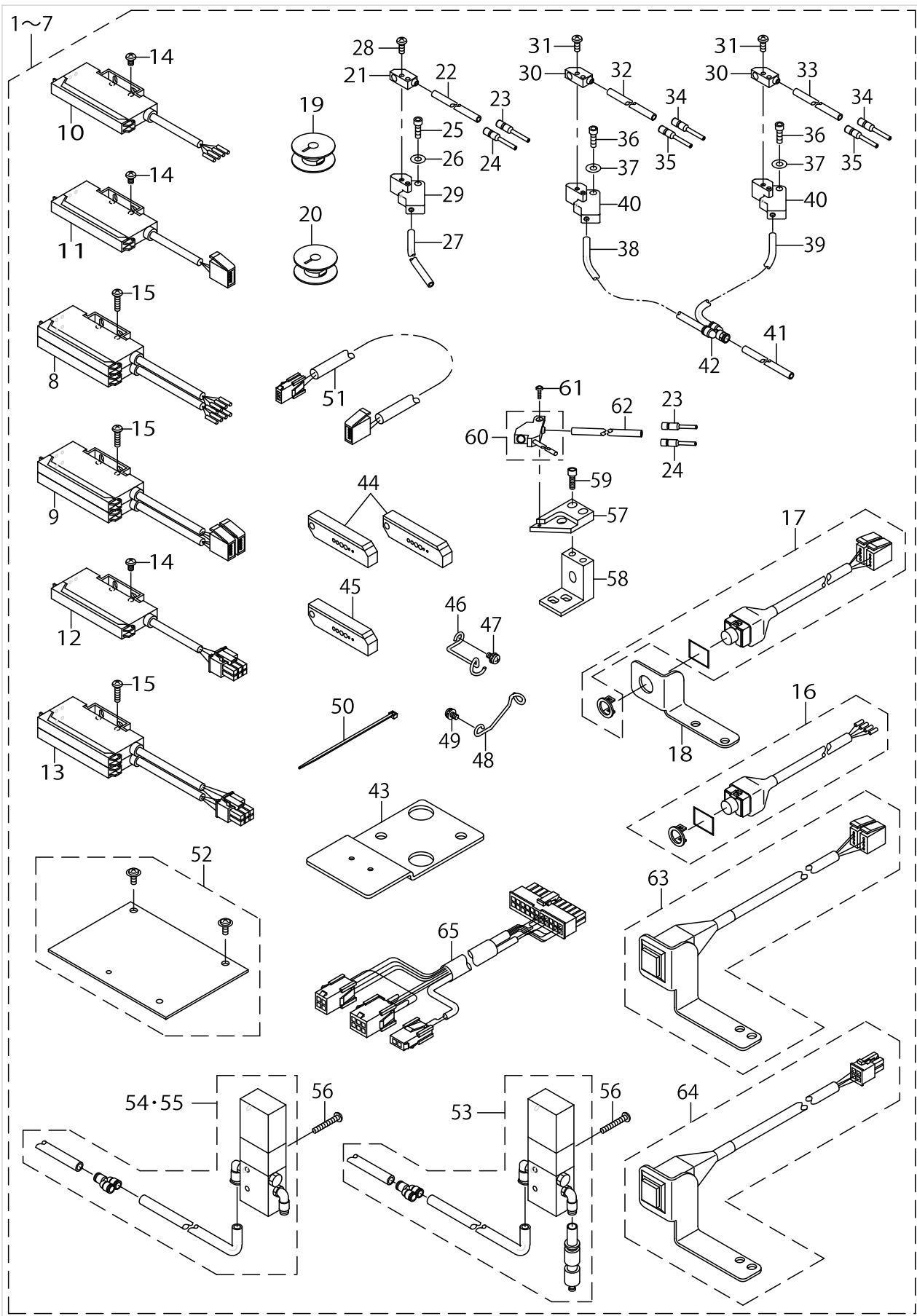
Published:09/10/2017

## CONTENTS

---

BOBBIN THREAD REMAINING AMOUNT DETECTING DEVICE.....	1
HOW TO MAKE USE OF THIS PARTS LIST .....	5

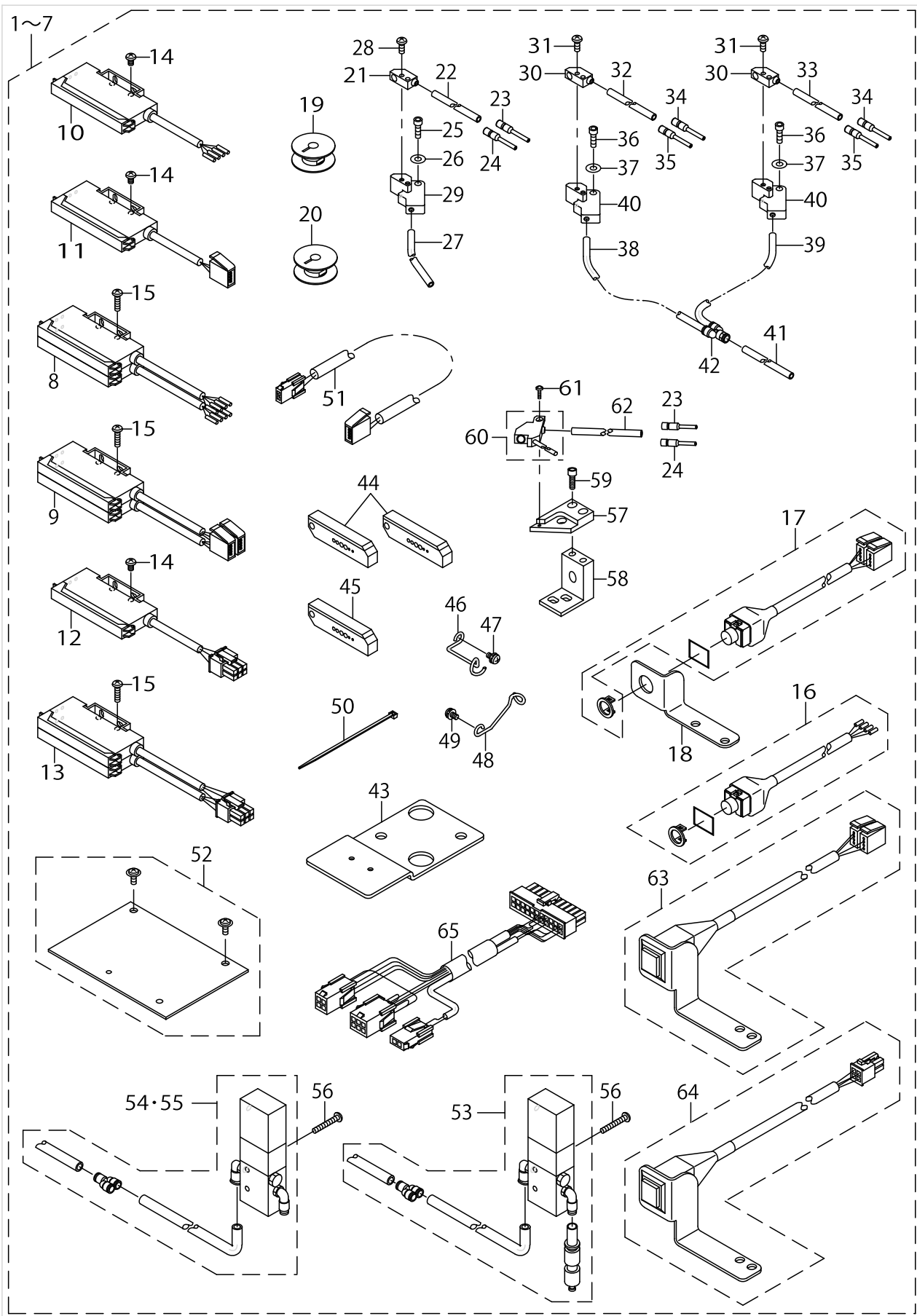
BOBBIN THREAD REMAINING AMOUNT DETECTING DEVICE



## BOBBIN THREAD REMAINING AMOUNT DETECTING DEVICE

No.	Parts No.	Parts name	Remarks	Level	Cons	Qty
1	GAE09000EA0	DETECTING DEVICE KIT E	FOR AE-9 E SET			1
2	GAE09000FA0	DETECTING DEVICE KIT F	FOR AE-9 F SET			1
3	40029099	DETECTING DEVICE KIT G	FOR AE-9 G SET			1
4	40029100	DETECTING DEVICE KIT H	FOR AE-9 H SET			1
5	40105219	DETECTING DEVICE KIT A	FOR AE-16 A SET			1
6	40105220	DETECTING DEVICE KIT B	FOR AE-16 B SET			1
7	40105221	DETECTING DEVICE KIT	FOR AE-17			1
8	GAE090110B0	SENSOR AMPLIFIER D ASM.	FOR AE-9 F SET	*		1
9	40028571	SENSOR AMPLIFIER E ASM.	FOR AE-9 H SET	*		2
10	GAE090110A0	SENSOR AMPLIFIER C ASM.	FOR AE-9 E SET	*		1
11	40028571	SENSOR AMPLIFIER E ASM.	FOR AE-9 G SET,AE-12	*		1
12	40102071	SENSOR AMPLIFIER A ASM.	FOR AE-16 A SET,AE-17	*		1
13	40102072	SENSOR AMPLIFIER B ASM.	FOR AE-16 B SET	*		2
14	SM4030501SC	SCREW M3X0.5 L=5	FOR AE-9 E,G SET,AE-12, AE-16 A SET,AE-17	*		2
15	SM4031201SC	SCREW M3X0.5 L=12		*		4
16	GAE090100A0	DETECTING SWITCH B ASM.	FOR AE-9 E,F SET	*		1
17	40028570	DETECTING SWITCH C ASM.	FOR AE-9 G,H SET	*		1
18	GAE10104000	SWITCHI BRACKET	FOR AE-9	*		1
19	40018350	ALUMINUM BOBBIN A	FOR AE-9 E,G SET,AE-12, AE-16 A SET,AE-17	*		2
20	40018350	ALUMINUM BOBBIN A	FOR AE-9 F,H SET,AE-16 B SET	*		4
21	GAE10107000	FIBER SENSOR	FOR AE-9 E,G SET,AE-16 A SET	*		1
22	BT0400251EB	URETHANE HOSE, BLACK	FOR AE-9 E,G SET,AE-16 A SET	*		1.7
23	GAE10117000	FIBER ADAPTER A	FOR AE-9 E,G SET,AE-12, AE-16 A SET,AE-17	*		1
24	GAE10118000	FIBER ADAPTER B	FOR AE-9 E,G SET,AE-12, AE-16 A SET,AE-17	*		1
25	SM6031002TP	SCREW M3X0.5 L=10	FOR AE-9 E,G SET,AE-16 A SET	*		1
26	WP0430800SC	WASHER M4	FOR AE-9 E,G SET,AE-16 A SET	*		1
27	BT0400251EB	URETHANE HOSE, BLACK	FOR AE-9 E,G SET,AE-16 A SET	*		1.7
28	SM4860801SC	SCREW M2.6 L=8	FOR AE-9 E,G SET,AE-16 A SET	*		2
29	GAE090050A0	SENSOR FITTING BASE ASM.	FOR AE-9 E,G SET,AE-16 A SET	*		1
30	GAE10107000	FIBER SENSOR	FOR AE-9 F,H SET,AE-16 B SET	*		2
31	SM4860801SC	SCREW M2.6 L=8	FOR AE-9 F,H SET,AE-16 B SET	*		4
32	BT0400251EB	URETHANE HOSE, BLACK	FOR AE-9 F,H SET,AE-16 B SET	*		1.7
33	BT0400251EB	URETHANE HOSE, BLACK	FOR AE-9 F,H SET,AE-16 B SET	*		1.7
34	GAE10117000	FIBER ADAPTER A	FOR AE-9 F,H SET,AE-16 B SET	*		2
35	GAE10118000	FIBER ADAPTER B	FOR AE-9 F,H SET,AE-16 B SET	*		2
36	SM6031002TP	SCREW M3X0.5 L=10	FOR AE-9 F,H SET,AE-16 B SET	*		2
37	WP0430800SC	WASHER M4	FOR AE-9 F,H SET,AE-16 B SET	*		2
38	BT0400251EB	URETHANE HOSE, BLACK	FOR AE-9 F,H SET,AE-16 B SET	*		0.45
39	BT0400251EB	URETHANE HOSE, BLACK	FOR AE-9 F,H SET,AE-16 B SET	*		0.23
40	GAE090050A0	SENSOR FITTING BASE ASM.	FOR AE-9 F,H SET,AE-16 B SET	*		2
41	BT0400251EB	URETHANE HOSE, BLACK	FOR AE-9 F,H SET,AE-16 B SET	*		1.7
42	PJ308040002	QUICK COUPLING	FOR AE-9 F,H SET,AE-16 B SET	*		1
43	GAE09009000	AMPLIFIER FITTING PLATE		*		1
44	GAE10116000	F CUTTER	FOR AE-9 F,H SET,AE-16 B SET	*		2
45	GAE10116000	F CUTTER	FOR AE-9 E,G SET,AE-12, AE-16 A SET,AE-17	*		1

BOBBIN THREAD REMAINING AMOUNT DETECTING DEVICE



## BOBBIN THREAD REMAINING AMOUNT DETECTING DEVICE

No.	Parts No.	Parts name	Remarks	Level	Cons	Qty
46	10761906	TUBE SUPPORT (RIGHT)	FOR AE-9,AE-16	*		1
47	SL4030691SC	SCREW M3 L=6	FOR AE-9,AE-16	*		1
48	10762003	TUBE SUPPORT (LEFT)	FOR AE-9 F,H SET,AE-16 B SET	*		1
49	SL4030691SC	SCREW M3 L=6	FOR AE-9 F,H SET,AE-16 B SET	*		1
50	EA9500B0000	CABLE BAND		*		10
51	40028573	SOLENOID VALVE CORD ASM.	FOR AE-9 G,H SET,AE-12	*		1
52	40023801	SC-510 IPOP_PCB_A_ASSY	FOR AE-9 G,H SET,AE-12	*		1
53	40064819	ELECTROMAGNETIC VALVE ASM.	FOR AE-12,AE-17	*		1
54	GAE100080A0	SOLENOID VALVE ASM.	FOR AE-9 E,F SET	*		1
55	40028572	SOLENOID VALVE ASM.	FOR AE-9 G,H SET,AE-16	*		1
56	SM4032001SC	SCREW M3X0.5 L=20		*		2
57	40064826	SENSOR PLATE	FOR AE-12,AE-17	*		1
58	40064818	BASE STOPPER	FOR AE-12,AE-17	*		1
59	SM6041002TP	SCREW M4X0.7 L=10	FOR AE-12,AE-17	*		2
60	40064816	FIBER SENSOR ASM.	FOR AE-12,AE-17	*		1
61	SM4020301SC	SCREW M2X0.4 L=3	FOR AE-12,AE-17	*		1
62	BT0400251EB	URETHANE HOSE, BLACK	FOR AE-12,AE-17	*		1
63	40064923	DETECTING SWITCH ASM.	FOR AE-12	*		1
64	40104414	DETECTING SWITCH ASM.	FOR AE-16,AE-17	*		1
65	40102074	AE RELAY CORD ASM.	FOR AE-16,AE-17	*		1

## HOW TO MAKE USE OF THIS PARTS LIST

1.As to "#01" and "#02" refer to the "Note" given at the bottom of the respective pages.

2.Codes on the "Qty" column

- Each numeral indicates the number of parts required.
- "0.1" and "2.5" indicate the length (in meters) of the respective parts.

3.Parentheses mean that the corresponding part is a subpart that constructs an assembly part.

4.Dotted lines on the Figures indicate assembly parts.

1. リストページの# 0 1、# 0 2の印は、ページ下の"注記"の説明を参照下さい。
2. 数量欄の数字は、個数を表し、0. 1、2. 5等の数値は、長さ（単位メートル）を表します。
3. 数量欄の（ ）は、組部品を構成している子部品であることを意味します。
4. イラストページの-----枠は、組構成であることを意味します。

NUMERICAL INDEX OF PARTS

PART NO	PAGE	REF NO.	PART NO	PAGE	REF NO.
10761906	4	46	SM6031002TP	2	36
10762003	4	48	SM6041002TP	4	59
40018350	2	20	WP0430800SC	2	37
40023801	4	52			
40028570	2	17			
40028571	2	11			
40028572	4	54·55			
40028573	4	51			
40029099	2	1~7			
40029100	2	1~7			
40064816	4	60			
40064818	4	58			
40064819	4	53			
40064826	4	57			
40064923	4	63			
40102071	2	12			
40102072	2	13			
40102074	4	65			
40104414	4	64			
40105219	2	1~7			
40105220	2	1~7			
40105221	2	1~7			
BT0400251EB	2	62			
BT0400251EB	4	62			
EA9500B0000	4	50			
GAE09000EA0	2	1~7			
GAE09000FA0	2	1~7			
GAE090050A0	2	40			
GAE09009000	2	43			
GAE090100A0	2	16			
GAE090110A0	2	10			
GAE090110B0	2	8			
GAE100080A0	4	54·55			
GAE10104000	2	18			
GAE10107000	2	30			
GAE10116000	2	45			
GAE10117000	2	34			
GAE10118000	2	35			
PJ308040002	2	42			
SL4030691SC	4	49			
SM4020301SC	4	61			
SM4030501SC	2	14			
SM4031201SC	2	15			
SM4032001SC	4	56			
SM4860801SC	2	31			