

MODEL : LU-1510N

List No : 1362-07

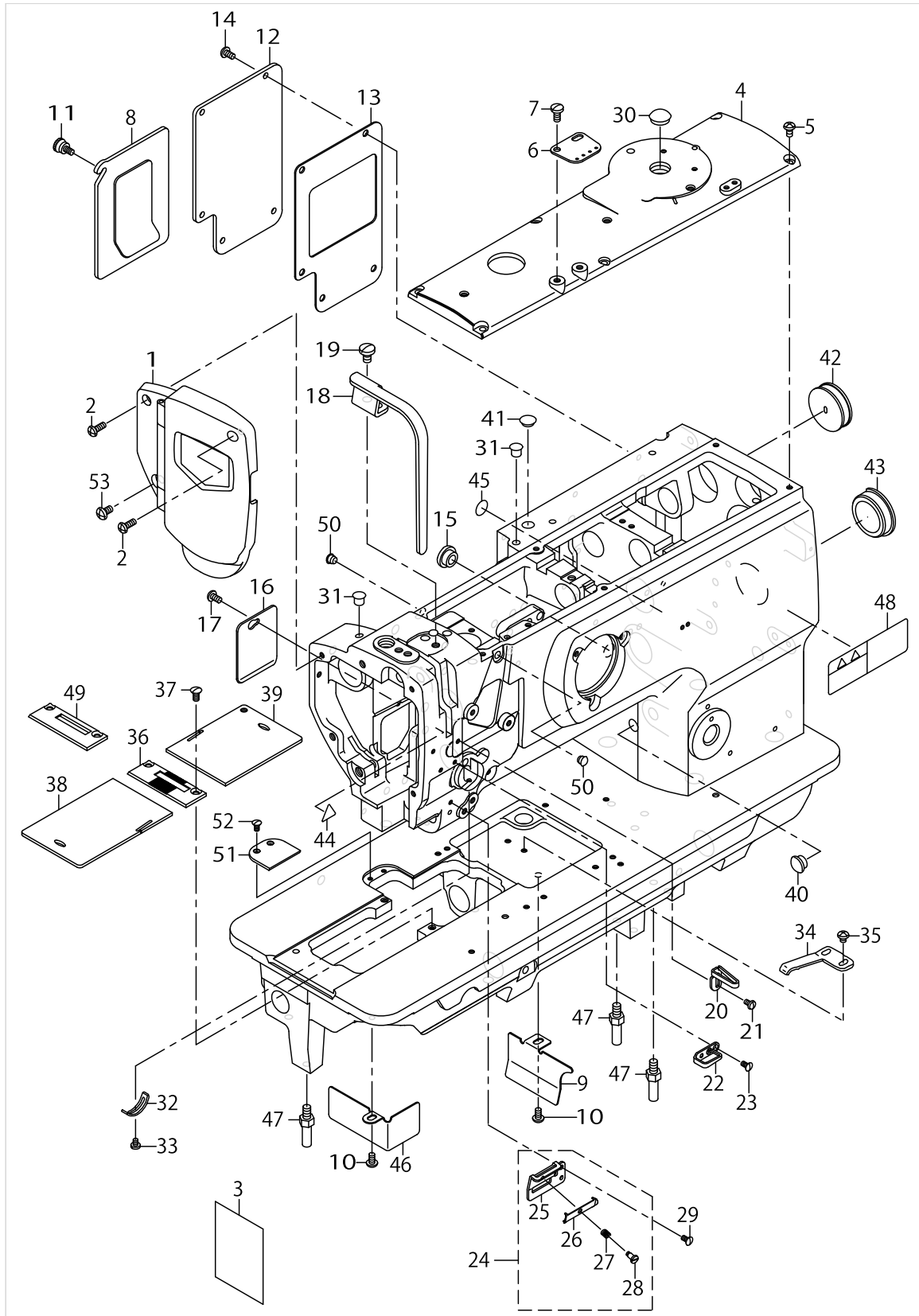
PARTS LIST

Published:11/30/2017

CONTENTS

FRAME & MISCELLANEOUS COVER COMPONENTS	1
UPPER SHAFT,LOWER SHAFT DRIVING & BALANCE COMPONENTS	5
NEEDLE BAR ROCKING COMPONENTS	9
PRESSURE ADJUSTING & UPPER FEED MECHANISM COMPONENTS.....	11
FEED MECHANISM COMPONENTS.....	15
HOOK SHAFT & LOWER SHAFT COMPONENTS	19
THREAD TENSION COMPONENTS	23
LOWER THREAD WINDER MECHANISM COMPONENTS	25
KNEE LIFTING COMPONENTS	27
BELT COVER & OIL RESERVOIR COMPONENTS.....	29
LUBRICATION COMPONENTS	31
ACCESSORIES PARTS COMPONENTS	35
THREAD STAND COMPONENTS.....	37
AUTOMATIC BACK COMPONENTS (OPTIONAL PARTS).....	39
AUTOMATIC PRESSER LIFTING MECHANISM COMPONENTS (OPTIONAL PARTS).....	43
OPTIONAL PARTS (ADDITIONAL SPRING FOR PRESSER BAR) COMPONENTS	45
SUSPENSION SQUARE (OPTION) COMPONENTS.....	47
OPTIONAL PARTS COMPONENTS (1).....	49
OPTIONAL PARTS COMPONENTS (2).....	51
LIST FOR INFORMATION OF CHANGE.....	53
HOW TO MAKE USE OF THIS PARTS LIST	54

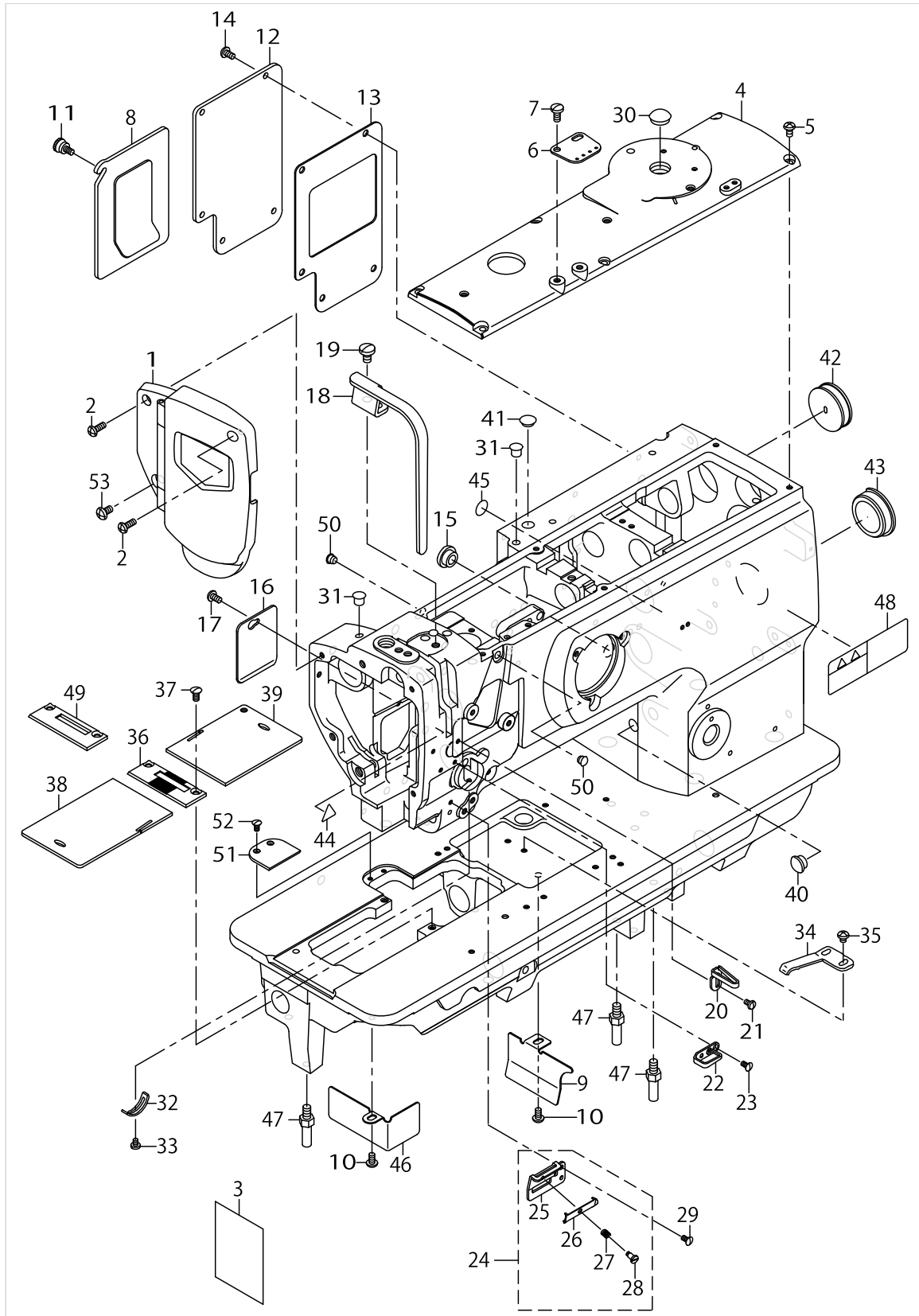
FRAME & MISCELLANEOUS COVER COMPONENTS



FRAME & MISCELLANEOUS COVER COMPONENTS

No.	Parts No.	Parts name	Remarks	Level	Cons	Qty
1	40016798	FACE PLATE ASM.				1
2	SS4111215SP	SCREW 11/64-40 L=12				2
3	40152631	LUBRICATION SUPPLEMENT				1
4	21331301	TOP COVER B				1
5	SS4110815SP	SCREW 11/64-40 L=8				6
6	21355904	ARM THREAD GUIDE				1
7	SS7621040SP	SCREW 3/16-32 L=9.5				2
8	21331756	WINDOW PLATE A ASM.				1
9	22877609	DUST COVER				1
10	SS4110815SP	SCREW 11/64-40 L=8				2
11	21331202	SETSCREW				1
12	21331806	WINDOW PLATE B				1
13	21332002	WINDOW PLATE PACKING B				1
14	SS4110815SP	SCREW 11/64-40 L=8				5
15	TA1250504R0	RUBBER PLUG				2
16	21332309	SIDE COVER				1
17	SS4110815SP	SCREW 11/64-40 L=8				1
18	21331608	BALANCE COVER				1
19	SS7150910TP	SCREW 15/64-28 L=9				1
20	40125273	THREAD_GUIDE				1
21	SS5090610SP	SCREW 9/64-40 L=6				1
22	40108675	FRAME THREAD GUIDE				1
23	SS2090710TP	SCREW 9/64-40 L=7.2				1
24	21408554	THREAD GUIDE ASM.				1
25	21408505	THREAD GUIDE PLATE		*		1
26	17912106	NEEDLE THREAD PRESSER PLATE		*		1
27	B1132521000	THREAD PRESSER PLATE SPRING		*		1
28	SD0380551SL	HINGE SCREW D=3.80 H=5.5		*		1
29	SS2090710TP	SCREW 9/64-40 L=7.2				1
30	TA1450404R0	RUBBER PLUG D=14.5 L=4				1
31	TA0750704R0	RUBBER PLUG				2
32	B3138512000	TAKE-UP SPRING ADJUSTING PLATE				1
33	SS7090520TP	SCREW 9/64-40 L=4.5				1
34	B1111563000	BED SLIDE SPRING				1
35	SS4110515SP	SCREW 11/64-40 L=5				2
36	B1109563000	THROAT PLATE				1
37	SS2110920TP	SCREW 11/64-40 L=8.5				2
38	21349600	SLIDING PLATE (LEFT)				1
39	21349709	SLIDING PLATE (RIGHT)				1
40	TA1050504R0	RUBBER PLUG				1
41	TA1250504R0	RUBBER PLUG				1
42	10201200	RUBBER PLUG				1
43	22619100	CAP				1
44	CM300200001	ATTENTION SEAL				1
45	22901805	GROUND MARK				1
46	21332200	OIL SHIELD (LEFT)				1
47	22602601	BED SCREW STUD				3

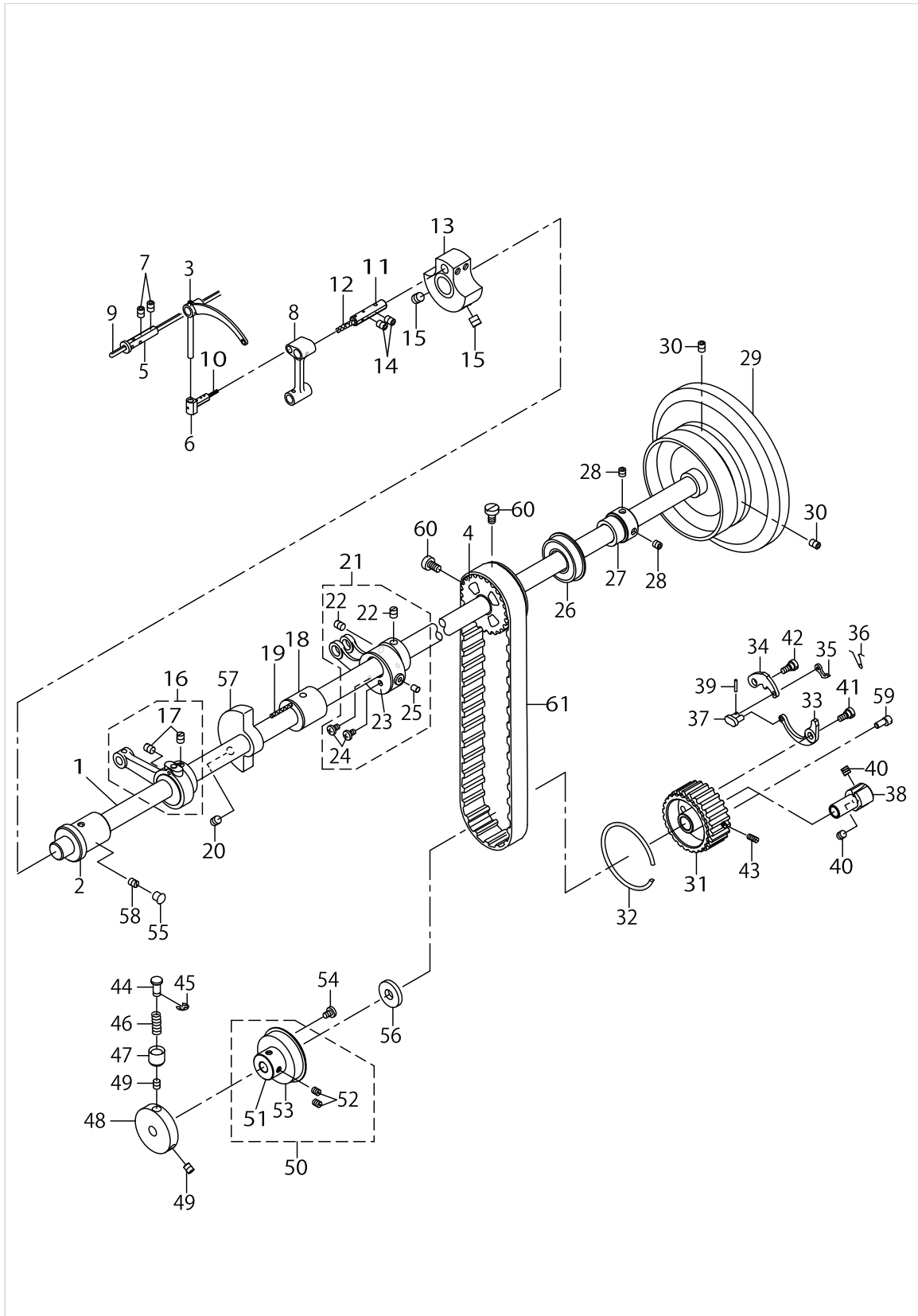
FRAME & MISCELLANEOUS COVER COMPONENTS



FRAME & MISCELLANEOUS COVER COMPONENTS

No.	Parts No.	Parts name	Remarks	Level	Cons	Qty
48	CM301300001	SAFETY LABEL	OPTIONAL PARTS			1
49	B1109562D00	THROAT PLATE				1
50	TA0620504R0	CAP				2
51	23208556	AUXILIARY COVER ASM.				1
52	SS2090710TP	SCREW 9/64-40 L=7.2				2
53	SS4150915SP	SCREW 15/64-28 L=9				1

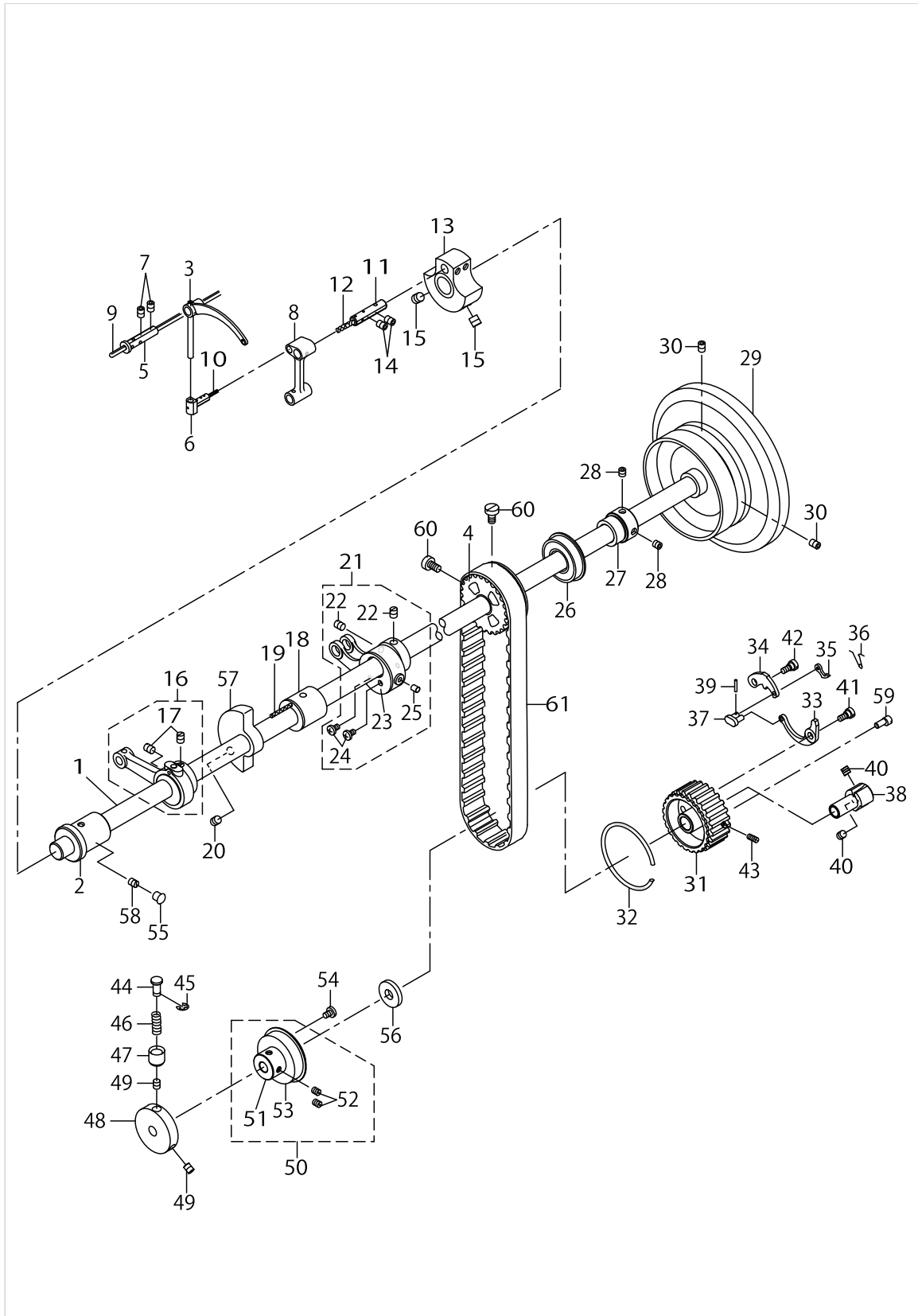
UPPER SHAFT,LOWER SHAFT DRIVING & BALANCE COMPONENTS



UPPER SHAFT,LOWER SHAFT DRIVING & BALANCE COMPONENTS

No.	Parts No.	Parts name	Remarks	Level	Cons	Qty
1	21332705	UPPER SHAFT				1
2	21333000	UPPER SHAFT FRONT METAL				1
3	B1905563000	THREAD TAKE-UP LEVER ASM.				1
4	40038692	UPPER SPROCKET				1
5	B1906051000	TAKE-UP LEVER PIN				1
6	B1907051000	TAKE-UP LEVER THRUST PIN				1
7	SS8150822TP	SCREW 15/64-28 L=8				2
8	21339106	NEEDLE BAR CRANK ROD				1
9	CQ303000000	OIL WICK				0.45
10	CQ202000000	OIL WICK				0.03
11	B1210051000	NEEDLE BAR CRANK PIN				1
12	CQ505000000	OIL WICK				0.03
13	21332507	COUNTER WEIGHT (A) (36MM)				1
14	SS8150822TP	SCREW 15/64-28 L=8				2
15	SM8080812TP	SCREW M8X8				2
16	40197297	UPPER_FEED_CAM_ASM				1
17	SS8660810TP	SCREW 1/4-40 L=8		*		2
18	21333109	UPPER SHAFT INNER METAL				1
19	CQ202000000	OIL WICK				0.15
20	SS8151550SP	SCREW 15/64-28 L=15				2
21	40197296	HORIZONTAL_FEED_ROD_ASM				1
22	SS8660810TP	SCREW 1/4-40 L=8		*		2
23	21353008	HORIZONTAL FEED CAM COVER		*		1
24	SS7110710SP	SCREW 11/64-40 L=7		*		2
25	21387402	FELT		*		1
26	40143083	BEARING				1
27	21402300	UPPER SHAFT BEARING HOOK				1
28	SM8060602TP	SCREW M6X6				2
29	21334008	FLYWHEEL				1
30	SS8150822TP	SCREW 15/64-28 L=8				2
31	21387501	LOWER SPROCKET				1
32	B1214019000	SPROCKET RING				1
33	21387709	SAFETY CLUTCH SPRING				1
34	21387600	SAFETY CLUTCH HOOK				1
35	B1308055000	SAFETY CLUTCH COUNTER-HOOK				1
36	40113224	COUNTER HOOK SPRING				1
37	B1310055000	SAFETY CLUTCH SMALL LINK				1
38	21387808	SAFETY BASE				1
39	B1314055000	SAFETY CLUTCH SMALL LINK PIN				1
40	SS8660612TP	SCREW 1/4-40 L=6				2
41	SD0640322TP	HINGE SCREW D=6.35 H=3.2				1
42	SD0640322TP	HINGE SCREW D=6.35 H=3.2				1
43	SS8111010TP	SCREW 11/64-40 L=9.5				1
44	40104367	SAFETY CLUTCH PUSH BUTTON				1
45	RE0500000K0	E-RING				1
46	B1639051000	SPRING				1
47	B1313055000	SAFETY CLUTCH KNOB SLEEVE				1

UPPER SHAFT, LOWER SHAFT DRIVING & BALANCE COMPONENTS



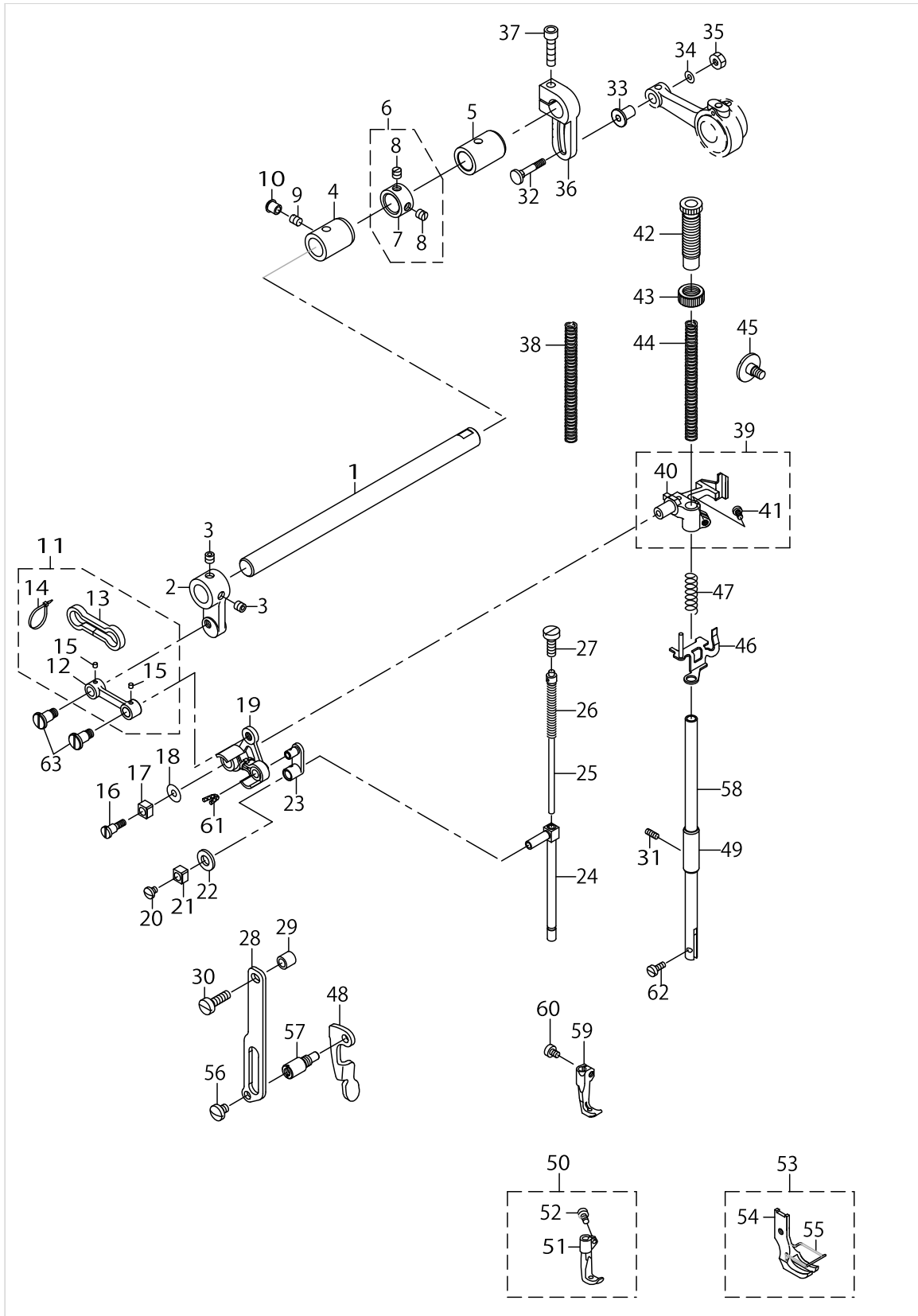
UPPER SHAFT,LOWER SHAFT DRIVING & BALANCE COMPONENTS

No.	Parts No.	Parts name	Remarks	Level	Cons	Qty
48	21333901	SAFETY CLUTCH DISC				1
49	SS8660530TP	SCREW 1/4-40 L=4.5				2
50	40038700	THRUST COLLAR ASM.				1
51	40038702	THRUST COLLAR		*		1
52	SS8661030SP	SCREW 1/4-40 L=10		*		2
53	SB120000200	BEARING 20X42		*		1
54	SS7120760SP	SCREW 3/16-28 L=7.0				2
55	TA0750704R0	RUBBER PLUG				1
56	40016148	THRUST COLLAR B WASHER				1
57	21333406	BALANCER				1
58	SS8150710TP	SCREW 15/64-28 L=7				1
59	21387907	ADJUSTING PIN (1.2)				1
60	SS6661110SP	SCREW 1/4-40 L=11				2
61	22604300	TIMING BELT				1

NEEDLE BAR ROCKING COMPONENTS

No.	Parts No.	Parts name	Remarks	Level	Cons	Qty
1	B1420563000	NEEDLE BAR FRAME				1
2	21405204	HINGE STUD				1
3	22814909	FELT				1
4	CQ202000000	OIL WICK				0.05
5	SS8151150TP	SCREW 15/64-28 L=10.5				1
6	B1437051000	OIL WICK RETAINER				1
7	B1401053000	NEEDLE BAR				1
8	B1411053000	NEEDLE BAR CONNECTION				1
9	SS7090910SP	SCREW 9/64-40 L=8.5				1
10	B1412051000	FELT				1
11	10308609	THREAD GUARD				1
12	SS7080510TP	SCREW 1/8-44 L=4.5				1
13	M13517B1600	NEEDLE 135X17 #160				1
14	B1467563000	UPPER FEED BAR GUIDE				1
15	SS7110910TP	SCREW 11/64-40 L=8.5				2
16	21388400	ROCKING BASE GUIDE				1
17	SS7110830SP	SCREW 11/64-40 L=7.5				2
18	21338603	ROCKING BASE GUIDE (B)				1
19	SS6091022TP	SCREW				2
20	21338801	ROCKING FRONT ARM				1
21	SM8080802TP	SCREW				2
22	21338900	ROCKING SHAFT				1
23	B1414232000	SQUARE BLOCK				1
24	B1410771000	STUD				1
25	21339304	ROCKING SHAFT FRONT METAL				1
26	40027746	BUSHING REAR				1
27	21339056	ROCKING REAR ARM ASM.				1
28	21339007	ROCKING REAR ARM		*		1
29	SS6152440SP	SCREW 15/64-28 L=23.5		*		1
30	21347406	ROCKING REAR ARM FELT		*		1
31	EA9500B0100	CABLE BAND		*		2
32	22814909	FELT				1

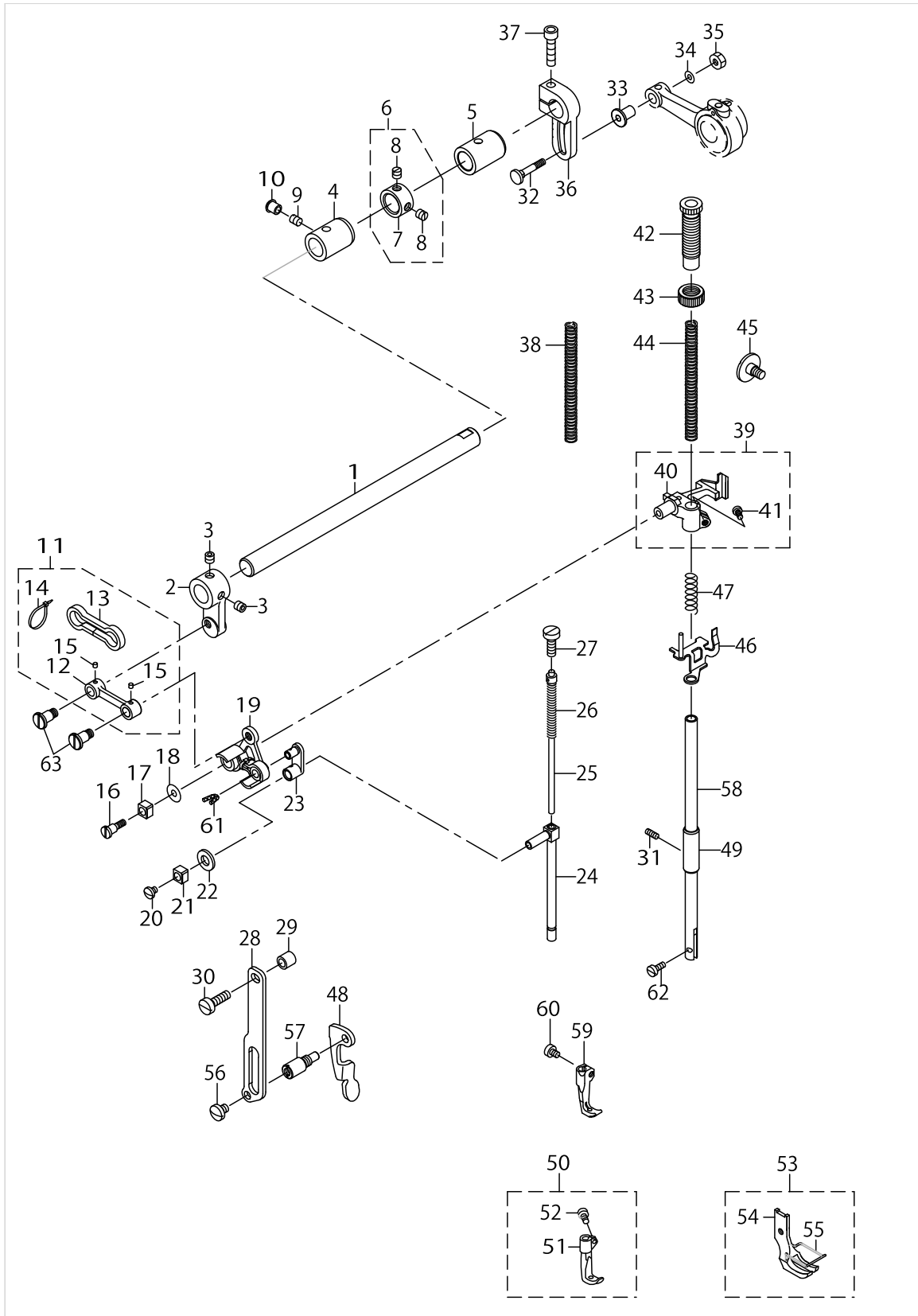
PRESSURE ADJUSTING & UPPER FEED MECHANISM COMPONENTS



PRESSURE ADJUSTING & UPPER FEED MECHANISM COMPONENTS

No.	Parts No.	Parts name	Remarks	Level	Cons	Qty
1	21340401	UPPER FEED SHAFT				1
2	21340500	UPPER FEED FRONT ARM				1
3	SS8660612TP	SCREW 1/4-40 L=6				2
4	40039326	FRONT METAL				1
5	21378302	FEED SHAFT METAL				1
6	22904155	MAIN SHAFT THRUST COLLAR ASM.				1
7	22904106	MAIN SHAFT THRUST COLLAR		*		1
8	SS8660610TP	SCREW 1/4-40 L=6		*		2
9	SS8150710SP	SCREW 15/64-28 L=7				1
10	TA0750704R0	RUBBER PLUG				1
11	40033027	UPPER FEED LINK ASM.				1
12	40033026	UPPER FEED LINK		*		1
13	21347109	FELT		*		1
14	EA9500B0000	CLIP CV-70S		*		2
15	CQ3000000F0	OIL FELT		*		0.0028
16	40018339	SCREW				1
17	B1414555000	SLIDE BLOCK				1
18	WP0501046SC	WASHER 5X13X1				1
19	40033029	TRIANGULAR LEVER ASM.				1
20	SS7110510SP	SCREW 11/64-40 L=5				1
21	B1414555000	SLIDE BLOCK				1
22	10509701	FELT				1
23	40018341	WALKING BAR DRIVING LINK				1
24	40033030	WALKING BAR A				1
25	B14670530A0	WALKING BAR ASM.				1
26	B1468053000	WALKING BAR SPRING				1
27	SS6151780SP	SCREW 15/64-28 L=17.0				1
28	21406509	UPPER FEED GUIDE PLATE				1
29	26225201	ROLLER				1
30	SS6151920SP	SCREW 15/64-28 L=19.0				1
31	SS8111010TP	SCREW 11/64-40 L=9.5				1
32	D1456055B00	HINGE SCREW				1
33	D1455055B00	CONNECTING STUD				1
34	WP0482086SD	WASHER 4.8X11.5X2				1
35	NS6110530SP	NUT 11/64-40				1
36	21437900	UPPER FEED REAR ARM				1
37	SM6062502TP	SCREW M6 L=25				1
38	B1510141H00	PRESSER SPRING	OPTIONAL PARTS			1
39	40033032	PRESSER BAR HOLDER A ASM.				1
40	40033031	PRESSER BAR HOLDER A		*		1
41	SS7110910TP	SCREW 11/64-40 L= 8.5		*		1
42	21340906	PRESSER ADJUSTING SCREW				1
43	22907604	PRESSER SPRING REGULATOR NUT				1
44	B1502246000	PRESSER SPRING				1
45	SD0800481SP	HINGE SCREW D=8 H=4.9				1
46	21341151	THREAD RELEASE HOLDING PLATE				1
47	B1462053000	THREAD RELEASE SPRING				1

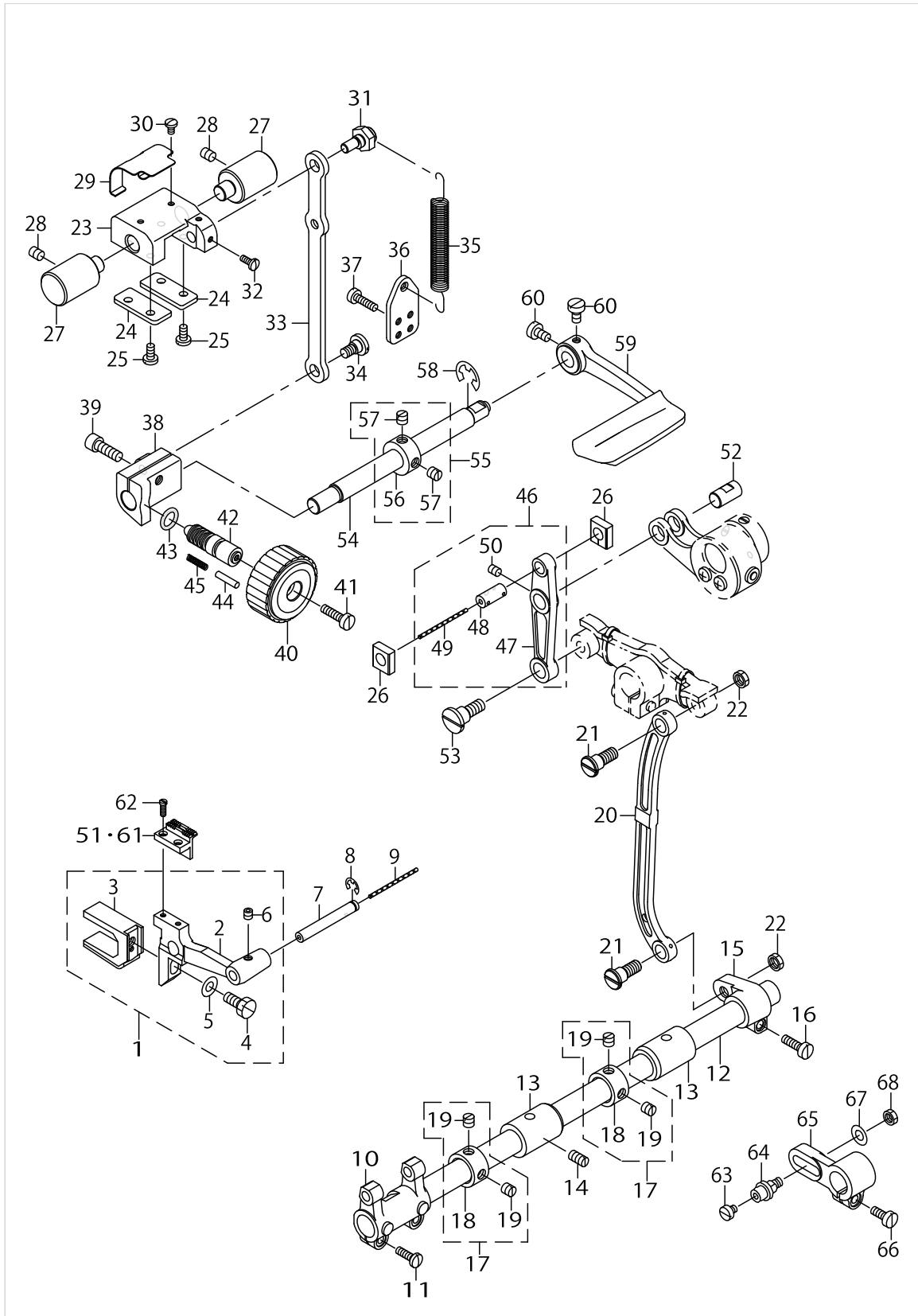
PRESSURE ADJUSTING & UPPER FEED MECHANISM COMPONENTS



PRESSURE ADJUSTING & UPPER FEED MECHANISM COMPONENTS

No.	Parts No.	Parts name	Remarks	Level	Cons	Qty
48	21406103	PRESSER LIFTER LEVER				1
49	B1510155000	PRESSER BAR LOWER BUSHING				1
50	B1470241HA0	WALKING FOOT ASM.				1
51	B1470241H00	WALKING FOOT		*		1
52	B1471241H00	SCREW		*		1
53	B1525241HA0	PRESSER FOOT ASM.				1
54	B1525241H00	PRESSER FOOT		*		1
55	10337905	FINGER GUARD		*		1
56	SS7150740SP	SCREW 15/64-28 L=7				1
57	21406608	GUIDE PLATE SPACER				1
58	B1501241H00	PRESSER BAR				1
59	21350004	UPPER FEED FOOT	OPTIONAL PARTS			1
60	B1471241H00	SCREW	OPTIONAL PARTS			1
61	CQ252000000	OIL WICK				0.02
62	SS6090910TP	SCREW 9/64-40 L=9				1
63	40018340	SCREW				2

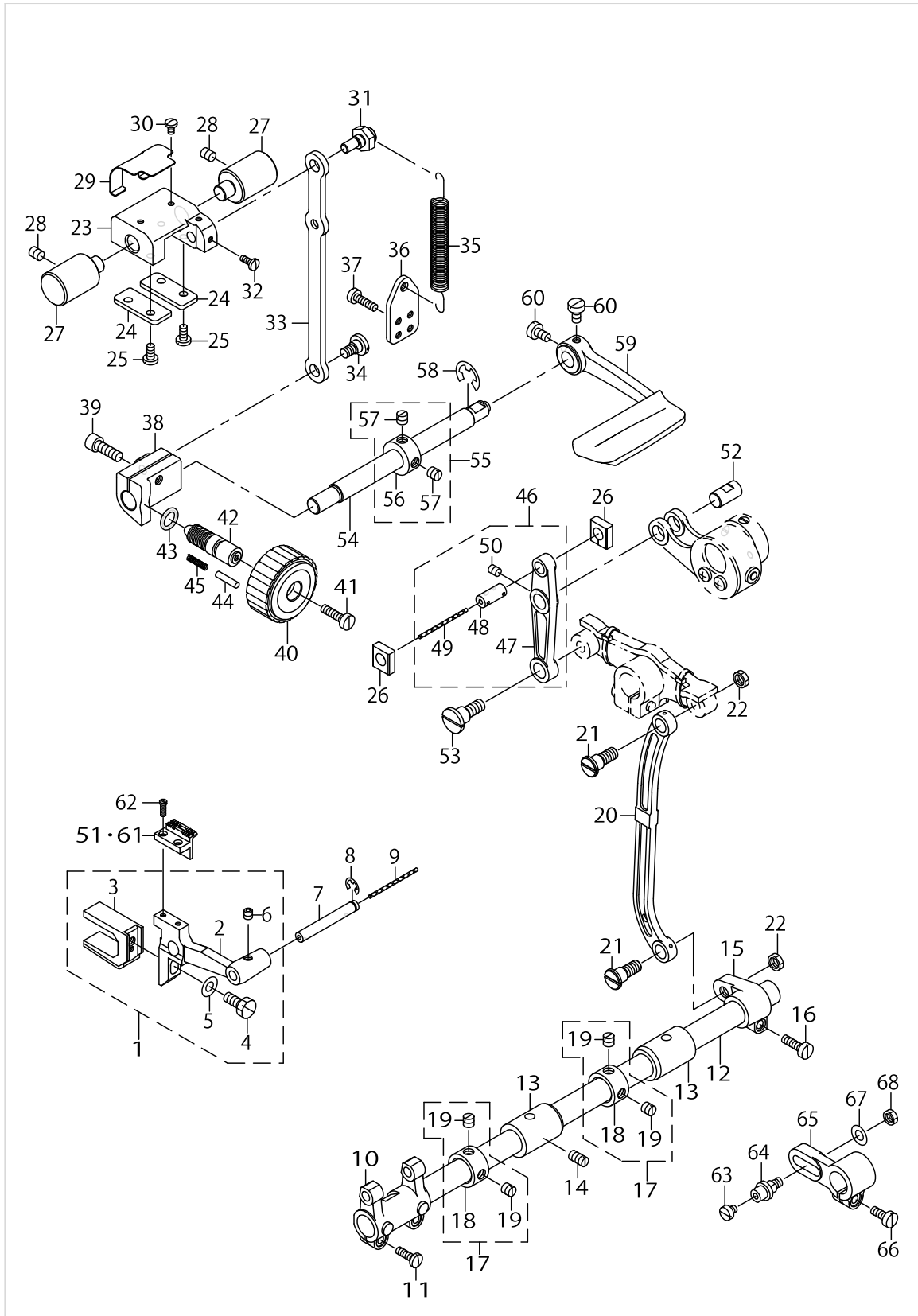
FEED MECHANISM COMPONENTS



FEED MECHANISM COMPONENTS

No.	Parts No.	Parts name	Remarks	Level	Cons	Qty
1	21336052	FEED BASE ASM. (A)				1
2	21336003	FEED BASE		*		1
3	B1604051000	FEED BAR SLIDE FORK		*		1
4	SS9151440CP	SCREW 15/64-28 L=14		*		1
5	WP0621016SD	WASHER 6.2X13X1		*		1
6	SM8050502TP	SCREW M5 L=5		*		1
7	B1604012000A	FEED BAR SHAFT				1
8	RE0500711KP	SNAP RING 5				1
9	CQ202000000	OIL WICK				0.14
10	21364104	FEED ROCKER				1
11	SS7111410TP	SCREW 11/64-40 L=14				2
12	22609408	FEED ROCK SHAFT				1
13	21378302	FEED ROCK SHAFT METAL				2
14	SS8151150TP	SCREW 15/64-28 L=10.5				1
15	22609309	FEED ROCKER SHAFT CRANK				1
16	SS6121610TP	SCREW 3/16-28 L=15.5				1
17	22904155	MAIN SHAFT THRUST COLLAR ASM.				2
18	22904106	MAIN SHAFT THRUST COLLAR		*		1
19	SS8660610TP	SCREW 1/4-40 L=6		*		2
20	10205201	NEEDLE BAR FRAME ROD				1
21	SD0900701TP	HINGE SCREW D=9 H=7				2
22	NS6680320SP	NUT 9/32-28				2
23	21337506	FEED ADJUSTING BASE				1
24	21337704	FEED ADJUSTING BASE COVER				2
25	SS7110910TP	SCREW 11/64-40 L=8.5				4
26	21337407	SQUARE BLOCK				2
27	21337803	FEED ADJUSTING BASE SUPPORT				2
28	SS8150822TP	SCREW 15/64-28 L=8				2
29	21338306	FELT SUPPORT				1
30	SS7090610SP	SCREW 9/64-40 L=6				2
31	21337902	ECCENTRIC PIN				1
32	SS7090910TP	SCREW 9/64-40 L=8.5				2
33	21337308	FEED ADJUSTING ROD				1
34	SD0800402TP	HINGE SCREW D=8 H=4				1
35	21337605	SPRING				1
36	40019926	SPRING HOOK				1
37	SS6111610SP	SCREW 11/64-40 L=16				2
38	21337209	FEED ADJUSTING A				1
39	SM6061802TP	SCREW M6 L=18				1
40	21336805	FEED DIAL A				1
41	SS6121860SP	SCREW 3/16-28 L=18				1
42	22911804	FEED REGULATOR SCREW				1
43	RO092270200	RUBBER RING				1
44	22912000	FEED REGULATOR PIN				1
45	22912109	FEED REGULATOR PIN SPRING				1
46	21336656	FEED LINK ASM.				1
47	21336607	FEED LINK		*		1

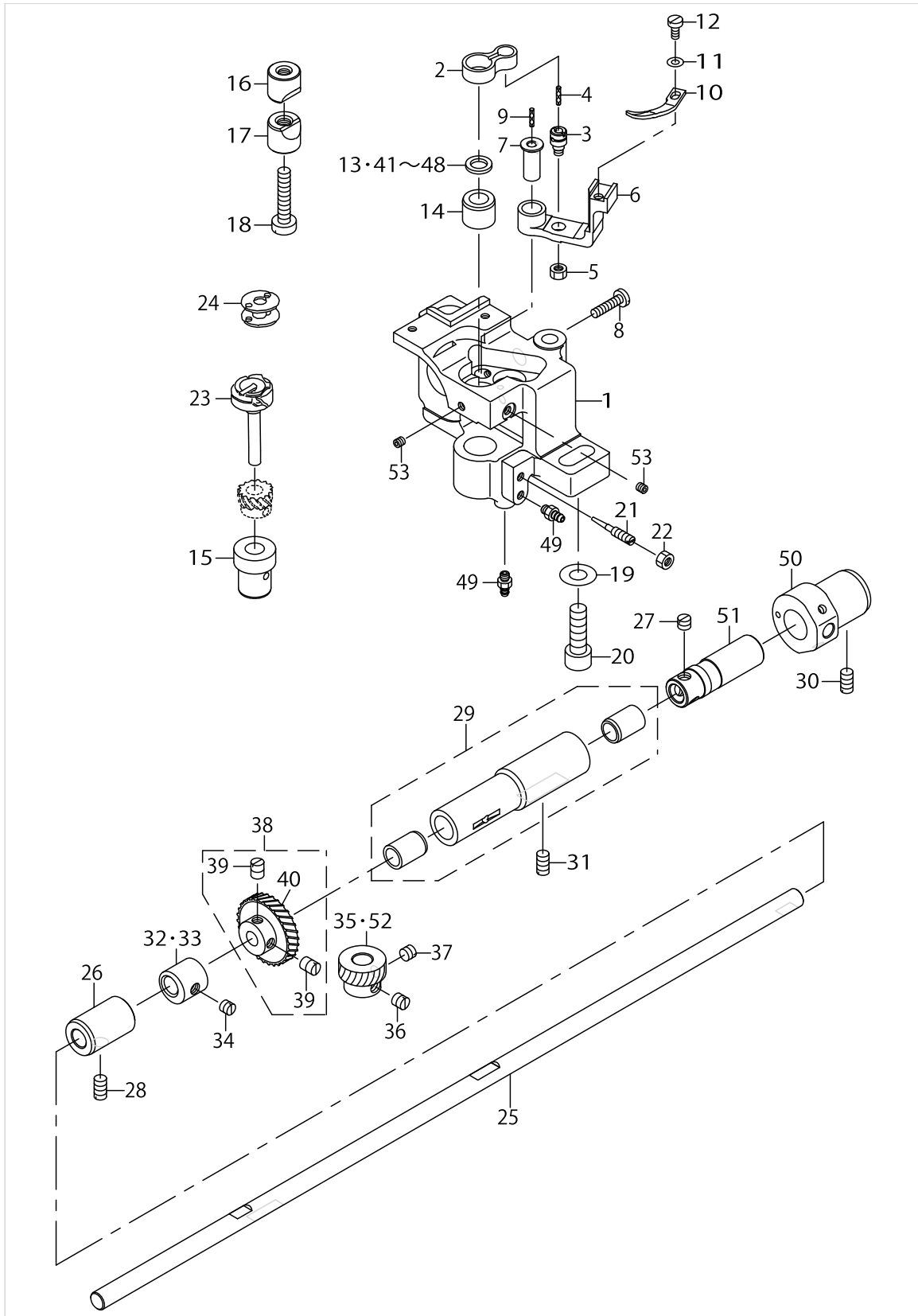
FEED MECHANISM COMPONENTS



FEED MECHANISM COMPONENTS

No.	Parts No.	Parts name	Remarks	Level	Cons	Qty
48	B1418761000	CONNECTING FORKED LINK PIN		*		1
49	CQ202000000	OIL WICK		*		0.04
50	SM8050612TP	SCREW M5X6		*		1
51	21349204	FEED DOG (2.5X3.5)	OPTIONAL PARTS			1
52	21378906	FEED LINK PIN				1
53	SD1000801SH	HINGE SCREW D=10 H=8				1
54	21336300	BACKWARD FEED LEVER SHAFT				1
55	CS1201010SH	THRUST COLLAR ASM. D=12 W=10				1
56	CS1201011SH	THRUST COLLAR D=12 W=10		*		1
57	SS8660610TP	SCREW 1/4-40 L=6		*		2
58	RE0900000K0	E-RING 9				1
59	21388004	REVERSE FEED CONTROL LEVER				1
60	SS6120930TP	SCREW 3/16-28 L=9				2
61	21349303	FEED DOG (2.5X7.2)				1
62	B1611055000	SCREW				2
63	SS6110520TP	SCREW 11/64-40 L=4.5	OPTIONAL PARTS			1
64	10122000	CONNECTING PIN	OPTIONAL PARTS			1
65	B3025141H00A	CONNECTING ARM	OPTIONAL PARTS			1
66	SS6121210TP	SCREW 3/16-28 L=12	OPTIONAL PARTS			1
67	WP0650876SD	WASHER 6.5X13X0.8	OPTIONAL PARTS			1
68	NS6150310SP	NUT 15/64-28	OPTIONAL PARTS			1

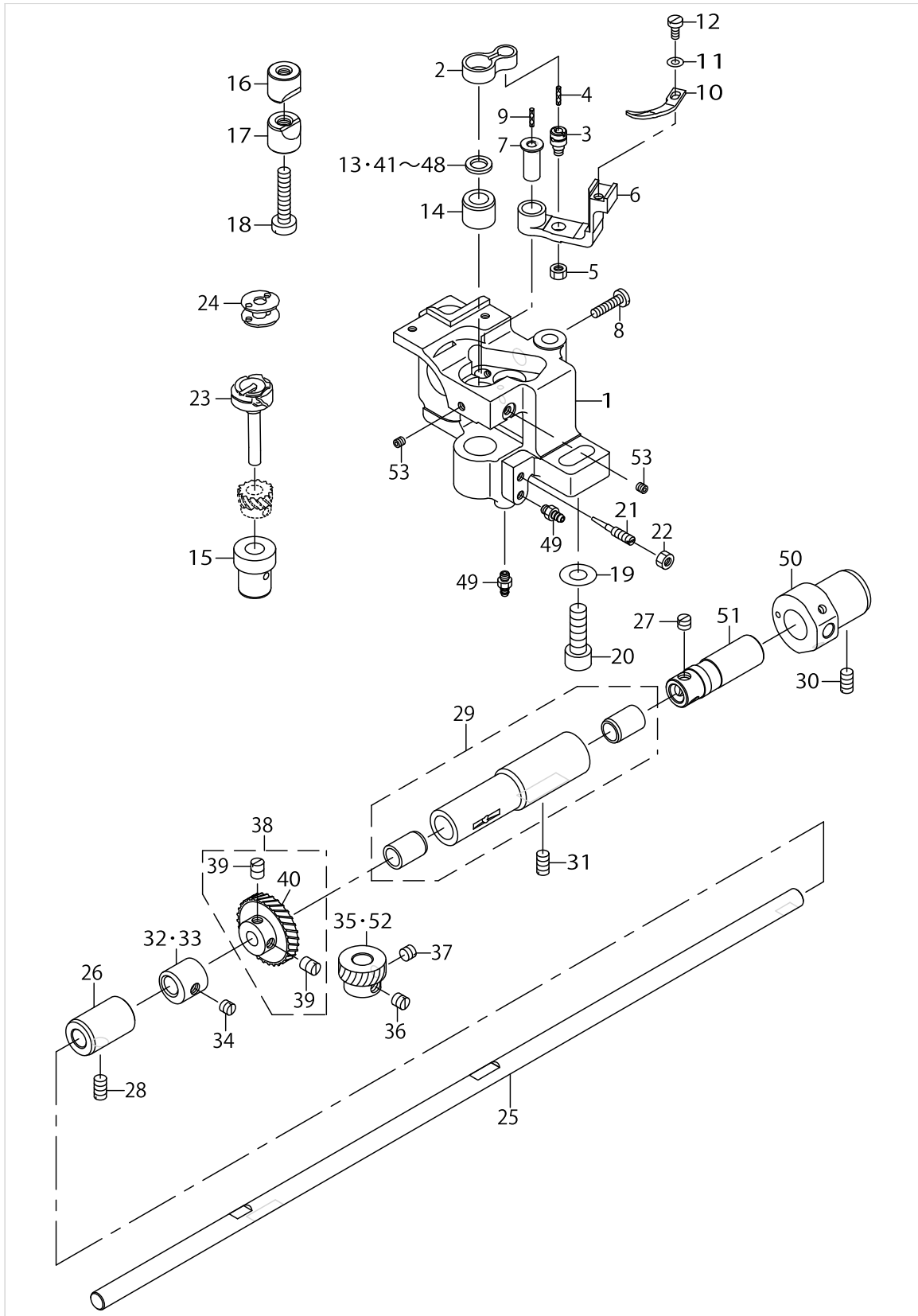
HOOK SHAFT & LOWER SHAFT COMPONENTS



HOOK SHAFT & LOWER SHAFT COMPONENTS

No.	Parts No.	Parts name	Remarks	Level	Cons	Qty
1	21335104	HOOK SHAFT BASE (RIGHT)				1
2	B1820563000	BOBBIN CASE OPENING LEVER LINK				1
3	B1821051000	CRANK SCREW STUD				1
4	CQ202000000	OIL WICK				0.01
5	NS6110420SP	NUT 11/64-40				1
6	B1822563000	BOBBIN CASE OPENING LEVER CRANK				1
7	B1823051000	OPENING LEVER CRANK PIN				1
8	SS7111810SP	SCREW 11/64-40 L=18				1
9	CQ202000000	OIL WICK				0.01
10	B1824563000	BOBBIN CASE OPENING LEVER				1
11	WP0371016SD	WASHER 3.7X8X1				1
12	SS6090810SP	SCREW 9/64-40 L=7.5				1
13	10111102	THRUST WASHER 1.3	SELECTIVE PARTS			1
14	21378500	HOOK SHAFT UPPER METAL				1
15	21334701	HOOK SHAFT LOWER METAL				1
16	10109908	SADDLE INSTALLING BLOCK UPPER				1
17	10112407	SADDLE INSTALLING BLOCK LOWER				1
18	SS6153040SP	SCREW 15/64-28 L=30				1
19	WP0850002SP	WASHER 8.5X18X1.6				1
20	SM6082502TP	SCREW M8 L=25				1
21	B1834512000A	OIL ADJUSTING SCREW				1
22	NS6110420SP	NUT 11/64-40				1
23	B18305630A0	VERTICAL-AXIS SEWING HOOK ASM.				1
24	B9117563000	BOBBIN				1
25	21333604	LOWER SHAFT				1
26	21427307	LOWER SHAFT METAL REAR				1
27	SS8660530TP	SCREW 1/4-40 L=4.5				3
28	SS8151150TP	SCREW 15/64-28 L=10.5				1
29	B18035150A0	BUSHING ASM. INTERMEDIATE				1
30	SS8151150TP	SCREW 15/64-28 L=10.5				1
31	SS8151150TP	SCREW 15/64-28 L=10.5				1
32	B184005100A	VERTICAL FEED CAM	OPTIONAL PARTS			1
33	B1840051000	FEED DRIVING ECCENTRIC				1
34	SS8150510TP	SCREW 15/64-28 L=4.7				1
35	B1817051000	HOOK DRIVING SHAFT GEAR SMALL	SELECTIVE PARTS			1
36	SS8660670SP	SCREW 1/4-40 L=6.1				1
37	SS8660530TP	SCREW 1/4-40 L=4.5				1
38	40162860	HOOK DRIVING SHAFT GEAR ASM				1
39	SS8660810TP	SCREW 1/4-40 L=8		*		2
40	B1816051000	HOOK DRIVING SHAFT GEAR LARGE		*		1
41	10109700	THRUST WASHER A	SELECTIVE PARTS			1
42	10109809	THRUST WASHER B	SELECTIVE PARTS			1
43	10110906	BUSHING THRUST 1.1	SELECTIVE PARTS			1
44	10111003	THRUST WASHER 1.2	SELECTIVE PARTS			1
45	10111201	THRUST WASHER F	SELECTIVE PARTS			1
46	10112506	THRUST WASHER 1.6	SELECTIVE PARTS			1
47	10112605	THRUST WASHER 1.7	SELECTIVE PARTS			1

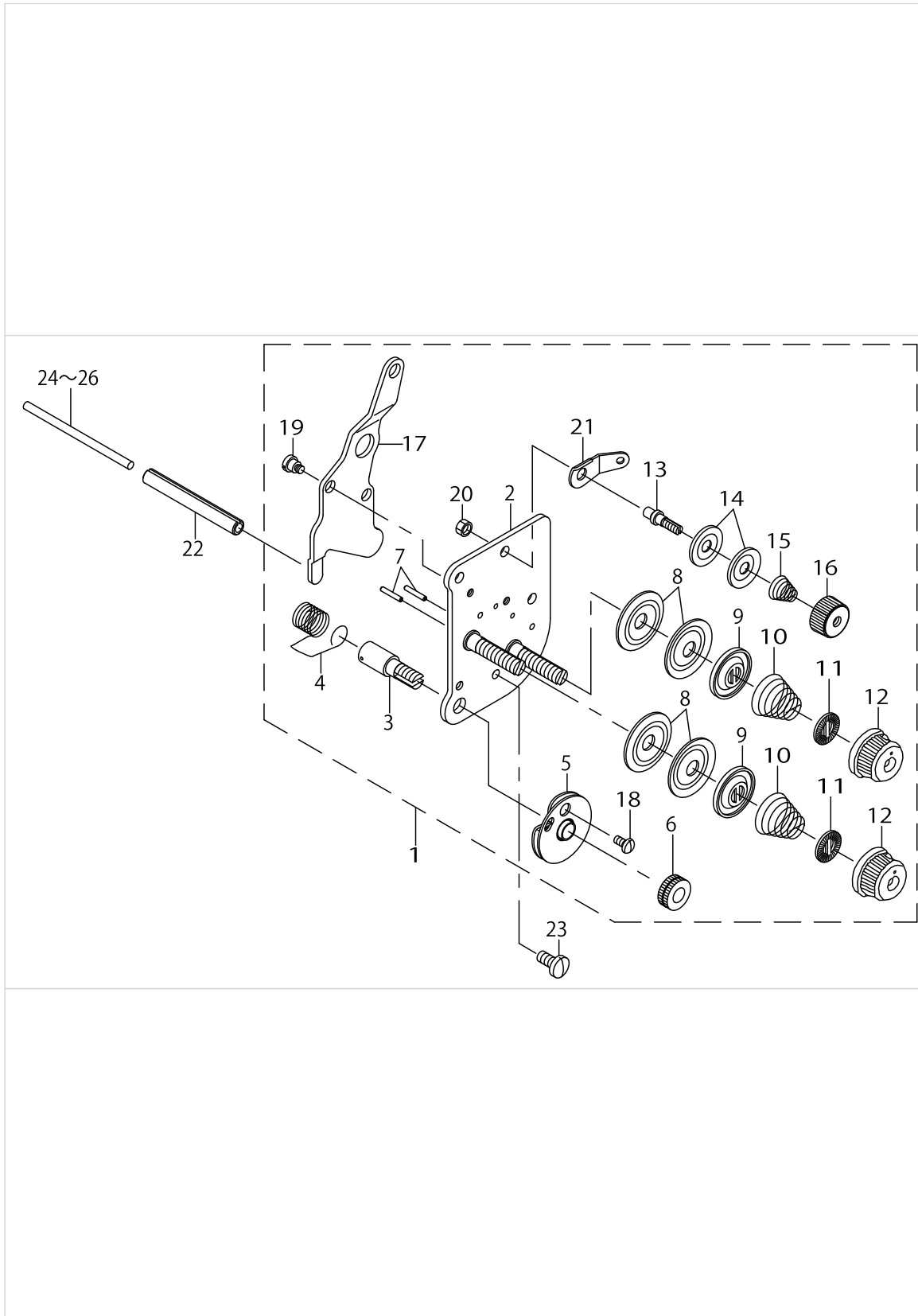
HOOK SHAFT & LOWER SHAFT COMPONENTS



HOOK SHAFT & LOWER SHAFT COMPONENTS

No.	Parts No.	Parts name	Remarks	Level	Cons	Qty
48	10112704	THRUST WASHER 1.8	SELECTIVE PARTS			1
49	SQ1110401MZ	CONNECTING SCREW				2
50	22611701	PLUNGER BUSHING B				1
51	22611909	OIL PUMP SHAFT				1
52	40042611	HOOK DRIVING SHAFT GEAR	SELECTIVE PARTS			1
53	SS8110422TP	SCREW 11/64-40 L=4				2

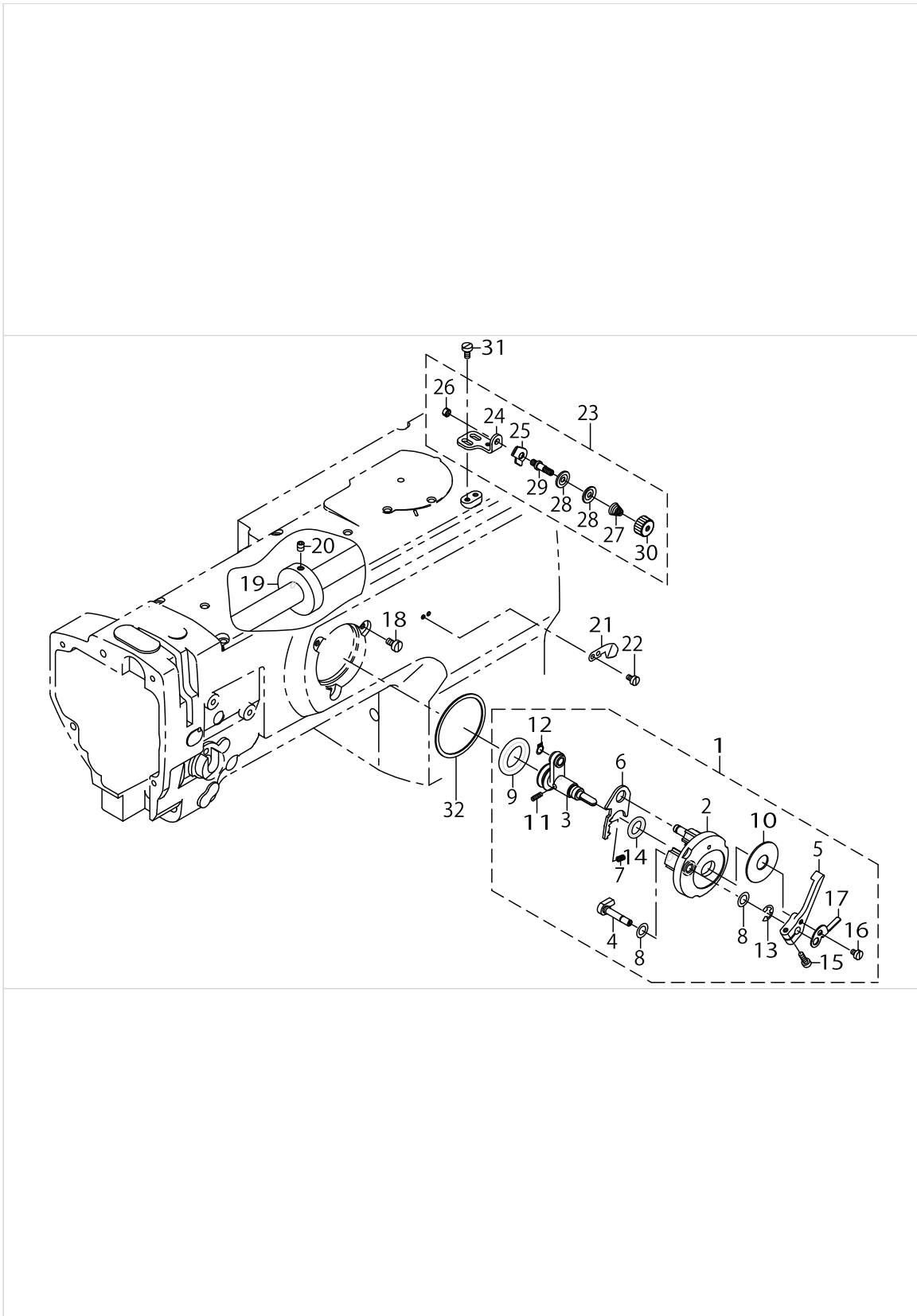
THREAD TENSION COMPONENTS



THREAD TENSION COMPONENTS

No.	Parts No.	Parts name	Remarks	Level	Cons	Qty
1	40103925	THREAD TENSION ASM.				1
2	21441050	TENSION POST COMPL.		*		1
3	10320109	SCREW STUD		*		1
4	B3128520000	TENSION SPRING		*		1
5	B31370510A0	TAKE-UP SPRING GUIDE DISC ASM.		*		1
6	B3125012000	THREAD TENSION NUT		*		1
7	22618201	TENSION RELEASE PIN A		*		2
8	13138201	THREAD TENSION DISK		*		4
9	22617906	THREAD TENSION DISK PRESSER		*		2
10	B3129526000	TENSION SPRING (1.2)		*		2
11	22921407	ROTATION STOPPER		*		2
12	22921308	THREAD TENSION NUT		*		2
13	10124204	THREAD TENSION POST A		*		1
14	10741106	FIRST THREAD TENSION PLATE		*		2
15	22945505	THREAD TENSION SPRING		*		1
16	22945703	THREAD TENSION NUT		*		1
17	21441100	TENSION RELEASE PLATE		*		1
18	SS4080620TP	SCREW 1/8-44 L=6		*		1
19	SD0470281SP	HINGE SCREW D=4.7 H=2.8		*		2
20	NS6110310SP	NUT 11/64-40		*		1
21	D3162555B00	THREAD GUIDE		*		1
22	PS0600502KP	SPRING PIN				1
23	SS7110910TP	SCREW 11/64-40 L=8.5				2
24	21348206	TENSION RELEASE BAR	SELECTIVE PARTS			1
25	10321107	TENSION RELEASE BAR	SELECTIVE PARTS			1
26	23006406	TENSION RELEASE BAR				1

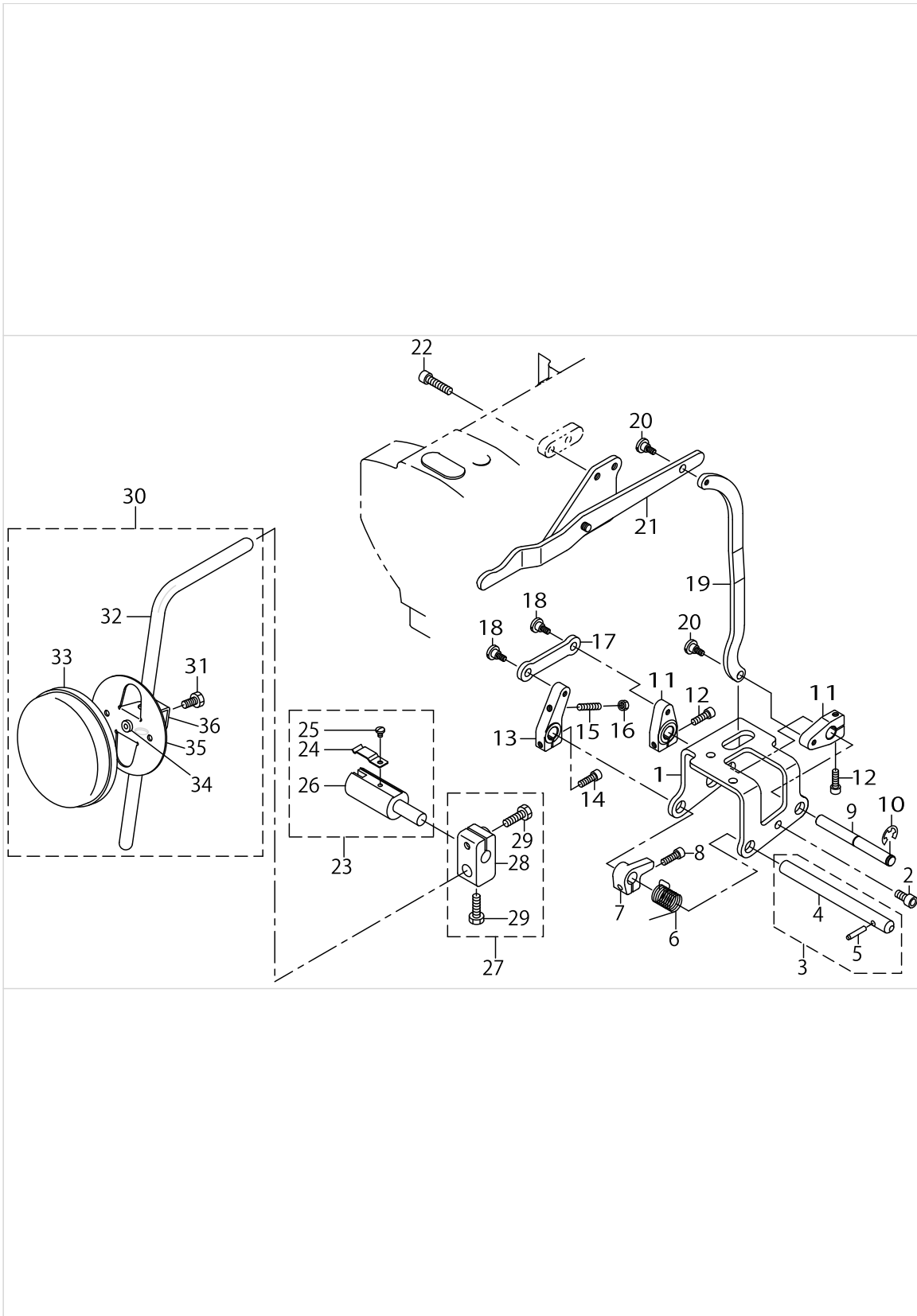
LOWER THREAD WINDER MECHANISM COMPONENTS



LOWER THREAD WINDER MECHANISM COMPONENTS

No.	Parts No.	Parts name	Remarks	Level	Cons	Qty
1	21357967	BOBBIN DEVICE ASM.				1
2	22537658	BOBBIN FITTING BASIS COMPL.		*		1
3	21357959	BOBIN SHAFT COMPL.		*		1
4	22538151	BOBBIN CAM SHAFT COMPL.		*		1
5	23636202	BOBBIN LEVER		*		1
6	21356001	ADJUSTING PLATE		*		1
7	B152989000CA	PRESSUR FOOT SPRING		*		1
8	10618304	VERTICAL ROLLER WASHER		*		2
9	A321600100A	RUBBER RING		*		1
10	B3205210000	CUSHION		*		1
11	B1148555000	SPRING		*		1
12	RC0560711KP	RETAINING RING		*		1
13	RE0500000K0	E-RING		*		1
14	RO092270200	RUBBER RING		*		1
15	SS7091410SP	SCREW 9/64-40 L=13.5		*		1
16	SS6090520SP	SCREW 9/64-40 L=5.0		*		1
17	14512503	BOBBIN ADJUSTING PLATE		*		1
18	SS6110810TP	SCREW 11/64-40 L=8				3
19	10704807	BOBBIN FRICTION WHEEL				1
20	SM8050602TP	SCREW M5 L=6				2
21	10502300	THREAD CUTTER				1
22	SS6090620SP	SCREW 9/64-40 L=6				2
23	21355755	LOWER THREAD GUIDE ASM.				1
24	21355706	FITTING BASE		*		1
25	D3162555B00	THREAD GUIDE		*		1
26	NS6110310SP	NUT 11/64-40		*		1
27	22945505	THREAD TENSION SPRING		*		1
28	40113092	THREAD TENSION DISK		*		2
29	21378708	THREAD TENSION POST		*		1
30	22945703	THREAD TENSION NUT		*		1
31	SM6040800SP	SCREW				2
32	22538706	PACKING				1

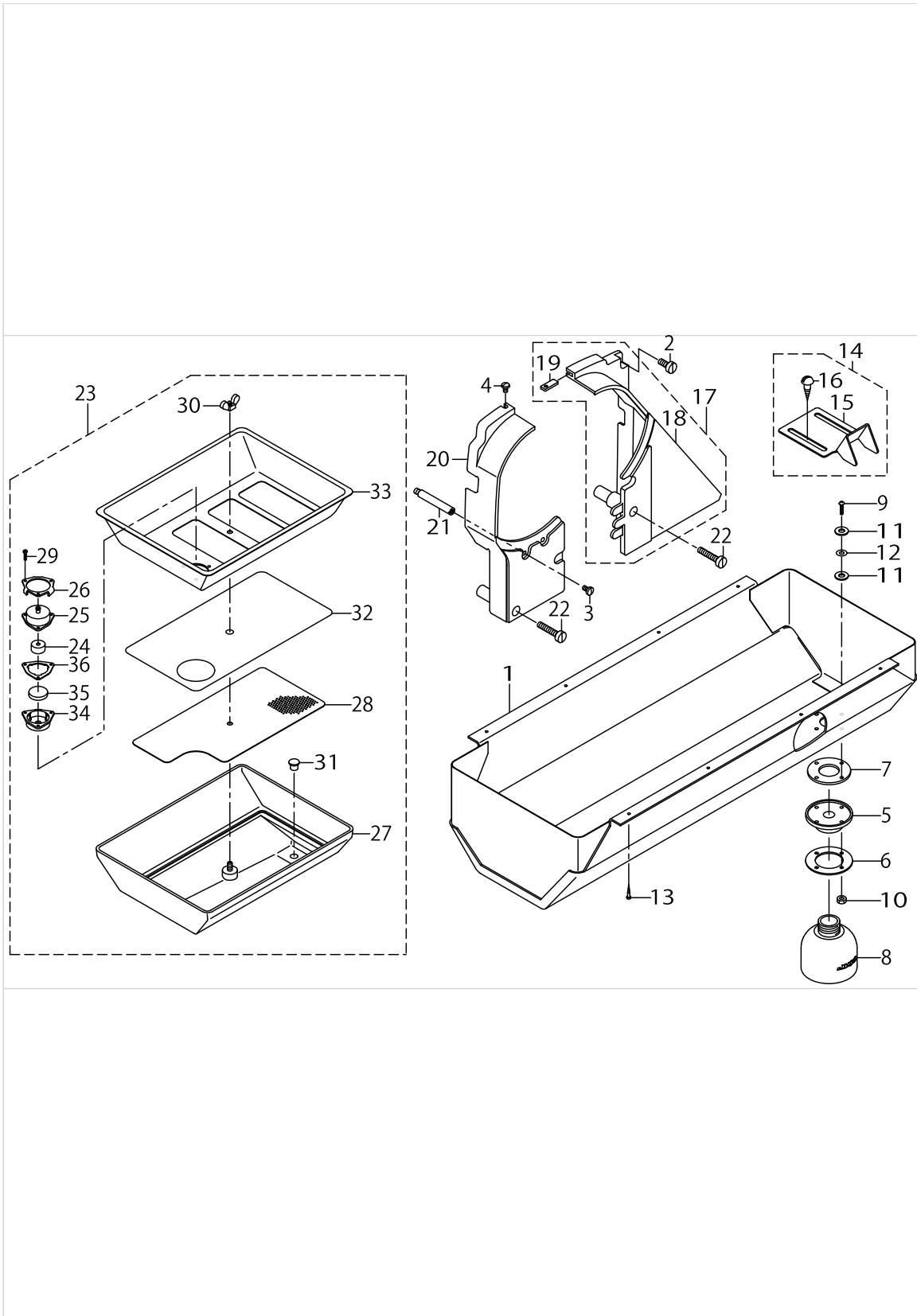
KNEE LIFTING COMPONENTS



KNEE LIFTING COMPONENTS

No.	Parts No.	Parts name	Remarks	Level	Cons	Qty
1	21343207	KNEE LIFTER SHAFT BASIS				1
2	SM6061202TP	SCREW M6 L=12				3
3	21342555	KNEE LIFTER SHAFT A ASM.				1
4	21342506	KNEE LIFTER SHAFT A		*		1
5	21342605	KNEE LIFTER SHAFT PIN		*		1
6	21343702	KNEE LIFTER SHAFT A SPRING				1
7	21343801	KNEE LIFTER SPRING RACK				1
8	SM6051602TP	SCREW M5X0.8 L=16				1
9	21342704	KNEE LIFTER SHAFT B				1
10	RE0800000K0	E-SHAPED SNAP RING (8MM)				1
11	21343009	KNEE LIFTER LEVER B				2
12	SM6052002TP	SCREW M5 L=20				2
13	21342803	KNEE LIFTER LEVER A				1
14	SM6052002TP	SCREW M5 L=20				1
15	SM8052502TP	SCREW M5X0.8 L=25				1
16	NM6050001SD	NUT M5X0.8				1
17	21342902	KNEE LIFTER LINK				1
18	SD0700451TP	HINGE SCREW D=7 H=4.5				2
19	21343405	KNEE LIFTER CONNECTING PLATE				1
20	SD0700451TP	HINGE SCREW D=7 H=4.5				2
21	21343355	KNEE LIFTER LEVER ASM.				1
22	SM6062502TP	SCREW M6 L=25				2
23	22863252	KNEE LIFTER JOINT ASM.				1
24	B3428521000	PRESSER SPRING		*		1
25	SS7090510SP	SCREW 9/64-40 L=4.6		*		1
26	22863203	KNEE LIFTER JOINT		*		1
27	22932453	BRACKET ASM.				1
28	22932404	BRACKET		*		1
29	22934707	SCREW		*		2
30	21343157	KNEE PRESS PLATE ASM.				1
31	SM9061203SE	SCREW M6 L=12		*		1
32	21343108	KNEE PRESS LEVER		*		1
33	22934509	KNEE PAD PLATE COVER		*		1
34	22934400	KNEE PAD PLATE RUBBER		*		1
35	22934202	KNEE PAD PLATE		*		1
36	22934301	KNEE PAD PLATE SUPPORT		*		1

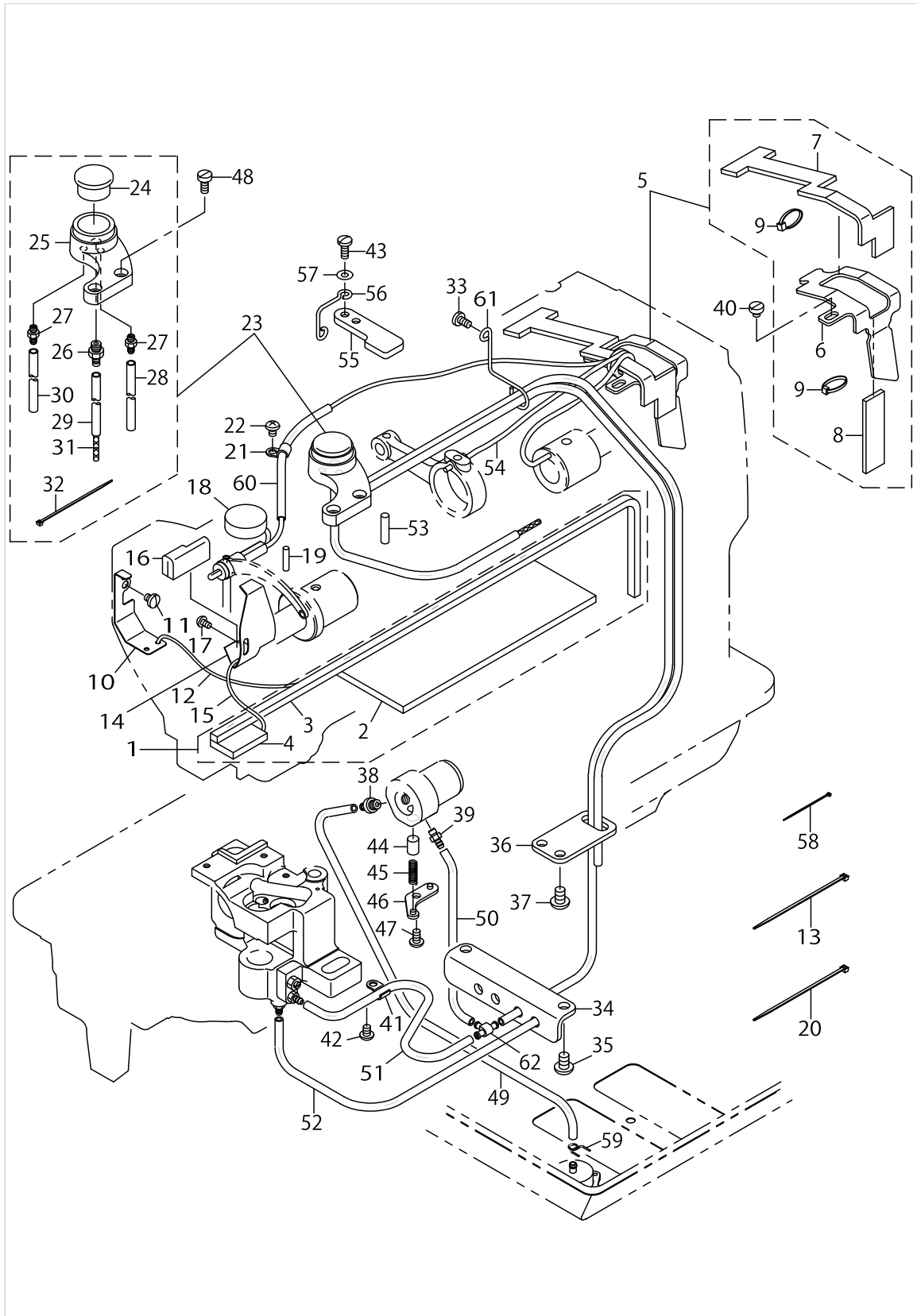
BELT COVER & OIL RESERVOIR COMPONENTS



BELT COVER & OIL RESERVOIR COMPONENTS

No.	Parts No.	Parts name	Remarks	Level	Cons	Qty
1	21351457	OIL RESERVOIR ASM.				1
2	SS6151440SP	SCREW 15/64-28 L=14				1
3	SS7110840SP	SCREW 11/64-40 L=7.8				1
4	SS5110740TP	SCREW 11/64-40 L=6.5				1
5	40025299	OIL POT JOINT				1
6	21379003	OIL MANAGEMENT WASHER				1
7	B8112220000	OIL SEAL				1
8	40025300	OIL POT				1
9	SM3031401SE	SCREW M3X0.5 L=14				4
10	NM6030001SC	NUT M3				4
11	10748101	OIL REMOVING SETSCREW PACKING				8
12	WP0320501SC	WASHER M3				4
13	SK3241601SC	WOOD SCREW D=2.4 L=16				8
14	10755254	BELT COVER C ASM. (FOR JE)				1
15	10755205	BELT COVER C(JE)		*		1
16	SK3482500SC	WOOD SCREW D=4.8 L=25		*		2
17	21351150	BELT COVER ASM. (RIGHT)				1
18	21351101	BELT COVER (RIGHT)		*		1
19	21351002	BELT COVER AUXILIARY PLATE		*		1
20	21351200	BELT COVER (LEFT)				1
21	D8232241E00	BELT COVER SUPPORT A				1
22	SS6153040SP	SCREW 15/64-28 L=30				2
23	21345350	OIL TANK ASM.				1
24	10727303	FILTER		*		1
25	10727204	FILTER CAP		*		1
26	10753002	FILTER PLATE		*		1
27	21345301	OIL TANK		*		1
28	21346804	COVER(LOWER)		*		1
29	SM6021000TP	SCREW		*		3
30	NM9050001SC	WING NUT M5X0.8		*		1
31	TA0800704R0	RUBBER PLUG		*		1
32	21346903	FILTER		*		1
33	21346705	COVER(REAR)		*		1
34	21345509	FILTER CASE		*		1
35	B8228125000	OIL RESERVOIR MAGNET		*		1
36	10739209	FILTER PACKING		*		1

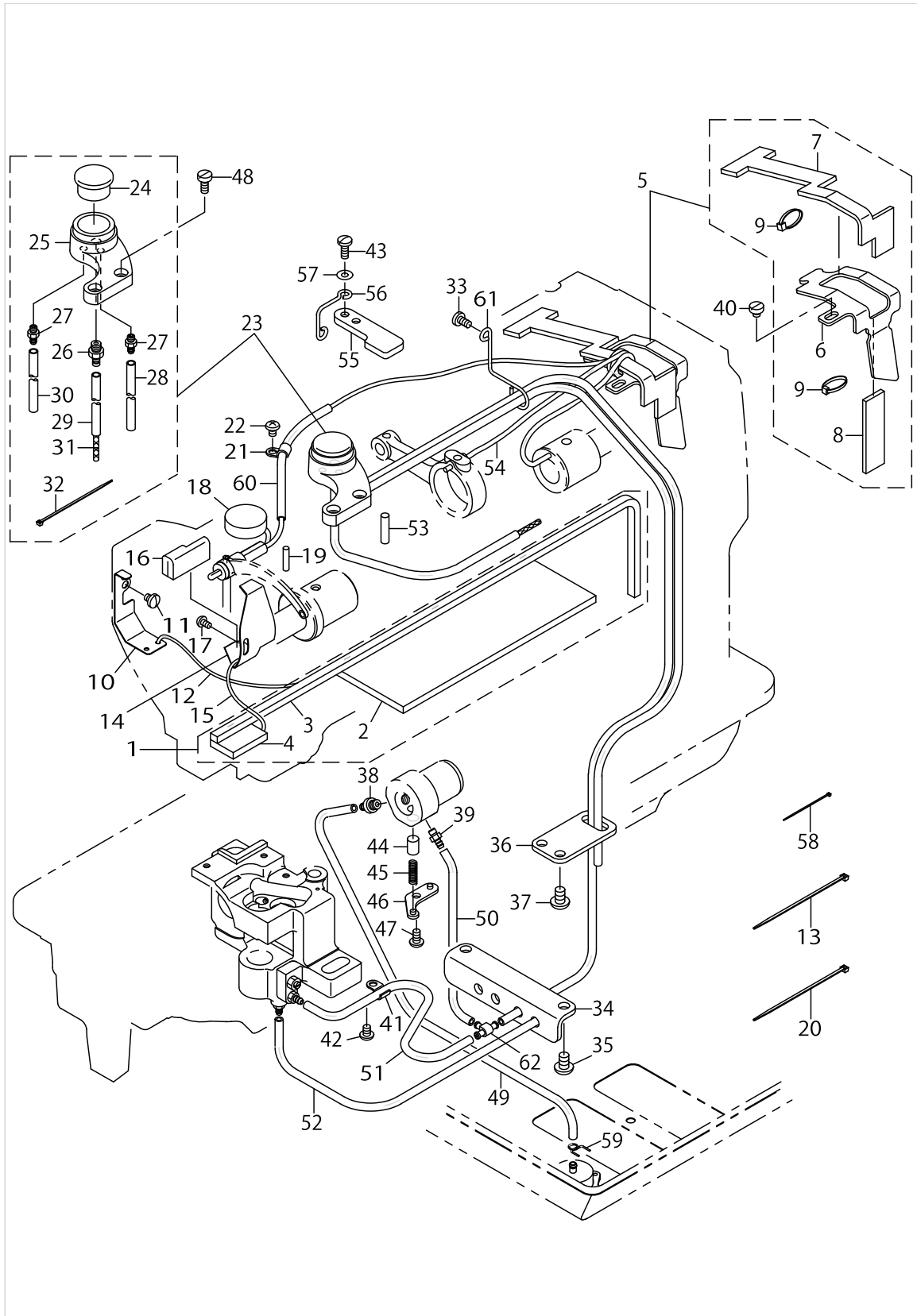
LUBRICATION COMPONENTS



LUBRICATION COMPONENTS

No.	Parts No.	Parts name	Remarks	Level	Cons	Qty
1	21345756	ARM ONCE THROUGH OIL FELT ASM.				1
2	21345707	ARM ONCE THROUGH FELT A		*		1
3	21345806	FELT B		*		1
4	21345905	FACE ONCE THROUGH FELT		*		1
5	21346358	FELT SUPPORT ASM.				1
6	21346309	FELT		*		1
7	21346507	FEED CHANGE FELT		*		1
8	21346408	FELT		*		1
9	EA9500B0000	CLIP CV-70S		*		2
10	21340708	UPPER FEED OIL BAR PLATE				1
11	SS7110510SP	SCREW 11/64-40 L=5				1
12	CQ202000000	OIL WICK				0.2
13	EA9500B0100	CABLE BAND				1
14	B1140051000	TAKE-UP OIL SPLASHER				1
15	CQ202000000	OIL WICK				0.25
16	21347208	TAKE-UP LUBRICATION FELT				1
17	SS3090610SP	SCREW 9/64-40 L=6				1
18	21346002	FELT				1
19	B1412051000	FELT				1
20	A407855000A	CLIP BAND				1
21	B3538112000	OIL RETURN TUBE HOLDER				1
22	SS4110615SP	SCREW 11/64-40 L=6				1
23	40051503	ARM OIL TANK ASM.				1
24	B3520586000	OIL SIGHT WINDOW		*		1
25	21345608	ARM OIL TANK		*		1
26	SQ1110401MZ	CONNECTING SCREW		*		1
27	SQ1150451MZ	CONNECTING SCREW		*		2
28	23630007	TUBE		*		0.5
29	23630007	TUBE		*		0.2
30	23630007	TUBE		*		0.6
31	CQ252000000	OIL WICK		*		0.7
32	EA9500B0100	CABLE BAND		*		3
33	SS7110830SP	SCREW 11/64-40 L=7.5				1
34	21345103	LUBRICATION BRACKET				1
35	SS4150915SP	SCREW 15/64-28 L=9				2
36	21345202	OIL PIPE STAY				1
37	SS4150915SP	SCREW 15/64-28 L=9				2
38	40064409	CONNECTION SCREW ASM.				1
39	SQ1110401MZ	CONNECTING SCREW				1
40	SS6110480SP	SCREW 11/64-40 L=4.3				1
41	B3538112000	OIL RETURN TUBE HOLDER				1
42	SS4110615SP	SCREW 11/64-40 L=6				1
43	SS7111120TP	SCREW				2
44	B3534155000	PLUNGER				1
45	B1214038000	PLUNGER SPRING				1
46	B3524552000	PLUNGER THRUST PLATE				1
47	SS4110815SP	SCREW 11/64-40 L=8				1

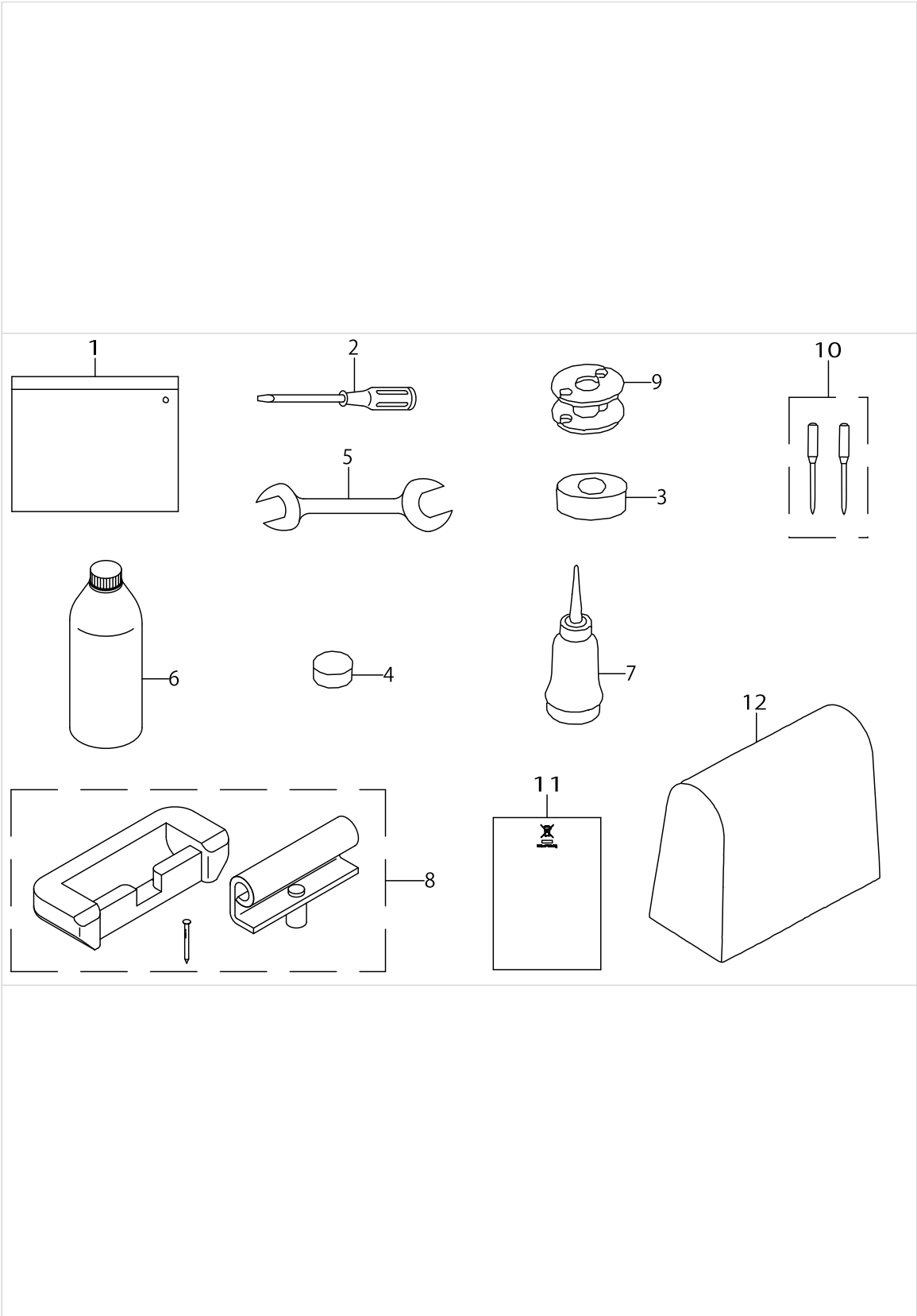
LUBRICATION COMPONENTS



LUBRICATION COMPONENTS

No.	Parts No.	Parts name	Remarks	Level	Cons	Qty
48	SS6111010TP	SCREW 11/64-40 L=9.5				2
49	23630007	TUBE				0.36
50	23630007	TUBE				0.16
51	23630007	TUBE				0.22
52	23630007	TUBE				0.35
53	PS0500202KP	SPRING PIN 5X20				1
54	CQ202000000	OIL WICK				0.2
55	21339700	UPPER FEED STOPPER PLATE (B)				1
56	22620504	OIL WICK HOLDER				1
57	WP0450801SD	WASHER 4.5X10X0.8				1
58	EA9500B0100	CABLE BAND				10
59	10126803	OIL TUBE HOLDER				1
60	BT0600402EA	OIL TUBE				0.12
61	21346606	PIPE SUPPORT				1
62	13765607	OIL CONNEC. ARM				1

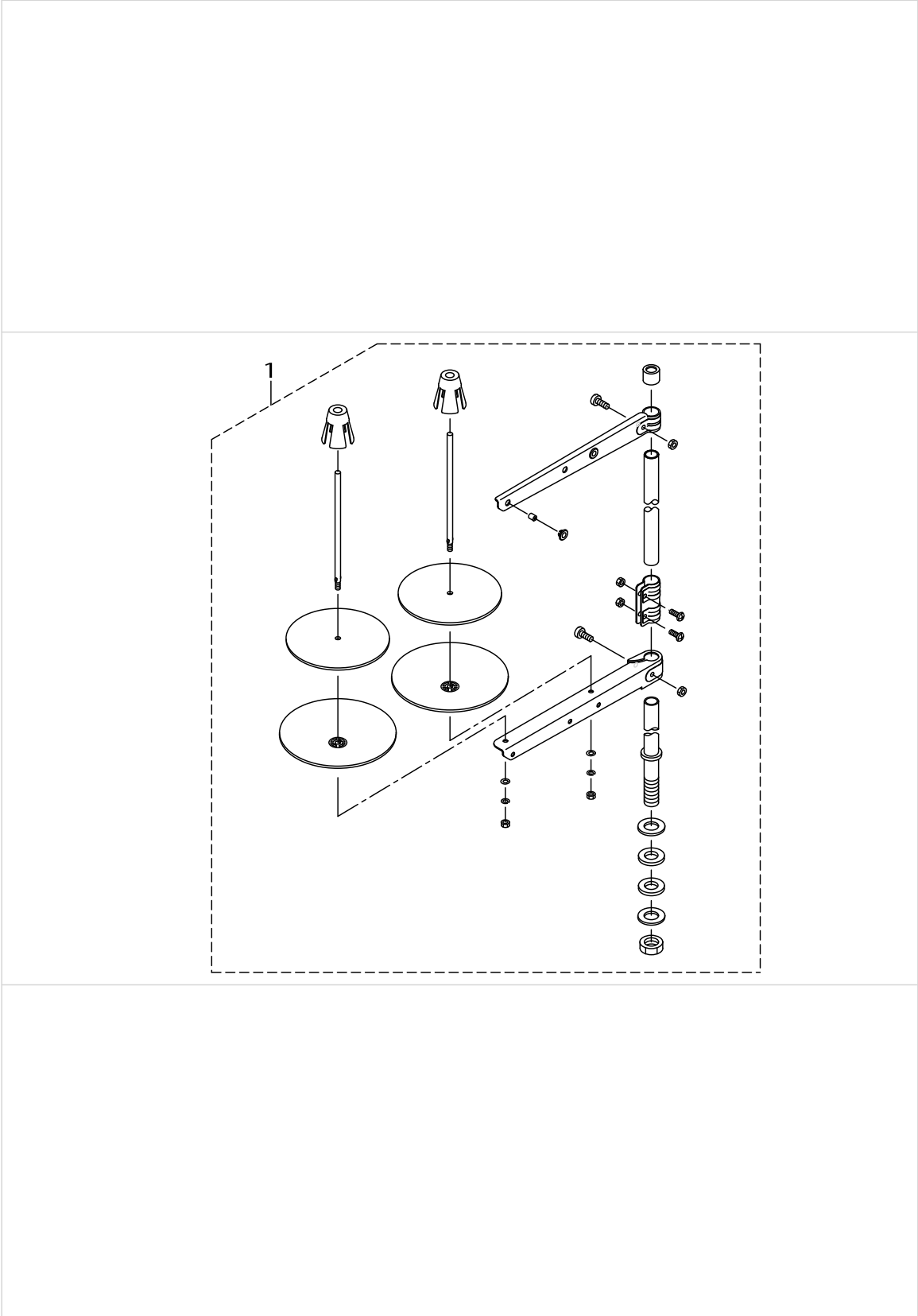
ACCESSORIES PARTS COMPONENTS



ACCESSORIES PARTS COMPONENTS

No.	Parts No.	Parts name	Remarks	Level	Cons	Qty
1	21413158	ACCESSORY BAG ASM.				1
2	22933006	SCREW DRIVER LARGE				1
3	B8209012000	RUBBER CUSHION				4
4	B8206012000	FELT CUSHION				4
5	B9113012000	WRENCH (9X10)				1
6	MDFRX2700C0	NEW DEFRIX OIL NO.2(700CC)				1
7	J1067000000	OILER				1
8	21413257	RUBBER HINGE ASM.				1
9	B9117563000	BOBBIN				1
10	M13517B1602	NEEDLE 135X17 #160-2				1
11	CM600100201	WEEE INFORMATION SHEET				1
12	22933303	VINYL COVER				1

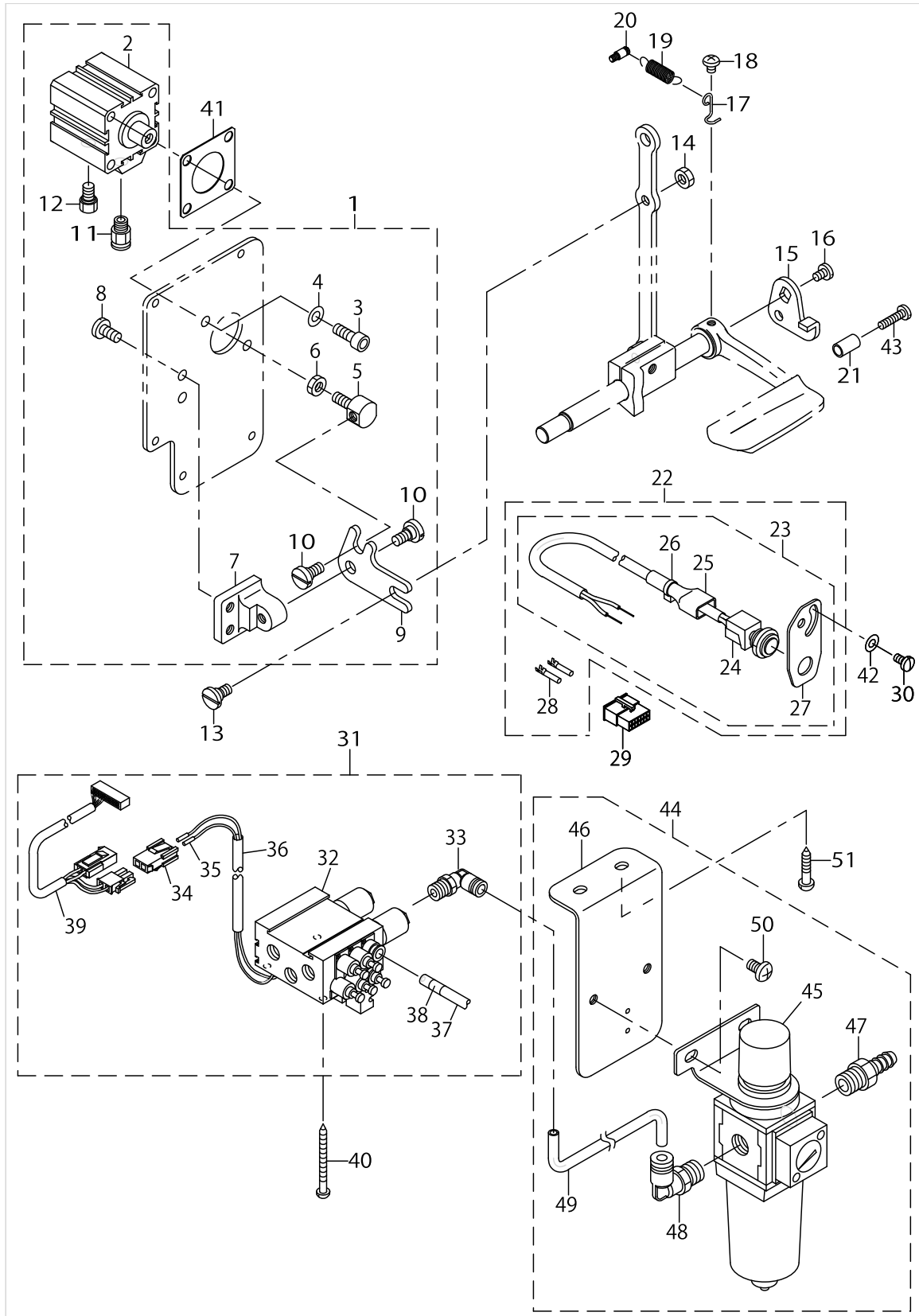
THREAD STAND COMPONENTS



THREAD STAND COMPONENTS

No.	Parts No.	Parts name	Remarks	Level	Cons	Qty
1	40096354	THREAD STAND ASM.				1

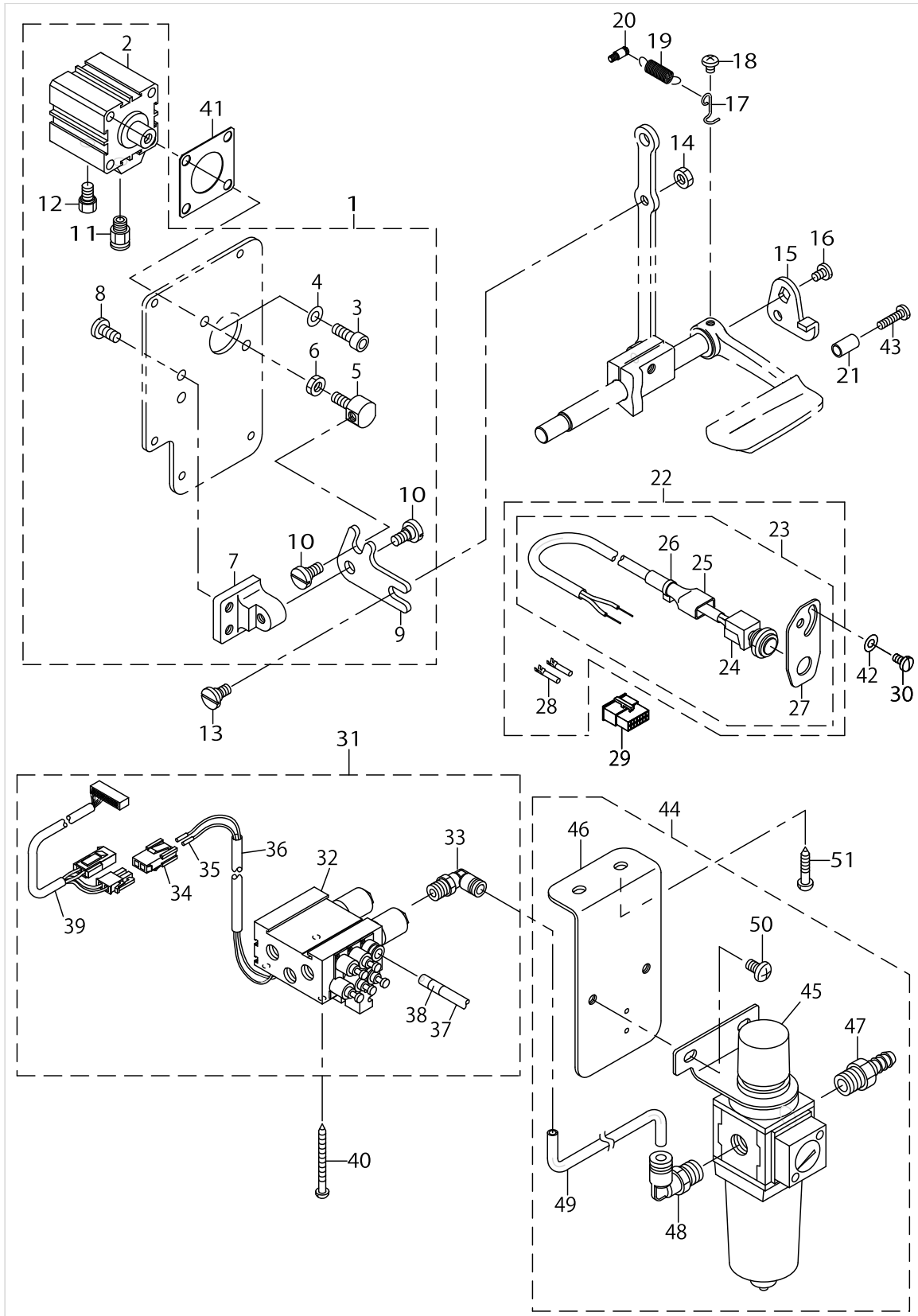
AUTOMATIC BACK COMPONENTS (OPTIONAL PARTS)



AUTOMATIC BACK COMPONENTS (OPTIONAL PARTS)

No.	Parts No.	Parts name	Remarks	Level	Cons	Qty
1	21348958	WINDOW PLATE ASM.				1
2	PA320150200	JIG CYLINDER		*		1
3	SM6061602TP	SCREW M6 L=16		*		2
4	WP0641601SD	WASHER M6		*		2
5	21348602	CYLINDER CONNECTING SCREW		*		1
6	NM6060003SC	NUT M6		*		1
7	21348503	FITTING BASE		*		1
8	SS7151210SP	SCREW 15/64-28 L=12		*		2
9	21348701	BACKWARD FEED LINK		*		1
10	SD0800352SP	HINGE SCREW D=8 H=3.5		*		2
11	PJ301065104	HALF UNION		*		1
12	PX015101000	MUFFLER		*		1
13	SD0800402TP	HINGE SCREW D=8 H=4				1
14	NS6150430SP	NUT 15/64-28				1
15	22656102	REVERSE FEED LINK (1)				1
16	SS7120760SP	SCREW 3/16-28 L=7.0				1
17	22656003	SPRING SUSPENSION				1
18	SS4120615SP	SCREW 3/16-28 L=6				1
19	26226209	SPRING				1
20	40023289	SPRING SUSPENSION				1
21	22952501	BACK LEVER STOPPER				1
22	40056366	BT SWITCH C ASM.				1
23	40056365	BT SWITCH B ASM.		*		1
24	40056364	BT SWITCH A ASM.		*		1
25	GTS01037000	CONNECTOR COVER		*		1
26	EA9500B0100	CABLE BAND		*		1
27	21388608	SWITCH FITTING PLATE		*		1
28	HK03464000A	TERMINAL FEMALE		*		2
29	HK034610140	HOUSING 14P				1
30	SS7110840SP	SCREW 11/64-40 L=7.8				2
31	40107488	AIR APPARATUS ASM.				1
32	40105335	ELECTROMAGNETIC VALVE (F)		*		1
33	GAK29001000	SOLENOID VALVE MOUNTING PLATE		*		1
34	HK034620020	2P PLUG		*		1
35	HK03463000A	TERMINAL		*		2
36	GAKA1503000	INSULATION TUBE		*		1
37	BT0600401EB	TUBE		*		1.3
38	HX002950000	WIRE MARK(1)		*		4
39	40105811	CORD ASM.		*		1
40	SK3385001SE	WOOD SCREW D=3.8 L=50				4
41	21349105	CYLINDER PACKING				1
42	WP0501016SD	WASHER 5X10.5X1				2
43	SS7111810SP	SCREW 11/64-40 L=18				1
44	40038722	FILTER REGULATAR ASM.				1
45	PF0552170A0	FILTER REGULATOR		*		1
46	40038723	FILTER REGULATOR MOUNTING PLATE		*		1
47	40107618	NIPPLE		*		1

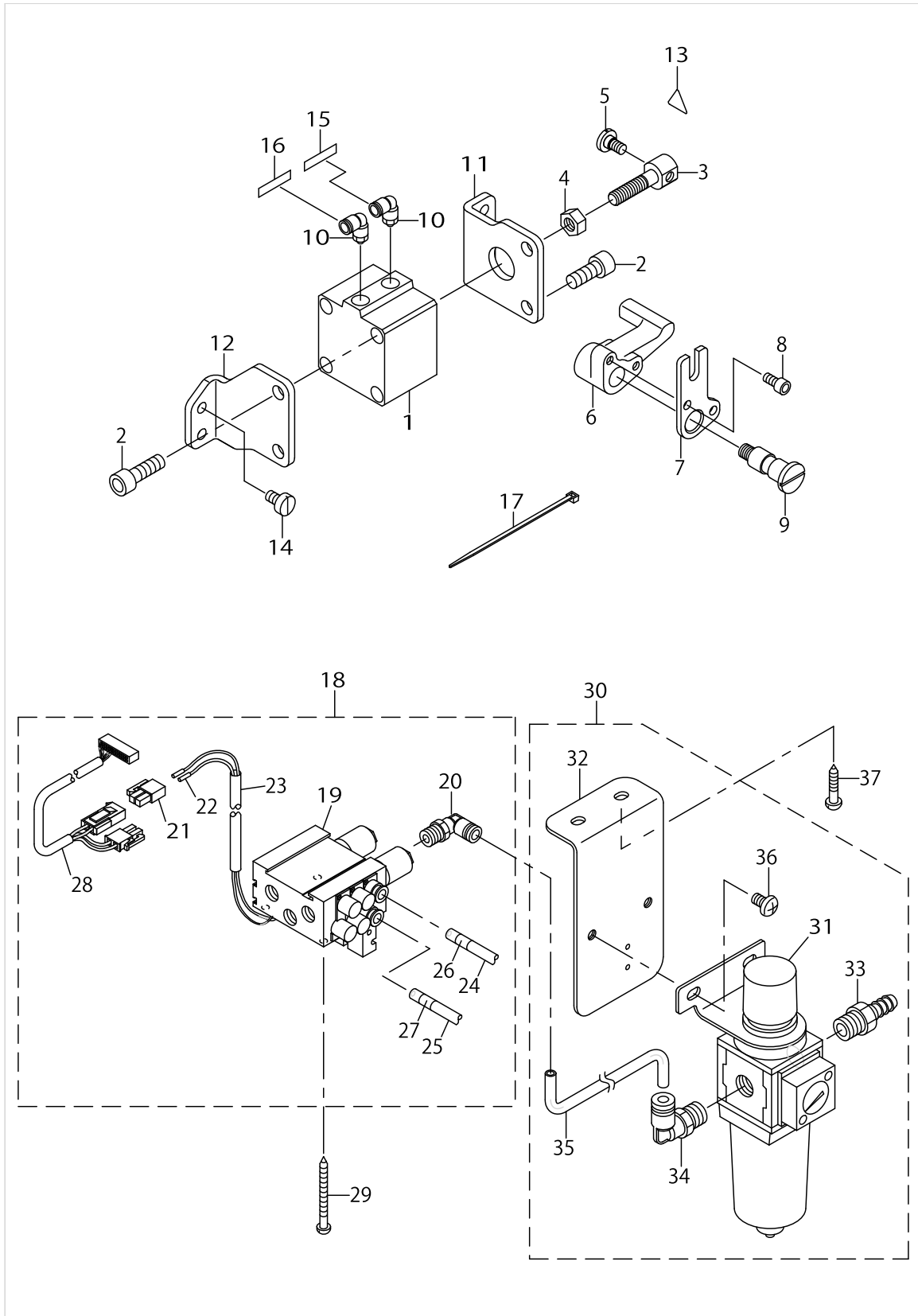
AUTOMATIC BACK COMPONENTS (OPTIONAL PARTS)



AUTOMATIC BACK COMPONENTS (OPTIONAL PARTS)

No.	Parts No.	Parts name	Remarks	Level	Cons	Qty
48	GAK29009000	ELBOW		*		1
49	BT0600401EB	TUBE		*		0.28
50	SM4061001SB	SCREW M6 L=10		*		2
51	SK3482501SE	WOOD SCREW D=4.8 L=25				2

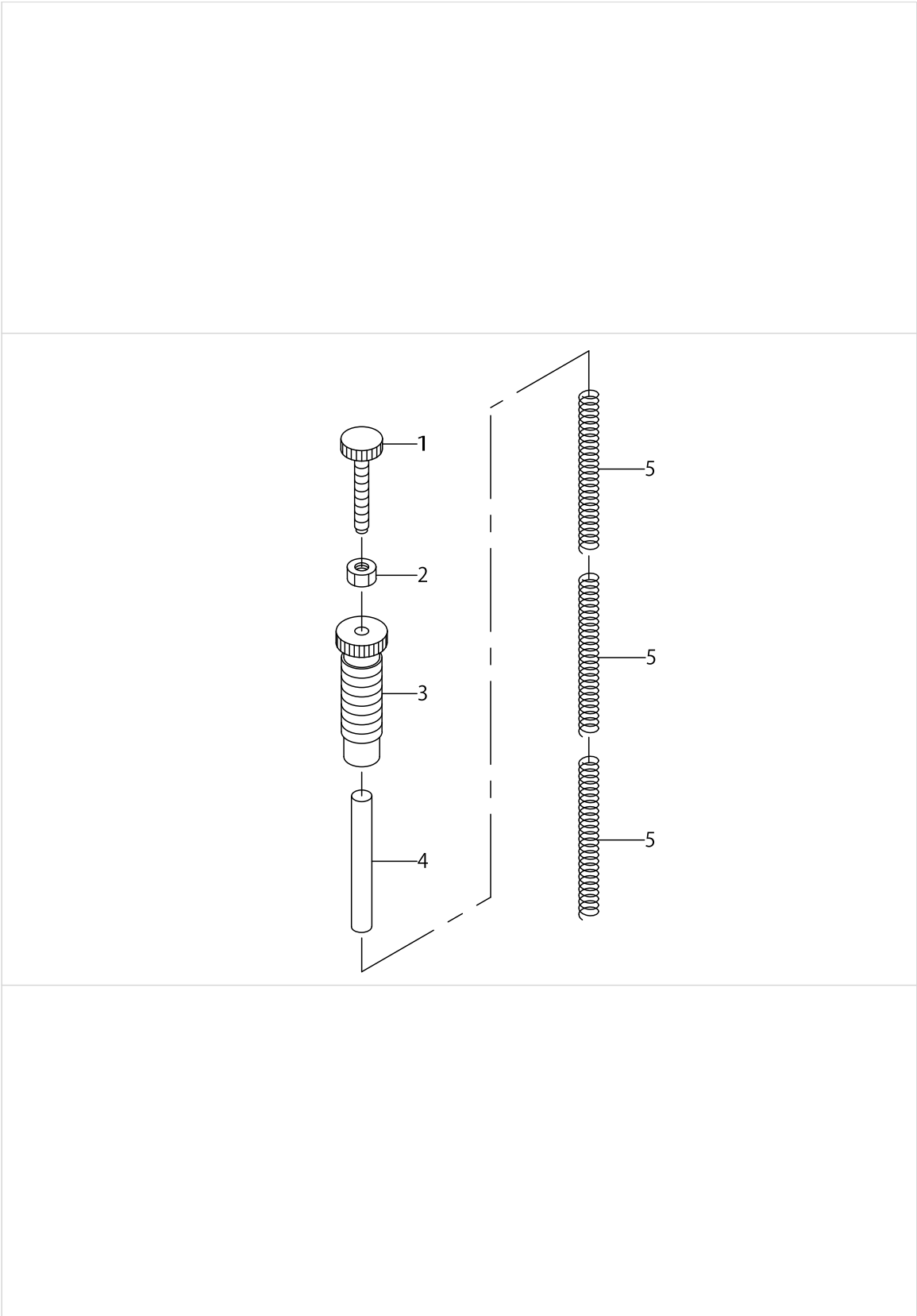
AUTOMATIC PRESSER LIFTING MECHANISM COMPONENTS (OPTIONAL PARTS)



AUTOMATIC PRESSER LIFTING MECHANISM COMPONENTS (OPTIONAL PARTS)

No.	Parts No.	Parts name	Remarks	Level	Cons	Qty
1	PA400150100	AIR CYLINDER				1
2	SM6082002TP	SCREW M8 L=20				4
3	21356506	CYLINDER CONNECTING SCREW				1
4	NM6080001SE	NUT M8				1
5	SD0720331SP	HINGE SCREW D=7.24 H=3.3				1
6	21356605	LEVER A				1
7	21356803	LEVER B				1
8	SM6051002TP	SCREW M5X0.8 L=10				2
9	21356704	SHAFT				1
10	PJ304065101	ELBOW UNION 6XPT1/8				2
11	21356308	CYLINDER STAY(FRONT)				1
12	21356407	CYLINDER STAY(REAR)				1
13	CM300200001	ATTENTION SEAL				1
14	SS6151040SP	SCREW 15/64-28 L=10				4
15	HX002950000	WIRE MARK(1)				1
16	HX00295000A	WIRE MARK(2)				1
17	EA9500B0100	CABLE BAND				3
18	40103003	AIR APPARATUS(P)ASM.				1
19	40038904	MAGNETIC VALVE(P)		*		1
20	GAK29010000	ELBOW B		*		1
21	HK034610020	2-POLE NYLON PLUG		*		1
22	HK03464000A	TERMINAL FEMALE		*		2
23	GAKA1503000	INSULATION TUBE		*		1
24	BT0600401EB	TUBE		*		1.3
25	BT0600401EB	TUBE		*		1.3
26	HX00295000A	WIRE MARK(2)		*		4
27	HX00295000B	WIRE MARK(3)		*		4
28	40105811	CORD ASM.		*		1
29	SK3385001SE	WOOD SCREW D=3.8 L=50				4
30	40038722	FILTER REGULATAR ASM.				1
31	PF0552170A0	FILTER REGULATOR		*		1
32	40038723	FILTER REGULATOR MOUNTING PLATE		*		1
33	40107618	NIPPLE		*		1
34	GAK29009000	ELBOW		*		1
35	BT0600401EB	TUBE		*		0.28
36	SM4061001SB	SCREW M6 L=10		*		2
37	SK3482501SE	WOOD SCREW D=4.8 L=25				2

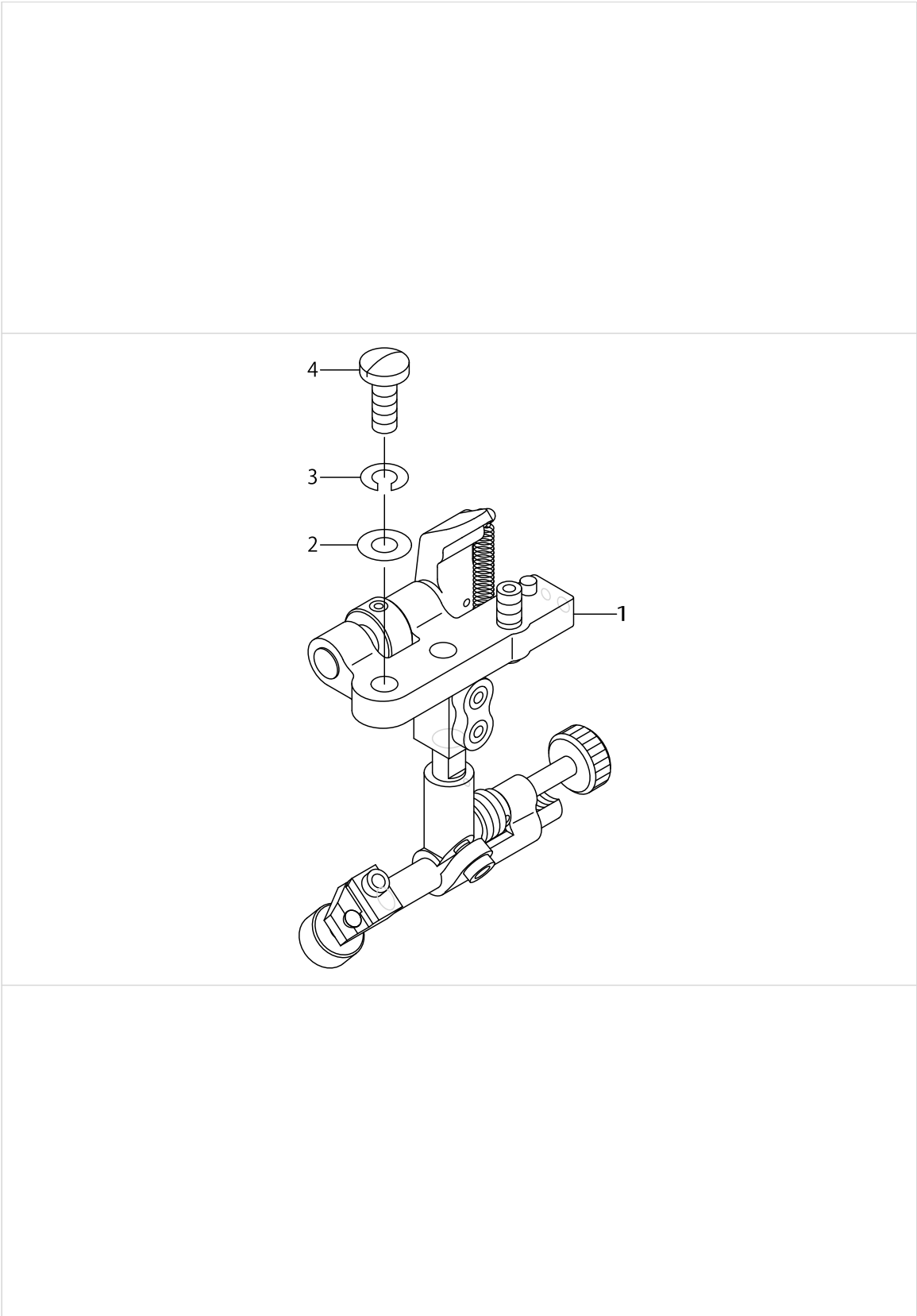
OPTIONAL PARTS (ADDITIONAL SPRING FOR PRESSER BAR) COMPONENTS



OPTIONAL PARTS (ADDITIONAL SPRING FOR PRESSER BAR) COMPONENTS

No.	Parts No.	Parts name	Remarks	Level	Cons	Qty
1	21006507	ADJUST SCREW B				1
2	NS6110530SP	NUT 11/64-40				1
3	21006408	ADJUST SCREW A				1
4	21342407	GUIDE SHAFT				1
5	21006002	ADJUST SPRING B				3










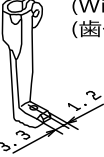

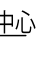
SUSPENSION SQUARE (OPTION) COMPONENTS



SUSPENSION SQUARE (OPTION) COMPONENTS

No.	Parts No.	Parts name	Remarks	Level	Cons	Qty
1	MAH152010A0	RULER				1
2	WP0621016SD	WASHER 6.2X13X1				2
3	WS0610002KN	SPRING WASHER 6.1X12.2X1.5				2
4	SS7151610SP	SCREW 15/64-28 L=16				2

OPTIONAL PARTS COMPONENTS (1)

Item	Walking foot		Item	Presser foot							
	品名	中足		品名	外足						
For piping パイピング用		(Commonly used for every size of presser foot) (各サイズ共用)									
		Ref.No.				Part No.	Size(mm)	Ref.No.	Part No.		
		1				B1478-245-000	4.4mm(5/32)	12	B1530-245-0AC		
							4.8mm(3/16)	13	B1530-245-0AD		
							6.4mm(1/4)	14	B1530-245-0AF		
							7.9mm(5/16)	15	B1530-245-0AH		
		9.5mm(3/8)	16	B1530-245-0AK							
For piping パイピング用											
						Size(mm)	Ref.No.	Part No.	Size(mm)	Ref.No.	Part No.
						4.4mm(5/32)	2	B1478-245-000	4.4mm(5/32)	17	B1531-245-0AC
						4.8mm(3/16)	3	B1479-245-00D	4.8mm(3/16)	18	B1531-245-0AD
						6.4mm(1/4)	4	B1479-245-00F	6.4mm(1/4)	19	B1531-245-0AF
						7.9mm(5/16)	5	B1479-245-00H	7.9mm(5/16)	20	B1531-245-0AH
9.5mm(3/8)			9.5mm(3/8)								
For piping パイピング用											
						Size(mm)	Ref.No.	Part No.	Size(mm)	Ref.No.	Part No.
						4.4mm(5/32)	6	B1474-245-00C	4.4mm(5/32)	21	B1527-245-0AC
						4.8mm(3/16)	7	B1474-245-00D	4.8mm(3/16)	22	B1527-245-0AD
						6.4mm(1/4)	8	B1474-245-00F	6.4mm(1/4)	23	B1527-245-0AF
						7.9mm(5/16)	9	B1474-245-00H	7.9mm(5/16)	24	B1527-245-0AH
9.5mm(3/8)	10	B1474-245-00K	9.5mm(3/8)	25	B1527-245-0AK						
For piping パイピング用		(With teeth) (歯付き)		(With teeth) (歯付き)							
		Ref.No.		Part No.		Ref.No.	Part No.				
	11	103-38309	26	B1525-563-SA0							

OPTIONAL PARTS COMPONENTS (1)

No.	Parts No.	Parts name	Remarks	Level	Cons	Qty
1	B1478245000	INNER PRESSER				1
2	B1478245000	INNER PRESSER				1
3	B147924500D	CENTER PRESSER FOOT 3/16				1
4	B147924500F	BACK CUT INNER PRESSER 1/4				1
5	B147924500H	BACK CUT INNER PRESSER 5/16				1
6	B147424500C	INNER PRESSER 5/32				1
7	B147424500D	INNER PRESSER (BLADE) 3/16				1
8	B147424500F	WALKING FOOT F				1
9	B147424500H	INNER PRESSER 5/16				1
10	B147424500K	CENTER PRESSER FOOT 3/8				1
11	10338309	UPPER FEED FOOT				1
12	B15302450AC	OUTER PRESSER ASM. 5/32				1
13	B15302450AD	OUTER PRESSER FOOT ASM. 3/16.				1
14	B15302450AF	OUTER PRESSER FOOT 1/4 ASM.				1
15	B15302450AH	OUTER PRESSER FOOT ASM. (5/16)				1
16	B15302450AK	OUTER PRESSER FOOT ASM. (3/8)				1
17	B15312450AC	OUTER PRESSER FOOT ASM. (5/32)				1
18	B15312450AD	OUTER PRESSER FOOT ASM. 3/16				1
19	B15312450AF	OUTER PRESSER ASM. 1/4				1
20	B15312450AH	FEEDING FRAME 5/16 ASM.				1
21	B15272450AC	OUTER PRESSER FOOT ASM. 5/32				1
22	B15272450AD	FEEDING FRAME 3/16 ASM.				1
23	B15272450AF	OUTER PRESSER ASM. 1/4				1
24	B15272450AH	OUTER PRESSER FOOT ASM. 5/16				1
25	B15272450AK	OUTER PRESSER FOOT ASM. 3/8				1
26	B1525563SA0	PRESSER FOOT ASM.				1

OPTIONAL PARTS COMPONENTS (2)

Item 品名	Walking foot 中足	Presser foot 外足	Item 品名	Throat plate 針板	Feed dog 送り歯
Ref.No.	1	7	Ref.No.	12	14
Part No.	MAQ-09307000	MAQ-093080A0	Part No.	B1109-562-A00	B1613-562-A00
		/			
Ref.No.	2		Ref.No.	13	15
Part No.	MAN-10452000	Part No.	B1109-563-C00	B1613-563-C00	
			Item 品名		
Ref.No.	3	8	Feed driving eccentric 上下送り加		
Part No.	B1476-245-00A	B1529-245-0AA			
			Ref.No.	16	17
Ref.No.	4	9	Part No.	B1840-051-000	213-78104
Part No.	103-25306	103-25157			
Ref.No.	5	10			
Part No.	103-26205	103-26304			
Ref.No.	6	11			
Part No.	B1470-245-000	B1524-245-0A0			

OPTIONAL PARTS COMPONENTS (2)

No.	Parts No.	Parts name	Remarks	Level	Cons	Qty
1	MAQ09307000	WALKING FOOT				1
2	MAN10452000	UPPER FEED FOOT				1
3	B147624500A	INNER PRESSER				1
4	10325306	WALKING FOOT				1
5	10326205	UPPER FEED FOOT				1
6	B1470245000	WALKING FOOT				1
7	MAQ093080A0	PRESSER FOOT ASM.				1
8	B15292450AA	OUTER PRESSER FOOT ASM. RIGHT				1
9	10325157	PRESSER FOOT ASM.				1
10	10326304	PRESSER FOOT				1
11	B15242450A0	PRESSER FOOT ASM.				1
12	B1109562A00	THROAT PLATE (WIDE)				1
13	B1109563C00	THROAT PLATE				1
14	B1613562A00	FEED (WIDE)				1
15	B1613563C00	FEED DOG C				1
16	B1840051000	FEED DRIVING ECCENTRIC				1
17	21378104	FEED DRIVING ECCENTRIC				1

HOW TO MAKE USE OF THIS PARTS LIST

1.Explanation of codes

1)"*"mark.....means this part is changed from the previous parts book.

As to the details of the change, refer to the "List for information of change".

2)"#01".....refer to "Note" explanation at bottom of page.

2.Codes on the "Qty" column

• Each numeral indicates the number of parts required.

• "0.1" and "2.5" indicate the length (in meters) of the respective parts.

3.Parentheses mean that the corresponding part is a subpart that constructs an assembly part.

4.Dotted lines on the Figures indicate assembly parts.

1."注記"欄の記号説明

1) "*"印.....前回のパーツブックに比較して今回変更された部品を意味します。

変更内容は、"変更情報リスト"を参照してください。

2) "#01".....ページ下の"注記"の説明を参照してください。

2.数量欄の数字は、個数を表し、0.1、2.5等の数値は、長さ（単位メートル）を表します。

3.数量欄の（ ）は、組部品を構成している子部品であることを意味します。

4.イラストページの-----枠は、組構成であることを意味します。

NUMERICAL INDEX OF PARTS

PART NO	PAGE	REF NO.	PART NO	PAGE	REF NO.	PART NO	PAGE	REF NO.
10109700	20	13-41~ 48	14512503	26	17	21339700	34	55
			17912106	2	26	21340401	12	1
10109809	20	13-41~ 48	21006002	46	5	21340500	12	2
10109908	20	16	21006408	46	3	21340708	32	10
10110906	20	13-41~ 48	21006507	46	1	21340906	12	42
			21331202	2	11	21341151	12	46
10111003	20	13-41~ 48	21331301	2	4	21342407	46	4
			21331608	2	18	21342506	28	4
10111102	20	13-41~ 48	21331756	2	8	21342555	28	3
			21331806	2	12	21342605	28	5
10111201	20	13-41~ 48	21332002	2	13	21342704	28	9
10112407	20	17	21332200	2	46	21342803	28	13
10112506	20	13-41~ 48	21332309	2	16	21342902	28	17
			21332507	6	13	21343009	28	11
10112605	20	13-41~ 48	21332705	6	1	21343108	28	32
			21333000	6	2	21343157	28	30
10112704	22	13-41~ 48	21333109	6	18	21343207	28	1
10122000	18	64	21333406	8	57	21343355	28	21
10124204	24	13	21333604	20	25	21343405	28	19
10126803	34	59	21333901	8	48	21343702	28	6
10201200	2	42	21334008	6	29	21343801	28	7
10205201	16	20	21334701	20	15	21345103	32	34
10308609	10	11	21335104	20	1	21345202	32	36
10320109	24	3	21336003	16	2	21345301	30	27
10321107	24	24~26	21336052	16	1	21345350	30	23
10325157	52	9	21336300	18	54	21345509	30	34
10325306	52	4	21336607	16	47	21345608	32	25
10326205	52	5	21336656	16	46	21345707	32	2
10326304	52	10	21336805	16	40	21345756	32	1
10337905	14	55	21337209	16	38	21345806	32	3
10338309	50	11	21337308	16	33	21345905	32	4
10502300	26	21	21337407	16	26	21346002	32	18
10509701	12	22	21337506	16	23	21346309	32	6
10618304	26	8	21337605	16	35	21346358	32	5
10704807	26	19	21337704	16	24	21346408	32	8
10727204	30	25	21337803	16	27	21346507	32	7
10727303	30	24	21337902	16	31	21346606	34	61
10739209	30	36	21338306	16	29	21346705	30	33
10741106	24	14	21338603	10	18	21346804	30	28
10748101	30	11	21338801	10	20	21346903	30	32
10753002	30	26	21338900	10	22	21347109	12	13
10755205	30	15	21339007	10	28	21347208	32	16
10755254	30	14	21339056	10	27	21347406	10	30
13138201	24	8	21339106	6	8	21348206	24	24~26
13765607	34	62	21339304	10	25	21348503	40	7

NUMERICAL INDEX OF PARTS

PART NO	PAGE	REF NO.	PART NO	PAGE	REF NO.	PART NO	PAGE	REF NO.
21348602	40	5	21405204	10	2	22933303	36	12
21348701	40	9	21406103	14	48	22934202	28	35
21348958	40	1	21406509	12	28	22934301	28	36
21349105	40	41	21406608	14	57	22934400	28	34
21349204	18	51·61	21408505	2	25	22934509	28	33
21349303	18	51·61	21408554	2	24	22934707	28	29
21349600	2	38	21413158	36	1	22945505	24	15
21349709	2	39	21413257	36	8	22945505	26	27
21350004	14	59	21427307	20	26	22945703	24	16
21351002	30	19	21437900	12	36	22945703	26	30
21351101	30	18	21441050	24	2	22952501	40	21
21351150	30	17	21441100	24	17	23006406	24	24~26
21351200	30	20	22537658	26	2	23208556	4	51
21351457	30	1	22538151	26	4	23630007	32	52
21353008	6	23	22538706	26	32	23630007	34	52
21355706	26	24	22602601	2	47	23636202	26	5
21355755	26	23	22604300	8	61	26225201	12	29
21355904	2	6	22609309	16	15	26226209	40	19
21356001	26	6	22609408	16	12	40016148	8	56
21356308	44	11	22611701	22	50	40016798	2	1
21356407	44	12	22611909	22	51	40018339	12	16
21356506	44	3	22617906	24	9	40018340	14	63
21356605	44	6	22618201	24	7	40018341	12	23
21356704	44	9	22619100	2	43	40019926	16	36
21356803	44	7	22620504	34	56	40023289	40	20
21357959	26	3	22656003	40	17	40025299	30	5
21357967	26	1	22656102	40	15	40025300	30	8
21364104	16	10	22814909	10	32	40027746	10	26
21378104	52	17	22863203	28	26	40033026	12	12
21378302	12	5	22863252	28	23	40033027	12	11
21378302	16	13	22877609	2	9	40033029	12	19
21378500	20	14	22901805	2	45	40033030	12	24
21378708	26	29	22904106	12	7	40033031	12	40
21378906	18	52	22904106	16	18	40033032	12	39
21379003	30	6	22904155	12	6	40038692	6	4
21387402	6	25	22904155	16	17	40038700	8	50
21387501	6	31	22907604	12	43	40038702	8	51
21387600	6	34	22911804	16	42	40038722	40	44
21387709	6	33	22912000	16	44	40038722	44	30
21387808	6	38	22912109	16	45	40038723	40	46
21387907	8	59	22921308	24	12	40038723	44	32
21388004	18	59	22921407	24	11	40038904	44	19
21388400	10	16	22932404	28	28	40039326	12	4
21388608	40	27	22932453	28	27	40042611	22	35·52
21402300	6	27	22933006	36	2	40051503	32	23

NUMERICAL INDEX OF PARTS

PART NO	PAGE	REF NO.	PART NO	PAGE	REF NO.	PART NO	PAGE	REF NO.
40056364	40	24	B1414232000	10	23	B15312450AF	50	19
40056365	40	23	B1414555000	12	21	B15312450AH	50	20
40056366	40	22	B1418761000	18	48	B1604012000A	16	7
40064409	32	38	B1420563000	10	1	B1604051000	16	3
40096354	38	1	B1437051000	10	6	B1611055000	18	62
40103003	44	18	B1462053000	12	47	B1613562A00	52	14
40103925	24	1	B14670530A0	12	25	B1613563C00	52	15
40104367	6	44	B1467563000	10	14	B1639051000	6	46
40105335	40	32	B1468053000	12	26	B18035150A0	20	29
40105811	40	39	B1470241H00	14	51	B1816051000	20	40
40105811	44	28	B1470241HA0	14	50	B1817051000	20	35-52
40107488	40	31	B1470245000	52	6	B1820563000	20	2
40107618	40	47	B1471241H00	14	60	B1821051000	20	3
40107618	44	33	B147424500C	50	6	B1822563000	20	6
40108675	2	22	B147424500D	50	7	B1823051000	20	7
40113092	26	28	B147424500F	50	8	B1824563000	20	10
40113224	6	36	B147424500H	50	9	B18305630A0	20	23
40125273	2	20	B147424500K	50	10	B1834512000A	20	21
40143083	6	26	B147624500A	52	3	B1840051000	20	32-33
40152631	2	3	B1478245000	50	2	B1840051000	52	16
40162860	20	38	B147924500D	50	3	B184005100A	20	32-33
40197296	6	21	B147924500F	50	4	B1905563000	6	3
40197297	6	16	B147924500H	50	5	B1906051000	6	5
A321600100A	26	9	B1501241H00	14	58	B1907051000	6	6
A407855000A	32	20	B1502246000	12	44	B3025141H00A	18	65
B1109562A00	52	12	B1510141H00	12	38	B3125012000	24	6
B1109562D00	4	49	B1510155000	14	49	B3128520000	24	4
B1109563000	2	36	B15242450A0	52	11	B3129526000	24	10
B1109563C00	52	13	B1525241H00	14	54	B31370510A0	24	5
B1111563000	2	34	B1525241HA0	14	53	B3138512000	2	32
B1132521000	2	27	B1525563SA0	50	26	B3205210000	26	10
B1140051000	32	14	B15272450AC	50	21	B3428521000	28	24
B1148555000	26	11	B15272450AD	50	22	B3520586000	32	24
B1210051000	6	11	B15272450AF	50	23	B3524552000	32	46
B1214019000	6	32	B15272450AH	50	24	B3534155000	32	44
B1214038000	32	45	B15272450AK	50	25	B3538112000	32	41
B1308055000	6	35	B15292450AA	52	8	B8112220000	30	7
B1310055000	6	37	B152989000CA	26	7	B8206012000	36	4
B1313055000	6	47	B15302450AC	50	12	B8209012000	36	3
B1314055000	6	39	B15302450AD	50	13	B8228125000	30	35
B1401053000	10	7	B15302450AF	50	14	B9113012000	36	5
B1410771000	10	24	B15302450AH	50	15	B9117563000	20	24
B1411053000	10	8	B15302450AK	50	16	B9117563000	36	9
B1412051000	10	10	B15312450AC	50	17	BT0600401EB	40	49
B1412051000	32	19	B15312450AD	50	18	BT0600401EB	42	49

NUMERICAL INDEX OF PARTS

PART NO	PAGE	REF NO.	PART NO	PAGE	REF NO.	PART NO	PAGE	REF NO.
BT0600401EB	44	35	HX002950000	40	38	SD0640322TP	6	42
BT0600402EA	34	60	HX002950000	44	15	SD0700451TP	28	20
CM300200001	2	44	HX00295000A	44	26	SD0720331SP	44	5
CM300200001	44	13	HX00295000B	44	27	SD0800352SP	40	10
CM301300001	4	48	J1067000000	36	7	SD0800402TP	16	34
CM600100201	36	11	M13517B1600	10	13	SD0800402TP	40	13
CQ202000000	6	19	M13517B1602	36	10	SD0800481SP	12	45
CQ202000000	10	4	MAH152010A0	48	1	SD0900701TP	16	21
CQ202000000	16	49	MAN10452000	52	2	SD1000801SH	18	53
CQ202000000	18	49	MAQ09307000	52	1	SK3241601SC	30	13
CQ202000000	20	9	MAQ093080A0	52	7	SK3385001SE	40	40
CQ202000000	32	54	MDFRX2700C0	36	6	SK3385001SE	44	29
CQ202000000	34	54	NM6030001SC	30	10	SK3482500SC	30	16
CQ252000000	14	61	NM6050001SD	28	16	SK3482501SE	42	51
CQ252000000	32	31	NM6060003SC	40	6	SK3482501SE	44	37
CQ3000000F0	12	15	NM6080001SE	44	4	SM3031401SE	30	9
CQ303000000	6	9	NM9050001SC	30	30	SM4061001SB	42	50
CQ505000000	6	12	NS6110310SP	24	20	SM4061001SB	44	36
CS1201010SH	18	55	NS6110310SP	26	26	SM6021000TP	30	29
CS1201011SH	18	56	NS6110420SP	20	22	SM6040800SP	26	31
D1455055B00	12	33	NS6110530SP	12	35	SM6051002TP	44	8
D1456055B00	12	32	NS6110530SP	46	2	SM6051602TP	28	8
D3162555B00	24	21	NS6150310SP	18	68	SM6052002TP	28	14
D3162555B00	26	25	NS6150430SP	40	14	SM6061202TP	28	2
D8232241E00	30	21	NS6680320SP	16	22	SM6061602TP	40	3
EA9500B0000	12	14	PA320150200	40	2	SM6061802TP	16	39
EA9500B0000	32	9	PA400150100	44	1	SM6062502TP	12	37
EA9500B0100	10	31	PF0552170A0	40	45	SM6062502TP	28	22
EA9500B0100	32	58	PF0552170A0	44	31	SM6082002TP	44	2
EA9500B0100	34	58	PJ301065104	40	11	SM6082502TP	20	20
EA9500B0100	40	26	PJ304065101	44	10	SM8050502TP	16	6
EA9500B0100	44	17	PS0500202KP	34	53	SM8050602TP	26	20
GAK29001000	40	33	PS0600502KP	24	22	SM8050612TP	18	50
GAK29009000	42	48	PX015101000	40	12	SM8052502TP	28	15
GAK29009000	44	34	RC0560711KP	26	12	SM8060602TP	6	28
GAK29010000	44	20	RE0500000K0	6	45	SM8080802TP	10	21
GAKA1503000	40	36	RE0500000K0	26	13	SM8080812TP	6	15
GAKA1503000	44	23	RE0500711KP	16	8	SM9061203SE	28	31
GTS01037000	40	25	RE0800000K0	28	10	SQ1110401MZ	22	49
HK034610020	44	21	RE0900000K0	18	58	SQ1110401MZ	32	39
HK034610140	40	29	RO092270200	16	43	SQ1150451MZ	32	27
HK034620020	40	34	RO092270200	26	14	SS2090710TP	2	52
HK03463000A	40	35	SB120000200	8	53	SS2090710TP	4	52
HK03464000A	40	28	SD0380551SL	2	28	SS2110920TP	2	37
HK03464000A	44	22	SD0470281SP	24	19	SS3090610SP	32	17

NUMERICAL INDEX OF PARTS

PART NO	PAGE	REF NO.	PART NO	PAGE	REF NO.	PART NO	PAGE	REF NO.
SS4080620TP	24	18	SS7110840SP	30	3	TA0800704R0	30	31
SS4110515SP	2	35	SS7110840SP	40	30	TA1050504R0	2	40
SS4110615SP	32	42	SS7110910TP	10	15	TA1250504R0	2	41
SS4110815SP	2	17	SS7110910TP	12	41	TA1450404R0	2	30
SS4110815SP	32	47	SS7110910TP	16	25	WP0320501SC	30	12
SS4111215SP	2	2	SS7110910TP	24	23	WP0371016SD	20	11
SS4120615SP	40	18	SS7111120TP	32	43	WP0450801SD	34	57
SS4150915SP	4	53	SS7111410TP	16	11	WP0482086SD	12	34
SS4150915SP	32	37	SS7111810SP	20	8	WP0501016SD	40	42
SS5090610SP	2	21	SS7111810SP	40	43	WP0501046SC	12	18
SS5110740TP	30	4	SS7120760SP	8	54	WP0621016SD	16	5
SS6090520SP	26	16	SS7120760SP	40	16	WP0621016SD	48	2
SS6090620SP	26	22	SS7150740SP	14	56	WP0641601SD	40	4
SS6090810SP	20	12	SS7150910TP	2	19	WP0650876SD	18	67
SS6090910TP	14	62	SS7151210SP	40	8	WP0850002SP	20	19
SS6091022TP	10	19	SS7151610SP	48	4	WS0610002KN	48	3
SS6110480SP	32	40	SS7621040SP	2	7			
SS6110520TP	18	63	SS8110422TP	22	53			
SS6110810TP	26	18	SS8111010TP	6	43			
SS6111010TP	34	48	SS8111010TP	12	31			
SS6111610SP	16	37	SS8150510TP	20	34			
SS6120930TP	18	60	SS8150710SP	12	9			
SS6121210TP	18	66	SS8150710TP	8	58			
SS6121610TP	16	16	SS8150822TP	6	30			
SS6121860SP	16	41	SS8150822TP	16	28			
SS6151040SP	44	14	SS8151150TP	10	5			
SS6151440SP	30	2	SS8151150TP	16	14			
SS6151780SP	12	27	SS8151150TP	20	31			
SS6151920SP	12	30	SS8151550SP	6	20			
SS6152440SP	10	29	SS8660530TP	8	49			
SS6153040SP	20	18	SS8660530TP	20	37			
SS6153040SP	30	22	SS8660610TP	12	8			
SS6661110SP	8	60	SS8660610TP	16	57			
SS7080510TP	10	12	SS8660610TP	18	57			
SS7090510SP	28	25	SS8660612TP	6	40			
SS7090520TP	2	33	SS8660612TP	12	3			
SS7090610SP	16	30	SS8660670SP	20	36			
SS7090910SP	10	9	SS8660810TP	6	22			
SS7090910TP	16	32	SS8660810TP	20	39			
SS7091410SP	26	15	SS8661030SP	8	52			
SS7110510SP	12	20	SS9151440CP	16	4			
SS7110510SP	32	11	TA0620504R0	4	50			
SS7110710SP	6	24	TA0750704R0	2	31			
SS7110830SP	10	17	TA0750704R0	8	55			
SS7110830SP	32	33	TA0750704R0	12	10			