

MODEL : LU-1561N/LU-1561N-7

List No : 1339-08

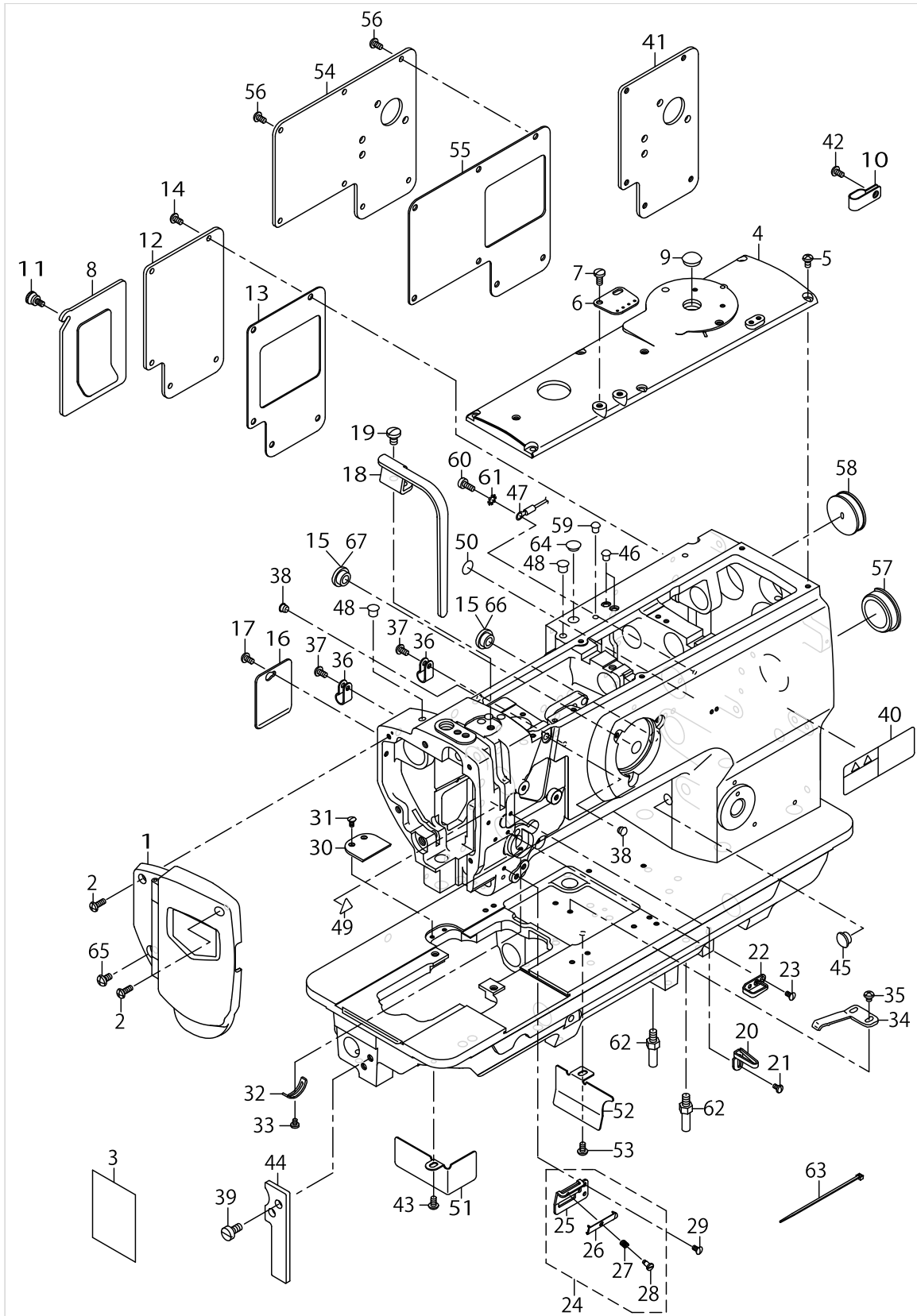
PARTS LIST

Published:11/30/2017

CONTENTS

| | |
|---|----|
| FRAME & MISCELLANEOUS COVER COMPONENTS | 1 |
| UPPER SHAFT,LOWER SHAFT DRIVING & BALANCE COMPONENTS | 5 |
| NEEDLE BAR ROCKING COMPONENTS | 9 |
| PRESSURE ADJUSTING & UPPER FEED MECHANISM COMPONENTS..... | 11 |
| FEED MECHANISM COMPONENTS..... | 15 |
| HOOK SHAFT & LOWER SHAFT COMPONENTS | 19 |
| THREAD CUTTING COMPONENTS (FOR LU-1561N-7) | 23 |
| AUTOMATIC BACK COMPONENTS (FOR LU-1561N-7) | 27 |
| THREAD TENSION COMPONENTS | 29 |
| THREAD RELEASE COMPONENTS (FOR LU-1561N-7)..... | 31 |
| KNEE LIFTING COMPONENTS | 33 |
| LOWER THREAD WINDER MECHANISM COMPONENTS | 35 |
| AUTOMATIC PRESSER LIFTING MECHANISM COMPONENTS (FOR LU-1561N-7)..... | 37 |
| AIR MECHANISM COMPONENTS (FOR LU-1561N-7) | 39 |
| LUBRICATION COMPONENTS | 41 |
| GAUGE COMPONENTS..... | 45 |
| THREAD STAND COMPONENTS..... | 47 |
| BELT COVER & OIL RESERVOIR COMPONENTS..... | 49 |
| AUTOMATIC BACK COMPONENTS (OPTIONAL PARTS)..... | 51 |
| AUTOMATIC PRESSER LIFTING MECHANISM COMPONENTS (OPTIONAL PARTS) | 55 |
| OPTIONAL PARTS (ADDITIONAL SPRING FOR PRESSER BAR) COMPONENTS | 57 |
| DL MECHANISM COMPONENTS (OPTIONAL PARTS) | 59 |
| SUSPENSION SQUARE COMPONENTS (OPTIONAL PARTS) | 61 |
| ACCESSORIES PARTS COMPONENTS | 63 |
| TABLE OF EXCHANGING GAUGE PARTS..... | 65 |
| LIST FOR INFORMATION OF CHANGE..... | 67 |
| HOW TO MAKE USE OF THIS PARTS LIST | 68 |

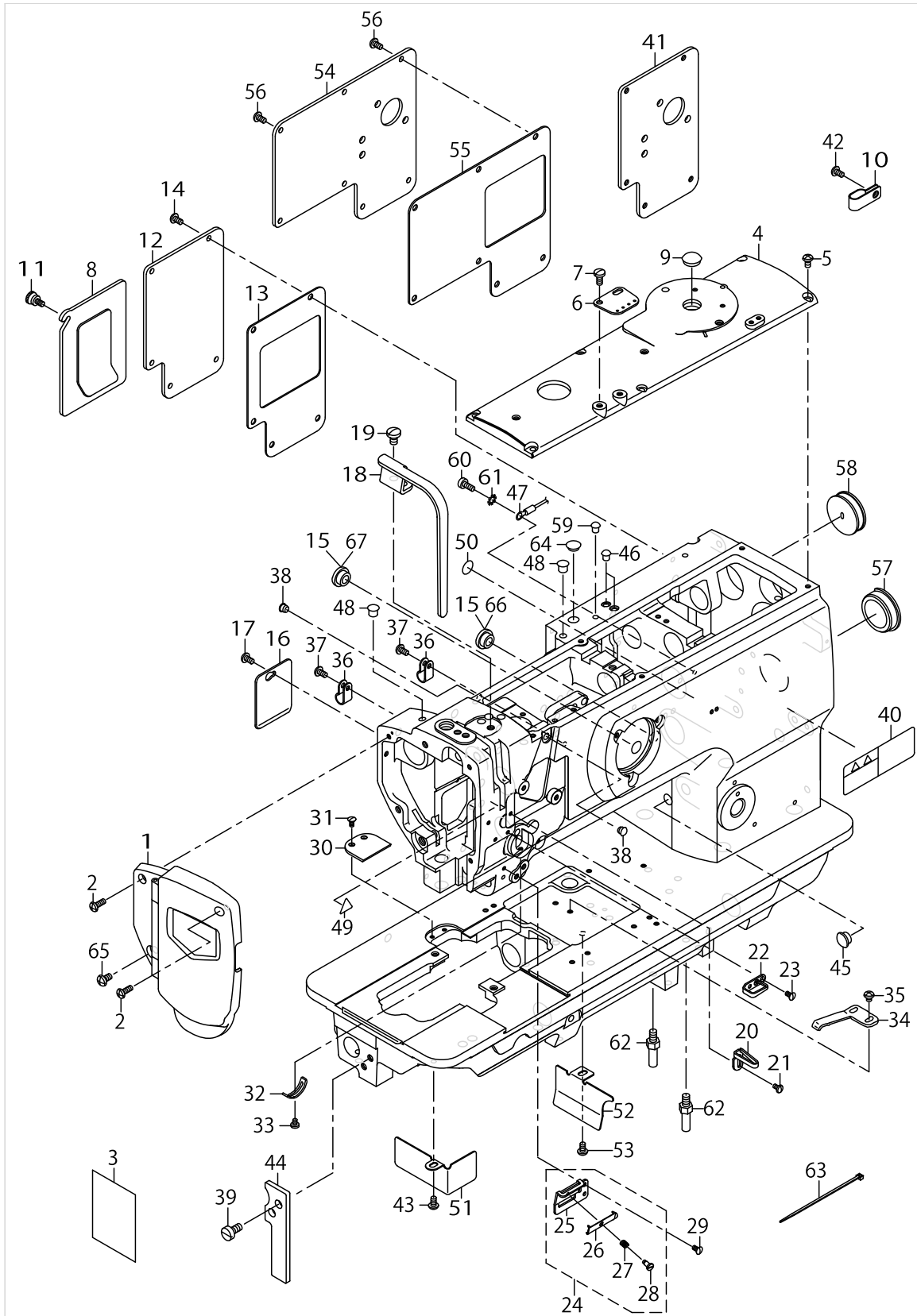
FRAME & MISCELLANEOUS COVER COMPONENTS



FRAME & MISCELLANEOUS COVER COMPONENTS

| No. | Parts No. | Parts name | Remarks | Level | Cons | Qty |
|-----|-------------|--------------------------------|----------------|-------|------|-----|
| 1 | 40016798 | FACE PLATE ASM. | | | | 1 |
| 2 | SS4111215SP | SCREW 11/64-40 L=12 | | | | 2 |
| 3 | 40152631 | LUBRICATION SUPPLEMENT | | | | 1 |
| 4 | 21331301 | TOP COVER B | | | | 1 |
| 5 | SS4110815SP | SCREW 11/64-40 L=8 | | | | 6 |
| 6 | 21355904 | ARM THREAD GUIDE | | | | 1 |
| 7 | SS7621040SP | SCREW 3/16-32 L=9.5 | | | | 2 |
| 8 | 21331756 | WINDOW PLATE A ASM. | FOR LU-1561N | | | 1 |
| 9 | TA1450404R0 | RUBBER PLUG D=14.5 L=4 | FOR LU-1561N | | | 1 |
| 10 | D2112555B00 | CORD HOLDER LARGE | FOR LU-1561N-7 | | | 1 |
| 11 | 21331202 | SETSCREW | FOR LU-1561N | | | 1 |
| 12 | 21331806 | WINDOW PLATE B | FOR LU-1561N | | | 1 |
| 13 | 21332002 | WINDOW PLATE PACKING B | FOR LU-1561N | | | 1 |
| 14 | SS4110815SP | SCREW 11/64-40 L=8 | FOR LU-1561N | | | 5 |
| 15 | TA1250504R0 | RUBBER PLUG | FOR LU-1561N | | | 2 |
| 16 | 21332309 | SIDE COVER | FOR LU-1561N | | | 1 |
| 17 | SS4110815SP | SCREW 11/64-40 L=8 | FOR LU-1561N | | | 1 |
| 18 | 21331608 | BALANCE COVER | | | | 1 |
| 19 | SS7150910TP | SCRE 15/64-28 L=9 | | | | 1 |
| 20 | 40108674 | THREAD GUIDE | | | | 1 |
| 21 | SS5090610SP | SCREW 9/64-40 L=6 | | | | 1 |
| 22 | 40108675 | FRAME THREAD GUIDE | | | | 1 |
| 23 | SS2090710TP | SCREW 9/64-40 L=7.2 | | | | 1 |
| 24 | 21408554 | THREAD GUIDE ASM. | | | | 1 |
| 25 | 21408505 | THREAD GUIDE PLATE | | * | | 1 |
| 26 | 17912106 | NEEDLE THREAD PRESSER PLATE | | * | | 1 |
| 27 | B1132521000 | THREAD PRESSER PLATE SPRING | | * | | 1 |
| 28 | SD0380551SL | HINGE SCREW D=3.80 H=5.5 | | * | | 1 |
| 29 | SS2090710TP | SCREW 9/64-40 L=7.2 | | | | 1 |
| 30 | 22651202 | AUXILIARY COVER | | | | 1 |
| 31 | SS2090710TP | SCREW 9/64-40 L=7.2 | | | | 2 |
| 32 | B3138512000 | TAKE-UP SPRING ADJUSTING PLATE | | | | 1 |
| 33 | SS7090520TP | SCREW 9/64-40 L= 4.5 | | | | 1 |
| 34 | B1111563000 | BED SLIDE SPRING | | | | 1 |
| 35 | SS4110515SP | SCREW 11/64-40 L=5 | | | | 2 |
| 36 | HX00123000A | CABLE CLIP | FOR LU-1561N-7 | | | 2 |
| 37 | SS4110815SP | SCREW 11/64-40 L=8 | FOR LU-1561N-7 | | | 2 |
| 38 | TA0620504R0 | CAP | | | | 2 |
| 39 | SS6151210SP | SCREW 15/64-28 L=12 | | | | 2 |
| 40 | CM301300001 | SAFETY LABEL | | | | 1 |
| 41 | 21348909 | WIDOW PLATE D | OPTIONAL PARTS | | | 1 |
| 42 | SS4110815SP | SCREW 11/64-40 L=8 | FOR LU-1561N-7 | | | 1 |
| 43 | SS4110815SP | SCREW 11/64-40 L=8 | | | | 1 |
| 44 | 21361407 | BED SUPPORT PLATE | | | | 1 |
| 45 | TA1050504R0 | RUBBER PLUG | | | | 1 |
| 46 | TA0550604R0 | RUBBER PLUG | | | | 2 |
| 47 | 22951552 | GROUND WIRE ASM. | FOR LU-1561N-7 | | | 1 |

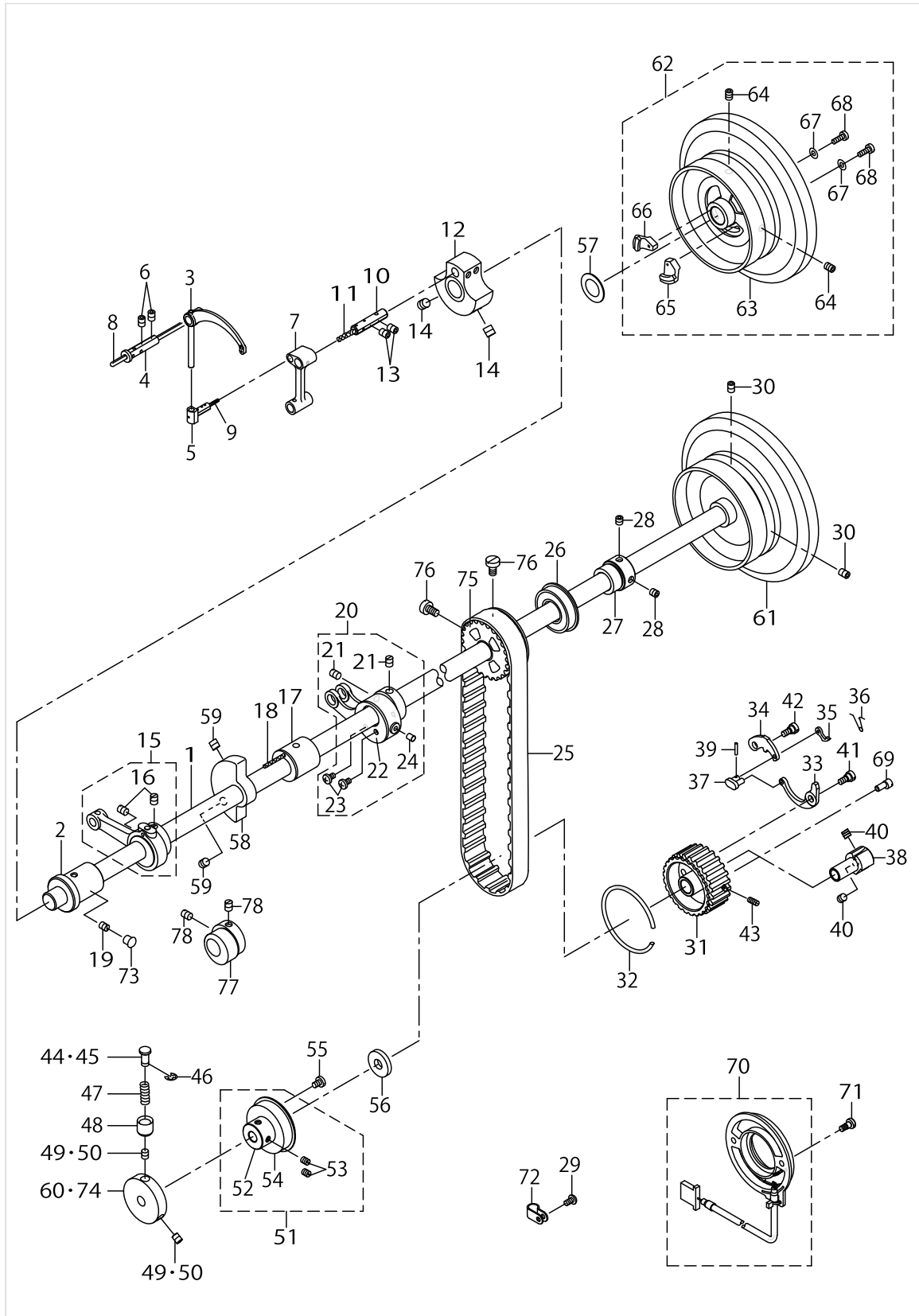
FRAME & MISCELLANEOUS COVER COMPONENTS



FRAME & MISCELLANEOUS COVER COMPONENTS

| No. | Parts No. | Parts name | Remarks | Level | Cons | Qty |
|-----|-------------|------------------------|----------------|-------|------|-----|
| 48 | TA0750704R0 | RUBBER PLUG | | | | 2 |
| 49 | CM300200001 | ATTENTION SEAL | | | | 1 |
| 50 | 22901805 | GROUND MARK | | | | 1 |
| 51 | 21332200 | OIL SHIELD (LEFT) | | | | 1 |
| 52 | 22877609 | DUST COVER | FOR LU-1561N | | | 1 |
| 53 | SS4110815SP | SCREW 11/64-40 L=8 | FOR LU-1561N | | | 1 |
| 54 | 40107950 | WINDOW PLATE C | FOR LU-1561N-7 | | | 1 |
| 55 | 21332101 | WINDOW PLATE PACKING C | FOR LU-1561N-7 | | | 1 |
| 56 | SS4110815SP | SCREW 11/64-40 L=8 | FOR LU-1561N-7 | | | 6 |
| 57 | 22619100 | CAP | | | | 1 |
| 58 | 10201200 | RUBBER PLUG | | | | 1 |
| 59 | TA0550604R0 | RUBBER PLUG | FOR LU-1561N-7 | | | 1 |
| 60 | SS6111140SP | SCREW 11/64-40 L=11 | FOR LU-1561N-7 | | | 1 |
| 61 | WT0530002KS | TOOTHED WASHER D=5.3 | FOR LU-1561N-7 | | | 1 |
| 62 | 22602601 | BED SCREW STUD | | | | 2 |
| 63 | EA9500B0100 | CABLE BAND | FOR LU-1561N-7 | | | 2 |
| 64 | TA1250504R0 | RUBBER PLUG | | | | 1 |
| 65 | SS4150915SP | SCREW 15/64-28 L=9 | | | | 1 |
| 66 | TA1250504R0 | RUBBER PLUG | FOR LU-1561N-7 | | | 1 |
| 67 | 10622009 | COAD BUSH | FOR LU-1561N-7 | | | 1 |

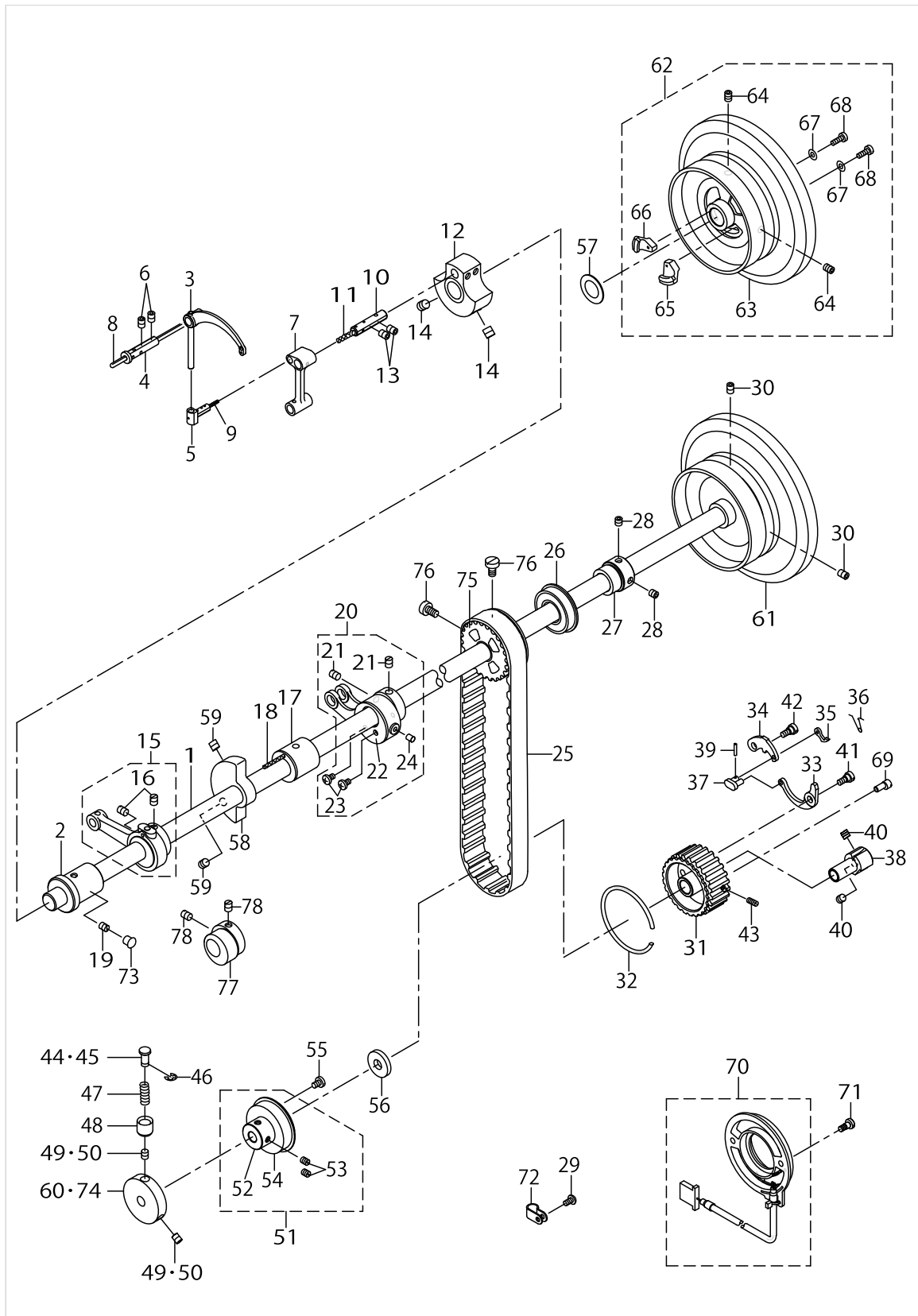
UPPER SHAFT, LOWER SHAFT DRIVING & BALANCE COMPONENTS



UPPER SHAFT,LOWER SHAFT DRIVING & BALANCE COMPONENTS

| No. | Parts No. | Parts name | Remarks | Level | Cons | Qty |
|-----|--------------|------------------------------|--|-------|------|------|
| 1 | 21332705 | UPPER SHAFT | | | | 1 |
| 2 | 21333000 | UPPER SHAFT FRONT METAL | | | | 1 |
| 3 | B1905520000 | THREAD TAKE-UP LEVER | | | | 1 |
| 4 | B1906051000 | TAKE-UP LEVER PIN | | | | 1 |
| 5 | B1907057000 | THRUST PIN | | | | 1 |
| 6 | SS8150822TP | SCREW 15/64-28 L=8 | | | | 2 |
| 7 | 21339106 | NEEDLE BAR CRANK ROD | | | | 1 |
| 8 | CQ303000000 | OIL WICK | | | | 0.45 |
| 9 | CQ202000000 | OIL WICK | | | | 0.03 |
| 10 | B1210051000 | NEEDLE BAR CRANK PIN | | | | 1 |
| 11 | CQ505000000 | OIL WICK | | | | 0.03 |
| 12 | 21332507 | COUNTER WEIGHT (A) (36MM) | | | | 1 |
| 13 | SS8150822TP | SCREW 15/64-28 L=8 | | | | 2 |
| 14 | SM8080812TP | SCREW M8X8 | | | | 2 |
| 15 | 40197297 | UPPER_FEED_CAM_ASM | FOR LU-1561N (WITHOUT THREAD TRIMMER) | | | 1 |
| 16 | SS8660810TP | SCREW 1/4-40 L=8 | | * | | 2 |
| 17 | 21333109 | UPPER SHAFT INNER METAL | | | | 1 |
| 18 | CQ202000000 | OIL WICK | | | | 0.15 |
| 19 | SS8150710TP | SCREW 15/64-28 L=7 | | | | 1 |
| 20 | 40197296 | HORIZONTAL_FEED_ROD_ASM | | | | 1 |
| 21 | SS8660810TP | SCREW 1/4-40 L=8 | | * | | 2 |
| 22 | 21353008 | HORIZONTAL FEED CAM COVER | | * | | 1 |
| 23 | SS7110710SP | SCREW 11/64-40 L=7 | | * | | 2 |
| 24 | 21387402 | FELT | | * | | 1 |
| 25 | 22604300 | TIMING BELT | | | | 1 |
| 26 | 40143083 | BEARING | | | | 1 |
| 27 | 21402300 | UPPER SHAFT BEARING HOOK | | | | 1 |
| 28 | SM8060602TP | SCREW M6X6 | | | | 2 |
| 29 | SS4110815SP | SCREW 11/64-40 L=8 | FOR LU-1561N-7 | | | 1 |
| 30 | SS8150822TP | SCREW 15/64-28 L=8 | | | | 2 |
| 31 | 21387501 | LOWER SPROCKET | | | | 1 |
| 32 | B1214019000 | SPROCKET RING | | | | 1 |
| 33 | 21387709 | SAFETY CLUTCH SPRING | | | | 1 |
| 34 | 21387600 | SAFETY CLUTCH HOOK | | | | 1 |
| 35 | B1308055000 | SAFETY CLUTCH COUNTER-HOOK | | | | 1 |
| 36 | 40113224 | COUNTER HOOK SPRING | | | | 1 |
| 37 | B1310055000 | SAFETY CLUTCH SMALL LINK | | | | 1 |
| 38 | 21387808 | SAFETY BASE | | | | 1 |
| 39 | B1314055000 | SAFETY CLUTCH SMALL LINK PIN | | | | 1 |
| 40 | SS8660612TP | SCREW 1/4-40 L=6 | | | | 2 |
| 41 | SD0640322TP | HINGE SCREW D=6.35 H=3.2 | | | | 1 |
| 42 | SD0640322TP | HINGE SCREW D=6.35 H=3.2 | | | | 1 |
| 43 | SS8111010TP | SCREW 11/64-40 L=9.5 | | | | 1 |
| 44 | B1312563000A | SAFETY CLUTCH PUSH BUTTON | FOR LU-1561N | | | 1 |
| 45 | 40104367 | SAFETY CLUTCH PUSH BUTTON | FOR LU-1561N-7 | | | 1 |
| 46 | RE0500000K0 | E-RING | | | | 1 |

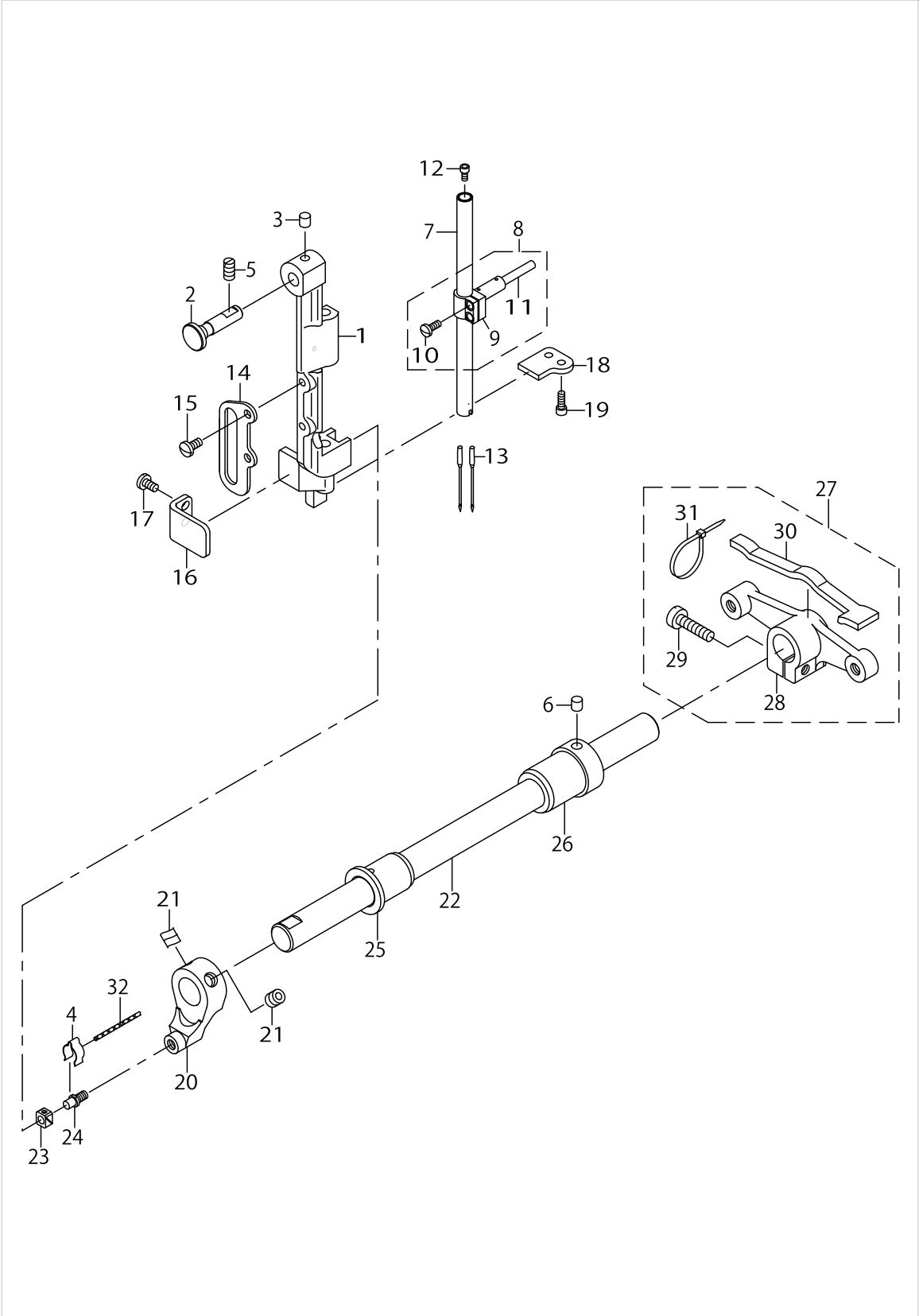
UPPER SHAFT, LOWER SHAFT DRIVING & BALANCE COMPONENTS



UPPER SHAFT,LOWER SHAFT DRIVING & BALANCE COMPONENTS

| No. | Parts No. | Parts name | Remarks | Level | Cons | Qty |
|-----|-------------|----------------------------|---|-------|------|-----|
| 47 | B1639051000 | SPRING | | | | 1 |
| 48 | B1313055000 | SAFETY CLUTCH KNOB SLEEVE | | | | 1 |
| 49 | SS8150710TP | SCREW 15/64-28 L=7 | FOR LU-1561N | | | 2 |
| 50 | SS8660530TP | SCREW 1/4-40 L=4.5 | FOR LU-1561N-7 | | | 2 |
| 51 | 40038700 | THRUST COLLAR ASM. | | | | 1 |
| 52 | 40038702 | THRUST COLLAR | | * | | 1 |
| 53 | SS8661030SP | SCREW 1/4-40 L=10 | | * | | 2 |
| 54 | SB120000200 | BEARING 20X42 | | * | | 1 |
| 55 | SS7120760SP | SCREW 3/16-28 L=7.0 | | | | 2 |
| 56 | 40016148 | THRUST COLLAR B WASHER | | | | 1 |
| 57 | 22606206 | SPACER Y | FOR LU-1561N-7 | | | 1 |
| 58 | 21333406 | BALANCER | FOR LU-1561N | | | 1 |
| 59 | SS8151550SP | SCREW 15/64-28 L=15 | FOR LU-1561N | | | 2 |
| 60 | 21333901 | SAFETY CLUTCH DISC | FOR LU-1561N-7 | | | 1 |
| 61 | 21334008 | FLYWHEEL | FOR LU-1561N | | | 1 |
| 62 | 21427059 | FLYWHEEL ASM. | | | | 1 |
| 63 | 21427000 | FLYWHEEL | | * | | 1 |
| 64 | SS8150822TP | SCREW 15/64-28 L=8 | | * | | 2 |
| 65 | M40071100AA | MAGNET FITTING BASE A ASM. | | * | | 1 |
| 66 | M40071100AB | MAGNET FITTING BASE B ASM. | | * | | 1 |
| 67 | WP0450801SD | WASHER 4.5X10X0.8 | | * | | 2 |
| 68 | SS6111210SP | SCREW 11/64-40 L=12 | | * | | 2 |
| 69 | 21387907 | ADJUSTING PIN (1.2) | | | | 1 |
| 70 | 40024855 | CONTAIN SYNCHRO ASM. | FOR LU-1561N-7 | | | 1 |
| 71 | 10604809 | SCREW | FOR LU-1561N-7 | | | 2 |
| 72 | HX00123000A | CABLE CLIP | FOR LU-1561N-7 | | | 1 |
| 73 | TA0750704R0 | RUBBER PLUG | | | | 1 |
| 74 | 21333703 | SAFETY CLUTCH DISC | FOR LU-1561N | | | 1 |
| 75 | 40038692 | UPPER SPROCKET | | | | 1 |
| 76 | SS6661110SP | SCREW 1/4-40 L=11 | | | | 2 |
| 77 | 21339502 | UPPER FEED CAM (3.5) | FOR LU-1561N-7 (WITH THREAD TRIMMER) | | | 1 |
| 78 | SS8660810TP | SCREW 1/4-40 L=8 | FOR LU-1561N-7 (WITH THREAD TRIMMER) | | | 2 |

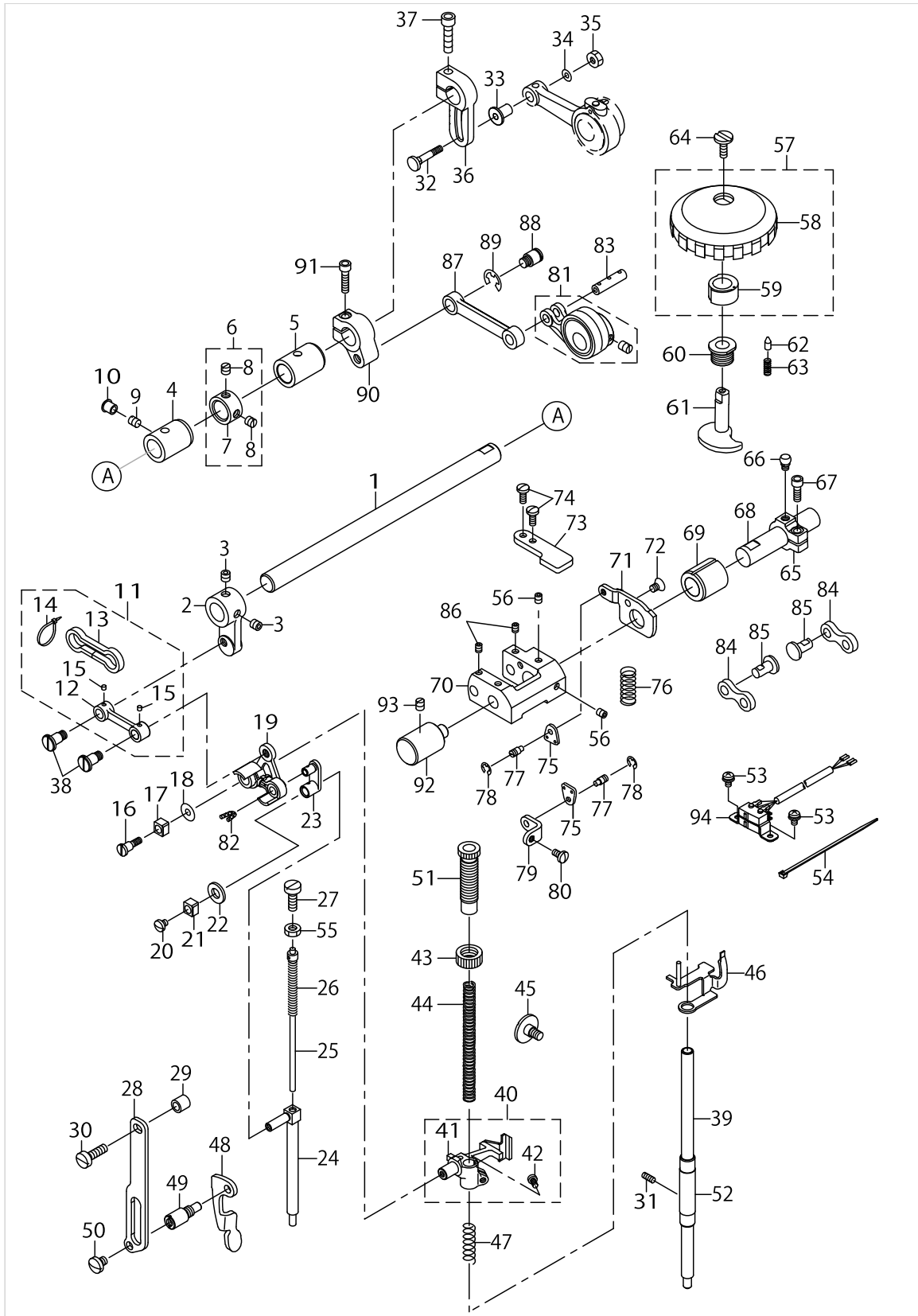
NEEDLE BAR ROCKING COMPONENTS



NEEDLE BAR ROCKING COMPONENTS

| No. | Parts No. | Parts name | Remarks | Level | Cons | Qty |
|-----|-------------|---------------------------|---------|-------|------|------|
| 1 | 23002009 | NEEDLE BAR FRAME | | | | 1 |
| 2 | 21405204 | HINGE STUD | | | | 1 |
| 3 | 22814909 | FELT | | | | 1 |
| 4 | B1437051000 | OIL WICK RETAINER | | | | 1 |
| 5 | SS8151150TP | SCREW 15/64-28 L=10.5 | | | | 1 |
| 6 | 22814909 | FELT | | | | 1 |
| 7 | 21451406 | NEEDLE BAR | | | | 1 |
| 8 | B14110570A0 | NEEDLE BAR CLAMP ASM. | | | | 1 |
| 9 | B1411057000 | NEEDLE BAR CONNECTION | | * | | 1 |
| 10 | SS7090910SP | SCREW 9/64-40 L=8.5 | | * | | 1 |
| 11 | B1412051000 | FELT | | * | | 1 |
| 12 | SM6030602TP | SCREW M3X0.5 L=6 | | | | 1 |
| 13 | M13517B1600 | NEEDLE 135X17 #160 | | | | 2 |
| 14 | 21438007 | UPPER FEED BAR GUIDE | | | | 1 |
| 15 | SS7110910TP | SCREW 11/64-40 L=8.5 | | | | 2 |
| 16 | 21388400 | ROCKING BASE GUIDE | | | | 1 |
| 17 | SS7110830SP | SCREW 11/64-40 L=7.5 | | | | 2 |
| 18 | 21338603 | ROCKING BASE GUIDE (B) | | | | 1 |
| 19 | SS6091022TP | SCREW | | | | 2 |
| 20 | 21338801 | ROCKING FRONT ARM | | | | 1 |
| 21 | SM8080802TP | SCREW | | | | 2 |
| 22 | 21338900 | ROCKING SHAFT | | | | 1 |
| 23 | B1414232000 | SQUARE BLOCK | | | | 1 |
| 24 | B1410771000 | STUD | | | | 1 |
| 25 | 21339304 | ROCKING SHAFT FRONT METAL | | | | 1 |
| 26 | 40027746 | BUSHING REAR | | | | 1 |
| 27 | 21339056 | ROCKING REAR ARM ASM. | | | | 1 |
| 28 | 21339007 | ROCKING REAR ARM | | * | | 1 |
| 29 | SS6152440SP | SCREW 15/64-28 L=23.5 | | * | | 1 |
| 30 | 21347406 | ROCKING REAR ARM FELT | | * | | 1 |
| 31 | EA9500B0100 | CABLE BAND | | * | | 2 |
| 32 | CQ202000000 | OIL WICK | | | | 0.05 |

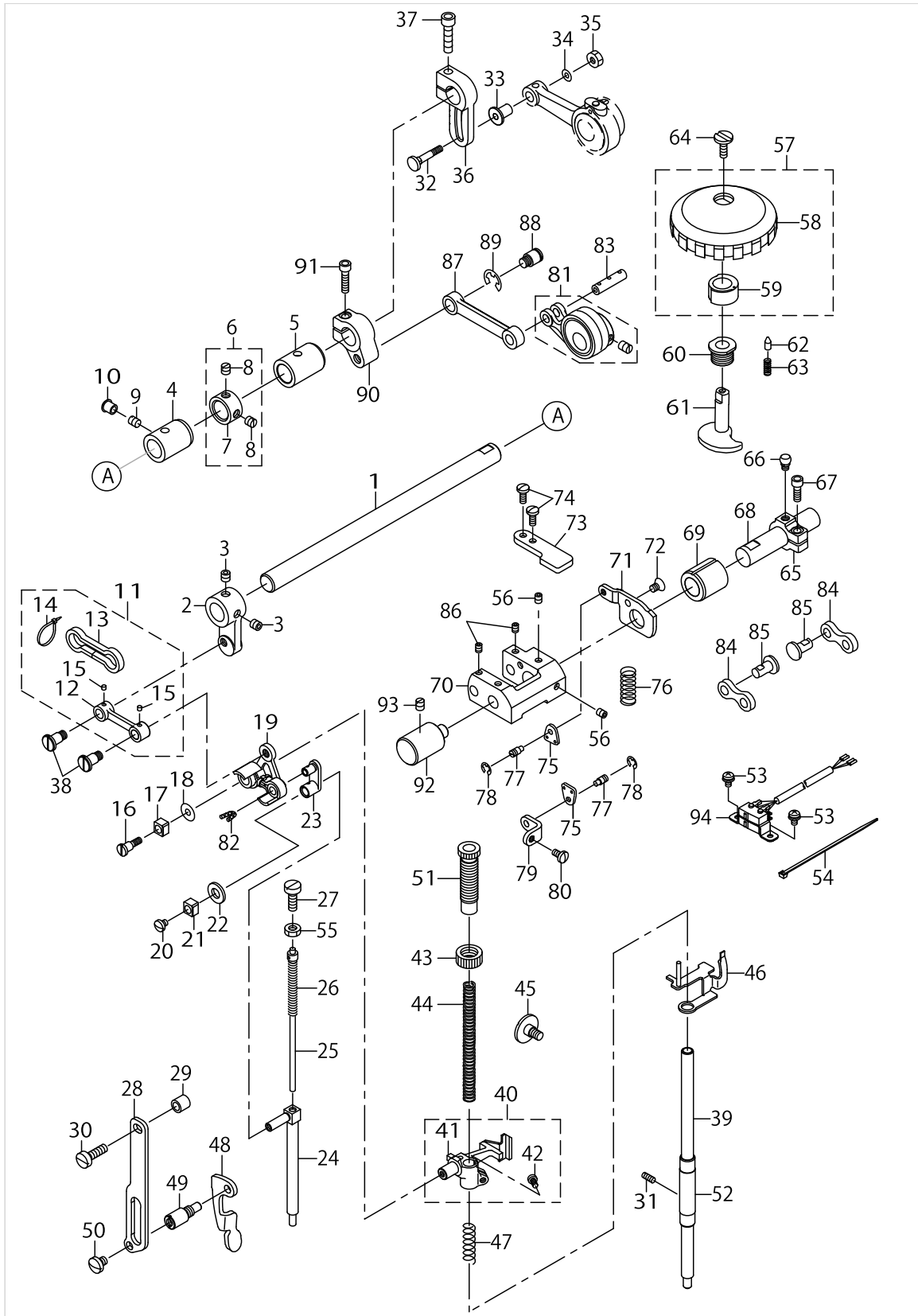
PRESSURE ADJUSTING & UPPER FEED MECHANISM COMPONENTS



PRESSURE ADJUSTING & UPPER FEED MECHANISM COMPONENTS

| No. | Parts No. | Parts name | Remarks | Level | Cons | Qty |
|-----|-------------|-------------------------------|--------------|-------|------|--------|
| 1 | 21340401 | UPPER FEED SHAFT | | | | 1 |
| 2 | 21340500 | UPPER FEED FRONT ARM | | | | 1 |
| 3 | SS8660612TP | SCREW 1/4-40 L=6 | | | | 2 |
| 4 | 40039326 | FRONT METAL | | | | 1 |
| 5 | 21378302 | FEED SHAFT METAL | | | | 1 |
| 6 | 22904155 | MAIN SHAFT THRUST COLLAR ASM. | | | | 1 |
| 7 | 22904106 | MAIN SHAFT THRUST COLLAR | | * | | 1 |
| 8 | SS8660610TP | SCREW 1/4-40 L=6 | | * | | 2 |
| 9 | SS8150710SP | SCREW 15/64-28 L=7 | | | | 1 |
| 10 | TA0750704R0 | RUBBER PLUG | | | | 1 |
| 11 | 40033027 | UPPER FEED LINK ASM. | | | | 1 |
| 12 | 40033026 | UPPER FEED LINK | | * | | 1 |
| 13 | 21347109 | FELT | | * | | 1 |
| 14 | EA9500B0000 | CLIP CV-70S | | * | | 2 |
| 15 | CQ3000000F0 | OIL FELT | | * | | 0.0028 |
| 16 | 40018339 | SCREW | | | | 1 |
| 17 | B1414555000 | SLIDE BLOCK | | | | 1 |
| 18 | WP0501046SC | WASHER 5X13X1 | | | | 1 |
| 19 | 40033029 | TRIANGULAR LEVER ASM. | | | | 1 |
| 20 | SS7110510SP | SCREW 11/64-40 L=5 | | | | 1 |
| 21 | B1414555000 | SLIDE BLOCK | | | | 1 |
| 22 | 10509701 | FELT | | | | 1 |
| 23 | 40018341 | WALKING BAR DRIVING LINK | | | | 1 |
| 24 | 40033033 | WALKING BAR B | | | | 1 |
| 25 | B14670530A0 | WALKING BAR ASM. | | | | 1 |
| 26 | B1468053000 | WALKING BAR SPRING | | | | 1 |
| 27 | SS6151780SP | SCREW 15/64-28 L=17.0 | | | | 1 |
| 28 | 21406509 | UPPER FEED GUIDE PLATE | | | | 1 |
| 29 | 26225201 | ROLLER | | | | 1 |
| 30 | SS6151920SP | SCREW 15/64-28 L=19.0 | | | | 1 |
| 31 | SS8110520TP | SCREW 11/64-40 L=4.5 | | | | 1 |
| 32 | D1456055B00 | HINGE SCREW | FOR LU-1561N | | | 1 |
| 33 | D1455055B00 | CONNECTING STUD | FOR LU-1561N | | | 1 |
| 34 | WP0482086SD | WASHER 4.8X11.5X2 | FOR LU-1561N | | | 1 |
| 35 | NS6110530SP | NUT 11/64-40 | FOR LU-1561N | | | 1 |
| 36 | 21437900 | UPPER FEED REAR ARM | FOR LU-1561N | | | 1 |
| 37 | SM6062502TP | SCREW M6 L=25 | FOR LU-1561N | | | 1 |
| 38 | 40018340 | SCREW | | | | 2 |
| 39 | 21451505 | PRESSER BAR | | | | 1 |
| 40 | 40033035 | PRESSER BAR HOLDER B ASM. | | | | 1 |
| 41 | 40033034 | PRESSER BAR HOLDER B | | * | | 1 |
| 42 | SS7110910TP | SCREW 11/64-40 L=8.5 | | * | | 1 |
| 43 | 22907604 | PRESSER SPRING REGULATOR NUT | | | | 1 |
| 44 | B1502246000 | PRESSER SPRING | | | | 1 |
| 45 | SD0800481SP | HINGE SCREW D=8 H=4.9 | | | | 1 |
| 46 | 21451752 | HOLDING PLATE COMPL. | | | | 1 |
| 47 | B1462053000 | THREAD RELEASE SPRING | | | | 1 |

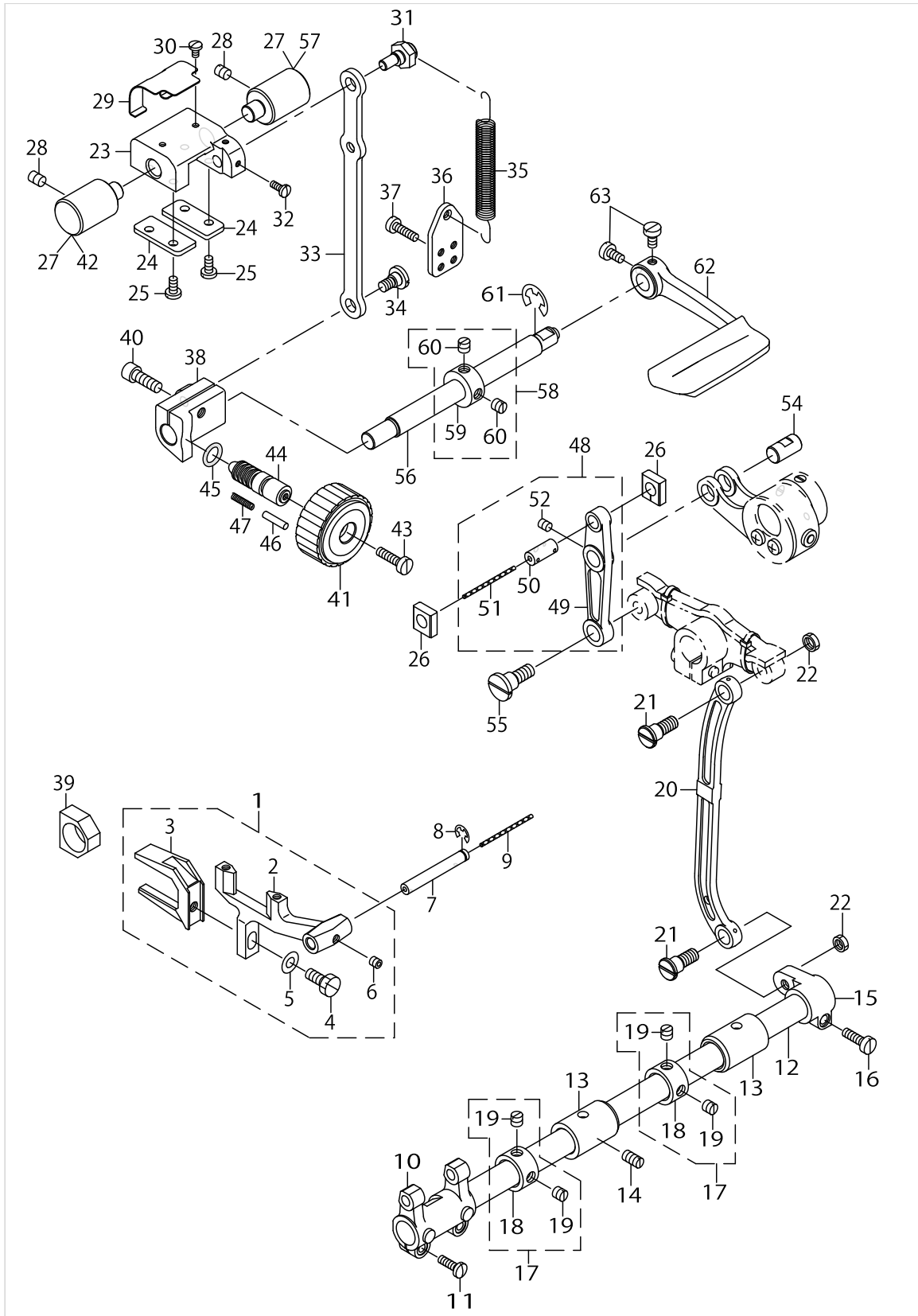
PRESSURE ADJUSTING & UPPER FEED MECHANISM COMPONENTS



PRESSURE ADJUSTING & UPPER FEED MECHANISM COMPONENTS

| No. | Parts No. | Parts name | Remarks | Level | Cons | Qty |
|-----|-------------|-------------------------------|----------------|-------|------|------|
| 48 | 21406103 | PRESSER LIFTER LEVER | | | | 1 |
| 49 | 21406608 | GUIDE PLATE SPACER | | | | 1 |
| 50 | SS7150740SP | SCREW 15/64-28 L=7 | | | | 1 |
| 51 | 21340906 | PRESSER ADJUSTING SCREW | | | | 1 |
| 52 | 22907109 | PRESSER BAR BUSHING LOWER | | | | 1 |
| 53 | SL4040881SC | SCREW M4 L=8 | FOR LU-1561N-7 | | | 2 |
| 54 | EA9500B0100 | CABLE BAND | FOR LU-1561N-7 | | | 1 |
| 55 | NS6150430SP | NUT 15/64-28 | | | | 1 |
| 56 | SM8050602TP | SCREW M5 L=6 | FOR LU-1561N-7 | | | 2 |
| 57 | 10774354 | UPPER AND LOWER DIAL ASM. | FOR LU-1561N-7 | | | 1 |
| 58 | 10774305 | VERTICAL DIAL | | * | | 1 |
| 59 | 10774404 | VERTICAL CAM | | * | | 1 |
| 60 | 10715100 | VERTICAL DIAL SHAFT BUSHING | FOR LU-1561N-7 | | | 1 |
| 61 | 40108542 | VERTICAL ADJUSTING CAM | FOR LU-1561N-7 | | | 1 |
| 62 | 10715704 | VERTICAL DIAL PIN | FOR LU-1561N-7 | | | 1 |
| 63 | B152652700G | SPRING | FOR LU-1561N-7 | | | 1 |
| 64 | SS6110630TP | SCREW 11/64-40 L=6 | FOR LU-1561N-7 | | | 1 |
| 65 | 21341607 | VERTICAL ADJUSTING ARM | FOR LU-1561N-7 | | | 1 |
| 66 | 10715308 | PIN | FOR LU-1561N-7 | | | 1 |
| 67 | SM6051402TP | SCREW M5X0.8 L=14 | FOR LU-1561N-7 | | | 1 |
| 68 | 21341508 | VERTICAL CHANGE BASE SHAFT | FOR LU-1561N-7 | | | 1 |
| 69 | 10718203 | FEED SHAFT FRONT METAL | FOR LU-1561N-7 | | | 1 |
| 70 | 10714202 | VERTICAL CHANGE BELT | FOR LU-1561N-7 | | | 1 |
| 71 | 21339601 | UPPER FEED STOPPER PLATE (A) | FOR LU-1561N-7 | | | 1 |
| 72 | SM1050801SR | SCREW M5 L=8 | FOR LU-1561N-7 | | | 1 |
| 73 | 21339700 | UPPER FEED STOPPER PLATE (B) | | | | 1 |
| 74 | SS7111120TP | SCREW | | | | 2 |
| 75 | 10713501 | SPRING HOOK | FOR LU-1561N-7 | | | 2 |
| 76 | 10716504 | VERTICAL SHAFT SPRING | FOR LU-1561N-7 | | | 1 |
| 77 | B3416552000 | CONNECTING ROD HINGE SCREW | FOR LU-1561N-7 | | | 2 |
| 78 | RE0500000K0 | E-RING | FOR LU-1561N-7 | | | 2 |
| 79 | 21339809 | UPPER FEED DOG SPRING HOOK | FOR LU-1561N-7 | | | 1 |
| 80 | SS7110830SP | SCREW 11/64-40 L=7.5 | FOR LU-1561N-7 | | | 1 |
| 81 | 40075553 | ECCENTRIC ROD(SET) | FOR LU-1561N-7 | | | 1 |
| 82 | CQ252000000 | OIL WICK | | | | 0.02 |
| 83 | 10713808 | CONNECTION LINK PIN B | FOR LU-1561N-7 | | | 1 |
| 84 | 40107949 | CONNECTION LINK B | FOR LU-1561N-7 | | | 2 |
| 85 | 10714608 | CONNECTION LINK B SUPPORT PIN | FOR LU-1561N-7 | | | 2 |
| 86 | SM8050602TP | SCREW M5 L=6 | FOR LU-1561N-7 | | | 2 |
| 87 | 21340005 | UPPER FEED LINK (B) | FOR LU-1561N-7 | | | 1 |
| 88 | 21048707 | HINGE SCREW | FOR LU-1561N-7 | | | 1 |
| 89 | RE0800000K0 | E-SHAPED SNAP RING (8MM) | FOR LU-1561N-7 | | | 1 |
| 90 | 21340302 | UPPER FEED REAR ARM (B) | FOR LU-1561N-7 | | | 1 |
| 91 | SM6052002TP | SCREW M5 L=20 | FOR LU-1561N-7 | | | 1 |
| 92 | 21337803 | FEED ADJUSTING BASE SUPPORT | FOR LU-1561N-7 | | | 1 |
| 93 | SS8150710SP | SCREW 15/64-28 L=7 | FOR LU-1561N-7 | | | 1 |
| 94 | 40024852 | VERTICAL DETECTOR SWITCH ASM. | FOR LU-1561N-7 | | | 1 |

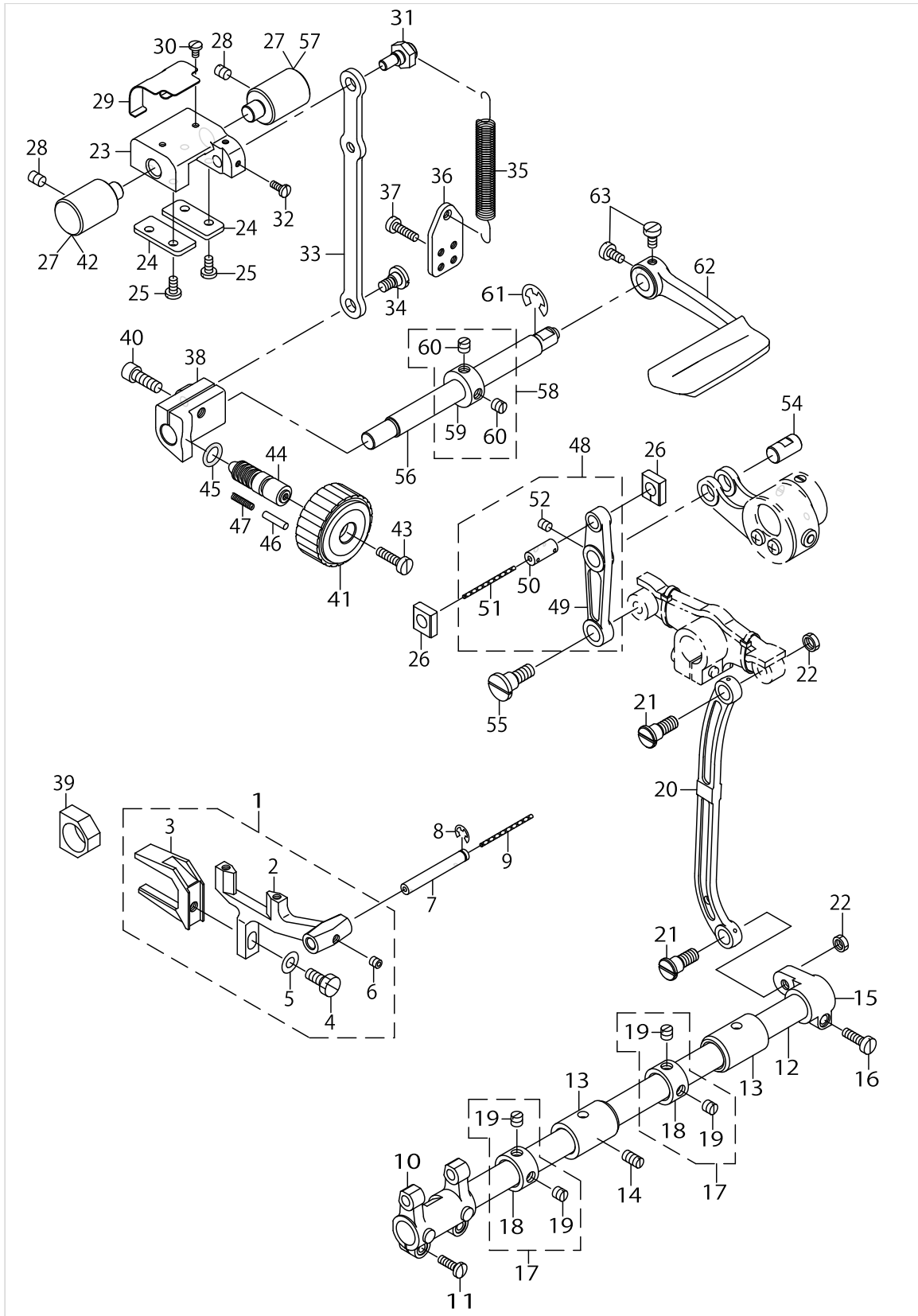
FEED MECHANISM COMPONENTS



FEED MECHANISM COMPONENTS

| No. | Parts No. | Parts name | Remarks | Level | Cons | Qty |
|-----|--------------|-------------------------------|----------------|-------|------|------|
| 1 | 21451851 | FEED BASE ASM. | | | | 1 |
| 2 | 21451802 | FEED BASE | | * | | 1 |
| 3 | 21451901 | FEED BASE FORX | | * | | 1 |
| 4 | SS9151440CP | SCREW 15/64-28 L=14 | | * | | 1 |
| 5 | WP0621016SD | WASHER 6.2X13X1 | | * | | 1 |
| 6 | SM8050502TP | SCREW M5 L=5 | | * | | 1 |
| 7 | B1604012000A | FEED BAR SHAFT | | | | 1 |
| 8 | RE0500711KP | SNAP RING 5 | | | | 1 |
| 9 | CQ202000000 | OIL WICK | | | | 0.14 |
| 10 | 21364104 | FEED ROCKER | | | | 1 |
| 11 | SS7111410SP | SCREW 11/64-40 L=14 | | | | 2 |
| 12 | 22609408 | FEED ROCK SHAFT | | | | 1 |
| 13 | 21378302 | FEED SHAFT METAL | | | | 2 |
| 14 | SS8151150TP | SCREW 15/64-28 L=10.5 | | | | 1 |
| 15 | 22609309 | FEED ROCKER SHAFT CRANK | | | | 1 |
| 16 | SS6121610TP | SCREW 3/16-28 L=15.5 | | | | 1 |
| 17 | 22904155 | MAIN SHAFT THRUST COLLAR ASM. | | | | 2 |
| 18 | 22904106 | MAIN SHAFT THRUST COLLAR | | * | | 1 |
| 19 | SS8660610TP | SCREW 1/4-40 L=6 | | * | | 2 |
| 20 | 10205201 | NEEDLE BAR FRAME ROD | | | | 1 |
| 21 | SD0900701TP | HINGE SCREW D=9 H=7 | | | | 1 |
| 22 | NS6680320SP | NUT 9/32-28 | | | | 1 |
| 23 | 21337506 | FEED ADJUSTING BASE | | | | 1 |
| 24 | 21337704 | FEED ADJUSTING BASE COVER | | | | 2 |
| 25 | SS7110910TP | SCREW 11/64-40 L=8.5 | | | | 4 |
| 26 | 21337407 | SQUARE BLOCK | | | | 2 |
| 27 | 21337803 | FEED ADJUSTING BASE SUPPORT | FOR LU-1561N | | | 2 |
| 28 | SS8150822TP | SCREW 15/64-28 L=8 | | | | 2 |
| 29 | 21338306 | FELT SUPPORT | | | | 1 |
| 30 | SS7090610SP | SCREW 9/64-40 L=6 | | | | 2 |
| 31 | 21337902 | ECCENTRIC PIN | | | | 1 |
| 32 | SS7090910TP | SCREW 9/64-40 L=8.5 | | | | 2 |
| 33 | 21337308 | FEED ADJUSTING ROD | | | | 1 |
| 34 | SD0800402TP | HINGE SCREW D=8 H= 4 | | | | 1 |
| 35 | 21337605 | SPRING | | | | 1 |
| 36 | 40019926 | SPRING HOOK | | | | 1 |
| 37 | SS6111610SP | SCREW 11/64-40 L=16 | | | | 2 |
| 38 | 21337209 | FEED ADJUSTING A | | | | 1 |
| 39 | B1610512000 | FEED DRIVING SLIDE BLOCK | | | | 1 |
| 40 | SM6061802TP | SCREW M6 L=18 | | | | 1 |
| 41 | 21336805 | FEED DIAL A | | | | 1 |
| 42 | 21430400 | FEED ADJUSTER SUPPORT | FOR LU-1561N-7 | | | 1 |
| 43 | SS6121860SP | SCREW 3/16-28 L=18 | | | | 1 |
| 44 | 22911804 | FEED REGULATOR SCREW | | | | 1 |
| 45 | RO092270200 | RUBBER RING | | | | 1 |
| 46 | 22912000 | FEED REGULATOR PIN | | | | 1 |
| 47 | 22912109 | FEED REGULATOR PIN SPRING | | | | 1 |

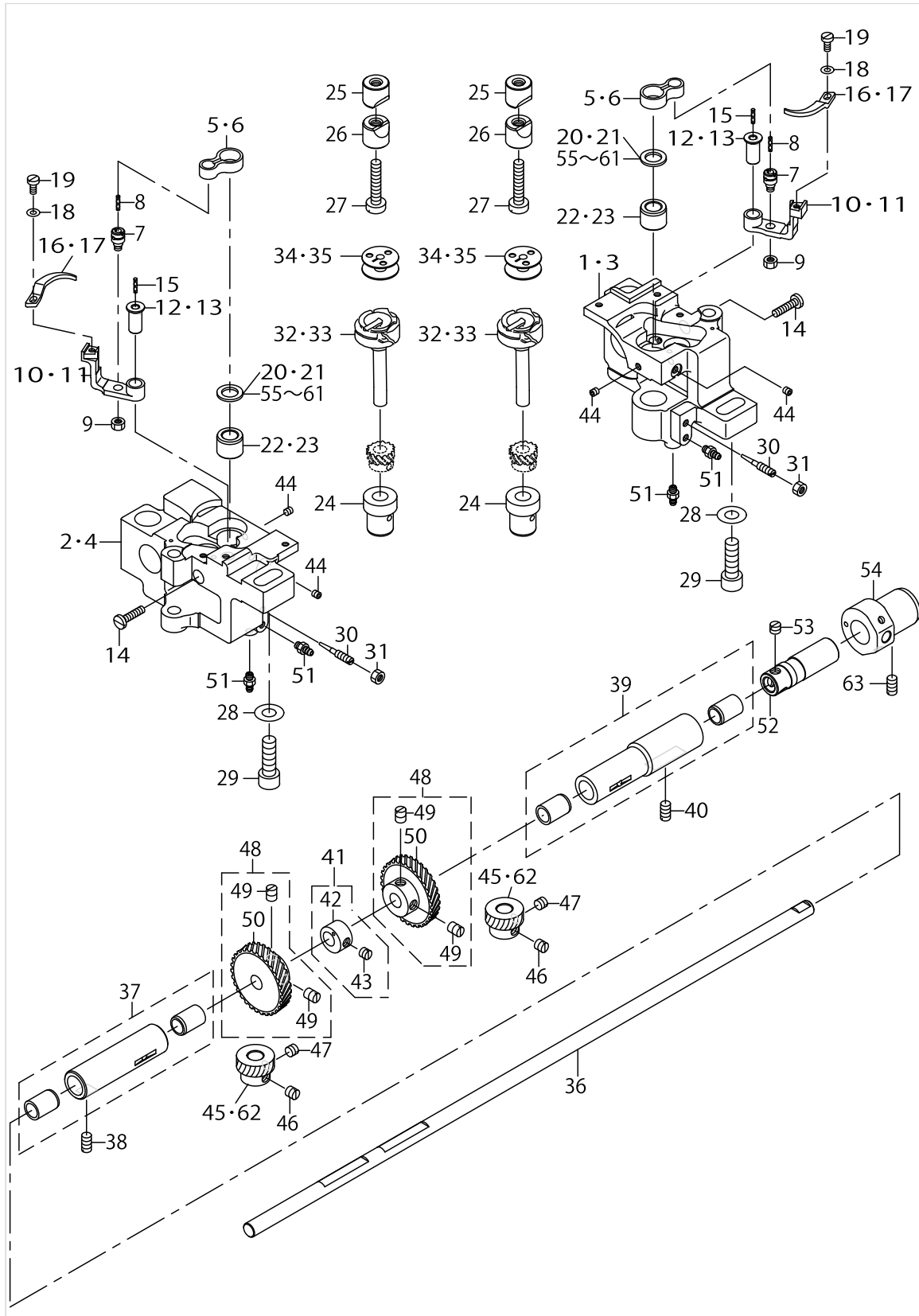
FEED MECHANISM COMPONENTS



FEED MECHANISM COMPONENTS

| No. | Parts No. | Parts name | Remarks | Level | Cons | Qty |
|-----|-------------|------------------------------|----------------|-------|------|------|
| 48 | 21336656 | FEED LINK ASM. | | | | 1 |
| 49 | 21336607 | FEED LINK | | * | | 1 |
| 50 | 40009103 | CONNECTING FORKED LINK PIN | | * | | 1 |
| 51 | CQ202000000 | OIL WICK | | * | | 0.04 |
| 52 | SM8050612TP | SCREW M5X6 | | * | | 1 |
| 53 | SS6120930TP | SCREW 3/16-28 L=9 | FOR LU-1561N | | | 2 |
| 54 | 21378906 | FEED LINK PIN | | | | 1 |
| 55 | SD1000801SH | HINGE SCREW D=10 H=8 | | | | 1 |
| 56 | 21336300 | BACKWARD FEED LEVER SHAFT | | | | 1 |
| 57 | 21337803 | FEED ADJUSTING BASE SUPPORT | FOR LU-1561N-7 | | | 1 |
| 58 | CS1201010SH | THRUST COLLAR ASM. D=12 W=10 | | | | 1 |
| 59 | CS1201011SH | THRUST COLLAR D=12 W=10 | | * | | 1 |
| 60 | SS8660610TP | SCREW 1/4-40 L=6 | | * | | 2 |
| 61 | RE0900000K0 | E-RING 9 | | | | 1 |
| 62 | 21388004 | REVERSE FEED CONTROL LEVER | | | | 1 |

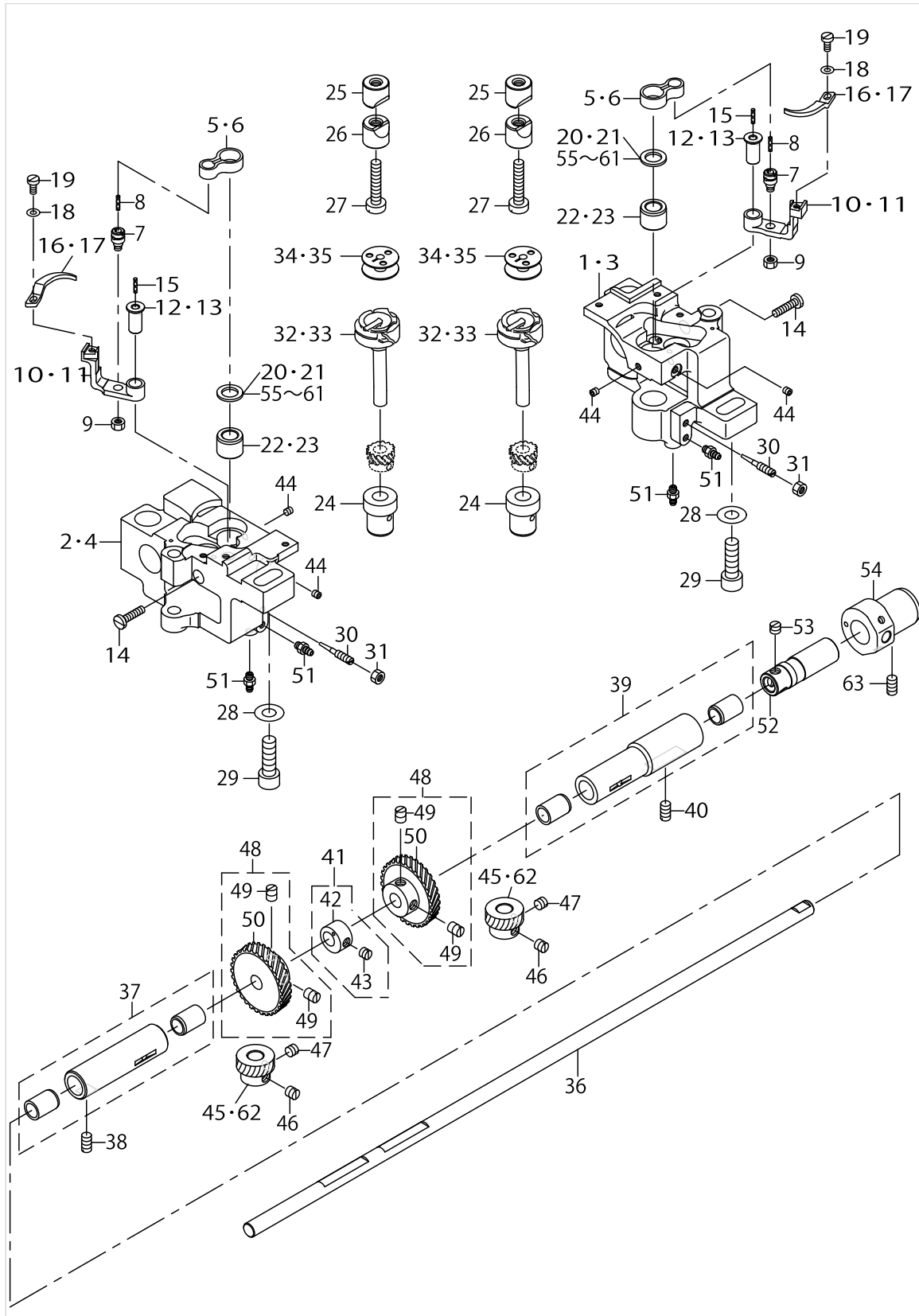
HOOK SHAFT & LOWER SHAFT COMPONENTS



HOOK SHAFT & LOWER SHAFT COMPONENTS

| No. | Parts No. | Parts name | Remarks | Level | Cons | Qty |
|-----|--------------|---------------------------------|-----------------|-------|------|------|
| 1 | 21390000 | HOOK SHAFT BASE (RIGHT) | FOR LU-1561N-7 | | | 1 |
| 2 | 21390109 | HOOK SHAFT BASE (LEFT) | FOR LU-1561N-7 | | | 1 |
| 3 | 21335104 | HOOK SHAFT BASE (RIGHT) | FOR LU-1561N | | | 1 |
| 4 | 21362108 | HOOK SHAFT BASE (LEFT) | FOR LU-1561N | | | 1 |
| 5 | 21334909 | INNER HOOK GUIDE LINK | FOR LU-1561N-7 | | | 2 |
| 6 | B1820563000 | BOBBIN CASE OPENING LEVER LINK | FOR LU-1561N | | | 2 |
| 7 | B1821051000 | CRANK SCREW STUD | | | | 2 |
| 8 | CQ202000000 | OIL WICK | | | | 0.02 |
| 9 | NS6110420SP | NUT 11/64-40 | | | | 2 |
| 10 | 21335500 | GUIDE ARM (FOR THREAD CUTTING) | FOR LU-1561N-7 | | | 2 |
| 11 | B1822563000 | BOBBIN CASE OPENING LEVER CRANK | FOR LU-1561N | | | 2 |
| 12 | 21335708 | INNER HOOK GUIDE ARM SHAFT | FOR LU-1561N-7 | | | 2 |
| 13 | B1823051000 | OPENING LEVER CRANK PIN | FOR LU-1561N | | | 2 |
| 14 | SS7111810TP | SCREW 11/64-40 L=18 | | | | 2 |
| 15 | CQ202000000 | OIL WICK | | | | 0.02 |
| 16 | 21335807 | INNER HOOK GUIDE | FOR LU-1561N-7 | | | 2 |
| 17 | B1824563000 | BOBBIN CASE OPENING LEVER | FOR LU-1561N | | | 2 |
| 18 | WP0371016SD | WASHER 3.7X8X1 | | | | 2 |
| 19 | SS6090810SP | SCREW 9/64-40 L=7.5 | | | | 2 |
| 20 | 10111102 | THRUST WASHER 1.3 | | | | 2 |
| 21 | 10112704 | THRUST WASHER 1.8 | SELECTIVE PARTS | | | 2 |
| 22 | 21378401 | HOOK SHAFT UPPER METAL | FOR LU-1561N-7 | | | 2 |
| 23 | 21378500 | HOOK SHAFT UPPER METAL | FOR LU-1561N | | | 2 |
| 24 | 21334701 | HOOK SHAFT LOWER METAL | | | | 2 |
| 25 | 10109908 | SADDLE INSTALLING BLOCK UPPER | | | | 2 |
| 26 | 10112407 | SADDLE INSTALLING BLOCK LOWER | | | | 2 |
| 27 | SS6153040SP | SCREW 15/64-28 L=30 | | | | 2 |
| 28 | WP0850002SP | WASHER 8.5X18X1.6 | | | | 2 |
| 29 | SM6082502TP | SCREW M8 L=25 | | | | 2 |
| 30 | B1834512000A | OIL ADJUSTING SCREW | | | | 2 |
| 31 | NS6110420SP | NUT 11/64-40 | | | | 2 |
| 32 | 21387055 | THREAD TRIMMER HOOK ASM. | FOR LU-1561N-7 | | | 2 |
| 33 | B18305630A0 | VERTICAL-AXIS SEWING HOOK ASM. | FOR LU-1561N | | | 2 |
| 34 | 21334800 | ALUMINUM BOBBIN WITH KNURL | FOR LU-1561N-7 | | | 2 |
| 35 | B9117563000 | BOBBIN | FOR LU-1561N | | | 2 |
| 36 | 21361704 | LOWER SHAFT | | | | 1 |
| 37 | B18025120A0A | BUSHING ASM. FRONT | | | | 1 |
| 38 | SS8151150TP | SCREW 15/64-28 L=10.5 | | | | 1 |
| 39 | B18035150A0 | BUSHING ASM. INTERMEDIATE | | | | 1 |
| 40 | SS8151150TP | SCREW 15/64-28 L=10.5 | | | | 1 |
| 41 | 21378153 | FEED DRIVING ECCENTRIC ASM. | | | | 1 |
| 42 | 21378104 | FEED DRIVING ECCENTRIC | | * | | 1 |
| 43 | SS8150510TP | SCREW 15/64-28 L= 4.7 | | * | | 1 |
| 44 | SS8110422TP | SCREW 11/64-40 L=4 | | | | 4 |
| 45 | B1817051000 | HOOK DRIVING SHAFT GEAR SMALL | SELECTIVE PARTS | | | 2 |
| 46 | SS8660670SP | SCREW 1/4-40 L=6.1 | | | | 2 |
| 47 | SS8660530TP | SCREW 1/4-40 L=4.5 | | | | 2 |

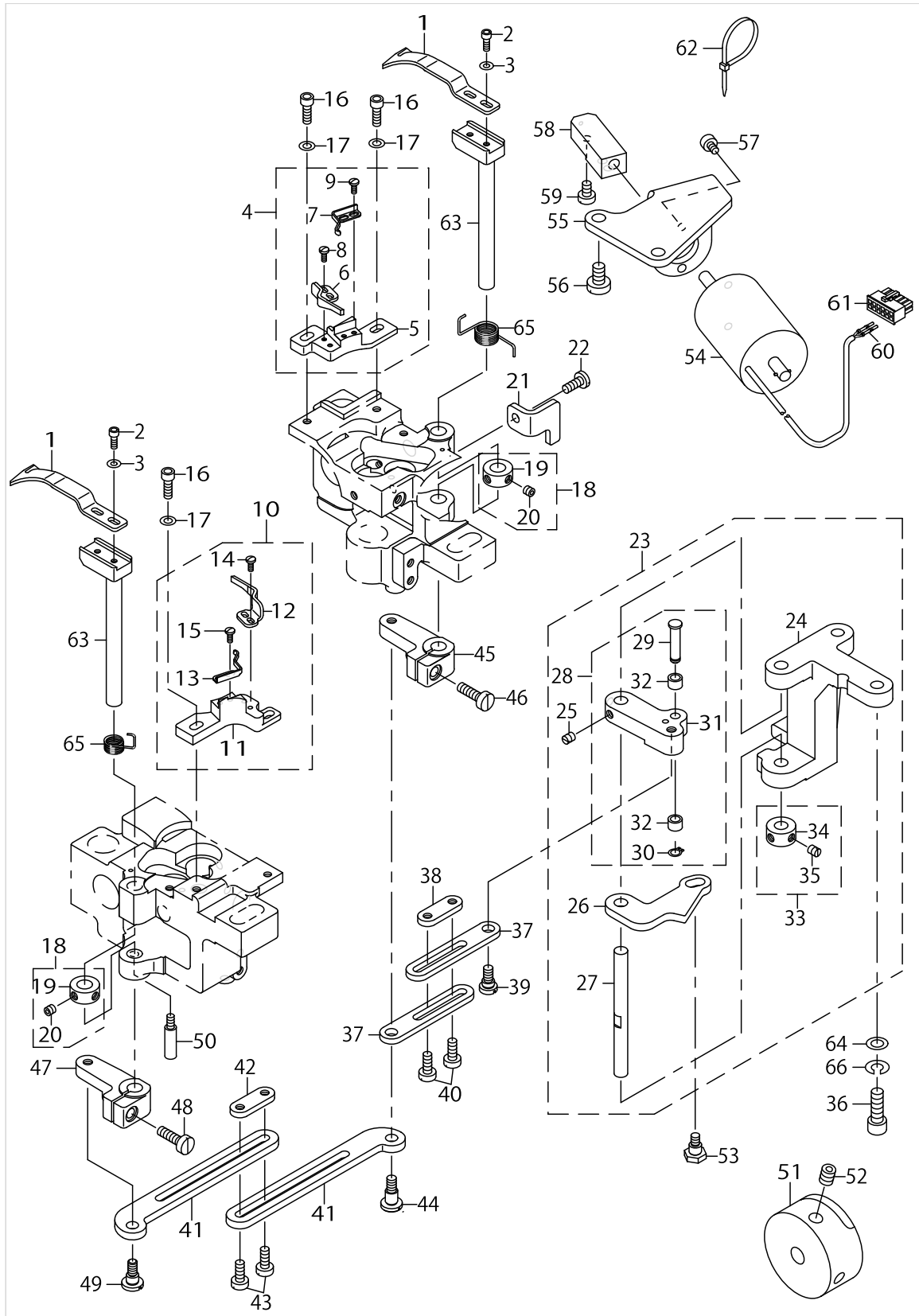
HOOK SHAFT & LOWER SHAFT COMPONENTS



HOOK SHAFT & LOWER SHAFT COMPONENTS

| No. | Parts No. | Parts name | Remarks | Level | Cons | Qty |
|-----|-------------|-------------------------------|-----------------|-------|------|-----|
| 48 | 40162860 | HOOK DRIVING SHAFT GEAR ASM | | | | 2 |
| 49 | SS8660810TP | SCREW 1/4-40 L=8 | | * | | 2 |
| 50 | B1816051000 | HOOK DRIVING SHAFT GEAR LARGE | | * | | 1 |
| 51 | SQ1110401MZ | CONNECTING SCREW | | | | 4 |
| 52 | 22611909 | OIL PUMP SHAFT | | | | 1 |
| 53 | SS8660530TP | SCREW 1/4-40 L=4.5 | | | | 3 |
| 54 | 22611701 | PLUNGER BUSHING B | | | | 1 |
| 55 | 10112605 | THRUST WASHER 1.7 | SELECTIVE PARTS | | | 2 |
| 56 | 10109700 | THRUST WASHER A | SELECTIVE PARTS | | | 2 |
| 57 | 10109809 | THRUST WASHER B | SELECTIVE PARTS | | | 2 |
| 58 | 10110906 | THRUST WASHER 1.1 | SELECTIVE PARTS | | | 2 |
| 59 | 10111003 | THRUST WASHER 1.2 | SELECTIVE PARTS | | | 2 |
| 60 | 10111201 | THRUST WASHER 1.4 | SELECTIVE PARTS | | | 2 |
| 61 | 10112506 | THRUST WASHER 1.6 | SELECTIVE PARTS | | | 2 |
| 62 | 40042611 | HOOK DRIVING SHAFT GEAR | SELECTIVE PARTS | | | 2 |
| 63 | SS8151150SP | SCREW 15/64-28 L=10.5 | | | | 1 |

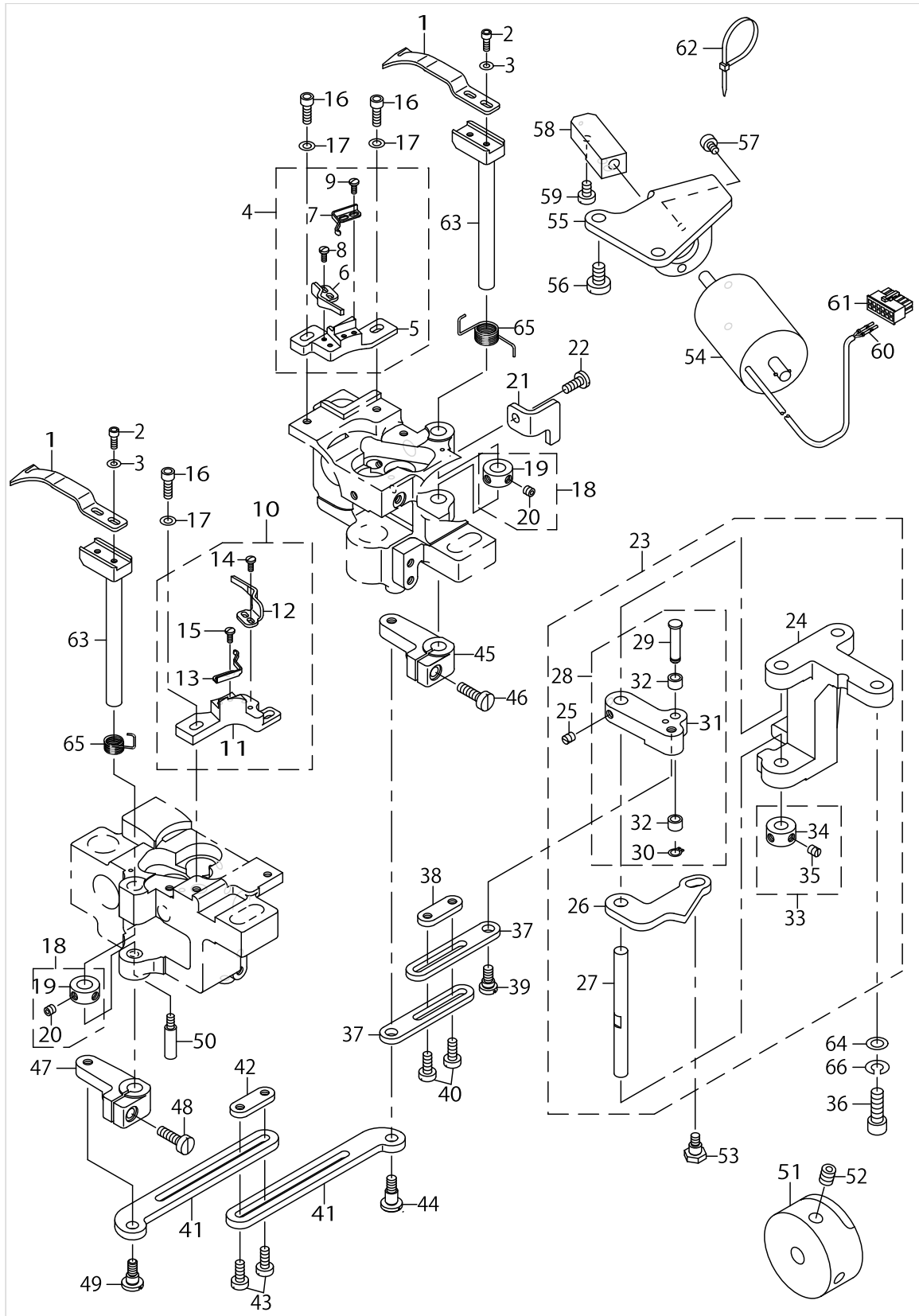
THREAD CUTTING COMPONENTS (FOR LU-1561N-7)



THREAD CUTTING COMPONENTS (FOR LU-1561N-7)

| No. | Parts No. | Parts name | Remarks | Level | Cons | Qty |
|-----|--------------|--------------------------------|---------|-------|------|-----|
| 1 | 21389200 | MOVING KNIFE | | | | 2 |
| 2 | SM6030802TP | SCREW M3X0.5 L=8 | | | | 4 |
| 3 | WP0320501SC | WASHER M3 | | | | 4 |
| 4 | 21389556 | FIXED KNIFE BASE (RIGHT) ASM. | | | | 1 |
| 5 | 21389507 | FIXED KNIFE BASE (RIGHT) | | * | | 1 |
| 6 | 21389309 | FIXED KNIFE | | * | | 1 |
| 7 | 21389408 | CLAMP SPRING | | * | | 1 |
| 8 | SS7060610SP | SCREW 3/32-56 L=5.5 | | * | | 2 |
| 9 | SS7060610SP | SCREW 3/32-56 L=5.5 | | * | | 2 |
| 10 | 21389655 | FIXED KNIFE BASE (LEFT) ASM. | | | | 1 |
| 11 | 21389606 | FIXED KNIFE BASE (LEFT) | | * | | 1 |
| 12 | 21389309 | FIXED KNIFE | | * | | 1 |
| 13 | 21389408 | CLAMP SPRING | | * | | 1 |
| 14 | SS7060610SP | SCREW 3/32-56 L=5.5 | | * | | 2 |
| 15 | SS7060610SP | SCREW 3/32-56 L=5.5 | | * | | 2 |
| 16 | SM6041202TP | SCREW M4X0.7 L=12 | | | | 4 |
| 17 | WP0430800SC | WASHER M4 | | | | 4 |
| 18 | 40101351 | THRUST COLLAR ASM. | | | | 2 |
| 19 | 22917009 | THRUST COLLAR | | * | | 1 |
| 20 | SS8110422TP | SCREW 11/64-40 L=4 | | * | | 2 |
| 21 | 21354501 | THREAD CUTTING STOPPER (RIGHT) | | | | 1 |
| 22 | SS7111120SP | SCREW 11/64-40 L=10.5 | | | | 1 |
| 23 | 21353750 | VERTICAL FITTING BASIS ASM. | | | | 1 |
| 24 | 21353701 | VERTICAL FITTING BASIS | | * | | 1 |
| 25 | SS8110510SP | SCREW 11/64-40 L=5 | | * | | 2 |
| 26 | 21354006 | THREAD CUTTING DRIVING PLATE | | * | | 1 |
| 27 | 10116804 | SHAFT | | * | | 1 |
| 28 | 40119279 | THREAD CUTTING ROLLER ARM ASM. | | * | | 1 |
| 29 | 40104369 | CAM ROLLER SHAFT | | * | | 1 |
| 30 | D2430555B00 | SNAP RING | | * | | 1 |
| 31 | 40104368 | THREAD CUTTING ROLLER ARM | | * | | 1 |
| 32 | D2427555B00B | CAM ROLLER | | * | | 2 |
| 33 | CS070081BSH | THRUST COLLAR ASM. D=7 W=8 | | * | | 1 |
| 34 | CS0700811SH | THRUST COLLAR D=7 W=8 | | * | | 1 |
| 35 | SS8110510SP | SCREW 11/64-40 L=5 | | * | | 2 |
| 36 | SS6151812TP | SCREW 15/64-28 L=18 | | | | 2 |
| 37 | 21354105 | CONNECTING PLATE | | | | 2 |
| 38 | 21354204 | STOPPING PLATE | | | | 1 |
| 39 | SD0640325SP | HINGE SCREW | | | | 1 |
| 40 | SS6111140SP | SCREW 11/64-40 L=11 | | | | 2 |
| 41 | 21363601 | CONNECTING PLATE | | | | 2 |
| 42 | 21354204 | STOPPING PLATE | | | | 1 |
| 43 | SS6111140SP | SCREW 11/64-40 L=11 | | | | 2 |
| 44 | SD0640751SP | HINGE SCREW D=6.35 H=7.5 | | | | 1 |
| 45 | 21389705 | ROCKING ARM (RIGHT) | | | | 1 |
| 46 | SS6121610TP | SCREW 3/16-28 L=15.5 | | | | 1 |
| 47 | 21389804 | ROCKING ARM (LEFT) | | | | 1 |

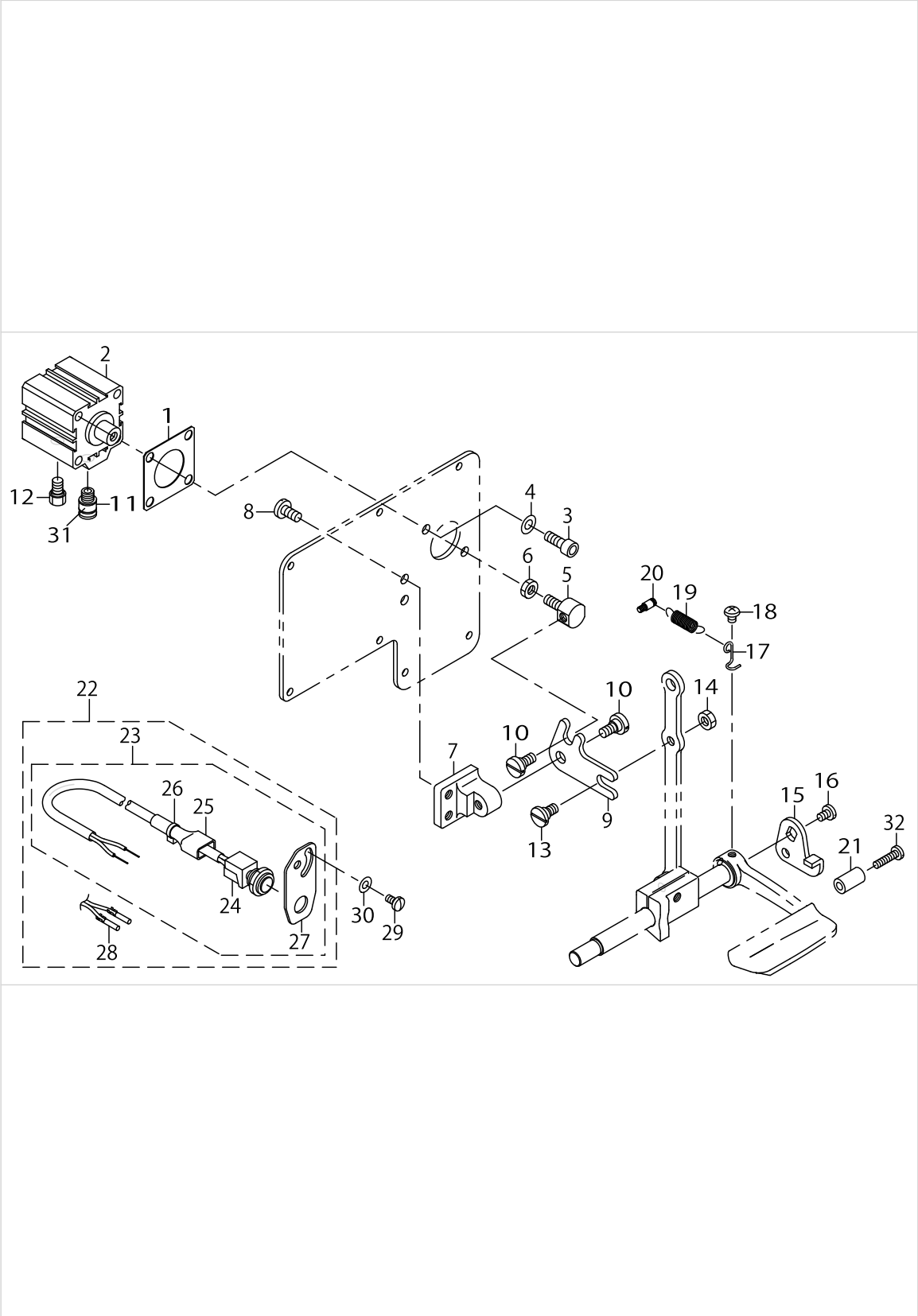
THREAD CUTTING COMPONENTS (FOR LU-1561N-7)



THREAD CUTTING COMPONENTS (FOR LU-1561N-7)

| No. | Parts No. | Parts name | Remarks | Level | Cons | Qty |
|-----|-------------|---------------------------|---------|-------|------|-----|
| 48 | SS6121610TP | SCREW 3/16-28 L=15.5 | | | | 1 |
| 49 | SD0640451TP | HINGE SCREW D=6.35 H=4.5 | | | | 1 |
| 50 | B1515512000 | HAND LIFTER SHAFT | | | | 1 |
| 51 | 21389911 | THREAD TRIMMER CAM | | | | 1 |
| 52 | SS8660612TP | SCREW 1/4-40 L=6 | | | | 2 |
| 53 | SD0640482SP | HINGE SCREW D=6.35 H=4.8 | | | | 1 |
| 54 | 21355102 | THREAD CUTTING SOLENOID | | | | 1 |
| 55 | 21354600 | SOLENOID FITTING PLATE | | | | 1 |
| 56 | SS6151040SP | SCREW 15/64-28 L=10 | | | | 2 |
| 57 | SM6040802TP | SCREW M4X0.7 L=8 | | | | 2 |
| 58 | 21354709 | SOLENOID CONNECTING PLATE | | | | 1 |
| 59 | SS6110710TP | SCREW 11/64-40 L=6.5 | | | | 2 |
| 60 | HK03464000A | TERMINAL FEMALE | | | | 2 |
| 61 | HK034610120 | HOUSING 12P | | | | 1 |
| 62 | EA9500B0100 | CABLE BAND | | | | 1 |
| 63 | 21354907 | MOVING KNIFE SHAFT | | | | 2 |
| 64 | WP0651056SD | WASHER 6.5X11X1 | | | | 2 |
| 65 | 21390208 | MAINTENANCE SPRING | | | | 2 |
| 66 | WS0610002KP | SPRING WASHER | | | | 2 |

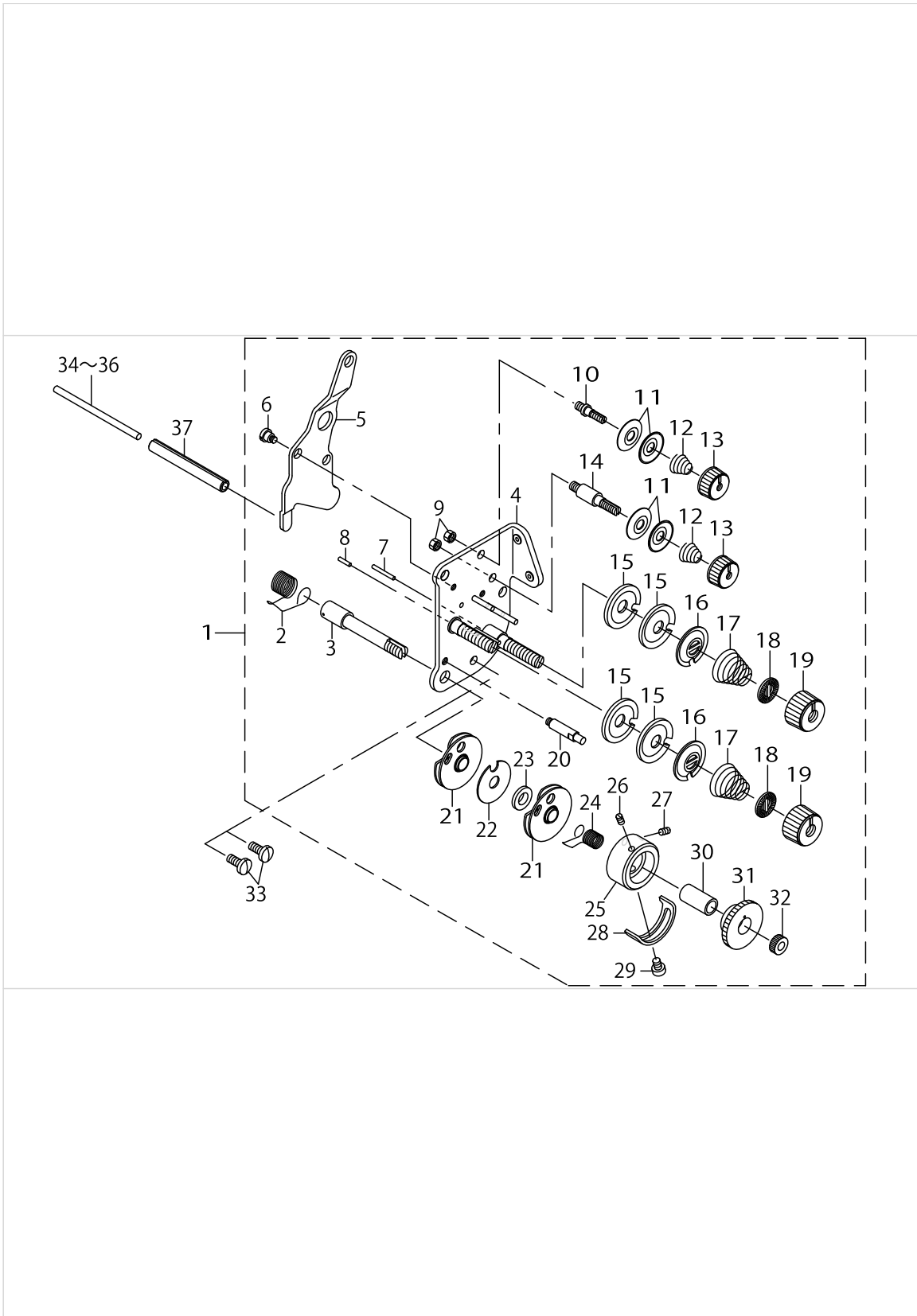
AUTOMATIC BACK COMPONENTS (FOR LU-1561N-7)



AUTOMATIC BACK COMPONENTS (FOR LU-1561N-7)

| No. | Parts No. | Parts name | Remarks | Level | Cons | Qty |
|-----|-------------|---------------------------|---------|-------|------|-----|
| 1 | 21349105 | CYLINDER PACKING | | | | 1 |
| 2 | PA320150200 | JIG CYLINDER | | | | 1 |
| 3 | SM6061602TP | SCREW M6 L=16 | | | | 2 |
| 4 | WP0641601SD | WASHER M6 | | | | 2 |
| 5 | 21348602 | CYLINDER CONNECTING SCREW | | | | 1 |
| 6 | NM6060003SC | NUT M6 | | | | 1 |
| 7 | 21348503 | FITTING BASE | | | | 1 |
| 8 | SS7151210SP | SCREW 15/64-28 L=12 | | | | 2 |
| 9 | 21348701 | BACKWARD FEED LINK | | | | 1 |
| 10 | SD0800352SP | HINGE SCREW D=8 H=3.5 | | | | 2 |
| 11 | PJ301065104 | HALF UNION | | | | 1 |
| 12 | PX015101000 | MUFFLER | | | | 1 |
| 13 | SD0800402TP | HINGE SCREW D=8 H=4 | | | | 1 |
| 14 | NS6150430SP | NUT 15/64-28 | | | | 1 |
| 15 | 22656102 | REVERSE FEED LINK (1) | | | | 1 |
| 16 | SS7120760SP | SCREW 3/16-28 L=7.0 | | | | 1 |
| 17 | 22656003 | SPRING SUSPENSION | | | | 1 |
| 18 | SS4120615SP | SCREW 3/16-28 L=6 | | | | 1 |
| 19 | 26226209 | SPRING | | | | 1 |
| 20 | 40023289 | SPRING SUSPENSION | | | | 1 |
| 21 | 22902506 | FACE PLATE | | | | 1 |
| 22 | 40056366 | BT SWITCH C ASM. | | | | 1 |
| 23 | 40056365 | BT SWITCH B ASM. | | * | | 1 |
| 24 | 40056364 | BT SWITCH A ASM. | | * | | 1 |
| 25 | GTS01037000 | CONNECTOR COVER | | * | | 1 |
| 26 | EA9500B0100 | CABLE BAND | | * | | 1 |
| 27 | 21388608 | CABLE BAND | | * | | 1 |
| 28 | HK03464000A | TERMINAL FEMALE | | * | | 2 |
| 29 | SS7110840SP | SCREW 11/64-40 L=7.8 | | | | 2 |
| 30 | WP0501016SD | WASHER 5X10.5X1 | | | | 2 |
| 31 | HX002950000 | WIRE MARK(1) | | | | 1 |
| 32 | SS7111810SP | SCREW 11/64-40 L=18 | | | | 1 |

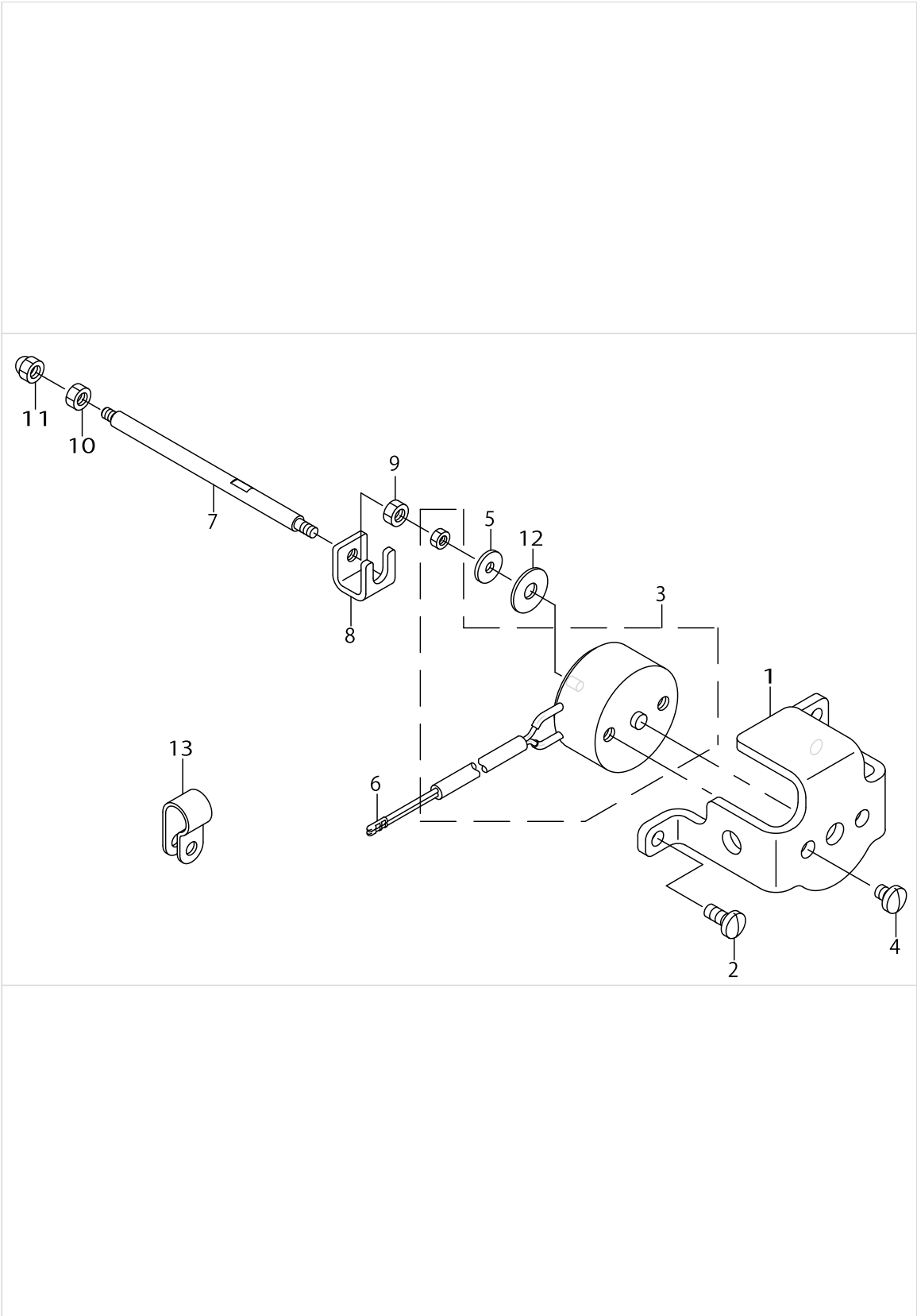
THREAD TENSION COMPONENTS



THREAD TENSION COMPONENTS

| No. | Parts No. | Parts name | Remarks | Level | Cons | Qty |
|-----|-------------|----------------------------|-----------------|-------|------|-----|
| 1 | 21390562 | THREAD TENSION ASM. | | | | 1 |
| 2 | B3128051000 | THREAD TAKE-UP SPRING A | | * | | 1 |
| 3 | 10124501 | THREAD TAKE-UP SPRING STUD | | * | | 1 |
| 4 | 21390554 | THREAD TENSION BASE COMPL. | | * | | 1 |
| 5 | 21441100 | THREAD RELEASE PLATE | | * | | 1 |
| 6 | SD0470281SP | HINGE SCREW D=4.7 H=2.8 | | * | | 2 |
| 7 | B3127527000 | PIN B | | * | | 1 |
| 8 | B3127051000 | TENSION RELEASE PIN SHORT | | * | | 1 |
| 9 | NS6110310SP | NUT 11/64-40 | | * | | 2 |
| 10 | 10124204 | THREAD TENSION POST A | | * | | 1 |
| 11 | B3214047000 | BOBBIN WINDER TENSION DISC | | * | | 4 |
| 12 | D3168555H0B | TENSION SPRING NO.1 | | * | | 2 |
| 13 | 11072402 | THREAD TENSION NUT | | * | | 2 |
| 14 | 10124303 | THREAD TENSION POST B | | * | | 1 |
| 15 | 40121822 | THREAD TENSION DISK | | * | | 4 |
| 16 | B3132051000 | TENSION DISC HOLDER | | * | | 2 |
| 17 | B3129053000 | TENSION SPRING | | * | | 2 |
| 18 | B3120125000 | ROTATING STOPPER | | * | | 2 |
| 19 | 11072204 | TENSION NUT | | * | | 2 |
| 20 | B3143527000 | TAKE-UP SPRING GUIDE STUD | | * | | 1 |
| 21 | B31375270A0 | TAKE-UP SPRING GUIDE ASM. | | * | | 2 |
| 22 | B3142527000 | TAKE-UP SPRING GUIDE PLATE | | * | | 1 |
| 23 | B3139527000 | COLLAR | | * | | 1 |
| 24 | B3128527000 | THREAD TAKE-UP SPRING B | | * | | 1 |
| 25 | 22617609 | THREAD TENSION POST | | * | | 1 |
| 26 | 22618904 | SET SCREW | | * | | 1 |
| 27 | 22618904 | SET SCREW | | * | | 1 |
| 28 | B3138527000 | ADJUSTING PLATE B | | * | | 1 |
| 29 | SS7090520SP | SCREW 9/64-40 L=4.5 | | * | | 1 |
| 30 | B3141527000 | PRESSER COLLAR | | * | | 1 |
| 31 | B3125527000 | TAKE-UP SPRING GUIDE | | * | | 1 |
| 32 | B3125012000 | THREAD TENSION NUT | | * | | 1 |
| 33 | SS7110910TP | SCREW 11/64-40 L=8.5 | | | | 2 |
| 34 | 21348206 | TENSION RELEASE BAR | SELECTIVE PARTS | | | 1 |
| 35 | 10321107 | TENSION RELEASE BAR | SELECTIVE PARTS | | | 1 |
| 36 | 23006406 | TENSION RELEASE BAR | | | | 1 |
| 37 | PS0600502KP | SPRING PIN | | | | 1 |

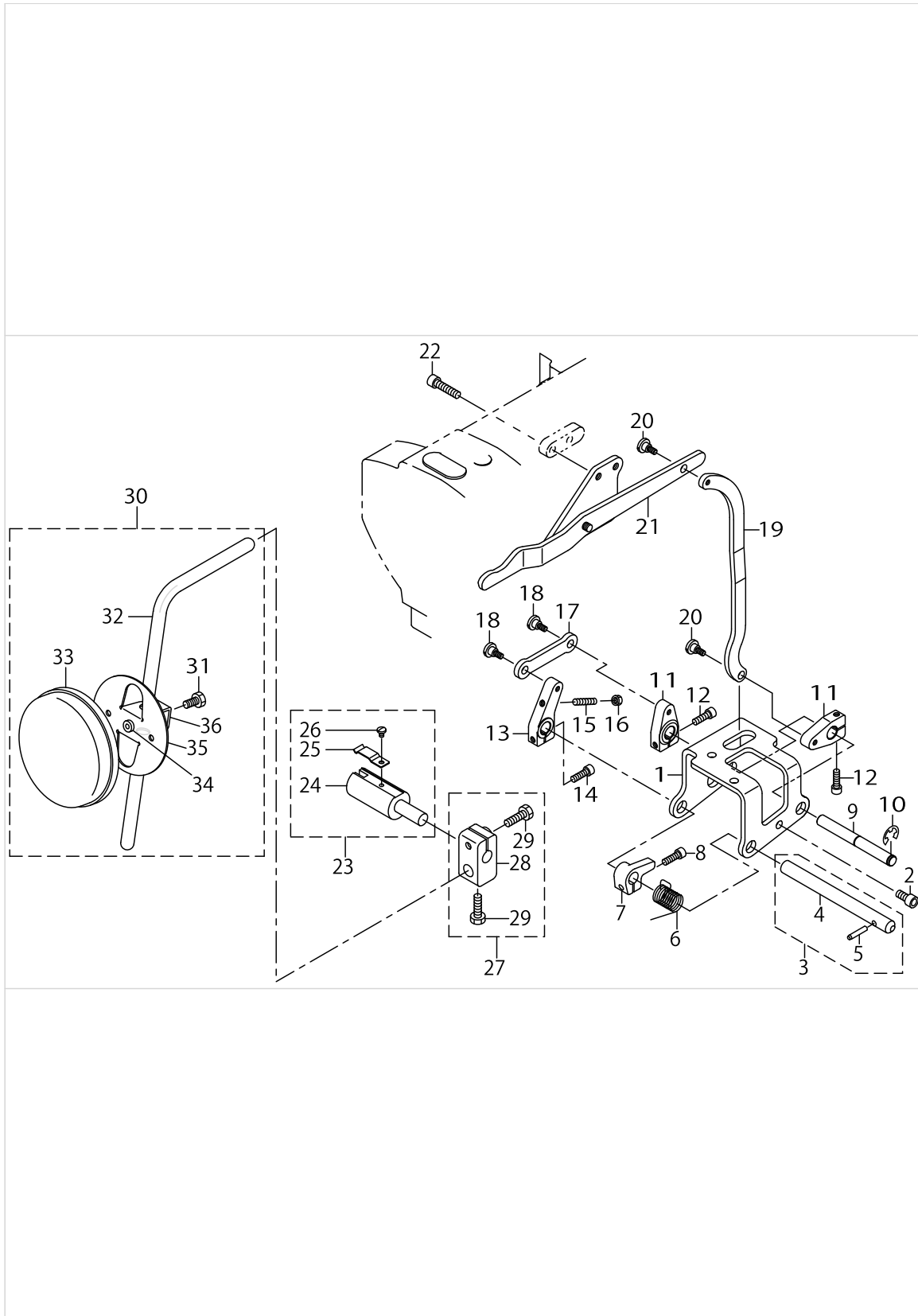
THREAD RELEASE COMPONENTS (FOR LU-1561N-7)



THREAD RELEASE COMPONENTS (FOR LU-1561N-7)

| No. | Parts No. | Parts name | Remarks | Level | Cons | Qty |
|-----|-------------|---------------------------|---------|-------|------|-----|
| 1 | 21441407 | SOLENOID INSTALLING PLATE | | | | 1 |
| 2 | SS7110910TP | SCREW 11/64-40 L=8.5 | | | | 2 |
| 3 | 21363106 | TENSION RELEASE SOLENOID | | | | 1 |
| 4 | SS7110570SP | SCREW 11/64-40 L=4.8 | | | | 2 |
| 5 | 40062388 | WASHER | | | | 1 |
| 6 | HK03464000B | PIN CONTACT | | | | 2 |
| 7 | 21441209 | TENSION RELEASE BAR | | | | 1 |
| 8 | 21441308 | COUPLING | | | | 1 |
| 9 | NM6040001SN | NUT M4X0.7 | | | | 1 |
| 10 | NM6040001SN | NUT M4X0.7 | | | | 1 |
| 11 | NM7040062SB | NUT M4 | | | | 1 |
| 12 | WP0501046SC | WASHER 5X13X1 | | | | 1 |
| 13 | HX00123000A | CABLE CLIP | | | | 1 |

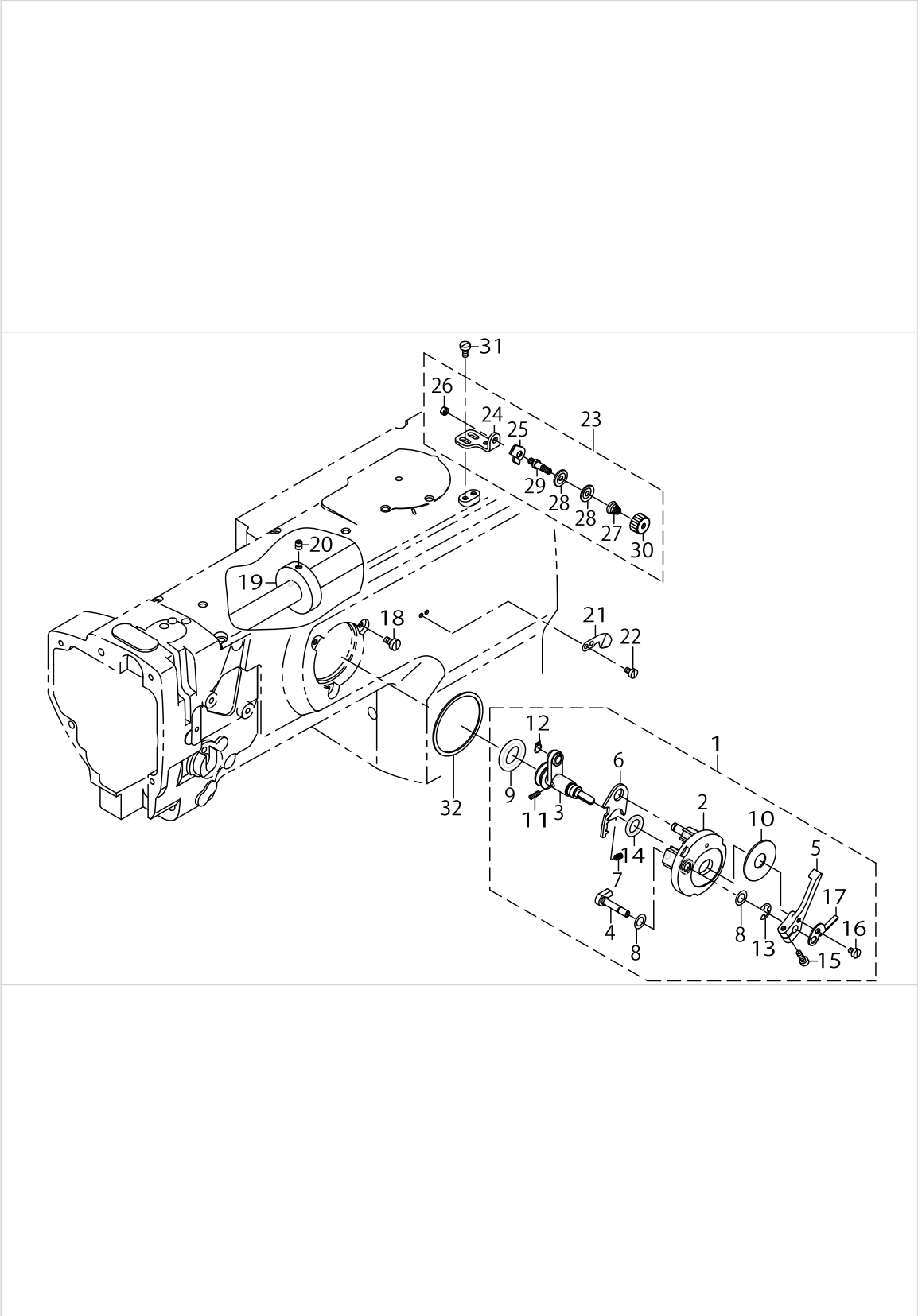
KNEE LIFTING COMPONENTS



KNEE LIFTING COMPONENTS

| No. | Parts No. | Parts name | Remarks | Level | Cons | Qty |
|-----|-------------|------------------------------|--------------|-------|------|-----|
| 1 | 21343207 | KNEE LIFTER SHAFT BASIS | | | | 1 |
| 2 | SM6061202TP | SCREW M6 L=12 | | | | 3 |
| 3 | 21342555 | KNEE LIFTER SHAFT A ASM. | FOR LU-1561N | | | 1 |
| 4 | 21342506 | KNEE LIFTER SHAFT A | | * | | 1 |
| 5 | 21342605 | KNEE LIFTER SHAFT PIN | | * | | 1 |
| 6 | 21343702 | KNEE LIFTER SHAFT A SPRING | FOR LU-1561N | | | 1 |
| 7 | 21343801 | KNEE LIFTER SPRING RACK | FOR LU-1561N | | | 1 |
| 8 | SM6051602TP | SCREW M5X0.8 L=16 | FOR LU-1561N | | | 1 |
| 9 | 21342704 | KNEE LIFTER SHAFT B | FOR LU-1561N | | | 1 |
| 10 | RE0800000K0 | E-SHAPED SNAP RING (8MM) | FOR LU-1561N | | | 1 |
| 11 | 21343009 | KNEE LIFTER LEVER B | FOR LU-1561N | | | 2 |
| 12 | SM6052002TP | SCREW M5 L=20 | FOR LU-1561N | | | 2 |
| 13 | 21342803 | KNEE LIFTER LEVER A | FOR LU-1561N | | | 1 |
| 14 | SM6052002TP | SCREW M5 L=20 | FOR LU-1561N | | | 1 |
| 15 | SM8052502TP | SCREW M5X0.8 L=25 | FOR LU-1561N | | | 1 |
| 16 | NM6050001SD | NUT M5X0.8 | FOR LU-1561N | | | 1 |
| 17 | 21342902 | KNEE LIFTER LINK | FOR LU-1561N | | | 1 |
| 18 | SD0700451TP | HINGE SCREW D=7 H=4.5 | FOR LU-1561N | | | 2 |
| 19 | 21343405 | KNEE LIFTER CONNECTING PLATE | FOR LU-1561N | | | 1 |
| 20 | SD0700451TP | HINGE SCREW D=7 H=4.5 | FOR LU-1561N | | | 2 |
| 21 | 21343355 | KNEE LIFTER LEVER | FOR LU-1561N | | | 1 |
| 22 | SM6062502TP | SCREW M6 L=25 | FOR LU-1561N | | | 2 |
| 23 | 22863252 | KNEE LIFTER JOINT ASM. | FOR LU-1561N | | | 1 |
| 24 | 22863203 | KNEE LIFTER JOINT | | * | | 1 |
| 25 | B3428521000 | PRESSER SPRING | | * | | 1 |
| 26 | SS7090510SP | SCREW 9/64-40 L=4.6 | | * | | 1 |
| 27 | 22932453 | BRACKET ASM. | FOR LU-1561N | | | 1 |
| 28 | 22932404 | BRACKET | | * | | 1 |
| 29 | 22934707 | SCREW | | * | | 2 |
| 30 | 21343157 | KNEE PRESS PLATE ASM. | FOR LU-1561N | | | 1 |
| 31 | SM9061203SE | SCREW M6 L=12 | | * | | 1 |
| 32 | 21343108 | KNEE PRESS LEVER | | * | | 1 |
| 33 | 22934509 | KNEE PAD PLATE COVER | | * | | 1 |
| 34 | 22934400 | KNEE PAD PLATE RUBBER | | * | | 1 |
| 35 | 22934202 | KNEE PAD PLATE | | * | | 1 |
| 36 | 22934301 | KNEE PAD PLATE SUPPORT | | * | | 1 |

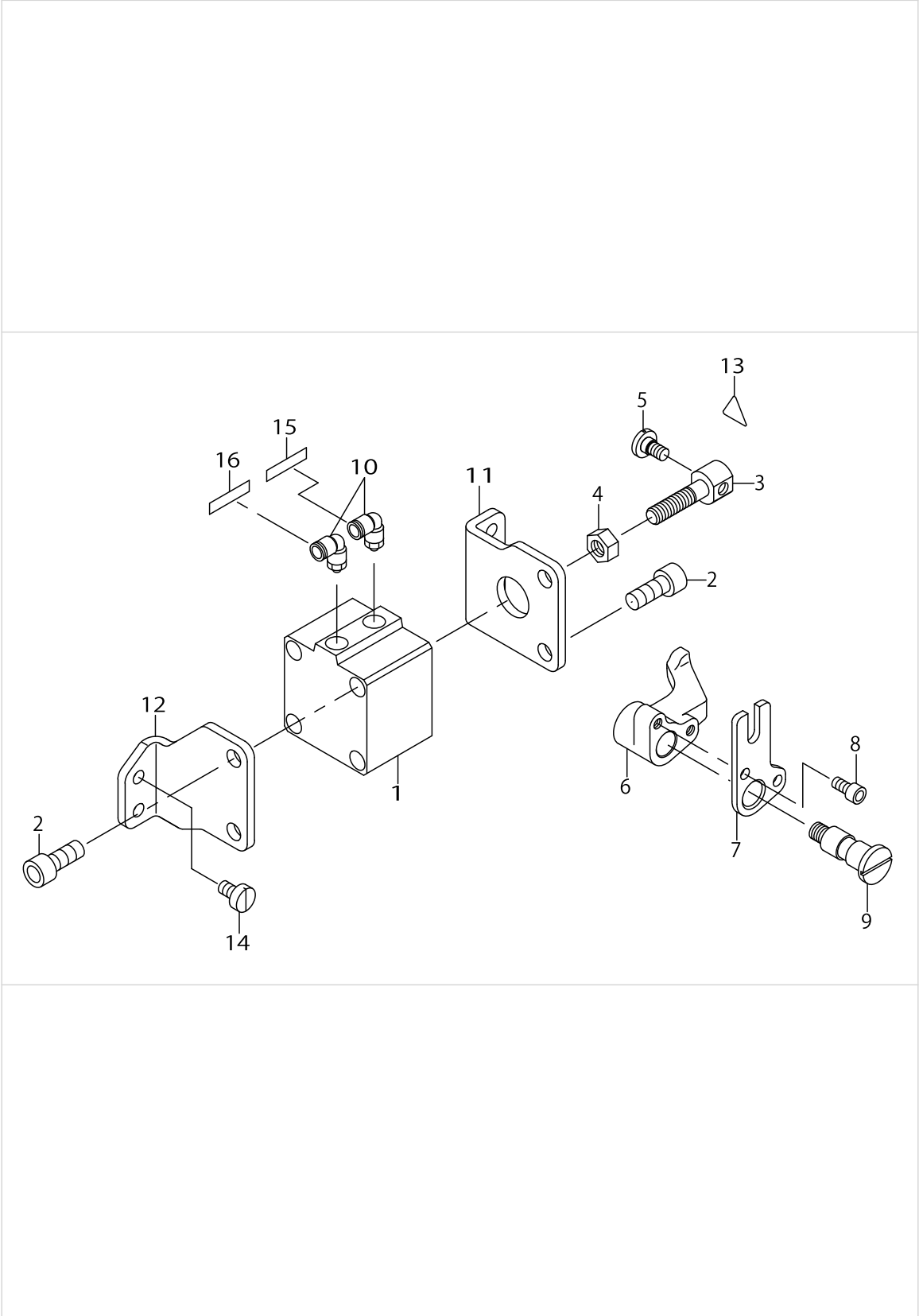
LOWER THREAD WINDER MECHANISM COMPONENTS



LOWER THREAD WINDER MECHANISM COMPONENTS

| No. | Parts No. | Parts name | Remarks | Level | Cons | Qty |
|-----|--------------|-----------------------------|---------|-------|------|-----|
| 1 | 21357967 | BOBBIN DEVICE ASM. | | | | 1 |
| 2 | 22537658 | BOBBIN FITTING BASIS COMPL. | | * | | 1 |
| 3 | 21357959 | BOBIN SHAFT COMPL. | | * | | 1 |
| 4 | 22538151 | BOBBIN CAM SHAFT COMPL. | | * | | 1 |
| 5 | 23636202 | BOBBIN LEVER | | * | | 1 |
| 6 | 21356001 | ADJUSTING PLATE | | * | | 1 |
| 7 | B152989000CA | PRESSUR FOOT SPRING | | * | | 1 |
| 8 | 10618304 | VERTICAL ROLLER WASHER | | * | | 2 |
| 9 | 21358205 | RUBBER RING | | * | | 1 |
| 10 | B3205210000 | CUSHION | | * | | 1 |
| 11 | B1148555000 | SPRING | | * | | 1 |
| 12 | RC0560711KP | RETAINING RING | | * | | 1 |
| 13 | RE0500000K0 | E-RING | | * | | 1 |
| 14 | RO092270200 | RUBBER RING | | * | | 1 |
| 15 | SS7091410SP | SCREW 9/64-40 L=13.5 | | * | | 1 |
| 16 | SS6090520SP | SCREW 9/64-40 L=5.0 | | * | | 1 |
| 17 | 14512503 | BOBBIN ADJUSTING PLATE | | * | | 1 |
| 18 | SS6110810TP | SCREW 11/64-40 L=8 | | | | 3 |
| 19 | 10704807 | BOBBIN FRICTION WHEEL | | | | 1 |
| 20 | SM8050602TP | SCREW M5 L=6 | | | | 2 |
| 21 | 10502300 | THREAD CUTTER | | | | 1 |
| 22 | SS6090620SP | SCREW 9/64-40 L=6 | | | | 2 |
| 23 | 21355755 | LOWER THREAD GUIDE ASM. | | | | 1 |
| 24 | 21355706 | FITTING BASE | | * | | 1 |
| 25 | D3162555B00 | THREAD GUIDE | | * | | 1 |
| 26 | NS6110310SP | NUT 11/64-40 | | * | | 1 |
| 27 | 22945505 | THREAD TENSION SPRING | | * | | 1 |
| 28 | 40113092 | THREAD TENSION DISK | | * | | 2 |
| 29 | 21378708 | THREAD TENSION POST | | * | | 1 |
| 30 | 22945703 | THREAD TENSION NUT | | * | | 1 |
| 31 | SM6040800SP | SCREW | | | | 2 |
| 32 | 22538706 | PACKING | | | | 1 |

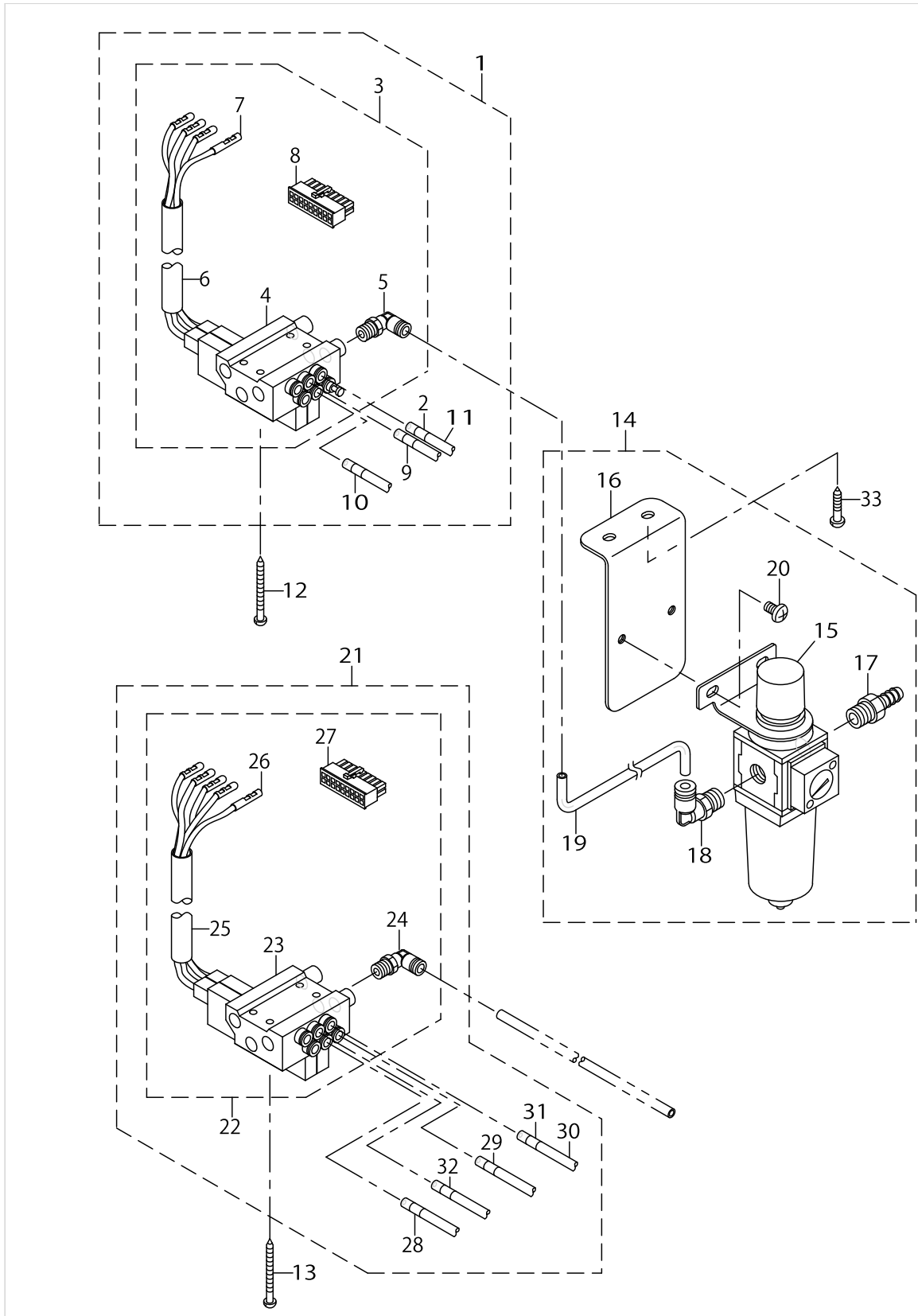
AUTOMATIC PRESSER LIFTING MECHANISM COMPONENTS (FOR LU-1561N-7)



AUTOMATIC PRESSER LIFTING MECHANISM COMPONENTS (FOR LU-1561N-7)

| No. | Parts No. | Parts name | Remarks | Level | Cons | Qty |
|-----|-------------|---------------------------|---------|-------|------|-----|
| 1 | PA400150100 | AIR CYLINDER | | | | 1 |
| 2 | SM6082002TP | SCREW M8 L=20 | | | | 4 |
| 3 | 21356506 | CYLINDER CONNECTING SCREW | | | | 1 |
| 4 | NM6080001SE | NUT M8 | | | | 1 |
| 5 | SD0720331SP | HINGE SCREW D=7.24 H=3.3 | | | | 1 |
| 6 | 21388509 | PRESSER LIFTER LEVER A | | | | 1 |
| 7 | 21356803 | PRESSER LIFTER LEVER B | | | | 1 |
| 8 | SM6051002TP | SCREW M5X0.8 L=10 | | | | 2 |
| 9 | 21356704 | SHAFT | | | | 1 |
| 10 | PJ304065101 | ELBOW UNION 6XPT1/8 | | | | 2 |
| 11 | 21356308 | CYLINDER STAY(FRONT) | | | | 1 |
| 12 | 21356407 | CYLINDER STAY(REAR) | | | | 1 |
| 13 | CM300200001 | ATTENTION SEAL | | | | 1 |
| 14 | SS6151040SP | SCREW 15/64-28 L=10 | | | | 4 |
| 15 | HX00295000A | WIRE MARK(2) | | | | 1 |
| 16 | HX00295000B | WIRE MARK(3) | | | | 1 |

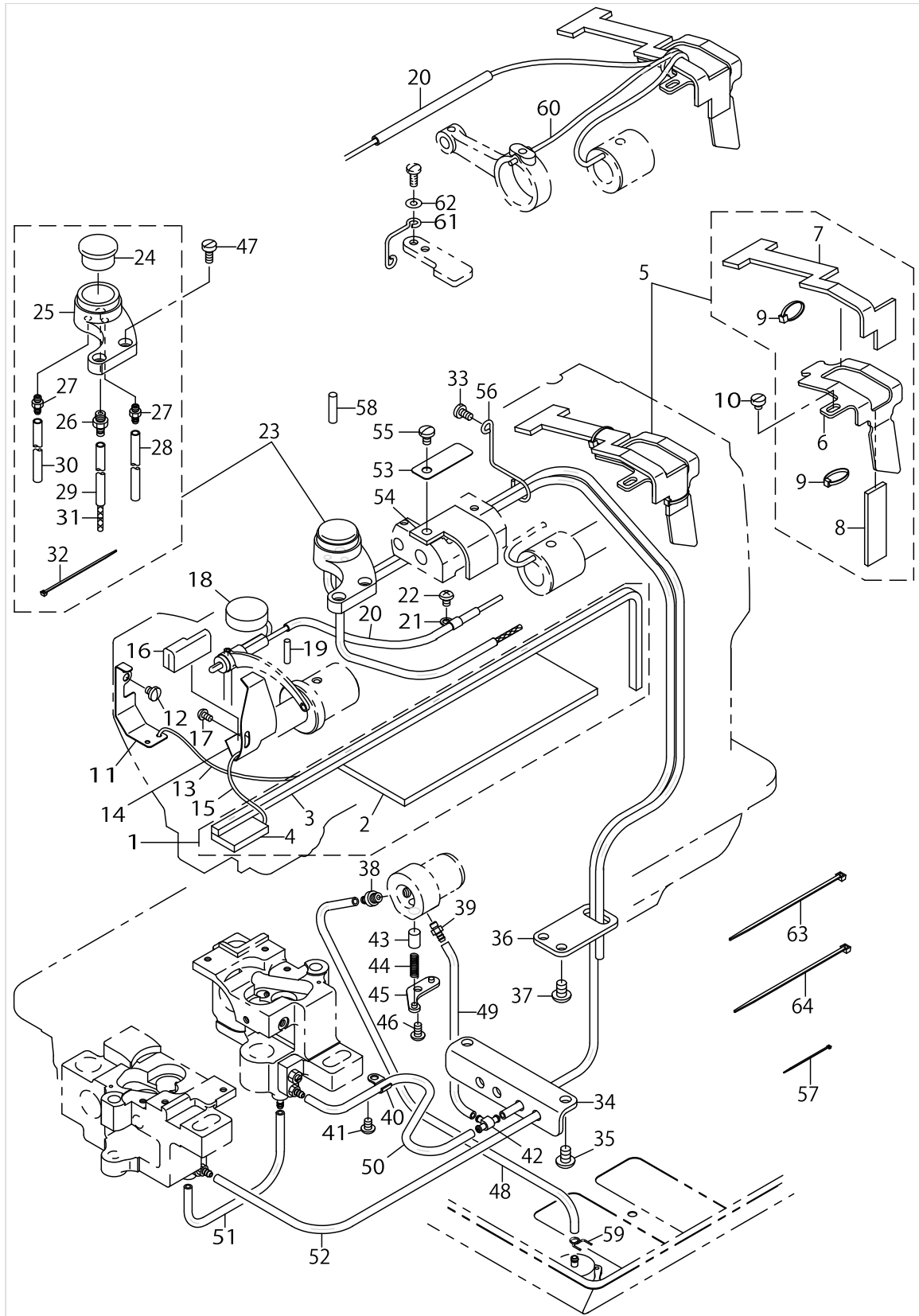
AIR MECHANISM COMPONENTS (FOR LU-1561N-7)



AIR MECHANISM COMPONENTS (FOR LU-1561N-7)

| No. | Parts No. | Parts name | Remarks | Level | Cons | Qty |
|-----|-------------|---------------------------------|----------------|-------|------|-----|
| 1 | 40102065 | AIR APPARATUS B ASM. | | | | 1 |
| 2 | HX002950000 | WIRE MARK(1) | | * | | 4 |
| 3 | 40102063 | ELECTROMAGNETIC VALVE B ASM. | | * | | 1 |
| 4 | GAKA2302B00 | ELECTROMAGNETIC VALVE A | | * | | 1 |
| 5 | GAK29010000 | ELBOW B | | * | | 1 |
| 6 | GAKA1503000 | INSULATION TUBE | | * | | 1 |
| 7 | HK03464000A | TERMINAL FEMALE | | * | | 4 |
| 8 | HK034610180 | CONNECTOR | | * | | 1 |
| 9 | HX00295000A | WIRE MARK(2) | | * | | 4 |
| 10 | HX00295000B | WIRE MARK(3) | | * | | 4 |
| 11 | BT0600401EB | TUBE | | * | | 3 |
| 12 | SK3385001SE | WOOD SCREW D=3.8 L=50 | | | | 4 |
| 13 | SK3385001SE | WOOD SCREW D=3.8 L=50 | | | | 4 |
| 14 | 40038722 | FILTER REGULATAR ASM. | | | | 1 |
| 15 | PF0552170A0 | FILTER REGULATOR | | * | | 1 |
| 16 | 40038723 | FILTER REGULATOR MOUNTING PLATE | | * | | 1 |
| 17 | 40107618 | NIPPLE | | * | | 1 |
| 18 | GAK29009000 | ELBOW | | * | | 1 |
| 19 | BT0600401EB | TUBE | | * | | 1 |
| 20 | SM4061001SB | SCREW M6 L=10 | | * | | 2 |
| 21 | 40102066 | AIR APPARATUS C ASM. | OPTIONAL PARTS | | | 1 |
| 22 | 40102064 | ELECTROMAGNETIC VALVE C ASM. | | * | | 1 |
| 23 | GAKA2302C00 | ELECTROMAGNETIC VALVE C | | * | | 1 |
| 24 | GAK29010000 | ELBOW B | | * | | 1 |
| 25 | GAKA1503000 | INSULATION TUBE | | * | | 1 |
| 26 | HK03464000A | PIN TERMINAL FEMALE | | * | | 5 |
| 27 | HK034610180 | CONNECTOR | | * | | 1 |
| 28 | HX00295000B | WIRE MARK(3) | | * | | 4 |
| 29 | HX00295000C | WIRE MARK(4) | | * | | 4 |
| 30 | BT0600401EB | TUBE | | * | | 4 |
| 31 | HX002950000 | WIRE MARK(1) | | * | | 4 |
| 32 | HX00295000A | WIRE MARK(2) | | * | | 4 |
| 33 | SK3482501SE | WOOD SCREW D=4.8 L=25 | | | | 2 |

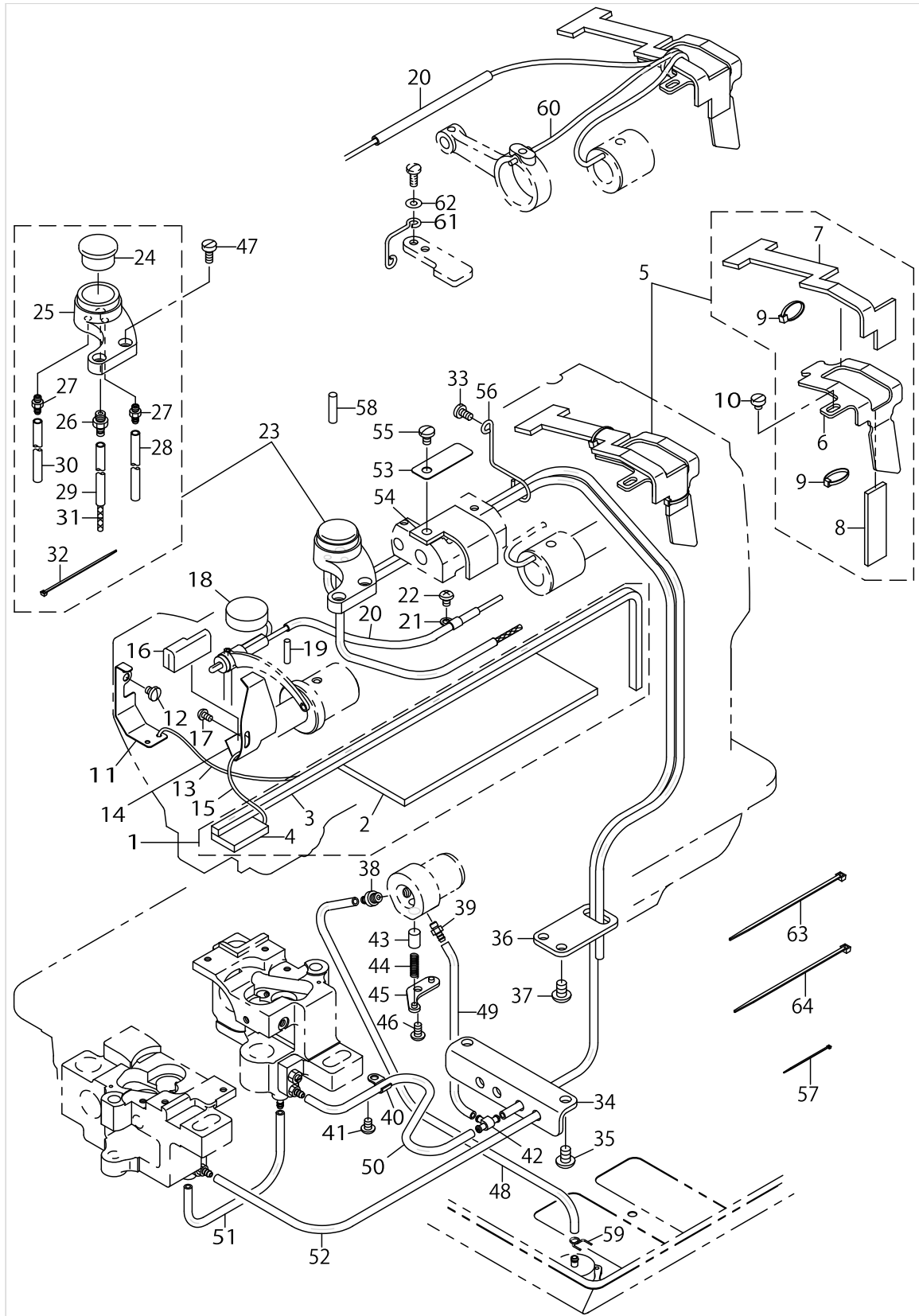
LUBRICATION COMPONENTS



LUBRICATION COMPONENTS

| No. | Parts No. | Parts name | Remarks | Level | Cons | Qty |
|-----|-------------|--------------------------------|---------|-------|------|------|
| 1 | 21345756 | ARM ONCE THROUGH OIL FELT ASM. | | | | 1 |
| 2 | 21345707 | ARM ONCE THROUGH FELT A | | * | | 1 |
| 3 | 21345806 | FELT B | | * | | 1 |
| 4 | 21345905 | FACE ONCE THROUGH FELT | | * | | 1 |
| 5 | 21346358 | FELT SUPPORT ASM. | | | | 1 |
| 6 | 21346309 | FELT | | * | | 1 |
| 7 | 21346507 | FEED CHANGE FELT | | * | | 1 |
| 8 | 21346408 | FELT | | * | | 1 |
| 9 | EA9500B0000 | CLIP CV-70S | | * | | 2 |
| 10 | SS6110480SP | SCREW 11/64-40 L=4.3 | | | | 1 |
| 11 | 21340708 | UPPER FEED OIL BAR PLATE | | | | 1 |
| 12 | SS7110510SP | SCREW 11/64-40 L=5 | | | | 1 |
| 13 | CQ202000000 | OIL WICK | | | | 0.2 |
| 14 | 21347000 | TAKE-UP OIL PLATE | | | | 1 |
| 15 | CQ202000000 | OIL WICK | | | | 0.25 |
| 16 | 21347208 | TAKE-UP LUBRICATION FELT | | | | 1 |
| 17 | SS3090610SP | SCREW 9/64-40 L=6 | | | | 1 |
| 18 | 21346002 | FELT | | | | 1 |
| 19 | B1412051000 | FELT | | | | 1 |
| 20 | BT0600402EA | OIL TUBE | | | | 0.12 |
| 21 | B3538112000 | OIL RETURN TUBE HOLDER | | | | 1 |
| 22 | SS4110615SP | SCREW 11/64-40 L=6 | | | | 1 |
| 23 | 40051503 | ARM OIL TANK ASM. | | | | 1 |
| 24 | B3520586000 | OIL SIGHT WINDOW | | * | | 1 |
| 25 | 21345608 | ARM OIL TANK | | * | | 1 |
| 26 | SQ1110401MZ | CONNECTING SCREW | | * | | 1 |
| 27 | SQ1150451MZ | CONNECTING SCREW | | * | | 2 |
| 28 | 23630007 | TUBE | | * | | 0.5 |
| 29 | 23630007 | TUBE | | * | | 0.2 |
| 30 | 23630007 | TUBE | | * | | 0.6 |
| 31 | CQ252000000 | OIL WICK | | * | | 0.7 |
| 32 | EA9500B0100 | CABLE BAND | | * | | 3 |
| 33 | SS7110830SP | SCREW 11/64-40 L=7.5 | | | | 1 |
| 34 | 21345103 | LUBRICATION BRACKET | | | | 1 |
| 35 | SS4150915SP | SCREW 15/64-28 L=9 | | | | 2 |
| 36 | 21345202 | OIL PIPE STAY | | | | 1 |
| 37 | SS4150915SP | SCREW 15/64-28 L=9 | | | | 2 |
| 38 | 40064409 | CONNECTION SCREW ASM. | | | | 1 |
| 39 | SQ1110401MZ | CONNECTING SCREW | | | | 1 |
| 40 | B3538112000 | OIL RETURN TUBE HOLDER | | | | 1 |
| 41 | SS4110615SP | SCREW 11/64-40 L=6 | | | | 1 |
| 42 | 13765607 | OIL CONNEC. ARM | | | | 1 |
| 43 | B3534155000 | PLUNGER | | | | 1 |
| 44 | B1214038000 | PLUNGER SPRING | | | | 1 |
| 45 | B3524552000 | PLUNGER THRUST PLATE | | | | 1 |
| 46 | SS4110815SP | SCREW 11/64-40 L=8 | | | | 1 |
| 47 | SS6111010TP | SCREW 11/64-40 L=9.5 | | | | 2 |

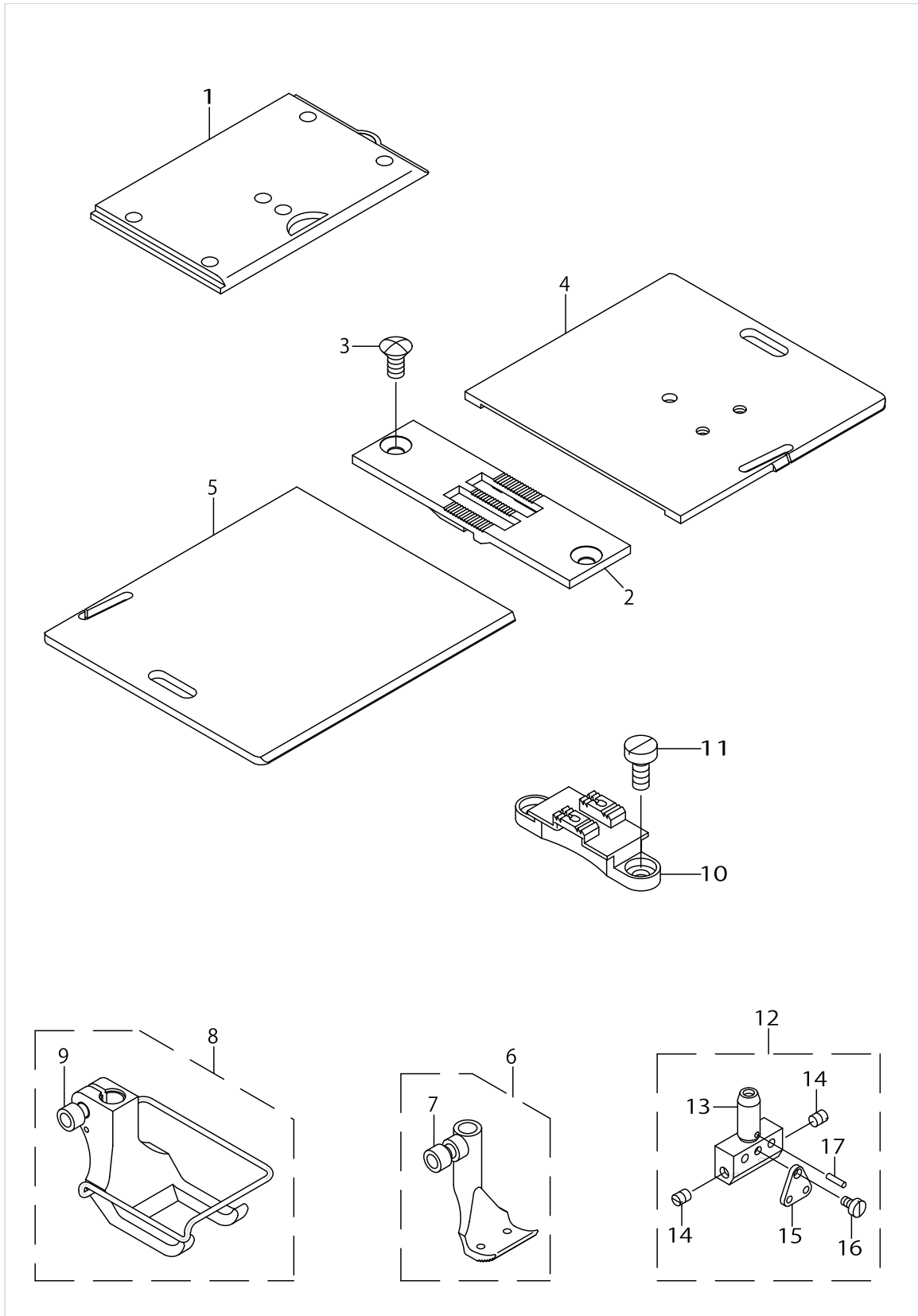
LUBRICATION COMPONENTS



LUBRICATION COMPONENTS

| No. | Parts No. | Parts name | Remarks | Level | Cons | Qty |
|-----|-------------|-----------------------------|----------------|-------|------|------|
| 48 | 23630007 | TUBE | | | | 0.36 |
| 49 | 23630007 | TUBE | | | | 0.16 |
| 50 | 23630007 | TUBE | | | | 0.22 |
| 51 | 23630007 | TUBE | | | | 0.1 |
| 52 | 23630007 | TUBE | | | | 0.5 |
| 53 | 21346101 | LUBRICATION FELT PRESSER | FOR LU-1561N-7 | | | 1 |
| 54 | 21346200 | MUTUAL VERTICAL CHANGE FELT | FOR LU-1561N-7 | | | 1 |
| 55 | SS7120760SP | SCREW 3/16-28 L=7.0 | FOR LU-1561N-7 | | | 1 |
| 56 | 21346606 | PIPE SUPPORT | | | | 1 |
| 57 | EA9500B0100 | CABLE BAND | | | | 14 |
| 58 | PS0500202KP | SPRING PIN 5X20 | FOR LU-1561N | | | 1 |
| 59 | 10126803 | OIL TUBE HOLDER | | | | 1 |
| 60 | CQ202000000 | OIL WICK | FOR LU-1561N | | | 0.2 |
| 61 | 22620504 | OIL WICK HOLDER | FOR LU-1561N | | | 1 |
| 62 | WP0450801SD | WASHER 4.5X10X0.8 | FOR LU-1561N | | | 1 |
| 63 | EA9500B0100 | CABLE BAND | | | | 1 |
| 64 | A407855000A | CLIP BAND | | | | 1 |

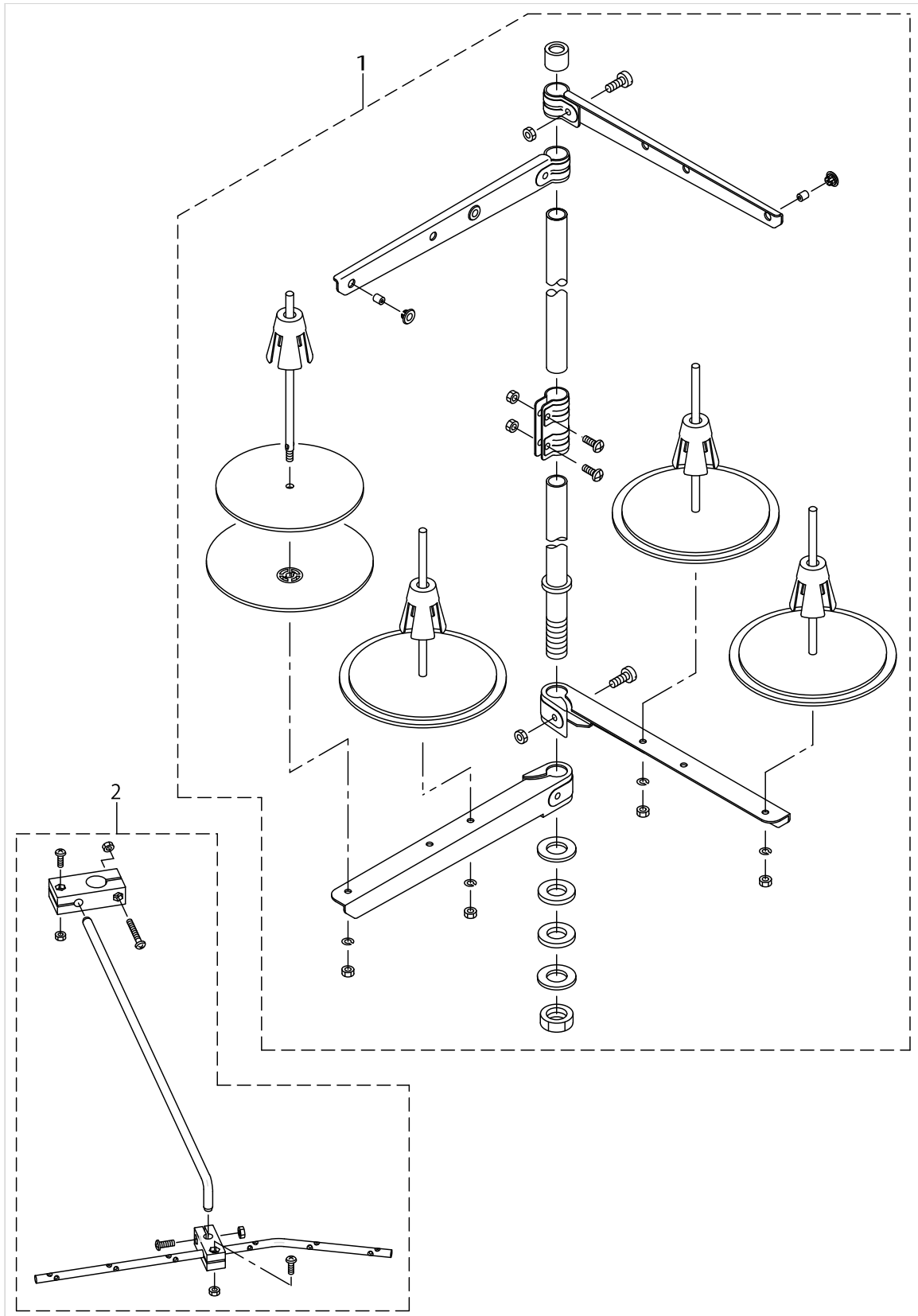
GAUGE COMPONENTS



GAUGE COMPONENTS

| No. | Parts No. | Parts name | Remarks | Level | Cons | Qty |
|-----|-------------|-------------------------------|---------|-------|------|-----|
| 1 | 10701654 | SLIDE PLATE ASM. | | | | 1 |
| 2 | 21453105 | THROAT PLATE (10MM) | | | | 1 |
| 3 | SS2110920TP | SCREW 11/64-40 L=8.5 | | | | 2 |
| 4 | 10786002 | SLIDE PLATE RIGHT 10-18MM | | | | 1 |
| 5 | 10786408 | SLIDE PLATE LEFT 10-18MM | | | | 1 |
| 6 | 10783355 | FEED FOOT ASM. 10MM | | | | 1 |
| 7 | SM6040552TP | SCREW M4 L=4.5 | | * | | 1 |
| 8 | 10781854 | PRESSER FOOT ASM. | | | | 1 |
| 9 | SM6040802TP | SCREW M4X0.7 L=8 | | * | | 1 |
| 10 | 10780302 | FEED DOG | | | | 1 |
| 11 | SS6111010SP | SCREW 11/64-40 L=9.5 | | | | 2 |
| 12 | 10777852 | NEEDLE CLAMP ASM.10MM | | | | 1 |
| 13 | 10777803 | NEEDLE CLAMP 10MM | | * | | 1 |
| 14 | SS8080410TP | SCREW 1/8-44 L=3.5 | | * | | 2 |
| 15 | 10779007 | NEEDLE BAR THREAD GUIDE 4-8MM | | * | | 1 |
| 16 | SS6060440TP | SCREW 3/32-56 L=3.5 | | * | | 1 |
| 17 | PS0150065KP | SPRING PIN 1.5X6 | | * | | 1 |

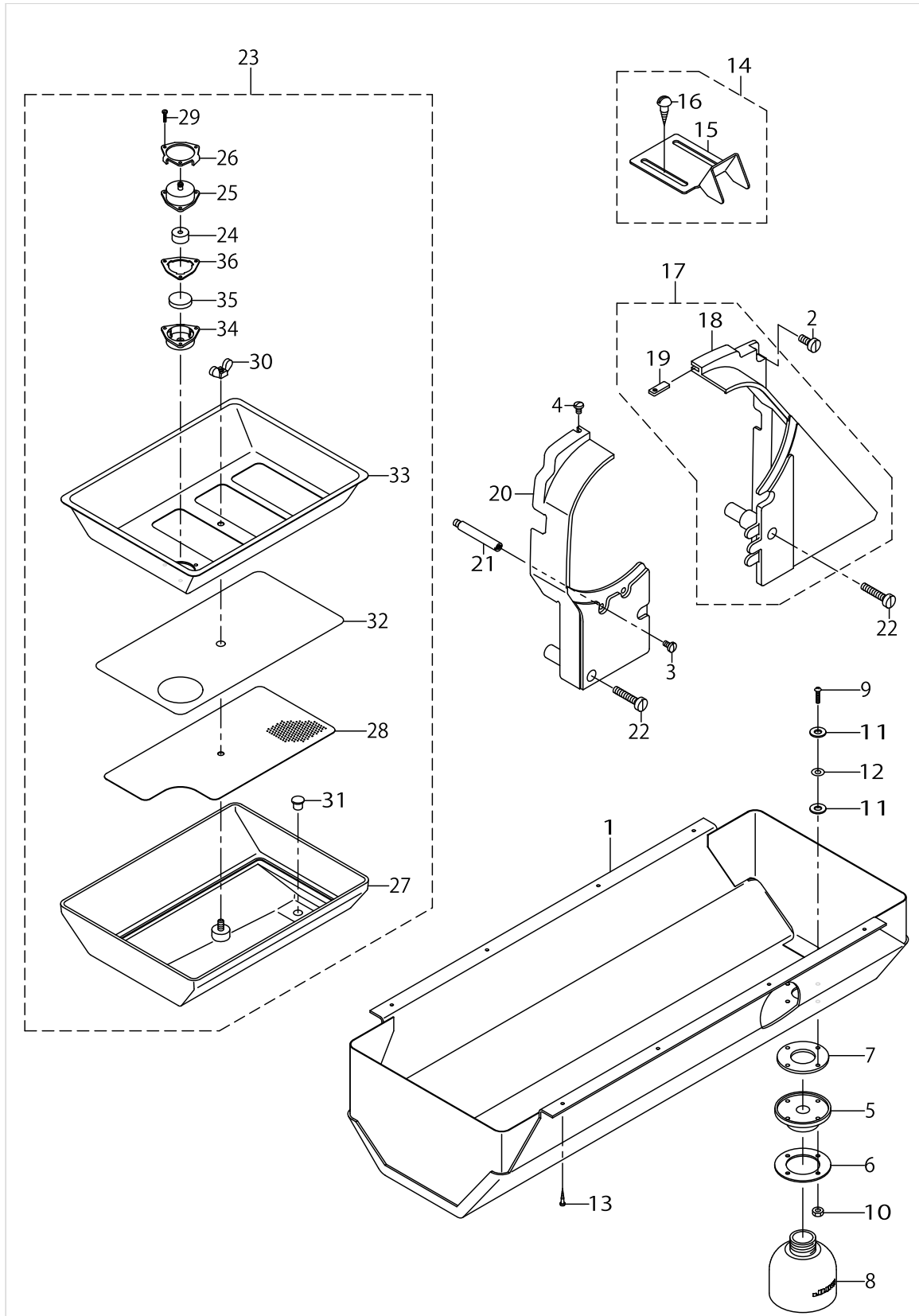
THREAD STAND COMPONENTS



THREAD STAND COMPONENTS

| No. | Parts No. | Parts name | Remarks | Level | Cons | Qty |
|-----|-----------|-----------------------------|----------------|-------|------|-----|
| 1 | 26910158 | THREAD STANDING DEVICE ASM. | | | | 1 |
| 2 | 26910059 | THREAD GUIDE ARM ASM. | FOR LU-1561N-7 | | | 1 |

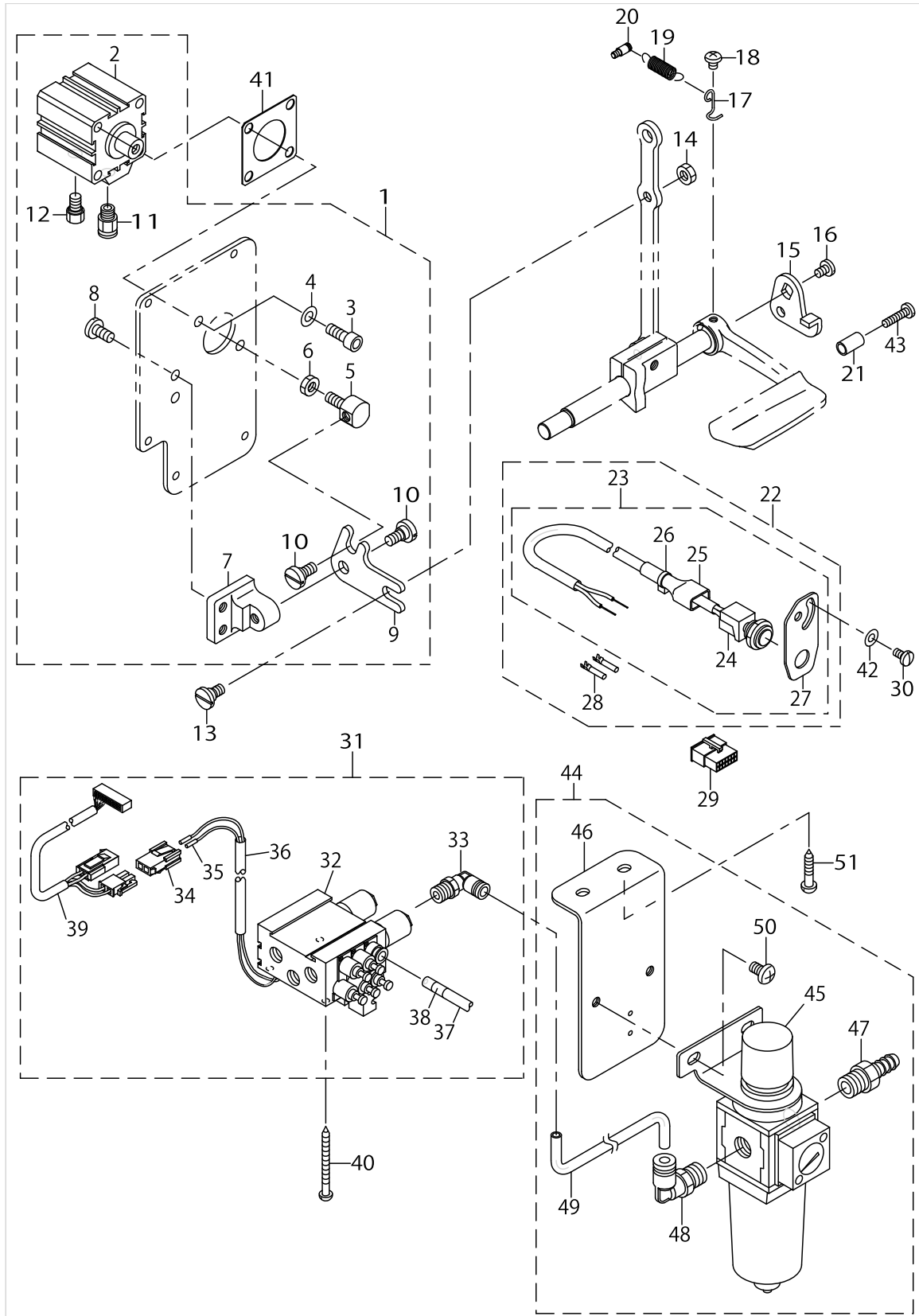
BELT COVER & OIL RESERVOIR COMPONENTS



BELT COVER & OIL RESERVOIR COMPONENTS

| No. | Parts No. | Parts name | Remarks | Level | Cons | Qty |
|-----|-------------|-------------------------------|---------|-------|------|-----|
| 1 | 21351457 | OIL RESERVOIR ASM. | | | | 1 |
| 2 | SS6151440SP | SCREW 15/64-28 L=14 | | | | 1 |
| 3 | SS7110840SP | SCREW 11/64-40 L=7.8 | | | | 1 |
| 4 | SS5110740TP | SCREW 11/64-40 L=6.5 | | | | 1 |
| 5 | 40025299 | OIL POT JOINT | | | | 1 |
| 6 | 21379003 | OIL MANAGEMENT WASHER | | | | 1 |
| 7 | B8112220000 | OIL SEAL | | | | 1 |
| 8 | 40025300 | OIL POT | | | | 1 |
| 9 | SM3031401SE | SCREW M3X0.5 L=14 | | | | 4 |
| 10 | NM6030001SC | NUT M3 | | | | 4 |
| 11 | 10748101 | OIL REMOVING SETSCREW PACKING | | | | 8 |
| 12 | WP0320501SC | WASHER M3 | | | | 4 |
| 13 | SK3241601SC | WOOD SCREW D=2.4 L=16 | | | | 8 |
| 14 | 10755254 | BELT COVER C ASM. (FOR JE) | | | | 1 |
| 15 | 10755205 | BELT COVER C(JE) | | * | | 1 |
| 16 | SK3482500SC | WOOD SCREW D=4.8 L=25 | | * | | 2 |
| 17 | 21351150 | BELT COVER ASM. (RIGHT) | | | | 1 |
| 18 | 21351101 | BELT COVER (RIGHT) | | * | | 1 |
| 19 | 21351002 | BELT COVER AUXILIARY PLATE | | * | | 1 |
| 20 | 21351200 | BELT COVER (LEFT) | | | | 1 |
| 21 | D8232241E00 | BELT COVER SUPPORT A | | | | 1 |
| 22 | SS6153040SP | SCREW 15/64-28 L=30 | | | | 2 |
| 23 | 21345350 | OIL TANK ASM. | | | | 1 |
| 24 | 10727303 | FILTER | | * | | 1 |
| 25 | 10727204 | FILTER CAP | | * | | 1 |
| 26 | 10753002 | FILTER PLATE | | * | | 1 |
| 27 | 21345301 | OIL TANK | | * | | 1 |
| 28 | 21346804 | COVER(LOWER) | | * | | 1 |
| 29 | SM6021000TP | SCREW | | * | | 3 |
| 30 | NM9050001SC | WING NUT M5X0.8 | | * | | 1 |
| 31 | TA0800704R0 | RUBBER PLUG | | * | | 1 |
| 32 | 21346903 | FILTER | | * | | 1 |
| 33 | 21346705 | COVER(REAR) | | * | | 1 |
| 34 | 21345509 | FILTER CASE | | * | | 1 |
| 35 | B8228125000 | OIL RESERVOIR MAGNET | | * | | 1 |
| 36 | 10739209 | FILTER PACKING | | * | | 1 |

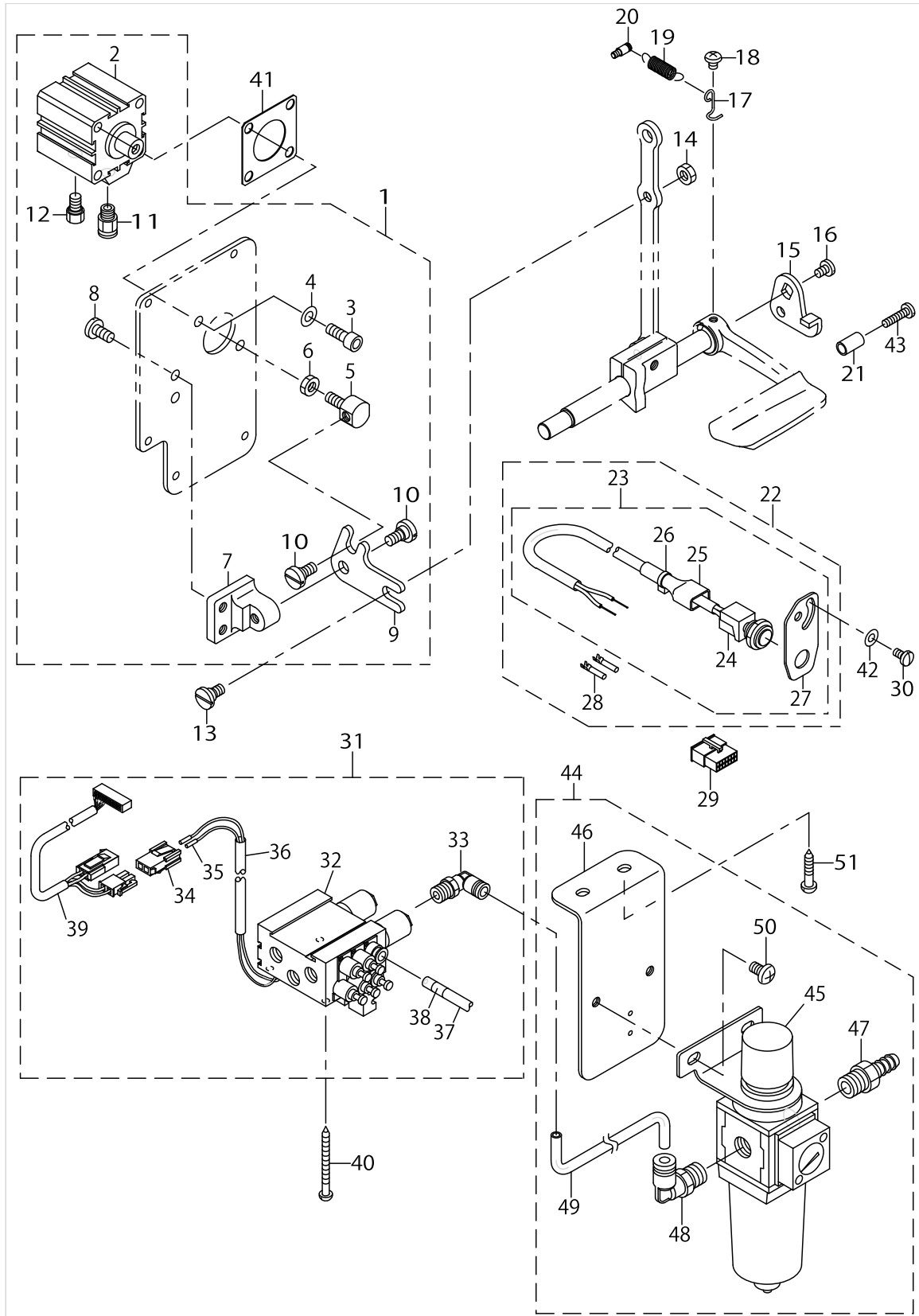
AUTOMATIC BACK COMPONENTS (OPTIONAL PARTS)



AUTOMATIC BACK COMPONENTS (OPTIONAL PARTS)

| No. | Parts No. | Parts name | Remarks | Level | Cons | Qty |
|-----|-------------|---------------------------------|---------|-------|------|-----|
| 1 | 21348958 | WINDOW PLATE ASM. | | | | 1 |
| 2 | PA320150200 | JIG CYLINDER | | * | | 1 |
| 3 | SM6061602TP | SCREW M6 L=16 | | * | | 2 |
| 4 | WP0641601SD | WASHER M6 | | * | | 2 |
| 5 | 21348602 | CYLINDER CONNECTING SCREW | | * | | 1 |
| 6 | NM6060003SC | NUT M6 | | * | | 1 |
| 7 | 21348503 | FITTING BASE | | * | | 1 |
| 8 | SS7151210SP | SCREW 15/64-28 L=12 | | * | | 2 |
| 9 | 21348701 | BACKWARD FEED LINK | | * | | 1 |
| 10 | SD0800352SP | HINGE SCREW D=8 H=3.5 | | * | | 2 |
| 11 | PJ301065104 | HALF UNION | | * | | 1 |
| 12 | PX015101000 | MUFFLER | | * | | 1 |
| 13 | SD0800402TP | HINGE SCREW D=8 H=4 | | | | 1 |
| 14 | NS6150430SP | NUT 15/64-28 | | | | 1 |
| 15 | 22656102 | REVERSE FEED LINK (1) | | | | 1 |
| 16 | SS7120760SP | SCREW 3/16-28 L= 7.0 | | | | 1 |
| 17 | 22656003 | SPRING SUSPENSION | | | | 1 |
| 18 | SS4120615SP | SCREW 3/16-28 L=6 | | | | 1 |
| 19 | 26226209 | SPRING | | | | 1 |
| 20 | 40023289 | SPRING SUSPENSION | | | | 1 |
| 21 | 22952501 | BACK LEVER STOPPER | | | | 1 |
| 22 | 40056366 | BT SWITCH C ASM. | | | | 1 |
| 23 | 40056365 | BT SWITCH B ASM. | | * | | 1 |
| 24 | 40056364 | BT SWITCH A ASM. | | * | | 1 |
| 25 | GTS01037000 | CONNECTOR COVER | | * | | 1 |
| 26 | EA9500B0100 | CABLE BAND | | * | | 1 |
| 27 | 21388608 | CABLE BAND | | * | | 1 |
| 28 | HK03464000A | TERMINAL FEMALE | | * | | 2 |
| 29 | HK034610140 | HOUSING 14P | | | | 1 |
| 30 | SS7110840SP | SCREW 11/64-40 L=7.8 | | | | 2 |
| 31 | 40107488 | AIR APPARATUS ASM. | | | | 1 |
| 32 | 40105335 | ELECTROMAGNETIC VALVE (F) | | * | | 1 |
| 33 | GAK29010000 | ELBOW B | | * | | 1 |
| 34 | HK034620020 | 2P PLUG | | * | | 1 |
| 35 | HK03463000A | TERMINAL | | * | | 2 |
| 36 | GAKA1503000 | INSULATION TUBE | | * | | 1 |
| 37 | BT0600401EB | TUBE | | * | | 1.3 |
| 38 | HX002950000 | WIRE MARK(1) | | * | | 4 |
| 39 | 40105811 | CORD ASM. | | * | | 1 |
| 40 | SK3385001SE | WOOD SCREW D=3.8 L=50 | | | | 4 |
| 41 | 21349105 | CYLINDER PACKING | | | | 1 |
| 42 | WP0501016SD | WASHER 5X10.5X1 | | | | 2 |
| 43 | SS7111810SP | SCREW 11/64-40 L=18 | | | | 1 |
| 44 | 40038722 | FILTER REGULATAR ASM. | | | | 1 |
| 45 | PF0552170A0 | FILTER REGULATOR | | * | | 1 |
| 46 | 40038723 | FILTER REGULATOR MOUNTING PLATE | | * | | 1 |
| 47 | 40107618 | NIPPLE | | * | | 1 |

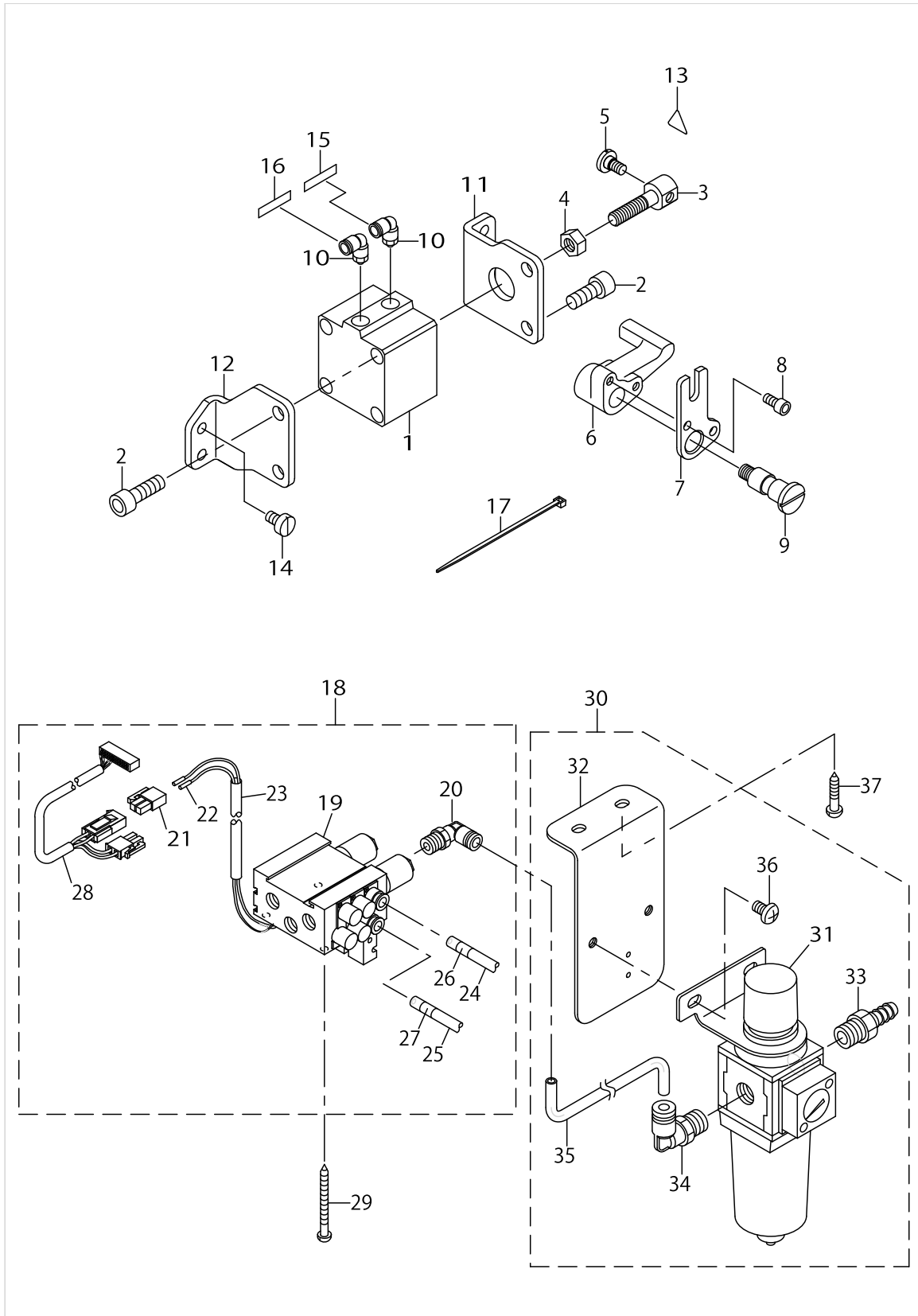
AUTOMATIC BACK COMPONENTS (OPTIONAL PARTS)



AUTOMATIC BACK COMPONENTS (OPTIONAL PARTS)

| No. | Parts No. | Parts name | Remarks | Level | Cons | Qty |
|-----|-------------|-----------------------|---------|-------|------|------|
| 48 | GAK29009000 | ELBOW | | * | | 1 |
| 49 | BT0600401EB | TUBE | | * | | 0.28 |
| 50 | SM4061001SB | SCREW M6 L=10 | | * | | 2 |
| 51 | SK3482501SE | WOOD SCREW D=4.8 L=25 | | | | 2 |

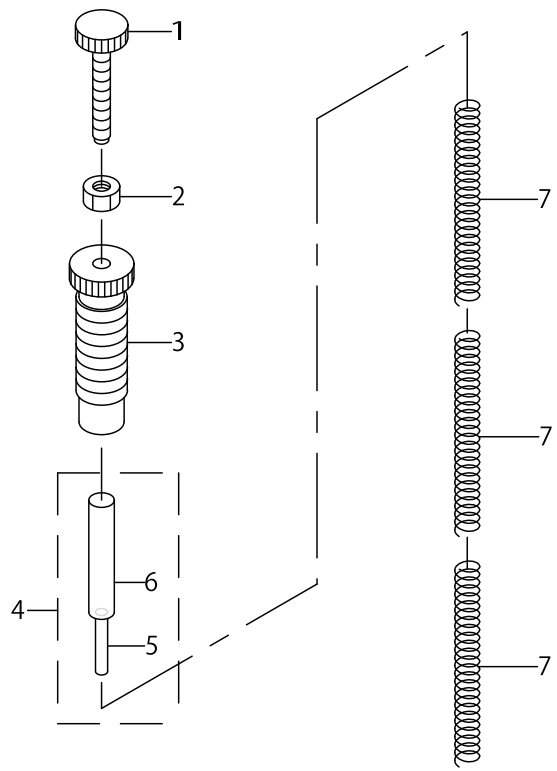
AUTOMATIC PRESSER LIFTING MECHANISM COMPONENTS (OPTIONAL PARTS)



AUTOMATIC PRESSER LIFTING MECHANISM COMPONENTS (OPTIONAL PARTS)

| No. | Parts No. | Parts name | Remarks | Level | Cons | Qty |
|-----|-------------|---------------------------------|---------|-------|------|------|
| 1 | PA400150100 | AIR CYLINDER | | | | 1 |
| 2 | SM6082002TP | SCREW M8 L=20 | | | | 4 |
| 3 | 21356506 | CYLINDER CONNECTING SCREW | | | | 1 |
| 4 | NM6080001SE | NUT M8 | | | | 1 |
| 5 | SD0720331SP | HINGE SCREW D=7.24 H=3.3 | | | | 1 |
| 6 | 21356605 | LEVER A | | | | 1 |
| 7 | 21356803 | LEVER B | | | | 1 |
| 8 | SM6051002TP | SCREW M5X0.8 L=10 | | | | 2 |
| 9 | 21356704 | SHAFT | | | | 1 |
| 10 | PJ304065101 | ELBOW UNION 6XPT1/8 | | | | 2 |
| 11 | 21356308 | CYLINDER STAY(FRONT) | | | | 1 |
| 12 | 21356407 | CYLINDER STAY(REAR) | | | | 1 |
| 13 | CM300200001 | ATTENTION SEAL | | | | 1 |
| 14 | SS6151040SP | SCREW 15/64-28 L=10 | | | | 4 |
| 15 | HX002950000 | WIRE MARK(1) | | | | 1 |
| 16 | HX00295000A | WIRE MARK(2) | | | | 1 |
| 17 | EA9500B0100 | CABLE BAND | | | | 3 |
| 18 | 40103003 | AIR APPARATUS(P)ASM. | | | | 1 |
| 19 | 40038904 | MAGNETIC VALVE(P) | | * | | 1 |
| 20 | GAK29010000 | ELBOW B | | * | | 1 |
| 21 | HK034610020 | 2-POLE NYLON PLUG | | * | | 1 |
| 22 | HK03464000A | TERMINAL FEMALE | | * | | 2 |
| 23 | GAKA1503000 | INSULATION TUBE | | * | | 1 |
| 24 | BT0600401EB | TUBE | | * | | 1.3 |
| 25 | BT0600401EB | TUBE | | * | | 1.3 |
| 26 | HX00295000A | WIRE MARK(2) | | * | | 4 |
| 27 | HX00295000B | WIRE MARK(3) | | * | | 4 |
| 28 | 40105811 | CORD ASM. | | * | | 1 |
| 29 | SK3385001SE | WOOD SCREW D=3.8 L=50 | | | | 4 |
| 30 | 40038722 | FILTER REGULATAR ASM. | | | | 1 |
| 31 | PF0552170A0 | FILTER REGULATOR | | * | | 1 |
| 32 | 40038723 | FILTER REGULATOR MOUNTING PLATE | | * | | 1 |
| 33 | 40107618 | NIPPLE | | * | | 1 |
| 34 | GAK29009000 | ELBOW | | * | | 1 |
| 35 | BT0600401EB | TUBE | | * | | 0.28 |
| 36 | SM4061001SB | SCREW M6 L=10 | | * | | 2 |
| 37 | SK3482501SE | WOOD SCREW D=4.8 L=25 | | | | 2 |

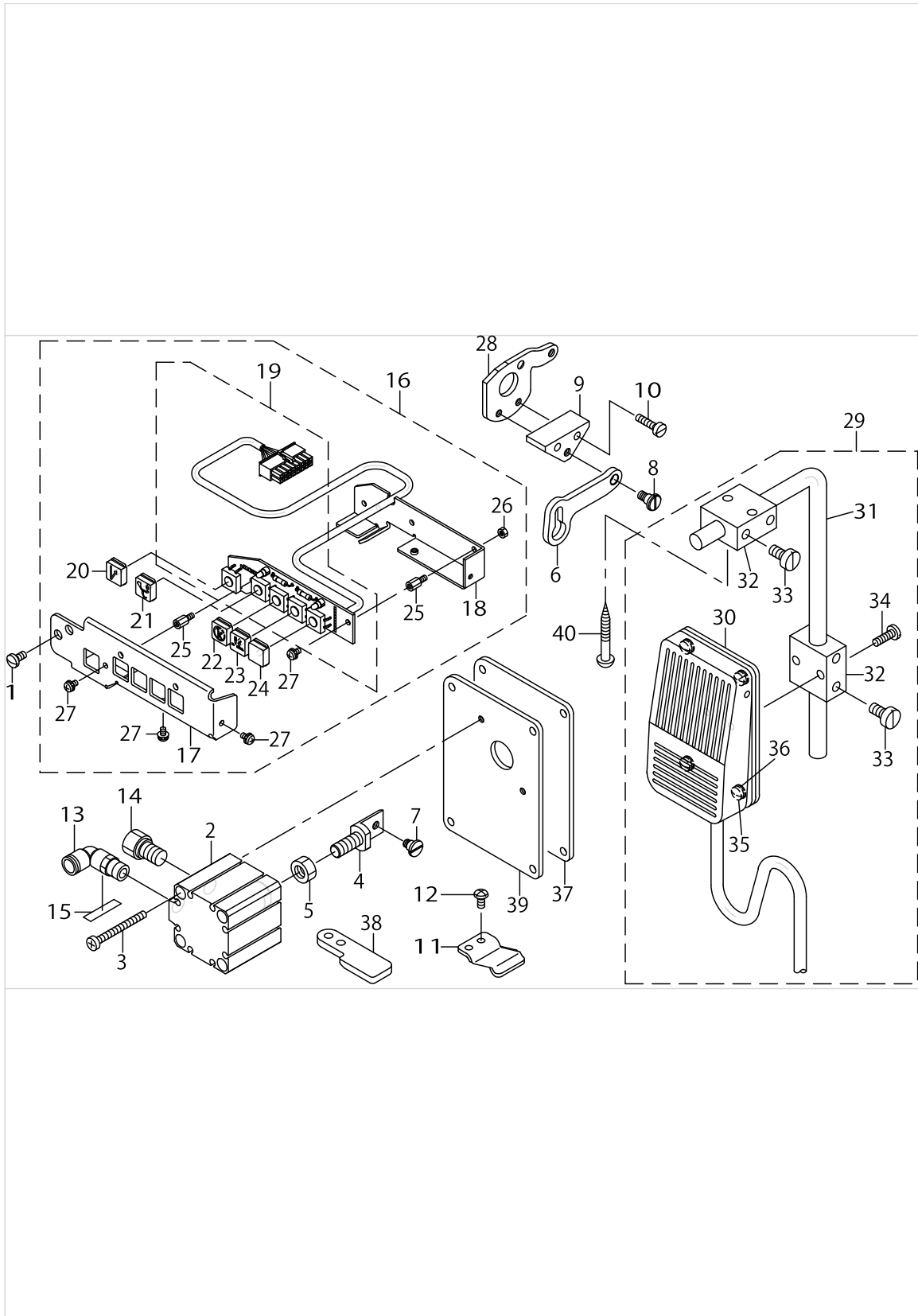
OPTIONAL PARTS (ADDITIONAL SPRING FOR PRESSER BAR) COMPONENTS



OPTIONAL PARTS (ADDITIONAL SPRING FOR PRESSER BAR) COMPONENTS

| No. | Parts No. | Parts name | Remarks | Level | Cons | Qty |
|-----|-------------|---------------------------|---------|-------|------|-----|
| 1 | 21006507 | ADJUST SCREW B | | | | 1 |
| 2 | NS6110530SP | NUT 11/64-40 | | | | 1 |
| 3 | 21006408 | ADJUST SCREW A | | | | 1 |
| 4 | 40072709 | SPRING SUPPORT SHAFT ASM. | | | | 1 |
| 5 | PS0300242K0 | SPRING PIN 3.0X24 | | * | | 1 |
| 6 | 40072708 | SPRING SUPPORT SHAFT | | * | | 1 |
| 7 | 21006002 | ADJUST SPRING B | | | | 3 |

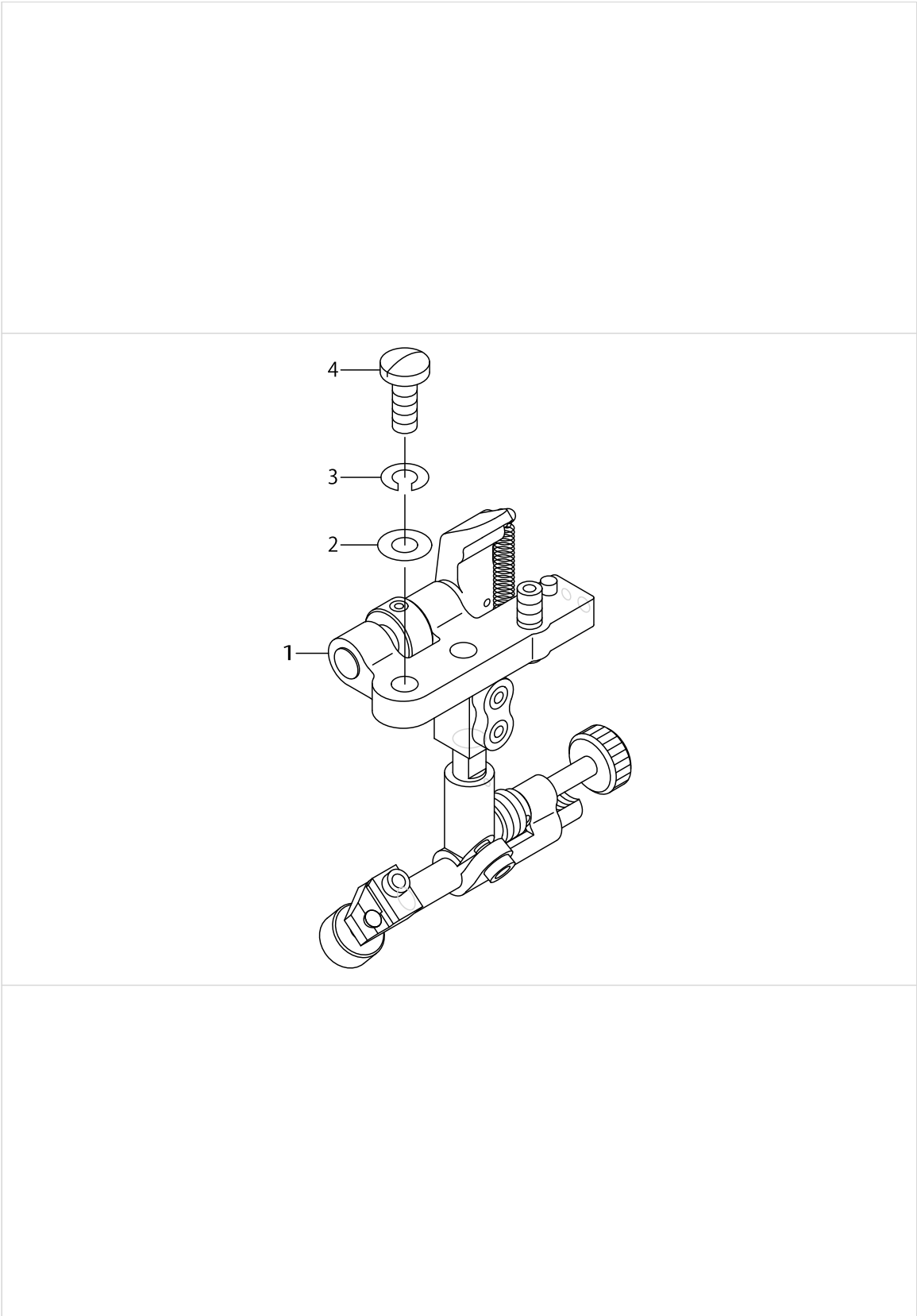
DL MECHANISM COMPONENTS (OPTIONAL PARTS)



DL MECHANISM COMPONENTS (OPTIONAL PARTS)

| No. | Parts No. | Parts name | Remarks | Level | Cons | Qty |
|-----|-------------|------------------------------|---------|-------|------|-----|
| 1 | SS7110840SP | SCREW 11/64-40 L=7.8 | | | | 2 |
| 2 | PA320200100 | JIG CYLINDER | | | | 1 |
| 3 | SM6044002TP | SCREW | | | | 2 |
| 4 | 21438403 | CYLYNDER CONNECTING SCREW | | | | 1 |
| 5 | NM6080721SE | NUT M8 | | | | 1 |
| 6 | 21438502 | MUTUAL VERTICAL LINK | | | | 1 |
| 7 | SD0600403TP | HINGE SCREW | | | | 1 |
| 8 | SD0600454TP | SHOULDER SCREW | | | | 1 |
| 9 | 21438601 | MUTUAL VERTICAL LINK SPASER | | | | 1 |
| 10 | SS6111610SP | SCREW 11/64-40 L=16 | | | | 2 |
| 11 | 21438700 | MUTUAL VERTICAL LINK SUPPORT | | | | 1 |
| 12 | SS4110815SP | SCREW 11/64-40 L=8 | | | | 2 |
| 13 | PJ304065101 | ELBOW UNION 6XPT1/8 | | | | 1 |
| 14 | PX015101000 | MUFFLER | | | | 1 |
| 15 | HX00295000C | WIRE MARK(4) | | | | 1 |
| 16 | 40102062 | 5RANGE SWITCH ASM. | | | | 1 |
| 17 | 21442603 | SWITCH COVER | | * | | 1 |
| 18 | 21442702 | SWITCH CIRCUIT FITTING BASE | | * | | 1 |
| 19 | 40102061 | 5RANGE SWITCH SUB ASM. | | * | | 1 |
| 20 | 21442900 | KEY TOP A | | * | | 1 |
| 21 | 21443007 | KEY TOP B | | * | | 1 |
| 22 | 21443106 | KEY TOP C | | * | | 1 |
| 23 | 21443205 | KEY TOP D | | * | | 1 |
| 24 | 21443809 | KEY TOP F | | * | | 1 |
| 25 | HX00354000N | SPACER | | * | | 4 |
| 26 | NM6030001SC | NUT M3 | | * | | 3 |
| 27 | SL4030631SC | SCREW M3X6 | | * | | 4 |
| 28 | 21438106 | STOPPER PLATE B | | | | 1 |
| 29 | 40025036 | KNEE SWITCH ASM. | | | | 1 |
| 30 | 40025035 | KNEE SWITCH ASM. | | * | | 1 |
| 31 | MAT80231T00 | DRIVING BAR T002 | | * | | 1 |
| 32 | MAT80230T00 | KNEE SWITCH SUPPORT BASE | | * | | 2 |
| 33 | SS6151220SP | SCREW 15/64-28 L=11.5 | | * | | 4 |
| 34 | SS7111410SP | SCREW 11/64-40 L=14 | | * | | 2 |
| 35 | SS7110710SL | SCREW 11/64-40 L=7.0 | | * | | 4 |
| 36 | WP0480856SP | WASHER 4.8X8.4X0.8 | | * | | 4 |
| 37 | 21437306 | WINDOW PLATE E PACKING | | | | 1 |
| 38 | 21438205 | UPPER FEED STOPPER PLATE | | | | 1 |
| 39 | 21437207 | WINDOW PLATE F | | | | 1 |
| 40 | SK3514000SC | WOOD SCREW D=5.1 L=40 | | | | 2 |

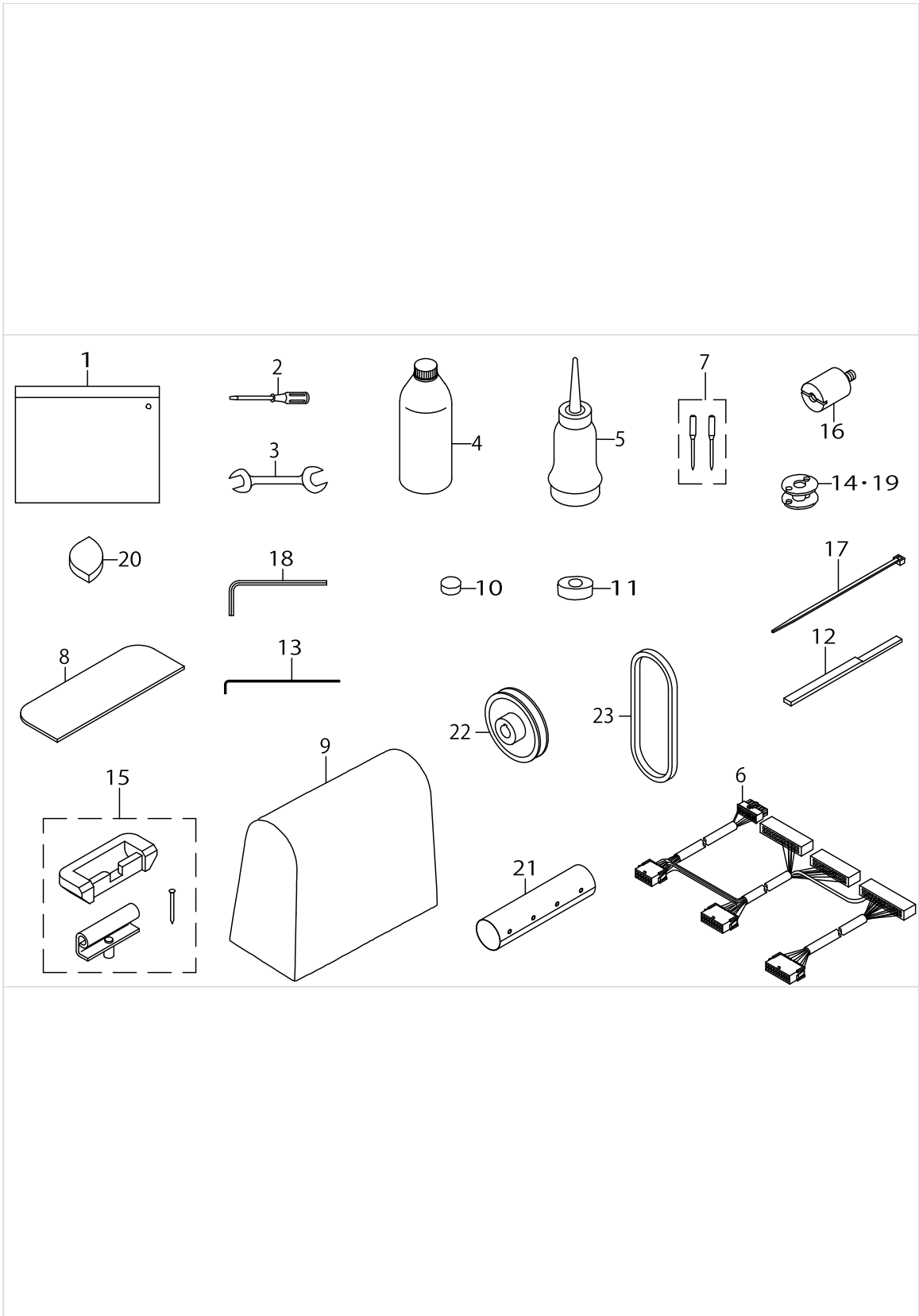
SUSPENSION SQUARE COMPONENTS (OPTIONAL PARTS)



SUSPENSION SQUARE COMPONENTS (OPTIONAL PARTS)

| No. | Parts No. | Parts name | Remarks | Level | Cons | Qty |
|-----|-------------|----------------------------|---------|-------|------|-----|
| 1 | MAH152010A0 | RULER | | | | 1 |
| 2 | WP0621016SD | WASHER 6.2X13X1 | | | | 2 |
| 3 | WS0610002KN | SPRING WASHER 6.1X12.2X1.5 | | | | 2 |
| 4 | SS7151610SP | SCREW 15/64-28 L=16 | | | | 2 |

ACCESSORIES PARTS COMPONENTS



ACCESSORIES PARTS COMPONENTS

| No. | Parts No. | Parts name | Remarks | Level | Cons | Qty |
|-----|-------------|----------------------------|-------------------------------|-------|------|------|
| 1 | 21413158 | ACCESSORY BAG ASM. | | | | 1 |
| 2 | 22933006 | SCREW DRIVER LARGE | | | | 1 |
| 3 | B9113012000 | WRENCH (9X10) | | | | 1 |
| 4 | MDFRX2700C0 | NEW DEFRIX OIL NO.2(700CC) | | | | 1 |
| 5 | J1067000000 | OILER | | | | 1 |
| 6 | 40101742 | RELAY CORD ASM. | FOR LU-1561N-7 | | | 1 |
| 7 | M13517B1602 | NEEDLE 135X17 #160-2 | | | | 1 |
| 8 | 10742005 | SPACER | | | | 2 |
| 9 | 22933303 | VINYL COVER | | | | 1 |
| 10 | B8206012000 | FELT CUSHION | | | | 4 |
| 11 | B8209012000 | RUBBER CUSHION | | | | 4 |
| 12 | 21390307 | FIXING KNIFE GAUGE | | | | 1 |
| 13 | 10777407 | WRENCH 2.5MM | | | | 1 |
| 14 | 21334800 | ALUMINUM BOBBIN WITH KNURL | COMPLETE SET DELIVERY ONLY | | | 1 |
| 15 | 21413257 | RUBBER HINGE ASM. | | | | 1 |
| 16 | 40101368 | PANEL STUD | FOR LU-1561N-7 | | | 2 |
| 17 | EA9500B0100 | CABLE BAND | FOR LU-1561N-7 | | | 3 |
| 18 | B9102057000 | WRENCH (3/32) | | | | 1 |
| 19 | B9117563000 | BOBBIN | FOR LU-1561N | | | 2 |
| 20 | B8207012000 | CUSHION (A) | | | | 4 |
| 21 | 40102736 | BUTTON TUBE | FOR LU-1561N-7 | | | 0.35 |
| 22 | MTSP00900B0 | MOTOR PULLEY ASM. P.C.D 90 | FOR LU-1561N-7 | | | 1 |
| 23 | MTJVH00430A | V BELT 43INCH | FOR LU-1561N-7 | | | 1 |

TABLE OF EXCHANGING GAUGE PARTS

| Needle width 針幅 | Needle clamp asm. 針止め (組) | | Needle rod thread rack 針棒糸かけ | | Feed dog 送り歯 | | Presser foot asm. 押え足 (組) | | Finger guard 指ガード | |
|--------------------|------------------------------|-----------|---------------------------------|-----------|-----------------|-----------|------------------------------|-----------|----------------------|-----------|
| | mm | Ref.No | Parts No. | Ref.No | Parts No. | Ref.No | Parts No. | Ref.No | Parts No. | Ref.No |
| 6 | 1 | 107-77654 | 5 | 107-79007 | 7 | 107-80104 | 11 | 107-81656 | 15 | 107-86903 |
| 8 | 2 | 107-77753 | 5 | 107-79007 | 8 | 107-80203 | 12 | 107-81755 | 15 | 107-86903 |
| 10 | 3 | 107-77852 | 5 | 107-79007 | 9 | 107-80302 | 13 | 107-81854 | 16 | 107-87000 |
| 12 | 4 | 107-77951 | 6 | 107-79106 | 10 | 107-80401 | 14 | 107-81953 | 16 | 107-87000 |

| Needle width 針幅 | Waking foot asm. 送り足 (組) | | Throat plate 針板 | | Sliding plate (left) 滑り板 (左) | | Sliding plate (right) 滑り板 (右) | |
|--------------------|-----------------------------|-----------|--------------------|-----------|------------------------------------|-----------|-------------------------------------|-----------|
| | mm | Ref.No | Parts No. | Ref.No | Parts No. | Ref.No | Parts No. | Ref.No |
| 6 | 17 | 107-83157 | 21 | 214-52909 | 25 | 107-86309 | 27 | 107-01803 |
| 8 | 18 | 107-83256 | 22 | 214-53006 | 25 | 107-86309 | 27 | 107-01803 |
| 10 | 19 | 107-83355 | 23 | 214-53105 | 26 | 107-86408 | 28 | 107-86002 |
| 12 | 20 | 107-83454 | 24 | 214-53204 | 26 | 107-86408 | 28 | 107-86002 |

TABLE OF EXCHANGING GAUGE PARTS

| No. | Parts No. | Parts name | Remarks | Level | Cons | Qty |
|-----|-------------|-------------------------------|---------|-------|------|-----|
| 1 | 10777654 | NEEDLE CLAMP ASM. 6MM | | | | 1 |
| 2 | 10777753 | NEEDLE CLAMP ASM. 8MM | | | | 1 |
| 3 | 10777852 | NEEDLE CLAMP ASM.10MM | | | | 1 |
| 4 | 10777951 | NEEDLE CLAMP ASM. 12MM | | | | 1 |
| 5 | 10779007 | NEEDLE BAR THREAD GUIDE 4-8MM | | | | 1 |
| 6 | 10779106 | NEEDLE BAR THREAD GUIDE PLATE | | | | 1 |
| 7 | 10780104 | FEED DOG (6MM) | | | | 1 |
| 8 | 10780203 | FEED DOG (8MM) | | | | 1 |
| 9 | 10780302 | FEED DOG | | | | 1 |
| 10 | 10780401 | FEED DOG (12MM) | | | | 1 |
| 11 | 10781656 | PRESSER FOOT ASM. 6MM | | | | 1 |
| 12 | 10781755 | PRESSER FOOT ASM. 8MM | | | | 1 |
| 13 | 10781854 | PRESSER FOOT ASM. | | | | 1 |
| 14 | 10781953 | PRESSER FOOT ASM. 12MM | | | | 1 |
| 15 | 10786903 | FINGER GUARD COVER (4-8MM) | | | | 1 |
| 16 | 10787000 | FINGER GUARD COVER (10-12MM) | | | | 1 |
| 17 | 10783157 | FEED FOOT ASM. 6MM | | | | 1 |
| 18 | 10783256 | FEED FOOT ASM. 8MM | | | | 1 |
| 19 | 10783355 | FEED FOOT ASM. 10MM | | | | 1 |
| 20 | 10783454 | FEED FOOT ASM. 12MM | | | | 1 |
| 21 | 21452909 | THROAT PLATE (6MM) | | | | 1 |
| 22 | 21453006 | THROAT PLATE (8MM) | | | | 1 |
| 23 | 21453105 | THROAT PLATE (10MM) | | | | 1 |
| 24 | 21453204 | THROAT PLATE (12MM) | | | | 1 |
| 25 | 10786309 | SLIDE PLATE LEFT 4-8MM | | | | 1 |
| 26 | 10786408 | SLIDE PLATE LEFT 10-18MM | | | | 1 |
| 27 | 10701803 | SLIDE PLATE RIGHT | | | | 1 |
| 28 | 10786002 | SLIDE PLATERIGHT 10-18MM | | | | 1 |
| 29 | SS8080410TP | SCREW 1/8-44 L=3.5 | | | | 1 |
| 30 | SS6060440TP | SCREW 3/32-56 L=3.5 | | | | 1 |

LIST FOR INFORMATION OF CHANGE

As to the place changed, refer to the corresponding Rev.No.
 When previous parts (Obsolated part) and new parts (Added parts) are not interchangeable with each other:
 In this case, even obsolated parts (D.) can be ordered with the obsolated part number, so select the parts with changed dates and place your orders.

変更箇所は、該当Rev.No.版をご参照ください。
 部品の互換性がない変更の場合は、削除された品番でも、ご注文できます。

29359403
 No.1339-08 Rev.No.

*A: Added parts 追加部品 / D: Obsolated parts 削除部品 / E: Erratum 訂正

| * | Rev. No. | Page 頁 | Ref. No. | Parts No. 品番 | * | Rev. No. | Page 頁 | Ref. No. | Parts No. 品番 |
|---|----------|--------|----------|--------------|---|----------|--------|----------|--------------|
| D | 07 | 2 | 3 | 400-19114 | A | 08 | 2 | 3 | 401-52631 |
| | | | | | A | 08 | 4 | 16 | 401-97297 |
| D | 07 | 4 | 19 | 213-36557 | | | | | |
| D | 07 | 4 | 20 | 213-36508 | A | 08 | 4 | 21 | 401-97296 |
| D | 07 | 8 | 31 | 213-40104 | | | | | |
| D | 07 | 8 | 96 | 228-14909 | | | | | |
| D | 07 | 10 | 53 | 213-36706 | | | | | |
| D | 07 | 10 | 64 | 213-87402 | | | | | |
| | | | | | A | 08 | 12 | 48 | 401-62860 |
| | | | | | | | | | |
| | | | | | | | | | |
| | | | | | | | | | |
| | | | | | | | | | |
| | | | | | | | | | |
| | | | | | | | | | |
| | | | | | | | | | |
| | | | | | | | | | |
| | | | | | | | | | |
| | | | | | | | | | |
| | | | | | | | | | |
| | | | | | | | | | |
| | | | | | | | | | |
| | | | | | | | | | |
| | | | | | | | | | |
| | | | | | | | | | |
| | | | | | | | | | |
| | | | | | | | | | |
| | | | | | | | | | |
| | | | | | | | | | |
| | | | | | | | | | |
| | | | | | | | | | |
| | | | | | | | | | |
| | | | | | | | | | |
| | | | | | | | | | |
| | | | | | | | | | |
| | | | | | | | | | |
| | | | | | | | | | |

HOW TO MAKE USE OF THIS PARTS LIST

1.Explanation of codes

1)"*"mark.....means this part is changed from the previous parts book.

As to the details of the change, refer to the "List for information of change".

2)"#01".....refer to "Note" explanation at bottom of page.

2.Codes on the "Qty" column

• Each numeral indicates the number of parts required.

• "0.1" and "2.5" indicate the length (in meters) of the respective parts.

3.Parentheses mean that the corresponding part is a subpart that constructs an assembly part.

4.Dotted lines on the Figures indicate assembly parts.

1."注記"欄の記号説明

1) "*"印.....前回のパーツブックに比較して今回変更された部品を意味します。

変更内容は、"変更情報リスト"を参照してください。

2) "#01".....ページ下の"注記"の説明を参照してください。

2.数量欄の数字は、個数を表し、0.1、2.5等の数値は、長さ（単位メートル）を表します。

3.数量欄の（ ）は、組部品を構成している子部品であることを意味します。

4.イラストページの-----枠は、組構成であることを意味します。

NUMERICAL INDEX OF PARTS

| PART NO | PAGE | REF NO. | PART NO | PAGE | REF NO. | PART NO | PAGE | REF NO. |
|----------|------|---------|----------|------|---------|----------|------|---------|
| 10109700 | 22 | 55~61 | 10774354 | 14 | 57 | 21331608 | 2 | 18 |
| 10109809 | 22 | 55~61 | 10774404 | 14 | 59 | 21331756 | 2 | 8 |
| 10109908 | 20 | 25 | 10777407 | 64 | 13 | 21331806 | 2 | 12 |
| 10110906 | 22 | 55~61 | 10777654 | 66 | 1 | 21332002 | 2 | 13 |
| 10111003 | 22 | 55~61 | 10777753 | 66 | 2 | 21332101 | 4 | 55 |
| 10111102 | 20 | 20·21 | 10777803 | 46 | 13 | 21332200 | 4 | 51 |
| 10111201 | 22 | 55~61 | 10777852 | 46 | 12 | 21332309 | 2 | 16 |
| 10112407 | 20 | 26 | 10777852 | 66 | 3 | 21332507 | 6 | 12 |
| 10112506 | 22 | 55~61 | 10777951 | 66 | 4 | 21332705 | 6 | 1 |
| 10112605 | 22 | 55~61 | 10779007 | 46 | 15 | 21333000 | 6 | 2 |
| 10112704 | 20 | 20·21 | 10779007 | 66 | 5 | 21333109 | 6 | 17 |
| 10116804 | 24 | 27 | 10779106 | 66 | 6 | 21333406 | 8 | 58 |
| 10124204 | 30 | 10 | 10780104 | 66 | 7 | 21333703 | 8 | 74 |
| 10124303 | 30 | 14 | 10780203 | 66 | 8 | 21333901 | 8 | 60·74 |
| 10124501 | 30 | 3 | 10780302 | 46 | 10 | 21334008 | 8 | 61 |
| 10126803 | 44 | 59 | 10780302 | 66 | 9 | 21334701 | 20 | 24 |
| 10201200 | 4 | 58 | 10780401 | 66 | 10 | 21334800 | 20 | 34·35 |
| 10205201 | 16 | 20 | 10781656 | 66 | 11 | 21334800 | 64 | 14·19 |
| 10321107 | 30 | 34~36 | 10781755 | 66 | 12 | 21334909 | 20 | 5·6 |
| 10502300 | 36 | 21 | 10781854 | 46 | 8 | 21335104 | 20 | 1·3 |
| 10509701 | 12 | 22 | 10781854 | 66 | 13 | 21335500 | 20 | 10·11 |
| 10604809 | 8 | 71 | 10781953 | 66 | 14 | 21335708 | 20 | 12·13 |
| 10618304 | 36 | 8 | 10783157 | 66 | 17 | 21335807 | 20 | 16·17 |
| 10622009 | 4 | 67 | 10783256 | 66 | 18 | 21336300 | 18 | 56 |
| 10701654 | 46 | 1 | 10783355 | 46 | 6 | 21336607 | 18 | 49 |
| 10701803 | 66 | 27 | 10783355 | 66 | 19 | 21336656 | 18 | 48 |
| 10704807 | 36 | 19 | 10783454 | 66 | 20 | 21336805 | 16 | 41 |
| 10713501 | 14 | 75 | 10786002 | 46 | 4 | 21337209 | 16 | 38 |
| 10713808 | 14 | 83 | 10786002 | 66 | 28 | 21337308 | 16 | 33 |
| 10714202 | 14 | 70 | 10786309 | 66 | 25 | 21337407 | 16 | 26 |
| 10714608 | 14 | 85 | 10786408 | 46 | 5 | 21337506 | 16 | 23 |
| 10715100 | 14 | 60 | 10786408 | 66 | 26 | 21337605 | 16 | 35 |
| 10715308 | 14 | 66 | 10786903 | 66 | 15 | 21337704 | 16 | 24 |
| 10715704 | 14 | 62 | 10787000 | 66 | 16 | 21337803 | 14 | 92 |
| 10716504 | 14 | 76 | 11072204 | 30 | 19 | 21337803 | 16 | 57 |
| 10718203 | 14 | 69 | 11072402 | 30 | 13 | 21337803 | 18 | 57 |
| 10727204 | 50 | 25 | 13765607 | 42 | 42 | 21337902 | 16 | 31 |
| 10727303 | 50 | 24 | 14512503 | 36 | 17 | 21338306 | 16 | 29 |
| 10739209 | 50 | 36 | 17912106 | 2 | 26 | 21338603 | 10 | 18 |
| 10742005 | 64 | 8 | 21006002 | 58 | 7 | 21338801 | 10 | 20 |
| 10748101 | 50 | 11 | 21006408 | 58 | 3 | 21338900 | 10 | 22 |
| 10753002 | 50 | 26 | 21006507 | 58 | 1 | 21339007 | 10 | 28 |
| 10755205 | 50 | 15 | 21048707 | 14 | 88 | 21339056 | 10 | 27 |
| 10755254 | 50 | 14 | 21331202 | 2 | 11 | 21339106 | 6 | 7 |
| 10774305 | 14 | 58 | 21331301 | 2 | 4 | 21339304 | 10 | 25 |

NUMERICAL INDEX OF PARTS

| PART NO | PAGE | REF NO. | PART NO | PAGE | REF NO. | PART NO | PAGE | REF NO. |
|----------|------|---------|----------|------|---------|----------|------|---------|
| 21339502 | 8 | 77 | 21346804 | 50 | 28 | 21356704 | 56 | 9 |
| 21339601 | 14 | 71 | 21346903 | 50 | 32 | 21356803 | 38 | 7 |
| 21339700 | 14 | 73 | 21347000 | 42 | 14 | 21356803 | 56 | 7 |
| 21339809 | 14 | 79 | 21347109 | 12 | 13 | 21357959 | 36 | 3 |
| 21340005 | 14 | 87 | 21347208 | 42 | 16 | 21357967 | 36 | 1 |
| 21340302 | 14 | 90 | 21347406 | 10 | 30 | 21358205 | 36 | 9 |
| 21340401 | 12 | 1 | 21348206 | 30 | 34~36 | 21361407 | 2 | 44 |
| 21340500 | 12 | 2 | 21348503 | 28 | 7 | 21361704 | 20 | 36 |
| 21340708 | 42 | 11 | 21348503 | 52 | 7 | 21362108 | 20 | 2·4 |
| 21340906 | 14 | 51 | 21348602 | 28 | 5 | 21363106 | 32 | 3 |
| 21341508 | 14 | 68 | 21348602 | 52 | 5 | 21363601 | 24 | 41 |
| 21341607 | 14 | 65 | 21348701 | 28 | 9 | 21364104 | 16 | 10 |
| 21342506 | 34 | 4 | 21348701 | 52 | 9 | 21378104 | 20 | 42 |
| 21342555 | 34 | 3 | 21348909 | 2 | 41 | 21378153 | 20 | 41 |
| 21342605 | 34 | 5 | 21348958 | 52 | 1 | 21378302 | 12 | 5 |
| 21342704 | 34 | 9 | 21349105 | 28 | 1 | 21378302 | 16 | 13 |
| 21342803 | 34 | 13 | 21349105 | 52 | 41 | 21378401 | 20 | 22·23 |
| 21342902 | 34 | 17 | 21351002 | 50 | 19 | 21378500 | 20 | 22·23 |
| 21343009 | 34 | 11 | 21351101 | 50 | 18 | 21378708 | 36 | 29 |
| 21343108 | 34 | 32 | 21351150 | 50 | 17 | 21378906 | 18 | 54 |
| 21343157 | 34 | 30 | 21351200 | 50 | 20 | 21379003 | 50 | 6 |
| 21343207 | 34 | 1 | 21351457 | 50 | 1 | 21387055 | 20 | 32·33 |
| 21343355 | 34 | 21 | 21353008 | 6 | 22 | 21387402 | 6 | 24 |
| 21343405 | 34 | 19 | 21353701 | 24 | 24 | 21387501 | 6 | 31 |
| 21343702 | 34 | 6 | 21353750 | 24 | 23 | 21387600 | 6 | 34 |
| 21343801 | 34 | 7 | 21354006 | 24 | 26 | 21387709 | 6 | 33 |
| 21345103 | 42 | 34 | 21354105 | 24 | 37 | 21387808 | 6 | 38 |
| 21345202 | 42 | 36 | 21354204 | 24 | 42 | 21387907 | 8 | 69 |
| 21345301 | 50 | 27 | 21354501 | 24 | 21 | 21388004 | 18 | 62 |
| 21345350 | 50 | 23 | 21354600 | 26 | 55 | 21388400 | 10 | 16 |
| 21345509 | 50 | 34 | 21354709 | 26 | 58 | 21388509 | 38 | 6 |
| 21345608 | 42 | 25 | 21354907 | 26 | 63 | 21388608 | 28 | 27 |
| 21345707 | 42 | 2 | 21355102 | 26 | 54 | 21388608 | 52 | 27 |
| 21345756 | 42 | 1 | 21355706 | 36 | 24 | 21389200 | 24 | 1 |
| 21345806 | 42 | 3 | 21355755 | 36 | 23 | 21389309 | 24 | 12 |
| 21345905 | 42 | 4 | 21355904 | 2 | 6 | 21389408 | 24 | 13 |
| 21346002 | 42 | 18 | 21356001 | 36 | 6 | 21389507 | 24 | 5 |
| 21346101 | 44 | 53 | 21356308 | 38 | 11 | 21389556 | 24 | 4 |
| 21346200 | 44 | 54 | 21356308 | 56 | 11 | 21389606 | 24 | 11 |
| 21346309 | 42 | 6 | 21356407 | 38 | 12 | 21389655 | 24 | 10 |
| 21346358 | 42 | 5 | 21356407 | 56 | 12 | 21389705 | 24 | 45 |
| 21346408 | 42 | 8 | 21356506 | 38 | 3 | 21389804 | 24 | 47 |
| 21346507 | 42 | 7 | 21356506 | 56 | 3 | 21389911 | 26 | 51 |
| 21346606 | 44 | 56 | 21356605 | 56 | 6 | 21390000 | 20 | 1·3 |
| 21346705 | 50 | 33 | 21356704 | 38 | 9 | 21390109 | 20 | 2·4 |

NUMERICAL INDEX OF PARTS

| PART NO | PAGE | REF NO. | PART NO | PAGE | REF NO. | PART NO | PAGE | REF NO. |
|----------|------|---------|----------|------|---------|----------|------|---------|
| 21390208 | 26 | 65 | 21453105 | 46 | 2 | 22934509 | 34 | 33 |
| 21390307 | 64 | 12 | 21453105 | 66 | 23 | 22934707 | 34 | 29 |
| 21390554 | 30 | 4 | 21453204 | 66 | 24 | 22945505 | 36 | 27 |
| 21390562 | 30 | 1 | 22537658 | 36 | 2 | 22945703 | 36 | 30 |
| 21402300 | 6 | 27 | 22538151 | 36 | 4 | 22951552 | 2 | 47 |
| 21405204 | 10 | 2 | 22538706 | 36 | 32 | 22952501 | 52 | 21 |
| 21406103 | 14 | 48 | 22602601 | 4 | 62 | 23002009 | 10 | 1 |
| 21406509 | 12 | 28 | 22604300 | 6 | 25 | 23006406 | 30 | 34~36 |
| 21406608 | 14 | 49 | 22606206 | 8 | 57 | 23630007 | 42 | 52 |
| 21408505 | 2 | 25 | 22609309 | 16 | 15 | 23630007 | 44 | 52 |
| 21408554 | 2 | 24 | 22609408 | 16 | 12 | 23636202 | 36 | 5 |
| 21413158 | 64 | 1 | 22611701 | 22 | 54 | 26225201 | 12 | 29 |
| 21413257 | 64 | 15 | 22611909 | 22 | 52 | 26226209 | 28 | 19 |
| 21427000 | 8 | 63 | 22617609 | 30 | 25 | 26226209 | 52 | 19 |
| 21427059 | 8 | 62 | 22618904 | 30 | 27 | 26910059 | 48 | 2 |
| 21430400 | 16 | 42 | 22619100 | 4 | 57 | 26910158 | 48 | 1 |
| 21437207 | 60 | 39 | 22620504 | 44 | 61 | 40009103 | 18 | 50 |
| 21437306 | 60 | 37 | 22651202 | 2 | 30 | 40016148 | 8 | 56 |
| 21437900 | 12 | 36 | 22656003 | 28 | 17 | 40016798 | 2 | 1 |
| 21438007 | 10 | 14 | 22656003 | 52 | 17 | 40018339 | 12 | 16 |
| 21438106 | 60 | 28 | 22656102 | 28 | 15 | 40018340 | 12 | 38 |
| 21438205 | 60 | 38 | 22656102 | 52 | 15 | 40018341 | 12 | 23 |
| 21438403 | 60 | 4 | 22814909 | 10 | 6 | 40019926 | 16 | 36 |
| 21438502 | 60 | 6 | 22863203 | 34 | 24 | 40023289 | 28 | 20 |
| 21438601 | 60 | 9 | 22863252 | 34 | 23 | 40023289 | 52 | 20 |
| 21438700 | 60 | 11 | 22877609 | 4 | 52 | 40024852 | 14 | 94 |
| 21441100 | 30 | 5 | 22901805 | 4 | 50 | 40024855 | 8 | 70 |
| 21441209 | 32 | 7 | 22902506 | 28 | 21 | 40025035 | 60 | 30 |
| 21441308 | 32 | 8 | 22904106 | 12 | 7 | 40025036 | 60 | 29 |
| 21441407 | 32 | 1 | 22904106 | 16 | 18 | 40025299 | 50 | 5 |
| 21442603 | 60 | 17 | 22904155 | 12 | 6 | 40025300 | 50 | 8 |
| 21442702 | 60 | 18 | 22904155 | 16 | 17 | 40027746 | 10 | 26 |
| 21442900 | 60 | 20 | 22907109 | 14 | 52 | 40033026 | 12 | 12 |
| 21443007 | 60 | 21 | 22907604 | 12 | 43 | 40033027 | 12 | 11 |
| 21443106 | 60 | 22 | 22911804 | 16 | 44 | 40033029 | 12 | 19 |
| 21443205 | 60 | 23 | 22912000 | 16 | 46 | 40033033 | 12 | 24 |
| 21443809 | 60 | 24 | 22912109 | 16 | 47 | 40033034 | 12 | 41 |
| 21451406 | 10 | 7 | 22917009 | 24 | 19 | 40033035 | 12 | 40 |
| 21451505 | 12 | 39 | 22932404 | 34 | 28 | 40038692 | 8 | 75 |
| 21451752 | 12 | 46 | 22932453 | 34 | 27 | 40038700 | 8 | 51 |
| 21451802 | 16 | 2 | 22933006 | 64 | 2 | 40038702 | 8 | 52 |
| 21451851 | 16 | 1 | 22933303 | 64 | 9 | 40038722 | 40 | 14 |
| 21451901 | 16 | 3 | 22934202 | 34 | 35 | 40038722 | 52 | 44 |
| 21452909 | 66 | 21 | 22934301 | 34 | 36 | 40038722 | 56 | 30 |
| 21453006 | 66 | 22 | 22934400 | 34 | 34 | 40038723 | 40 | 16 |

NUMERICAL INDEX OF PARTS

| PART NO | PAGE | REF NO. | PART NO | PAGE | REF NO. | PART NO | PAGE | REF NO. |
|----------|------|---------|--------------|------|---------|--------------|------|---------|
| 40038723 | 52 | 46 | 40119279 | 24 | 28 | B1824563000 | 20 | 16-17 |
| 40038723 | 56 | 32 | 40121822 | 30 | 15 | B18305630A0 | 20 | 32-33 |
| 40038904 | 56 | 19 | 40143083 | 6 | 26 | B1834512000A | 20 | 30 |
| 40039326 | 12 | 4 | 40152631 | 2 | 3 | B1905520000 | 6 | 3 |
| 40042611 | 22 | 45-62 | 40162860 | 22 | 48 | B1906051000 | 6 | 4 |
| 40051503 | 42 | 23 | 40197296 | 6 | 20 | B1907057000 | 6 | 5 |
| 40056364 | 28 | 24 | 40197297 | 6 | 15 | B3120125000 | 30 | 18 |
| 40056364 | 52 | 24 | A407855000A | 44 | 64 | B3125012000 | 30 | 32 |
| 40056365 | 28 | 23 | B1111563000 | 2 | 34 | B3125527000 | 30 | 31 |
| 40056365 | 52 | 23 | B1132521000 | 2 | 27 | B3127051000 | 30 | 8 |
| 40056366 | 28 | 22 | B1148555000 | 36 | 11 | B3127527000 | 30 | 7 |
| 40056366 | 52 | 22 | B1210051000 | 6 | 10 | B3128051000 | 30 | 2 |
| 40062388 | 32 | 5 | B1214019000 | 6 | 32 | B3128527000 | 30 | 24 |
| 40064409 | 42 | 38 | B1214038000 | 42 | 44 | B3129053000 | 30 | 17 |
| 40072708 | 58 | 6 | B1308055000 | 6 | 35 | B3132051000 | 30 | 16 |
| 40072709 | 58 | 4 | B1310055000 | 6 | 37 | B31375270A0 | 30 | 21 |
| 40075553 | 14 | 81 | B1312563000A | 6 | 44-45 | B3138512000 | 2 | 32 |
| 40101351 | 24 | 18 | B1313055000 | 8 | 48 | B3138527000 | 30 | 28 |
| 40101368 | 64 | 16 | B1314055000 | 6 | 39 | B3139527000 | 30 | 23 |
| 40101742 | 64 | 6 | B1410771000 | 10 | 24 | B3141527000 | 30 | 30 |
| 40102061 | 60 | 19 | B1411057000 | 10 | 9 | B3142527000 | 30 | 22 |
| 40102062 | 60 | 16 | B14110570A0 | 10 | 8 | B3143527000 | 30 | 20 |
| 40102063 | 40 | 3 | B1412051000 | 10 | 11 | B3205210000 | 36 | 10 |
| 40102064 | 40 | 22 | B1412051000 | 42 | 19 | B3214047000 | 30 | 11 |
| 40102065 | 40 | 1 | B1414232000 | 10 | 23 | B3416552000 | 14 | 77 |
| 40102066 | 40 | 21 | B1414555000 | 12 | 21 | B3428521000 | 34 | 25 |
| 40102736 | 64 | 21 | B1437051000 | 10 | 4 | B3520586000 | 42 | 24 |
| 40103003 | 56 | 18 | B1462053000 | 12 | 47 | B3524552000 | 42 | 45 |
| 40104367 | 6 | 44-45 | B14670530A0 | 12 | 25 | B3534155000 | 42 | 43 |
| 40104368 | 24 | 31 | B1468053000 | 12 | 26 | B3538112000 | 42 | 40 |
| 40104369 | 24 | 29 | B1502246000 | 12 | 44 | B8112220000 | 50 | 7 |
| 40105335 | 52 | 32 | B1515512000 | 26 | 50 | B8206012000 | 64 | 10 |
| 40105811 | 52 | 39 | B152652700G | 14 | 63 | B8207012000 | 64 | 20 |
| 40105811 | 56 | 28 | B152989000CA | 36 | 7 | B8209012000 | 64 | 11 |
| 40107488 | 52 | 31 | B1604012000A | 16 | 7 | B8228125000 | 50 | 35 |
| 40107618 | 40 | 17 | B1610512000 | 16 | 39 | B9102057000 | 64 | 18 |
| 40107618 | 52 | 47 | B1639051000 | 8 | 47 | B9113012000 | 64 | 3 |
| 40107618 | 56 | 33 | B18025120A0A | 20 | 37 | B9117563000 | 20 | 34-35 |
| 40107949 | 14 | 84 | B18035150A0 | 20 | 39 | B9117563000 | 64 | 14-19 |
| 40107950 | 4 | 54 | B1816051000 | 22 | 50 | BT0600401EB | 40 | 30 |
| 40108542 | 14 | 61 | B1817051000 | 20 | 45-62 | BT0600401EB | 52 | 49 |
| 40108674 | 2 | 20 | B1820563000 | 20 | 5-6 | BT0600401EB | 54 | 49 |
| 40108675 | 2 | 22 | B1821051000 | 20 | 7 | BT0600401EB | 56 | 35 |
| 40113092 | 36 | 28 | B1822563000 | 20 | 10-11 | BT0600402EA | 42 | 20 |
| 40113224 | 6 | 36 | B1823051000 | 20 | 12-13 | CM300200001 | 4 | 49 |

NUMERICAL INDEX OF PARTS

| PART NO | PAGE | REF NO. | PART NO | PAGE | REF NO. | PART NO | PAGE | REF NO. |
|--------------|------|---------|-------------|------|---------|-------------|------|---------|
| CM300200001 | 38 | 13 | GAKA1503000 | 40 | 25 | MTSP00900B0 | 64 | 22 |
| CM300200001 | 56 | 13 | GAKA1503000 | 52 | 36 | NM6030001SC | 50 | 10 |
| CM301300001 | 2 | 40 | GAKA1503000 | 56 | 23 | NM6030001SC | 60 | 26 |
| CQ202000000 | 6 | 18 | GAKA2302B00 | 40 | 4 | NM6040001SN | 32 | 10 |
| CQ202000000 | 10 | 32 | GAKA2302C00 | 40 | 23 | NM6050001SD | 34 | 16 |
| CQ202000000 | 16 | 51 | GTS01037000 | 28 | 25 | NM6060003SC | 28 | 6 |
| CQ202000000 | 18 | 51 | GTS01037000 | 52 | 25 | NM6060003SC | 52 | 6 |
| CQ202000000 | 20 | 15 | HK034610020 | 56 | 21 | NM6080001SE | 38 | 4 |
| CQ202000000 | 42 | 60 | HK034610120 | 26 | 61 | NM6080001SE | 56 | 4 |
| CQ202000000 | 44 | 60 | HK034610140 | 52 | 29 | NM6080721SE | 60 | 5 |
| CQ252000000 | 14 | 82 | HK034610180 | 40 | 27 | NM7040062SB | 32 | 11 |
| CQ252000000 | 42 | 31 | HK034620020 | 52 | 34 | NM9050001SC | 50 | 30 |
| CQ3000000F0 | 12 | 15 | HK03463000A | 52 | 35 | NS6110310SP | 30 | 9 |
| CQ303000000 | 6 | 8 | HK03464000A | 26 | 60 | NS6110310SP | 36 | 26 |
| CQ505000000 | 6 | 11 | HK03464000A | 28 | 28 | NS6110420SP | 20 | 31 |
| CS0700811SH | 24 | 34 | HK03464000A | 40 | 26 | NS6110530SP | 12 | 35 |
| CS070081BSH | 24 | 33 | HK03464000A | 52 | 28 | NS6110530SP | 58 | 2 |
| CS1201010SH | 18 | 58 | HK03464000A | 56 | 22 | NS6150430SP | 14 | 55 |
| CS1201011SH | 18 | 59 | HK03464000B | 32 | 6 | NS6150430SP | 28 | 14 |
| D1455055B00 | 12 | 33 | HX00123000A | 2 | 36 | NS6150430SP | 52 | 14 |
| D1456055B00 | 12 | 32 | HX00123000A | 8 | 72 | NS6680320SP | 16 | 22 |
| D2112555B00 | 2 | 10 | HX00123000A | 32 | 13 | PA320150200 | 28 | 2 |
| D2427555B00B | 24 | 32 | HX002950000 | 28 | 31 | PA320150200 | 52 | 2 |
| D2430555B00 | 24 | 30 | HX002950000 | 40 | 31 | PA320200100 | 60 | 2 |
| D3162555B00 | 36 | 25 | HX002950000 | 52 | 38 | PA400150100 | 38 | 1 |
| D3168555H0B | 30 | 12 | HX002950000 | 56 | 15 | PA400150100 | 56 | 1 |
| D8232241E00 | 50 | 21 | HX00295000A | 38 | 15 | PF0552170A0 | 40 | 15 |
| EA9500B0000 | 12 | 14 | HX00295000A | 40 | 32 | PF0552170A0 | 52 | 45 |
| EA9500B0000 | 42 | 9 | HX00295000A | 56 | 26 | PF0552170A0 | 56 | 31 |
| EA9500B0100 | 4 | 63 | HX00295000B | 38 | 16 | PJ301065104 | 28 | 11 |
| EA9500B0100 | 10 | 31 | HX00295000B | 40 | 28 | PJ301065104 | 52 | 11 |
| EA9500B0100 | 14 | 54 | HX00295000B | 56 | 27 | PJ304065101 | 38 | 10 |
| EA9500B0100 | 26 | 62 | HX00295000C | 40 | 29 | PJ304065101 | 56 | 10 |
| EA9500B0100 | 28 | 26 | HX00295000C | 60 | 15 | PJ304065101 | 60 | 13 |
| EA9500B0100 | 42 | 63 | HX00354000N | 60 | 25 | PS0150065KP | 46 | 17 |
| EA9500B0100 | 44 | 63 | J1067000000 | 64 | 5 | PS0300242K0 | 58 | 5 |
| EA9500B0100 | 52 | 26 | M13517B1600 | 10 | 13 | PS0500202KP | 44 | 58 |
| EA9500B0100 | 56 | 17 | M13517B1602 | 64 | 7 | PS0600502KP | 30 | 37 |
| EA9500B0100 | 64 | 17 | M40071100AA | 8 | 65 | PX015101000 | 28 | 12 |
| GAK29009000 | 40 | 18 | M40071100AB | 8 | 66 | PX015101000 | 52 | 12 |
| GAK29009000 | 54 | 48 | MAH152010A0 | 62 | 1 | PX015101000 | 60 | 14 |
| GAK29009000 | 56 | 34 | MAT80230T00 | 60 | 32 | RC0560711KP | 36 | 12 |
| GAK29010000 | 40 | 24 | MAT80231T00 | 60 | 31 | RE0500000K0 | 6 | 46 |
| GAK29010000 | 52 | 33 | MDFRX2700C0 | 64 | 4 | RE0500000K0 | 14 | 78 |
| GAK29010000 | 56 | 20 | MTJVH00430A | 64 | 23 | RE0500000K0 | 36 | 13 |

NUMERICAL INDEX OF PARTS

| PART NO | PAGE | REF NO. | PART NO | PAGE | REF NO. | PART NO | PAGE | REF NO. |
|-------------|------|---------|-------------|------|---------|-------------|------|---------|
| RE0500711KP | 16 | 8 | SM6030802TP | 24 | 2 | SS4120615SP | 28 | 18 |
| RE0800000K0 | 14 | 89 | SM6040552TP | 46 | 7 | SS4120615SP | 52 | 18 |
| RE0800000K0 | 34 | 10 | SM6040800SP | 36 | 31 | SS4150915SP | 4 | 65 |
| RE0900000K0 | 18 | 61 | SM6040802TP | 26 | 57 | SS4150915SP | 42 | 37 |
| RO092270200 | 16 | 45 | SM6040802TP | 46 | 9 | SS5090610SP | 2 | 21 |
| RO092270200 | 36 | 14 | SM6041202TP | 24 | 16 | SS5110740TP | 50 | 4 |
| SB120000200 | 8 | 54 | SM6044002TP | 60 | 3 | SS6060440TP | 46 | 16 |
| SD0380551SL | 2 | 28 | SM6051002TP | 38 | 8 | SS6060440TP | 66 | 30 |
| SD0470281SP | 30 | 6 | SM6051002TP | 56 | 8 | SS6090520SP | 36 | 16 |
| SD0600403TP | 60 | 7 | SM6051402TP | 14 | 67 | SS6090620SP | 36 | 22 |
| SD0600454TP | 60 | 8 | SM6051602TP | 34 | 8 | SS6090810SP | 20 | 19 |
| SD0640322TP | 6 | 42 | SM6052002TP | 14 | 91 | SS6091022TP | 10 | 19 |
| SD0640325SP | 24 | 39 | SM6052002TP | 34 | 14 | SS6110480SP | 42 | 10 |
| SD0640451TP | 26 | 49 | SM6061202TP | 34 | 2 | SS6110630TP | 14 | 64 |
| SD0640482SP | 26 | 53 | SM6061602TP | 28 | 3 | SS6110710TP | 26 | 59 |
| SD0640751SP | 24 | 44 | SM6061602TP | 52 | 3 | SS6110810TP | 36 | 18 |
| SD0700451TP | 34 | 20 | SM6061802TP | 16 | 40 | SS6111010SP | 46 | 11 |
| SD0720331SP | 38 | 5 | SM6062502TP | 12 | 37 | SS6111010TP | 42 | 47 |
| SD0720331SP | 56 | 5 | SM6062502TP | 34 | 22 | SS6111140SP | 4 | 60 |
| SD0800352SP | 28 | 10 | SM6082002TP | 38 | 2 | SS6111140SP | 24 | 43 |
| SD0800352SP | 52 | 10 | SM6082002TP | 56 | 2 | SS6111210SP | 8 | 68 |
| SD0800402TP | 16 | 34 | SM6082502TP | 20 | 29 | SS6111610SP | 16 | 37 |
| SD0800402TP | 28 | 13 | SM8050502TP | 16 | 6 | SS6111610SP | 60 | 10 |
| SD0800402TP | 52 | 13 | SM8050602TP | 14 | 86 | SS6120930TP | 18 | 53 |
| SD0800481SP | 12 | 45 | SM8050602TP | 36 | 20 | SS6121610TP | 16 | 16 |
| SD0900701TP | 16 | 21 | SM8050612TP | 18 | 52 | SS6121610TP | 24 | 48 |
| SD1000801SH | 18 | 55 | SM8052502TP | 34 | 15 | SS6121610TP | 26 | 48 |
| SK3241601SC | 50 | 13 | SM8060602TP | 6 | 28 | SS6121860SP | 16 | 43 |
| SK3385001SE | 40 | 13 | SM8080802TP | 10 | 21 | SS6151040SP | 26 | 56 |
| SK3385001SE | 52 | 40 | SM8080812TP | 6 | 14 | SS6151040SP | 38 | 14 |
| SK3385001SE | 56 | 29 | SM9061203SE | 34 | 31 | SS6151040SP | 56 | 14 |
| SK3482500SC | 50 | 16 | SQ1110401MZ | 22 | 51 | SS6151210SP | 2 | 39 |
| SK3482501SE | 40 | 33 | SQ1110401MZ | 42 | 39 | SS6151220SP | 60 | 33 |
| SK3482501SE | 54 | 51 | SQ1150451MZ | 42 | 27 | SS6151440SP | 50 | 2 |
| SK3482501SE | 56 | 37 | SS2090710TP | 2 | 31 | SS6151780SP | 12 | 27 |
| SK3514000SC | 60 | 40 | SS2110920TP | 46 | 3 | SS6151812TP | 24 | 36 |
| SL4030631SC | 60 | 27 | SS3090610SP | 42 | 17 | SS6151920SP | 12 | 30 |
| SL4040881SC | 14 | 53 | SS4110515SP | 2 | 35 | SS6152440SP | 10 | 29 |
| SM1050801SR | 14 | 72 | SS4110615SP | 42 | 41 | SS6153040SP | 20 | 27 |
| SM3031401SE | 50 | 9 | SS4110815SP | 2 | 56 | SS6153040SP | 50 | 22 |
| SM4061001SB | 40 | 20 | SS4110815SP | 4 | 56 | SS6661110SP | 8 | 76 |
| SM4061001SB | 54 | 50 | SS4110815SP | 6 | 29 | SS7060610SP | 24 | 15 |
| SM4061001SB | 56 | 36 | SS4110815SP | 42 | 46 | SS7090510SP | 34 | 26 |
| SM6021000TP | 50 | 29 | SS4110815SP | 60 | 12 | SS7090520SP | 30 | 29 |
| SM6030602TP | 10 | 12 | SS4111215SP | 2 | 2 | SS7090520TP | 2 | 33 |

NUMERICAL INDEX OF PARTS

| PART NO | PAGE | REF NO. | PART NO | PAGE | REF NO. | PART NO | PAGE | REF NO. |
|-------------|------|---------|-------------|------|---------|-------------|------|---------|
| SS7090610SP | 16 | 30 | SS8150510TP | 20 | 43 | WP0480856SP | 60 | 36 |
| SS7090910SP | 10 | 10 | SS8150710SP | 12 | 93 | WP0482086SD | 12 | 34 |
| SS7090910TP | 16 | 32 | SS8150710SP | 14 | 93 | WP0501016SD | 28 | 30 |
| SS7091410SP | 36 | 15 | SS8150710TP | 6 | 49·50 | WP0501016SD | 52 | 42 |
| SS7110510SP | 12 | 20 | SS8150710TP | 8 | 49·50 | WP0501046SC | 12 | 18 |
| SS7110510SP | 42 | 12 | SS8150822TP | 6 | 64 | WP0501046SC | 32 | 12 |
| SS7110570SP | 32 | 4 | SS8150822TP | 8 | 64 | WP0621016SD | 16 | 5 |
| SS7110710SL | 60 | 35 | SS8150822TP | 16 | 28 | WP0621016SD | 62 | 2 |
| SS7110710SP | 6 | 23 | SS8151150SP | 22 | 63 | WP0641601SD | 28 | 4 |
| SS7110830SP | 10 | 17 | SS8151150TP | 10 | 5 | WP0641601SD | 52 | 4 |
| SS7110830SP | 14 | 80 | SS8151150TP | 16 | 14 | WP0651056SD | 26 | 64 |
| SS7110830SP | 42 | 33 | SS8151150TP | 20 | 40 | WP0850002SP | 20 | 28 |
| SS7110840SP | 28 | 29 | SS8151550SP | 8 | 59 | WS0610002KN | 62 | 3 |
| SS7110840SP | 50 | 3 | SS8660530TP | 8 | 49·50 | WS0610002KP | 26 | 66 |
| SS7110840SP | 52 | 30 | SS8660530TP | 20 | 53 | WT0530002KS | 4 | 61 |
| SS7110840SP | 60 | 1 | SS8660530TP | 22 | 53 | | | |
| SS7110910TP | 10 | 15 | SS8660610TP | 12 | 8 | | | |
| SS7110910TP | 12 | 42 | SS8660610TP | 16 | 60 | | | |
| SS7110910TP | 16 | 25 | SS8660610TP | 18 | 60 | | | |
| SS7110910TP | 30 | 33 | SS8660612TP | 6 | 40 | | | |
| SS7110910TP | 32 | 2 | SS8660612TP | 12 | 3 | | | |
| SS7111120SP | 24 | 22 | SS8660612TP | 26 | 52 | | | |
| SS7111120TP | 14 | 74 | SS8660670SP | 20 | 46 | | | |
| SS7111410SP | 16 | 11 | SS8660810TP | 6 | 78 | | | |
| SS7111410SP | 60 | 34 | SS8660810TP | 8 | 78 | | | |
| SS7111810SP | 28 | 32 | SS8660810TP | 22 | 49 | | | |
| SS7111810SP | 52 | 43 | SS8661030SP | 8 | 53 | | | |
| SS7111810TP | 20 | 14 | SS9151440CP | 16 | 4 | | | |
| SS7120760SP | 8 | 55 | TA0550604R0 | 2 | 59 | | | |
| SS7120760SP | 28 | 16 | TA0550604R0 | 4 | 59 | | | |
| SS7120760SP | 44 | 55 | TA0620504R0 | 2 | 38 | | | |
| SS7120760SP | 52 | 16 | TA0750704R0 | 4 | 48 | | | |
| SS7150740SP | 14 | 50 | TA0750704R0 | 8 | 73 | | | |
| SS7150910TP | 2 | 19 | TA0750704R0 | 12 | 10 | | | |
| SS7151210SP | 28 | 8 | TA0800704R0 | 50 | 31 | | | |
| SS7151210SP | 52 | 8 | TA1050504R0 | 2 | 45 | | | |
| SS7151610SP | 62 | 4 | TA1250504R0 | 2 | 15·66 | | | |
| SS7621040SP | 2 | 7 | TA1250504R0 | 4 | 15·66 | | | |
| SS8080410TP | 46 | 14 | TA1450404R0 | 2 | 9 | | | |
| SS8080410TP | 66 | 29 | WP0320501SC | 24 | 3 | | | |
| SS8110422TP | 20 | 44 | WP0320501SC | 50 | 12 | | | |
| SS8110422TP | 24 | 20 | WP0371016SD | 20 | 18 | | | |
| SS8110510SP | 24 | 35 | WP0430800SC | 24 | 17 | | | |
| SS8110520TP | 12 | 31 | WP0450801SD | 8 | 67 | | | |
| SS8111010TP | 6 | 43 | WP0450801SD | 44 | 62 | | | |