

MODEL : SC-900

List No : 1255-02

# PARTS LIST

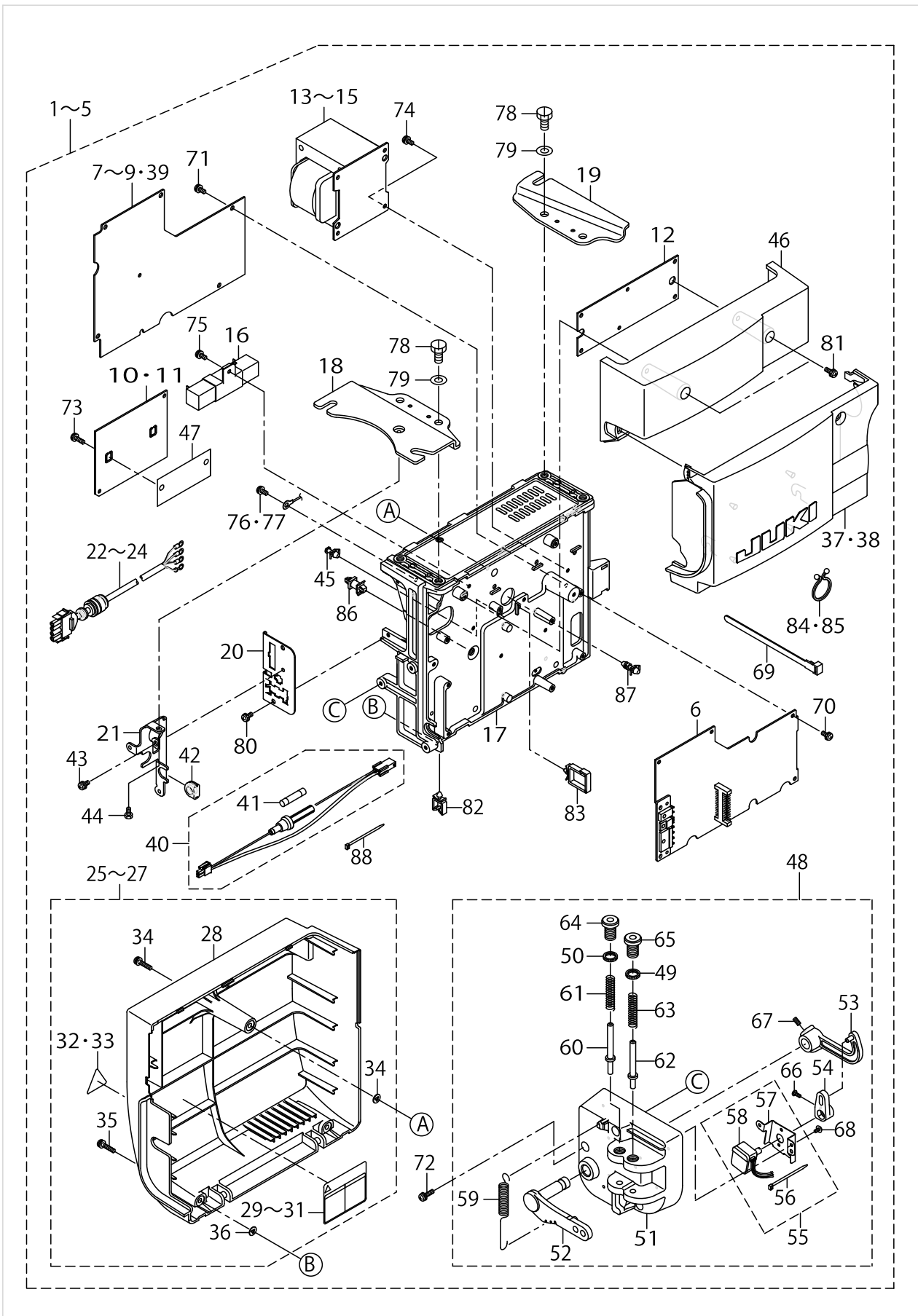
Published:09/10/2017

## CONTENTS

---

PSC UNIT COMPONENTS .....	1
ACCESSORIE PART COMPONENTS.....	5
HOW TO MAKE USE OF THIS PARTS LIST .....	7

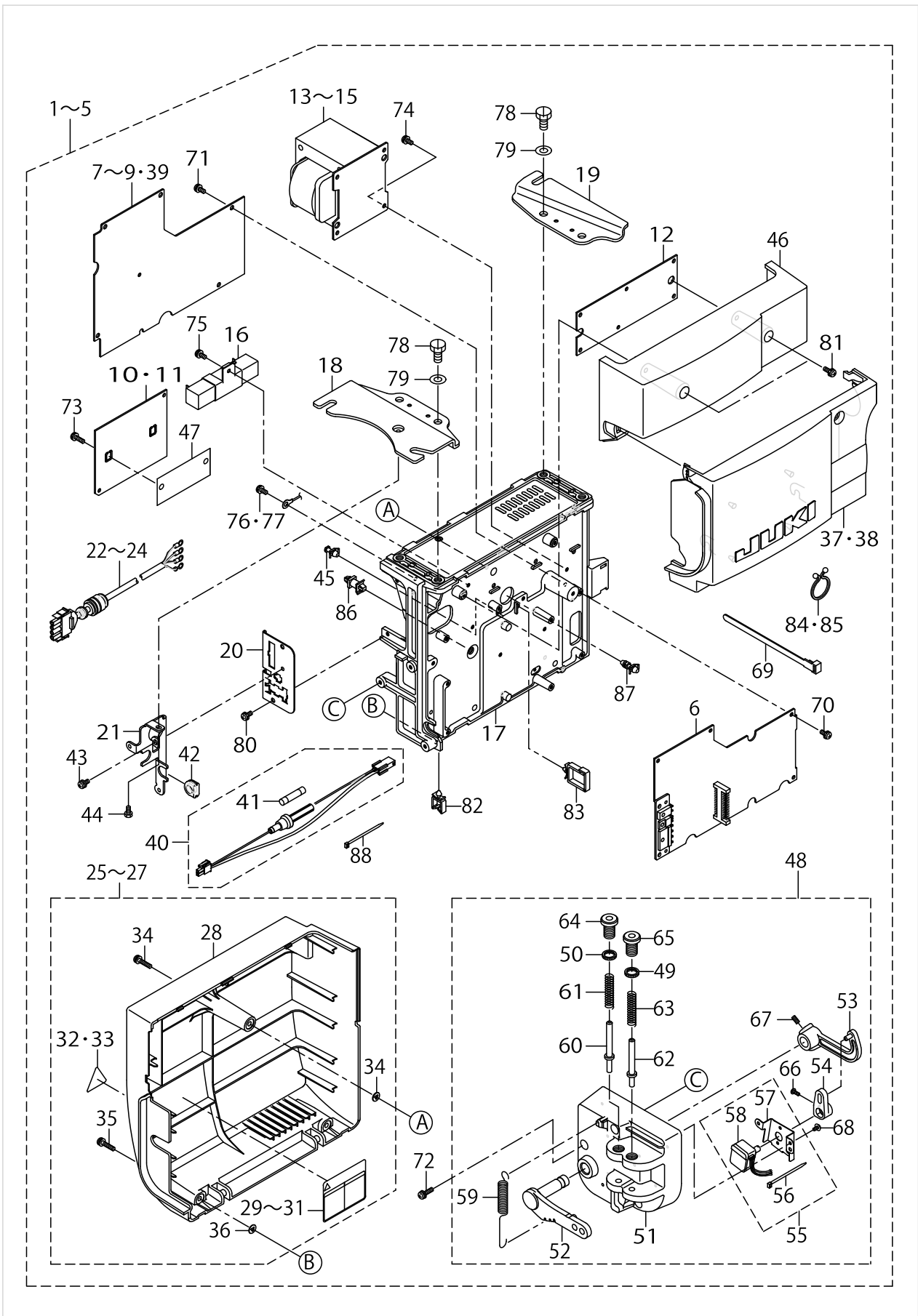
PSC UNIT COMPONENTS



PSC UNIT COMPONENTS

No.	Parts No.	Parts name	Remarks	Level	Cons	Qty
1	M2002471BA0	PSC UNIT EXPORT PFL 220V 3	FOR EXPORT 200~240V 3φ			1
2	M2002471CA0	PSC UNIT EXPORT PFL 220V 1	FOR EXPORT 200~240V 1φ			1
3	M2002471DA0	PSC UNIT CEPFL 230V 1	FOR CE 220~240V 1φ			1
4	M2002471EA0	PSC UNIT JUS PFL 220V 3	FOR JUS 200~240V 3φ			1
5	M2002471FA0	PSC UNIT JUS PFL 120V 1	FOR JUS 100~120V 1φ			1
6	M8601471CAA	CTL CIRCUIT BOARD CA ASM.		*		1
7	M8602471BA0	PWR CIRCUIT BOARD B ASM.	FOR EXPORT 200~240V 3φ	*		1
8	M8602471DA0	PWR CIRCUIT BOARD D ASM.	FOR CE 220~240V 1φ	*		1
9	M8602471FA0	PWR CIRCUIT BOARD F ASM.	FOR JUS 100~120V 1φ	*		1
10	M8603471AA0	DRV CIRCUIT BOARD A ASM.	EXPECT CE	*		1
11	M8603471BA0	DRV CIRCUIT BOARD B ASM.	FOR CE 220~240V 1φ	*		1
12	M8605471AA0	FTR CIRCUIT BOARD A ASM.	FOR CE 220~240V 1φ	*		1
13	M8501471BA0	POWER TRANSFORMER B ASM.		*		1
14	M8501471DA0	POWER TRANSFORMER D ASM.	FOR CE 220~240V 1φ	*		1
15	M8501471CA0	POWER TRANSFORMER C ASM.	FOR JUS 100~120V 1φ	*		1
16	M8502461AA0	RESISTOR A ASM.		*		1
17	M3001471000	BOX FRAME		*		1
18	M3801471000	BOX BRACKET (L)		*		1
19	M3802471000	BOX BRACKET (R)		*		1
20	M3803471000	CONNECTOR INSTALLING PLATE		*		1
21	M3804471000	POWER COVER INSTALLING PLATE	FOR CE, JUS	*		1
22	M6102471DA0	PSC UNIT CABLE D ASM.	FOR CE 220~240V 1φ	*		1
23	M6102471AA0	PSC UNIT CABLE A ASM.	FOR JUS 200~240V 3φ	*		1
24	M6102471BA0	PSC UNIT CABLE B ASM.	FOR JUS 100~120V 1φ	*		1
25	M3401471AAB	REAR COVER AB ASM.	FOR EXPORT, JUS 200~240V	*		1
26	M3401471AAC	REAR COVER AC ASM.	FOR JUS 100~120V 1φ	*		1
27	M3401471AAD	REAR COVER AD ASM.	FOR CE 220~240V 1φ	*		1
28	M3401471A00	REAR COVER A		*		1
29	M7002471B00	LABEL	FOR EXPORT, JUS 200~240V	*		1
30	M7002471D00	LABEL(CE)	FOR CE 220~240V 1φ	*		1
31	M7002471C00	LABEL(EXPORT 100V)	FOR JUS 100~120V 1φ	*		1
32	CM300100302	LABEL(SMALL)	FOR CE 220~240V 1φ	*		1
33	CM300100001	LABEL	EXPECT CE	*		1
34	SL4041891SC	SCREW M4 L=18		*		1
35	SL4041891SC	SCREW M4 L=18		*		2
36	M8002430000	STOPPER		*		3
37	M3201471AA0	FRONT COVER A ASM.	FOR EXPORT	*		1
38	M3201471BA0	FRONT COVER B ASM.	FOR CE, JUS	*		1
39	M8602471CA0	PWR CIRCUIT BOARD C ASM.	FOR EXPORT 200~240V 1φ	*		1
40	M8511461AA0	LAMP FUSE A ASM.	FOR JUS	*		1
41	M9644110000	FUSE 8A	FOR JUS	*		1
42	M1014110000	CORD BUSH B	FOR CE, JUS	*		1
43	SL4041081SC	SCREW M4 L=10	FOR CE, JUS	*		1
44	SM9040803SE	SCREW M4 L=8	FOR CE, JUS	*		1
45	HX00147000E	CIRCUIT BOARD SPACER		*		1
46	M3202471000	TOP COVER		*		1
47	M8801471000	SEAT		*		1

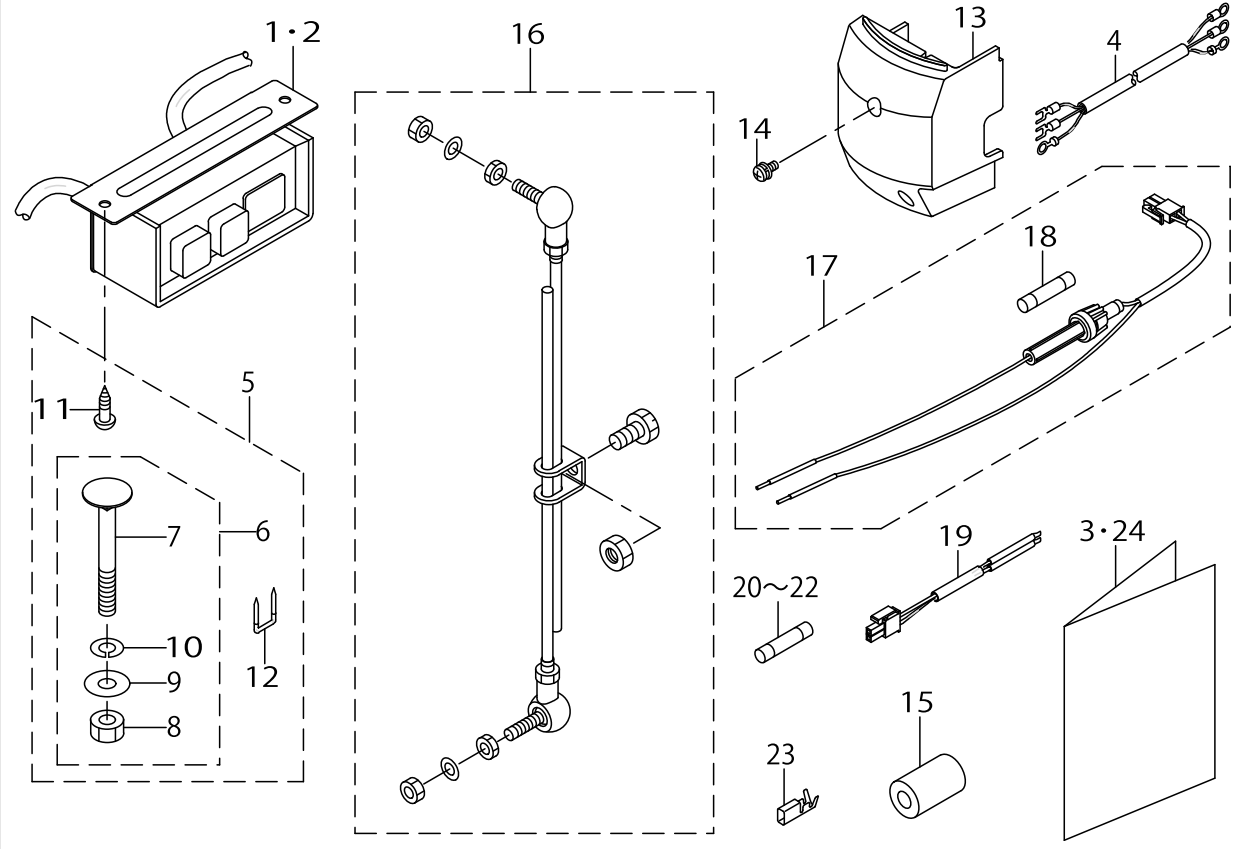
PSC UNIT COMPONENTS



PSC UNIT COMPONENTS

No.	Parts No.	Parts name	Remarks	Level	Cons	Qty
48	M4001461BA0	PEDAL SENSOR B ASM.	FOR PFL	*		1
49	M2010110000	ADJUST NUT	FOR PFL	*		2
50	M2010110000	ADJUST NUT	FOR STANDARD	*		1
51	M4001461000	PEDAL SENSOR BASE		*		1
52	M4002461000	PEDAL LEVER		*		1
53	M4004461000	PEDAL RING		*		1
54	M4005461000	VOLUME LINK		*		1
55	M4006461AA0	SENSOR FIXED PLATE A ASM.		*		1
56	EA9500B0100	CABLE BAND		*		1
57	M4006461000	SENSOR INSTALLING PLATE		*		1
58	M8508461AA0	SENSOR A ASM.		*		1
59	M4007351000	FRONT SPRING		*		1
60	M4008351000A	SPRING SHAFT A		*		1
61	M4010351000	SPRING A	FOR STANDARD	*		1
62	M4009351000A	SPRING SHAFT B	FOR PFL	*		1
63	M4011351000	SPRING B	FOR PFL	*		2
64	M4012351000	ADJUST SCREW	FOR STANDARD	*		1
65	M4012351000	ADJUST SCREW	FOR PFL	*		2
66	SM4030801SF	SCREW M3X0.5 L=8		*		1
67	SM8040802TP	SCREW M4X8		*		2
68	SV4030601SR	SCREW M3 L=6		*		2
69	HX00292000A	CONNECTING PART		*		1
70	SL4041081SF	SCREW M4 L=10		*		6
71	SL4041081SF	SCREW M4 L=10		*		5
72	SL4041681SF	SCREW M4 L=16		*		3
73	SL4041481SC	SCREW M4X0.7 L=14		*		2
74	SL4041081SF	SCREW M4 L=10		*		4
75	SL4041081SF	SCREW M4 L=10		*		1
76	SL4041091SE	SCREW M4 L=10	EXPECT CE	*		3
77	SL4041091SE	SCREW M4 L=10	FOR JUS 100~120V 1φ	*		5
78	SM9081620SE	SCREW M8 L=16		*		4
79	WP0841601SE	WASHER		*		4
80	SL4041081SC	SCREW M4 L=10		*		2
81	SL4041281SC	SCREW M4X0.7 L=12		*		2
82	HX00222000B	CABLE CLAMP		*		1
83	HX005110000	WIRE SADDLE		*		1
84	HX005100000	OMEGALOCK	FOR CE 220~240V 1φ	*		1
85	HX005100000	OMEGALOCK	EXPECT CE	*		2
86	HX00228000B	SPACER		*		1
87	HX00228000D	SPACER	FOR CE 220~240V 1φ	*		2
88	EA9500B0100	CABLE BAND	FOR JUS	*		1

ACCESSORIE PART COMPONENTS



## ACCESSORIE PART COMPONENTS

No.	Parts No.	Parts name	Remarks	Level	Cons	Qty
1	M6101471AA0	POWER SWITCH A ASM.	FOR 200~240V 3 $\phi$			1
2	M6101471CA0	POWER SWITCH C ASM.	FOR 200~240V 1 $\phi$			1
3	29326402	SC-900 INSTRUCTION MANUAL	FOR CE, JUS			1
4	M6102461DAA	AC INPUT CABLE ASM.(CE)	FOR CE 220~240V 1 $\phi$			1
5	M4401471AA0	BOX ACCESSORIE PART A ASM.	FOR EXPORT			1
6	M4401471BA0	BOX ACCESSORIE PART B ASM.	FOR JUS	*		1
7	MTSHJ100003	BOLT		*		3
8	NM6080002SC	NUT M8		*		3
9	WP0851846SC	WASHER 8.5X22.0X1.8		*		3
10	WS0820002KR	SPRING WASHER, M8		*		3
11	SK3512001SE	WOOD SCREW D=5.1 L=20		*		2
12	MA011532000	STAPLE		*		5
13	M3601471AA0	POWER COVER A ASM.	FOR CE, JUS			1
14	SL4041081SC	SCREW M4 L=10	FOR CE, JUS			2
15	HN00149000A	CLAMP FILTER	FOR CE 220~240V 1 $\phi$			1
16	M4501471AA0	CONNECTING ROD A ASM.				1
17	M8525351AA0	LAMP FUSE HOLDER ASM., A				1
18	M9644110000	FUSE 8A		*		1
19	M8526351AA0	LAMP CORD ASM., A	FOR JUS			1
20	HF0079020P0	FUSE 2A	FOR EXPORT, JUS 200~240V			1
21	HF0079040P0	FUSE 4A	FOR JUS 100~120V 1 $\phi$			1
22	HF0078020P0	FUSE 2A	FOR CE 220~240V 1 $\phi$			1
23	HK032040000	PIN TERMINAL				8
24	29326303	INSTRUCTION MANUAL (3 LANG.)				1



## HOW TO MAKE USE OF THIS PARTS LIST

1.As to "#01" and "#02" refer to the "Note" given at the bottom of the respective pages.

2.Codes on the "Qty" column

- Each numeral indicates the number of parts required.
- "0.1" and "2.5" indicate the length (in meters) of the respective parts.

3.Parentheses mean that the corresponding part is a subpart that constructs an assembly part.

4.Dotted lines on the Figures indicate assembly parts.

1. リストページの# 0 1、# 0 2の印は、ページ下の"注記"の説明を参照下さい。
2. 数量欄の数字は、個数を表し、0. 1、2. 5等の数値は、長さ（単位メートル）を表します。
3. 数量欄の（ ）は、組部品を構成している子部品であることを意味します。
4. イラストページの-----枠は、組構成であることを意味します。

# NUMERICAL INDEX OF PARTS

PART NO	PAGE	REF NO.	PART NO	PAGE	REF NO.	PART NO	PAGE	REF NO.
29326303	6	3·24	M4008351000A	4	60	SL4041091SE	4	76·77
29326402	6	3·24	M4009351000A	4	62	SL4041281SC	4	81
CM300100001	2	32·33	M4010351000	4	61	SL4041481SC	4	73
CM300100302	2	32·33	M4011351000	4	63	SL4041681SF	4	72
EA9500B0100	4	88	M4012351000	4	65	SL4041891SC	2	35
HF0078020P0	6	20~22	M4401471AA0	6	5	SM4030801SF	4	66
HF0079020P0	6	20~22	M4401471BA0	6	6	SM8040802TP	4	67
HF0079040P0	6	20~22	M4501471AA0	6	16	SM9040803SE	2	44
HK032040000	6	23	M6101471AA0	6	1·2	SM9081620SE	4	78
HN00149000A	6	15	M6101471CA0	6	1·2	SV4030601SR	4	68
HX00147000E	2	45	M6102461DAA	6	4	WP0841601SE	4	79
HX00222000B	4	82	M6102471AA0	2	22~24	WP0851846SC	6	9
HX00228000B	4	86	M6102471BA0	2	22~24	WS0820002KR	6	10
HX00228000D	4	87	M6102471DA0	2	22~24			
HX00292000A	4	69	M7002471B00	2	29~31			
HX005100000	4	84·85	M7002471C00	2	29~31			
HX005110000	4	83	M7002471D00	2	29~31			
M1014110000	2	42	M8002430000	2	36			
M2002471BA0	2	1~5	M8501471BA0	2	13~15			
M2002471CA0	2	1~5	M8501471CA0	2	13~15			
M2002471DA0	2	1~5	M8501471DA0	2	13~15			
M2002471EA0	2	1~5	M8502461AA0	2	16			
M2002471FA0	2	1~5	M8508461AA0	4	58			
M2010110000	4	50	M8511461AA0	2	40			
M3001471000	2	17	M8525351AA0	6	17			
M3201471AA0	2	37·38	M8526351AA0	6	19			
M3201471BA0	2	37·38	M8601471CAA	2	6			
M3202471000	2	46	M8602471BA0	2	7~9·39			
M3401471A00	2	28	M8602471CA0	2	7~9·39			
M3401471AAB	2	25~27	M8602471DA0	2	7~9·39			
M3401471AAC	2	25~27	M8602471FA0	2	7~9·39			
M3401471AAD	2	25~27	M8603471AA0	2	10·11			
M3601471AA0	6	13	M8603471BA0	2	10·11			
M3801471000	2	18	M8605471AA0	2	12			
M3802471000	2	19	M8801471000	2	47			
M3803471000	2	20	M9644110000	2	41			
M3804471000	2	21	M9644110000	6	18			
M4001461000	4	51	MA011532000	6	12			
M4001461BA0	4	48	MTSHJ100003	6	7			
M4002461000	4	52	NM6080002SC	6	8			
M4004461000	4	53	SK3512001SE	6	11			
M4005461000	4	54	SL4041081SC	2	80			
M4006461000	4	57	SL4041081SC	4	80			
M4006461AA0	4	55	SL4041081SC	6	14			
M4007351000	4	59	SL4041081SF	4	75			