

MODEL : AW-2
List No : 1254-07

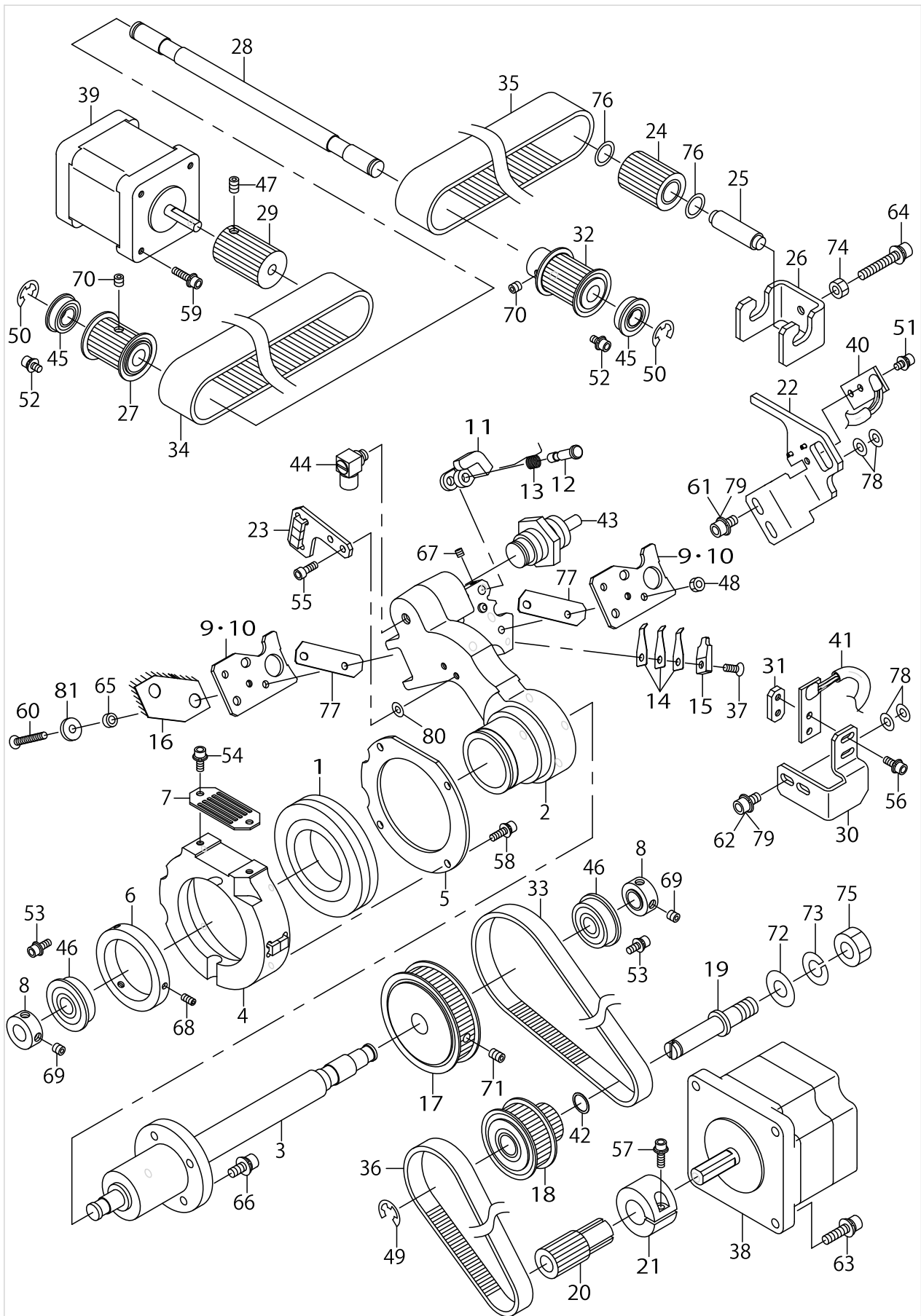
PARTS LIST

Published:09/10/2017

CONTENTS

CONVEY UNIT COMPONENTS	1
UNWINDING UNIT COMPONENTS (FOR AW-2,AW-2A,AW-2C).....	5
UNWINDING UNIT COMPONENTS (FOR AW-2D).....	9
UNTYING UNIT COMPONENTS (FOR AW-2D).....	13
WINDING UNIT COMPONENTS (FOR AW-2,AW-2A,AW-2C).....	15
WINDING UNIT COMPONENTS (FOR AW-2D).....	19
SUPPORT UNIT COMPONENTS.....	23
THREAD MEASURING UNIT COMPONENTS (FOR AW-2,AW-2A,AW-2C).....	27
THREAD MEASURING UNIT COMPONENTS (FOR AW-2D).....	31
HOUSING COMPONENTS (FOR AW-2).....	35
HOUSING COMPONENTS (1) (FOR AW-2A,AW-2C).....	37
HOUSING COMPONENTS (2) (FOR AW-2A,AW-2C).....	39
HOUSING COMPONENTS (1) (FOR AW-2D).....	43
HOUSING COMPONENTS (2) (FOR AW-2D).....	45
ELECTRICAL BOX COMPONENTS (FOR AW-2).....	49
ELECTRICAL BOX COMPONENTS (FOR AW-2A,AW-2C).....	51
ELECTRICAL BOX COMPONENTS (FOR AW-2D).....	55
OPERATION BOX COMPONENTS ANOTHER (FOR AW-2A,AW-2C).....	59
ACCESSORIE PARTS COMPONENTS.....	61
EXCLUSIVE PARTS MACHINE FRAME & TABLE (FOR AW-2A).....	65
EXCLUSIVE PARTS MACHINE FRAME & TABLE (FOR AW-2C).....	67
LIST FOR INFORMATION OF CHANGE.....	69
HOW TO MAKE USE OF THIS PARTS LIST.....	70

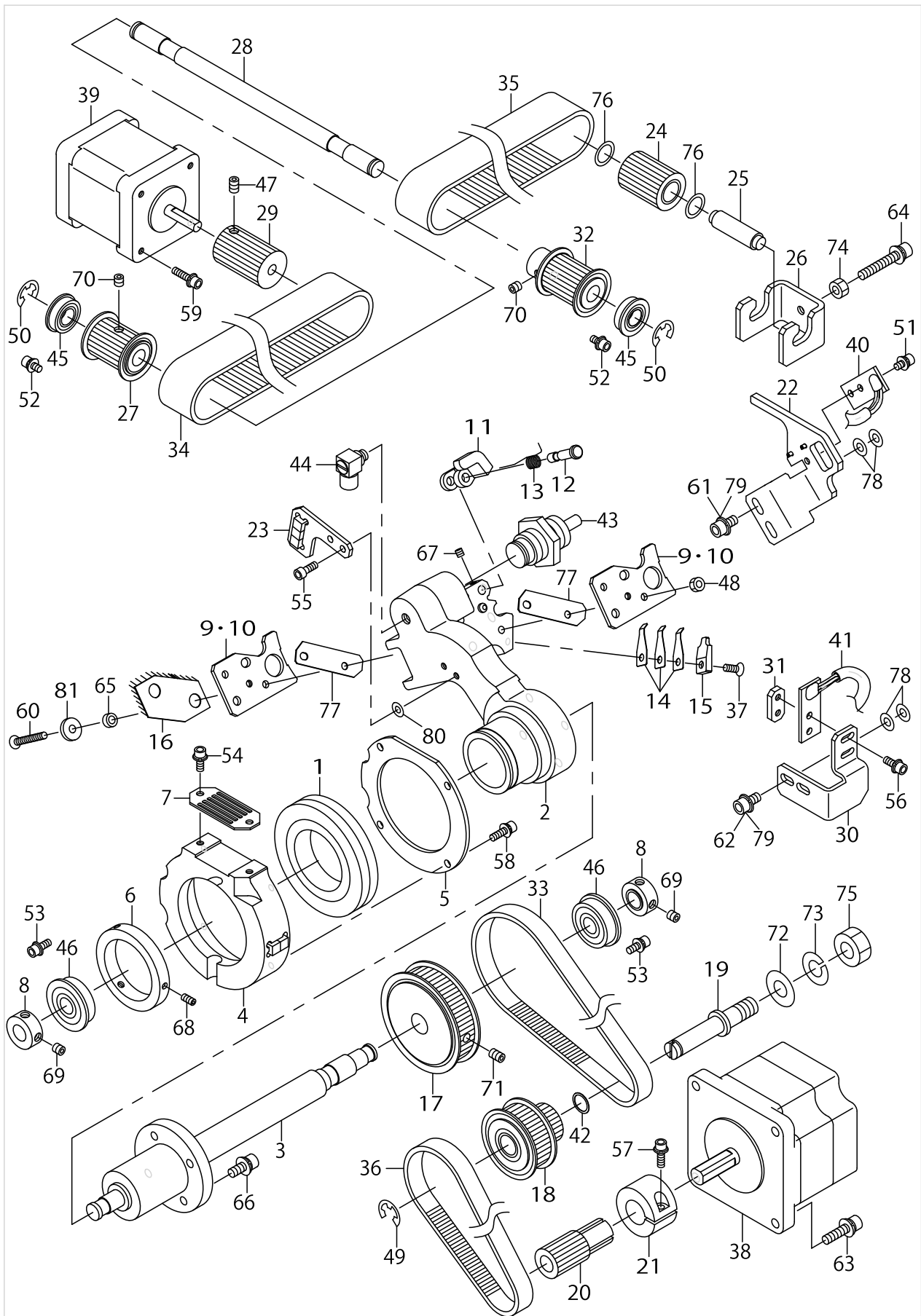
CONVEY UNIT COMPONENTS



CONVEY UNIT COMPONENTS

No.	Parts No.	Parts name	Remarks	Level	Cons	Qty
1	SB230000100	BEARING				1
2	GAW021010A0	CONVEY ARM ASM.				1
3	GAW02102000	CONVEY SHAFT				1
4	GAW021030A0	CONVEY RING ASM.				1
5	GAW02104000	CONVEY RING PLATE				1
6	GAW02105000	CONVEY RING COLLAR				1
7	GAW02106000	CONVEY BELT PLATE				1
8	GAW02107000	CONVEY SHAFT COLLAR				1
9	GAW02111000	CHUCK BASE PLATE 17	FOR AW-2,AW-2D			2
10	GAW02701000	CHUCK BASE PLATE 10	FOR AW-2A,AW-2C			2
11	GAW02112000	CHUCK NEIL				1
12	GAW02113000	CHUCK NEIL SHAFT				1
13	GAW02114000	CHUCK NEIL SPRING				1
14	GAW02115000	CHUCK STOPPER				3
15	GAW02116000	CHUCK STOPPER SUPPORT				1
16	GAW02118000	THREAD HOLDER	FOR AW-2,AW-2A,AW-2C			1
17	GAW02121000	PULLEY				1
18	GAW021220A0	IDLER PULLEY ASM.				1
19	GAW02123000	ROTATING IDLER SHAFT				1
20	GAW02124000	ROTATING MOTOR PULLEY				1
21	GAW02125000	ROTATING PULLEY COLLAR				1
22	GAW021260A0	ROTATING SENSOR PLATE ASM.				1
23	GAW021270A0	ROTATING MG HOLDER ASM.				1
24	GAW021310A0	HORIZONTAL FEED PULLEY ASM.				1
25	GAW02132000	HORIZONTAL FEED PULLEY				1
26	GAW02133000	HORIZONTAL FEED PULLEY PLATE				1
27	GAW02134000	HORIZONTAL FEED IDLER PULLEY				1
28	GAW02135000	HORIZONTAL FEED IDLER SHAFT				1
29	GAW02136000	HORIZONTAL FEED MOTOR PULLEY				1
30	GAW02137000	HORIZONTAL FEED SENSOR PLATE				1
31	GAW02138000	HORIZONTAL FEED SCREW PLATE				1
32	GAW02140000	HORIZONTAL FEED IDLER PULLEY F				1
33	GAW02601000	TIMING BELT				1
34	GAW02605000	TIMING BELT				1
35	GAW02606000	TIMING BELT				1
36	GAW02607000	TIMING BELT				1
37	GAW02621000	SCREW				1
38	GAW02851000	ROTATING MOTOR				1
39	GAW02852000	HORIZONTAL FEED MOTOR				1
40	GAW028610A0	ROTATING SENSOR ASM.				1
41	GAW028620A0	HORIZONTAL FEED SENSOR ASM.				1
42	GAW01507000	SPACER				1
43	PA1001026A0	PIN CYLINDER				1
44	PJ046052503	HOSE ELBOW				1
45	SB108000200	SIDE BEARING				2
46	SB108000500	RADIAL BEARING				2
47	SM8040612TP	SCREW M4 L=6				2

CONVEY UNIT COMPONENTS



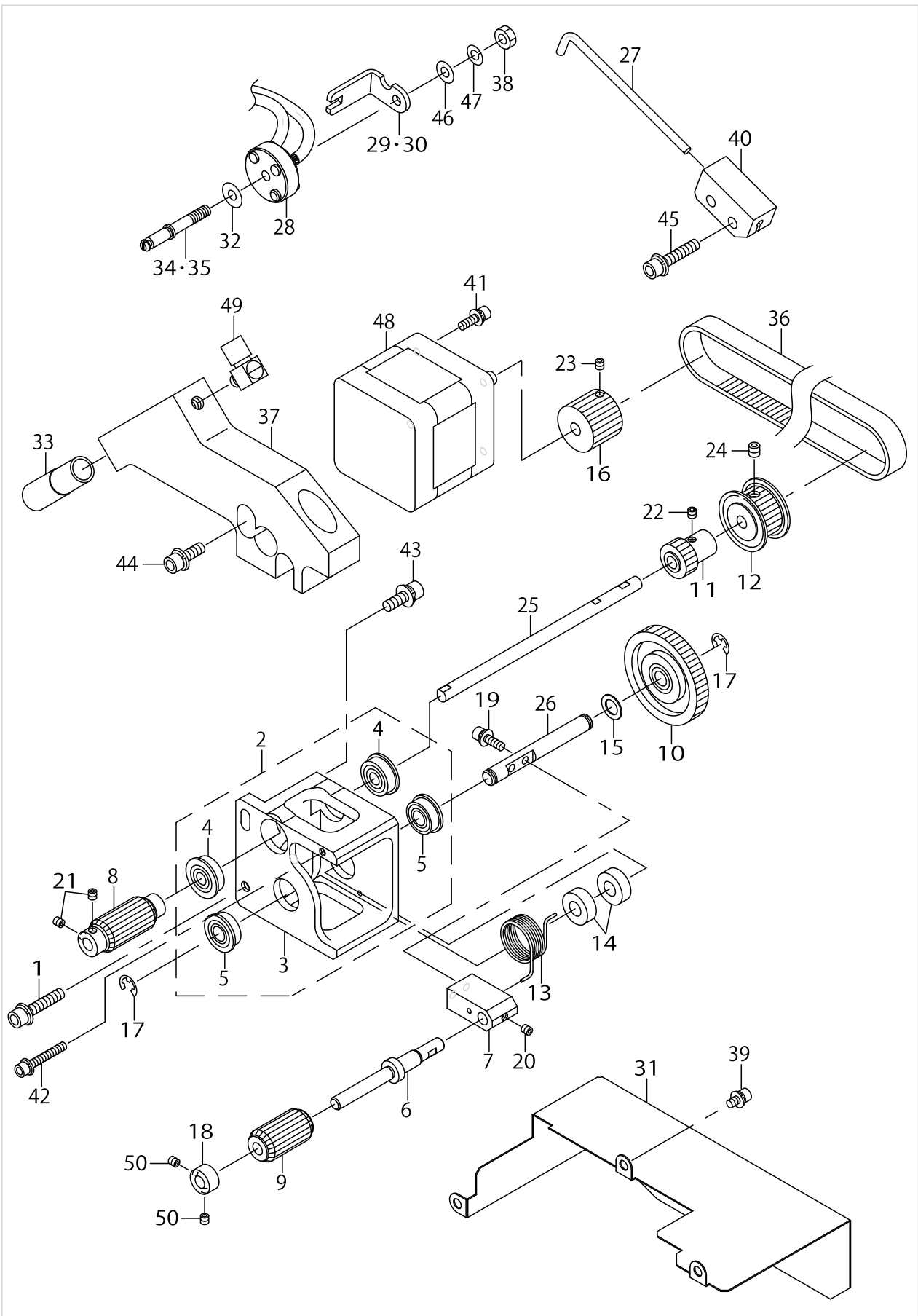
CONVEY UNIT COMPONENTS

No.	Parts No.	Parts name	Remarks	Level	Cons	Qty
48	NM6030002SC	NUT M3				2
49	RE0600000K0	E-RING 6				1
50	RE0600000K0	E-RING 6				2
51	SL6030692TN	BOLT				1
52	SM6030602TN	HEX SCREW M3 X 6				2
53	SM6030602TN	HEX SCREW M3 X 6				4
54	SL6030892TN	SCREW				2
55	SL6030892TN	SCREW				2
56	SL6030892TN	SCREW				2
57	SL6031042TN	SCREW				1
58	SL6031092TN	SCREW				4
59	SL6031292TN	BOLT				3
60	SM1032001SC	SCREW M3X0.5 L=20				2
61	SL6041092TN	SCREW	FOR AW-2,AW-2A,AW-2C			2
62	SL6040892TN	BOLT	FOR AW-2,AW-2A,AW-2C			2
63	SL6041692TN	SCREW				4
64	SL6042592TN	SCREW				1
65	G5841830000	SPACER	FOR AW-2,AW-2A,AW-2C			1
66	SL6041042TN	BOLT				4
67	SM8030302TP	SCREW M3X0.5 L=3				2
68	SM8030602TP	SCREW M3X0.5 L=6				3
69	SM8040402TP	SCREW M4X0.7 L=4				2
70	SM8040402TP	SCREW M4X0.7 L=4				4
71	SM8050812TP	SCREW M5X8				2
72	WP0841601SC	WASHER 8.4X17.4X1.6				1
73	WS0820002KN	SPRING WASHER M8				1
74	NM6040002SE	NUT M4X0.7				2
75	NM6080002SC	NUT M8				1
76	GAW02139000	HORIZONTAL FEED SPACER				2
77	40032693	CHUCK_BASE_SPACER	FOR AW-2D			2
78	WP0430801SC	WASHER 4.3X9X0.8	FOR AW-2D			4
79	SL6041292TN	SCREW	FOR AW-2D			2
80	WP0320501SC	WASHER M3				2
81	18222901	WASHER A				2

UNWINDING UNIT COMPONENTS (FOR AW-2,AW-2A,AW-2C)

No.	Parts No.	Parts name	Remarks	Level	Cons	Qty
1	SL6042092TN	SCREW M4 L=20				1
2	GAW022010A0	ZA FRAME ASM.				1
3	GAW02201000	ZA FRAME		*		1
4	SB105001500	BEARING		*		2
5	SB106000900	BEARING		*		2
6	GAW02204A00	UNWINDING DRIVEN SHAFT				1
7	GAW02205000	ZA ARM				1
8	GAW02206000A	ZA DRIVE GEAR				1
9	GAW02207000A	ZA IDLER GEAR				1
10	GAW022080A0	ZA ARM GEAR L ASM.				1
11	GAW02209000	ZA ARM GEAR S				1
12	GAW02210000	ZA PULLEY M				1
13	GAW02211000	ZA SPRING				1
14	13507405	ROLLER				2
15	13507504	WASHER				1
16	GAW01309000	WINDING MOTOR PULLEY				1
17	RE0400000K0	E-RING 4				2
18	GAW02213000	UNWINDING THRUST COLLAR				1
19	SL6031092TN	SCREW				2
20	SM8030312TP	SCREW M3 L=3				1
21	SM8030312TP	SCREW M3 L=3				2
22	SM8030312TP	SCREW M3 L=3				2
23	SM8030302TP	SCREW M3X0.5 L=3				2
24	SM8040412TP	SET SCREW M4 L=4				2
25	GAW02202A00	UNWINDING DRIVE SHAFT				1
26	GAW02203000	ZA SHAFT M				1
27	GAW02223000	ZA PIPE H				1
28	GAW022260A0	ZA HOLDER ASM.				1
29	GAW02227000	ZA HOLDER BK	FOR AW-2			1
30	GAW02705000	ZA HOLDER BK(1)	FOR AW-2A,AW-2C			1
31	GAW02228000	ZA BELT COVER				1
32	GAW02229000	ZA HOLDER SPACER				1
33	GAW02230000	ZA PIPE D				1
34	GAW02403000	DUMMY SHAFT 17	FOR AW-2			1
35	GAW02703000	DUMMY SHAFT 10	FOR AW-2A,AW-2C			1
36	GAW02604000	TIMING BELT				1
37	GAW02221000	ZA DIFFUSER				1
38	NM6040001SC	NUT M4				1
39	SL6030692TN	BOLT				3
40	GAW02222000	ZA PIPE HOLDER				1
41	SL6031092TN	SCREW				3
42	SL6032092TN	BOLT				1
43	SL6041292TN	SCREW				1
44	SL6041292TN	SCREW				2
45	SL6042092TN	SCREW M4 L=20				2
46	WP0430801SC	WASHER 4.3X9X0.8				1
47	WS0411002KN	SPRING WASHER				1

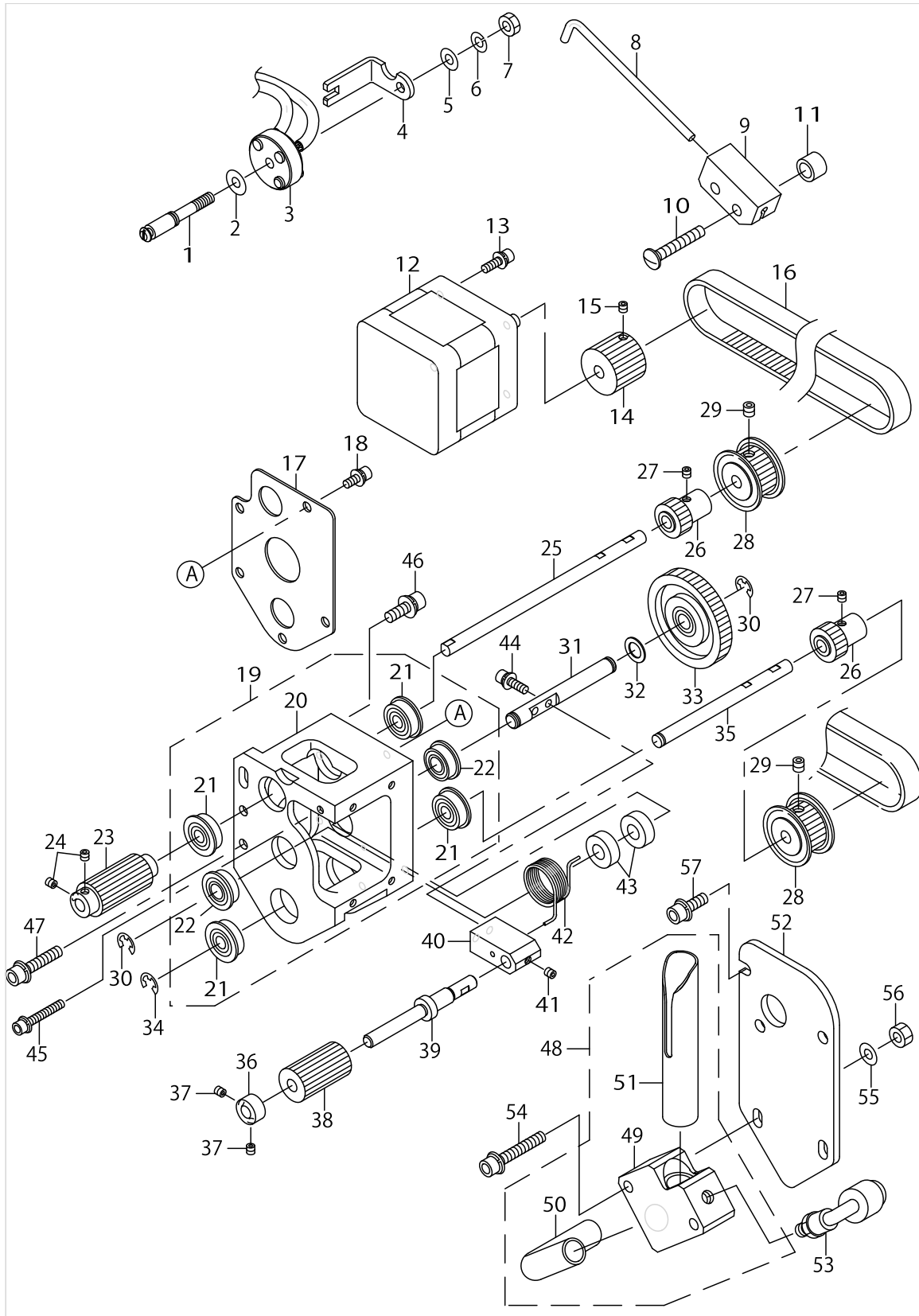
UNWINDING UNIT COMPONENTS (FOR AW-2,AW-2A,AW-2C)



UNWINDING UNIT COMPONENTS (FOR AW-2,AW-2A,AW-2C)

No.	Parts No.	Parts name	Remarks	Level	Cons	Qty
48	GAW02855000	UNWINDING MOTOR				1
49	PJ046054002	HOSE ELBOW				1
50	SM8030312TP	SCREW M3 L=3				2

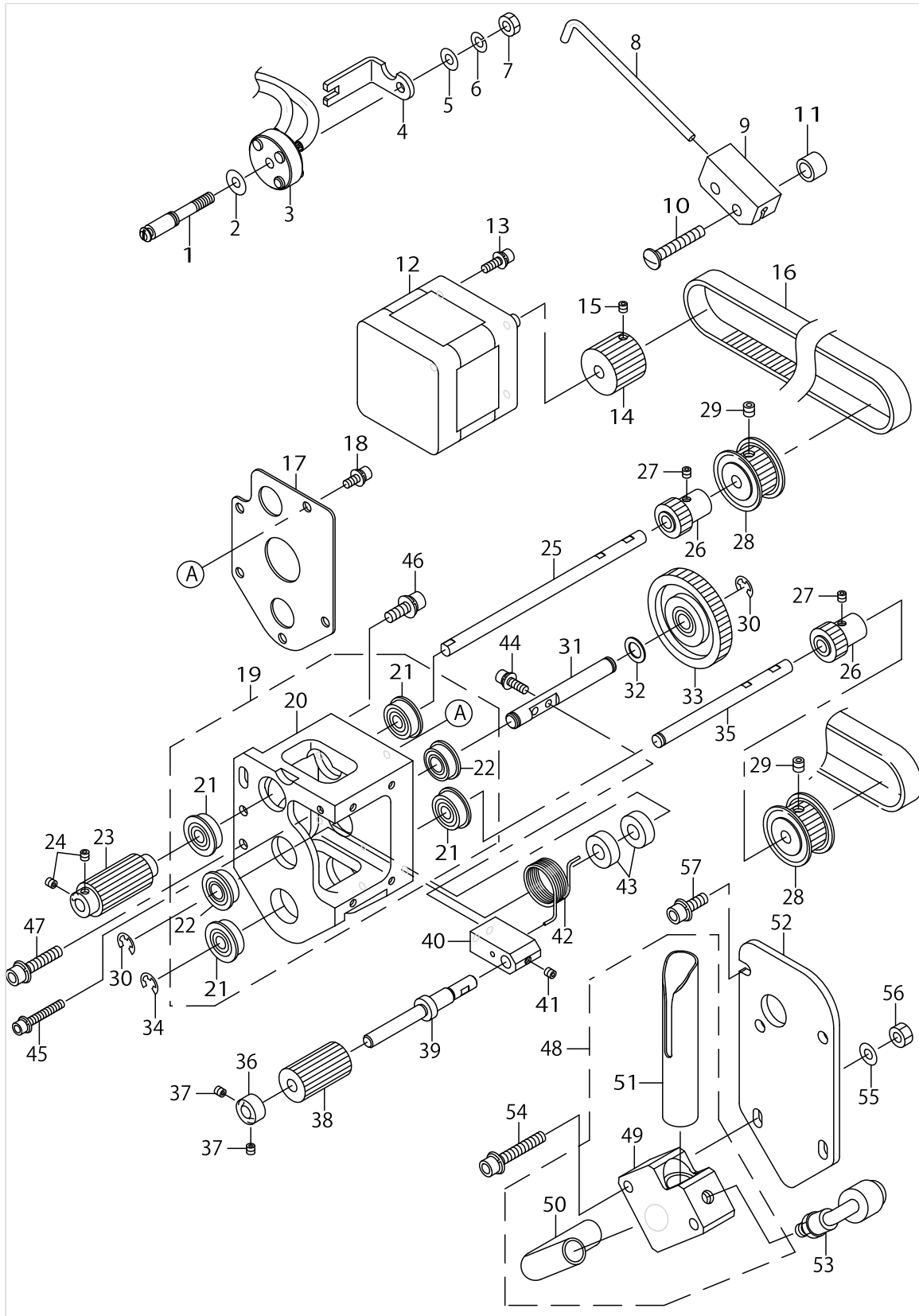
UNWINDING UNIT COMPONENTS (FOR AW-2D)



UNWINDING UNIT COMPONENTS (FOR AW-2D)

No.	Parts No.	Parts name	Remarks	Level	Cons	Qty
1	GAW02403A00	DUMMY SHAFT 30				1
2	GAW02229000	ZA HOLDER SPACER				1
3	GAW022260A0	ZA HOLDER ASM.				1
4	GAW02227A00	UNWINDING HOLDER BK(3)				1
5	WP0430801SC	WASHER 4.3X9X0.8				1
6	WS0410002KN	SPRING WASHER				1
7	NM6040001SC	NUT M4				1
8	GAW02223000	ZA PIPE H				1
9	GAW02222000	ZA PIPE HOLDER				1
10	SM0042501SN	SCREW				2
11	B1513210000	CLOTH PRESSER MAGNET SPACER				2
12	GAW02855000	UNWINDING MOTOR				1
13	SL6031092TN	SCREW				3
14	GAW01309000	WINDING MOTOR PULLEY				1
15	SM8030302TP	SCREW M3X0.5 L=3				2
16	GAW02604000	TIMING BELT				1
17	GAW02212000	UNWINDING FRAME COVER				1
18	SL6030892TN	SCREW				5
19	GAW02201AA0	UNWINDING FRAME ASM.				1
20	GAW02201A00	UNWINDING FRAME		*		1
21	SB105001500	BEARING		*		4
22	SB106000900	BEARING		*		2
23	40032715	DRIVE_GEAR_A				1
24	SM8030312TP	SCREW M3 L=3				2
25	GAW02202A00	UNWINDING DRIVE SHAFT				1
26	GAW02209000	ZA ARM GEAR S				2
27	SM8030312TP	SCREW M3 L=3				4
28	GAW02210000	ZA PULLEY M				2
29	SM8040412TP	SET SCREW M4 L=4				4
30	RE0400000K0	E-RING 4				2
31	GAW02203000	ZA SHAFT M				1
32	13507504	WASHER				1
33	GAW022080A0	ZA ARM GEAR L ASM.				1
34	RE0400000K0	E-RING 4				1
35	GAW02244000	UN-TYING TRANSMISSION SHAFT				1
36	GAW02213000	UNWINDING THRUST COLLAR				1
37	SM8030312TP	SCREW M3 L=3				2
38	40032716	DRIVEN_GEAR_A				1
39	GAW02204A00	UNWINDING DRIVEN SHAFT				1
40	GAW02205000	ZA ARM				1
41	SM8030312TP	SCREW M3 L=3				1
42	GAW02211A00	UNWINDING SPRING H				1
43	13507405	ROLLER				2
44	SL6031092TN	SCREW				2
45	SL6032092TN	BOLT				1
46	SL6041292TN	SCREW				1
47	SL6042092TN	SCREW M4 L=20				1

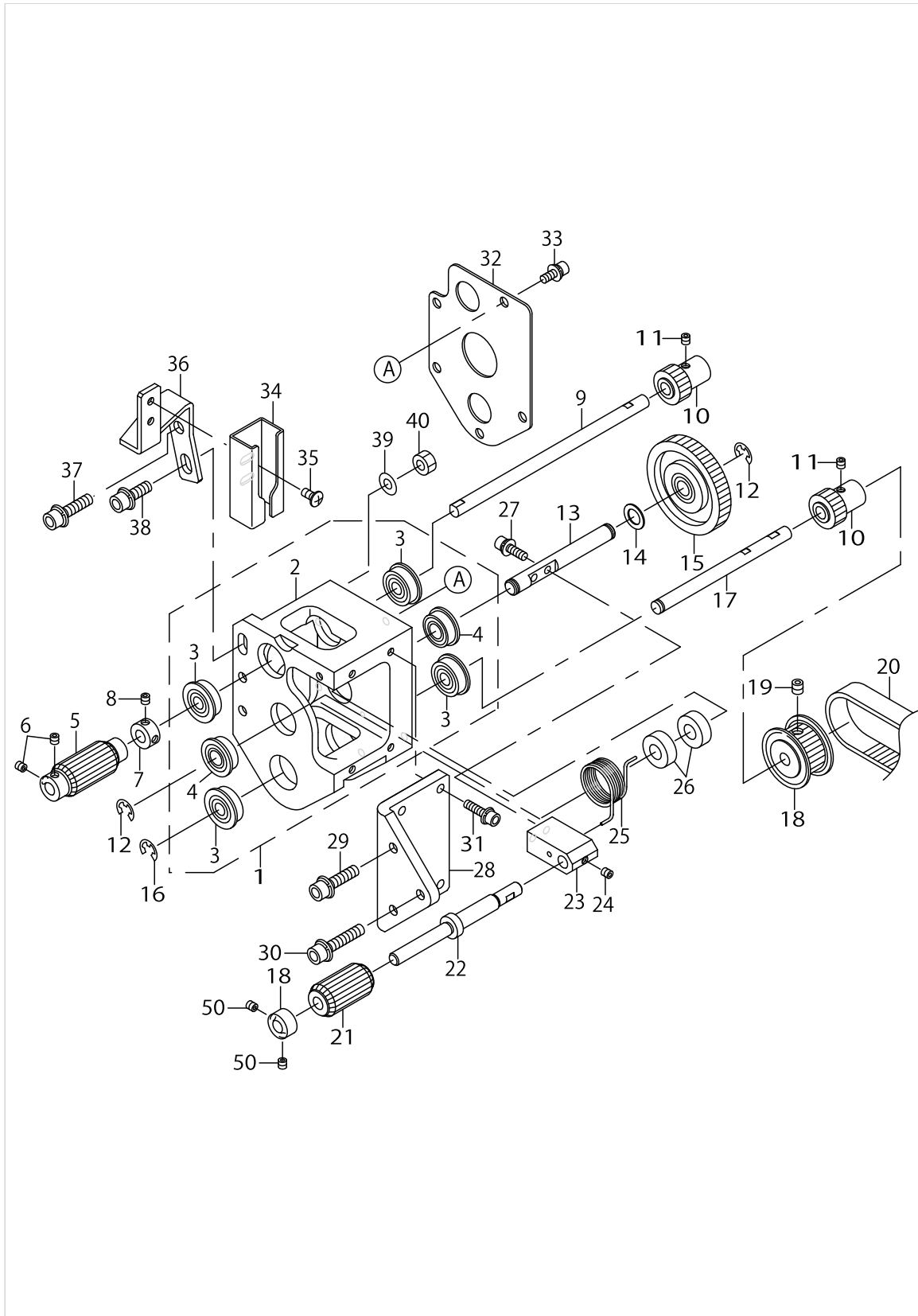
UNWINDING UNIT COMPONENTS (FOR AW-2D)



UNWINDING UNIT COMPONENTS (FOR AW-2D)

No.	Parts No.	Parts name	Remarks	Level	Cons	Qty
48	GAW02221AA0	UNWINDING DIFFUSER ASM.				1
49	GAW02221A00	UNWINDING DIFFUSER		*		1
50	GAW02230000	ZA PIPE D		*		1
51	GAW02232000	UNWINDING DIFFUSER NOZZLE		*		1
52	GAW02231000	UNWINDING DIFFUSER PLATE				1
53	PJ304060502	ELBOW UNION 6XM5				1
54	SL6042592TN	SCREW				2
55	WP0430801SC	WASHER 4.3X9X0.8				2
56	NM6040001SC	NUT M4				2
57	SL6041292TN	SCREW				3

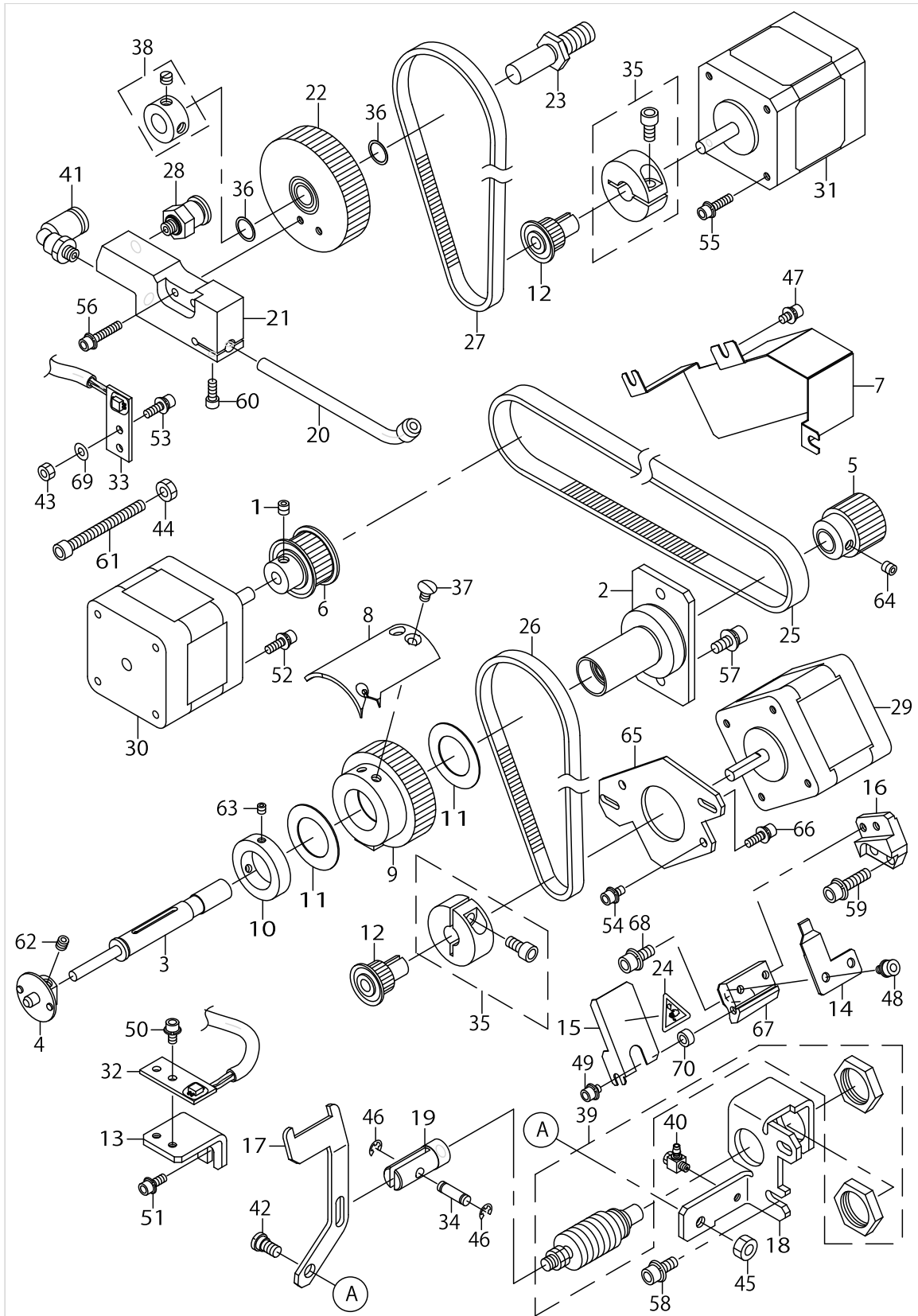
UNTYING UNIT COMPONENTS (FOR AW-2D)



UNTYING UNIT COMPONENTS (FOR AW-2D)

No.	Parts No.	Parts name	Remarks	Level	Cons	Qty
1	GAW02201AA0	UNWINDING FRAME ASM.				1
2	GAW02201A00	UNWINDING FRAME		*		1
3	SB105001500	BEARING		*		4
4	SB106000900	BEARING		*		2
5	GAW02245000	DRIVE GEAR				1
6	SM8030312TP	SCREW M3 L=3				2
7	GAW02213000	UNWINDING THRUST COLLAR				2
8	SM8030312TP	SCREW M3 L=3				4
9	GAW02242000	UN-TYING DRIVE SHAFT				1
10	GAW02209000	ZA ARM GEAR S				2
11	SM8030312TP	SCREW M3 L=3				4
12	RE0400000K0	E-RING 4				2
13	GAW02203000	ZA SHAFT M				1
14	13507504	WASHER				1
15	GAW022080A0	ZA ARM GEAR L ASM.				1
16	RE0400000K0	E-RING 4				1
17	GAW02244000	UN-TYING TRANSMISSION SHAFT				1
18	GAW02210000	ZA PULLEY M				1
19	SM8040412TP	SET SCREW M4 L=4				2
20	GAW02608000	TIMING BELT				1
21	GAW02246000	DRIVEN GEAR				1
22	GAW02243000	UN-TYING DRIVEN SHAFT				1
23	GAW02205000	ZA ARM				1
24	SM8030312TP	SCREW M3 L=3				1
25	GAW02211000	ZA SPRING				1
26	13507405	ROLLER				2
27	SL6031092TN	SCREW				2
28	GAW02241000	UN-TYING FRAME PLATE				1
29	SL6041692TN	SCREW				2
30	SL6042092TN	SCREW M4 L=20				1
31	SL6031292TN	BOLT				4
32	GAW02212000	UNWINDING FRAME COVER				1
33	SL6030892TN	SCREW				5
34	GAW02247000	UN-TYING GEAR GUIDE				1
35	SM0030601SC	SCREW M3X0.5 L=6				2
36	GAW02248000	UN-TYING GEAR GUIDE BK				1
37	SL6041692TN	SCREW				1
38	SL6041292TN	SCREW				1
39	WP0430801SC	WASHER 4.3X9X0.8				1
40	NM6040001SC	NUT M4				1
41	GAW02213000	UNWINDING THRUST COLLAR				1
42	SM8030312TP	SCREW M3 L=3				2

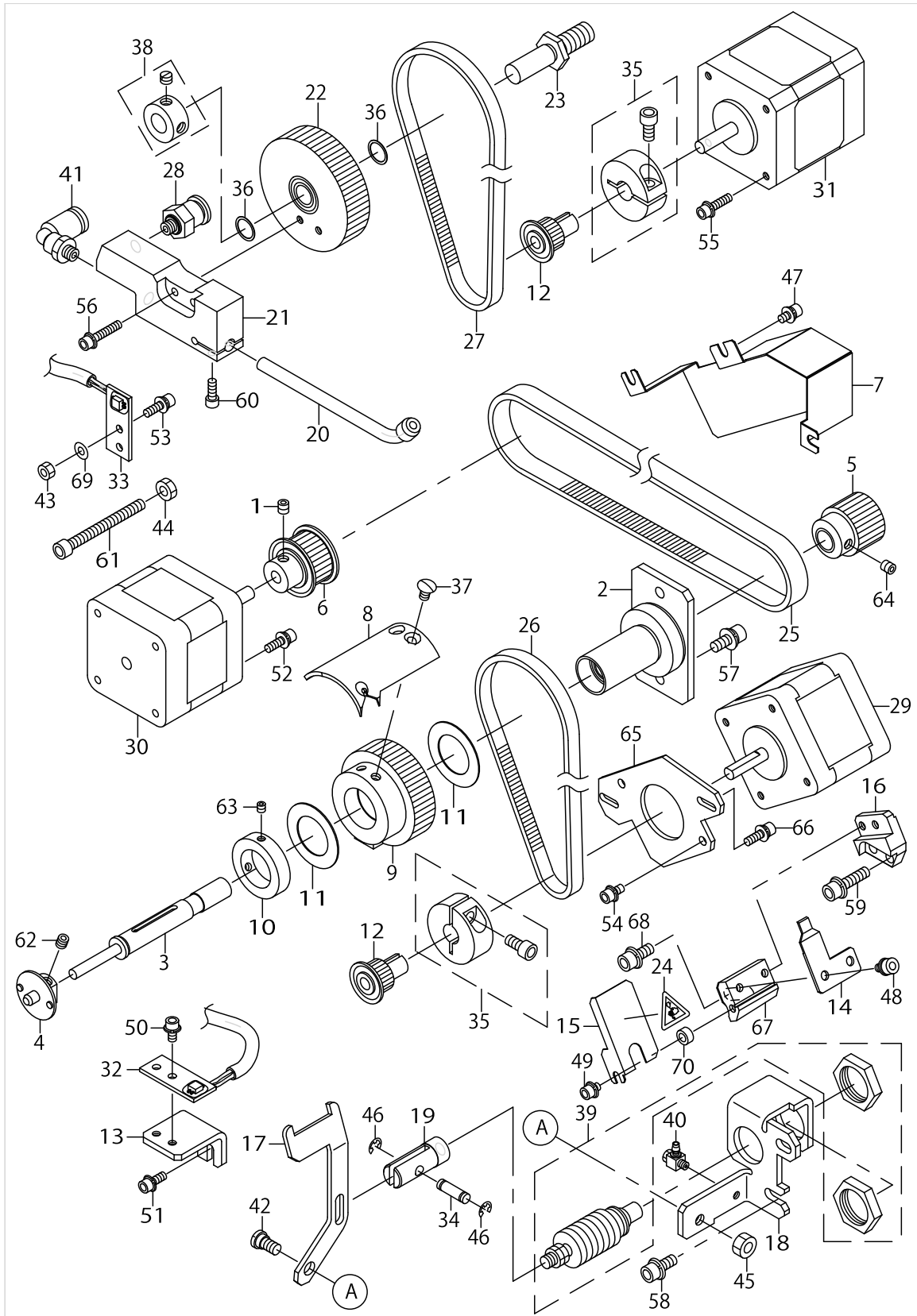
WINDING UNIT COMPONENTS (FOR AW-2,AW-2A,AW-2C)



WINDING UNIT COMPONENTS (FOR AW-2,AW-2A,AW-2C)

No.	Parts No.	Parts name	Remarks	Level	Cons	Qty
1	SM8040402TP	SCREW M4X0.7 L=4				2
2	GAW023010B0	WINDING BASE COMPL.				1
3	GAW023020A0	WINDING SLEEVE ASM.				1
4	GAW023050A0	WINDING CLUTCH ASM.				1
5	GAW02308000	WINDING PULLEY				1
6	GAW02309000	WINDING MOTOR PULLEY				1
7	GAW02310000	WINDING BELT COVER				1
8	GAW02321000	THREAD BRACKET KNIFE				1
9	GAW023220A0	THREADING PULLEY ASM.				1
10	GAW02323000	THREADING COLLAR				1
11	GAW02324000	RING BUSH				2
12	GAW02325000	THREADING MOTOR PULLEY				2
13	GAW02326000	THREADING SENSOR BRACKET				1
14	GAW02327A00	COUNTER KNIFE				1
15	GAW02328A00	COUNTER KNIFE COVER				1
16	GAW02331000	COUNTER KNIFE BASE				1
17	GAW02341000	THREADING WIPER				1
18	GAW02342000	THREADING WIPER BKT				1
19	GAW02343000A	THREADING WIPER JOINT				1
20	GAW023510A0	NOZZLE ASM.				1
21	GAW02352000	NOZZLE VACUUM				1
22	GAW023530A0	NOZZLE PULLEY ASM.				1
23	GAW02354000	NOZZLE SHAFT				1
24	CM300200001	ATTENTION SEAL				1
25	GAW02601000	TIMING BELT				1
26	GAW02603000	TIMING BELT				1
27	GAW02602000	TIMING BELT				1
28	GAW02613000	UNION				1
29	GAW02853000	MOVING KNIFE MOTOR				1
30	GAW02854000	WINDING MOTOR				1
31	GAW02856000	NOZZLE MOTOR				1
32	GAW028630A0	MOVING KNIFE SENSOR ASM.				1
33	GAW028640A0	NOZZLE SENSOR ASM.				1
34	11301405	PIN				1
35	E2131172000	PC CENTER COLLAR				2
36	GAW01507000	SPACER				2
37	SS2090640TP	SCREW				2
38	CS080081ASH	THRUST HOLDER ASM. D=8 W=8				1
39	PA1001027A0	PIN CYLINDER				1
40	PJ046039001	ELBOW				1
41	PJ304040504	ELBOW UNION				1
42	SD0550211SP	HINGE SCREW				1
43	NM6030003SC	NUT M3				2
44	NM6040001SC	NUT M4				1
45	NS6110350SP	NUT 11/64-40				1
46	RE0300000K0	E-RING 3				2
47	SL6030692TN	BOLT				3

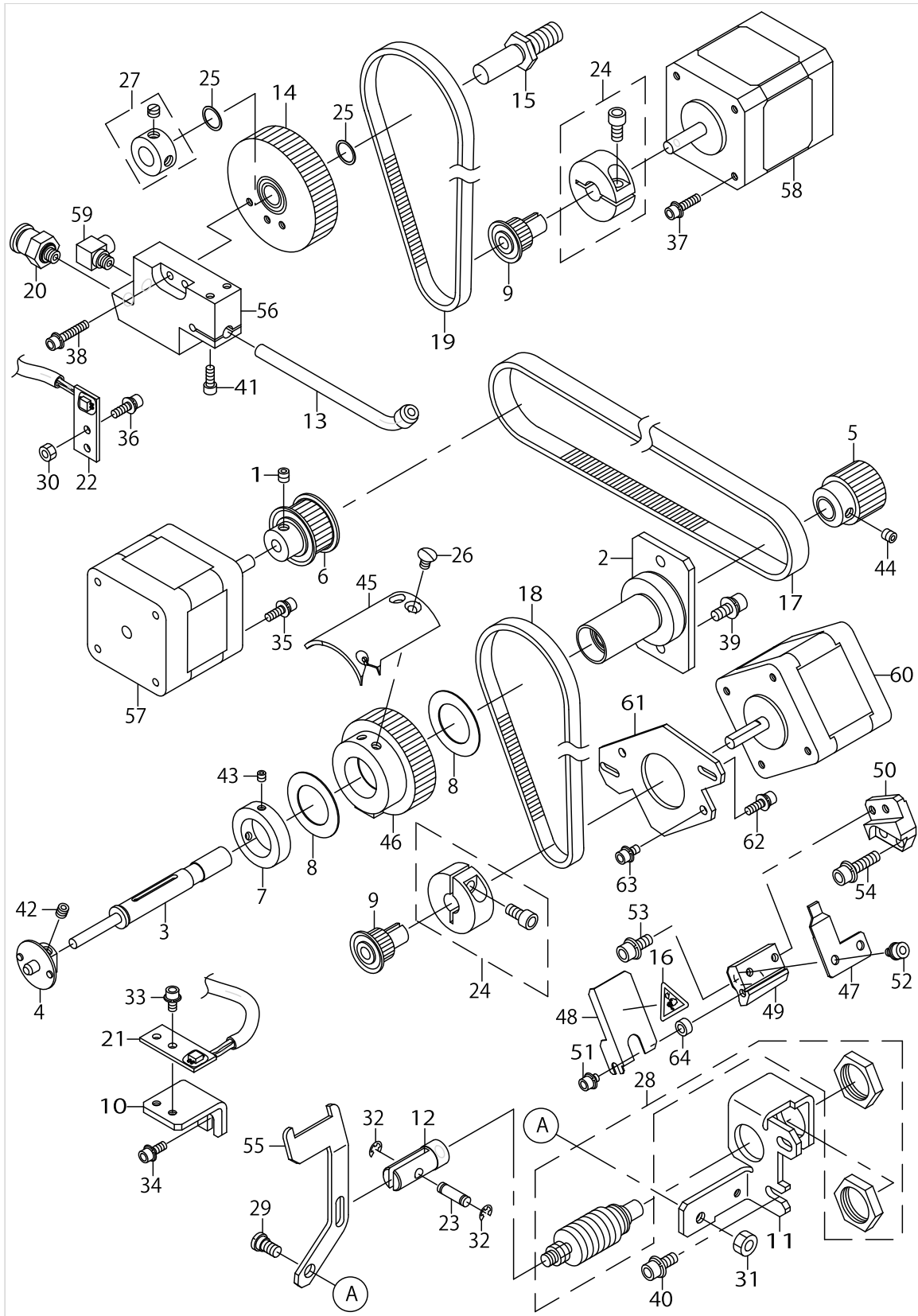
WINDING UNIT COMPONENTS (FOR AW-2,AW-2A,AW-2C)



WINDING UNIT COMPONENTS (FOR AW-2,AW-2A,AW-2C)

No.	Parts No.	Parts name	Remarks	Level	Cons	Qty
48	SL6030692TN	BOLT				2
49	SL6031092TN	SCREW				1
50	SL6030692TN	BOLT				2
51	SL6030892TN	SCREW				2
52	SL6031092TN	SCREW				3
53	SL6031092TN	SCREW				2
54	SL6030692TN	BOLT				2
55	SL6031292TN	BOLT				3
56	SL6031642TN	SCREW				2
57	SL6041092TN	SCREW				2
58	SL6041092TN	SCREW				2
59	SL6041692TN	SCREW				2
60	SM6030802TN	BOLT				2
61	SM6044002TP	SCREW				1
62	SM8040412TP	SET SCREW M4 L=4				2
63	SM8030302TP	SCREW M3X0.5 L=3				2
64	SM8040402TP	SCREW M4X0.7 L=4				2
65	GAW02330000	THREADING MOTOR BRACKET				1
66	SL6030892TN	SCREW				2
67	GAW02332000	COUNTER KNIFE HOLDER				1
68	SL6041092TN	SCREW				2
69	WP0320501SC	WASHER M3				2
70	GAW01506000	SPACER				1

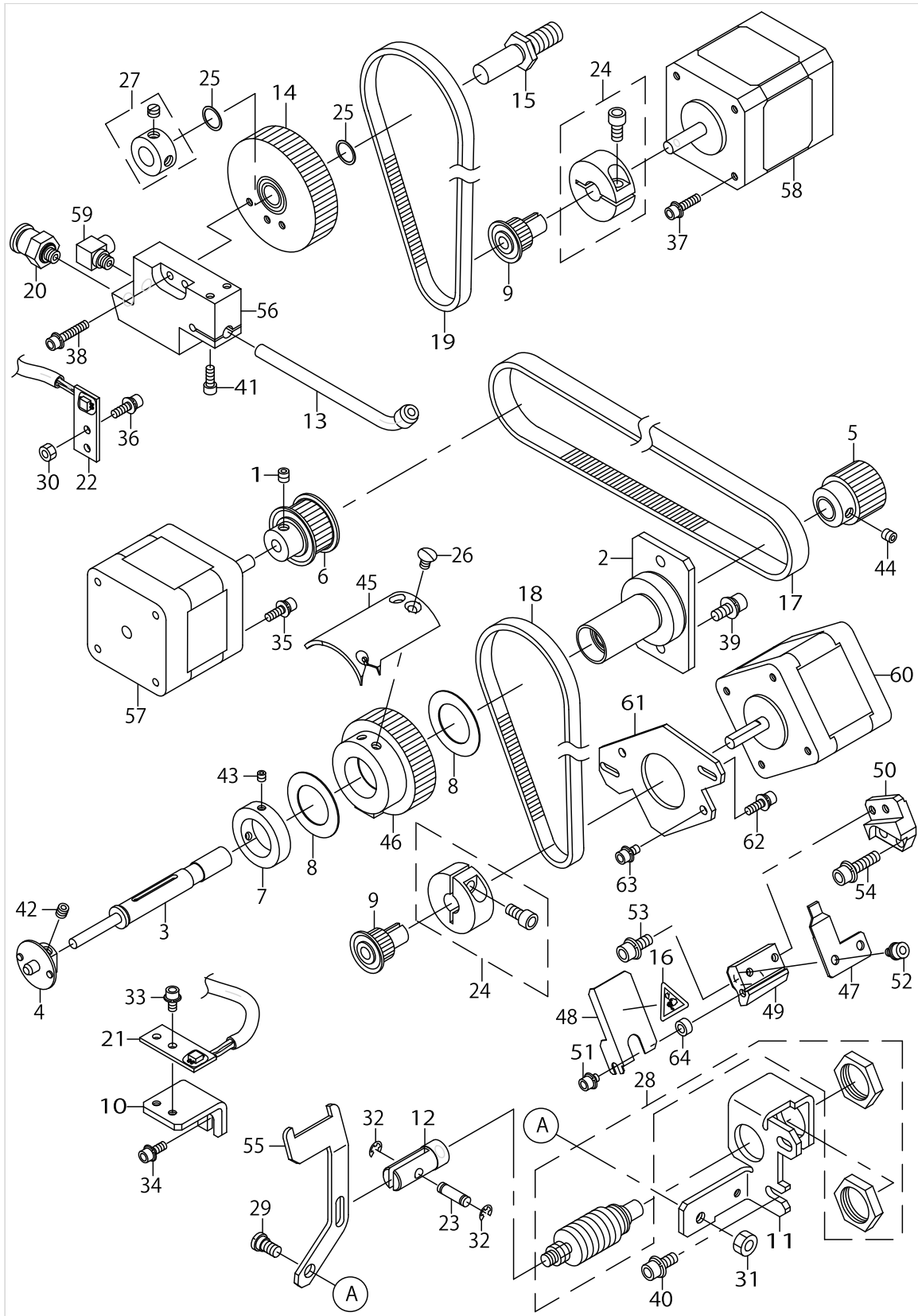
WINDING UNIT COMPONENTS (FOR AW-2D)



WINDING UNIT COMPONENTS (FOR AW-2D)

No.	Parts No.	Parts name	Remarks	Level	Cons	Qty
1	SM8040402TP	SCREW M4X0.7 L=4				2
2	GAW023010B0	WINDING BASE COMPL.				1
3	GAW023020A0	WINDING SLEEVE ASM.				1
4	GAW023050A0	WINDING CLUTCH ASM.				1
5	GAW02308000	WINDING PULLEY				1
6	GAW02309000	WINDING MOTOR PULLEY				1
7	GAW02323000	THREADING COLLAR				1
8	GAW02324000	RING BUSH				2
9	GAW02325000	THREADING MOTOR PULLEY				2
10	GAW02326000	THREADING SENSOR BRACKET				1
11	GAW02342000	THREADING WIPER BKT				1
12	GAW02343000A	THREADING WIPER JOINT				1
13	GAW023510A0	NOZZLE ASM.				1
14	GAW023530A0	NOZZLE PULLEY ASM.				1
15	GAW02354000	NOZZLE SHAFT				1
16	CM300200001	ATTENTION SEAL				1
17	GAW02601000	TIMING BELT				1
18	GAW02603000	TIMING BELT				1
19	GAW02602000	TIMING BELT				1
20	GAW02613000	UNION				1
21	GAW028630A0	MOVING KNIFE SENSOR ASM.				1
22	GAW028640A0	NOZZLE SENSOR ASM.				1
23	11301405	PIN				1
24	E2131172000	PC CENTER COLLAR				2
25	GAW01507000	SPACER				2
26	SS2090640TP	SCREW				2
27	CS080081ASH	THRUST HOLDER ASM. D=8 W=8				1
28	PA1001027A0	PIN CYLINDER				1
29	SD0550211SP	HINGE SCREW				1
30	NM6030003SC	NUT M3				2
31	NS6110350SP	NUT 11/64-40				1
32	RE0300000K0	E-RING 3				2
33	SL6030692TN	BOLT				2
34	SL6030892TN	SCREW				2
35	SL6031092TN	SCREW				3
36	SL6031092TN	SCREW				2
37	SL6031292TN	BOLT				3
38	SL6031642TN	SCREW				2
39	SL6041092TN	SCREW				2
40	SL6041092TN	SCREW				2
41	SM6030802TN	BOLT				2
42	SM8040412TP	SET SCREW M4 L=4				2
43	SM8030302TP	SCREW M3X0.5 L=3				2
44	SM8040402TP	SCREW M4X0.7 L=4				2
45	GAW02321A00	THREADING KNIFE 20				1
46	GAW02322AA0	THREADING PULLEY 20 ASM.				1
47	GAW02327A00	COUNTER KNIFE				1

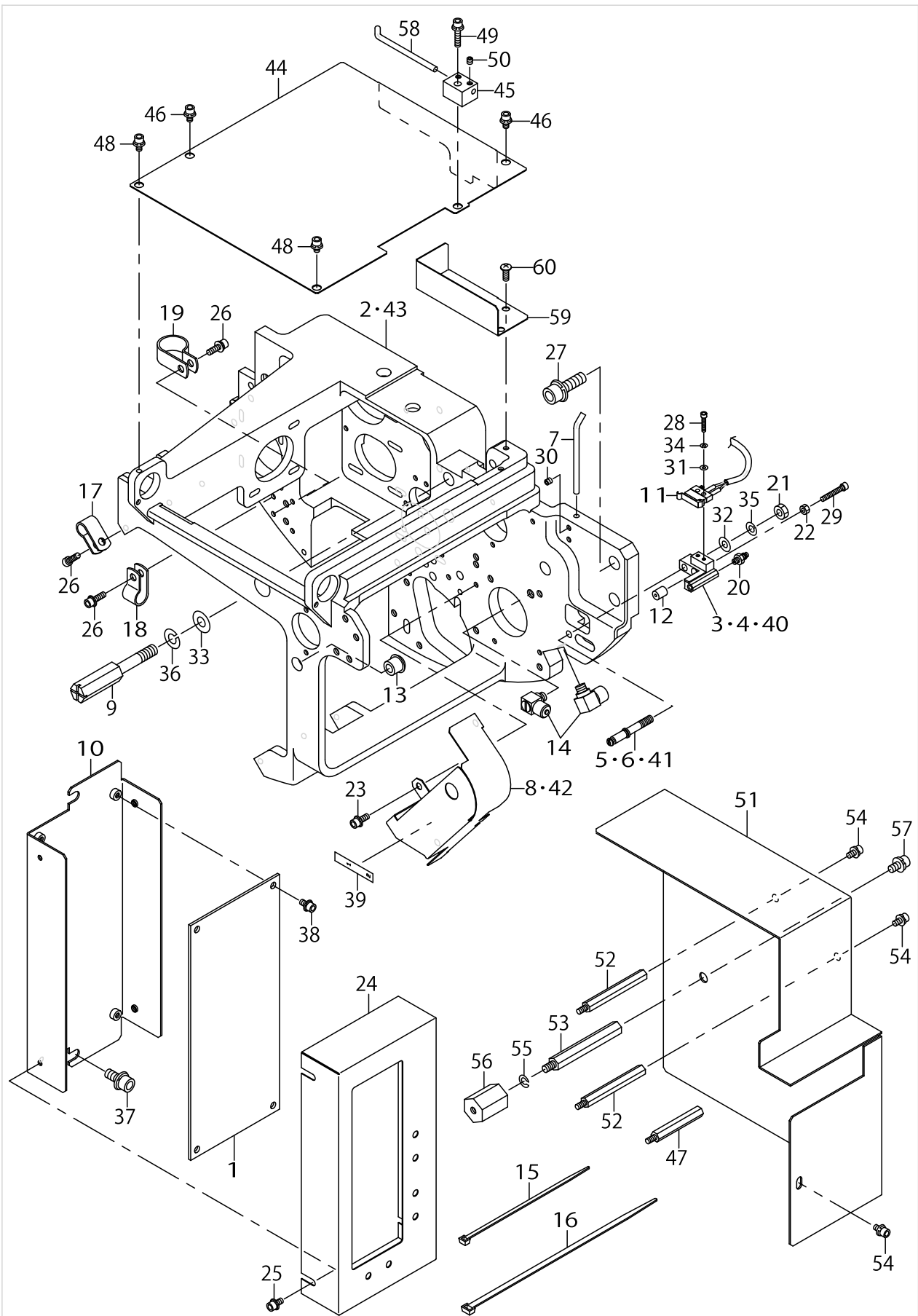
WINDING UNIT COMPONENTS (FOR AW-2D)



WINDING UNIT COMPONENTS (FOR AW-2D)

No.	Parts No.	Parts name	Remarks	Level	Cons	Qty
48	GAW02328A00	COUNTER KNIFE COVER				1
49	GAW02332000	COUNTER KNIFE HOLDER				1
50	GAW02331000	COUNTER KNIFE BASE				1
51	SL6031092TN	SCREW				1
52	SL6030692TN	BOLT				2
53	SL6041092TN	SCREW				2
54	SL6041692TN	SCREW				2
55	GAW02341A00	THREADING WIPER 20				1
56	GAW02352A00	NOZZLE VACUUM 20				1
57	GAW02854000	WINDING MOTOR				1
58	GAW02856000	NOZZLE MOTOR				1
59	PJ046052503	HOSE ELBOW				1
60	GAW02853000	MOVING KNIFE MOTOR				1
61	GAW02330000	THREADING MOTOR BRACKET				1
62	SL6030892TN	SCREW				2
63	SL6030692TN	BOLT				2
64	GAW01506000	SPACER				1

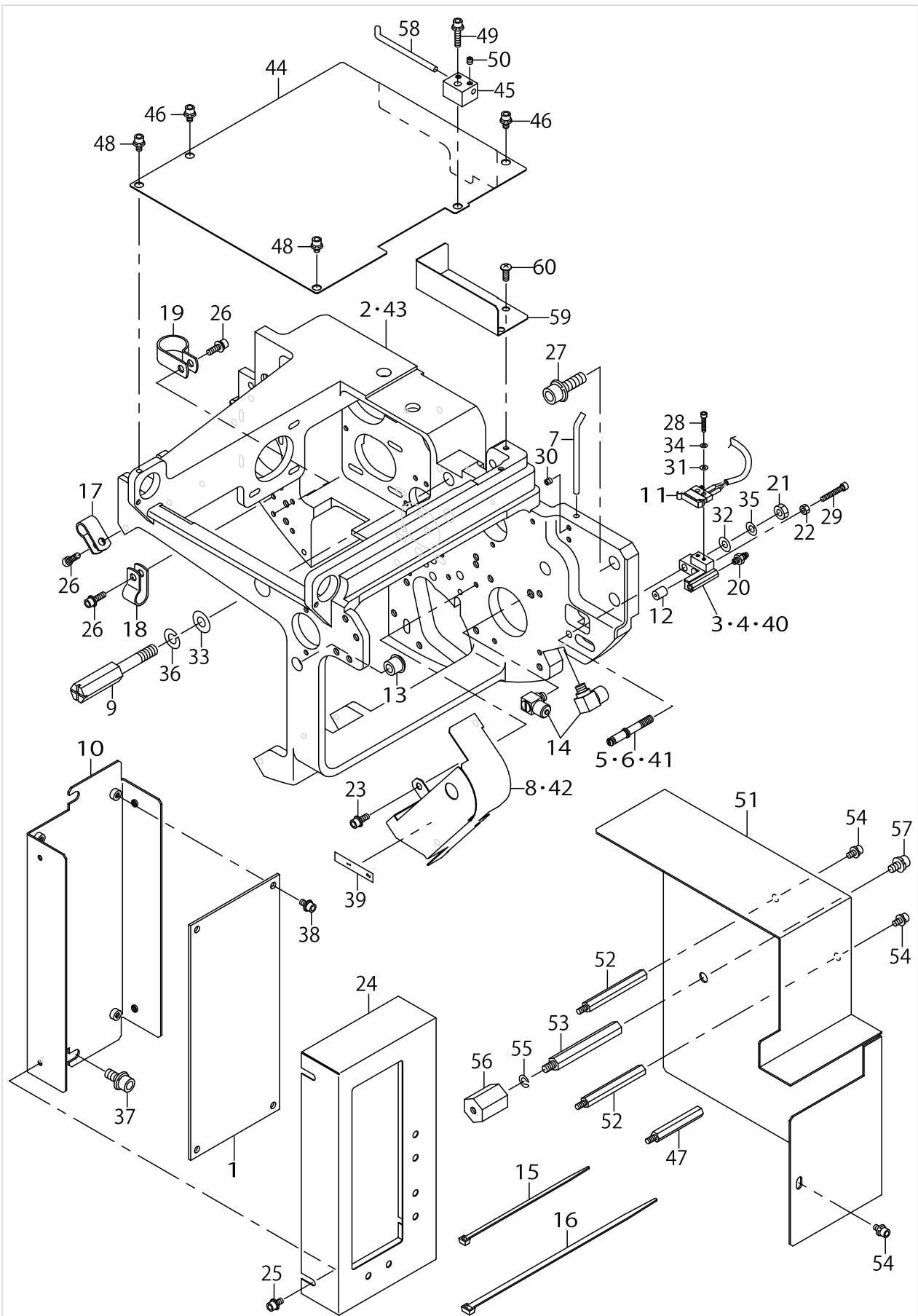
SUPPORT UNIT COMPONENTS



SUPPORT UNIT COMPONENTS

No.	Parts No.	Parts name	Remarks	Level	Cons	Qty
1	GAW028030A0	AW2 INT CIRCUIT BOARD ASM.				1
2	GAW02401A00	SUPPORT BASE				1
3	GAW02402000	DUMMY BASE 17	FOR AW-2			1
4	GAW02702000	DUMMY BASE 10	FOR AW-2A,AW-2C			1
5	GAW02403000	DUMMY SHAFT 17	FOR AW-2			1
6	GAW02703000	DUMMY SHAFT 10	FOR AW-2A,AW-2C			1
7	GAW02404000	HOOK PIPE	FOR AW-2,AW-2A,AW-2C			1
8	GAW02405000	ROTATING BELT COVER				1
9	GAW02408000	STUD				2
10	GAW02409000	CIRCUIT BOARD BASE				1
11	GAW028270A0	DUMMY SENSOR ASM.				1
12	13744909	TRIPPING LEVER, RUBBER				1
13	B1405012000	CAP	FOR AW-2,AW-2A,AW-2C			1
14	PJ046052503	HOSE ELBOW	FOR AW-2,AW-2A,AW-2C			2
15	EA9500B0100	CABLE BAND				3
16	EA9500B0200	CABLE BAND 150				5
17	HX00150000B	CABLE CLIP				1
18	HX00150000C	CABLE CLIP				1
19	HX00150000G	CABLE CLIP				1
20	PJ032039001	CONNECTOR	FOR AW-2,AW-2A,AW-2C			1
21	NM6040002SE	NUT M4X0.7				1
22	NM6850001SC	NUT M2.5				1
23	SL6030892TN	SCREW				3
24	GAW02407000	CIRCUIT BOARD COVER				1
25	SL6030692TN	BOLT				4
26	SL6031092TN	SCREW				3
27	SL6062092TN	SCREW M6 L=20				2
28	SM6021002TN	BOLT				2
29	SM6851602TN	BOLT				1
30	SM8030302TP	SCREW M3X0.5 L=3	FOR AW-2,AW-2A,AW-2C			2
31	WP0220301SC	WASHER M2				2
32	WP0430801SC	WASHER 4.3X9X0.8				1
33	WP0641601SC	WASHER				2
34	WS0210002KN	SPRING WASHER M2				2
35	WS0410002KN	SPRING WASHER				1
36	WS0610002KN	SPRING WASHER 6.1X12.2X1.5				2
37	SL6051292TN	BOLT				2
38	SL6030692TN	BOLT				4
39	GAW02357000	SEAL	FOR AW-2D			1
40	GAW02402A00	DUMMY BASE 20	FOR AW-2D			1
41	GAW02403A00	DUMMY SHAFT 30	FOR AW-2D			1
42	GAW02405A00	ROTATING BELT COVER 20	FOR AW-2D			1
43	GAW02401B00	SUPPORT BASE	FOR AW-2D			1
44	GAW02406C00	HORIZONTAL FEED BELT COVER 20	FOR AW-2D			1
45	GAW02410000	HOOK PIPE FOLDER	FOR AW-2D			1
46	SL6030692TN	BOLT	FOR AW-2D			2
47	HX00354000J	BASE SUPPORT	FOR AW-2D			2

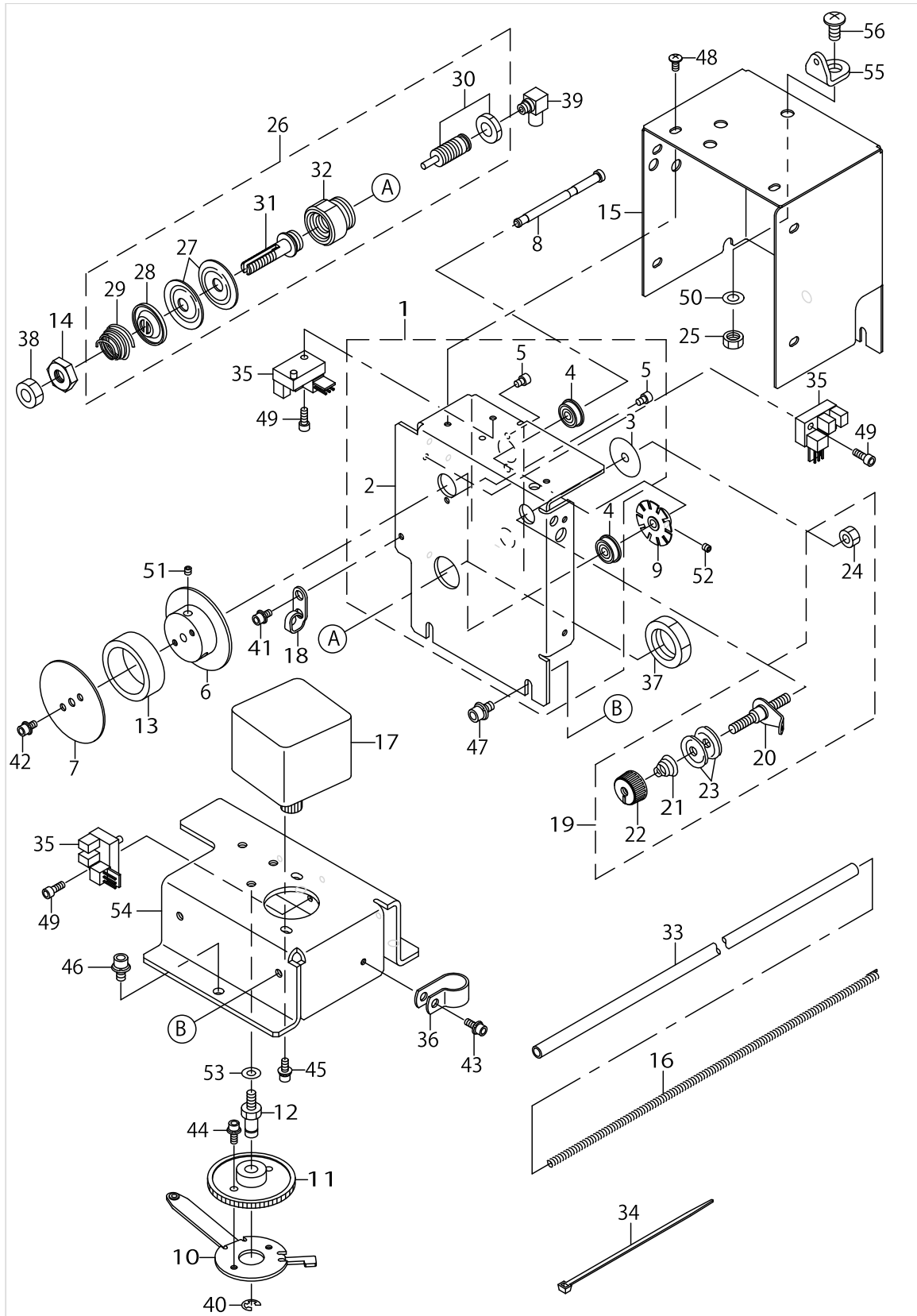
SUPPORT UNIT COMPONENTS



SUPPORT UNIT COMPONENTS

No.	Parts No.	Parts name	Remarks	Level	Cons	Qty
48	SL6030592TN	SCREW M3 L=5	FOR AW-2D			2
49	SL6031492TN	SCREW	FOR AW-2D			1
50	SM8030302TP	SCREW M3X0.5 L=3	FOR AW-2D			2
51	GAW02411000	REAR COVER	FOR AW-2D			1
52	GAW02622000	HEXAGON STUD	FOR AW-2D			2
53	E6804715000	VCS STUD B	FOR AW-2D			1
54	SL6030692TN	BOLT	FOR AW-2D			3
55	WS0410002KN	SPRING WASHER	FOR AW-2D			1
56	HX00337000A	SPACER	FOR AW-2D			1
57	SL6040892TN	BOLT	FOR AW-2D			1
58	GAW02404000	HOOK PIPE	FOR AW-2D			1
59	GAW02406000	HORIZONTAL FEED BELT COVER 17	FOR AW-2			1
60	SM0030801SC	SCREW M3 X 8	FOR AW-2			2

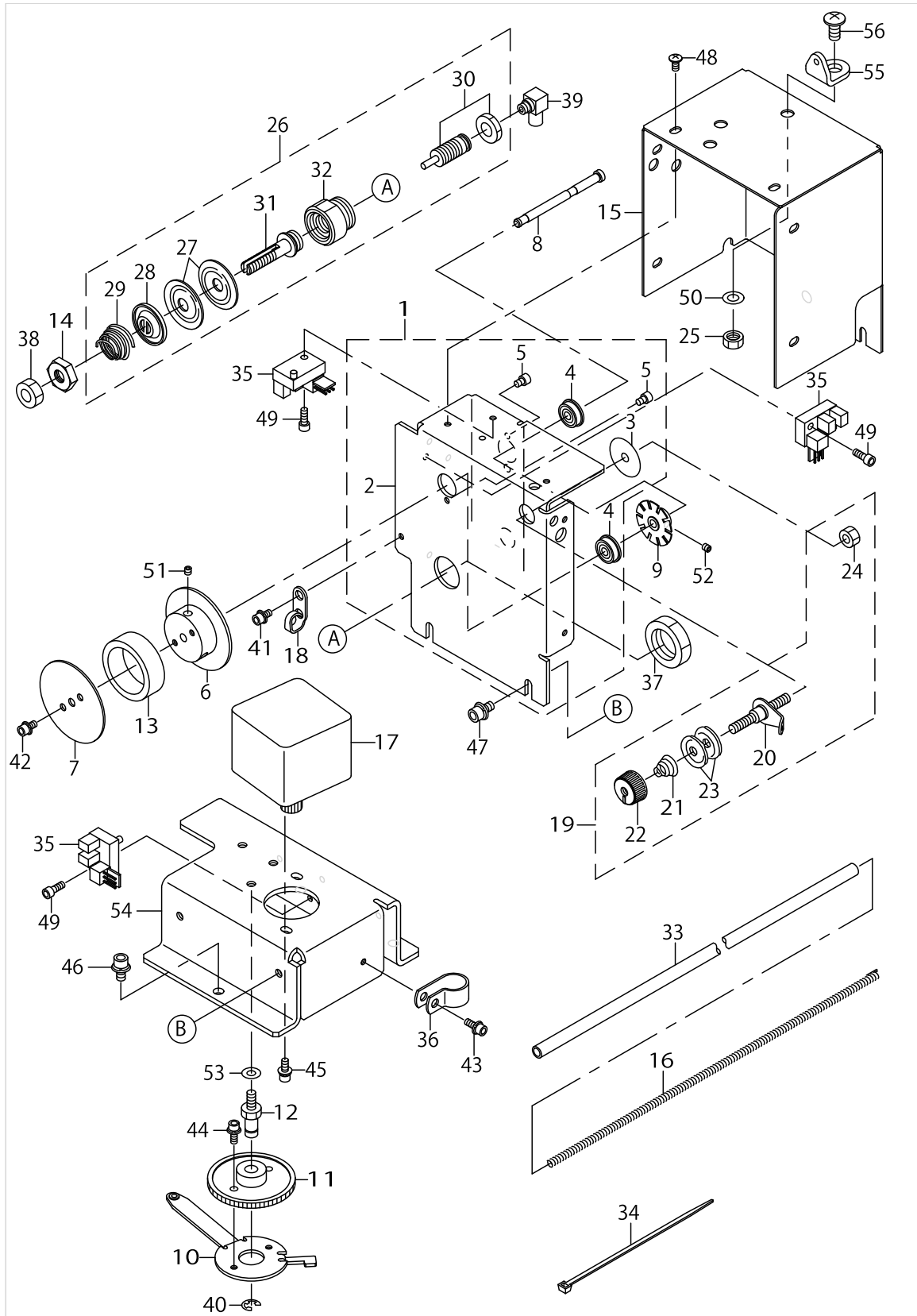
THREAD MEASURING UNIT COMPONENTS (FOR AW-2,AW-2A,AW-2C)



THREAD MEASURING UNIT COMPONENTS (FOR AW-2,AW-2A,AW-2C)

No.	Parts No.	Parts name	Remarks	Level	Cons	Qty
1	GAW023610A0	THREAD MEASURING BASE A ASM.				1
2	GAW02361000	THREAD MEASURING BASE A		*		1
3	WP0451016SP	WASHER 4.5X20X1		*		1
4	SB104001500	BEARING		*		2
5	SM6030402TN	BOLT M3X4		*		2
6	GAW02363000	THREAD MEASURING ROLLER SLEEVE				1
7	GAW02364000	THREAD MEASURING FLANGE				1
8	GAW02365000	THREAD MEASURING SHAFT				1
9	GAW023660A0	SENSOR SLIT ASM.				1
10	GAW023680A0	THREAD MEASURING ARM ASM.				1
11	GAW02369000	THREAD MEASURING GEAR				1
12	GAW02370000	THREAD MEASURING ARM PIN				1
13	GAW01248000	KU ROLLER				1
14	GAW02372000	SP HOLDER(1/4)				1
15	GAW02373000	THREAD MEASURING COVER				1
16	GAW02374000	TUBE GUARD				1
17	GAW028170A0	THREAD MEASURING MOTOR ASM.				1
18	11018603	ARM THREAD GUIDE B				1
19	23636657	BOBBIN THREAD TENSION ASM.				1
20	14113450	BOBBIN THREAD TENSION ROD ASM.		*		1
21	D7133555B00	CONNECTING ROD SPRING		*		1
22	11072402	THREAD TENSION NUT		*		1
23	B3126012000	THREAD TENSION DISK		*		2
24	NS6110530SP	NUT 11/64-40		*		1
25	NM6050001SC	NUT M5				1
26	G23013090A0	THREAD TENSION ASM.				1
27	B3126012000	THREAD TENSION DISK		*		2
28	B3132552000	THREAD TENSION DISK PRESSER		*		1
29	B3121352000	TENSION SPRING		*		1
30	PA0600504A0	AIR CYLINDER		*		1
31	G2301309000	THREAD TENSION ROD		*		1
32	G2302309000	THREAD TENSION ROD BASE		*		1
33	BT0600401EB	TUBE				0.92
34	EA9500B0100	CABLE BAND				2
35	HD00057000A	PHOTO SENSOR				3
36	HX00150000E	CORD PRESSER 3-POLE (220/240V)				1
37	NM6160511SE	NUT M16X1.5				1
38	NS6110420SP	NUT 11/64-40				1
39	PJ046052503	HOSE ELBOW				1
40	RE0400000K0	E-RING 4				1
41	SL6030692TN	BOLT				1
42	SL6030692TN	BOLT				2
43	SL6030892TN	SCREW				1
44	SL6030892TN	SCREW				2
45	SL6030892TN	SCREW				2
46	SL6040892TN	BOLT				3
47	SL6040892TN	BOLT				4

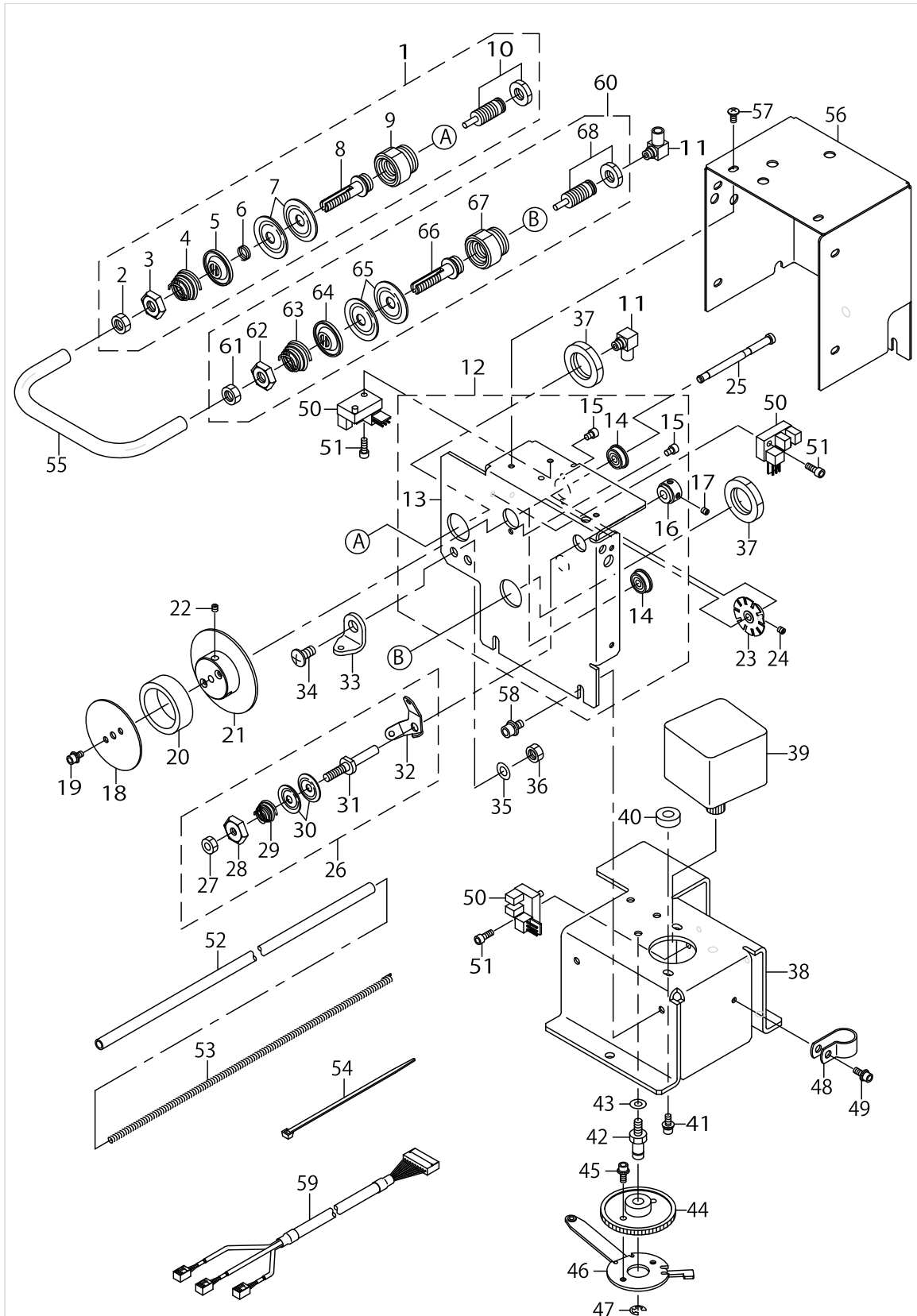
THREAD MEASURING UNIT COMPONENTS (FOR AW-2,AW-2A,AW-2C)



THREAD MEASURING UNIT COMPONENTS (FOR AW-2,AW-2A,AW-2C)

No.	Parts No.	Parts name	Remarks	Level	Cons	Qty
48	SM0030601SC	SCREW M3X0.5 L=6				7
49	SM6030802TN	BOLT				3
50	WP0531001SC	WASHER				1
51	SM8030302TP	SCREW M3X0.5 L=3				2
52	SM8030302TP	SCREW M3X0.5 L=3				2
53	WP0430801SC	WASHER 4.3X9X0.8				1
54	GAW02362000	THREAD MEASURING BASE B				1
55	13786306	THREAD GUIDE NO.1				1
56	SM0051001SC	SCREW				1

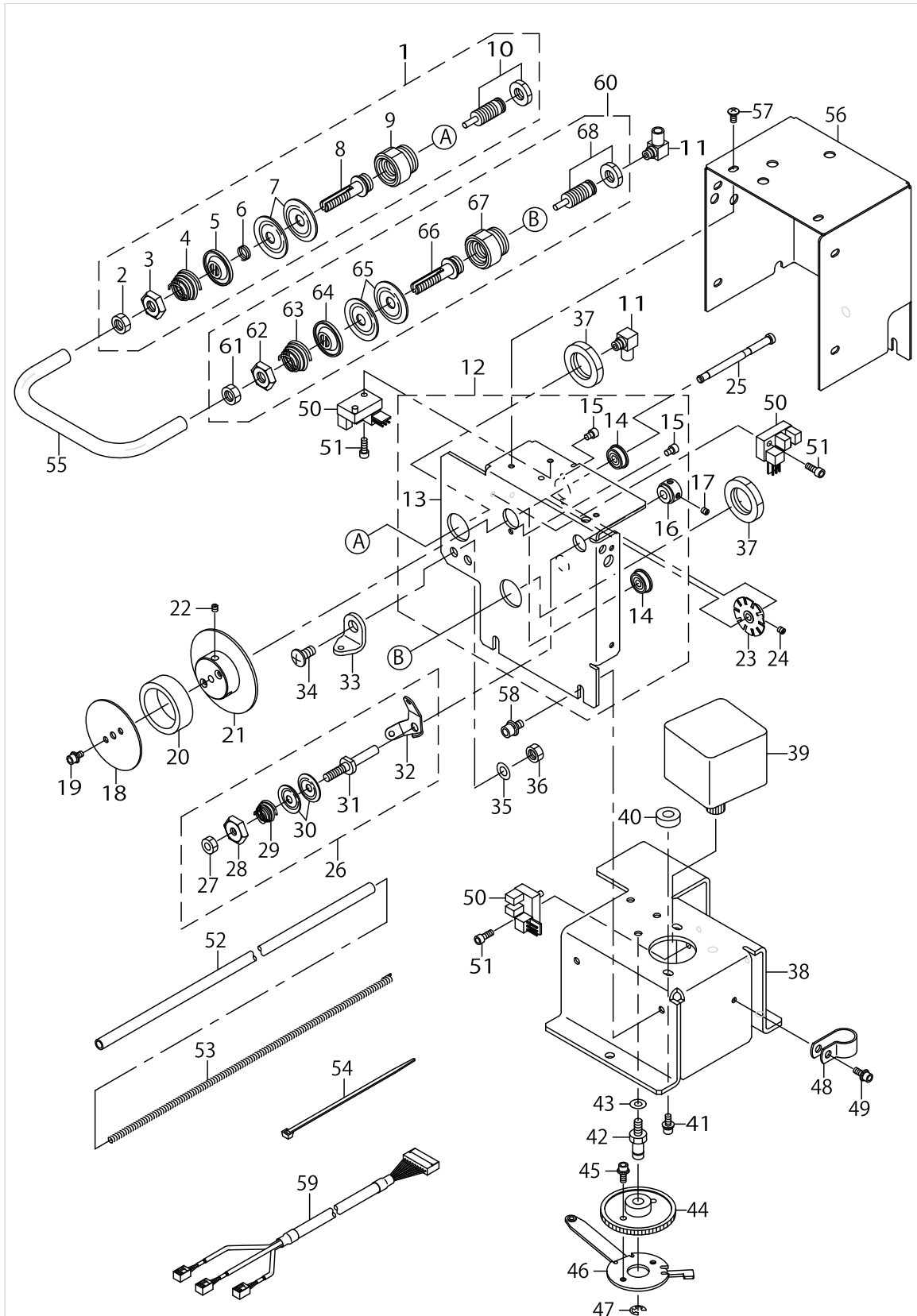
THREAD MEASURING UNIT COMPONENTS (FOR AW-2D)



THREAD MEASURING UNIT COMPONENTS (FOR AW-2D)

No.	Parts No.	Parts name	Remarks	Level	Cons	Qty
1	GAW023720A0	THIRD THREAD TENSION ASM.				1
2	NS6660430SP	NUT 1/4-40		*		1
3	GAW02372000	SP HOLDER(1/4)		*		1
4	D3129555D00	THREAD TENSION SPRING		*		1
5	B3132552000	THREAD TENSION DISK PRESSER		*		1
6	D2304212T0T	IDLING PREVENTION SPRING		*		1
7	B3126012000	THREAD TENSION DISK		*		2
8	G2301309000	THREAD TENSION ROD		*		1
9	G2302309000	THREAD TENSION ROD BASE		*		1
10	PA0600504A0	AIR CYLINDER		*		1
11	PJ046052503	HOSE ELBOW				2
12	GAW02361AA0	THREAD MEASURING BASE A ASM.				1
13	GAW02361A00	THREAD MEASURING BASE A		*		1
14	SB104001500	BEARING		*		2
15	SM6030402TN	BOLT M3X4		*		2
16	GAW01246000	KU SLEEVE		*		1
17	SM8030312TP	SCREW M3 L=3				2
18	GAW02364A00	THREAD MEASURING FLANGE				1
19	SL6030692TN	BOLT				2
20	GAW01248000	KU ROLLER				1
21	GAW02363A00	THREAD MEASURING ROLLER SLEEVE				1
22	SM8030312TP	SCREW M3 L=3				2
23	GAW023660A0	SENSOR SLIT ASM.				1
24	SM8030312TP	SCREW M3 L=3				2
25	GAW02365000	THREAD MEASURING SHAFT				1
26	GAW023710A0	FIRST THREAD TENSION ASM.				1
27	NS6110420SP	NUT 11/64-40		*		1
28	GAW02371000	SP HOLDER(11/64)		*		1
29	11045101	THREAD TENSION SPRING		*		1
30	B3126012000	THREAD TENSION DISK		*		2
31	11045002	FIRST TENSION POST		*		1
32	11045200	THREAD TENSION GUIDE		*		1
33	13786306	THREAD GUIDE NO.1				1
34	SM0051001SC	SCREW				1
35	WP0531001SC	WASHER				1
36	NM6050001SC	NUT M5				1
37	NM6160511SE	NUT M16X1.5				2
38	GAW02362A00	THREAD MEASURING BASE B				1
39	GAW028170A0	THREAD MEASURING MOTOR ASM.				1
40	13507405	ROLLER				2
41	SL6031292TN	BOLT				2
42	GAW02370000	THREAD MEASURING ARM PIN				1
43	WP0430801SC	WASHER 4.3X9X0.8				1
44	GAW02369000	THREAD MEASURING GEAR				1
45	SL6030892TN	SCREW				2
46	GAW023680A0	THREAD MEASURING ARM ASM.				1
47	RE0400000K0	E-RING 4				1

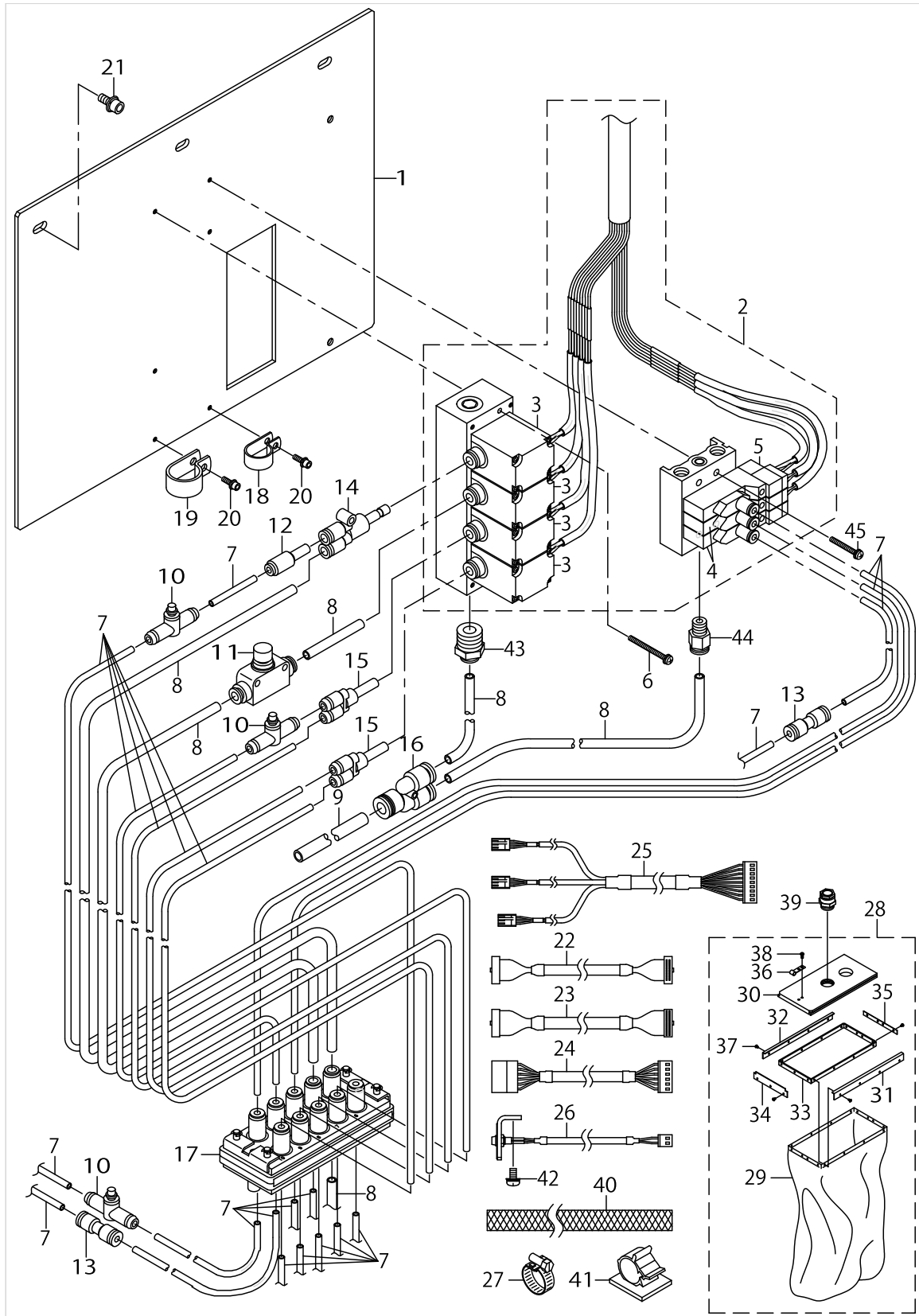
THREAD MEASURING UNIT COMPONENTS (FOR AW-2D)



THREAD MEASURING UNIT COMPONENTS (FOR AW-2D)

No.	Parts No.	Parts name	Remarks	Level	Cons	Qty
48	HX00150000E	CORD PRESSER 3-POLE (220/240V)				1
49	SL6030892TN	SCREW				1
50	HD00057000A	PHOTO SENSOR				3
51	SM6030802TN	BOLT				3
52	BT0600401EB	TUBE				0.92
53	GAW02374000	TUBE GUARD				1
54	EA9500B0100	CABLE BAND				4
55	BT0800501EB	VINYL TUBE				0.1
56	GAW02373000	THREAD MEASURING COVER				1
57	SM0030601SC	SCREW M3X0.5 L=6				5
58	SL6040892TN	BOLT				4
59	GAW02767DA0	SENSOR RELAY CORD ASM.				1
60	GAW02372AA0	SECOND THREAD TENSION ASM.				1
61	NS6660430SP	NUT 1/4-40		*		1
62	GAW02372000	SP HOLDER(1/4)		*		1
63	D3129555D00	THREAD TENSION SPRING		*		1
64	B3132552000	THREAD TENSION DISK PRESSER		*		1
65	B3126012000	THREAD TENSION DISK		*		2
66	G2301309000	THREAD TENSION ROD		*		1
67	G2302309000	THREAD TENSION ROD BASE		*		1
68	PA0600504A0	AIR CYLINDER		*		1

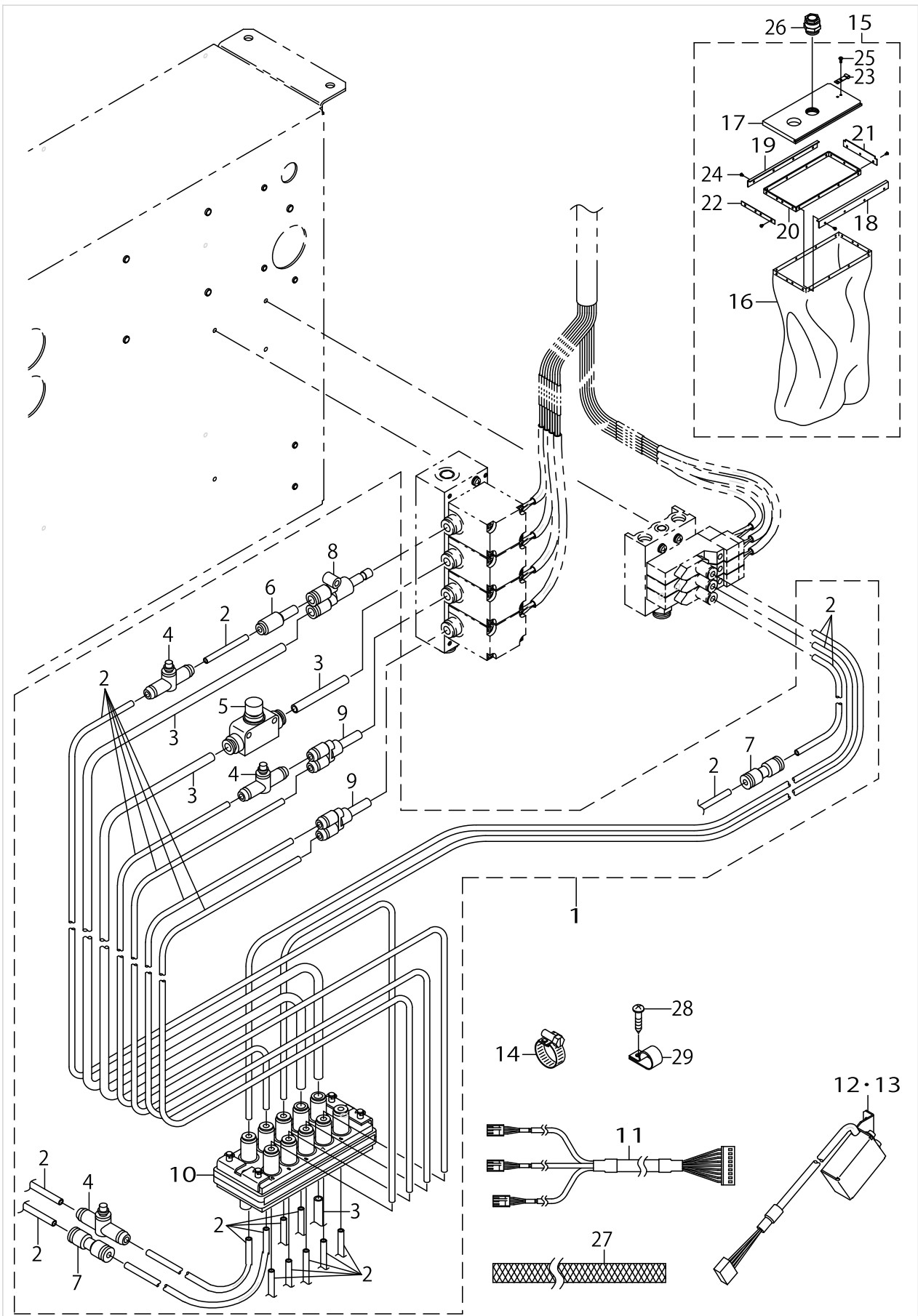
HOUSING COMPONENTS (FOR AW-2)



HOUSING COMPONENTS (FOR AW-2)

No.	Parts No.	Parts name	Remarks	Level	Cons	Qty
1	GAW02521000	SOLENOID VALVE PLATE				1
2	GAW028410A0	SOLENOID VALVE ASM.				1
3	PV120203000	2 PORT SOLENOID VALVE		*		4
4	PV130204100	3 PORT SOLENOID VALVE		*		2
5	PV130204000	3 PORT SOLENOID VALVE		*		1
6	SL4033591SC	SCREW M3X35				2
7	BT0400251EB	URETHANE HOSE, BLACK				15
8	BT0600401EB	TUBE				2.27
9	BT0800501EB	VINYL TUBE				0.15
10	PC012406000	SPEED CONTROLLER				3
11	PC012601000	SPEED CONTROLLER				1
12	PJ301040001	REDUCER				1
13	PJ303040002	STRAIGHT UNION				2
14	PJ308060004	Y UNION				1
15	PJ308060006	SPECIAL FORM BRANCH UNION Y				2
16	PJ308080001	UNION, Y				1
17	PJ4010008A0	MULTI CONNECTOR				1
18	HX00150000H	CABLE CLIP				1
19	HX00150000K	CABLE CLIP				1
20	SL6031092TN	SCREW				2
21	SL6051292TN	BOLT				3
22	GAW028330A0	CPU-INT CONNECTING CORD ASM.				1
23	GAW028340A0	DRV-INT CONNECTING CORD ASM.				1
24	GAW028360A0	THREAD MEASURING MOTOR CORD				1
25	GAW028370A0	THREAD MEASURING SENSOR CORD				1
26	GAW028380A0	LED ASM.				1
27	16121907	HOSE BAND				1
28	F10010030B0	FILTER ASM.				1
29	F1001003000	FILTER CLOTH		*		1
30	G5210120000	FILTER TOP COVER		*		1
31	F1005003000	RAIL FRAME A		*		1
32	F1006003000	RAIL FRAME B		*		1
33	F1007003000	INNER FRAME		*		1
34	F1008003000	STOPPER FRAME		*		1
35	F1009003000	END FRAME		*		1
36	F1010003000	SPRING		*		1
37	SM4030501SB	SCREW M3 L=5		*		15
38	SM4041001SB	SCREW M4 L=10		*		2
39	F1004003000	PIPE GRIP				1
40	BT1601001Z0	TUBE				1
41	E9609603000	STICKER (LARGE)				3
42	SL4051091SC	SCREW M5X0.8 L=10				2
43	PJ210006200	HALF UNION				1
44	PJ301065103	HALF UNION 6XPT1/8				1
45	SL4032591SC	SCREW M3X25				2

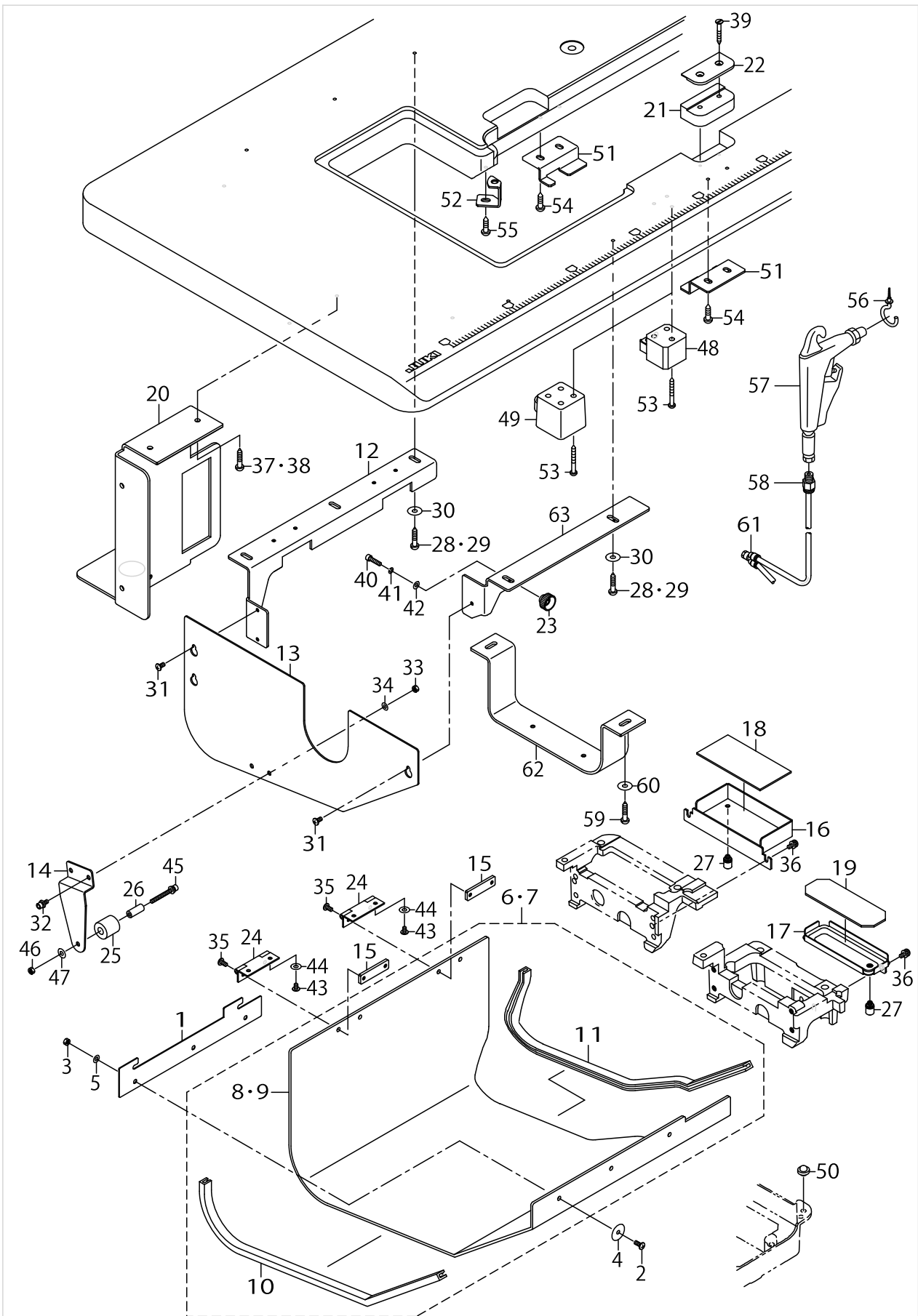
HOUSING COMPONENTS (1) (FOR AW-2A,AW-2C)



HOUSING COMPONENTS (1) (FOR AW-2A,AW-2C)

No.	Parts No.	Parts name	Remarks	Level	Cons	Qty
1	GAW02006AA0	PNEUMATIC ASM.				1
2	BT0400251EB	URETHANE HOSE, BLACK		*		14.7
3	BT0600401EB	TUBE		*		2.27
4	PC012406000	SPEED CONTROLLER		*		3
5	PC012601000	SPEED CONTROLLER		*		1
6	PJ301040001	REDUCER		*		1
7	PJ303040002	STRAIGHT UNION		*		2
8	PJ308060004	Y UNION		*		1
9	PJ308060006	SPECIAL FORM BRANCH UNION Y		*		2
10	PJ4010008A0	MULTI CONNECTOR		*		1
11	GAW02767AA0	THREAD MEASURING SENSOR CORD				1
12	GAW02775AA0	FACE LED ASM.	FOR AW-2A			1
13	GAW02775CA0	FACE LED ASM.	FOR AW-2C			1
14	16121907	HOSE BAND				1
15	F10010030B0	FILTER ASM.				1
16	F1001003000	FILTER CLOTH		*		1
17	G5210120000	FILTER TOP COVER		*		1
18	F1005003000	RAIL FRAME A		*		1
19	F1006003000	RAIL FRAME B		*		1
20	F1007003000	INNER FRAME		*		1
21	F1008003000	STOPPER FRAME		*		1
22	F1009003000	END FRAME		*		1
23	F1010003000	SPRING		*		1
24	SM4030501SB	SCREW M3 L=5		*		15
25	SM4041001SB	SCREW M4 L=10		*		2
26	F1004003000	PIPE GRIP				1
27	BT1601001Z0	TUBE				1
28	SK3412001SE	WOOD SCREW D=4.1 L=20				3
29	EA9502B0400	CABLE CLIP E				3

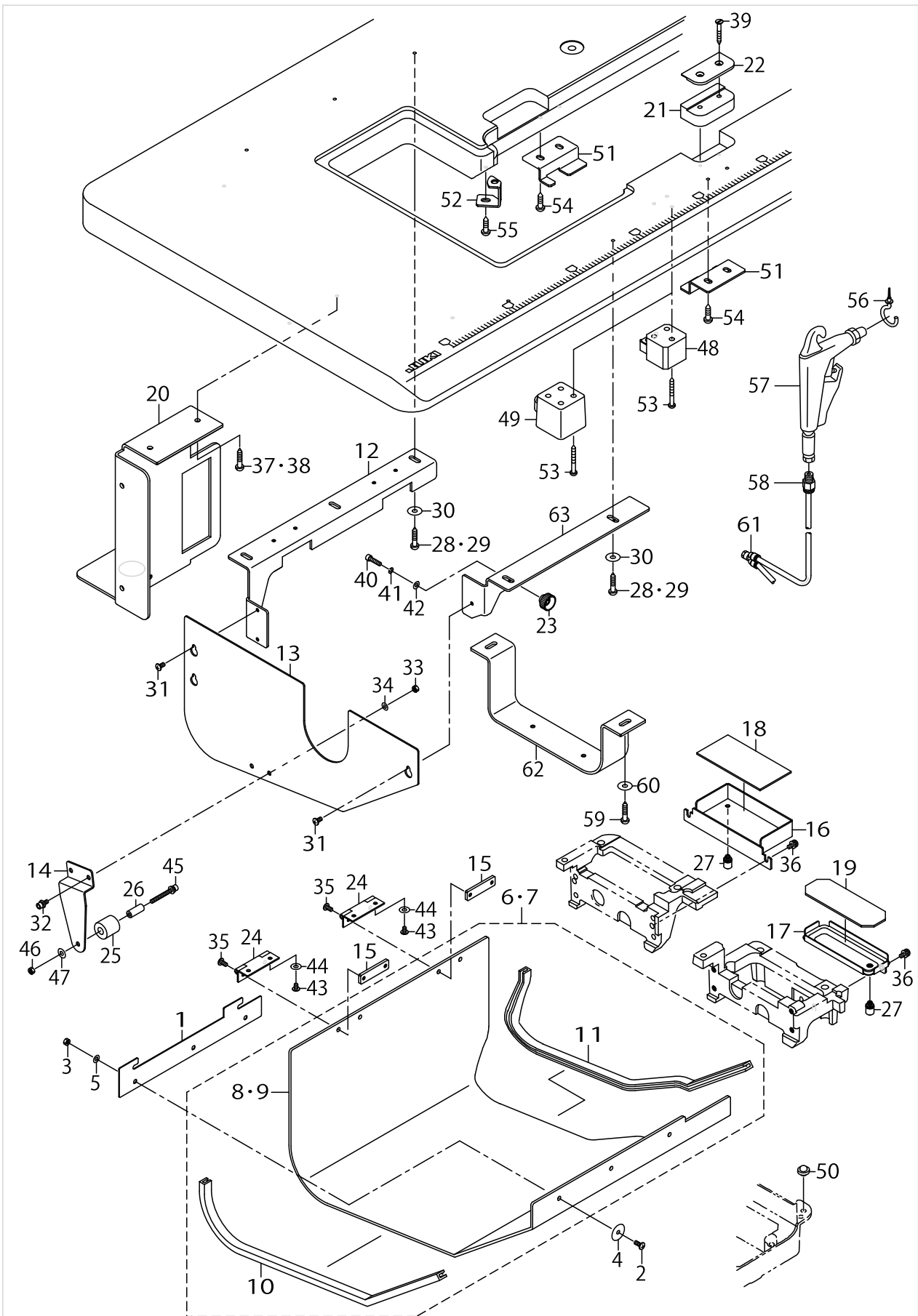
HOUSING COMPONENTS (2) (FOR AW-2A,AW-2C)



HOUSING COMPONENTS (2) (FOR AW-2A,AW-2C)

No.	Parts No.	Parts name	Remarks	Level	Cons	Qty
1	GAW02566000	BOTTOM COVER HOOK				1
2	SM0041001SC	SCREW M4 L=10				3
3	NM6040001SC	NUT M4				3
4	WP0451016SP	WASHER 4.5X20X1				3
5	WP0430801SC	WASHER 4.3X9X0.8				3
6	40056513	BOTTOM COVER A ASM.	FOR AW-2A			1
7	40056515	BOTTOM COVER C ASM.	FOR AW-2C			1
8	40056512	BOTTOM COVER A	FOR AW-2A	*		1
9	40056514	BOTTOM COVER C	FOR AW-2C	*		1
10	GAW02563000	EDGE BUSH		*		1
11	40056692	EDGE BUSH B		*		1
12	GAW02553000	BOTTOM COVER FITTING PLATE R				1
13	GAW02554000	DOUSER				1
14	GAW02555000	STOPPER FITTING PLATE				1
15	GAW02556000	BOTTOM COVER FIXING PLATE				2
16	GAW02557000	OIL RESERVOIR	FOR AW-2A			1
17	GAW02557A00	OIL RESERVOIR	FOR AW-2C			1
18	GAW02558000	OIL RESERVOIR FELT	FOR AW-2A			1
19	GAW02558A00	OIL RESERVOIR FELT	FOR AW-2C			1
20	GAW02559000	DUST BAG FITTING PLATE				1
21	GAW02560000	BED FIXING RUBBER				1
22	GAW02561000	BED FIXING RUBBER PRESSER				1
23	G6036870000	POCKET PRESSER KNOB				2
24	G8010880000	GARMENT LAYING BASE HINGE				2
25	40084116	RUBBER DAMPER				1
26	11244019	STOPPER COLLAR				1
27	PJ032054001	HOSE NIPPLE				1
28	SK3482501SE	WOOD SCREW D=4.8 L=25	FOR AW-2A			5
29	SK3482501SE	WOOD SCREW D=4.8 L=25	FOR AW-2C			5
30	WP0553216SD	WASHER				5
31	SM0040801SC	SCREW				3
32	SL6041092TN	SCREW				2
33	NM6040001SC	NUT M4				2
34	WP0430801SC	WASHER 4.3X9X0.8				2
35	SM0040801SC	SCREW				4
36	SL4041091SC	SCREW M4 L=10				2
37	SK3482501SE	WOOD SCREW D=4.8 L=25	FOR AW-2A			2
38	SK3482501SE	WOOD SCREW D=4.8 L=25	FOR AW-2C			2
39	SK1413200SC	WOOD SCREW D=4.1 L=32				2
40	SM6041602TN	SCREW M4 X 16				2
41	WS0410002KN	SPRING WASHER				2
42	WP0430801SC	WASHER 4.3X9X0.8				2
43	SM0040601SC	SCREW M4X0.7 L=6				4
44	WP0482086SD	WASHER 4.8X11.5X2				4
45	SL6043592TN	SCREW				1
46	NM6040001SC	NUT M4				1
47	WP0482086SD	WASHER 4.8X11.5X2				2

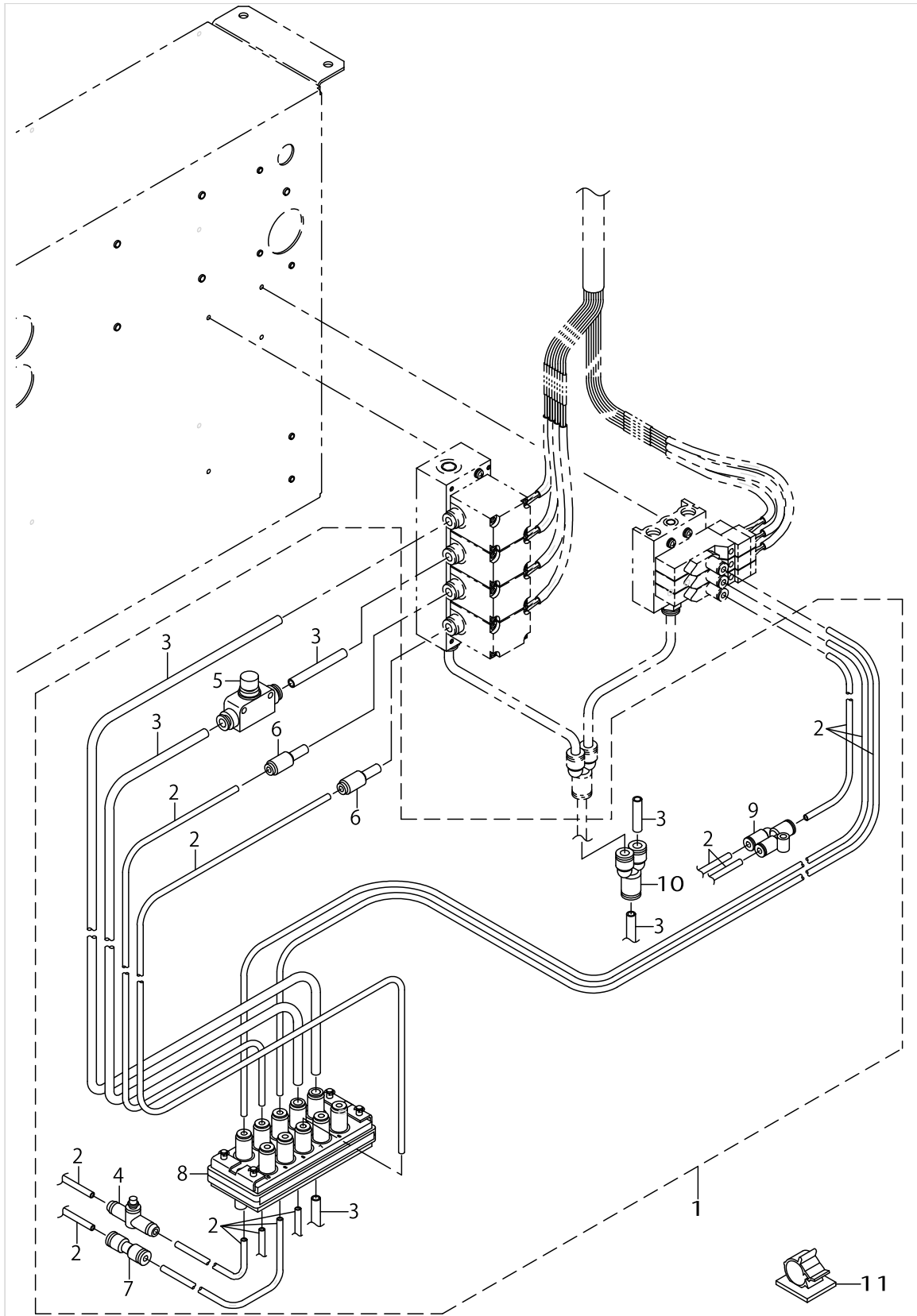
HOUSING COMPONENTS (2) (FOR AW-2A,AW-2C)



HOUSING COMPONENTS (2) (FOR AW-2A,AW-2C)

No.	Parts No.	Parts name	Remarks	Level	Cons	Qty
48	GAW02711000	TABLE BRACKET	FOR AW-2A			1
49	GAW02711A00	TABLE BRACKET	FOR AW-2C			1
50	11047107	RUBBER CUSHION				2
51	GAW01401000	OIL RESERVOIR TANK BRACKET	FOR AW-2A			2
52	GAW01402000	BED CORNER BRACKET				1
53	SK3514001SE	SCREW D=5.1 L=40				3
54	SK3512001SE	WOOD SCREW D=5.1 L=20				4
55	SK3512001SE	WOOD SCREW D=5.1 L=20	FOR AW-2A			1
56	MAT81163T00	CORD HOLDER				1
57	16111403	AIR GUN				1
58	PJ301065103	HALF UNION 6XPT1/8				1
59	SK3482501SE	WOOD SCREW D=4.8 L=25	FOR AW-2C			2
60	WP0553216SD	WASHER	FOR AW-2C			2
61	PJ308060004	Y UNION				1
62	GAW02565000	UNDER COVER FIXING PLATE	FOR AW-2C			1
63	GAW02552000	BOTTOM COVER FITTING PLATE F				1

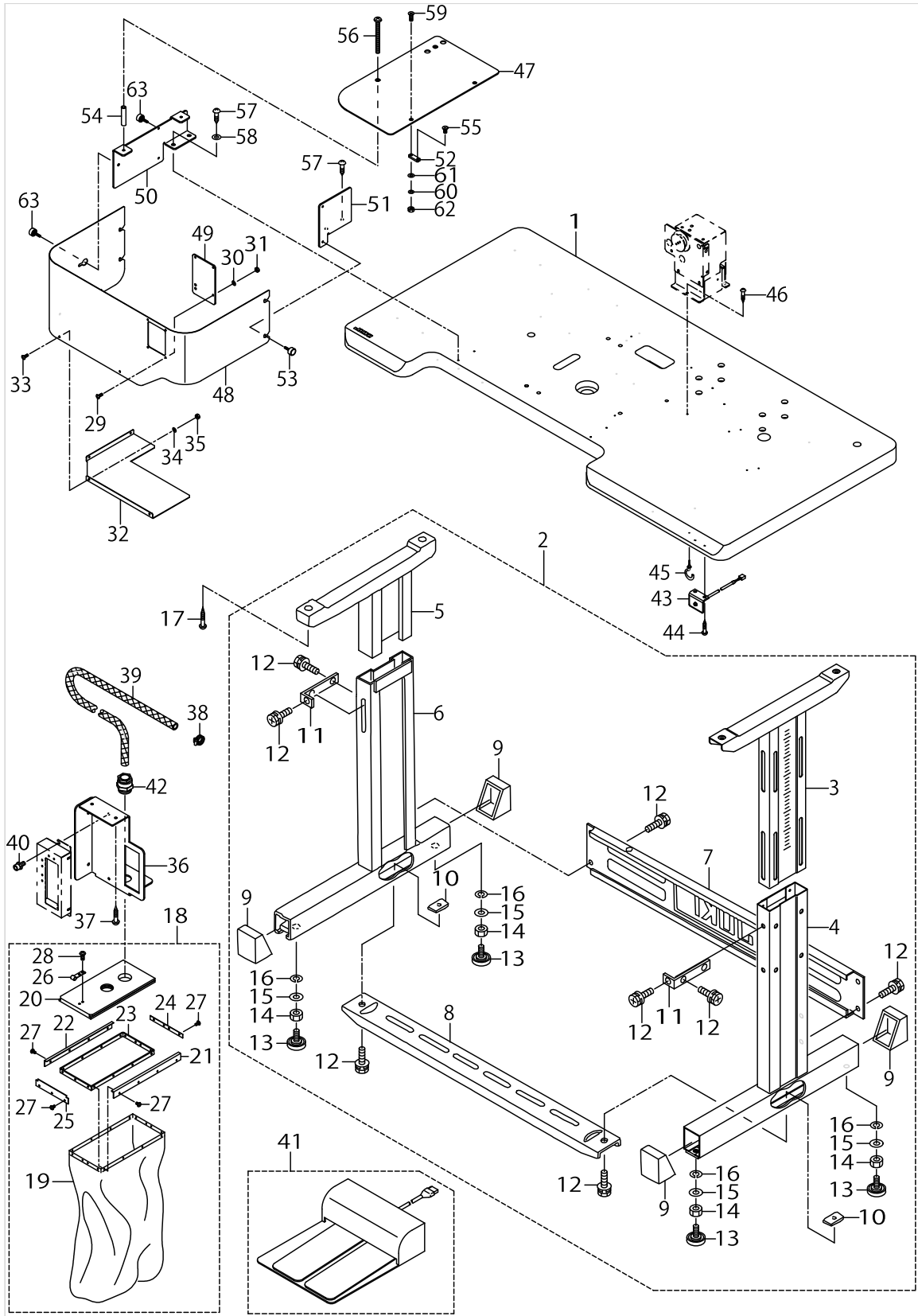
HOUSING COMPONENTS (1) (FOR AW-2D)



HOUSING COMPONENTS (1) (FOR AW-2D)

No.	Parts No.	Parts name	Remarks	Level	Cons	Qty
1	GAW02006BA0	PNEUMATIC ASM.				1
2	BT0400251EB	URETHANE HOSE, BLACK		*		13.2
3	BT0600401EB	TUBE		*		3
4	PC012406000	SPEED CONTROLLER		*		1
5	PC012601000	SPEED CONTROLLER		*		1
6	PJ301040001	REDUCER		*		2
7	PJ303040002	STRAIGHT UNION		*		1
8	PJ4010008A0	MULTI CONNECTOR		*		1
9	PJ308040002	QUICK COUPLING		*		1
10	PJ308060001	UNION, Y		*		1
11	E9609603000	STICKER (LARGE)				3

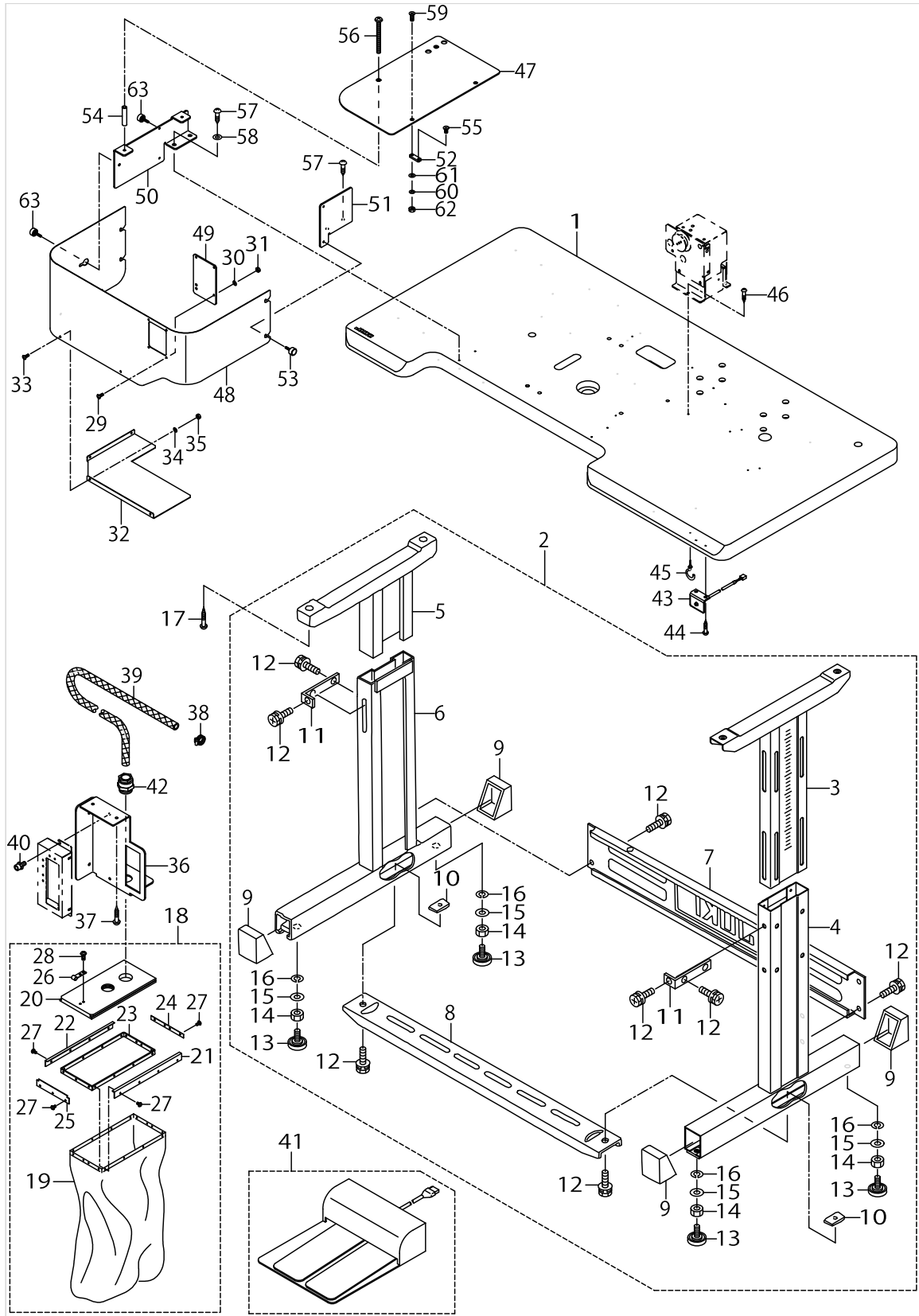
HOUSING COMPONENTS (2) (FOR AW-2D)



HOUSING COMPONENTS (2) (FOR AW-2D)

No.	Parts No.	Parts name	Remarks	Level	Cons	Qty
1	GAW02581000	TABLE				1
2	14222152	T-STAND COMPL.(AIR TYPE)				1
3	14118152	UPPER STAND ASM.,RIGHT		*		1
4	14118251	STAND ASM.,RIGHT		*		1
5	B8101210AAB	UPPER STAND ASM.		*		1
6	B8105210AAA	STAND ASM.		*		1
7	11158300	STAND SIDE SUPPORT		*		1
8	11158409	STAND SIDE SUPPORT		*		1
9	11158607	RUBBER CAP		*		4
10	17007402	NUT		*		2
11	11158516	UPPER STAND PLATE		*		2
12	SL9082091SE	WASHER HEXAGONAL BOLT		*		12
13	B81085550A0	ADJUSTING SCREW ASM. WITH CAP		*		4
14	NM6120001SE	NUT M12		*		4
15	WP1302501SE	WASHER M12		*		4
16	WS1253010KN	SPRING WASHER 12.5X21.5X3		*		4
17	SK3513201SE	WOOD SCREW D=5.1 L=32				4
18	F10010030B0	FILTER ASM.				1
19	F1001003000	FILTER CLOTH		*		1
20	G5210120000	FILTER TOP COVER		*		1
21	F1005003000	RAIL FRAME A		*		1
22	F1006003000	RAIL FRAME B		*		1
23	F1007003000	INNER FRAME		*		1
24	F1008003000	STOPPER FRAME		*		1
25	F1009003000	END FRAME		*		1
26	F1010003000	SPRING		*		1
27	SM4030501SB	SCREW M3 L=5		*		15
28	SM4041001SB	SCREW M4 L=10		*		2
29	SM0030801SC	SCREW M3 X 8				4
30	WP0320501SC	WASHER M3				4
31	NM6030001SC	NUT M3				4
32	GAW02579000	UNDER COVER				1
33	SM0030801SC	SCREW M3 X 8				4
34	WP0320501SC	WASHER M3				4
35	NM6030001SC	NUT M3				4
36	GAW02559000	DUST BAG FITTING PLATE				1
37	SK3482501SE	WOOD SCREW D=4.8 L=25				2
38	16121907	HOSE BAND				1
39	BT1601001Z0	TUBE				1
40	SL6051292TN	BOLT				2
41	M85905130AA	PEDAL SWITCH ASM.				1
42	F1004003000	PIPE GRIP				1
43	GAW028380A0	LED ASM.				1
44	SK3382001SC	WOOD SCREW D=3.8 L=20				2
45	MAT81163T00	CORD HOLDER				1
46	SK3382001SC	WOOD SCREW D=3.8 L=20				3
47	GAW02571000	THROAT PLATE TABLE				1

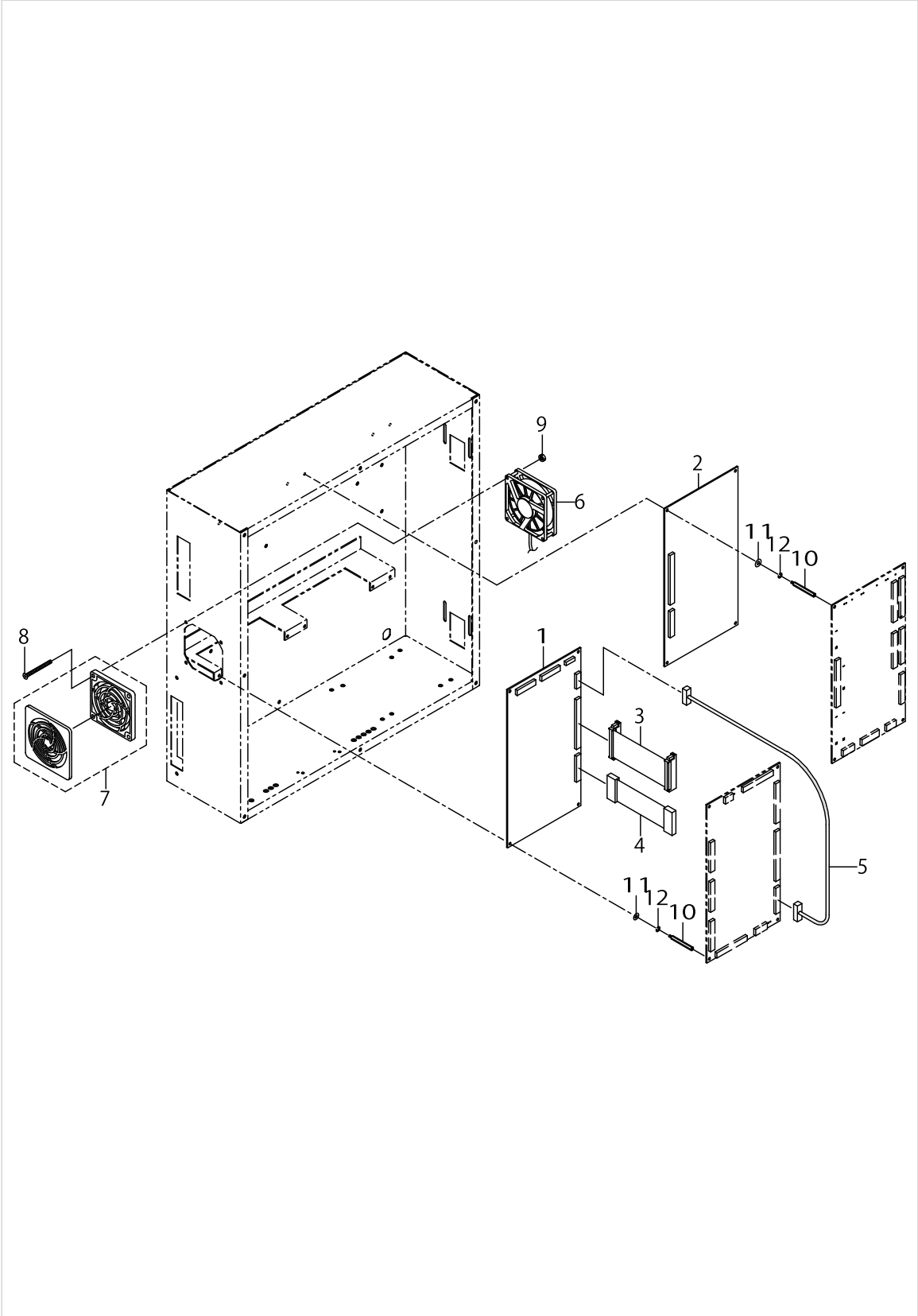
HOUSING COMPONENTS (2) (FOR AW-2D)



HOUSING COMPONENTS (2) (FOR AW-2D)

No.	Parts No.	Parts name	Remarks	Level	Cons	Qty
48	GAW02572000	FRONT COVER				1
49	GAW02573000	FRONT COVER WINDOW				1
50	GAW02574000	COVER STAY L				1
51	GAW02575000	COVER STAY R				1
52	GAW02577000	THROAT PLATE CONNECTOR				2
53	E1855172000	DIMPLE KNOB				4
54	GAW02578000	TABLE SPACER				2
55	SM1040801SC	SCREW M4X0.7 L=8				2
56	SM4055501SC	SCREW M5X0.8 L=55				2
57	SK3512001SE	WOOD SCREW D=5.1 L=20				4
58	WP0550836SC	WASHER 5.5X12X0.8				2
59	SM1041201SC	SCREW M4 L=12				2
60	WS0410002KN	SPRING WASHER				2
61	WP0430801SC	WASHER 4.3X9X0.8				2
62	NM6040000SN	NUT M4				2
63	SM0050801SC	SCREW				1

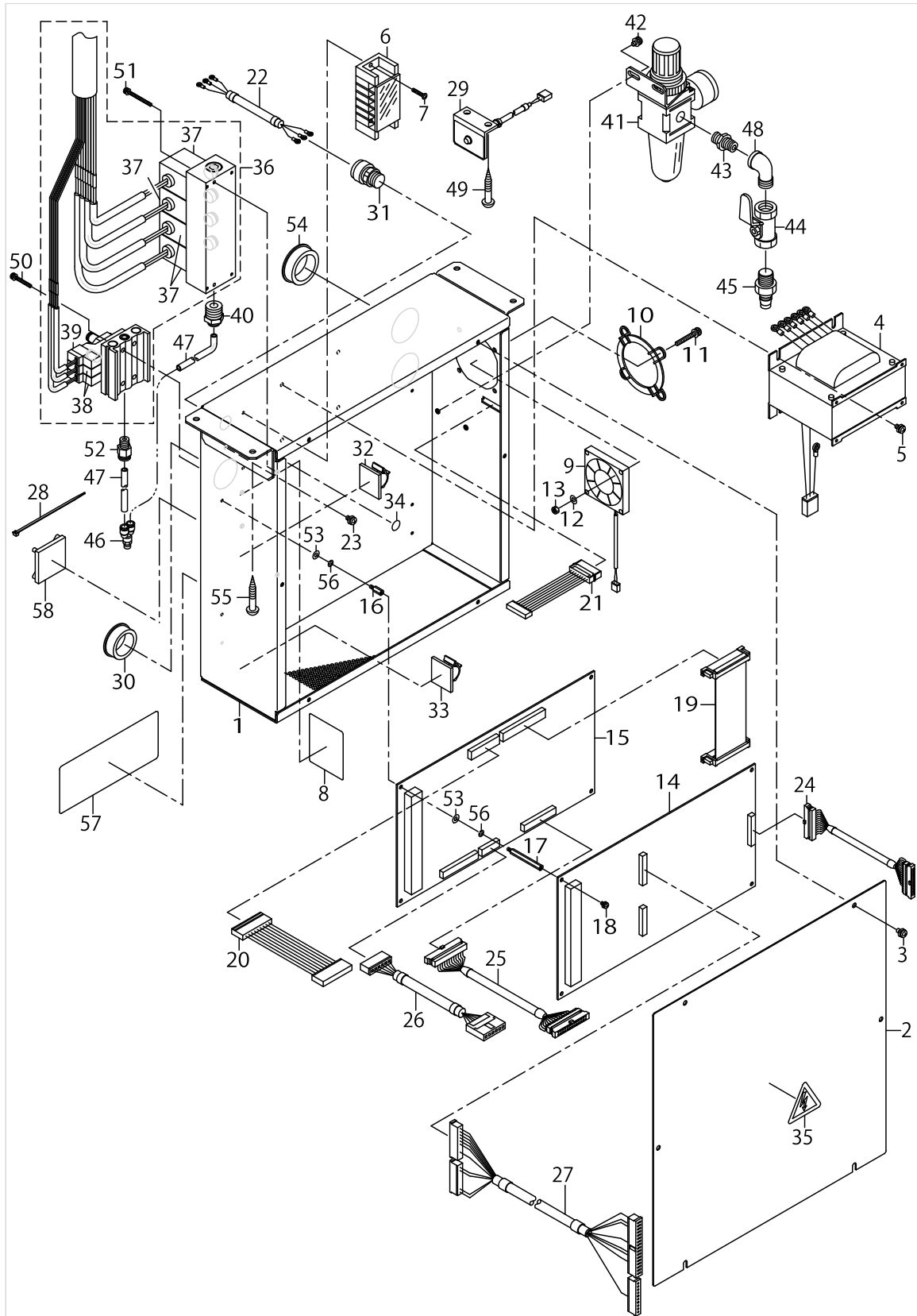
ELECTRICAL BOX COMPONENTS (FOR AW-2)



ELECTRICAL BOX COMPONENTS (FOR AW-2)

No.	Parts No.	Parts name	Remarks	Level	Cons	Qty
1	GAW028010B0	AW2 CPU CIRCUIT BOARD MAS. ASM.				1
2	GAW028020A0	AW2 DRV CIRCUIT BOARD ASM.				1
3	GAW02831000	CPU-DRV CONNECTING CORD ASM.				1
4	GAW028320A0	CPU-DRV POWER CORD ASM.				1
5	GAW028350A0	AVP IF CORD ASM.				1
6	GAW028390A0	FAN MOTOR ASM.				1
7	HM000860010	FAN FILTER				1
8	SM1033501SC	SCREW M3X0.5 L=35				2
9	NM6030003SC	NUT M3				2
10	HX00354000K	BASE SUPPORT				8
11	WP0330516SC	WASHER 3.3X8X0.5				8
12	WS0310002KN	SPRING WASHER M3				8

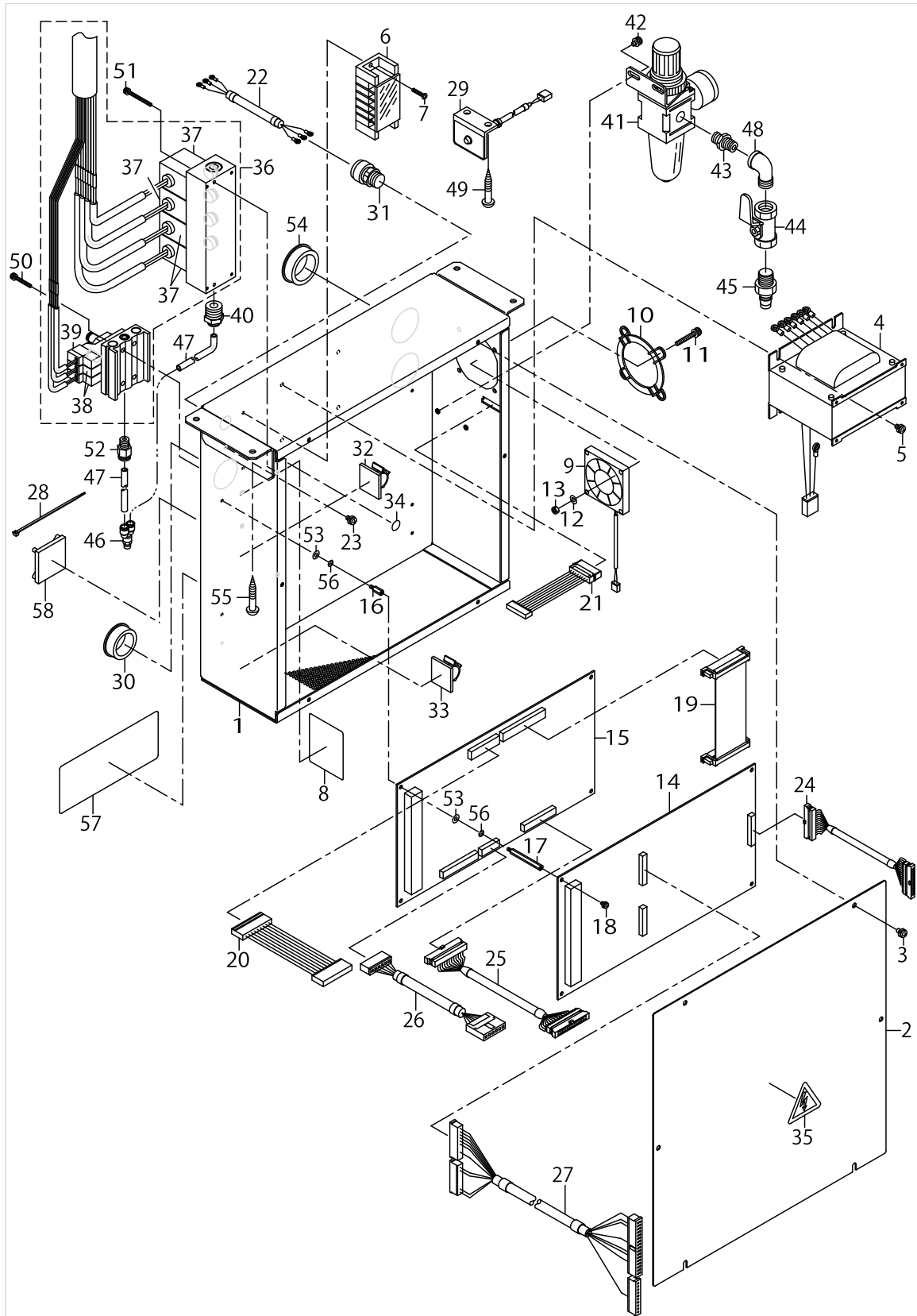
ELECTRICAL BOX COMPONENTS (FOR AW-2A,AW-2C)



ELECTRICAL BOX COMPONENTS (FOR AW-2A,AW-2C)

No.	Parts No.	Parts name	Remarks	Level	Cons	Qty
1	GAW02741D00	ELECTRICAL BOX				1
2	GAW02742D00	ELECTRICAL COVER				1
3	SL4040891SC	SCREW M4 L=8				6
4	GAW02753000	POWER TRANSFORMER				1
5	SL4040891SC	SCREW M4 L=8				4
6	HK043450060	TERMINAL BASE				1
7	SL4031681SC	SCREW M3 X 16				2
8	GAW02782000	VOLTAGE SELECTION SEAL				1
9	GAW02769DA0	FAN MOTOR ASM.				1
10	HM0003800A0	FINGER GUARD				1
11	SL4043091SC	SCREW M4 L=30				4
12	WP0430801SC	WASHER 4.3X9X0.8				4
13	NM6040001SC	NUT M4				4
14	GAW02801BB0	CPU CIRCUIT BOARD MAS. ASM.				1
15	GAW028020A0	AW2 DRV CIRCUIT BOARD ASM.				1
16	HX003390000	STUD				5
17	HX00339000D	SPACER				5
18	SL4040891SC	SCREW M4 L=8				5
19	GAW02761000	CPU-DRV CONNECTING CORD ASM.				1
20	GAW027620A0	CPU-DRV POWER CORD ASM.				1
21	GAW027650A0	EXTERNAL I/F CORD ASM.				1
22	GAW02752AA0	POWER CORD ASM.				1
23	SL4040891SC	SCREW M4 L=8				1
24	GAW02763AA0	CPU-INT CONNECTING CORD ASM.				1
25	GAW028340A0	DRV-INT CONNECTING CORD ASM.				1
26	GAW02766AA0	MOTOR CORD ASM.				1
27	40056577	SC I/F CORD A ASM.				1
28	EA9500B0100	CABLE BAND				1
29	GAW028380A0	LED ASM.				1
30	HX00188000E	BUSH				1
31	HX00252000B	CORD PART				1
32	E9609603000	STICKER (LARGE)				1
33	HX003050000	STICKER				1
34	E9567319000	EARTH MARK				1
35	CM300100004	DANGER LABEL (50)				1
36	GAW027730A0	SOLENOID VALVE ASM.				1
37	PV120203000	2 PORT SOLENOID VALVE		*		4
38	PV130204100	3 PORT SOLENOID VALVE		*		2
39	PV130204000	3 PORT SOLENOID VALVE		*		1
40	PJ210006200	HALF UNION				1
41	PF0552070A0	FILTER REGULATOR ASM.				1
42	SL4040891SC	SCREW M4 L=8				2
43	PJ030520001	RING JOINT (NIPPLE)				1
44	PV205201000	BALL VALVE				1
45	PJ309005203	QUICK JOINT PLUG				1
46	PJ308065202	Y-UNION				1
47	BT0600401EB	TUBE				0.9

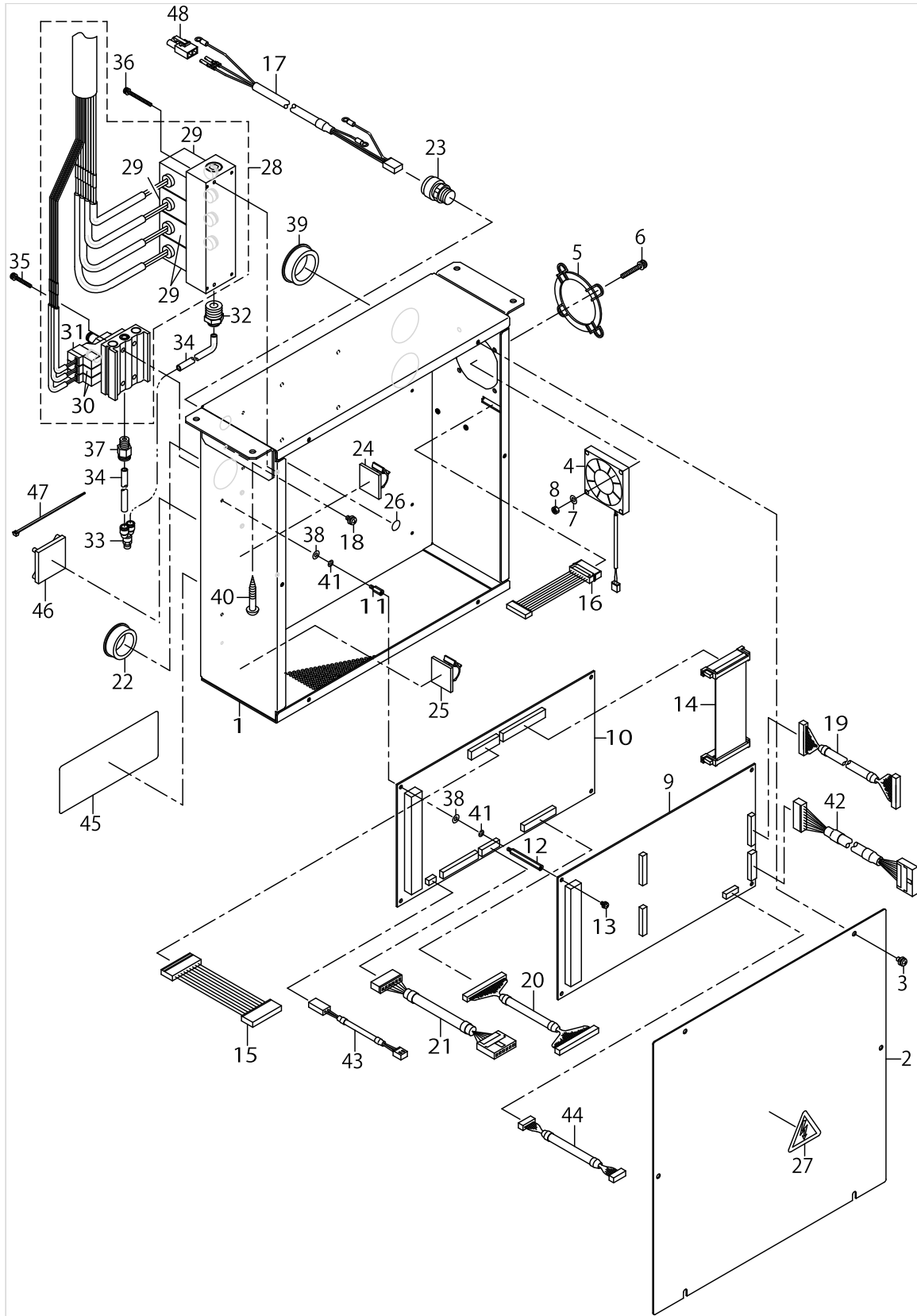
ELECTRICAL BOX COMPONENTS (FOR AW-2A,AW-2C)



ELECTRICAL BOX COMPONENTS (FOR AW-2A,AW-2C)

No.	Parts No.	Parts name	Remarks	Level	Cons	Qty
48	PJ042520002	ELBOW				1
49	SK3452500SC	WOOD SCREW D=4.5 L=25				2
50	SL4032591SC	SCREW M3X25				2
51	SL4033591SC	SCREW M3X35				2
52	PJ301065103	HALF UNION 6XPT1/8				1
53	WP0430801SC	WASHER 4.3X9X0.8				10
54	HX00188000F	CORD BUSH				2
55	SK3513201SE	WOOD SCREW D=5.1 L=32				4
56	WS0410002KN	SPRING WASHER				10
57	GAW02784000	RATING LABEL				1
58	HX002560000	FIXED BASE				1

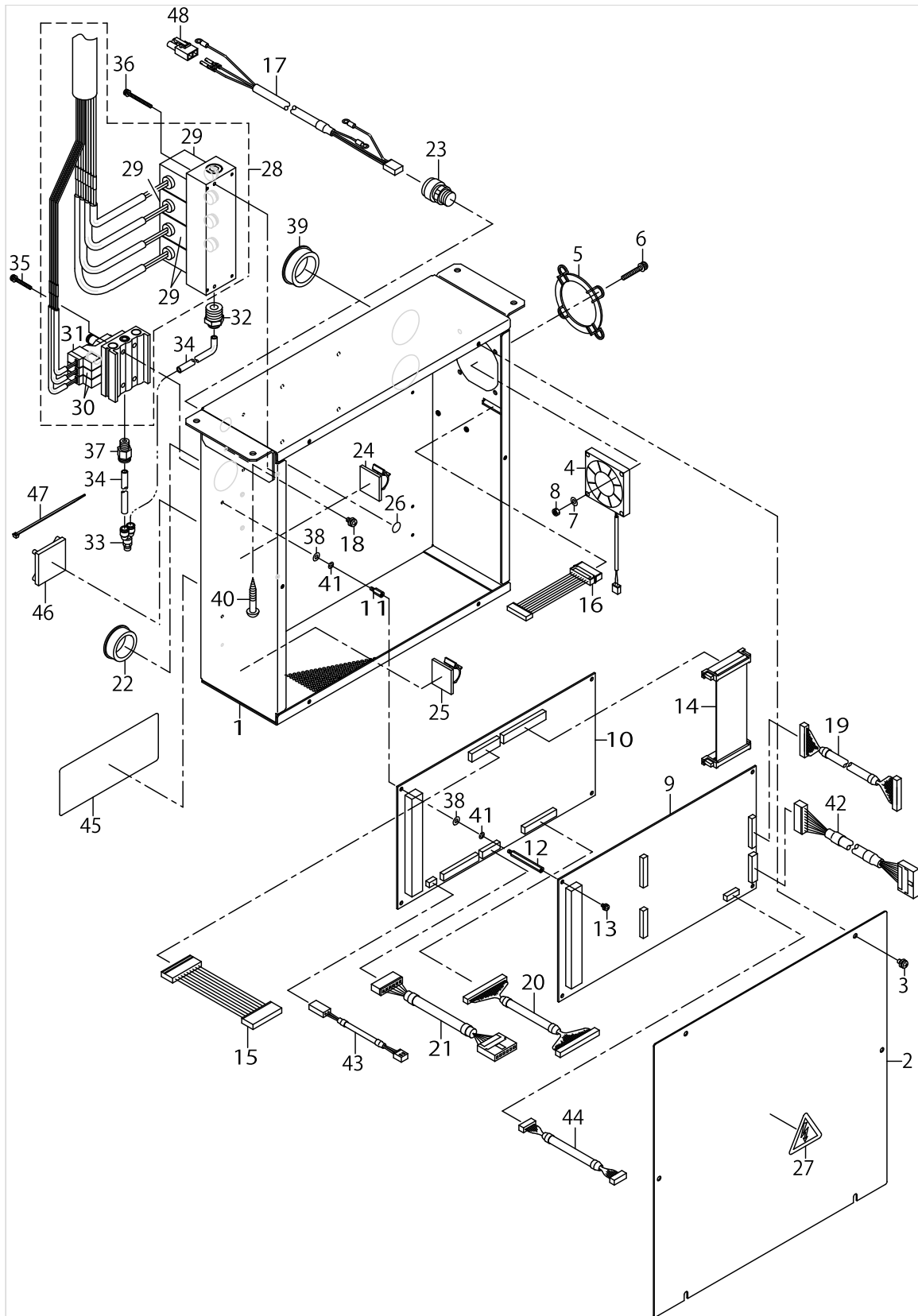
ELECTRICAL BOX COMPONENTS (FOR AW-2D)



ELECTRICAL BOX COMPONENTS (FOR AW-2D)

No.	Parts No.	Parts name	Remarks	Level	Cons	Qty
1	GAW02741D00	ELECTRICAL BOX				1
2	GAW02742D00	ELECTRICAL COVER				1
3	SL4040891SC	SCREW M4 L=8				6
4	GAW02769DA0	FAN MOTOR ASM.				1
5	HM0003800A0	FINGER GUARD				1
6	SL4043091SC	SCREW M4 L=30				4
7	WP0430801SC	WASHER 4.3X9X0.8				4
8	NM6040001SC	NUT M4				4
9	GAW02801DB0	CPU CIRCUIT BOARD MAS. ASM.				1
10	GAW02802DA0	AW2 DRV CIRCUIT BOARD ASM.				1
11	HX003390000	STUD				5
12	HX00339000D	SPACER				5
13	SL4040891SC	SCREW M4 L=8				5
14	GAW02761000	CPU-DRV CONNECTING CORD ASM.				1
15	GAW027620A0	CPU-DRV POWER CORD ASM.				1
16	GAW027650A0	EXTERNAL I/F CORD ASM.				1
17	GAW02752DA0	POWER CORD ASM.				1
18	SL4040891SC	SCREW M4 L=8				1
19	GAW027630A0	CPU-INT CONNECTING CORD ASM.				1
20	GAW027640A0	DRV-INT CONNECTING CORD ASM.				1
21	GAW02766DA0	MOTOR CORD ASM.				1
22	HX00188000E	BUSH				1
23	HX00252000B	CORD PART				1
24	E9609603000	STICKER (LARGE)				1
25	HX003050000	STICKER				1
26	E9567319000	EARTH MARK				1
27	CM300100004	DANGER LABEL (50)				1
28	GAW027730A0	SOLENOID VALVE ASM.				1
29	PV120203000	2 PORT SOLENOID VALVE		*		4
30	PV130204100	3 PORT SOLENOID VALVE		*		2
31	PV130204000	3 PORT SOLENOID VALVE		*		1
32	PJ210006200	HALF UNION				1
33	PJ308060004	Y UNION				1
34	BT0600401EB	TUBE				0.9
35	SL4032591SC	SCREW M3X25				2
36	SL4033591SC	SCREW M3X35				2
37	PJ301065103	HALF UNION 6XPT1/8				1
38	WP0430801SC	WASHER 4.3X9X0.8				10
39	HX00188000F	CORD BUSH				2
40	SK3513201SE	WOOD SCREW D=5.1 L=32				4
41	WS0410002KN	SPRING WASHER				10
42	GAW02770DA0	SENSOR EXT. CORD ASM.				1
43	GAW02777DA0	LED ASM. EXTENSION CORD ASM.				1
44	GAW027760A0	LK I/F CORD ASM.				1
45	GAW02784D00	RATING LABEL				1
46	HX002560000	FIXED BASE				1
47	EA9500B0100	CABLE BAND				1

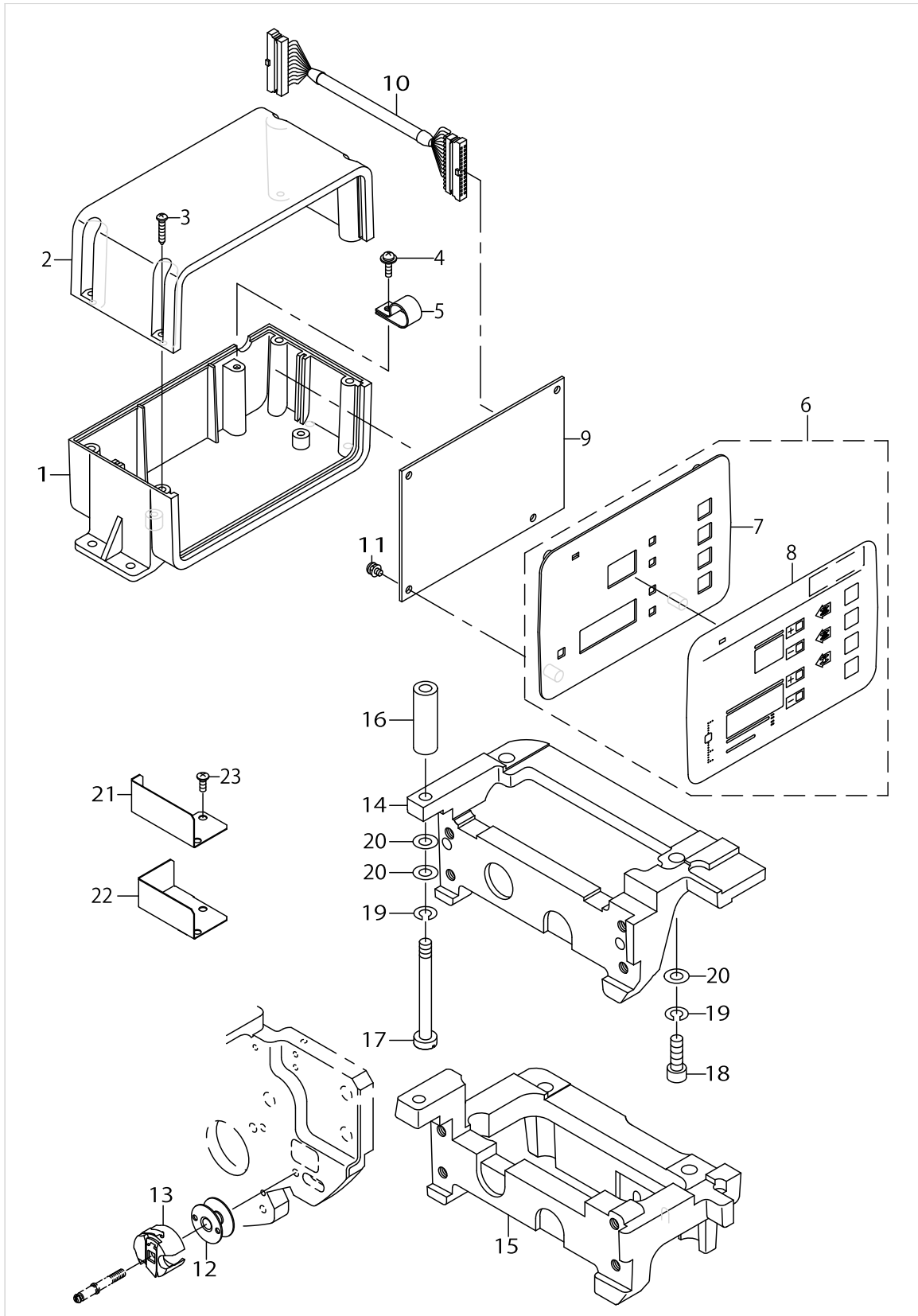
ELECTRICAL BOX COMPONENTS (FOR AW-2D)



ELECTRICAL BOX COMPONENTS (FOR AW-2D)

No.	Parts No.	Parts name	Remarks	Level	Cons	Qty
48	HK004440020	2-POLE RECEPTACLE				1

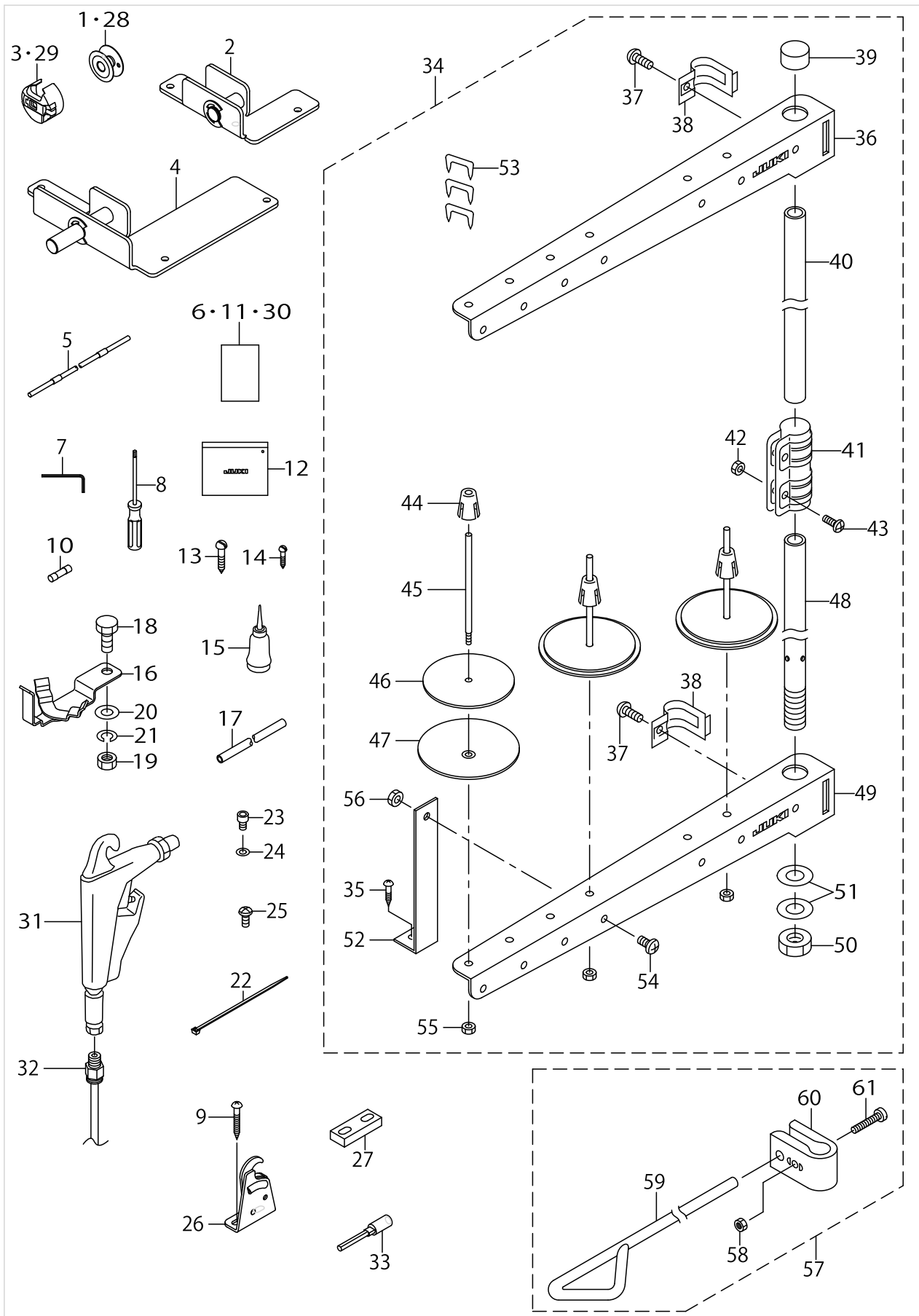
OPERATION BOX COMPONENTS ANOTHER (FOR AW-2A,AW-2C)



OPERATION BOX COMPONENTS ANOTHER (FOR AW-2A,AW-2C)

No.	Parts No.	Parts name	Remarks	Level	Cons	Qty
1	M1010590000	OPERATION BOX A				1
2	M1011590000	OPERATION BOX B				1
3	ST40316110R	TAPPING SCREW D=3 L=16				4
4	SV4031006SR	SCREW M3 L=10				1
5	EA9502B0500	CABLE CLIP				1
6	GAW02743AA0	OPERATION PANEL PLATE ASM.				1
7	GAW02743000	OPERATION PANEL PLATE		*		1
8	GAW02744A00	OPERATION PANEL SEAT		*		1
9	GAW028040A0	AW2 PANEL BOARD ASM.				1
10	GAW02774AA0	PANEL CORD ASM.				1
11	SL4030691SC	SCREW M3X6				4
12	GAW027060A0	BOBBIN ASM.				1
13	GAW014210A0	BOBBIN CASE				1
14	GAW02722000	FITTING ANGLE DDL	FOR AW-2A			1
15	GAW02722A00	FITTING ANGLE E2	FOR AW-2C			1
16	GAW02723000	FITTING ANGLE SPACER				1
17	GAW02724000	FITTING ANGLE BOLT				1
18	SS6151812TP	SCREW 15/64-28 L=18				2
19	WS0610002KN	SPRING WASHER 6.1X12.2X1.5				3
20	WP0641601SC	WASHER				4
21	GAW02406A00	HORIZONTAL FEED COVER 10	FOR AW-2A			1
22	GAW02406B00	HORIZONTAL FEED COVER E2	FOR AW-2C			1
23	SM0030801SC	SCREW M3 X 8				2

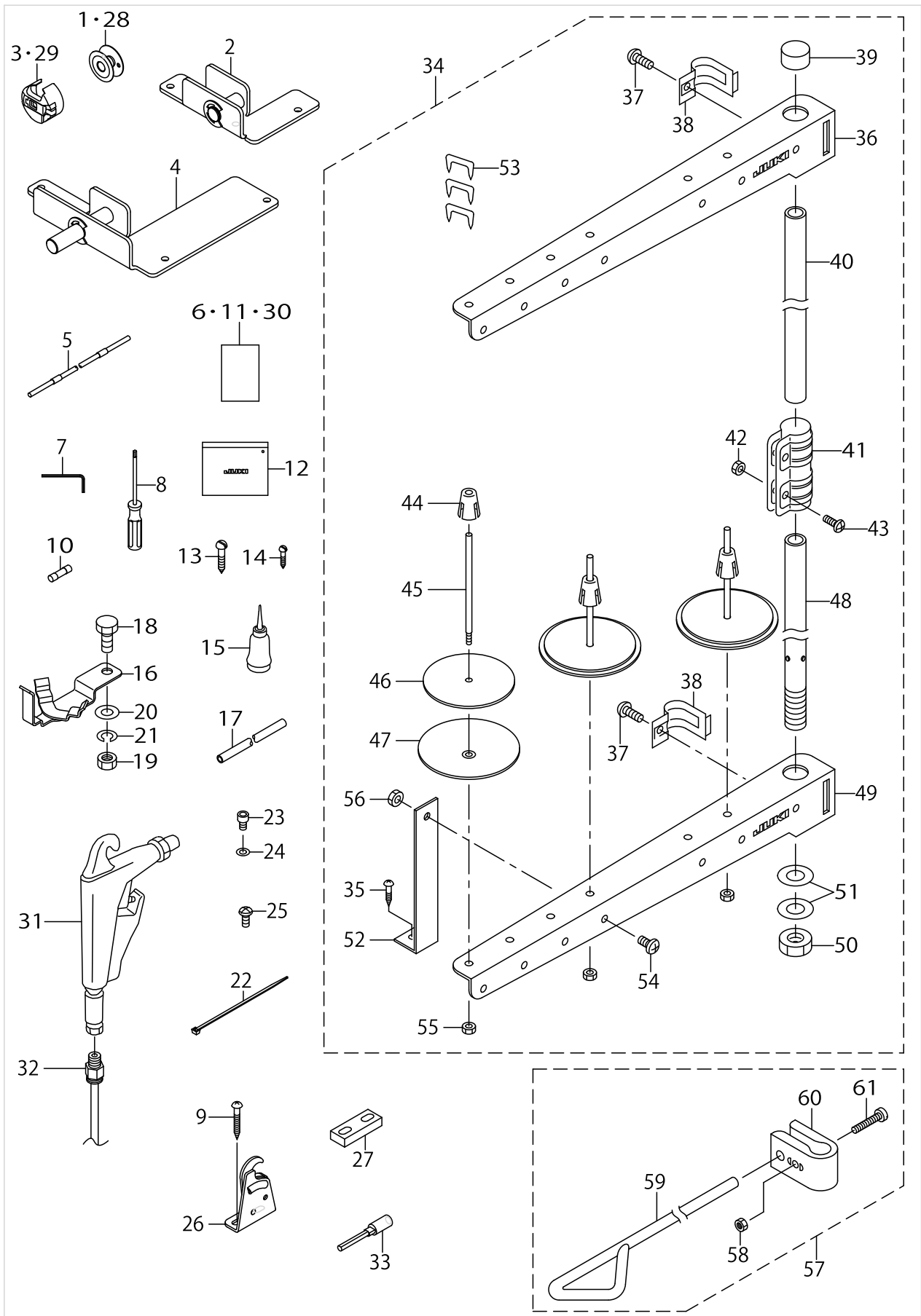
ACCESSORIE PARTS COMPONENTS



ACCESSORIE PARTS COMPONENTS

No.	Parts No.	Parts name	Remarks	Level	Cons	Qty
1	GAW025010A0A	BOBBIN ASM.	FOR AW-2			4
2	GAW027260A0	HEAD BLOCK BK ASM.	FOR AW-2A			1
3	GAW02502000A	BOBBIN CASE	FOR AW-2			2
4	GAW02726AA0	HEAD BLOCK BK ASM.	FOR AW-2C			1
5	GAW02522000	CHUCK RELAY TUBE				1
6	29324209	PARTS LIST AW-2				1
7	J106600000A	HEXAGONAL ROD SPANNER 1.5MM				1
8	11851102	SCREW WRENCH				1
9	SK3452001SE	WOOD SCREW D=4.5 L=20	FOR AW-2C			2
10	HF0037060PA	FUSE	FOR AW-2A,AW-2C,AW-2D			1
11	29332509	INSTRUCTION MANUAL	FOR AW-2A,AW-2C			1
12	B9101552000	ACCESSORY BOX	FOR AW-2A,AW-2C			1
13	SK3452500SC	WOOD SCREW D=4.5 L=25	FOR AW-2A,AW-2C			3
14	SK3311600SC	WOOD SCREW D=3.1 L=16	FOR AW-2A,AW-2C			4
15	B91210120A0	OILER ASM.	FOR AW-2A,AW-2C			1
16	11074408	SUPPORT BASE	FOR AW-2A,AW-2C			1
17	BT0600401EB	TUBE	FOR AW-2A,AW-2C			1
18	SM9082023SE	SCREW M8 L=20	FOR AW-2A,AW-2C			1
19	NM6080721SE	NUT M8	FOR AW-2A,AW-2C			1
20	WP0871602SE	WASHER 8.7X18X1.6	FOR AW-2A,AW-2C			1
21	WS0861410KR	SPRING WASHER 8.6X15X1.4	FOR AW-2A,AW-2C			1
22	EA9500B0100	CABLE BAND	FOR AW-2A,AW-2C			3
23	SM6050802TN	BOLT	FOR AW-2C			2
24	WP0531001SC	WASHER	FOR AW-2C			2
25	SS4121215SP	SCREW 3/16-28 L=12	FOR AW-2A,AW-2C			3
26	40051392	MAIN BASE STOPPER	FOR AW-2A,AW-2C			1
27	GAW02728000	HEAD BLOCK SPACER	FOR AW-2C			1
28	40022188	BOBBIN ASM	FOR AW-2D			1
29	GAW02502AA0	BOBBIN CASE ASM.	FOR AW-2D			1
30	29339405	AW-2D INSTRUCTION MANUAL	FOR AW-2D			1
31	16111403	AIR GUN	FOR AW-2D			1
32	PJ301065103	HALF UNION 6XPT1/8	FOR AW-2D			1
33	GAW02541A00	CHUCK JIG 30	FOR AW-2D			1
34	D3301772TAB	THREAD STAND ASM.	FOR AW-2D			1
35	SK3382001SE	SCREW D=3.8 L=20		*		1
36	B3319704L00	THREAD GUIDE		*		1
37	SM6061610SC	SCREW M6 L=16		*		2
38	B3318704L00A	THREAD GUIDE ARM JOINT		*		2
39	B3311704000	SPOOL REST ROD CAP		*		1
40	11185204	SPOOL REST ROD,UPPER		*		1
41	B3305704000A	SPOOL REST ROD JOINT		*		1
42	NM6050001SE	NUT M5		*		2
43	SM4051405SE	SCREW M5 L=14		*		2
44	11185501	SPOOL RETAINER		*		3
45	B3320704L00A	SPOOL PIN		*		3
46	B3311012000	SPOOL REST CUSHION		*		3
47	11966504	SPOOL REST		*		3

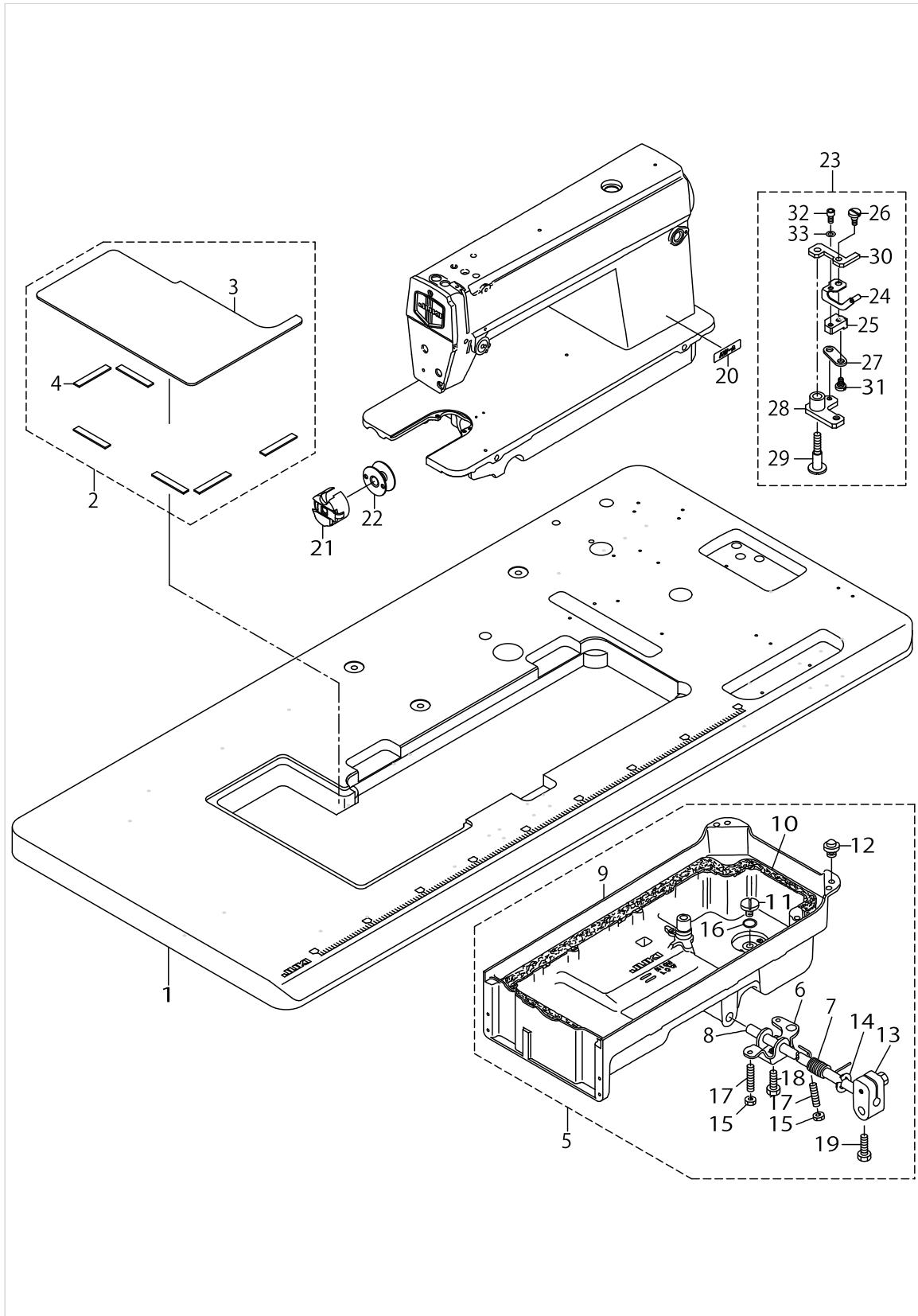
ACCESSORIE PARTS COMPONENTS



ACCESSORIE PARTS COMPONENTS

No.	Parts No.	Parts name	Remarks	Level	Cons	Qty
48	11185105	SPOOL REST ROD,LOWER		*		1
49	11969508	SPOOL REST ARM A		*		1
50	B3317704000	NUT		*		1
51	WP1612616SE	WASHER 16X30X2.6		*		2
52	B3321704L00	SPOOL REST ARM SUPPORT, A		*		1
53	MA011532000	STAPLE		*		3
54	SM4061201SE	SCREW M6 L=12		*		1
55	NM6050001SE	NUT M5		*		3
56	NM6060001SE	NUT M6		*		1
57	B33094810A0	THREAD GUIDE ARM ASM.	FOR AW-2D			1
58	NM6050001SC	NUT M5		*		1
59	B3309481000	THREAD GUIDE, LOWER		*		1
60	B3304704000A	THREAD GUIDE ARM HOLDER		*		1
61	SM6052700SC	SCREW M5 L=27		*		1

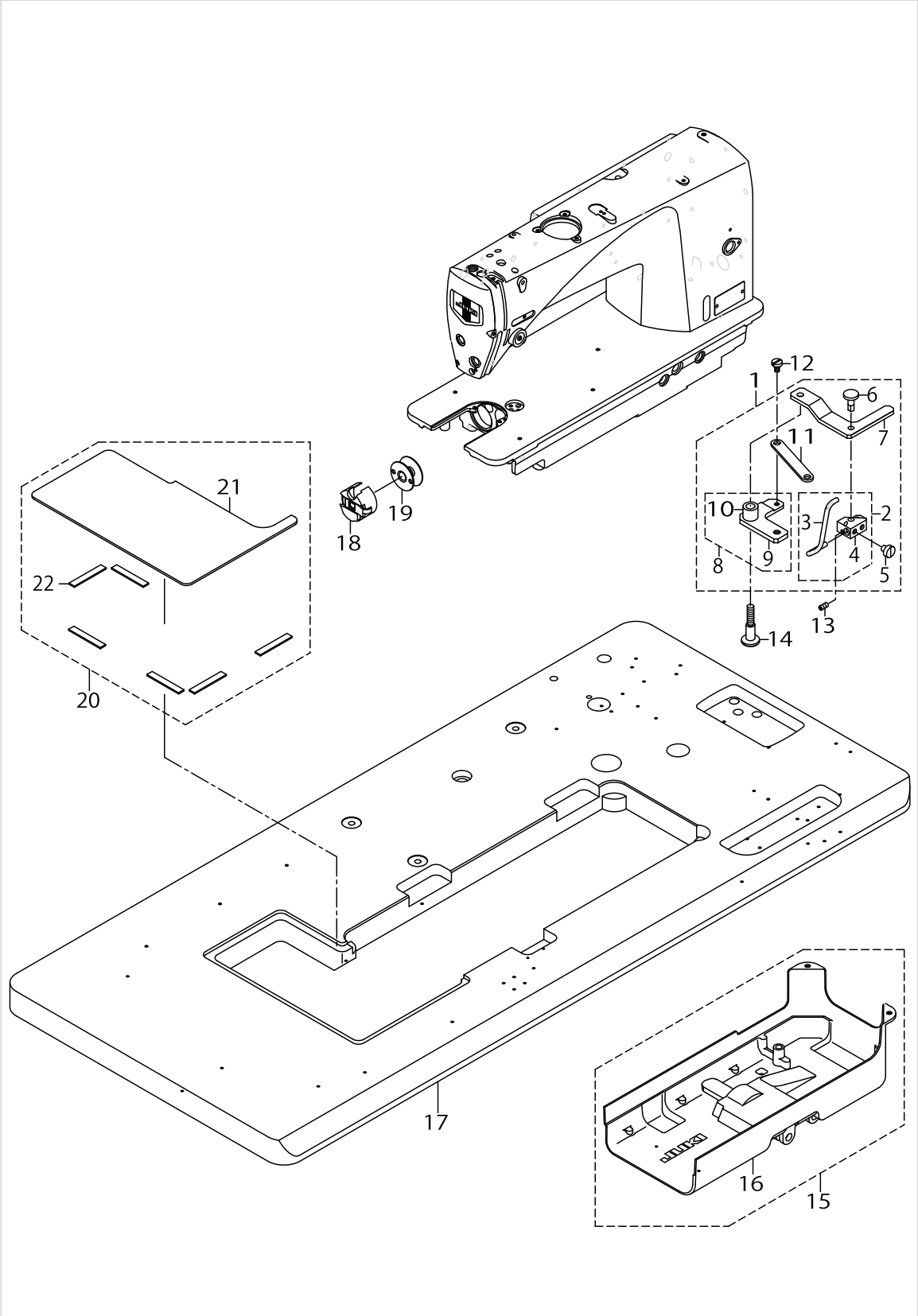
EXCLUSIVE PARTS MACHINE FRAME & TABLE (FOR AW-2A)



EXCLUSIVE PARTS MACHINE FRAME & TABLE (FOR AW-2A)

No.	Parts No.	Parts name	Remarks	Level	Cons	Qty
1	20370508	TABLE				1
2	20370656	TABLE COVER ASM.				1
3	20370607	TABLE COVER		*		1
4	20370706	TABLE COVER RUBBER		*		6
5	20370151	OIL RESERVOIR COMPL.				1
6	11024015	CONNECTING ROT, VERTICAL		*		1
7	11024106	SPRING		*		1
8	11024205	KNEE PRESS ROD		*		1
9	20370102	OIL RESERVOIR		*		1
10	11024700	GASKET		*		1
11	SS6700710SH	SCREW 5/16-24 L=7		*		1
12	11047107	RUBBER CUSHION		*		2
13	11024510	BRACKET		*		1
14	RE1000000K0	E-RING 10		*		1
15	NM6060001SE	NUT M6		*		2
16	RO098240100	RUBBER RING		*		1
17	SM8063012TR	SCREW M6 L=30		*		2
18	SM9061853SR	SCREW M6 L=17.5		*		1
19	SM9062053SR	SCREW M6 L=20		*		2
20	20370805	MODEL NAME PLATE				1
21	GAW014210A0	BOBBIN CASE				1
22	GAW027060A0	BOBBIN ASM.				1
23	20370268	PICKER MAS. ASM.				1
24	20370250	PICKER ARM ASM.		*		1
25	11083003	PICKER CENTER LINK		*		1
26	SD0400356TP	STEP-SCREW D=4 H=3.5		*		1
27	20370409	PICKER MIDDLE LINK		*		1
28	11082351	PICKER LINK ASM.		*		1
29	SD0601211TP	STEP-SCREW D=6 H=12.1		*		1
30	20370300	PICKER BASE		*		1
31	SD0450179TP	STEP-SCREW D=4.5 H=1.7		*		2
32	SM6030602TN	HEX SCREW M3 X 6		*		1
33	WS0310002KN	SPRING WASHER M3		*		1

EXCLUSIVE PARTS MACHINE FRAME & TABLE (FOR AW-2C)



EXCLUSIVE PARTS MACHINE FRAME & TABLE (FOR AW-2C)

No.	Parts No.	Parts name	Remarks	Level	Cons	Qty
1	23647563	PICKER WHOLE ASM.				1
2	23647555	PICKER ASM.		*		1
3	23647506	PICKER		*		1
4	23647605	PICKER CENTER LINK		*		1
5	SS6090420SP	SCREW 9/64-40 L= 4.0		*		2
6	23647704	PICKER BASE SD		*		1
7	23647803	PICKER BASE		*		1
8	23647951	PICKER LINK ASM.		*		1
9	23647902	PICKER LINK		*		1
10	GAW01502000	OILLESS SHAFT HOLDER		*		1
11	23648009	PICKER MIDDLE LINK		*		1
12	SD0450179TP	STEP-SCREW D=4.5 H=1.7				2
13	SM8030612TP	SET SCREW				2
14	SD0601211TP	STEP-SCREW D=6 H=12.1				1
15	23648850	UNDER COVER ASM. AW-2				1
16	23648801	UNDER COVER		*		1
17	23649106	TABLE				1
18	GAW014210A0	BOBBIN CASE				1
19	GAW027060A0	BOBBIN ASM.				1
20	20370656	TABLE COVER ASM.				1
21	20370607	TABLE COVER		*		1
22	20370706	TABLE COVER RUBBER		*		6

HOW TO MAKE USE OF THIS PARTS LIST

1.Explanation of codes

1)"*"mark.....means this part is changed from the previous parts book.

As to the details of the change, refer to the "List for information of change".

2)"#01".....refer to "Note" explanation at bottom of page.

2.Codes on the "Qty" column

- Each numeral indicates the number of parts required.
- "0.1" and "2.5" indicate the length (in meters) of the respective parts.

3.Parentheses mean that the corresponding part is a subpart that constructs an assembly part.

4.Dotted lines on the Figures indicate assembly parts.

1."注記"欄の記号説明

1) "*"印.....前回のパーツブックに比較して今回変更された部品を意味します。

変更内容は、"変更情報リスト"を参照してください。

2) "#01".....ページ下の"注記"の説明を参照してください。

2.数量欄の数字は、個数を表し、0.1、2.5等の数値は、長さ（単位メートル）を表します。

3.数量欄の（ ）は、組部品を構成している子部品であることを意味します。

4.イラストページの-----枠は、組構成であることを意味します。

AW-2 :FOR AVP-875	AVP-875仕様
AW-2A:FOR DLN-5410N-7	DLN-5410N-7仕様
AW-2C:FOR DDL-9000	DDL-9000仕様
AW-2D:FOR LK-1941	LK-1941仕様

NUMERICAL INDEX OF PARTS

PART NO	PAGE	REF NO.	PART NO	PAGE	REF NO.	PART NO	PAGE	REF NO.
11018603	28	18	16121907	38	14	40084116	40	25
11024015	66	6	16121907	46	38	B1405012000	24	13
11024106	66	7	17007402	46	10	B1513210000	10	11
11024205	66	8	18222901	4	81	B3121352000	28	29
11024510	66	13	20370102	66	9	B3126012000	28	27
11024700	66	10	20370151	66	5	B3126012000	32	65
11045002	32	31	20370250	66	24	B3126012000	34	65
11045101	32	29	20370268	66	23	B3132552000	28	28
11045200	32	32	20370300	66	30	B3132552000	32	64
11047107	42	50	20370409	66	27	B3132552000	34	64
11047107	66	12	20370508	66	1	B3304704000A	64	60
11072402	28	22	20370607	66	3	B3305704000A	62	41
11074408	62	16	20370607	68	21	B3309481000	64	59
11082351	66	28	20370656	66	2	B33094810A0	64	57
11083003	66	25	20370656	68	20	B3311012000	62	46
11158300	46	7	20370706	66	4	B3311704000	62	39
11158409	46	8	20370706	68	22	B3317704000	64	50
11158516	46	11	20370805	66	20	B3318704L00A	62	38
11158607	46	9	23636657	28	19	B3319704L00	62	36
11185105	64	48	23647506	68	3	B3320704L00A	62	45
11185204	62	40	23647555	68	2	B3321704L00	64	52
11185501	62	44	23647563	68	1	B8101210AAB	46	5
11244019	40	26	23647605	68	4	B8105210AAA	46	6
11301405	16	34	23647704	68	6	B81085550A0	46	13
11301405	20	23	23647803	68	7	B9101552000	62	12
11851102	62	8	23647902	68	9	B91210120A0	62	15
11966504	62	47	23647951	68	8	BT0400251EB	36	7
11969508	64	49	23648009	68	11	BT0400251EB	38	2
13507405	6	14	23648801	68	16	BT0400251EB	44	2
13507405	10	43	23648850	68	15	BT0600401EB	28	33
13507405	14	26	23649106	68	17	BT0600401EB	34	52
13507405	32	40	29324209	62	6·11·30	BT0600401EB	36	8
13507504	6	15	29332509	62	6·11·30	BT0600401EB	38	3
13507504	10	32	29339405	62	6·11·30	BT0600401EB	44	3
13507504	14	14	40022188	62	1·28	BT0600401EB	52	47
13744909	24	12	40032693	4	77	BT0600401EB	56	34
13786306	30	55	40032715	10	23	BT0600401EB	62	17
13786306	32	33	40032716	10	38	BT0800501EB	34	55
14113450	28	20	40051392	62	26	BT0800501EB	36	9
14118152	46	3	40056512	40	8·9	BT1601001Z0	36	40
14118251	46	4	40056513	40	6·7	BT1601001Z0	38	27
14222152	46	2	40056514	40	8·9	BT1601001Z0	46	39
16111403	42	57	40056515	40	6·7	CM300100004	52	35
16111403	62	31	40056577	52	27	CM300100004	56	27
16121907	36	27	40056692	40	11	CM300200001	16	24

NUMERICAL INDEX OF PARTS

PART NO	PAGE	REF NO.	PART NO	PAGE	REF NO.	PART NO	PAGE	REF NO.
CM300200001	20	16	F1008003000	36	34	GAW02106000	2	7
CS080081ASH	16	38	F1008003000	38	21	GAW02107000	2	8
CS080081ASH	20	27	F1008003000	46	24	GAW02111000	2	9-10
D2304212T0T	32	6	F1009003000	36	35	GAW02112000	2	11
D3129555D00	32	63	F1009003000	38	22	GAW02113000	2	12
D3129555D00	34	63	F1009003000	46	25	GAW02114000	2	13
D3301772TAB	62	34	F1010003000	36	36	GAW02115000	2	14
D7133555B00	28	21	F1010003000	38	23	GAW02116000	2	15
E1855172000	48	53	F1010003000	46	26	GAW02118000	2	16
E2131172000	16	35	G2301309000	28	31	GAW02121000	2	17
E2131172000	20	24	G2301309000	32	66	GAW021220A0	2	18
E6804715000	26	53	G2301309000	34	66	GAW02123000	2	19
E9567319000	52	34	G23013090A0	28	26	GAW02124000	2	20
E9567319000	56	26	G2302309000	28	32	GAW02125000	2	21
E9609603000	36	41	G2302309000	32	67	GAW021260A0	2	22
E9609603000	44	11	G2302309000	34	67	GAW021270A0	2	23
E9609603000	52	32	G5210120000	36	30	GAW021310A0	2	24
E9609603000	56	24	G5210120000	38	17	GAW02132000	2	25
EA9500B0100	24	15	G5210120000	46	20	GAW02133000	2	26
EA9500B0100	28	34	G5841830000	4	65	GAW02134000	2	27
EA9500B0100	34	54	G6036870000	40	23	GAW02135000	2	28
EA9500B0100	52	28	G8010880000	40	24	GAW02136000	2	29
EA9500B0100	56	47	GAW01246000	32	16	GAW02137000	2	30
EA9500B0100	62	22	GAW01248000	28	13	GAW02138000	2	31
EA9500B0200	24	16	GAW01248000	32	20	GAW02139000	4	76
EA9502B0400	38	29	GAW01309000	6	16	GAW02140000	2	32
EA9502B0500	60	5	GAW01309000	10	14	GAW02201000	6	3
F1001003000	36	29	GAW01401000	42	51	GAW022010A0	6	2
F1001003000	38	16	GAW01402000	42	52	GAW02201A00	10	20
F1001003000	46	19	GAW014210A0	60	13	GAW02201A00	14	2
F10010030B0	36	28	GAW014210A0	66	21	GAW02201AA0	10	19
F10010030B0	38	15	GAW014210A0	68	18	GAW02201AA0	14	1
F10010030B0	46	18	GAW01502000	68	10	GAW02202A00	6	25
F1004003000	36	39	GAW01506000	18	70	GAW02202A00	10	25
F1004003000	38	26	GAW01506000	22	64	GAW02203000	6	26
F1004003000	46	42	GAW01507000	2	42	GAW02203000	10	31
F1005003000	36	31	GAW01507000	16	36	GAW02203000	14	13
F1005003000	38	18	GAW01507000	20	25	GAW02204A00	6	6
F1005003000	46	21	GAW02006AA0	38	1	GAW02204A00	10	39
F1006003000	36	32	GAW02006BA0	44	1	GAW02205000	6	7
F1006003000	38	19	GAW021010A0	2	2	GAW02205000	10	40
F1006003000	46	22	GAW02102000	2	3	GAW02205000	14	23
F1007003000	36	33	GAW021030A0	2	4	GAW02206000A	6	8
F1007003000	38	20	GAW02104000	2	5	GAW02207000A	6	9
F1007003000	46	23	GAW02105000	2	6	GAW022080A0	6	10

NUMERICAL INDEX OF PARTS

PART NO	PAGE	REF NO.	PART NO	PAGE	REF NO.	PART NO	PAGE	REF NO.
GAW022080A0	10	33	GAW023020A0	16	3	GAW02357000	24	39
GAW022080A0	14	15	GAW023020A0	20	3	GAW02361000	28	2
GAW02209000	6	11	GAW023050A0	16	4	GAW023610A0	28	1
GAW02209000	10	26	GAW023050A0	20	4	GAW02361A00	32	13
GAW02209000	14	10	GAW02308000	16	5	GAW02361AA0	32	12
GAW02210000	6	12	GAW02308000	20	5	GAW02362000	30	54
GAW02210000	10	28	GAW02309000	16	6	GAW02362A00	32	38
GAW02210000	14	18	GAW02309000	20	6	GAW02363000	28	6
GAW02211000	6	13	GAW02310000	16	7	GAW02363A00	32	21
GAW02211000	14	25	GAW02321000	16	8	GAW02364000	28	7
GAW02211A00	10	42	GAW02321A00	20	45	GAW02364A00	32	18
GAW02212000	10	17	GAW023220A0	16	9	GAW02365000	28	8
GAW02212000	14	32	GAW02322AA0	20	46	GAW02365000	32	25
GAW02213000	6	18	GAW02323000	16	10	GAW023660A0	28	9
GAW02213000	10	36	GAW02323000	20	7	GAW023660A0	32	23
GAW02213000	14	41	GAW02324000	16	11	GAW023680A0	28	10
GAW02221000	6	37	GAW02324000	20	8	GAW023680A0	32	46
GAW02221A00	12	49	GAW02325000	16	12	GAW02369000	28	11
GAW02221AA0	12	48	GAW02325000	20	9	GAW02369000	32	44
GAW02222000	6	40	GAW02326000	16	13	GAW02370000	28	12
GAW02222000	10	9	GAW02326000	20	10	GAW02370000	32	42
GAW02223000	6	27	GAW02327A00	16	14	GAW02371000	32	28
GAW02223000	10	8	GAW02327A00	20	47	GAW023710A0	32	26
GAW022260A0	6	28	GAW02328A00	16	15	GAW02372000	28	14
GAW022260A0	10	3	GAW02328A00	22	48	GAW02372000	32	62
GAW02227000	6	29-30	GAW02330000	18	65	GAW02372000	34	62
GAW02227A00	10	4	GAW02330000	22	61	GAW023720A0	32	1
GAW02228000	6	31	GAW02331000	16	16	GAW02372AA0	34	60
GAW02229000	6	32	GAW02331000	22	50	GAW02373000	28	15
GAW02229000	10	2	GAW02332000	18	67	GAW02373000	34	56
GAW02230000	6	33	GAW02332000	22	49	GAW02374000	28	16
GAW02230000	12	50	GAW02341000	16	17	GAW02374000	34	53
GAW02231000	12	52	GAW02341A00	22	55	GAW02401A00	24	2-43
GAW02232000	12	51	GAW02342000	16	18	GAW02401B00	24	2-43
GAW02241000	14	28	GAW02342000	20	11	GAW02402000	24	3-4-40
GAW02242000	14	9	GAW02343000A	16	19	GAW02402A00	24	3-4-40
GAW02243000	14	22	GAW02343000A	20	12	GAW02403000	6	34-35
GAW02244000	10	35	GAW023510A0	16	20	GAW02403000	24	5-6-41
GAW02244000	14	17	GAW023510A0	20	13	GAW02403A00	10	1
GAW02245000	14	5	GAW02352000	16	21	GAW02403A00	24	5-6-41
GAW02246000	14	21	GAW02352A00	22	56	GAW02404000	24	58
GAW02247000	14	34	GAW023530A0	16	22	GAW02404000	26	58
GAW02248000	14	36	GAW023530A0	20	14	GAW02405000	24	8-42
GAW023010B0	16	2	GAW02354000	16	23	GAW02405A00	24	8-42
GAW023010B0	20	2	GAW02354000	20	15	GAW02406000	26	59

NUMERICAL INDEX OF PARTS

PART NO	PAGE	REF NO.	PART NO	PAGE	REF NO.	PART NO	PAGE	REF NO.
GAW02406A00	60	21	GAW02603000	20	18	GAW027650A0	52	21
GAW02406B00	60	22	GAW02604000	6	36	GAW027650A0	56	16
GAW02406C00	24	44	GAW02604000	10	16	GAW02766AA0	52	26
GAW02407000	24	24	GAW02605000	2	34	GAW02766DA0	56	21
GAW02408000	24	9	GAW02606000	2	35	GAW02767AA0	38	11
GAW02409000	24	10	GAW02607000	2	36	GAW02767DA0	34	59
GAW02410000	24	45	GAW02608000	14	20	GAW02769DA0	52	9
GAW02411000	26	51	GAW02613000	16	28	GAW02769DA0	56	4
GAW025010A0A	62	1·28	GAW02613000	20	20	GAW02770DA0	56	42
GAW02502000A	62	3·29	GAW02621000	2	37	GAW027730A0	52	36
GAW02502AA0	62	3·29	GAW02622000	26	52	GAW027730A0	56	28
GAW02521000	36	1	GAW02701000	2	9·10	GAW02774AA0	60	10
GAW02522000	62	5	GAW02702000	24	3·4·40	GAW02775AA0	38	12·13
GAW02541A00	62	33	GAW02703000	6	34·35	GAW02775CA0	38	12·13
GAW02552000	42	63	GAW02703000	24	5·6·41	GAW027760A0	56	44
GAW02553000	40	12	GAW02705000	6	29·30	GAW02777DA0	56	43
GAW02554000	40	13	GAW027060A0	60	12	GAW02782000	52	8
GAW02555000	40	14	GAW027060A0	66	22	GAW02784000	54	57
GAW02556000	40	15	GAW027060A0	68	19	GAW02784D00	56	45
GAW02557000	40	16	GAW02711000	42	48	GAW028010B0	50	1
GAW02557A00	40	17	GAW02711A00	42	49	GAW02801BB0	52	14
GAW02558000	40	18	GAW02722000	60	14	GAW02801DB0	56	9
GAW02558A00	40	19	GAW02722A00	60	15	GAW028020A0	50	2
GAW02559000	40	20	GAW02723000	60	16	GAW028020A0	52	15
GAW02559000	46	36	GAW02724000	60	17	GAW02802DA0	56	10
GAW02560000	40	21	GAW027260A0	62	2	GAW028030A0	24	1
GAW02561000	40	22	GAW02726AA0	62	4	GAW028040A0	60	9
GAW02563000	40	10	GAW02728000	62	27	GAW028170A0	28	17
GAW02565000	42	62	GAW02741D00	52	1	GAW028170A0	32	39
GAW02566000	40	1	GAW02741D00	56	1	GAW028270A0	24	11
GAW02571000	46	47	GAW02742D00	52	2	GAW02831000	50	3
GAW02572000	48	48	GAW02742D00	56	2	GAW028320A0	50	4
GAW02573000	48	49	GAW02743000	60	7	GAW028330A0	36	22
GAW02574000	48	50	GAW02743AA0	60	6	GAW028340A0	36	23
GAW02575000	48	51	GAW02744A00	60	8	GAW028340A0	52	25
GAW02577000	48	52	GAW02752AA0	52	22	GAW028350A0	50	5
GAW02578000	48	54	GAW02752DA0	56	17	GAW028360A0	36	24
GAW02579000	46	32	GAW02753000	52	4	GAW028370A0	36	25
GAW02581000	46	1	GAW02761000	52	19	GAW028380A0	36	26
GAW02601000	2	33	GAW02761000	56	14	GAW028380A0	46	43
GAW02601000	16	25	GAW027620A0	52	20	GAW028380A0	52	29
GAW02601000	20	17	GAW027620A0	56	15	GAW028390A0	50	6
GAW02602000	16	27	GAW027630A0	56	19	GAW028410A0	36	2
GAW02602000	20	19	GAW02763AA0	52	24	GAW02851000	2	38
GAW02603000	16	26	GAW027640A0	56	20	GAW02852000	2	39

NUMERICAL INDEX OF PARTS

PART NO	PAGE	REF NO.	PART NO	PAGE	REF NO.	PART NO	PAGE	REF NO.
GAW02853000	16	29	HX00354000K	50	10	PA0600504A0	32	68
GAW02853000	22	60	J106600000A	62	7	PA0600504A0	34	68
GAW02854000	16	30	M1010590000	60	1	PA1001026A0	2	43
GAW02854000	22	57	M1011590000	60	2	PA1001027A0	16	39
GAW02855000	8	48	M85905130AA	46	41	PA1001027A0	20	28
GAW02855000	10	12	MA011532000	64	53	PC012406000	36	10
GAW02856000	16	31	MAT81163T00	42	56	PC012406000	38	4
GAW02856000	22	58	MAT81163T00	46	45	PC012406000	44	4
GAW028610A0	2	40	NM6030001SC	46	35	PC012601000	36	11
GAW028620A0	2	41	NM6030002SC	4	48	PC012601000	38	5
GAW028630A0	16	32	NM6030003SC	16	43	PC012601000	44	5
GAW028630A0	20	21	NM6030003SC	20	30	PF0552070A0	52	41
GAW028640A0	16	33	NM6030003SC	50	9	PJ030520001	52	43
GAW028640A0	20	22	NM6040000SN	48	62	PJ032039001	24	20
HD00057000A	28	35	NM6040001SC	6	38	PJ032054001	40	27
HD00057000A	34	50	NM6040001SC	10	56	PJ042520002	54	48
HF0037060PA	62	10	NM6040001SC	12	56	PJ046039001	16	40
HK004440020	58	48	NM6040001SC	14	40	PJ046052503	2	44
HK043450060	52	6	NM6040001SC	16	44	PJ046052503	22	59
HM0003800A0	52	10	NM6040001SC	40	46	PJ046052503	24	14
HM0003800A0	56	5	NM6040001SC	52	13	PJ046052503	28	39
HM000860010	50	7	NM6040001SC	56	8	PJ046052503	32	11
HX00150000B	24	17	NM6040002SE	4	74	PJ046054002	8	49
HX00150000C	24	18	NM6040002SE	24	21	PJ210006200	36	43
HX00150000E	28	36	NM6050001SC	28	25	PJ210006200	52	40
HX00150000E	34	48	NM6050001SC	32	36	PJ210006200	56	32
HX00150000G	24	19	NM6050001SC	64	58	PJ301040001	36	12
HX00150000H	36	18	NM6050001SE	62	55	PJ301040001	38	6
HX00150000K	36	19	NM6050001SE	64	55	PJ301040001	44	6
HX00188000E	52	30	NM6060001SE	64	56	PJ301065103	36	44
HX00188000E	56	22	NM6060001SE	66	15	PJ301065103	42	58
HX00188000F	54	54	NM6080002SC	4	75	PJ301065103	54	52
HX00188000F	56	39	NM6080721SE	62	19	PJ301065103	56	37
HX00252000B	52	31	NM6120001SE	46	14	PJ301065103	62	32
HX00252000B	56	23	NM6160511SE	28	37	PJ303040002	36	13
HX002560000	54	58	NM6160511SE	32	37	PJ303040002	38	7
HX002560000	56	46	NM6850001SC	24	22	PJ303040002	44	7
HX003050000	52	33	NS6110350SP	16	45	PJ304040504	16	41
HX003050000	56	25	NS6110350SP	20	31	PJ304060502	12	53
HX00337000A	26	56	NS6110420SP	28	38	PJ308040002	44	9
HX003390000	52	16	NS6110420SP	32	27	PJ308060001	44	10
HX003390000	56	11	NS6110530SP	28	24	PJ308060004	36	14
HX00339000D	52	17	NS6660430SP	32	61	PJ308060004	38	8
HX00339000D	56	12	NS6660430SP	34	61	PJ308060004	42	61
HX00354000J	24	47	PA0600504A0	28	30	PJ308060004	56	33

NUMERICAL INDEX OF PARTS

PART NO	PAGE	REF NO.	PART NO	PAGE	REF NO.	PART NO	PAGE	REF NO.
PJ308060006	36	15	SD0601211TP	68	14	SL6030892TN	14	33
PJ308060006	38	9	SK1413200SC	40	39	SL6030892TN	18	66
PJ308065202	52	46	SK3311600SC	62	14	SL6030892TN	20	62
PJ308080001	36	16	SK3382001SC	46	46	SL6030892TN	22	62
PJ309005203	52	45	SK3382001SE	62	35	SL6030892TN	24	23
PJ4010008A0	36	17	SK3412001SE	38	28	SL6030892TN	28	45
PJ4010008A0	38	10	SK3452001SE	62	9	SL6030892TN	32	49
PJ4010008A0	44	8	SK3452500SC	54	49	SL6030892TN	34	49
PV120203000	36	3	SK3452500SC	62	13	SL6031042TN	4	57
PV120203000	52	37	SK3482501SE	40	59	SL6031092TN	4	58
PV120203000	56	29	SK3482501SE	42	59	SL6031092TN	6	41
PV130204000	36	5	SK3482501SE	46	37	SL6031092TN	10	44
PV130204000	52	39	SK3512001SE	42	55	SL6031092TN	14	27
PV130204000	56	31	SK3512001SE	48	57	SL6031092TN	18	53
PV130204100	36	4	SK3513201SE	46	17	SL6031092TN	20	51
PV130204100	52	38	SK3513201SE	54	55	SL6031092TN	22	51
PV130204100	56	30	SK3513201SE	56	40	SL6031092TN	24	26
PV205201000	52	44	SK3514001SE	42	53	SL6031092TN	36	20
RE0300000K0	16	46	SL4030691SC	60	11	SL6031292TN	4	59
RE0300000K0	20	32	SL4031681SC	52	7	SL6031292TN	14	31
RE0400000K0	6	17	SL4032591SC	36	45	SL6031292TN	18	55
RE0400000K0	10	34	SL4032591SC	54	50	SL6031292TN	20	37
RE0400000K0	14	16	SL4032591SC	56	35	SL6031292TN	32	41
RE0400000K0	28	40	SL4033591SC	36	6	SL6031492TN	26	49
RE0400000K0	32	47	SL4033591SC	54	51	SL6031642TN	18	56
RE0600000K0	4	50	SL4033591SC	56	36	SL6031642TN	20	38
RE1000000K0	66	14	SL4040891SC	52	42	SL6032092TN	6	42
RO098240100	66	16	SL4040891SC	56	18	SL6032092TN	10	45
SB104001500	28	4	SL4041091SC	40	36	SL6040892TN	4	62
SB104001500	32	14	SL4043091SC	52	11	SL6040892TN	26	57
SB105001500	6	4	SL4043091SC	56	6	SL6040892TN	28	47
SB105001500	10	21	SL4051091SC	36	42	SL6040892TN	34	58
SB105001500	14	3	SL6030592TN	26	48	SL6041042TN	4	66
SB106000900	6	5	SL6030692TN	4	51	SL6041092TN	4	61
SB106000900	10	22	SL6030692TN	6	39	SL6041092TN	18	68
SB106000900	14	4	SL6030692TN	16	54	SL6041092TN	20	53
SB108000200	2	45	SL6030692TN	18	54	SL6041092TN	22	53
SB108000500	2	46	SL6030692TN	20	63	SL6041092TN	40	32
SB230000100	2	1	SL6030692TN	22	63	SL6041292TN	4	79
SD0400356TP	66	26	SL6030692TN	24	54	SL6041292TN	6	44
SD0450179TP	66	31	SL6030692TN	26	54	SL6041292TN	10	57
SD0450179TP	68	12	SL6030692TN	28	42	SL6041292TN	12	57
SD0550211SP	16	42	SL6030692TN	32	19	SL6041292TN	14	38
SD0550211SP	20	29	SL6030892TN	4	56	SL6041692TN	4	63
SD0601211TP	66	29	SL6030892TN	10	18	SL6041692TN	14	37

NUMERICAL INDEX OF PARTS

PART NO	PAGE	REF NO.	PART NO	PAGE	REF NO.	PART NO	PAGE	REF NO.
SL6041692TN	18	59	SM6030802TN	20	41	ST40316110R	60	3
SL6041692TN	22	54	SM6030802TN	30	49	SV4031006SR	60	4
SL6042092TN	6	45	SM6030802TN	34	51	WP0220301SC	24	31
SL6042092TN	10	47	SM6041602TN	40	40	WP0320501SC	4	80
SL6042092TN	14	30	SM6044002TP	18	61	WP0320501SC	18	69
SL6042592TN	4	64	SM6050802TN	62	23	WP0320501SC	46	34
SL6042592TN	12	54	SM6052700SC	64	61	WP0330516SC	50	11
SL6043592TN	40	45	SM6061610SC	62	37	WP0430801SC	4	78
SL6051292TN	24	37	SM6851602TN	24	29	WP0430801SC	6	46
SL6051292TN	36	21	SM8030302TP	4	67	WP0430801SC	10	55
SL6051292TN	46	40	SM8030302TP	6	23	WP0430801SC	12	55
SL6062092TN	24	27	SM8030302TP	10	15	WP0430801SC	14	39
SL9082091SE	46	12	SM8030302TP	18	63	WP0430801SC	24	32
SM0030601SC	14	35	SM8030302TP	20	43	WP0430801SC	30	53
SM0030601SC	30	48	SM8030302TP	24	50	WP0430801SC	32	43
SM0030601SC	34	57	SM8030302TP	26	50	WP0430801SC	40	42
SM0030801SC	26	60	SM8030302TP	30	52	WP0430801SC	48	61
SM0030801SC	46	33	SM8030312TP	6	50	WP0430801SC	52	53
SM0030801SC	60	23	SM8030312TP	8	50	WP0430801SC	54	53
SM0040601SC	40	43	SM8030312TP	10	41	WP0430801SC	56	38
SM0040801SC	40	35	SM8030312TP	14	42	WP0451016SP	28	3
SM0041001SC	40	2	SM8030312TP	32	24	WP0451016SP	40	4
SM0042501SN	10	10	SM8030602TP	4	68	WP0482086SD	40	47
SM0050801SC	48	63	SM8030612TP	68	13	WP0531001SC	30	50
SM0051001SC	30	56	SM8040402TP	4	70	WP0531001SC	32	35
SM0051001SC	32	34	SM8040402TP	16	64	WP0531001SC	62	24
SM1032001SC	4	60	SM8040402TP	18	64	WP0550836SC	48	58
SM1033501SC	50	8	SM8040402TP	20	44	WP0553216SD	40	60
SM1040801SC	48	55	SM8040412TP	6	24	WP0553216SD	42	60
SM1041201SC	48	59	SM8040412TP	10	29	WP0641601SC	24	33
SM4030501SB	36	37	SM8040412TP	14	19	WP0641601SC	60	20
SM4030501SB	38	24	SM8040412TP	18	62	WP0841601SC	4	72
SM4030501SB	46	27	SM8040412TP	20	42	WP0871602SE	62	20
SM4041001SB	36	38	SM8040612TP	2	47	WP1302501SE	46	15
SM4041001SB	38	25	SM8050812TP	4	71	WP1612616SE	64	51
SM4041001SB	46	28	SM8063012TR	66	17	WS0210002KN	24	34
SM4051405SE	62	43	SM9061853SR	66	18	WS0310002KN	50	12
SM4055501SC	48	56	SM9062053SR	66	19	WS0310002KN	66	33
SM4061201SE	64	54	SM9082023SE	62	18	WS0410002KN	10	6
SM6021002TN	24	28	SS2090640TP	16	37	WS0410002KN	24	55
SM6030402TN	28	5	SS2090640TP	20	26	WS0410002KN	26	55
SM6030402TN	32	15	SS4121215SP	62	25	WS0410002KN	40	41
SM6030602TN	4	53	SS6090420SP	68	5	WS0410002KN	48	60
SM6030602TN	66	32	SS6151812TP	60	18	WS0410002KN	54	56
SM6030802TN	18	60	SS6700710SH	66	11	WS0410002KN	56	41

NUMERICAL INDEX OF PARTS

PART NO	PAGE	REF NO.
WS0411002KN	6	47
WS0610002KN	24	36
WS0610002KN	60	19
WS0820002KN	4	73
WS0861410KR	62	21
WS1253010KN	46	16