

MODEL : MF-7605-K02

List No : 1204-00

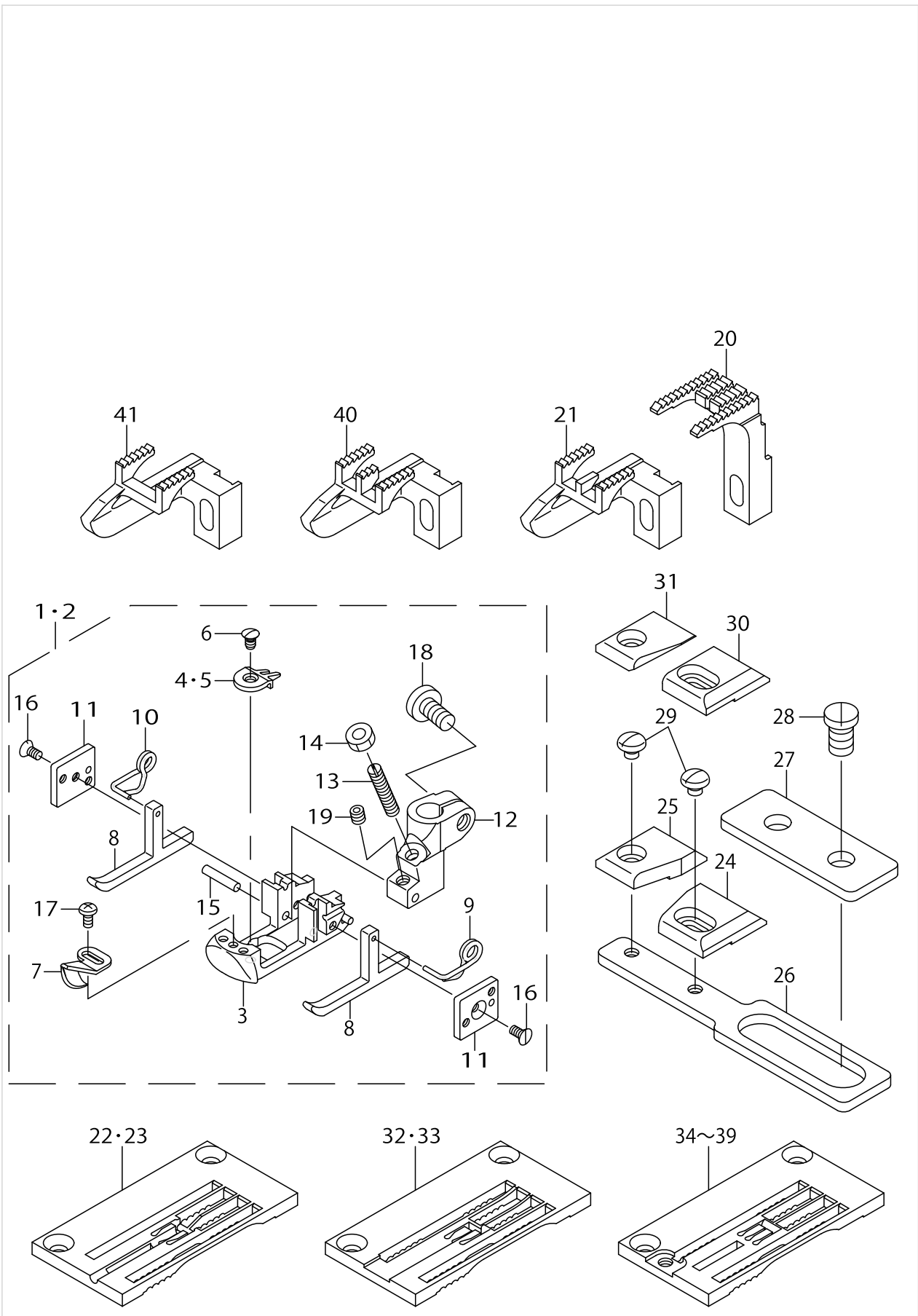
# PARTS LIST

Published:09/10/2017

## CONTENTS

---

MF-7000 SERIES (MF-7600-K02).....	1
HOW TO MAKE USE OF THIS PARTS LIST .....	3



MF-7000 SERIES (MF-7600-K02)

No.	Parts No.	Parts name	Remarks	Level	Cons	Qty
1	US0050320BU	PRESSER FOOT ASM.	FOR 4.8MM			1
2	US0050320BV	PRESSER FOOT ASM.	FOR 5.6MM			1
3	US0050330ET	PRESSER FOOT		*		1
4	US050397A48	STITCH TONGUE	FOR 4.8MM	*		1
5	30150106	STITCH TONGUE	FOR 5.6MM	*		1
6	30098008	SCREW		*		1
7	US0050330EJ	CLOTH GUIDE	ACCESSORIES PART	*		1
8	US0050330EK	YIELDING SECTION		*		2
9	US0050330EL	SPRING,RIGHT		*		1
10	US0050330EM	SPRING,LEFT		*		1
11	US0050330EN	PRESSER FOOT GUIDE PLATE		*		2
12	US0050330EP	PRESSER FOOT HINGE		*		1
13	US0018C1475	SCREW		*		1
14	NM6030250SC	NUT M3X0.5		*		1
15	PH0200102C0	PARALLEL PIN		*		1
16	SM1020450TP	SCREW M2 L=4		*		2
17	SM4020401SC	SCREW M2 L=4	ACCESSORIES PART	*		1
18	SM7040800SL	SCREW		*		1
19	SM8030382TP	SCREW M3X0.5 L=3		*		1
20	US0050305BT	MAIN FEED DOG				1
21	US0050326BM	FEED DOG				1
22	US050324D48	THROAT PLATE FOR COVERING	FOR 4.8MM			1
23	US050324D56	THROAT PLATE FOR COVERING	FOR 5.6MM			1
24	US0050337AG	GUIDE,RIGHT(FLATTENING OUT)				1
25	US0050337AH	GUIDE,LEFT(FLATTENING OUT)				1
26	US0050383AA	GUIDE BRACKET				1
27	US0050337AF	GUIDE PLATE				1
28	30220107	SCREW				2
29	SS4080310SP	SCREW 1/8-44 L=3.4				2
30	30159206	GUIDE,RIGHT(FOLDING OVER)	OPTION			1
31	30159305	GUIDE,LEFT(FOLDING OVER)	OPTION			1
32	US50324DA48	THROAT PLATE FOR COVERING	OPTION (FOR D48)			1
33	US50324DA56	THROAT PLATE FOR COVERING	OPTION (FOR D56)			1
34	US050324A48	THROAT PLATE FOR HEMMING	OPTION (FOR A48)			1
35	US050324B48	THROAT PLATE (FOR HEMMING)	OPTION (FOR B48)			1
36	US050324C48	THROAT PLATE FOR HEMMING	OPTION (FOR C56)			1
37	US050324A56	THROAT PLATE FOR HEMMING	OPTION (FOR A56)			1
38	US050324B56	THROAT PLATE FOR HEMMING	OPTION (FOR B56)			1
39	US050324C56	THROAT PLATE FOR HEMMING	OPTION (FOR C56)			1
40	30159404	DIFFERENTIAL FEED DOG	FOR HEMMING			1
41	30160006	DIFFERENTIAL FEED DOG	FOR FOLDING OVER OVER-LOCK SEAM			1

## HOW TO MAKE USE OF THIS PARTS LIST

1.As to "#01" and "#02" refer to the "Note" given at the bottom of the respective pages.

2.Codes on the "Qty" column

- Each numeral indicates the number of parts required.
- "0.1" and "2.5" indicate the length (in meters) of the respective parts.

3.Parentheses mean that the corresponding part is a subpart that constructs an assembly part.

4.Dotted lines on the Figures indicate assembly parts.

1. リストページの# 0 1、# 0 2の印は、ページ下の"注記"の説明を参照下さい。
2. 数量欄の数字は、個数を表し、0. 1、2. 5等の数値は、長さ（単位メートル）を表します。
3. 数量欄の（ ）は、組部品を構成している子部品であることを意味します。
4. イラストページの-----枠は、組構成であることを意味します。

ALL PARTS NOT MENTIONED IN THIS PARTS LIST ARE SAME AS THOSE OF  
MODEL MF-7600-L01. OTHER PARTS LIST RELATED TO THIS MODEL.  
\*MF-7000 SERIES(MF-7600-L01)(NO.1135 PART NO.29199304)

このパーツリスト記載以外の部品はMF-7600-L01と共通です。  
この機種に関連するパーツリストとして下記のパーツリストがあります。  
\*MF-7000シリーズ (MF-7600-L01)  
(NO. 1135 品番29199304)

## NUMERICAL INDEX OF PARTS

PART NO	PAGE	REF NO.
30098008	2	6
30150106	2	4·5
30159206	2	30
30159305	2	31
30159404	2	40
30160006	2	41
30220107	2	28
NM6030250SC	2	14
PH0200102C0	2	15
SM1020450TP	2	16
SM4020401SC	2	17
SM7040800SL	2	18
SM8030382TP	2	19
SS4080310SP	2	29
US0018C1475	2	13
US0050305BT	2	20
US0050320BU	2	1·2
US0050320BV	2	1·2
US0050326BM	2	21
US0050330EJ	2	7
US0050330EK	2	8
US0050330EL	2	9
US0050330EM	2	10
US0050330EN	2	11
US0050330EP	2	12
US0050330ET	2	3
US0050337AF	2	27
US0050337AG	2	24
US0050337AH	2	25
US0050383AA	2	26
US050324A48	2	34~39
US050324A56	2	34~39
US050324B48	2	34~39
US050324B56	2	34~39
US050324C48	2	34~39
US050324C56	2	34~39
US050324D48	2	22·23
US050324D56	2	22·23
US050397A48	2	4·5
US50324DA48	2	32·33
US50324DA56	2	32·33