

MODEL : PK-70

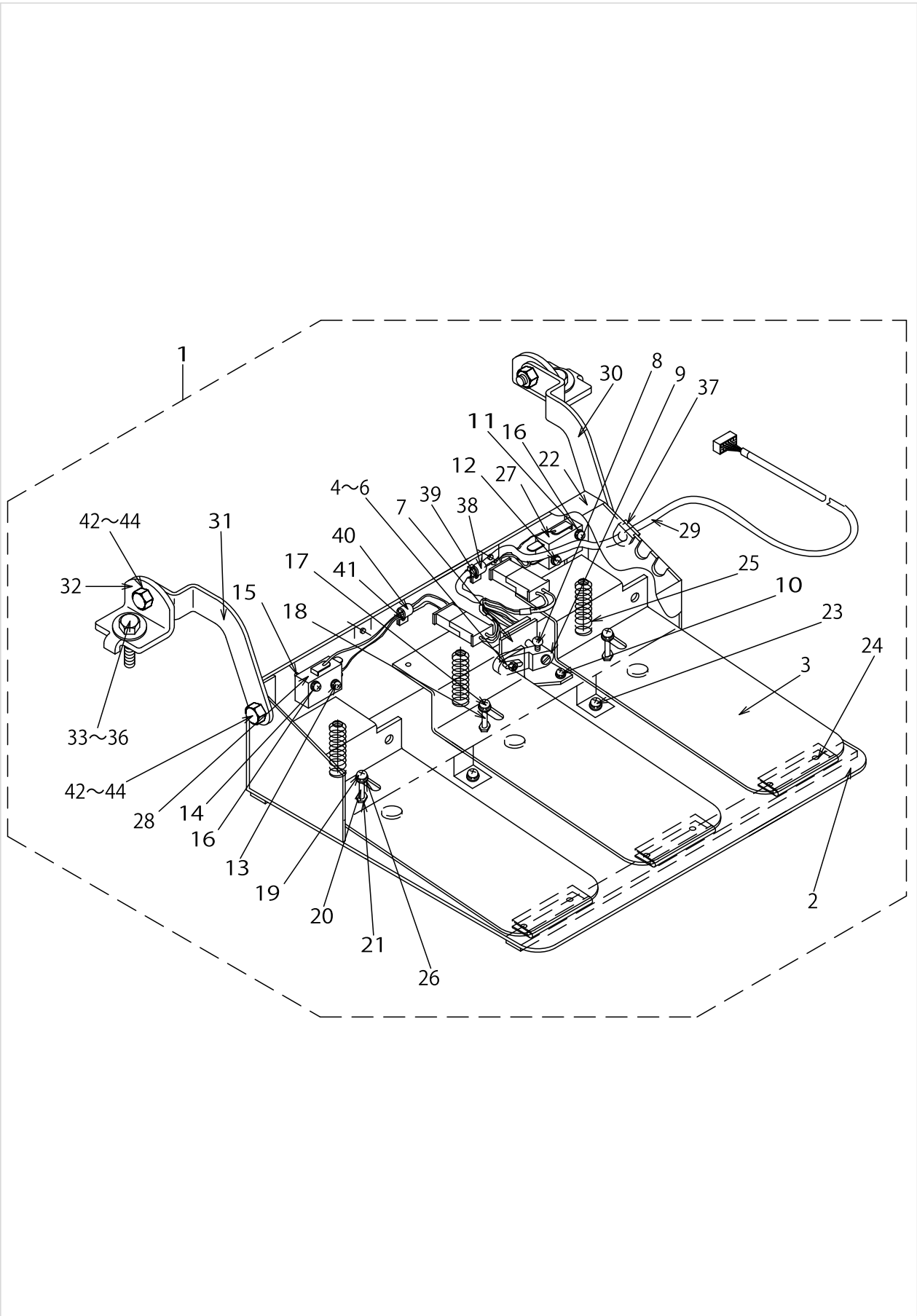
List No : 0869-01

PARTS LIST

Published:09/10/2017

CONTENTS

PK-70.....	1
HOW TO MAKE USE OF THIS PARTS LIST	3



PK-70

No.	Parts No.	Parts name	Remarks	Level	Cons	Qty
1	GPK700010A0	3-JOINT PEDAL, 70				1
2	GPK700020A0	PEDAL BASE UNIT, 70		*		1
3	GPK260030AA	PEDAL		*		3
4	GPK12005000	PEDAL LINK PIN		*		1
5	NM6040001SC	NUT M4		*		1
6	NM6040003SC	NUT M4		*		1
7	GPK12006000	VOLUME INSTALLING PLATE		*		1
8	SM4030801SN	SCREW M3 L=8		*		1
9	M2004110000	VOLUME LINK		*		1
10	SL4030681SC	SCREW M3 L=6		*		2
11	SL4031891SC	SCREW M3 L=18		*		1
12	SL4031691SC	SCREW M3 L=16		*		1
13	SL4031891SC	SCREW M3 L=18		*		1
14	SL4032081SC	SCREW M3 L=20		*		1
15	GPK18022000	MICRO SWITCH COLLAR		*		2
16	NM6030003SC	NUT M3		*		2
17	SL4043091SC	SCREW M4 L=30		*		1
18	GPK26027000	VIRIABLE PEDAL GUIDE COLLAR		*		1
19	SL4042591SC	SCREW M4 L=25		*		2
20	GPK26026000	SWITCH PEDAL GUIDE COLLAR		*		2
21	NM6040003SC	NUT M4		*		3
22	GPK1800200A	SWITCH COVER		*		1
23	SL4040691SC	SCREW M4 L=6		*		4
24	SM1030501SC	SCREW M3 L=5		*		6
25	GPK14013000	PEDAL SPRING		*		3
26	WP0430801SC	WASHER 4.3X9X0.8		*		3
27	GPK700030A0	SWITCH ASM., RIGHT		*		1
28	GPK700040A0	SWITCH ASM., LEFT		*		1
29	GPK700050A0	SENSOR VOLUME ASM.		*		1
30	GPK1800600AA	PEDAL BASE JOINT, RIGHT		*		1
31	GPK1800700AA	PEDAL BASE JOINT, LEFT		*		1
32	11159001	PEDAL SHAFT BRACKET		*		2
33	SM9082023SE	SCREW M8 L=20		*		2
34	WP0871602SE	WASHER 8.7X18X1.6		*		2
35	WS0861410KR	SPRING WASHER 8.6X15X1.4		*		2
36	NM6080721SE	NUT M8		*		2
37	GPK26023000	BUSH A		*		1
38	MAZ02508000	CORD HOLDER		*		1
39	SL4040891SC	SCREW M4 L=8		*		1
40	HX001230000	CABLE CLIP		*		1
41	SL4040881SC	SCREW M4 L=8		*		1
42	SM9081620SE	SCREW M8 L=16		*		4
43	NM6080002SE	NUT M8		*		4
44	GPK26022000	JOINT FITTING COLLAR		*		4

HOW TO MAKE USE OF THIS PARTS LIST

1.As to "#01" and "#02" refer to the "Note" given at the bottom of the respective pages.

2.Codes on the "Qty" column

- Each numeral indicates the number of parts required.
- "0.1" and "2.5" indicate the length (in meters) of the respective parts.

3.Parentheses mean that the corresponding part is a subpart that constructs an assembly part.

4.Dotted lines on the Figures indicate assembly parts.

1. リストページの# 0 1、# 0 2の印は、ページ下の"注記"の説明を参照下さい。
2. 数量欄の数字は、個数を表し、0. 1、2. 5等の数値は、長さ（単位メートル）を表します。
3. 数量欄の（ ）は、組部品を構成している子部品であることを意味します。
4. イラストページの-----枠は、組構成であることを意味します。

NUMERICAL INDEX OF PARTS

PART NO	PAGE	REF NO.
11159001	2	32
GPK12005000	2	4~6
GPK12006000	2	7
GPK14013000	2	25
GPK1800200A	2	22
GPK1800600AA	2	30
GPK1800700AA	2	31
GPK18022000	2	15
GPK260030AA	2	3
GPK26022000	2	42~44
GPK26023000	2	37
GPK26026000	2	20
GPK26027000	2	18
GPK700010A0	2	1
GPK700020A0	2	2
GPK700030A0	2	27
GPK700040A0	2	28
GPK700050A0	2	29
HX001230000	2	40
M2004110000	2	9
MAZ02508000	2	38
NM6030003SC	2	16
NM6040001SC	2	4~6
NM6040003SC	2	21
NM6080002SE	2	42~44
NM6080721SE	2	33~36
SL4030681SC	2	10
SL4031691SC	2	12
SL4031891SC	2	13
SL4032081SC	2	14
SL4040691SC	2	23
SL4040881SC	2	41
SL4040891SC	2	39
SL4042591SC	2	19
SL4043091SC	2	17
SM1030501SC	2	24
SM4030801SN	2	8
SM9081620SE	2	42~44
SM9082023SE	2	33~36
WP0430801SC	2	26
WP0871602SE	2	33~36
WS0861410KR	2	33~36