

MODEL : DU-141NH

List No : 0659-02

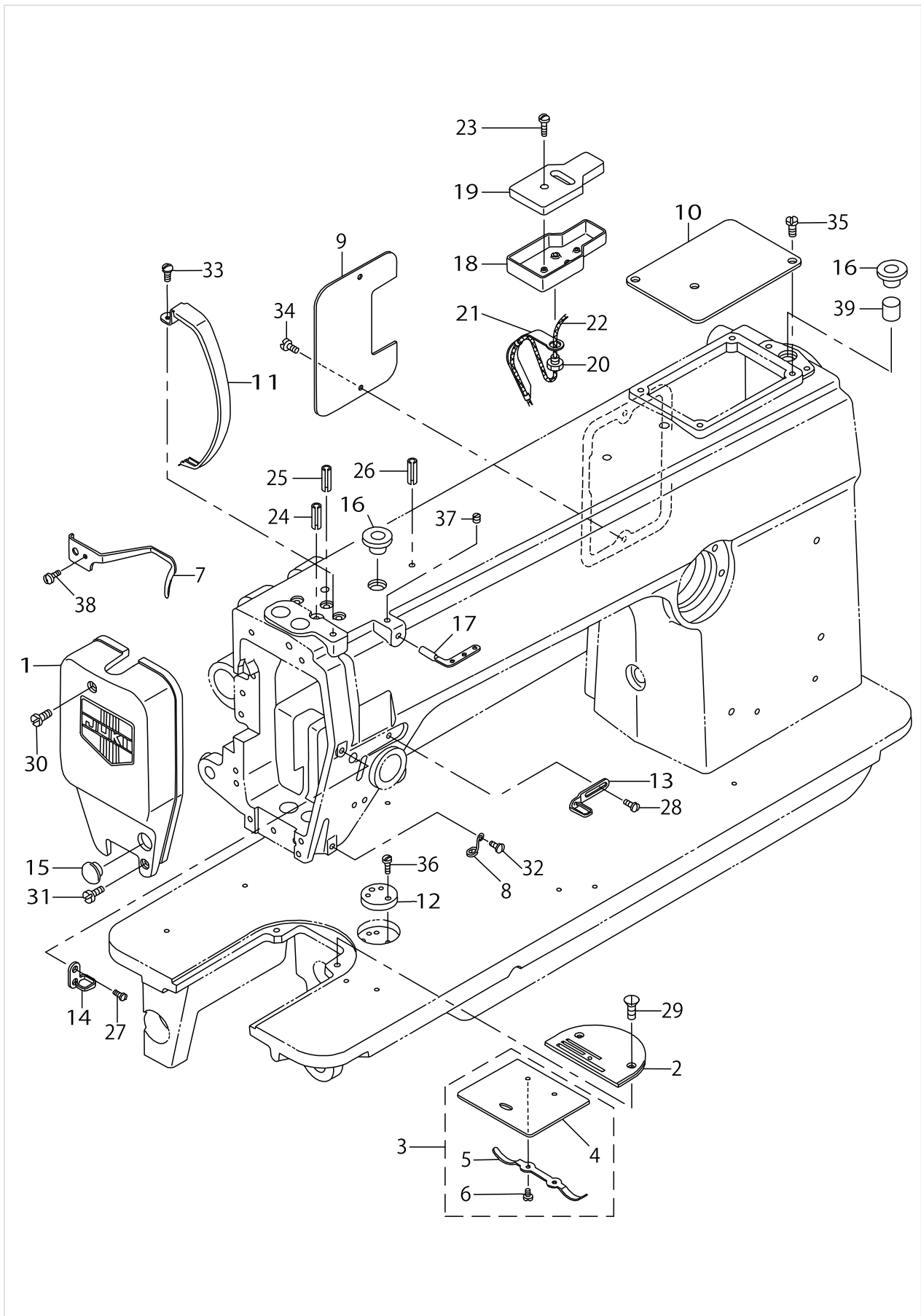
PARTS LIST

Published:09/10/2017

CONTENTS

FRAME & MISCELLANEOUS COVER COMPONENTS	1
MAIN SHAFT & ARM SHAFT COMPONENTS	3
NEEDLE BAR & THREAD TAKE-UP LEVER COMPONENTS	5
PRESSER BAR COMPONENTS	7
FEED MECHANISM COMPONENTS.....	9
HOOK DRIVING SHAFT COMPONENTS	13
THREAD TENSION COMPONENTS	15
UPPER FEED MECHANISM COMPONENTS	17
KNEE LIFTER & OIL PAN COMPONENTS	21
BELT COVER & THREAD WINDER COMPONENTS	23
THREAD STAND COMPONENTS.....	25
TABLE COMPONENTS	27
ACCESSORIES PARTS COMPONENTS	29
LIST FOR INFORMATION OF CHANGE (1).....	31
LIST FOR INFORMATION OF CHANGE (2).....	32
HOW TO MAKE USE OF THIS PARTS LIST	33

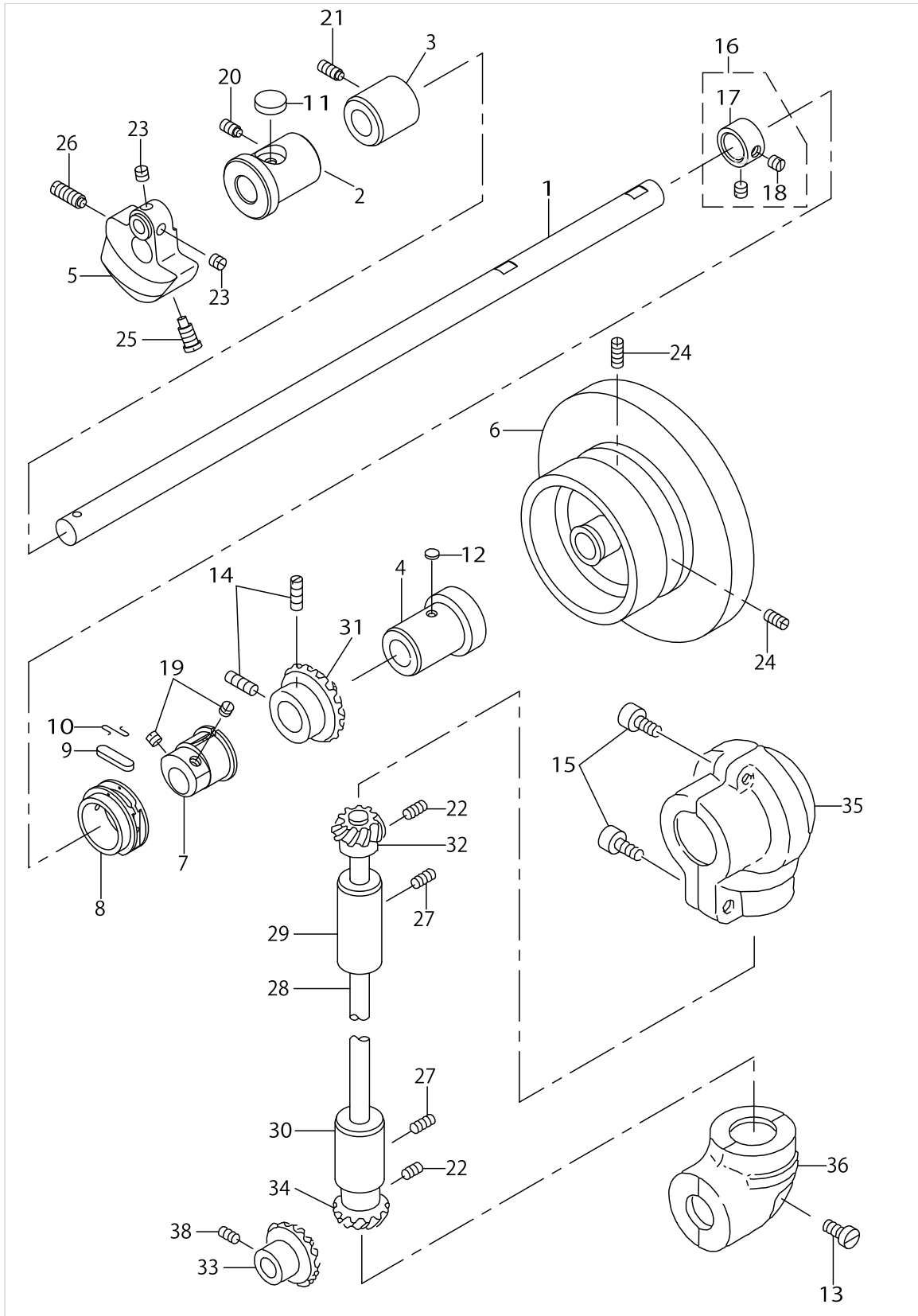
FRAME & MISCELLANEOUS COVER COMPONENTS



FRAME & MISCELLANEOUS COVER COMPONENTS

No.	Parts No.	Parts name	Remarks	Level	Cons	Qty
1	B1121141HA0D	FACE PLATE ASM.				1
2	B1105141H00	THROAT PLATE D=2.6				1
3	B11100120A0	BED SLIDE ASM.				1
4	B1110012000	SLIDE PLATE		*		1
5	B1111012000	BED SLIDE SPRING		*		1
6	SS6060210SP	SCREW 3/32-56 L= 1.9		*		2
7	21286802	THREAD GUIDE				1
8	B1129141H00	THREAD GUIDE				1
9	B1118141H00A	SIDE PLATE				1
10	B1150141H00A	TOP COVER				1
11	B1123141H00	THREAD TAKE-UP LEVER COVER				1
12	B1103141H00	SCALE BASE PLATE				1
13	D1126560E00A	ARM THREAD GUIDE A				1
14	B1131141H00	FRAME THREAD GUIDE, B				1
15	TA1250406R0	RUBBER PLUG				1
16	B1156115000	RUBBER PLUG				2
17	B1128522000	THREE HOLE THREAD EYELET				1
18	B3503201000	OIL RESERVOIR				1
19	B3504201000	OIL FELT				1
20	B3515201000	CLAMP SLEEVE NUT				1
21	B3527012000	HOLDER				1
22	CQ202000000	OIL WICK				0.3
23	SS7112420SP	SCREW 11/64-40 L=24				1
24	PS0350102KR	SPRING PIN 3.5X10				1
25	PS0350102KR	SPRING PIN 3.5X10				1
26	PS0350102KR	SPRING PIN 3.5X10				1
27	SS2090710SP	SCREW 9/64-40 L=7				1
28	SS5090610SP	SCREW 9/64-40 L=6				1
29	SS2110920TP	SCREW 11/64-40 L=8.5				2
30	SS7112420SP	SCREW 11/64-40 L=24				1
31	SS6111610SP	SCREW 11/64-40 L=16				1
32	SS7090620TP	SCREW 9/64-40 L=6.1				1
33	SS7110510SP	SCREW 11/64-40 L=5				1
34	SS7110710SP	SCREW 11/64-40 L=7				2
35	SS7110710SP	SCREW 11/64-40 L=7				2
36	SS7110720SP	SCREW 11/64-40 L=7				2
37	SS8110410TP	SCREW 11/64-40 L= 3.5				1
38	SS6110610TP	SCREW 11/64-40 L=6				1
39	B3517009000	OIL FELT REAR				1

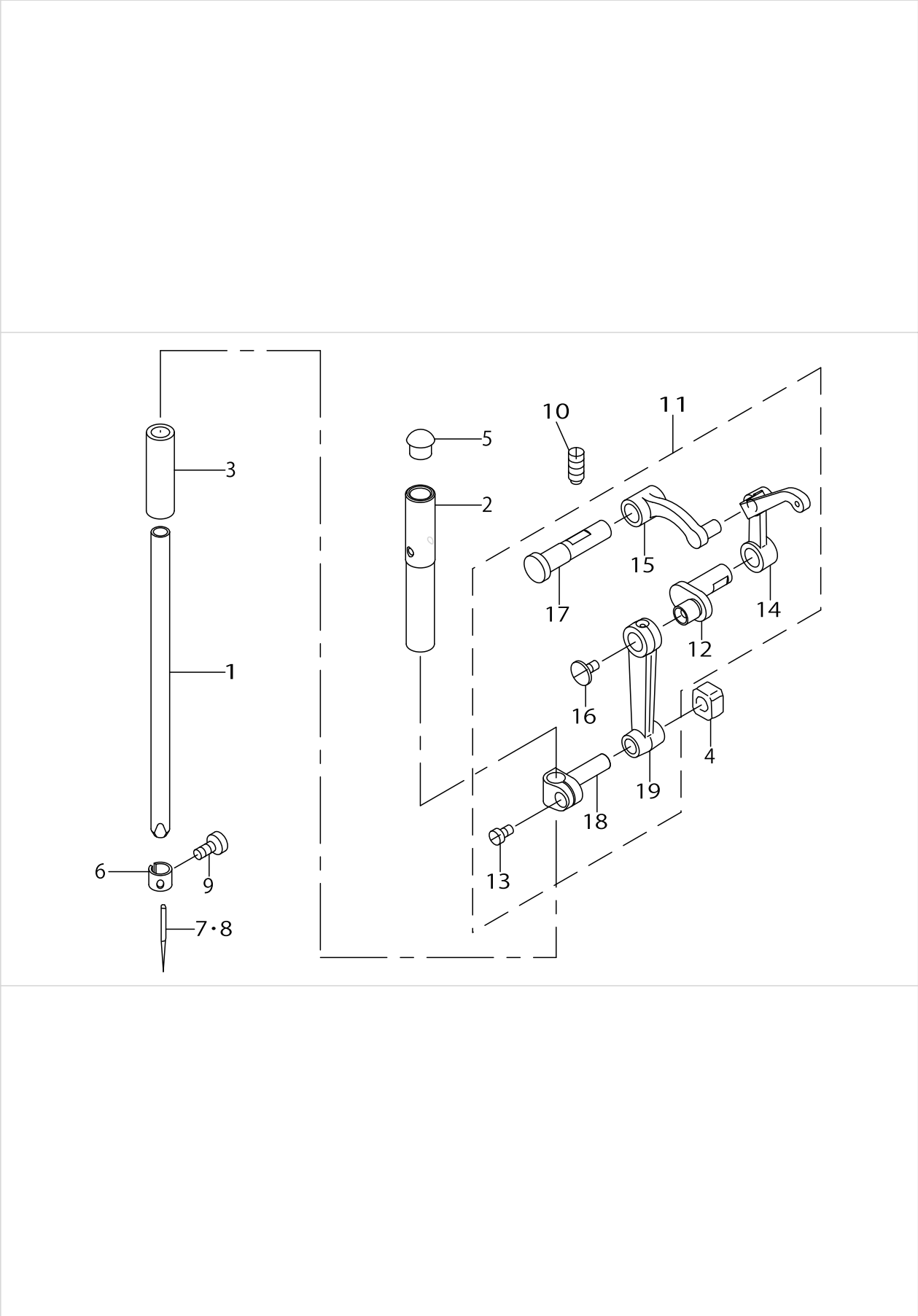
MAIN SHAFT & ARM SHAFT COMPONENTS



MAIN SHAFT & ARM SHAFT COMPONENTS

No.	Parts No.	Parts name	Remarks	Level	Cons	Qty
1	D1201141E00A	MAIN SHAFT				1
2	B1202141H0A	ARM SHAFT BUSHING, FRONT				1
3	B1203141H00	MAIN SHAFT BUSHING, INTERMEDIA				1
4	B1204141H00	ARM SHAFT BUSHING, REAR				1
5	D1206141E00	COUNTERWEIGT				1
6	21286604	FLYWHEEL				1
7	B1211141H00	FEED ECCENTRIC CAM				1
8	B1211226000	ECCENTRIC RETAINER HOUSING				1
9	B1212012000	OIL FELT				1
10	B1213012000	FELT RETAINER				1
11	B1203051000	OIL FELT				1
12	B3511280000	OIL FELT				1
13	SM6051410SC	SCREW M5X0.8 L=14				1
14	SS8660610TP	SCREW 1/4-40 L=6				2
15	SM6031202TP	SCREW M3X0.5 L=12				2
16	22904155	MAIN SHAFT THRUST COLLAR ASM.				1
17	22904106	MAIN SHAFT THRUST COLLAR		*		1
18	SS8660610TP	SCREW 1/4-40 L=6		*		2
19	SS8150710SP	SCREW 15/64-28 L=7				2
20	SS8151150SP	SCREW 15/64-28 L=10.5				1
21	SS8151550SP	SCREW 15/64-28 L=15				1
22	SS8660810TP	SCREW 1/4-40 L=8				6
23	SS8660610TP	SCREW 1/4-40 L=6				2
24	SS8151550SP	SCREW 15/64-28 L=15				2
25	SS7681750TP	SCREW 9/32-28 L=16.5				1
26	SS8681950SP	SCREW 9/32-28 L=19				1
27	SS8151550SP	SCREW 15/64-28 L=15				2
28	B1301201000	UPRIGHT SHAFT				1
29	B1302271000	UPRIGHT SHAFT BUSHING,UPPER				1
30	B1303271000	BUSHING, LOWER				1
31	B13050120A0	GEAR ASM.				1
32	B13061550A0	PINION ASM.				1
33	B13071550A0	GEAR ASM. LARGE				1
34	B13081550A0	PINION ASM.				1
35	B13052710B0	GEAR CASE ASM.				1
36	B13072710A0	PINION CASE ASM.				1

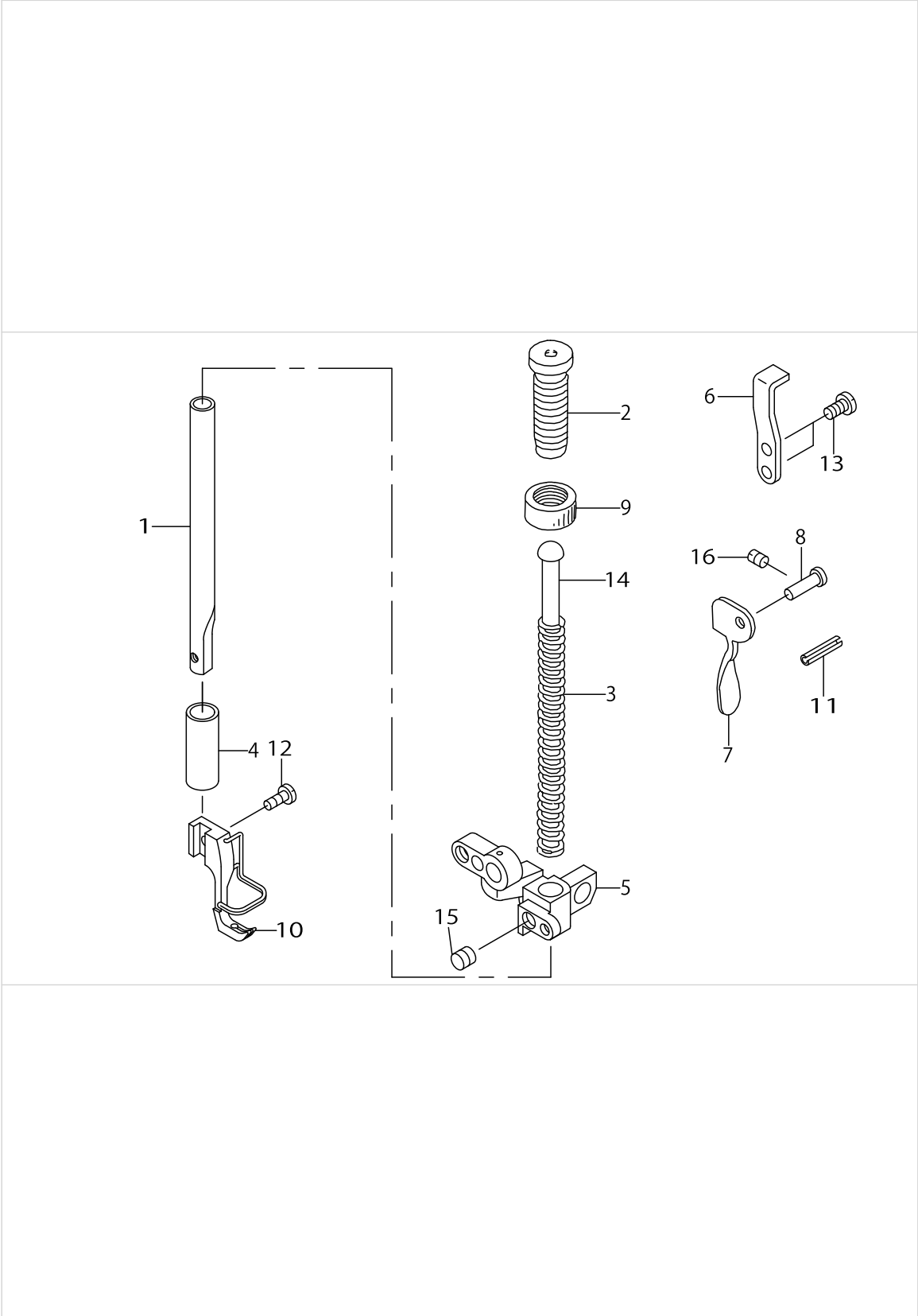
NEEDLE BAR & THREAD TAKE-UP LEVER COMPONENTS



NEEDLE BAR & THREAD TAKE-UP LEVER COMPONENTS

No.	Parts No.	Parts name	Remarks	Level	Cons	Qty
1	B1401141H0A	NEEDLE BAR				1
2	22906101	NEEDLE BAR BUSHING, UPPER				1
3	D1403141E00	NEEDLE BAR BUSHING, LOWER				1
4	B1414555000	SLIDE BLOCK				1
5	B1405012000	CAP				1
6	D1418141E00	NEEDLE BAR THREAD GUIDE				1
7	MDB100B2100	NEEDLE DBX1 #21	EXCEPT JE			1
8	MC142501300	NEEDLE 1738 130	FOR JE			1
9	SS7080510TP	SCREW 1/8-44 L=4.5				1
10	SS8151550SP	SCREW 15/64-28 L=15				1
11	B1901141HA0	THREAD TAKE-UP LEVER ASM.				1
12	B1210141H00	NEEDLE BAR CRANK		*		1
13	SS6090670TP	SCREW 9/64-40 L=6		*		1
14	B1901141H00	THREAD TAKE-UP LEVER		*		1
15	B1902115000	THREAD TAKE-UP CRANK		*		1
16	B1903141H00	END SCREW LEFT		*		1
17	B1904115000	THREAD TAKE-UP CRANK SHAFT STU		*		1
18	B14115520A0	NEEDLE ROD HOLDER ASM.		*		1
19	B1408141H00	NEEDLE BAR CRANK ROD		*		1

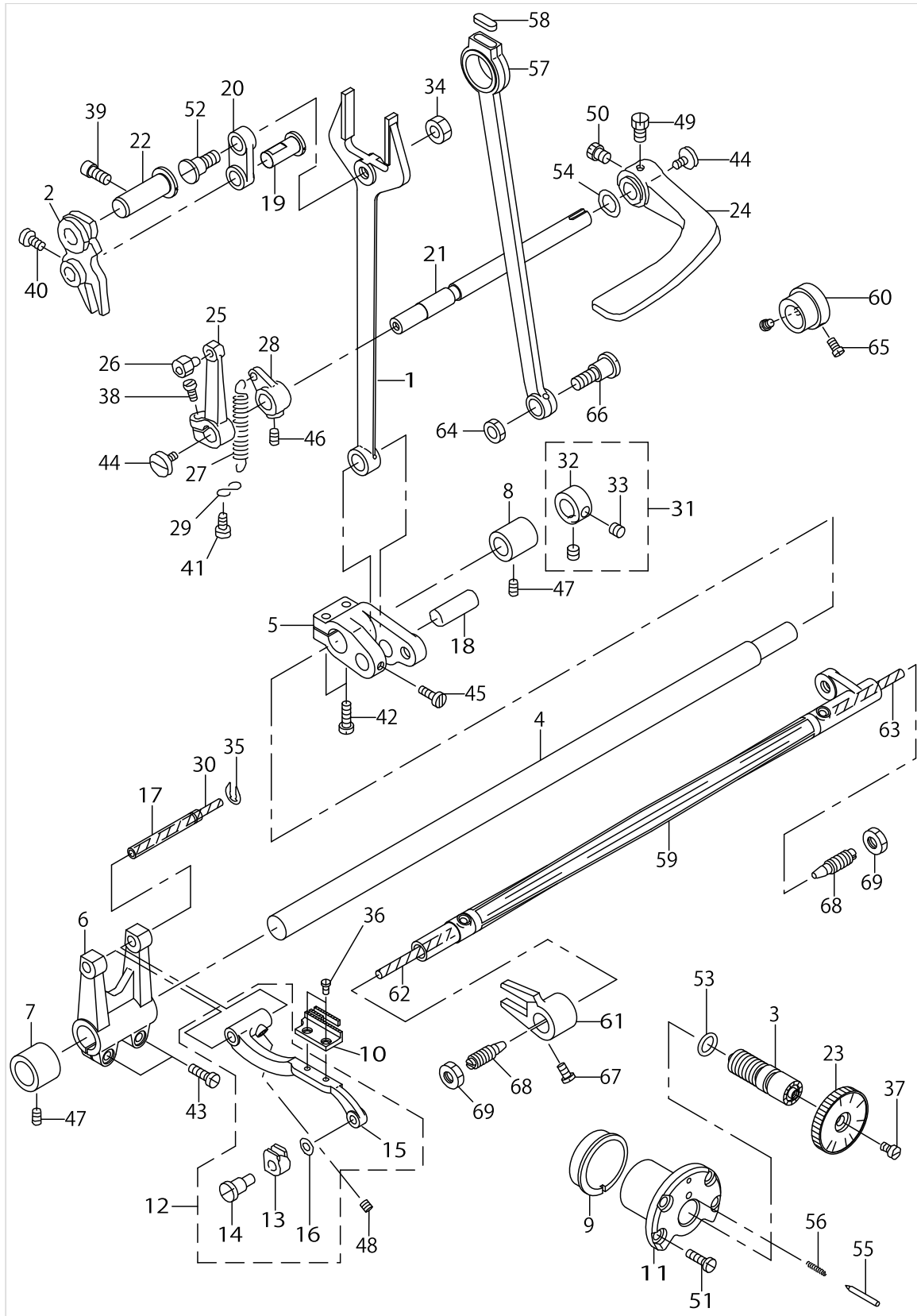
PRESSER BAR COMPONENTS



PRESSER BAR COMPONENTS

No.	Parts No.	Parts name	Remarks	Level	Cons	Qty
1	B1501127000	PRESSER BAR				1
2	B1509555000	PRESSER SPRING REGULATOR				1
3	B1505227T00A	PRESSER SPRING T				1
4	B1510155000	PRESSER BAR LOWER BUSHING				1
5	21103304	PRESSER BAR GUIDE BRACKET				1
6	B1515141H00	LIFTING LEVER				1
7	B1512141H00	HAND LIFTER				1
8	B1513141H00	HAND LIFTER SHAFT				1
9	B1511555000	NUT 1/2-28				1
10	D1525141EA0	PRESSER FOOT ASM.				1
11	PS0300132KH	SPRING PIN 3X13				1
12	SS7091110SP	SCREW 9/64-40 L=10.5				1
13	SS7110840SP	SCREW 11/64-40 L=7.8				2
14	22907703	PRESSER GUIDE BAR				1
15	SS8660610TP	SCREW 1/4-40 L=6				1
16	SS8110750SP	SCREW 11/64-40 L= 6.5				1

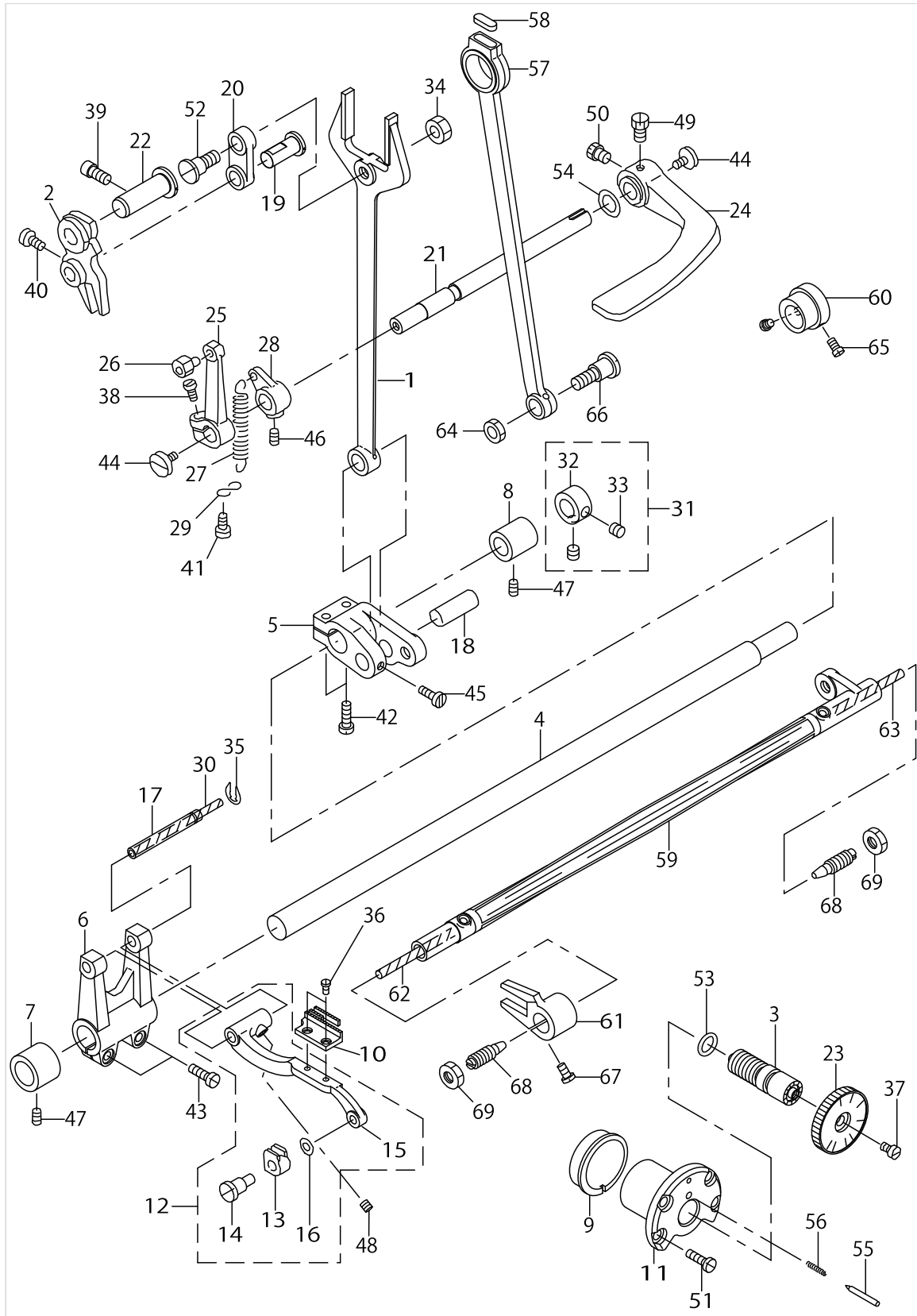
FEED MECHANISM COMPONENTS



FEED MECHANISM COMPONENTS

No.	Parts No.	Parts name	Remarks	Level	Cons	Qty
1	B1614141H00	PITMAN				1
2	D1620141E00	FEED REGULATOR				1
3	21273008	STITCH LENGTH REGULATING SCREW				1
4	B1601141H00	FEED ROCK SHAFT				1
5	B1605141H00	FEED ROCKER SHAFT CRANK				1
6	B1603141H00	FEED ROCKER				1
7	B1604141H00	BUSHING, FRONT				1
8	11847308	BUSHING, REAR				1
9	B1637141H00	ECCENTRIC BUSHING				1
10	B1613141H00	FEED DOG				1
11	21273107	STITCH DIAL BASE				1
12	B1606141HA0	FEED BAR ASM.				1
13	B1705155000	FEED DRIVING SLIDE BLOCK		*		1
14	B1706155000	FEED DRIVING SLIDE BLOCK HINGE		*		1
15	B1606141H00	FEED BAR		*		1
16	B1707155000	FEED DRIVING SLIDE BLOCK WASHE		*		1
17	B1604012000A	FEED BAR SHAFT				1
18	B1611155000A	HINGE STUD FOR PITMAN				1
19	21272802	HINGE PIN				1
20	B1619141H00	FEED REGULATOR CONNECTING LINK				1
21	B1621141H00A	CONTROL LEVER SHAFT				1
22	21272604	HINGE PIN				1
23	D1623141E0A	SCALE PLATE				1
24	B1624555000	REVERSE FEED CONTROL LEVER				1
25	B1627226000	REVERSE FEED CONTROL LEVER CRA				1
26	B16331220A0	CRANK SLIDE BLOCK STUD ASM.				1
27	B1646201000	TENSION SPRING				1
28	B1647226000	SUSPENSION BRACKET (A)				1
29	B1648122000	SUSPENSION HOOK (B)				1
30	CQ202000000	OIL WICK				0.2
31	CS1111101CSH	THRUST COLLAR ASM.D=11.11 W=10				1
32	CS11111019SH	THRUST COLLAR D=11.11 W=10		*		1
33	SS8660610TP	SCREW 1/4-40 L=6		*		2
34	NS6680410SP	NUT 9/32-28				1
35	RE0500711KP	SNAP RING 5				1
36	SS4080620TP	SCREW 1/8-44 L=6				2
37	SS6121050SP	SCREW 3/16-28 L= 9.5				1
38	SS6121210SP	SCREW 3/16-28 L=12				1
39	SS6151220SP	SCREW 15/64-28 L=11.5				1
40	SS6661110SP	SCREW 1/4-40 L=11				1
41	SS7090710SP	SCREW 9/64-40 L= 6.8				1
42	SS7121410SP	SCREW 3/16-28 L=14				2
43	SS7121410SP	SCREW 3/16-28 L=14				2
44	SS7620750SP	SCREW 3/16-32 L= 6.5				2
45	SS7120910SP	SCREW 3/16-28 L=9				1
46	SS8150710SP	SCREW 15/64-28 L=7				1
47	SS8150710SP	SCREW 15/64-28 L=7				2

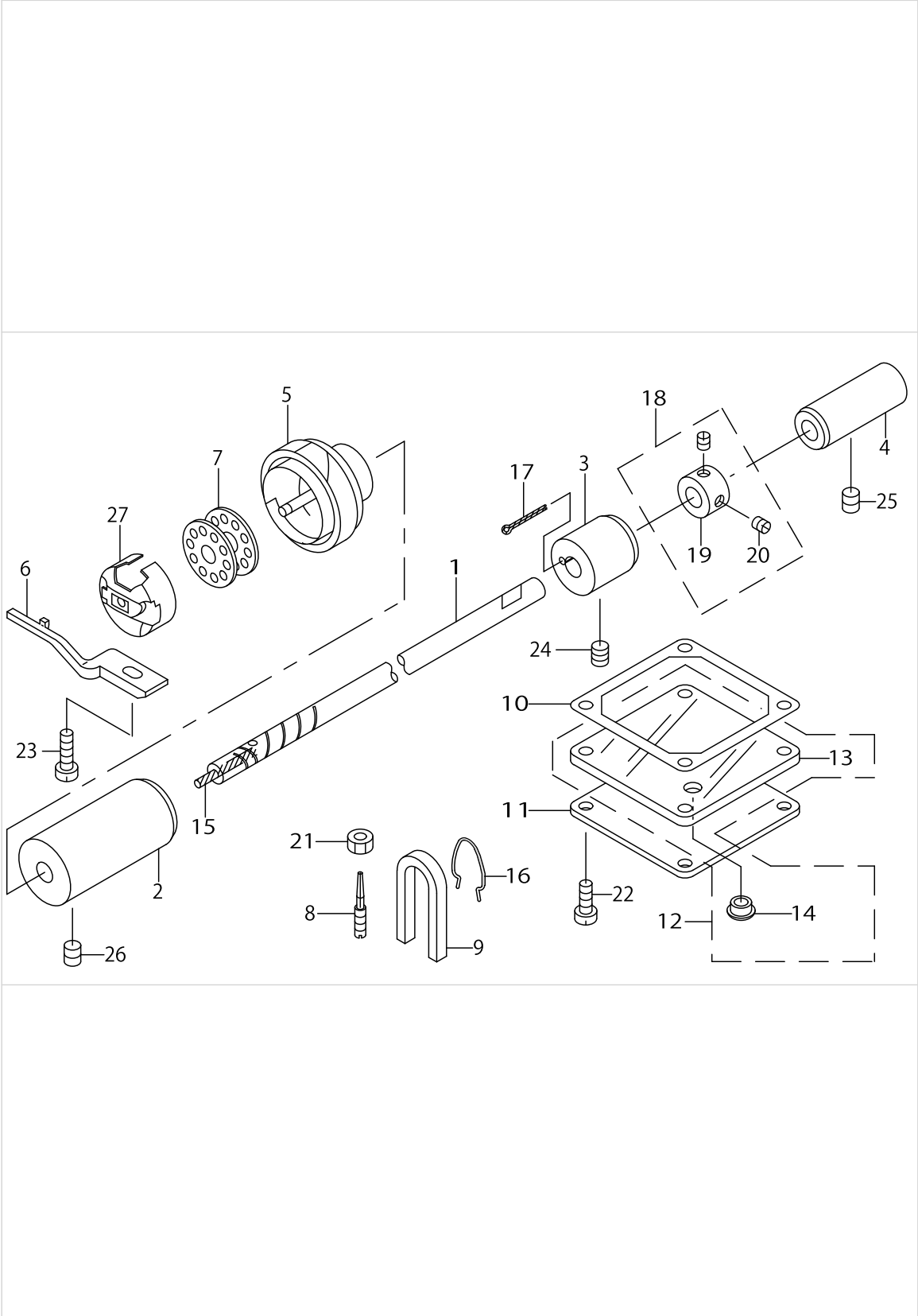
FEED MECHANISM COMPONENTS



FEED MECHANISM COMPONENTS

No.	Parts No.	Parts name	Remarks	Level	Cons	Qty
48	SS8620610TP	SCREW 3/16-32 L=6				1
49	SS9660720SP	SCREW 1/4-40 L=7				1
50	SS9660720SP	SCREW 1/4-40 L=7				1
51	B1638141H00	SCREW				4
52	SD0950802SH	HINGE SCREW D= 9.53 H= 8				1
53	RO092270200	RUBBER RING				1
54	WZ1052010KP	WAVED WASHER				1
55	B1147141H00	PIN				1
56	B1148141H00	SPRING				1
57	B1701115000	FEED DRIVING SHAFT CONNECTING				1
58	11002904	ROLLER FELT				1
59	B1705141H00	FEED DRIVING SHAFT				1
60	B1208141H00	FEED CAM ASM.				1
61	B1704141H00	FEED LIFTING FORK				1
62	CQ202000000	OIL WICK				0.1
63	CQ202000000	OIL WICK				0.1
64	NS6680410SP	NUT 9/32-28				1
65	SS6110710TP	SCREW 11/64-40 L= 6.5				2
66	SD1020961SP	HINGE SCREW D=10.2 H=9.6				1
67	SS7111120SP	SCREW 11/64-40 L=10.5				1
68	B1113012000	CENTER SCREW				2
69	NS6740510SP	NUT 3/8-28				2

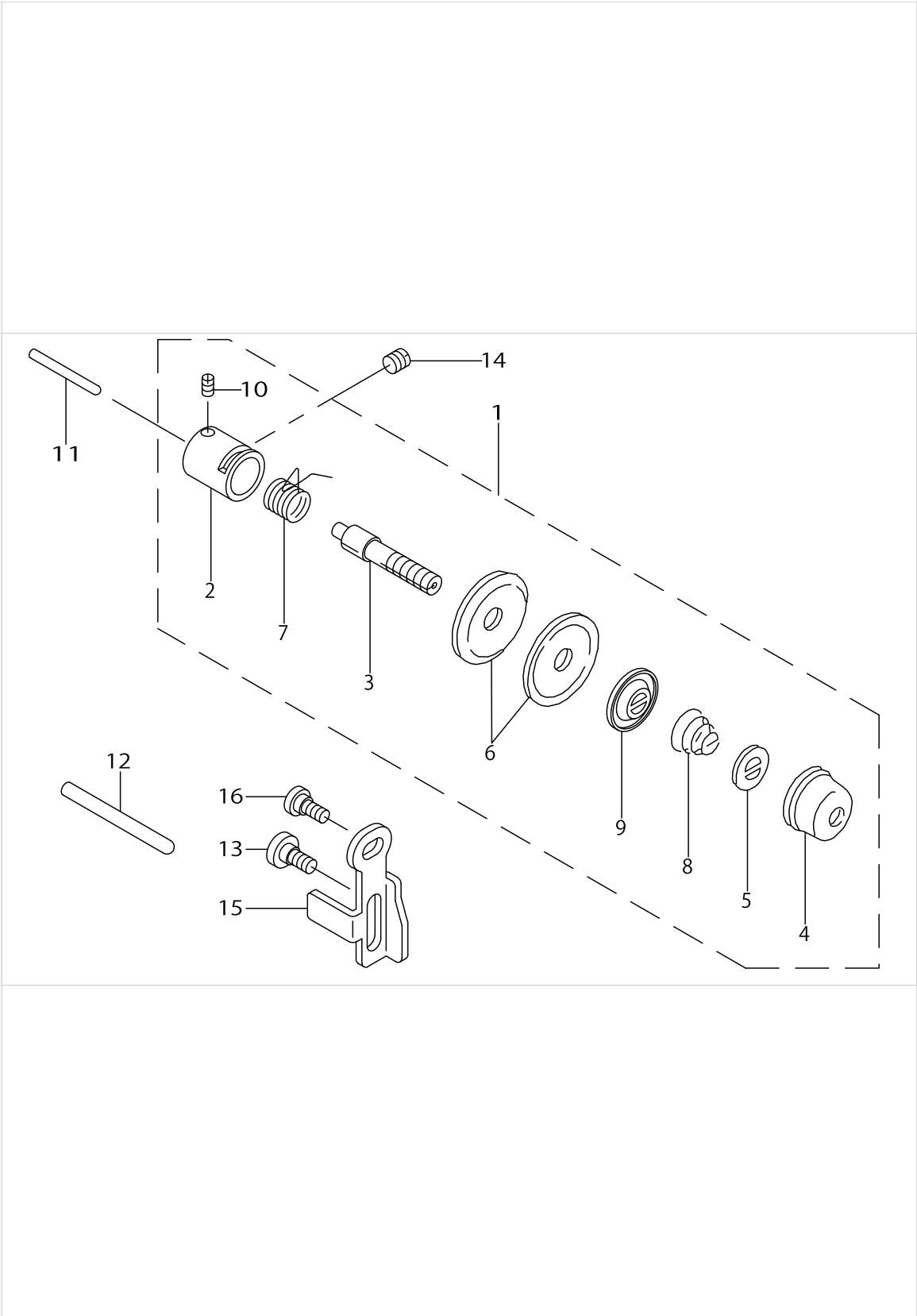
HOOK DRIVING SHAFT COMPONENTS



HOOK DRIVING SHAFT COMPONENTS

No.	Parts No.	Parts name	Remarks	Level	Cons	Qty
1	B1801141H00	HOOK DRIVING SHAFT				1
2	B1802141H00A	DRIVING SHAFT BUSHING, FRONT				1
3	B1803141H00	BUSHING, INTERMEDIATE				1
4	B1806271000	LOWER SHAFT BUSHING,REAR				1
5	B1830141HA0	HOOK ASM.				1
6	B1835012000	BOBBIN CASE POSITIONING FINGER				1
7	B9117201000	BOBBIN				1
8	B1834512000A	OIL ADJUSTING SCREW				1
9	B1155141H00	OIL PIEP				1
10	B1152141H00	GASKET				1
11	B1154141H00	OIL PUMP COVER				1
12	B1151141HA0	COVER ASM.				1
13	B1151141H00	LUBRICATING OIL PUMP COVER		*		1
14	TA0750404R0	PLUG D=7.5 L=3.5		*		1
15	CQ200000000	OIL WICK				0.1
16	B1156141H00	FELT HOLDER				1
17	CQ202000000	OIL WICK				0.1
18	CS0791010SH	THRUST COLLAR ASM. D=7.94 W=10				1
19	CS0791016SH	THRUST HOLDER D=7.94 W=10		*		1
20	SS8110520TP	SCREW 11/64-40 L= 4.5		*		2
21	NS6110530SP	NUT 11/64-40				1
22	SS6111210SP	SCREW 11/64-40 L=12				4
23	SS6111140SP	SCREW 11/64-40 L=11				1
24	SS8150710SP	SCREW 15/64-28 L=7				1
25	SS8150710SP	SCREW 15/64-28 L=7				1
26	SS8151550SP	SCREW 15/64-28 L=15				1
27	21271556	BOBBIN CASE ASM.				1

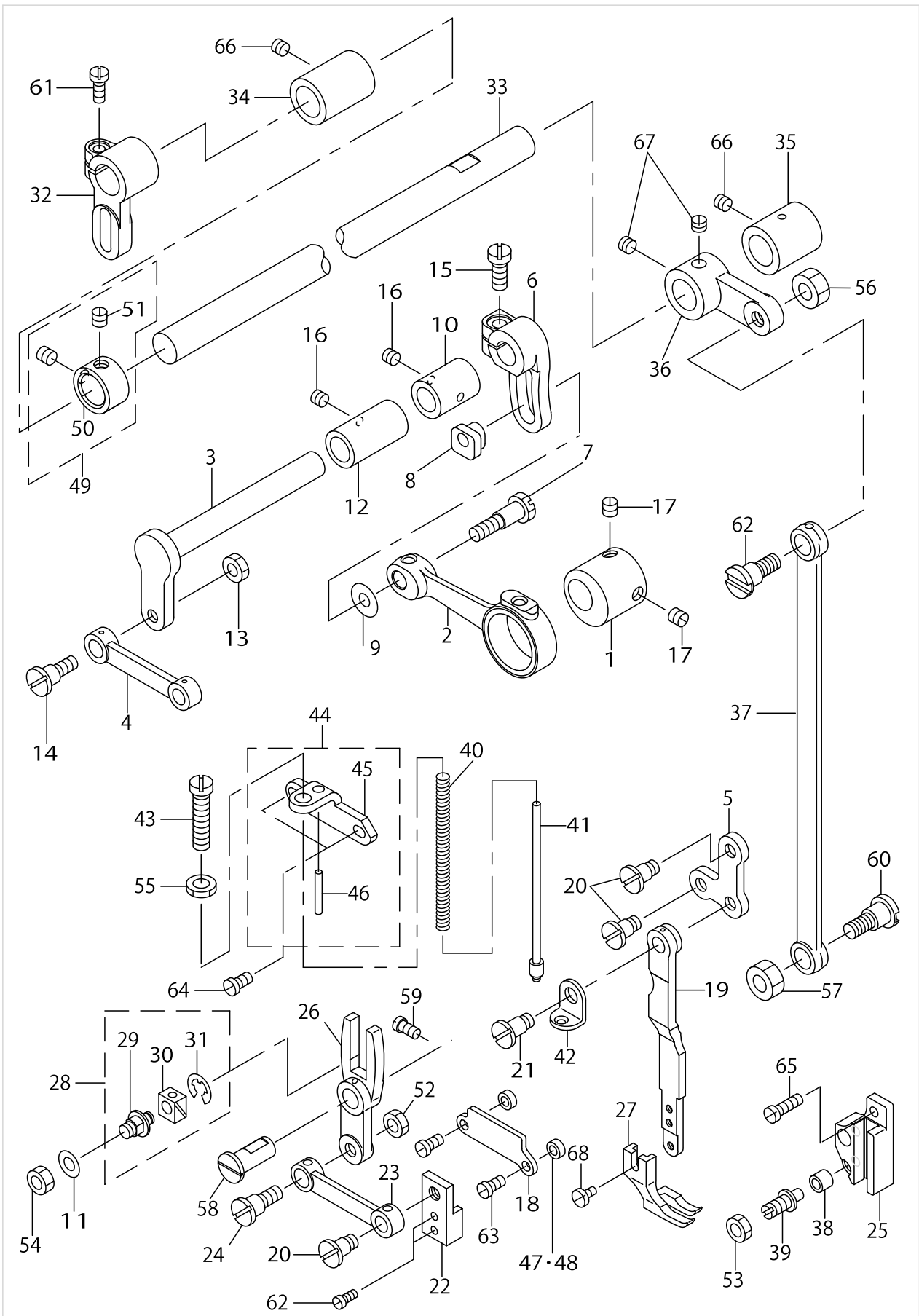
THREAD TENSION COMPONENTS



THREAD TENSION COMPONENTS

No.	Parts No.	Parts name	Remarks	Level	Cons	Qty
1	D3111141EA0	TENSION CONTROLLER ASM.				1
2	B3111126000	TENSION POST SOCKET		*		1
3	B3115552000	TENSION POST		*		1
4	11018900	TENSION NUT		*		1
5	B3120125000	ROTATING STOPPER		*		1
6	B3126012000	THREAD TENSION DISK		*		2
7	B3128012000	TAKE-UP SPRING		*		1
8	B3129053000	TENSION SPRING		*		1
9	B3132552000	THREAD TENSION DISK PRESSER		*		1
10	SS8090670SP	SCREW 9/64-40 L= 5.5		*		1
11	B3118552F00	TENSION RELEASING PIN				1
12	B3127127000	THREAD RELEASE AUXILIARY PIN				1
13	SD0600321SP	HINGE SCREW D=6 H=3.2				1
14	SS8150710SP	SCREW 15/64-28 L=7				1
15	B3134141H00	TENSION RELEASE PLATE				1
16	SD0600271SP	HINGE SCREW D= 6 H= 2.7				1

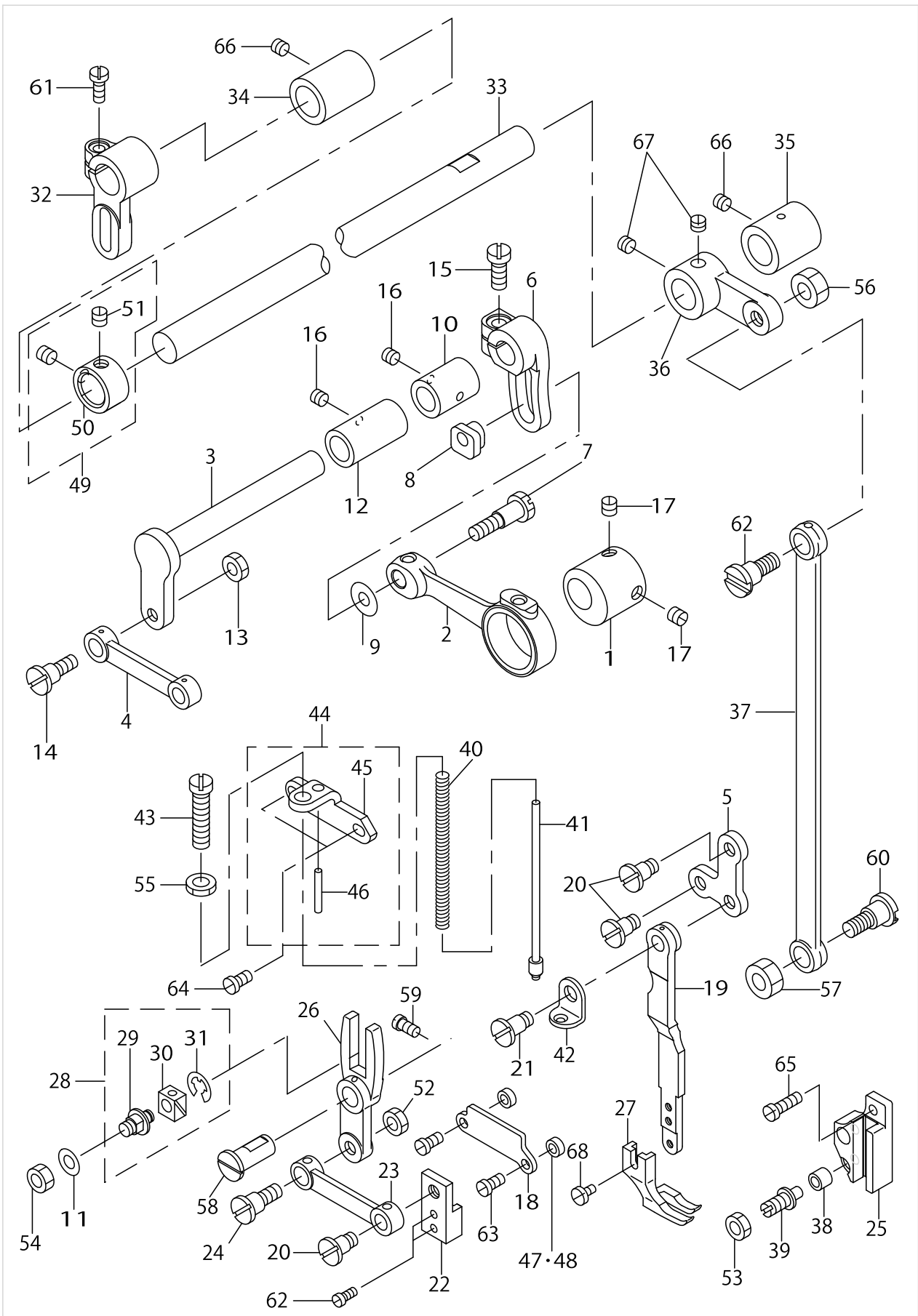
UPPER FEED MECHANISM COMPONENTS



UPPER FEED MECHANISM COMPONENTS

No.	Parts No.	Parts name	Remarks	Level	Cons	Qty
1	B3001141H00	FEED DRIVE ECCENTRIC CAM				1
2	B3002141H00	CRANK CONNECTING ROD				1
3	B3003141H00A	UPPER FEED DRIVING SHAFT				1
4	B3005141H00	CONNECTING LINK				1
5	B3006141H00	L-SHAPED LINK				1
6	B3007141H00	UPPER FEED SPRING ROD				1
7	B3008141H00	HINGE SCREW				1
8	B3009141H0A	NUT				1
9	B3010141H00	WASHER				1
10	B3011141H00	BUSHING				1
11	WP0650876SD	WASHER 6.5X13X0.8				1
12	B3011141H0A	BUSHING, FRONT				1
13	NS6150310SP	NUT 15/64-28				1
14	SD0850751SP	HINGE SCREW D= 8.50 H= 7.5				1
15	SS6151440SP	SCREW 15/64-28 L=14				1
16	SS8150510TP	SCREW 15/64-28 L= 4.7				2
17	SS8660610TP	SCREW 1/4-40 L=6				2
18	B3012141H00A	WALKING BAR DRIVING LINK				1
19	B3014141H00B	L-SHAPED ROD				1
20	B3015141H00	HINGE SCREW				3
21	B3016141H00	HINGE SCREW, B				1
22	B3017141H00B	CONNECTING LINK HOLDER				1
23	B3005141H00	CONNECTING LINK				1
24	SD0850751SP	HINGE SCREW D= 8.50 H= 7.5				1
25	B3020141H00	SLIDE BLOCK GUIDE				1
26	B3038141H00	SLIDE FORK				1
27	B1526145000	PRESSURE FOOT				1
28	B3023141HA0A	SLIDE BLOCK ASM.				1
29	B3023141H00A	SLIDE BLOCK PIN		*		1
30	B3024141H00	SLIDE BLOCK		*		1
31	RE0400000K0	E-SHAPED SNAP RING (4MM)		*		1
32	B3025141H00A	CONNECTING ARM				1
33	B3026141H00	UPPER FEED DRIVING SHAFT				1
34	10106102	BUSHING				1
35	B3028141H00	BUSHING, REAR				1
36	B3029141H00	DRIVING SHAFT ROD				1
37	B3030141H00	DRIVING ROD				1
38	B3031141H00	CONNECTING STUD				1
39	B3032141H00	CONNECTING STUD SHAFT				1
40	B3033141H00	SPRING				1
41	B3034141H00	SPRING POLE				1
42	B3035141H00	RETAINING PLATE				1
43	B3036141H00	ADJUSTING THUMB SCREW				1
44	B3037141HA0	SPRING BASE ASM.				1
45	B3037141H00	SPRING BAR		*		1
46	PS0300201KP	SPRING PIN 3.0X20		*		1
47	B3013141H0A	WASHER				2

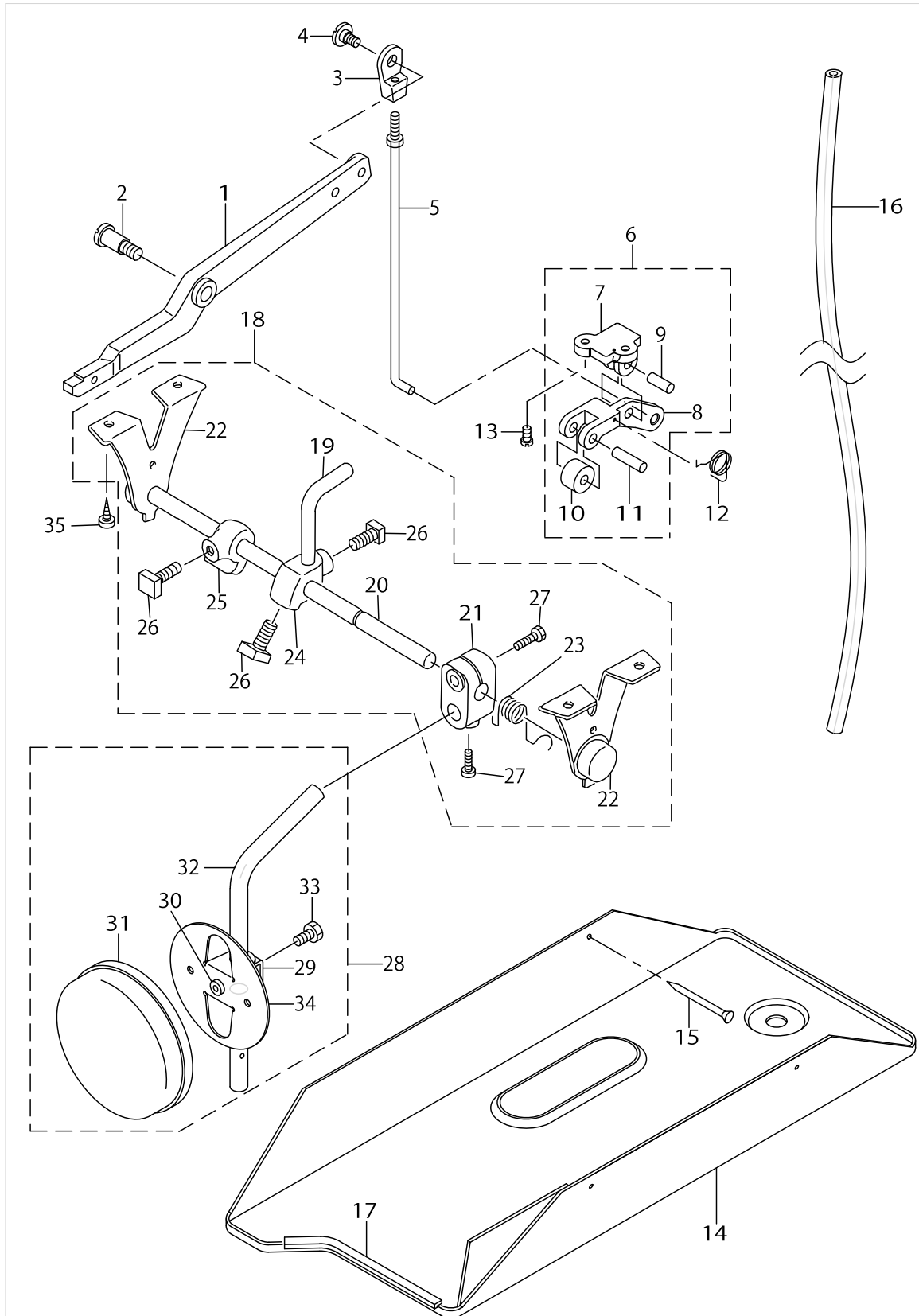
UPPER FEED MECHANISM COMPONENTS



UPPER FEED MECHANISM COMPONENTS

No.	Parts No.	Parts name	Remarks	Level	Cons	Qty
48	B3013141H0B	WASHER	SELECTIVE PART			2
49	22904155	MAIN SHAFT THRUST COLLAR ASM.				1
50	CS1471212SH	THRUST COLLAR D=14.72 W=12		*		1
51	SS8660610TP	SCREW 1/4-40 L=6		*		2
52	NS6150310SP	NUT 15/64-28				1
53	NS6660430SP	NUT 1/4-40				1
54	NS6160520SP	NUT 1/4-24				1
55	NS6680320SP	NUT 9/32-28				1
56	NS6680410SP	NUT 9/32-28				1
57	NS6680320SP	NUT 9/32-28				1
58	21272802	HINGE PIN				1
59	SS7120910TP	SCREW 3/16-28 L=9				1
60	SD1020961SP	HINGE SCREW D=10.2 H=9.6				2
61	SS6121210SP	SCREW 3/16-28 L=12				1
62	SS7091110SP	SCREW 9/64-40 L=10.5				2
63	SS7110910SP	SCREW 11/64-40 L=8.5				2
64	SS7111120SP	SCREW 11/64-40 L=10.5				2
65	SS7111410TP	SCREW 11/64-40 L=14				3
66	SS8150510TP	SCREW 15/64-28 L= 4.7				2
67	SS8660530TP	SCREW 1/4-40 L= 4.5				2
68	SS7090610SP	SCREW 9/64-40 L=6				1

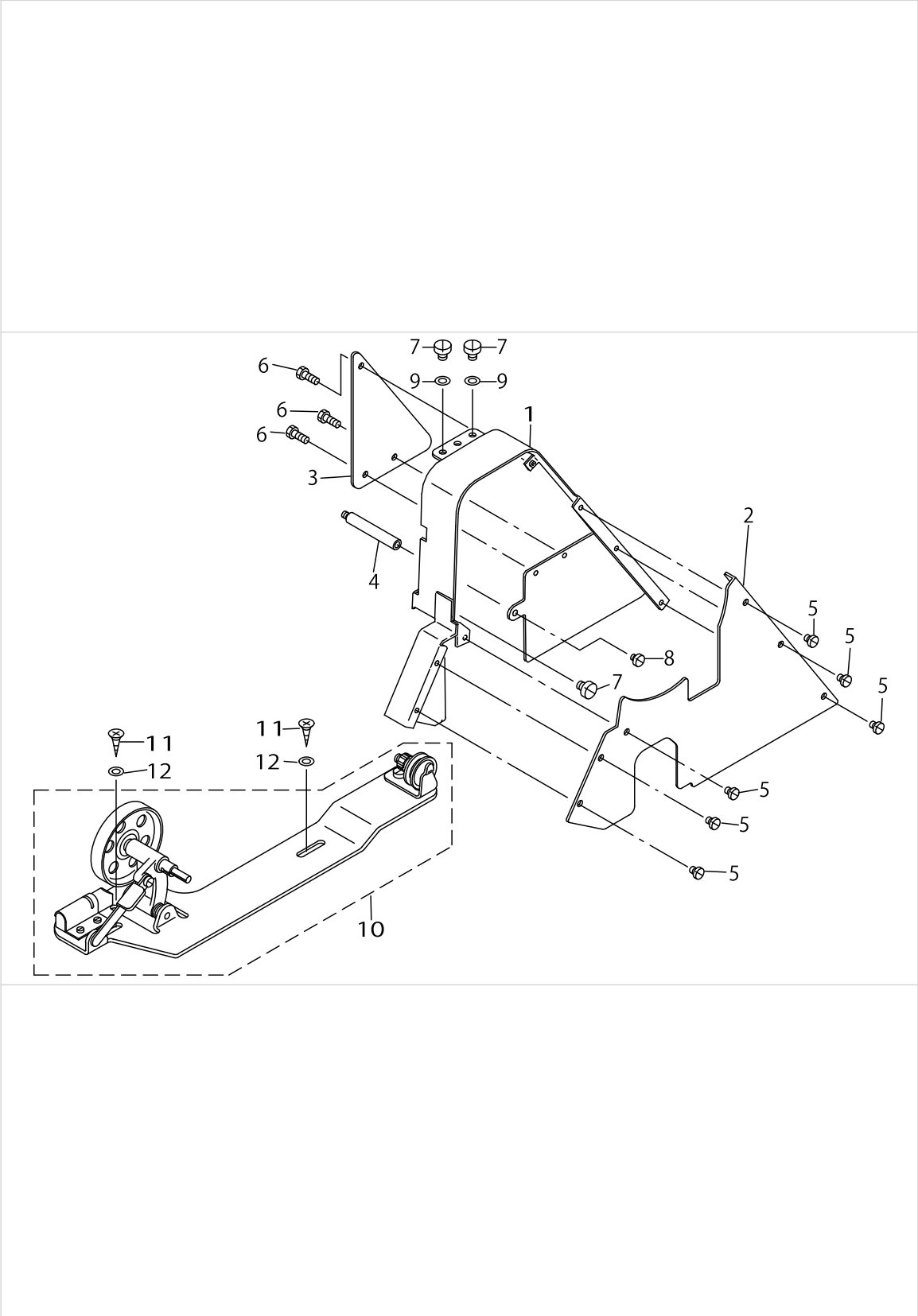
KNEE LIFTER & OIL PAN COMPONENTS



KNEE LIFTER & OIL PAN COMPONENTS

No.	Parts No.	Parts name	Remarks	Level	Cons	Qty
1	D3410141E00A	KNEE LIFTER LEVER				1
2	SD0991551SP	HINGE SCREW D=9.9 H=5.5				1
3	B3416141H00A	SWIVEL				1
4	SD0790351SP	HINGE SCREW D=7.9 H=3.5				1
5	B3415141HA0	CONNECTING ROD, VERTICAL				1
6	B3402141HA0A	BELL CRANK BRACKET ASM.				1
7	B3401141H00	BELL CRANK BRACKET				1
8	B3402141H00A	BELL CRANK BRACKET		*		1
9	B3403141H00	PIN		*		1
10	B3404141H00	ROLLER		*		1
11	B3405141H00	PIN		*		1
12	B3406141H00	SPRING				1
13	SS7120910SP	SCREW 3/16-28 L=9				2
14	B8217141HA0	OIL RESERVOIR ASM.				1
15	10539906	SET NAIL				4
16	BP800000000	VINYL TUBE, WHITE D=8				0.8
17	MAV02130000	EDGING				0.2
18	B3420141HAA	KNEE LIFTER ASM.				1
19	B3426141H00A	KNEE LIFTING BENT ARM		*		1
20	B3420141H0A	MAIN SHAFT		*		1
21	B3433141H0A	BRACKET		*		1
22	B3432141H00	SUPPORT		*		2
23	B3435141H00	KNEE TOP ROTARY SPRING		*		1
24	B3424141H00	MOUNTING BRACKET		*		1
25	B3434141H00	BRACKET		*		1
26	B3425141H00	MOUNTING BRACKET SET SCREW		*		3
27	SS9182010SN	SCREW 9/32-20 L=20		*		2
28	22934251	KNEE PAD PLATE ASM.				1
29	22934301	KNEE PAD PLATE SUPPORT		*		1
30	22934400	KNEE PAD PLATE RUBBER		*		1
31	22934509	KNEE PAD PLATE COVER		*		1
32	22934608	KNEE PAD UPRIGHT SHAFT		*		1
33	SM9061203SE	SCREW M6 L=12		*		1
34	22934202	KNEE PAD PLATE		*		1
35	SK3483200SE	WOOD SCREW D=4.8 L=32				4

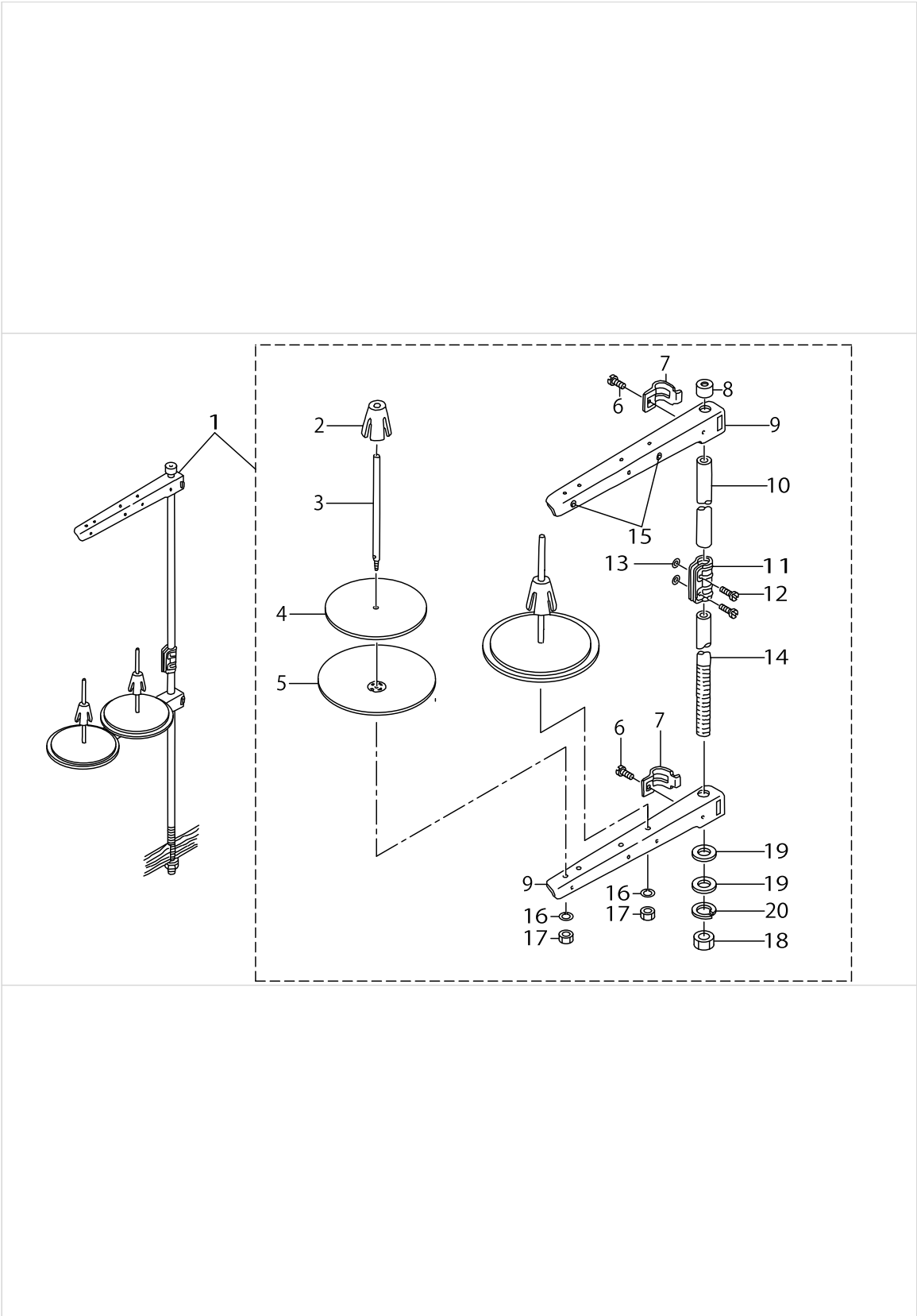
BELT COVER & THREAD WINDER COMPONENTS



BELT COVER & THREAD WINDER COMPONENTS

No.	Parts No.	Parts name	Remarks	Level	Cons	Qty
1	D8230141E00	BELT COVER				1
2	D8231141E0B	BELT COVER TOP A				1
3	D8233141E00	BELT COVER TOP B				1
4	D8232141E00	BELT COVER SUPPORT				1
5	SS7110340SP	SCREW 11/64-40 L= 3.2				6
6	SS6110480SP	SCREW 11/64-40 L=4.3				3
7	SS7150740SP	SCREW 15/64-28 L=7				3
8	SS6110480SP	SCREW 11/64-40 L=4.3				1
9	WP0621016SD	WASHER 6.2X13X1				2
10	11415866	BOBBIN WINDER COMPL				1
11	SK3482500SC	WOOD SCREW D=4.8 L=25				2
12	WP0501016SD	WASHER 5X10.5X1				2

THREAD STAND COMPONENTS



THREAD STAND COMPONENTS

No.	Parts No.	Parts name	Remarks	Level	Cons	Qty
1	22930358	THREAD STAND ASM.				1
2	22931109	SPOOL RETAINER		*		2
3	22931000	SPOOL PIN		*		2
4	22930903	SPOOL REST CUSHION		*		2
5	22930804	SPOOL REST		*		2
6	SM6061610SC	SCREW M6 L=16		*		2
7	22930705	THREAD GUIDE ARM JOINT		*		2
8	22931406	SPOOL REST ROD RUBBER CAP		*		1
9	22930507	SPOOL REST ARM		*		2
10	22930408	SPOOL REST ROD, UPPER		*		1
11	22931307	SPOOL REST ROD JOINT		*		1
12	SM4051405SE	SCREW M5 L=14		*		2
13	NM6050001SE	NUT M5		*		2
14	22930309	SPOOL REST ROD, LOWER		*		1
15	22931208	THREAD GUIDE		*		2
16	WS0510002KN	SPRING WASHER		*		2
17	NM6050001SE	NUT M5		*		2
18	NM6160511SE	NUT M16X1.5		*		1
19	WP1702600S0	WASHER 17X30X2.6		*		2
20	WS1643202KR	SPRING WASHER		*		1

TABLE COMPONENTS

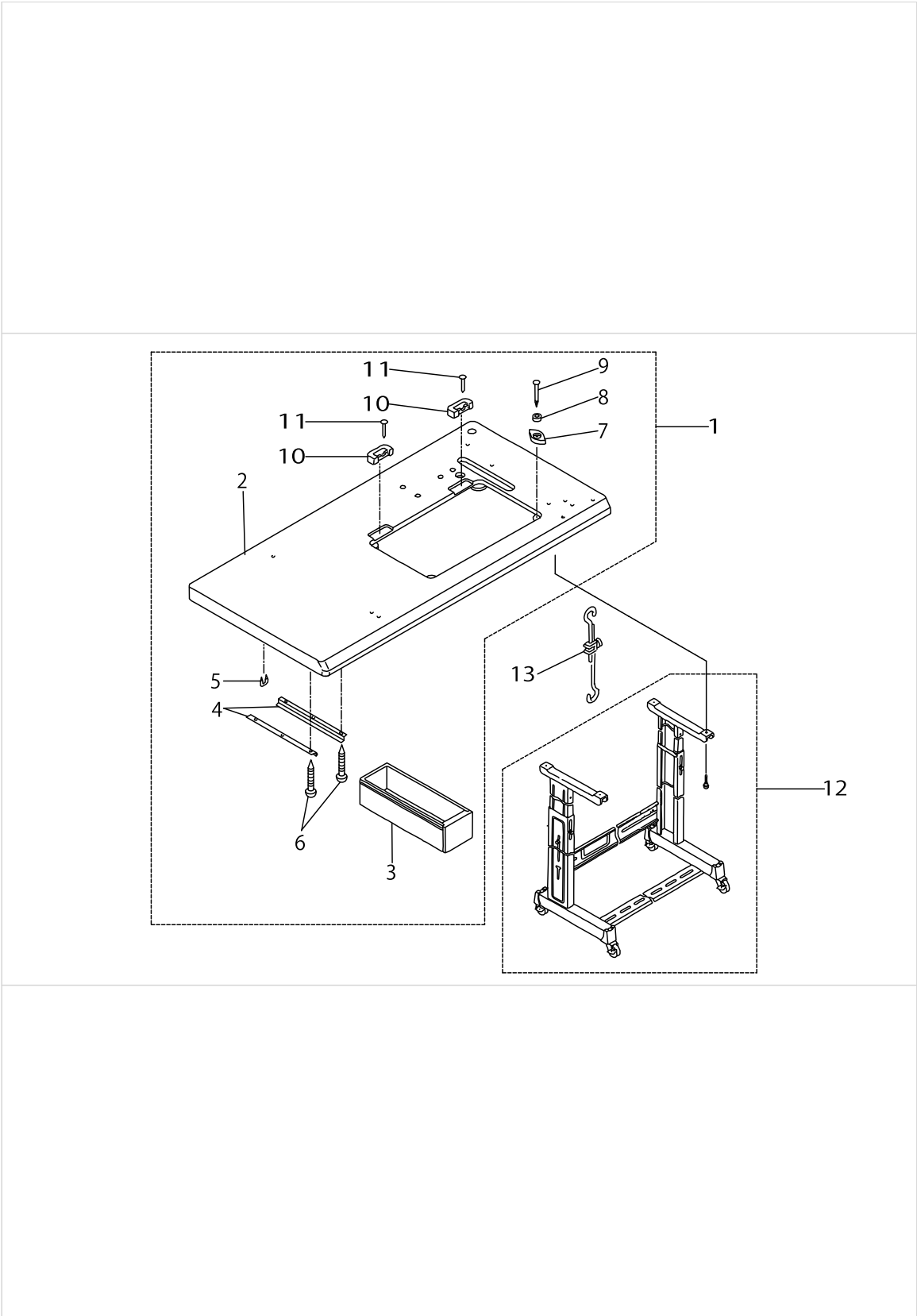


TABLE COMPONENTS

No.	Parts No.	Parts name	Remarks	Level	Cons	Qty
1	D8201141FA0	TABLE ASM.				1
2	D8201141F00	TABLE		*		1
3	D8203555B00	DRAWER		*		1
4	B8204012000	DRAWER SUPPORT		*		2
5	D8204555D00	DRAWER STOPPER		*		1
6	SK3311600SE	WOOD SCREW D=3.1 L=16		*		6
7	B8209012000	RUBBER CUSHION		*		4
8	B8206012000	FELT CUSHION		*		4
9	10539906	SET NAIL		*		4
10	11075801	RUBBER SPACER		*		2
11	B8210012000	CUSHION SET NAIL		*		4
12	17011263	T LEG JUNCTION				1
13	B71140120A0	MOTOR CONNECTING ROD ASM.				1

ACCESSORIES PARTS COMPONENTS

No.	Parts No.	Parts name	Remarks	Level	Cons	Qty
1	MDB100B2104	NEEDLE DBX1 #21-4EA.	EXCEPT JE			1
2	MC142501305	NEEDLE 1738 130-5	FOR JE			1
3	B9101552000	ACCESSORY BOX				1
4	22933006	SCREW DRIVER,LARGE				1
5	B9110012000	SCREW DRIVER, MIDDLE				1
6	B9111012000	SCREW DRIVER, SMALL				1
7	D9118555B00	PLASTIC COVER				1
8	B9121141HA0	OILER ASM.				1
9	B9117201000	BOBBIN				4
10	22958300	NEEDLE THREAD GUIDE PIN				1
11	B8213125AA0	HINGE ASM.				2
12	B9112012000	WRENCH (11X14)				1
13	B9113012000	WRENCH (9X10)				1
14	B82160570A0	HEAD SUPPORT ASM.	FOR TOUCH BACK			1
15	D7101141E00	SYNCHRONIZER FIXED PLATE	OPTIONAL PARTS			1
16	D7102141E00	SYNCHRONIZER SUPPORT PLATE	OPTIONAL PARTS			1
17	SS7150940SP	SCREW 15/64-28 L=9	OPTIONAL PARTS			2
18	SS7110710SP	SCREW 11/64-40 L=7	OPTIONAL PARTS			1
19	GES12153000	OIL WICK HOLDER	OPTIONAL PARTS			1
20	BT0630520Z0	HOLDER COVER	OPTIONAL PARTS			0.1
21	11076007	FRAME RUBBER CUSHION				2
22	D8226555E00	FRAME RUBBER CUSHION A				2
23	11073103	RUBBER CUSHION	EXCEPT TOUCH BACK			1

LIST FOR INFORMATION OF CHANGE (1)

As to the place changed, refer to the corresponding Rev.No.
 When previous parts(Obsoleted part)and new parts(Added parts)are
 not interchangeable with each other:
 In this case,even obsoleted parts(D.)can be ordered with the
 obsoleted part number,so select the parts with changed dates and
 place your orders.

変更箇所は、該当Rev.No.版をご参照ください。
 部品の互換性がない変更の場合は、削除された品番でも、ご注文できます。

29060704
 No.0659-02 Rev.No.

*A:Added parts追加部品/D:Obsoleted parts削除部品/E:Erratum訂正

* Rev. No.	Page 頁	Ref. No.	Parts No. 品番	* Rev. No.	Page 頁	Ref. No.	Parts No. 品番
D 01	2	37	SS-8110510-TP	A 02	2	37	SS-8110410-TP
D 01	4	2	B1202-141-H00	A 02	4	2	B1202-141-H0A
D 01	4	11	B1218-012-000	A 02	4	11	B1203-051-000
D 01	4	12	B1702-012-000				
				A 02	4	12	B3511-280-000
D 01	4	13	CQ-2000000-00				
D 01	4	14	CQ-2000000-00				
D 01	4	15	CQ-2000000-00				
D 01	4	16	CS-147121A-SH	A 02	4	16	229-04155
D 01	4	17	CS-1471212-SH	A 02	4	17	229-04106
D 01	4	22	SS-8151550-SP				
D 01	4	27	TA-0300503-R0				
D 01	5	2	B1402-552-000-A	A 02	5	2	229-06101
D 01	5	10	SS-8110310-SP				
D 01	5	11	SS-8150310-SP				
D 01	6	14	SS-8110310-SP				
D 01	6	17	B1510-227-000	A 02	6	14	229-07703
D 01	8	3	B1634-141-H00-A	A 02	8	3	212-73008
D 01	8	10	B1613-141-H00-A	A 02	8	10	B1613-141-H00
D 01	8	11	B1636-141-H00	A 02	8	11	212-73107
D 01	8	19	B1618-226-000	A 02	8	19	212-72802
D 01	8	22	B1622-141-H00	A 02	8	22	212-72604
D 01	8	23	D1623-141-EA0	A 02	8	23	D1623-141-E0A
D 01	8	53	RO-0742401-00	A 02	8	53	RO-0922702-00
D 01	8	58	B1702-012-000	A 02	8	58	110-02904
D 01	9	21	NS-6110420-SP	A 02	9	21	NS-6110530-SP
D 01	9	27	D1837-141-EA0	A 02	9	27	212-71556
D 01	10	12	B2608-372-000	A 02	10	12	B3127-127-000
D 01	10	13	D3142-141-E00				
D 01	10	14	D3142-141-E0A				
D 01	12	11	B1702-012-000				
D 01	12	49	CS-147121A-SH	A 02	12	49	229-04155
D 01	12	58	B1618-226-000	A 02	12	58	212-72802
D 01	14	28	110-23751	A 02	14	28	229-34251
D 01	16	1	B3301-012-0A0	A 02	16	1	229-30358
D 01	18	4	B9109-555-000	A 02	18	4	229-33006

HOW TO MAKE USE OF THIS PARTS LIST

1.Explanation of codes

1)"*"mark.....means this part is changed from the previous parts book.

As to the details of the change, refer to the "List for information of change".

2)"#01".....refer to "Note" explanation at bottom of page.

2.Codes on the "Qty" column

• Each numeral indicates the number of parts required.

• "0.1" and "2.5" indicate the length (in meters) of the respective parts.

3.Parentheses mean that the corresponding part is a subpart that constructs an assembly part.

4.Dotted lines on the Figures indicate assembly parts.

1."注記"欄の記号説明

1) "*"印.....前回のパーツブックに比較して今回変更された部品を意味します。

変更内容は、"変更情報リスト"を参照してください。

2) "#01".....ページ下の"注記"の説明を参照してください。

2.数量欄の数字は、個数を表し、0.1、2.5等の数値は、長さ（単位メートル）を表します。

3.数量欄の（ ）は、組部品を構成している子部品であることを意味します。

4.イラストページの-----枠は、組構成であることを意味します。

NUMERICAL INDEX OF PARTS

PART NO	PAGE	REF NO.	PART NO	PAGE	REF NO.	PART NO	PAGE	REF NO.
10106102	18	34	B1103141H00	2	12	B1414555000	6	4
10539906	22	15	B1105141H00	2	2	B1501127000	8	1
10539906	28	9	B1110012000	2	4	B1505227T00A	8	3
11002904	12	58	B11100120A0	2	3	B1509555000	8	2
11018900	16	4	B1111012000	2	5	B1510155000	8	4
11073103	30	23	B1113012000	12	68	B1511555000	8	9
11075801	28	10	B1118141H00A	2	9	B1512141H00	8	7
11076007	30	21	B1121141HA0D	2	1	B1513141H00	8	8
11415866	24	10	B1123141H00	2	11	B1515141H00	8	6
11847308	10	8	B1128522000	2	17	B1526145000	18	27
17011263	28	12	B1129141H00	2	8	B1601141H00	10	4
21103304	8	5	B1131141H00	2	14	B1603141H00	10	6
21271556	14	27	B1147141H00	12	55	B1604012000A	10	17
21272604	10	22	B1148141H00	12	56	B1604141H00	10	7
21272802	10	19	B1150141H00A	2	10	B1605141H00	10	5
21272802	20	58	B1151141H00	14	13	B1606141H00	10	15
21273008	10	3	B1151141HA0	14	12	B1606141HA0	10	12
21273107	10	11	B1152141H00	14	10	B1611155000A	10	18
21286604	4	6	B1154141H00	14	11	B1613141H00	10	10
21286802	2	7	B1155141H00	14	9	B1614141H00	10	1
22904106	4	17	B1156115000	2	16	B1619141H00	10	20
22904155	4	16	B1156141H00	14	16	B1621141H00A	10	21
22904155	20	49	B1202141H0A	4	2	B1624555000	10	24
22906101	6	2	B1203051000	4	11	B1627226000	10	25
22907703	8	14	B1203141H00	4	3	B16331220A0	10	26
22930309	26	14	B1204141H00	4	4	B1637141H00	10	9
22930358	26	1	B1208141H00	12	60	B1638141H00	12	51
22930408	26	10	B1210141H00	6	12	B1646201000	10	27
22930507	26	9	B1211141H00	4	7	B1647226000	10	28
22930705	26	7	B1211226000	4	8	B1648122000	10	29
22930804	26	5	B1212012000	4	9	B1701115000	12	57
22930903	26	4	B1213012000	4	10	B1704141H00	12	61
22931000	26	3	B1301201000	4	28	B1705141H00	12	59
22931109	26	2	B1302271000	4	29	B1705155000	10	13
22931208	26	15	B1303271000	4	30	B1706155000	10	14
22931307	26	11	B13050120A0	4	31	B1707155000	10	16
22931406	26	8	B13052710B0	4	35	B1801141H00	14	1
22933006	30	4~6	B13061550A0	4	32	B1802141H00A	14	2
22934202	22	34	B13071550A0	4	33	B1803141H00	14	3
22934251	22	28	B13072710A0	4	36	B1806271000	14	4
22934301	22	29	B13081550A0	4	34	B1830141HA0	14	5
22934400	22	30	B1401141H0A	6	1	B1834512000A	14	8
22934509	22	31	B1405012000	6	5	B1835012000	14	6
22934608	22	32	B1408141H00	6	19	B1901141H00	6	14
22958300	30	10	B14115520A0	6	18	B1901141HA0	6	11

NUMERICAL INDEX OF PARTS

PART NO	PAGE	REF NO.	PART NO	PAGE	REF NO.	PART NO	PAGE	REF NO.
B1902115000	6	15	B3128012000	16	7	BT0630520Z0	30	20
B1903141H00	6	16	B3129053000	16	8	CQ200000000	14	15
B1904115000	6	17	B3132552000	16	9	CQ202000000	2	22
B3001141H00	18	1	B3134141H00	16	15	CQ202000000	10	63
B3002141H00	18	2	B3401141H00	22	7	CQ202000000	12	63
B3003141H00A	18	3	B3402141H00A	22	8	CQ202000000	14	17
B3005141H00	18	23	B3402141HA0A	22	6	CS0791010SH	14	18
B3006141H00	18	5	B3403141H00	22	9	CS0791016SH	14	19
B3007141H00	18	6	B3404141H00	22	10	CS1111019SH	10	32
B3008141H00	18	7	B3405141H00	22	11	CS111101CSH	10	31
B3009141H0A	18	8	B3406141H00	22	12	CS1471212SH	20	50
B3010141H00	18	9	B3415141HA0	22	5	D1126560E00A	2	13
B3011141H00	18	10	B3416141H00A	22	3	D1201141E00A	4	1
B3011141H0A	18	12	B3420141H0A	22	20	D1206141E00	4	5
B3012141H00A	18	18	B3420141HAA	22	18	D1403141E00	6	3
B3013141H0A	18	47-48	B3424141H00	22	24	D1418141E00	6	6
B3013141H0B	20	47-48	B3425141H00	22	26	D1525141EA0	8	10
B3014141H00B	18	19	B3426141H00A	22	19	D1620141E00	10	2
B3015141H00	18	20	B3432141H00	22	22	D1623141E0A	10	23
B3016141H00	18	21	B3433141H0A	22	21	D3111141EA0	16	1
B3017141H00B	18	22	B3434141H00	22	25	D3410141E00A	22	1
B3020141H00	18	25	B3435141H00	22	23	D7101141E00	30	15
B3023141H00A	18	29	B3503201000	2	18	D7102141E00	30	16
B3023141HA0A	18	28	B3504201000	2	19	D8201141F00	28	2
B3024141H00	18	30	B3511280000	4	12	D8201141FA0	28	1
B3025141H00A	18	32	B3515201000	2	20	D8203555B00	28	3
B3026141H00	18	33	B3517009000	2	39	D8204555D00	28	5
B3028141H00	18	35	B3527012000	2	21	D8226555E00	30	22
B3029141H00	18	36	B71140120A0	28	13	D8230141E00	24	1
B3030141H00	18	37	B8204012000	28	4	D8231141E0B	24	2
B3031141H00	18	38	B8206012000	28	8	D8232141E00	24	4
B3032141H00	18	39	B8209012000	28	7	D8233141E00	24	3
B3033141H00	18	40	B8210012000	28	11	D9118555B00	30	7
B3034141H00	18	41	B8213125AA0	30	11	GES12153000	30	19
B3035141H00	18	42	B82160570A0	30	14	MAV02130000	22	17
B3036141H00	18	43	B8217141HA0	22	14	MC142501300	6	7-8
B3037141H00	18	45	B9101552000	30	3	MC142501305	30	2
B3037141HA0	18	44	B9110012000	30	4~6	MDB100B2100	6	7-8
B3038141H00	18	26	B9111012000	30	4~6	MDB100B2104	30	1
B3111126000	16	2	B9112012000	30	12-13	NM6050001SE	26	17
B3115552000	16	3	B9113012000	30	12-13	NM6160511SE	26	18
B3118552F00	16	11	B9117201000	14	7	NS6110530SP	14	21
B3120125000	16	5	B9117201000	30	9	NS6150310SP	18	52
B3126012000	16	6	B9121141HA0	30	8	NS6150310SP	20	52
B3127127000	16	12	BP800000000	22	16	NS6160520SP	20	54

NUMERICAL INDEX OF PARTS

PART NO	PAGE	REF NO.	PART NO	PAGE	REF NO.	PART NO	PAGE	REF NO.
NS6660430SP	20	53	SS6661110SP	10	40	SS8660610TP	18	51
NS6680320SP	20	57	SS7080510TP	6	9	SS8660610TP	20	51
NS6680410SP	10	64	SS7090610SP	20	68	SS8660810TP	4	22
NS6680410SP	12	64	SS7090620TP	2	32	SS8681950SP	4	26
NS6680410SP	20	56	SS7090710SP	10	41	SS9182010SN	22	27
NS6740510SP	12	69	SS7091110SP	8	12	SS9660720SP	12	50
PS0300132KH	8	11	SS7091110SP	20	62	TA0750404R0	14	14
PS0300201KP	18	46	SS7110340SP	24	5	TA1250406R0	2	15
PS0350102KR	2	26	SS7110510SP	2	33	WP0501016SD	24	12
RE0400000K0	18	31	SS7110710SP	2	35	WP0621016SD	24	9
RE0500711KP	10	35	SS7110710SP	30	18	WP0650876SD	18	11
RO092270200	12	53	SS7110720SP	2	36	WP1702600S0	26	19
SD0600271SP	16	16	SS7110840SP	8	13	WS0510002KN	26	16
SD0600321SP	16	13	SS7110910SP	20	63	WS1643202KR	26	20
SD0790351SP	22	4	SS7111120SP	12	67	WZ1052010KP	12	54
SD0850751SP	18	24	SS7111120SP	20	64			
SD0950802SH	12	52	SS7111410TP	20	65			
SD0991551SP	22	2	SS7112420SP	2	30			
SD1020961SP	12	66	SS7120910SP	10	45			
SD1020961SP	20	60	SS7120910SP	22	13			
SK3311600SE	28	6	SS7120910TP	20	59			
SK3482500SC	24	11	SS7121410SP	10	43			
SK3483200SE	22	35	SS7150740SP	24	7			
SM4051405SE	26	12	SS7150940SP	30	17			
SM6031202TP	4	15	SS7620750SP	10	44			
SM6051410SC	4	13	SS7681750TP	4	25			
SM6061610SC	26	6	SS8090670SP	16	10			
SM9061203SE	22	33	SS8110410TP	2	37			
SS2090710SP	2	27	SS8110520TP	14	20			
SS2110920TP	2	29	SS8110750SP	8	16			
SS4080620TP	10	36	SS8150510TP	18	66			
SS5090610SP	2	28	SS8150510TP	20	66			
SS6060210SP	2	6	SS8150710SP	4	19			
SS6090670TP	6	13	SS8150710SP	10	47			
SS6110480SP	24	8	SS8150710SP	14	25			
SS6110610TP	2	38	SS8150710SP	16	14			
SS6110710TP	12	65	SS8151150SP	4	20			
SS6111140SP	14	23	SS8151550SP	4	27			
SS6111210SP	14	22	SS8151550SP	6	10			
SS6111610SP	2	31	SS8151550SP	14	26			
SS6121050SP	10	37	SS8620610TP	12	48			
SS6121210SP	10	38	SS8660530TP	20	67			
SS6121210SP	20	61	SS8660610TP	4	23			
SS6151220SP	10	39	SS8660610TP	8	15			
SS6151440SP	18	15	SS8660610TP	10	33			