

MODEL : DNU-261H

List No : 0605-02

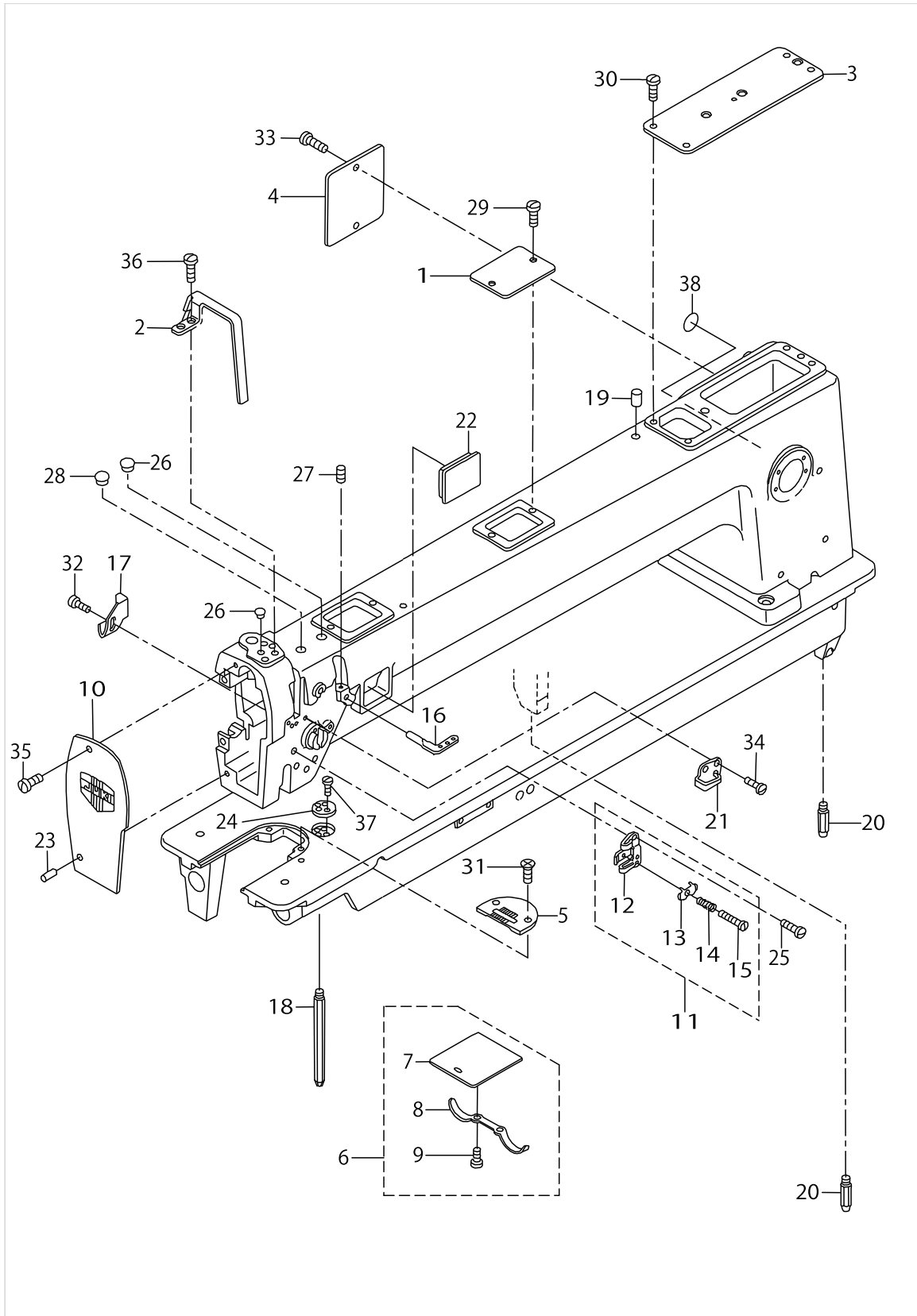
PARTS LIST

Published:09/10/2017

CONTENTS

FRAME & MISCELLANEOUS COVER COMPONENTS	1
MAIN SHAFT & ARM SHAFT COMPONENTS	3
NEEDLE BAR,THREAD TAKE-UP LEVER,PRESSER BAR & TENSION RELEASE COMPONENTS ..	5
FEED MECHANISM COMPONENTS.....	9
UPPER FEED MECHANISM & HOOK DRIVING SHAFT COMPONENTS.....	13
LUBRICATION COMPONENTS	17
THREAD TENSION COMPONENTS	19
KNEE LIFTER & OIL PAN COMPONENTS.....	21
BELT COVER & THREAD WINDER COMPONENTS	25
THREAD STAND COMPONENTS.....	27
TABLE COMPONENTS	29
ACCESSORIES PARTS COMPONENTS	31
GAUGE COMPONENTS.....	33
LIST FOR INFORMATION OF CHANGE.....	35
HOW TO MAKE USE OF THIS PARTS LIST	36

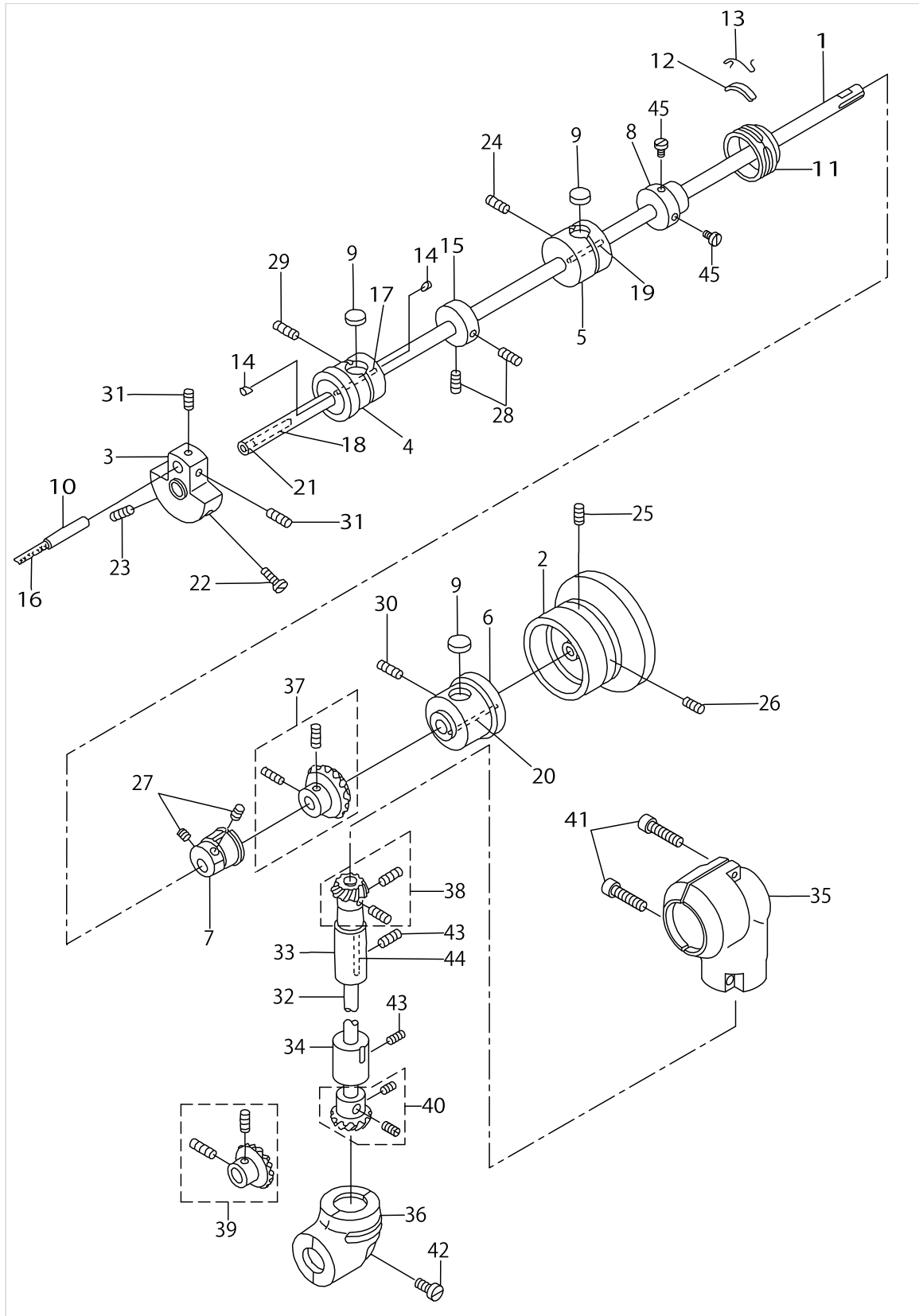
FRAME & MISCELLANEOUS COVER COMPONENTS



FRAME & MISCELLANEOUS COVER COMPONENTS

No.	Parts No.	Parts name	Remarks	Level	Cons	Qty
1	21120407	TOP COVER				1
2	D1158241E00	THREAD TAKE-UP LEVER COVER				1
3	21120506	TOP PLATE				1
4	B1118241H00	SIDE PLATE				1
5	21410006	THROAT PLATE				1
6	B1112241HA0	BED SLIDE ASM.				1
7	B1112241H00	BED SLIDE		*		1
8	A1111007000	SLIDE PLATE SPRING		*		1
9	SS6060210SP	SCREW 3/32-56 L= 1.9		*		2
10	21120654	FRAME PLATE ASM.				1
11	B11305210A0	THREAD GUIDE ASM., LOWER				1
12	B1130521000	THREAD GUIDE		*		1
13	B1131521000	THREAD PRESSER PLATE		*		1
14	B1132521000	THREAD PRESSER PLATE SPRING		*		1
15	SD0380551SL	HINGE SCREW D= 3.80 H= 5.5		*		1
16	B1128522000	THREE HOLE THREAD EYELET				1
17	B1140051000	TAKE-UP OIL SPLASHER				1
18	21120209	BED STUD				1
19	B3517009000	OIL FELT REAR				1
20	10100410	BED SCREW STUD				2
21	B1129563000	FRAME THREAD GUIDE, UPPER				1
22	B1170246000	CAP				1
23	B1103051000	FACE PLATE PIN				1
24	B1103141H00	SCALE BASE PLATE				1
25	SS2090710SP	SCREW 9/64-40 L=7				2
26	TA1050504R0	RUBBER PLUG				2
27	SS8110510SP	SCREW 11/64-40 L=5				1
28	TA1120804R0	RUBBER PLUG				1
29	SS7111120SP	SCREW 11/64-40 L=10.5				2
30	SS7110710SP	SCREW 11/64-40 L=7				4
31	SS2110915SP	SCREW 11/64-40 L=8.5				2
32	SS3090520SP	SCREW 9/64-40 L=4.5				1
33	SS7110710SP	SCREW 11/64-40 L=7				2
34	SS2090710SP	SCREW 9/64-40 L=7				2
35	SS7090610SP	SCREW 9/64-40 L=6				1
36	SS7150940SP	SCREW 15/64-28 L=9				2
37	SS7110720SP	SCREW 11/64-40 L=7				2
38	22901805	GROUND MARK				1

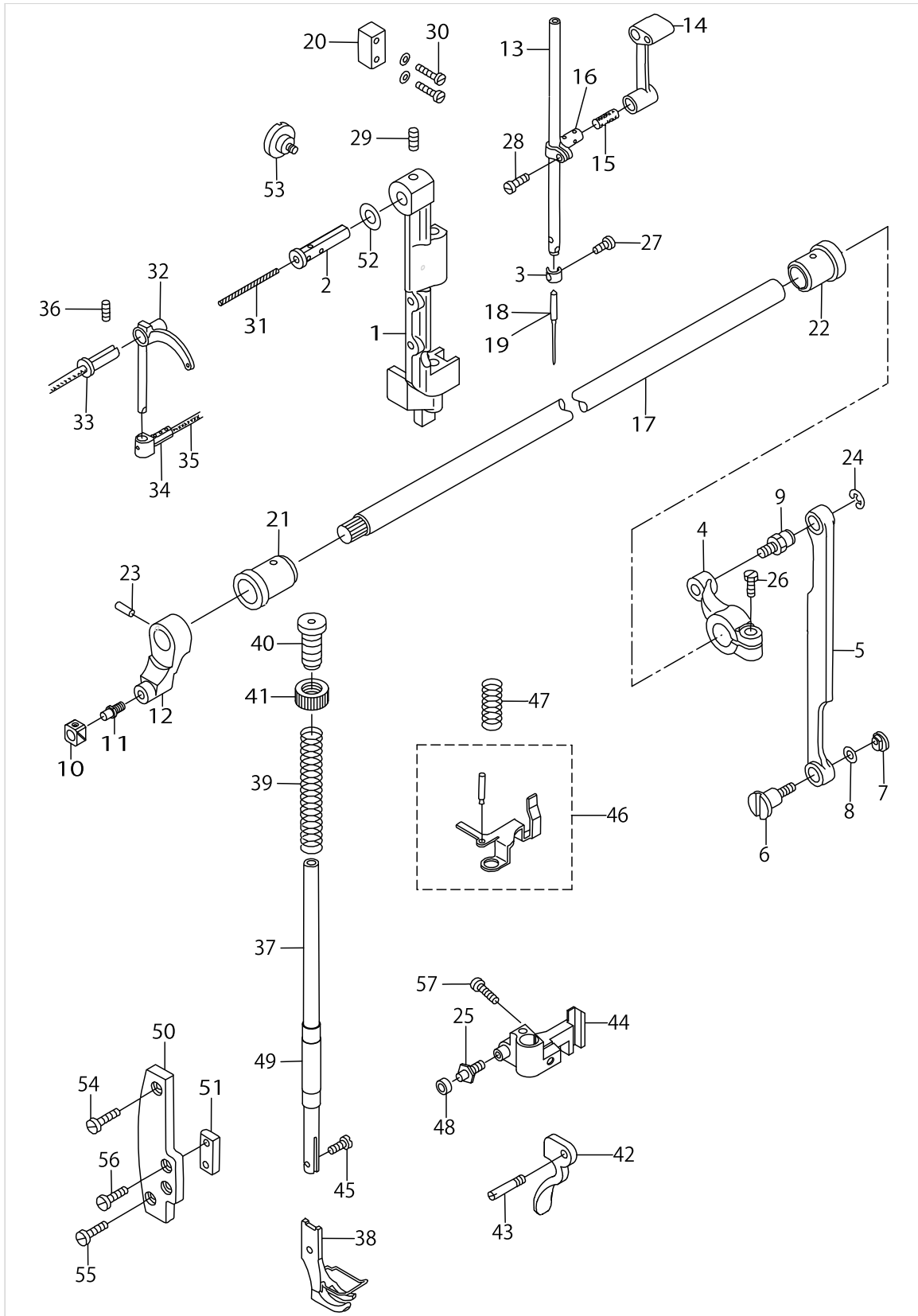
MAIN SHAFT & ARM SHAFT COMPONENTS



MAIN SHAFT & ARM SHAFT COMPONENTS

No.	Parts No.	Parts name	Remarks	Level	Cons	Qty
1	21121108	MAIN SHAFT				1
2	21121207	FLY WHEEL				1
3	D1206241E00	COUNTERWEIGHT				1
4	B1202241H00	MAIN SHAFT BUSHING, FRONT				1
5	B1203241H00	BUSHING, INTERMEDIATE				1
6	B1204241H00	BUSHING, REAR				1
7	B1211141H00	FEED ECCENTRIC CAM				1
8	B1208141H00	FEED CAM ASM.				1
9	B1203051000	OIL FELT				3
10	B1210051000	NEEDLE BAR CRANK PIN				1
11	B1211226000	ECCENTRIC RETAINER HOUSING				1
12	B1212012000	OIL FELT				1
13	B1213012000	FELT RETAINER				1
14	B1230051000	LEATHER PLUG				2
15	CS1271012SH	THRUST COLLAR D=12.7 W=10				1
16	CQ505000000	OIL WICK				0.1
17	CQ252000000	OIL WICK				0.1
18	CQ303000000	OIL WICK				0.1
19	CQ202000000	OIL WICK				0.1
20	CQ202000000	OIL WICK				0.1
21	TA0500601M0	PLUG D=5X5.4 L=6				1
22	SS7681750TP	SCREW 9/32-28 L=16.5				1
23	SS8681650TP	SCREW 9/32-28 L=16				1
24	SS8151550SP	SCREW 15/64-28 L=15				1
25	SS8151780SP	SCREW 15/64-28 L=17.0				1
26	SS8151550SP	SCREW 15/64-28 L=15				1
27	SS8150710SP	SCREW 15/64-28 L=7				2
28	SS8660610TP	SCREW 1/4-40 L=6				2
29	SS8151550SP	SCREW 15/64-28 L=15				1
30	SS8150710SP	SCREW 15/64-28 L=7				1
31	SS8150710SP	SCREW 15/64-28 L=7				2
32	B1301241H00	UPRIGHT SHAFT				1
33	B1302241H00	BUSHING, UPPER				1
34	B1303271000	BUSHING, LOWER				1
35	B13052710B0	GEAR CASE ASM.				1
36	B13072710A0	PINION CASE ASM.				1
37	B13050120A0	GEAR ASM.				1
38	B13061550A0	PINION ASM.				1
39	B13071550A0	GEAR ASM. LARGE				1
40	B13081550A0	PINION ASM.				1
41	SM6031202TP	SCREW M3X0.5 L=12				2
42	SM6051410SC	SCREW M5X0.8 L=14				1
43	SS8151550SP	SCREW 15/64-28 L=15				2
44	CQ252000000	OIL WICK				0.1
45	SS6110710TP	SCREW 11/64-40 L= 6.5				2

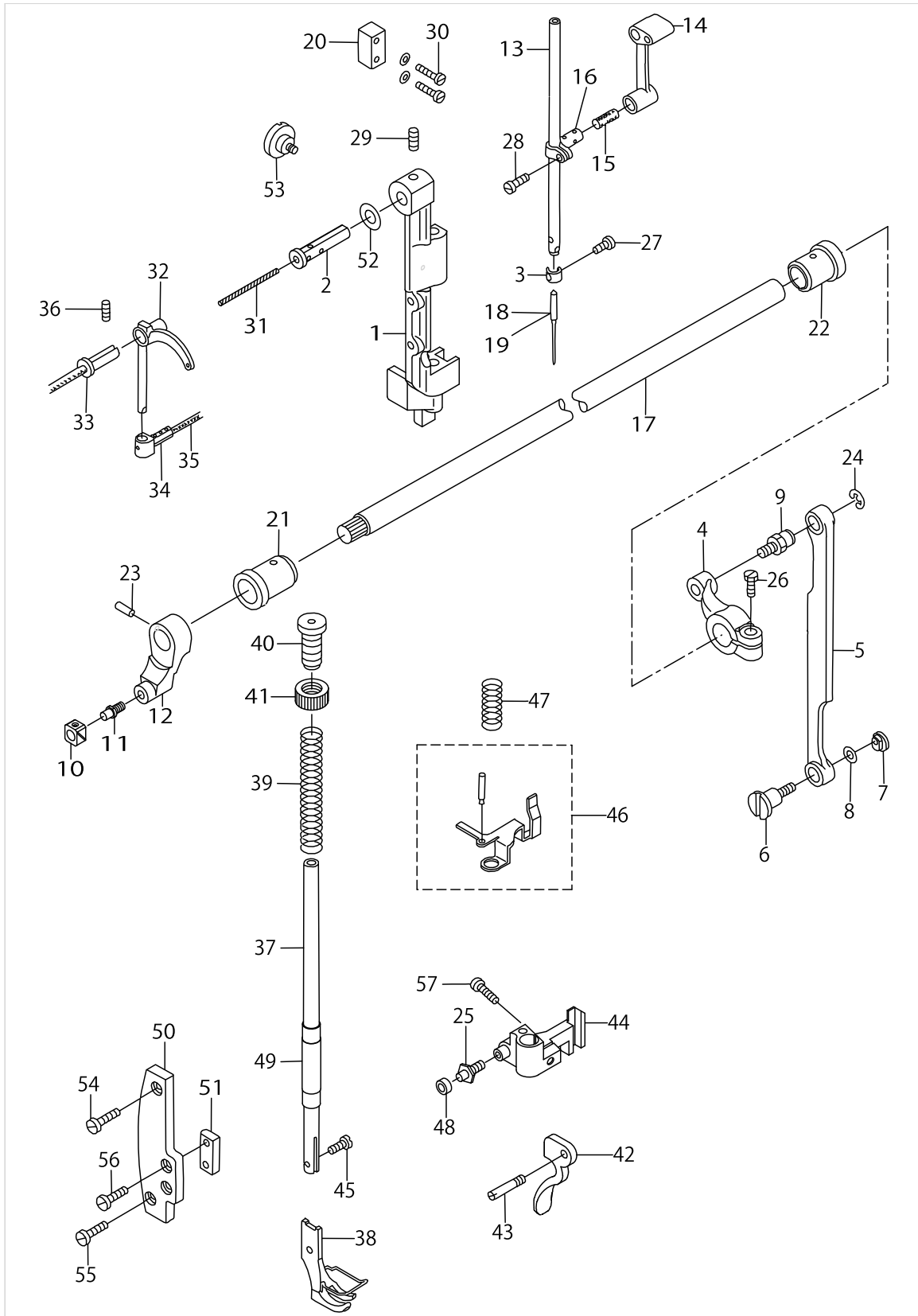
NEEDLE BAR, THREAD TAKE-UP LEVER, PRESSER BAR & TENSION RELEASE COMPONENTS



NEEDLE BAR,THREAD TAKE-UP LEVER,PRESSER BAR & TENSION RELEASE COMPONENTS

No.	Parts No.	Parts name	Remarks	Level	Cons	Qty
1	B1420563000	NEEDLE BAR FRAME				1
2	B1906051000	TAKE-UP LEVER PIN				1
3	B1419245000	NEEDLE BAR THREAD GUIDE				1
4	21121405	FRAME DRIVING ARM, REAR				1
5	B1434241H00	DRIVING ROD				1
6	SD1000952SP	HINGE SCREW D=10 H=9,5				1
7	B3009141H0B	NUT				1
8	WP0742016SP	WASHER				1
9	B1424158000	HINGE SCREW				1
10	B1414232000	SQUARE BLOCK				1
11	B1410771000	STUD				1
12	23002207	ROCK SHAFT FRONT CRANK				1
13	D1401241E00	NEEDLE BAR				1
14	D1408241E00	NEEDLE BAR CRANK ROD				1
15	D1412241E00	FELT				1
16	D1411241E00	NEEDLE BAR CONNECTION				1
17	21121603	FRAME DRIVING SHAFT				1
18	MDP170B2300	NEEDLE DPX17 #23	EXCEPT JE			1
19	MC372001600	NEEDLE SY3355 160	FOR JE			1
20	D1423241E00	NEEDLE BAR FRAME GUIDE				1
21	21121702	BUSHING, FRONT				1
22	21121801	BUSHING, REAR				1
23	PT0301600S0	TAPERED PIN 3.0X16				1
24	RE0700000K0	E-RING 7				1
25	B1461245000	GUIDE SHAFT HINGE SCREW				1
26	SS7151610SP	SCREW 15/64-28 L=16				1
27	SS7080510TP	SCREW 1/8-44 L=4.5				1
28	SS7090910SP	SCREW 9/64-40 L= 8.5				1
29	SS8151150SP	SCREW 15/64-28 L=10.5				1
30	SS7111810SP	SCREW 11/64-40 L=18				2
31	CQ252000000	OIL WICK				0.1
32	D1905241E00	THREAD TAKE-UP LEVER				1
33	B1906051000	TAKE-UP LEVER PIN				1
34	D1907241E00	TAKE-UP LEVER THRUST PIN				1
35	CQ202000000	OIL WICK				0.1
36	SS8151150SP	SCREW 15/64-28 L=10.5				1
37	B1501241H00	PRESSER BAR				1
38	B1525241HA0	PRESSER FOOT ASM.				1
39	B1510141H00	PRESSER SPRING				1
40	B1509141H00	PRESSER SPRING REGULATOR				1
41	22907604	PRESSER SPRING REGULATOR NUT				1
42	B1512141H00	HAND LIFTER				1
43	B1515051000	HAND LIFTER PIN				1
44	B1460245000	PRESSER LIFTING LEVER BASE				1
45	SS6090910TP	SCREW 9/64-40 L=9				1
46	B14602460A0	THREAD RELEASE GUIDE ASM.				1
47	B1462053000	THREAD RELEASE SPRING				1

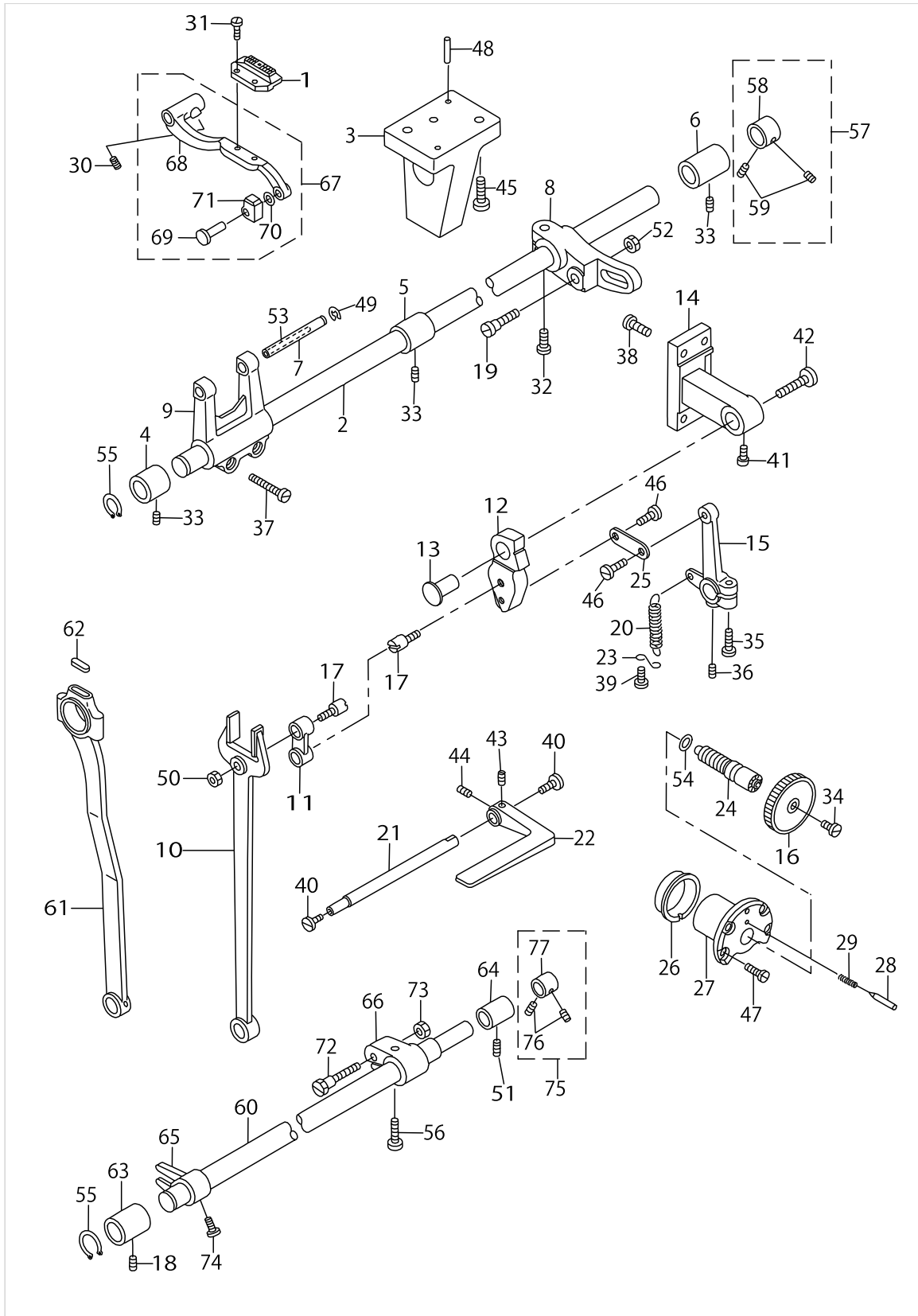
NEEDLE BAR, THREAD TAKE-UP LEVER, PRESSER BAR & TENSION RELEASE COMPONENTS



NEEDLE BAR,THREAD TAKE-UP LEVER,PRESSER BAR & TENSION RELEASE COMPONENTS

No.	Parts No.	Parts name	Remarks	Level	Cons	Qty
48	D1462241E00	CONNECTING PIN ROLLER				1
49	22907109	PRESSER BAR BUSHING, LOWER				1
50	D1464241E0A	GUIDE PLATE BASE				1
51	D1463241E00	PRESSER BAR BRACKET GUIDE				1
52	B1208019000	WASHER				1
53	SD0800481SP	HINGE SCREW D= 8 H= 4.9				1
54	SS7150740SP	SCREW 15/64-28 L=7				1
55	SS7621040SP	SCREW 3/16-32 L= 9.5				1
56	SS7621040SP	SCREW 3/16-32 L= 9.5				2
57	SS7111310SP	SCREW 11/64-40 L=12.8				1

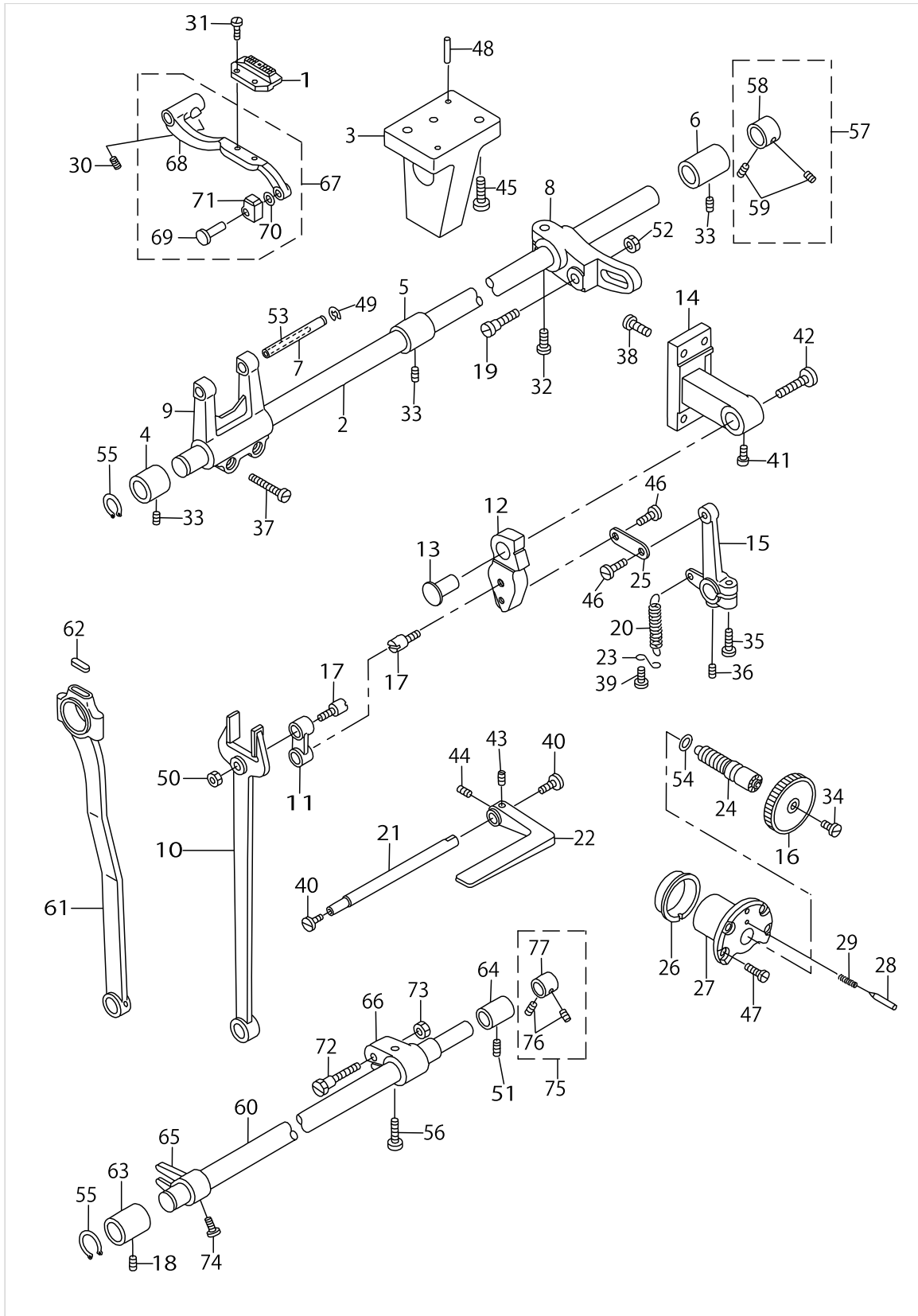
FEED MECHANISM COMPONENTS



FEED MECHANISM COMPONENTS

No.	Parts No.	Parts name	Remarks	Level	Cons	Qty
1	D1613241E0B	FEED DOG 4X2.5 WITH DITCH				1
2	21122106	HORIZONTAL SEND SHAFT				1
3	21122205	MIDDLE METAL HOLDER				1
4	B1604141H00	BUSHING, FRONT				1
5	B1651141H00	BUSHING, INTERMEDIATE				1
6	21122304	BUSHING, REAR				1
7	B1604012000A	FEED BAR SHAFT				1
8	B1605241H00A	FEED ROCK SHAFT CRANK				1
9	B1603141H00	FEED ROCKER				1
10	B1614241H00	PITMAN				1
11	B1619241H00	FEED CONNECTING LINK				1
12	D1620241E0A	FEED REGULATOR				1
13	B1622241H00A	HINGE PIN				1
14	B1650241H00	FEED REGULATOR SUPPORTING BASE				1
15	B1627241H00	CONTROL LEVER CRANK				1
16	D1623241EA0A	STICH DIAL ASM.				1
17	B1617241H00	HINGE SCREW, A				2
18	SS8150710SP	SCREW 15/64-28 L=7				1
19	SD1000951SP	HINGE SCREW D=10 H=9,5				1
20	B1646241H00	TENSION SPRING				1
21	B1621241H00	REVERSE FEED CONTROL LEVER SHA				1
22	B1624586000	REVERSE FEED CONTROL LEVER				1
23	B1648122000	SUSPENSION HOOK (B)				1
24	B1634241H00	STICH LENGTH REGULATING SCREW				1
25	B2115271000	NEEDLE THROW LINK				1
26	B1637141H00	ECCENTRIC BUSHING				1
27	B1636141H00	STITCH DIAL BASE				1
28	B1147141H00	PIN				1
29	B1148141H00	SPRING				1
30	SS8620610TP	SCREW 3/16-32 L=6				1
31	SS4080620TP	SCREW 1/8-44 L=6				2
32	SS7151610SP	SCREW 15/64-28 L=16				1
33	SS8150710SP	SCREW 15/64-28 L=7				5
34	SS6121050SP	SCREW 3/16-28 L= 9.5				1
35	SS6121210SP	SCREW 3/16-28 L=12				1
36	SS8150710SP	SCREW 15/64-28 L=7				1
37	SS7121410SP	SCREW 3/16-28 L=14				2
38	SS7151210SP	SCREW 15/64-28 L=12				4
39	SS7090710SP	SCREW 9/64-40 L= 6.8				1
40	SS7620750SP	SCREW 3/16-32 L= 6.5				2
41	SS6151220SP	SCREW 15/64-28 L=11.5				1
42	SS7151330SP	SCREW 15/64-28 L=13.0				1
43	SS8661040TP	SCREW 1/4-40 L=10				1
44	SS8660810TP	SCREW 1/4-40 L=8				1
45	SS6151440SP	SCREW 15/64-28 L=14				2
46	SD0640231SP	HINGE SCREW D= 6.35 H= 2.3				2
47	B1638141H00	SCREW				4

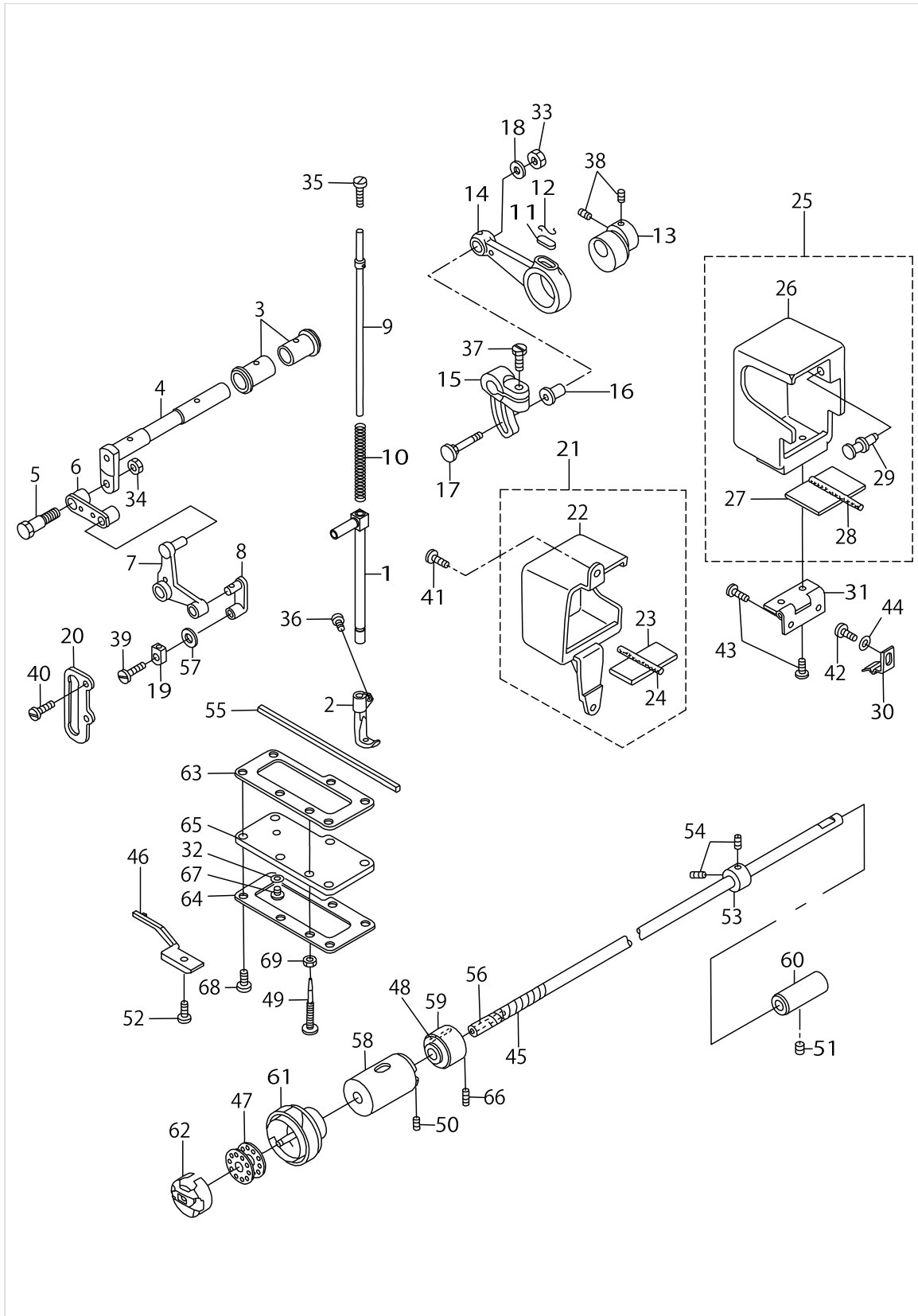
FEED MECHANISM COMPONENTS



FEED MECHANISM COMPONENTS

No.	Parts No.	Parts name	Remarks	Level	Cons	Qty
48	PS0400182K0	SPRING PIN 4.0X18				2
49	RE0500711KP	SNAP RING 5				1
50	NS6680410SP	NUT 9/32-28				1
51	SS8150710SP	SCREW 15/64-28 L=7				1
52	NS6680410SP	NUT 9/32-28				1
53	CQ202000000	OIL WICK				0.2
54	RO074240100	RUBBER RING				1
55	RC1400001KP	C-SHAPED SNAP RING				2
56	SS6151920SP	SCREW 15/64-28 L=19.0				1
57	CS147101ASH	THRUST COLLAR ASM. D=14.72 W=1				1
58	CS1471012SH	THRUST COLLAR D=14.72 W=10		*		1
59	SS8660610TP	SCREW 1/4-40 L=6		*		2
60	21122106	HORIZONTAL SEND SHAFT				1
61	B1708241H00	CRANK CONNECTING ROD				1
62	B1702012000	OIL FELT				1
63	B1604141H00	BUSHING, FRONT				1
64	21122304	BUSHING, REAR				1
65	D1704241E00	UP AND DOWN FEED FORKED				1
66	B1703241H00	FEED DRIVING SHAFT CRANK, REAR				1
67	B1602241HA0	FEED BAR ASM.				1
68	B1602241H00	FEED BAR		*		1
69	B1706155000	FEED DRIVING SLIDE BLOCK HINGE		*		1
70	B1707155000	FEED DRIVING SLIDE BLOCK WASHE		*		1
71	B1705155000	FEED DRIVING SLIDE BLOCK		*		1
72	SD1000951SP	HINGE SCREW D=10 H=9,5				1
73	NS6680410SP	NUT 9/32-28				1
74	SS7111120SP	SCREW 11/64-40 L=10.5				1
75	CS147101ASH	THRUST COLLAR ASM. D=14.72 W=1				1
76	SS8660610TP	SCREW 1/4-40 L=6		*		2
77	CS1471012SH	THRUST COLLAR D=14.72 W=10		*		1

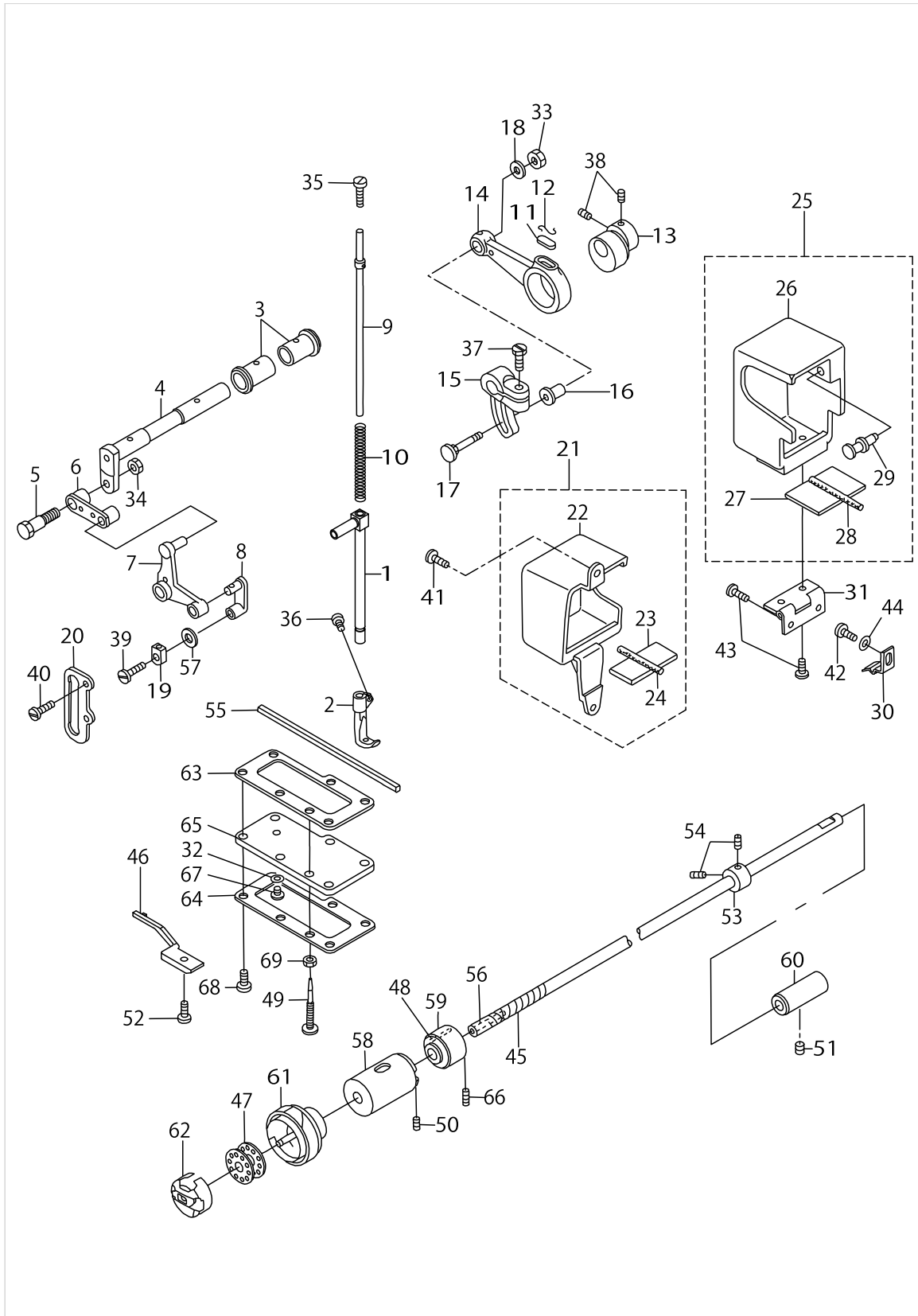
UPPER FEED MECHANISM & HOOK DRIVING SHAFT COMPONENTS



UPPER FEED MECHANISM & HOOK DRIVING SHAFT COMPONENTS

No.	Parts No.	Parts name	Remarks	Level	Cons	Qty
1	B1466563000	WALKING BAR				1
2	D1470241E00	FEED FOOT				1
3	B1455053000	BUSHING				2
4	10314003	UPPER FEED DRIVING SHAFT				1
5	B3008141H00	HINGE SCREW				1
6	D1458241E00	CONNECTING LINK				1
7	D1459241E00	L SHAPED LINK				1
8	10314508	WALKING BAR DRIVING LINK				1
9	B14670530A0	WALKING BAR ASM.				1
10	B1468053000	WALKING BAR SPRING				1
11	B1702012000	OIL FELT				1
12	B1213012000	FELT RETAINER				1
13	D1450055B00	UPPER FEED DRIVING CAM				1
14	D1453241E00	UPPER FEED DRIVING ROD				1
15	D1454055B00	UPPER FEED SPRING ROD				1
16	D1455055B00	CONNECTING STUD				1
17	D1456055B00	HINGE SCREW				1
18	WP0482086SD	WASHER 4.8X11.5X2				1
19	B1414555000	SLIDE BLOCK				1
20	B1467563000	UPPER FEED BAR GUIDE				1
21	21122858	UPPER FEED COVER ASM., FRONT				1
22	21122809	UPPER FEED COVER, FRONT		*		1
23	D1481241E00	FELT		*		1
24	CQ303000000	OIL WICK		*		0.2
25	21122957	UPPER FEED COVER ASM., REAR				1
26	21122908	UPPER FEED COVER, REAR		*		1
27	D1483241E00	FELT		*		1
28	CQ303000000	OIL WICK		*		0.2
29	D1484241E00	PIN		*		1
30	D1485241E00	UPPER FEED COVER SPRING				1
31	D1486241E00	UPPER FEED COVER HINGE				1
32	B3508019000	WASHER				1
33	NS6110530SP	NUT 11/64-40				1
34	NS6660430SP	NUT 1/4-40				1
35	SS6151220SP	SCREW 15/64-28 L=11.5				1
36	B1471241H00	SCREW				1
37	SS9161610SP	SCREW 1/4-24 L=16				1
38	SS8660610TP	SCREW 1/4-40 L=6				2
39	SS7110510SP	SCREW 11/64-40 L=5				1
40	SS7110910SP	SCREW 11/64-40 L=8.5				2
41	SS7111120SP	SCREW 11/64-40 L=10.5				2
42	SS7110710SP	SCREW 11/64-40 L=7				1
43	SS7110710SP	SCREW 11/64-40 L=7				4
44	WP0450000SD	WASHER 4.5X8X0.5				1
45	21122502	HOOK DRIVING SHAFT				1
46	B1835241H00	BOBBIN CASE POSITIONING FINGER				1
47	B9117201000	BOBBIN				1

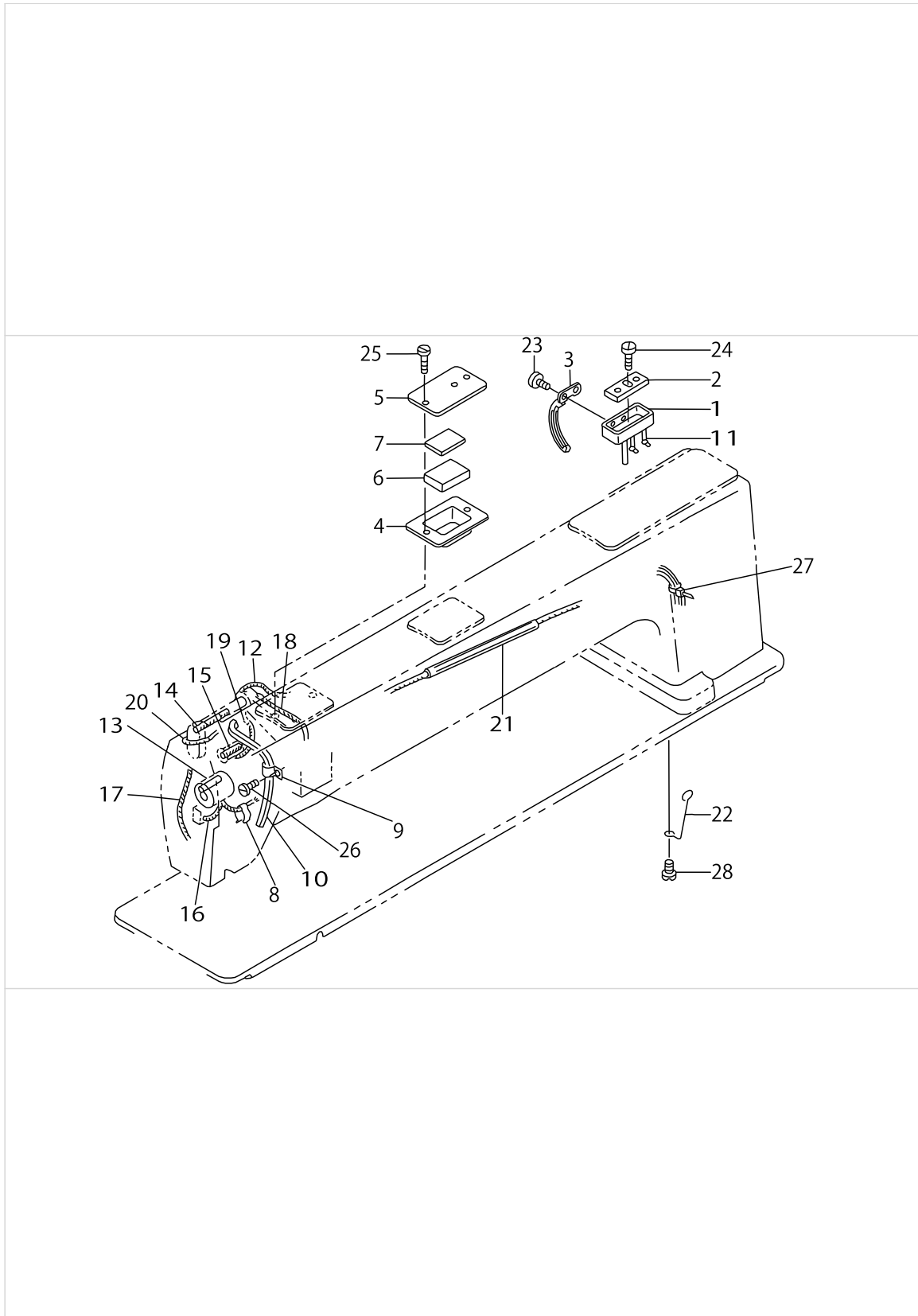
UPPER FEED MECHANISM & HOOK DRIVING SHAFT COMPONENTS



UPPER FEED MECHANISM & HOOK DRIVING SHAFT COMPONENTS

No.	Parts No.	Parts name	Remarks	Level	Cons	Qty
48	CQ202000000	OIL WICK				0.1
49	D1153141E00	OIL ADJUSTING SCREW				1
50	SS8150710SP	SCREW 15/64-28 L=7				1
51	SS8150710SP	SCREW 15/64-28 L=7				1
52	SS6111620SP	SCREW 11/64-40 L=16.0				1
53	D1841141E00	THRUST COLLAR				1
54	SS8660410SP	SCREW 1/4-40 L= 4.2				2
55	B1155141H00	OIL PIEP				1
56	CQ200000000	OIL WICK				0.1
57	10509701	FELT				1
58	21122601	BUSHING, FRONT				1
59	D1803141E00	BUSHING, INTERMEDIATE				1
60	B1806271000	LOWER SHAFT BUSHING,REAR				1
61	B1830241HA0	HOOK ASM.				1
62	B1837241H00	BOBBIN CASE				1
63	D1152141E00	GASKET				1
64	D1154141E00	OIL RESERVOIR COVER PLATE				1
65	D1151141E00	OIL RESERVOIR COVER				1
66	SS8110320SP	SCREW 11/64-40 L= 3.2				1
67	SS5660440SP	SCREW 1/4-40 L= 4.0				1
68	SS6111210SP	SCREW 11/64-40 L=12				6
69	NS6110530SP	NUT 11/64-40				1

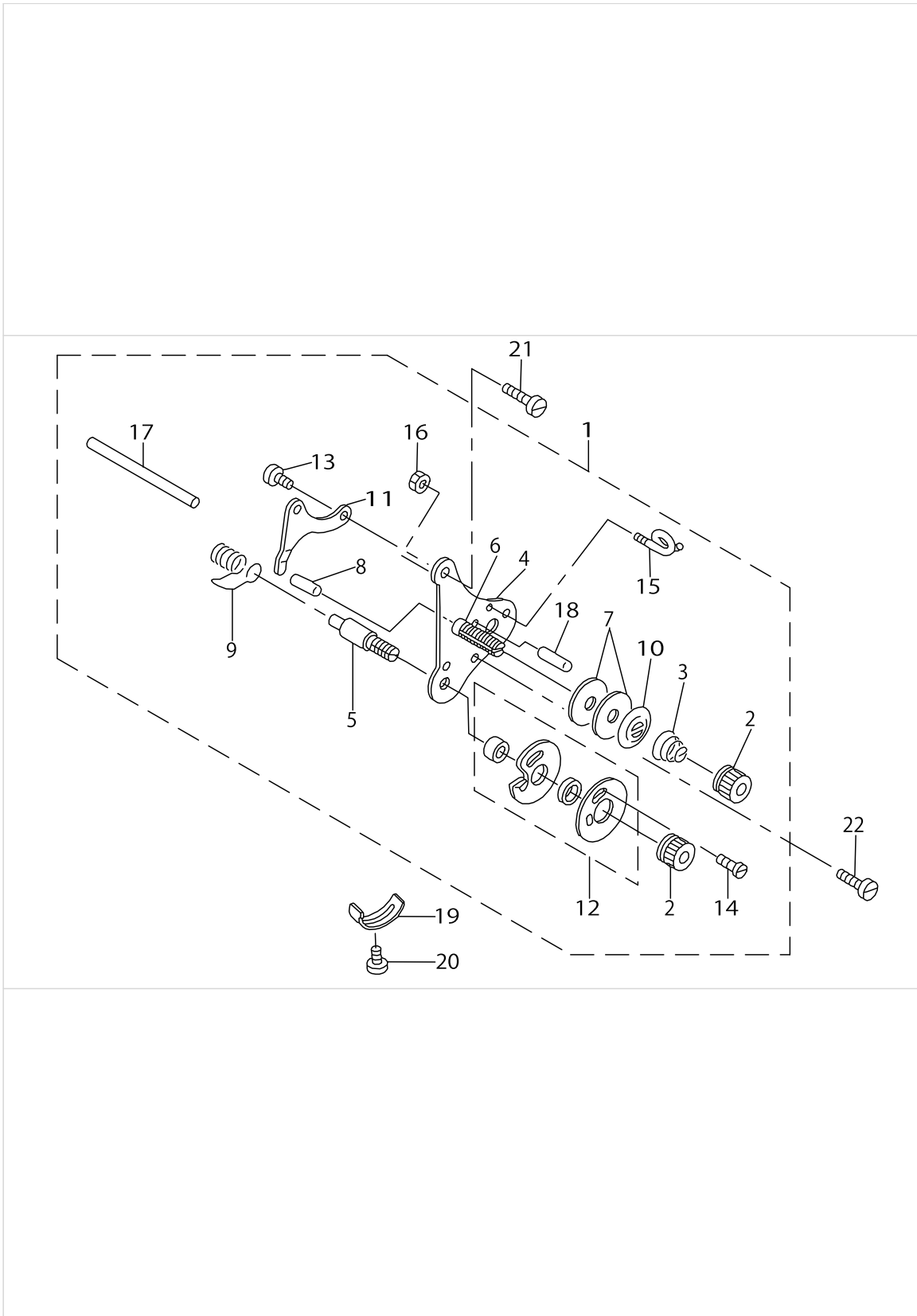
LUBRICATION COMPONENTS



LUBRICATION COMPONENTS

No.	Parts No.	Parts name	Remarks	Level	Cons	Qty
1	B8217241H00	OIL RESERVOIR				1
2	B8218241H00	OIL PAD				1
3	B3502115000	OIL WICK RETAINER				1
4	D3501241E00	OIL TANK				1
5	D3502241E00	OIL TANK COVER				1
6	D3503241E00	FELT				1
7	D3504241E00	OIL SPONGE				1
8	B1437051000	OIL WICK RETAINER				1
9	B3508512000	OIL FELT HOLDER				1
10	21124201	FELT				1
11	CQ202000000	OIL WICK				0.4
12	CQ202000000	OIL WICK				0.1
13	CQ202000000	OIL WICK				0.2
14	CQ202000000	OIL WICK				0.3
15	D3505241E00	OIL WICK				1
16	CQ202000000	OIL WICK				0.2
17	CQ202000000	OIL WICK				0.9
18	CQ202000000	OIL WICK				0.3
19	CQ202000000	OIL WICK				0.2
20	CQ202000000	OIL WICK				0.9
21	BP600000000	VINYL PIPE				0.8
22	D3506241E00	PIPE HOLDER				1
23	SS7080510TP	SCREW 1/8-44 L=4.5				2
24	SS7111810SP	SCREW 11/64-40 L=18				1
25	SS7111120SP	SCREW 11/64-40 L=10.5				2
26	SS7110710SP	SCREW 11/64-40 L=7				1
27	EA9500B0100	CABLE BAND				3
28	SS7110710SP	SCREW 11/64-40 L=7				1

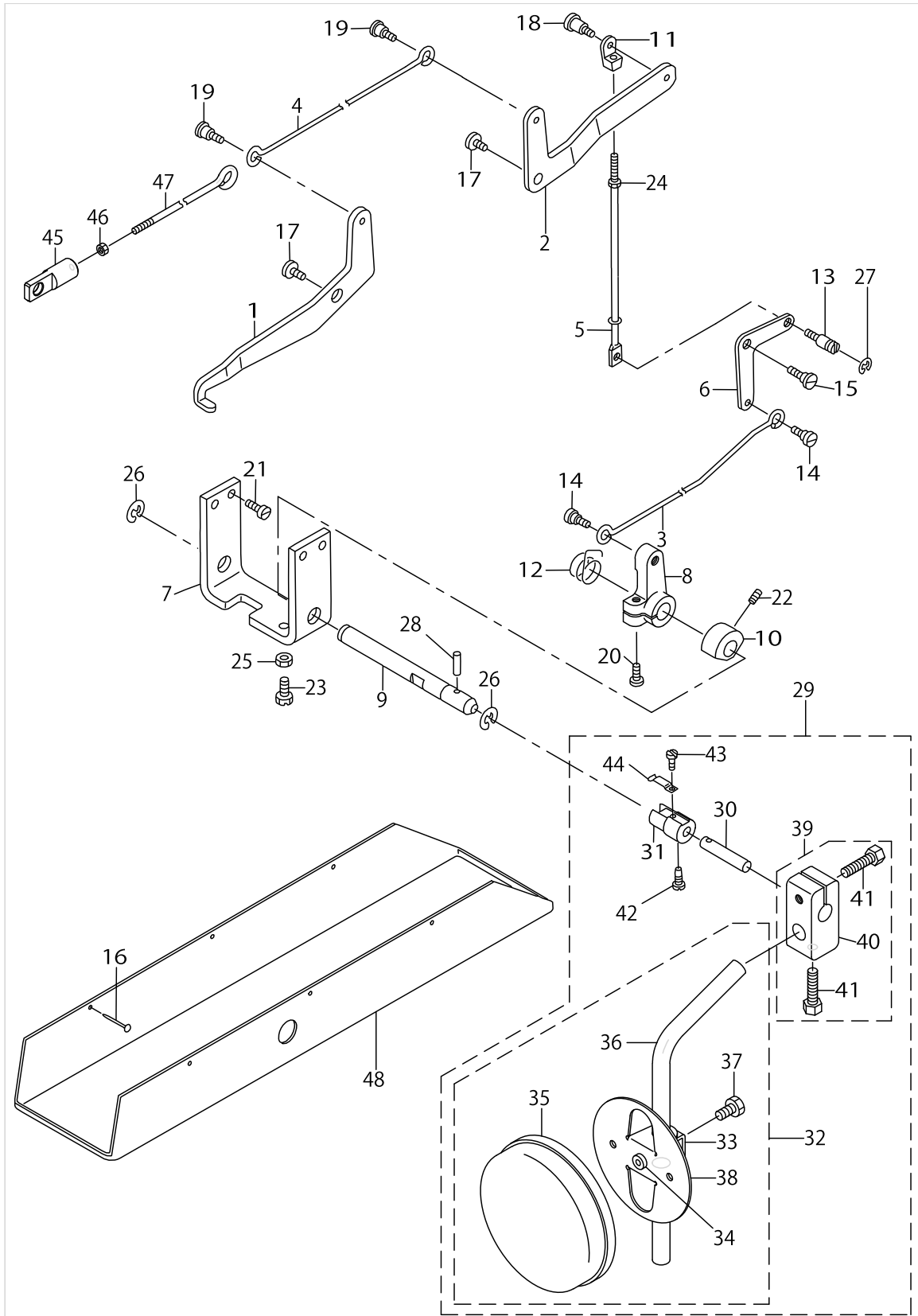
THREAD TENSION COMPONENTS



THREAD TENSION COMPONENTS

No.	Parts No.	Parts name	Remarks	Level	Cons	Qty
1	B31212450A0	TENSION CONTROLLER ASM.				1
2	B3125012000	THREAD TENSION NUT		*		2
3	B3129053000	TENSION SPRING		*		1
4	B3121245000	TENSION POST BASE		*		1
5	B3123051000	TAKE-UP SPRING STUD		*		1
6	B3124051000	TENSION STUD		*		1
7	B3126051000	TENSION DISC		*		2
8	B3127051000	TENSION RELEASE PIN, SHORT		*		1
9	B3128051000	THREAD TAKE-UP SPRING, A		*		1
10	B3132051000	TENSION DISC HOLDER		*		1
11	B3134051000	TENSION RELEASE LEVER		*		1
12	B31370510A0	TAKE-UP SPRING GUIDE DISC ASM.		*		1
13	SD0470281SP	HINGE SCREW D=4.7 H=2.8		*		2
14	SS4080610SP	SCREW 1/8-44 L=6.4		*		1
15	B3114761000	FRAME THREAD GUIDE B		*		1
16	NS6060350SP	NUT 3/32-56		*		1
17	B3122053000	TENSION RELEASE BAR		*		1
18	PS0200122K0	SPRING PIN 2.0X12		*		1
19	B3138512000	TAKE-UP SPRING ADJUSTING PLATE				1
20	SS7090520SP	SCREW 9/64-40 L= 4.5				1
21	SS7110710SP	SCREW 11/64-40 L=7				1
22	SS2090710SP	SCREW 9/64-40 L=7				1

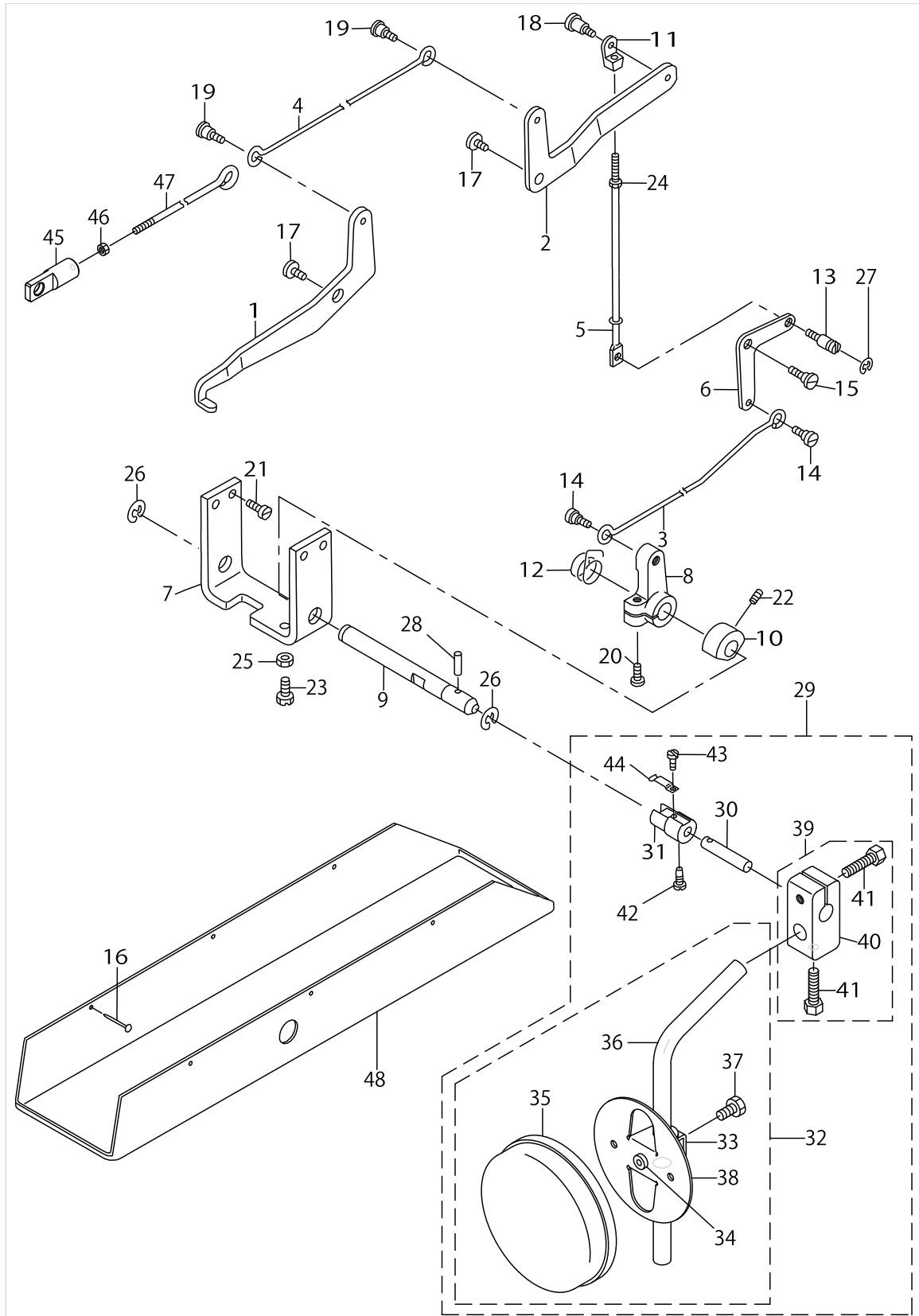
KNEE LIFTER & OIL PAN COMPONENTS



KNEE LIFTER & OIL PAN COMPONENTS

No.	Parts No.	Parts name	Remarks	Level	Cons	Qty
1	21123104	KNEE LIFTER LIFTING LEVER, A				1
2	21123203	KNEE LIFTER LIFTING LEVER, B				1
3	21123302	SIDE BAR, A				1
4	21123401	SIDE BAR, B	FOR DNU-261H			1
5	21108501	BAR				1
6	21123500	KNEE LIFTER LIFTING LINK ARM				1
7	21123609	KNEE LIFTER LIFTING BASE				1
8	21123708	KNEE LIFTER LIFTING ARM				1
9	21123807	KNEE PUT SIDE BAR				1
10	21123906	STOPPER				1
11	B3416141H00A	SWIVEL				1
12	10527000	SPRING				1
13	B3416552000	CONNECTING ROD HINGE SCREW				1
14	SD0790431SP	HINGE SCREW D= 7.94 H= 4.3				2
15	SD0720331SP	HINGE SCREW D= 7.24 H= 3.3				1
16	10539906	SET NAIL				6
17	SD0790361SP	HINGE SCREW D= 7.94 H= 3.6				2
18	SD0790351SP	HINGE SCREW D=7.9 H=3.5				1
19	SD0790431SP	HINGE SCREW D= 7.94 H= 4.3				2
20	SS6121610TP	SCREW 3/16-28 L=15.5				1
21	SM6061602TP	SCREW M6 L=16				4
22	SS8660612TP	SCREW 1/4-40 L=6				1
23	SS9661610CP	SCREW 1/4-40 L=16				2
24	NS6620310SP	NUT 3/16-32				1
25	NS6660430SP	NUT 1/4-40				2
26	RE1000000K0	E-RING 10				2
27	RE0500000K0	E-RING				1
28	B3432521000	PIN				1
29	10528651	KNEE PRESS ROD BRACKET				1
30	10528602	KNEE PRESS ROD B		*		1
31	10528701	JOINT		*		1
32	22934251	KNEE PAD PLATE ASM.		*		1
33	22934301	KNEE PAD PLATE SUPPORT		*		1
34	22934400	KNEE PAD PLATE RUBBER		*		1
35	22934509	KNEE PAD PLATE COVER		*		1
36	22934608	KNEE PAD UPRIGHT SHAFT		*		1
37	SM9061203SE	SCREW M6 L=12		*		1
38	22934202	KNEE PAD PLATE		*		1
39	40024739	KNEE PRESS ROD MOUNTING ARM AS		*		1
40	40024738	KNEE PRESS ROD MOUNTING ARM		*		1
41	22934707	SCREW		*		2
42	SS7151550SP	SCREW 15/64-28 L=14.5		*		1
43	SS7090510SP	SCREW 9/64-40 L= 4.6		*		1
44	B3428521000	PRESSER SPRING		*		1
45	21126107	SWIVEL	FOR DNU-261H/AK-70A,AK-70B, DNU-261H-OB/AK-70A,AK-70B			1
46	NM6040000SB	NUT M4X0.7	FOR DNU-261H/AK-70A,AK-70B, DNU-261H-OB/AK-70A,AK-70B			1

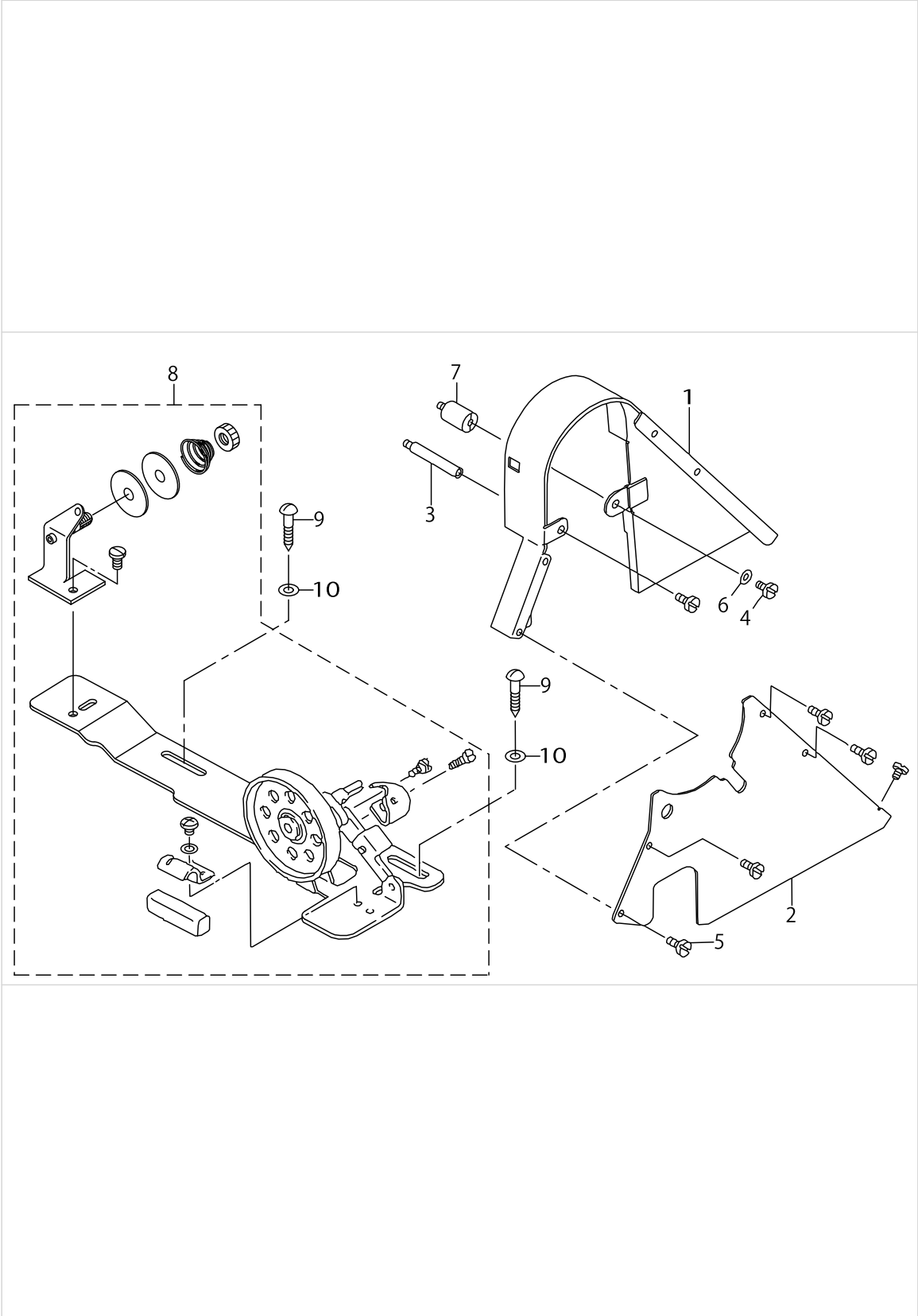
KNEE LIFTER & OIL PAN COMPONENTS



KNEE LIFTER & OIL PAN COMPONENTS

No.	Parts No.	Parts name	Remarks	Level	Cons	Qty
47	21126206	PRESSER LIFTER CONNECTING ROD	FOR DNU-261H/AK-70A,AK-70B, DNU-261H-OB/AK-70A,AK-70B			1
48	21124102	OIL PAN				1

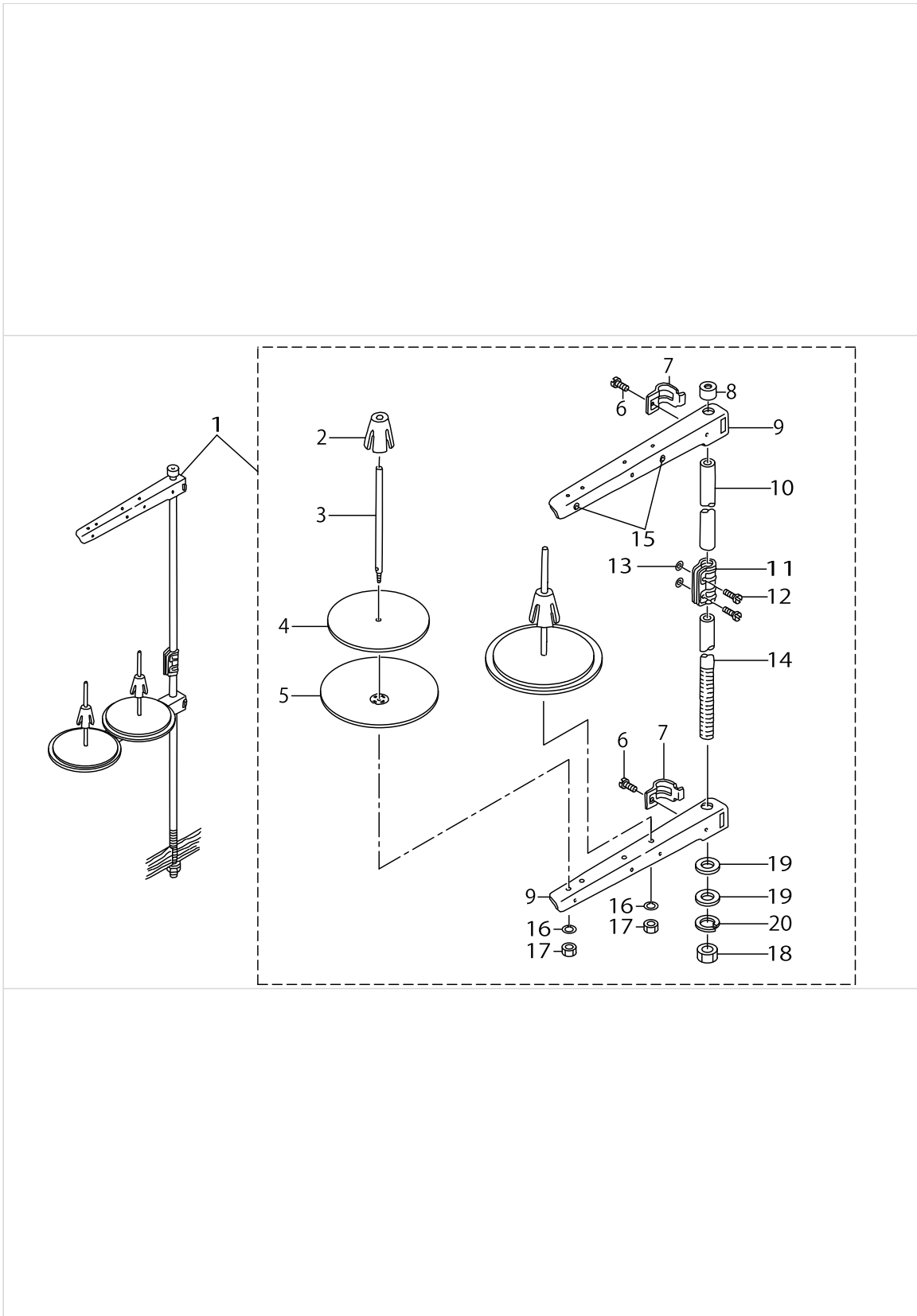
BELT COVER & THREAD WINDER COMPONENTS



BELT COVER & THREAD WINDER COMPONENTS

No.	Parts No.	Parts name	Remarks	Level	Cons	Qty
1	D8230241E00	BELT COVER				1
2	10218006	BELT COVER PLATE				1
3	D8232241E00	BELT COVER SUPPORT A				1
4	SS7150740SP	SCREW 15/64-28 L=7				1
5	SS7110510SP	SCREW 11/64-40 L=5				6
6	WP0621016SD	WASHER 6.2X13X1				1
7	D8233241E00	BELT COVER SUPPORT B				1
8	11415866	BOBBIN WINDER COMPL				1
9	SK3482500SC	WOOD SCREW D=4.8 L=25				2
10	WP0501016SC	WASHER 5X10.5X1				2

THREAD STAND COMPONENTS



THREAD STAND COMPONENTS

No.	Parts No.	Parts name	Remarks	Level	Cons	Qty
1	22930358	THREAD STAND ASM.				1
2	22931109	SPOOL RETAINER		*		2
3	22931000	SPOOL PIN		*		2
4	22930903	SPOOL REST CUSHION		*		2
5	22930804	SPOOL REST		*		2
6	SM6061610SC	SCREW M6 L=16		*		2
7	22930705	THREAD GUIDE ARM JOINT		*		2
8	22931406	SPOOL REST ROD RUBBER CAP		*		1
9	22930507	SPOOL REST ARM		*		2
10	22930408	SPOOL REST ROD, UPPER		*		1
11	22931307	SPOOL REST ROD JOINT		*		1
12	SM4051405SE	SCREW M5 L=14		*		2
13	NM6050001SE	NUT M5		*		2
14	22930309	SPOOL REST ROD, LOWER		*		1
15	22931208	THREAD GUIDE		*		2
16	WS0510002KN	SPRING WASHER		*		2
17	NM6050001SE	NUT M5		*		2
18	NM6160511SE	NUT M16X1.5		*		1
19	WP1702600S0	WASHER 17X30X2.6		*		2
20	WS1643202KR	SPRING WASHER		*		1

TABLE COMPONENTS

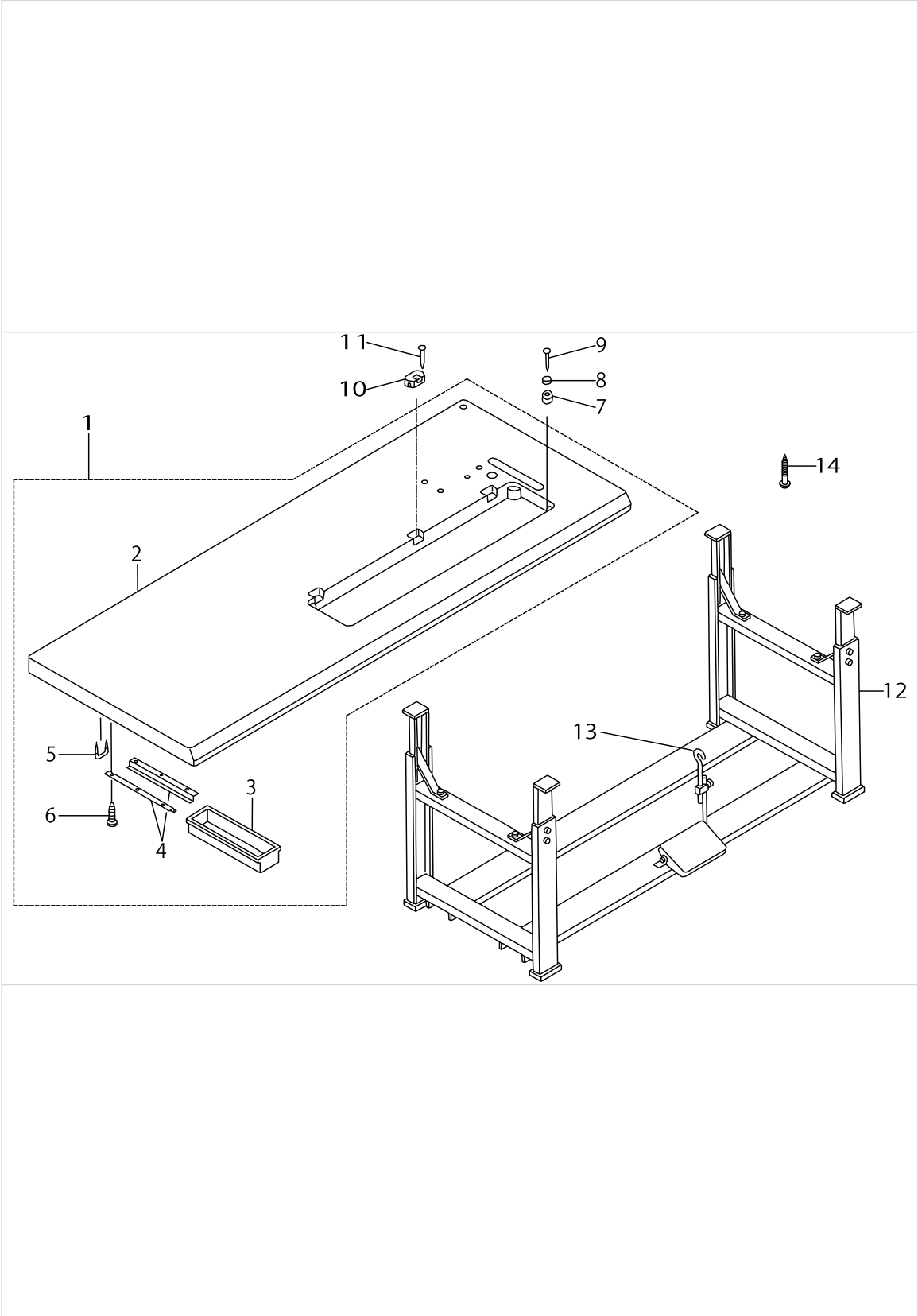
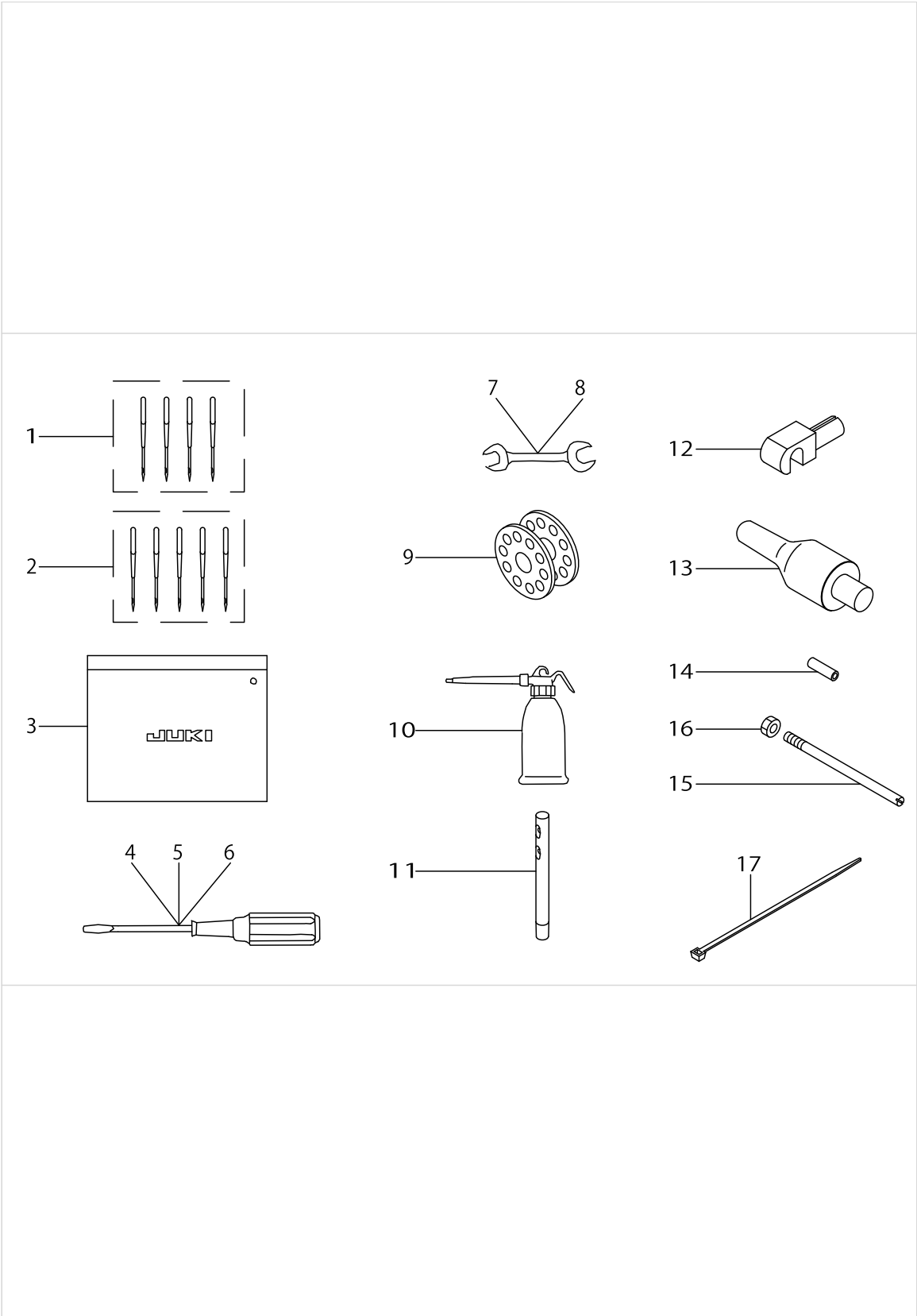


TABLE COMPONENTS

No.	Parts No.	Parts name	Remarks	Level	Cons	Qty
1	21117759	TABLE				1
2	21117700	TABLE (DNU-261H)		*		1
3	D8203555B00	DRAWER		*		1
4	B8204012000	DRAWER SUPPORT		*		2
5	D8204555D00	DRAWER STOPPER		*		1
6	SK3311600SE	WOOD SCREW D=3.1 L=16		*		6
7	B8209012000	RUBBER CUSHION				4
8	B8206012000	FELT CUSHION				4
9	10539906	SET NAIL				4
10	10529600	WASHER				3
11	10539906	SET NAIL				6
12	21124458	STAND ASM.				1
13	B71140120A0	MOTOR CONNECTING ROD ASM.				1
14	SK3513200SC	WOOD SCREW D=5.1 L=32				4

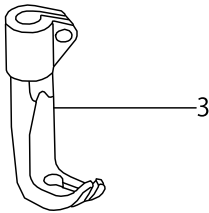
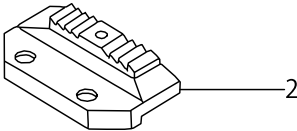
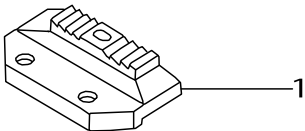
ACCESSORIES PARTS COMPONENTS



ACCESSORIES PARTS COMPONENTS

No.	Parts No.	Parts name	Remarks	Level	Cons	Qty
1	MDP170B2304	NEEDLE DPX17 #23-4	EXCEPT JE			1
2	MC372001605	NEEDLE BAR SY3355 160-5	FOR JE			1
3	B9101552000	ACCESSORY BOX				1
4	22933006	SCREW DRIVER,LARGE				1
5	B9110012000	SCREW DRIVER, MIDDLE				1
6	B9111012000	SCREW DRIVER, SMALL				1
7	B9112012000	WRENCH (11X14)				1
8	B9113012000	WRENCH (9X10)				1
9	B9117201000	BOBBIN				4
10	B9121141HA0	OILER ASM.				1
11	22958300	NEEDLE THREAD GUIDE PIN				2
12	B8213012000	BED HINGE CONNECTION				3
13	14101208	HEAD SUPPORT BAR				1
14	BT0630520Z0	HOLDER COVER				1
15	10129005	SINCHRONIZER HOLDER STUD				1
16	NS6150430SP	NUT 15/64-28				1
17	EA9500B0100	CABLE BAND				1

GAUGE COMPONENTS



GAUGE COMPONENTS

No.	Parts No.	Parts name	Remarks	Level	Cons	Qty
1	D1613241E00	FEED DOG 4X2.5				1
2	D1613241E0A	FEED DOG 2.6X2.2				1
3	D1470241E0A	WALKING FOOT				1

HOW TO MAKE USE OF THIS PARTS LIST

1.Explanation of codes

1)"*"mark.....means this part is changed from the previous parts book.

As to the details of the change, refer to the "List for information of change".

2)"#01".....refer to "Note" explanation at bottom of page.

2.Codes on the "Qty" column

- Each numeral indicates the number of parts required.
- "0.1" and "2.5" indicate the length (in meters) of the respective parts.

3.Parentheses mean that the corresponding part is a subpart that constructs an assembly part.

4.Dotted lines on the Figures indicate assembly parts.

1."注記"欄の記号説明

1) "*"印.....前回のパーツブックに比較して今回変更された部品を意味します。

変更内容は、"変更情報リスト"を参照してください。

2) "#01".....ページ下の"注記"の説明を参照してください。

2.数量欄の数字は、個数を表し、0.1、2.5等の数値は、長さ（単位メートル）を表します。

3.数量欄の（ ）は、組部品を構成している子部品であることを意味します。

4.イラストページの-----枠は、組構成であることを意味します。

NUMERICAL INDEX OF PARTS

PART NO	PAGE	REF NO.	PART NO	PAGE	REF NO.	PART NO	PAGE	REF NO.
10100410	2	20	21123708	22	8	B11305210A0	2	11
10129005	32	15	21123807	22	9	B1131521000	2	13
10218006	26	2	21123906	22	10	B1132521000	2	14
10314003	14	4	21124102	24	48	B1140051000	2	17
10314508	14	8	21124201	18	10	B1147141H00	10	28
10509701	16	57	21124458	30	12	B1148141H00	10	29
10527000	22	12	21126107	22	45	B1155141H00	16	55
10528602	22	30	21126206	24	47	B1170246000	2	22
10528651	22	29	21410006	2	5	B1202241H00	4	4
10528701	22	31	22901805	2	38	B1203051000	4	9
10529600	30	10	22907109	8	49	B1203241H00	4	5
10539906	22	16	22907604	6	41	B1204241H00	4	6
10539906	30	11	22930309	28	14	B1208019000	8	52
11415866	26	8	22930358	28	1	B1208141H00	4	8
14101208	32	13	22930408	28	10	B1210051000	4	10
21108501	22	5	22930507	28	9	B1211141H00	4	7
21117700	30	2	22930705	28	7	B1211226000	4	11
21117759	30	1	22930804	28	5	B1212012000	4	12
21120209	2	18	22930903	28	4	B1213012000	4	13
21120407	2	1	22931000	28	3	B1213012000	14	12
21120506	2	3	22931109	28	2	B1230051000	4	14
21120654	2	10	22931208	28	15	B1301241H00	4	32
21121108	4	1	22931307	28	11	B1302241H00	4	33
21121207	4	2	22931406	28	8	B1303271000	4	34
21121405	6	4	22933006	32	4	B13050120A0	4	37
21121603	6	17	22934202	22	38	B13052710B0	4	35
21121702	6	21	22934251	22	32	B13061550A0	4	38
21121801	6	22	22934301	22	33	B13071550A0	4	39
21122106	10	60	22934400	22	34	B13072710A0	4	36
21122106	12	60	22934509	22	35	B13081550A0	4	40
21122205	10	3	22934608	22	36	B1410771000	6	11
21122304	10	64	22934707	22	41	B1414232000	6	10
21122304	12	64	22958300	32	11	B1414555000	14	19
21122502	14	45	23002207	6	12	B1419245000	6	3
21122601	16	58	40024738	22	40	B1420563000	6	1
21122809	14	22	40024739	22	39	B1424158000	6	9
21122858	14	21	A1111007000	2	8	B1434241H00	6	5
21122908	14	26	B1103051000	2	23	B1437051000	18	8
21122957	14	25	B1103141H00	2	24	B1455053000	14	3
21123104	22	1	B1112241H00	2	7	B1460245000	6	44
21123203	22	2	B1112241HA0	2	6	B14602460A0	6	46
21123302	22	3	B1118241H00	2	4	B1461245000	6	25
21123401	22	4	B1128522000	2	16	B1462053000	6	47
21123500	22	6	B1129563000	2	21	B1466563000	14	1
21123609	22	7	B1130521000	2	12	B14670530A0	14	9

NUMERICAL INDEX OF PARTS

PART NO	PAGE	REF NO.	PART NO	PAGE	REF NO.	PART NO	PAGE	REF NO.
B1467563000	14	20	B3009141H0B	6	7	CQ202000000	16	48
B1468053000	14	10	B3114761000	20	15	CQ202000000	18	20
B1471241H00	14	36	B3121245000	20	4	CQ252000000	4	44
B1501241H00	6	37	B31212450A0	20	1	CQ252000000	6	31
B1509141H00	6	40	B3122053000	20	17	CQ303000000	4	18
B1510141H00	6	39	B3123051000	20	5	CQ303000000	14	28
B1512141H00	6	42	B3124051000	20	6	CQ505000000	4	16
B1515051000	6	43	B3125012000	20	2	CS1271012SH	4	15
B1525241HA0	6	38	B3126051000	20	7	CS1471012SH	12	77
B1602241H00	12	68	B3127051000	20	8	CS147101ASH	12	75
B1602241HA0	12	67	B3128051000	20	9	D1151141E00	16	65
B1603141H00	10	9	B3129053000	20	3	D1152141E00	16	63
B1604012000A	10	7	B3132051000	20	10	D1153141E00	16	49
B1604141H00	10	63	B3134051000	20	11	D1154141E00	16	64
B1604141H00	12	63	B31370510A0	20	12	D1158241E00	2	2
B1605241H00A	10	8	B3138512000	20	19	D1206241E00	4	3
B1614241H00	10	10	B3416141H00A	22	11	D1401241E00	6	13
B1617241H00	10	17	B3416552000	22	13	D1408241E00	6	14
B1619241H00	10	11	B3428521000	22	44	D1411241E00	6	16
B1621241H00	10	21	B3432521000	22	28	D1412241E00	6	15
B1622241H00A	10	13	B3502115000	18	3	D1423241E00	6	20
B1624586000	10	22	B3508019000	14	32	D1450055B00	14	13
B1627241H00	10	15	B3508512000	18	9	D1453241E00	14	14
B1634241H00	10	24	B3517009000	2	19	D1454055B00	14	15
B1636141H00	10	27	B71140120A0	30	13	D1455055B00	14	16
B1637141H00	10	26	B8204012000	30	4	D1456055B00	14	17
B1638141H00	10	47	B8206012000	30	8	D1458241E00	14	6
B1646241H00	10	20	B8209012000	30	7	D1459241E00	14	7
B1648122000	10	23	B8213012000	32	12	D1462241E00	8	48
B1650241H00	10	14	B8217241H00	18	1	D1463241E00	8	51
B1651141H00	10	5	B8218241H00	18	2	D1464241E0A	8	50
B1702012000	12	62	B9101552000	32	3	D1470241E00	14	2
B1702012000	14	11	B9110012000	32	5	D1470241E0A	34	3
B1703241H00	12	66	B9111012000	32	6	D1481241E00	14	23
B1705155000	12	71	B9112012000	32	7	D1483241E00	14	27
B1706155000	12	69	B9113012000	32	8	D1484241E00	14	29
B1707155000	12	70	B9117201000	14	47	D1485241E00	14	30
B1708241H00	12	61	B9117201000	32	9	D1486241E00	14	31
B1806271000	16	60	B9121141HA0	32	10	D1613241E00	34	1
B1830241HA0	16	61	BP600000000	18	21	D1613241E0A	34	2
B1835241H00	14	46	BT0630520Z0	32	14	D1613241E0B	10	1
B1837241H00	16	62	CQ200000000	16	56	D1620241E0A	10	12
B1906051000	6	33	CQ202000000	4	20	D1623241EA0A	10	16
B2115271000	10	25	CQ202000000	6	35	D1704241E00	12	65
B3008141H00	14	5	CQ202000000	12	53	D1803141E00	16	59

NUMERICAL INDEX OF PARTS

PART NO	PAGE	REF NO.	PART NO	PAGE	REF NO.	PART NO	PAGE	REF NO.
D1841141E00	16	53	SD0790361SP	22	17	SS7110710SP	18	28
D1905241E00	6	32	SD0790431SP	22	19	SS7110710SP	20	21
D1907241E00	6	34	SD0800481SP	8	53	SS7110720SP	2	37
D3501241E00	18	4	SD1000951SP	10	72	SS7110910SP	14	40
D3502241E00	18	5	SD1000951SP	12	72	SS7111120SP	2	29
D3503241E00	18	6	SD1000952SP	6	6	SS7111120SP	12	74
D3504241E00	18	7	SK3311600SE	30	6	SS7111120SP	14	41
D3505241E00	18	15	SK3482500SC	26	9	SS7111120SP	18	25
D3506241E00	18	22	SK3513200SC	30	14	SS7111310SP	8	57
D8203555B00	30	3	SM4051405SE	28	12	SS7111810SP	6	30
D8204555D00	30	5	SM6031202TP	4	41	SS7111810SP	18	24
D8230241E00	26	1	SM6051410SC	4	42	SS7121410SP	10	37
D8232241E00	26	3	SM6061602TP	22	21	SS7150740SP	8	54
D8233241E00	26	7	SM6061610SC	28	6	SS7150740SP	26	4
EA9500B0100	18	27	SM9061203SE	22	37	SS7150940SP	2	36
EA9500B0100	32	17	SS2090710SP	2	34	SS7151210SP	10	38
MC372001600	6	19	SS2090710SP	20	22	SS7151330SP	10	42
MC372001605	32	2	SS2110915SP	2	31	SS7151550SP	22	42
MDP170B2300	6	18	SS3090520SP	2	32	SS7151610SP	6	26
MDP170B2304	32	1	SS4080610SP	20	14	SS7151610SP	10	32
NM6040000SB	22	46	SS4080620TP	10	31	SS7620750SP	10	40
NM6050001SE	28	17	SS5660440SP	16	67	SS7621040SP	8	56
NM6160511SE	28	18	SS6060210SP	2	9	SS7681750TP	4	22
NS6060350SP	20	16	SS6090910TP	6	45	SS8110320SP	16	66
NS6110530SP	14	69	SS6110710TP	4	45	SS8110510SP	2	27
NS6110530SP	16	69	SS6111210SP	16	68	SS8150710SP	4	31
NS6150430SP	32	16	SS6111620SP	16	52	SS8150710SP	10	51
NS6620310SP	22	24	SS6121050SP	10	34	SS8150710SP	12	51
NS6660430SP	14	34	SS6121210SP	10	35	SS8150710SP	16	51
NS6660430SP	22	25	SS6121610TP	22	20	SS8151150SP	6	36
NS6680410SP	12	73	SS6151220SP	10	41	SS8151550SP	4	43
PS0200122K0	20	18	SS6151220SP	14	35	SS8151780SP	4	25
PS0400182K0	12	48	SS6151440SP	10	45	SS8620610TP	10	30
PT0301600S0	6	23	SS6151920SP	12	56	SS8660410SP	16	54
RC1400001KP	12	55	SS7080510TP	6	27	SS8660610TP	4	28
RE0500000K0	22	27	SS7080510TP	18	23	SS8660610TP	12	76
RE0500711KP	12	49	SS7090510SP	22	43	SS8660610TP	14	38
RE0700000K0	6	24	SS7090520SP	20	20	SS8660612TP	22	22
RE1000000K0	22	26	SS7090610SP	2	35	SS8660810TP	10	44
RO074240100	12	54	SS7090710SP	10	39	SS8661040TP	10	43
SD0380551SL	2	15	SS7090910SP	6	28	SS8681650TP	4	23
SD0470281SP	20	13	SS7110510SP	14	39	SS9161610SP	14	37
SD0640231SP	10	46	SS7110510SP	26	5	SS9661610CP	22	23
SD0720331SP	22	15	SS7110710SP	2	33	TA0500601M0	4	21
SD0790351SP	22	18	SS7110710SP	14	43	TA1050504R0	2	26

NUMERICAL INDEX OF PARTS

PART NO	PAGE	REF NO.
TA1120804R0	2	28
WP0450000SD	14	44
WP0482086SD	14	18
WP0501016SC	26	10
WP0621016SD	26	6
WP0742016SP	6	8
WP1702600S0	28	19
WS0510002KN	28	16
WS1643202KR	28	20