

INTEΨA



AL-F100

AQUALOOP Prefilter 100

Installation and operating manual

WATER IS OUR ELEMENT

1. Note

Updated technical data, scope of application and basic dimensioning principles are available at:

<http://www.intewa.de/wasser/wasseraufbereitung/>

General background information for water treatment and grey water utilization can be found at:

http://wiki.intewa.net/index.php/Wasseraufbereitung_und_Grauwassernutzung

2. Scope of delivery

- Prefilter housing with built-in backflow valve
- Coarse filter basket with extraction handle
- 1" hose clamp for siphon hose clip
- 90° connection bend for sludge pump connection



Fig. 1: Scope of delivery

3. Installation instructions

- The tank pipe ducting must be sealed well (for instance, with rubber grommets)
- The prefilter is installed with a slope of 2-5 %. This implies that at least a 7 cm height difference exists between the inflow and overflow connections in a tank with 1 m diameter ($\Delta h_{\text{total}} = 5 \text{ cm} + \Delta h_{\text{slope}}$).
- For proper skimming, the prefilter is to be installed without any lateral inclination.
- The emergency overflow from the tank is channelled via the filter overflow.
- A siphon must be installed as an odour trapper as the overflow is connected to the sewer.
- The prefilter must be accessible from above for cleaning the coarse filter basket and enabling maintenance of the non-return valve.
- The suction overflow (1) is installed at an approximate distance of 20-50 mm from the bottom of the tank.

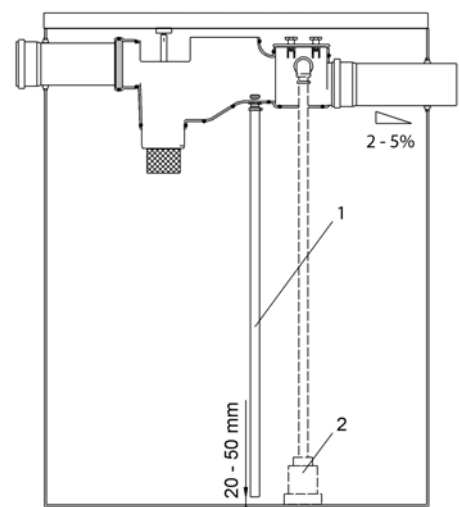


Fig. 2: Installation in the tank

- The optional usable sludge pump (Fig. 3) can be connected via the lateral connection supports of the backflow chamber. For this purpose, the stoppers are removed and 90° connection bends provided with the delivery are used.

Note:

Ensure a good seal between the connection bends and filter wall!



Fig. 3: Lateral sludge pump connection with stopper



Fig. 4: Installed 90° connection bend

4. Maintenance instructions

After commencing operation, the coarse filter basket should be checked every 2 months and cleaned, if necessary. The cleaning interval can then be extended depending on the build-up of contaminants.

The backflow valve must be checked twice a year and cleaned of any dirt or deposits.



Fig. 5: Extracting sieve and cleaning

5. Warranty / Contact

The warranty provisions are included in our sales conditions, and can be viewed at:

<http://www.intewa.de/1/cs/dialog/rechtliches/verkaufsbedingungen/>

For any queries, orders for spare parts or service enquiries, please get in touch with your local dealer or visit the service domain at the INTEWA website of your country. Always keep your purchase invoice handy.

www.intewa.com



www.aloaqua.co.nz

info@aloaqua.co.nz