

# INTEWA



**AL-BL 30 to AL-BL 200**  
**AQUALOOP Blower 30 liter to 200 liter**  
**Installation instructions**

WATER IS OUR ELEMENT

## 1. Note

Updated technical data, scope of application and basic dimensioning principles are available at:

<http://www.intewa.de/1/wasser/wasseraufbereitung/>

General background information for water treatment and grey water utilization can be found at:

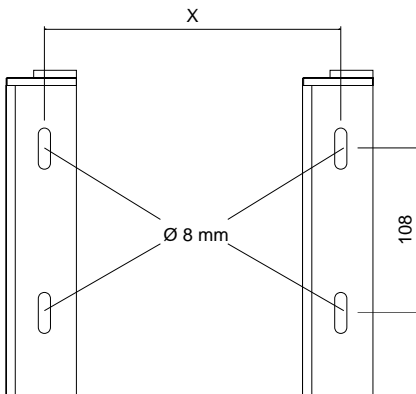
[http://wiki.intewa.net/index.php/Wasseraufbereitung\\_und\\_Grauwassernutzung/en](http://wiki.intewa.net/index.php/Wasseraufbereitung_und_Grauwassernutzung/en)

## 2. Scope of delivery

- Blower AL-BL
- Universal wall bracket including installation material
- Hose rubber crossover adaptor of Ø18 to Ø25 mm (only with AL-BL30 and AL-BL60)



## 3. Installation instructions for wall fixing



Blower	Plug distance X
AL-BL 30	110 mm
AL-BL 60	195 mm
AL-BL 100	285 mm
AL-BL 120	285 mm
AL-BL 200	240 mm

Plug drilling Ø 8 mm



## 4. Warranty / Contact

The warranty provisions are included in our sales conditions, and can be viewed at:

<http://www.intewa.de/1/cs/dialog/rechtliches/verkaufsbedingungen>

For any queries, orders for spare parts or service enquiries, please get in touch with your local dealer or visit the service domain at the INTEWA website of your country.

Always keep your purchase invoice handy.

[www.intewa.com](http://www.intewa.com)



[www.aloaqua.co.nz](http://www.aloaqua.co.nz)

[info@aloaqua.co.nz](mailto:info@aloaqua.co.nz)