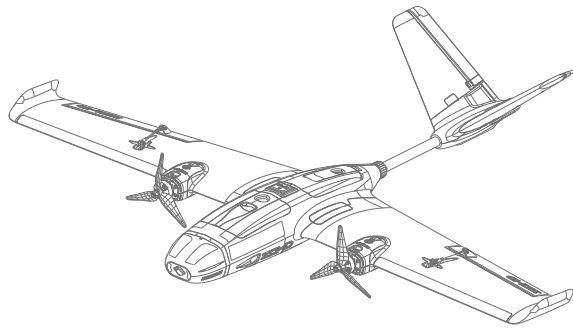


ZOHD ALTUS



User Guide

Thank you for supporting us
buying a ZOHD Altus

Stay connected with us through our social media channels:



Contact us: info@sonicmodell.com sales@sonicmodell.com

Customer service: cs@sonicmodell.com

www.zohd.net



Specs:

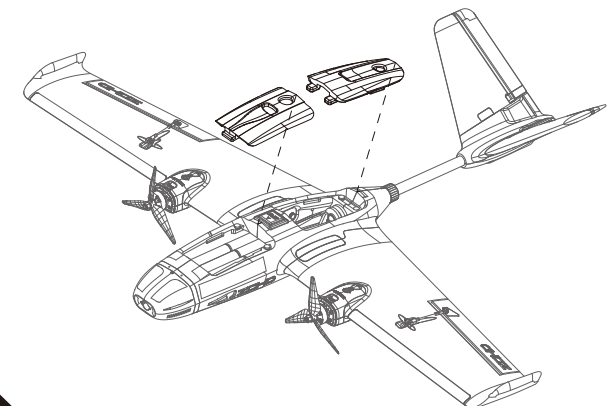
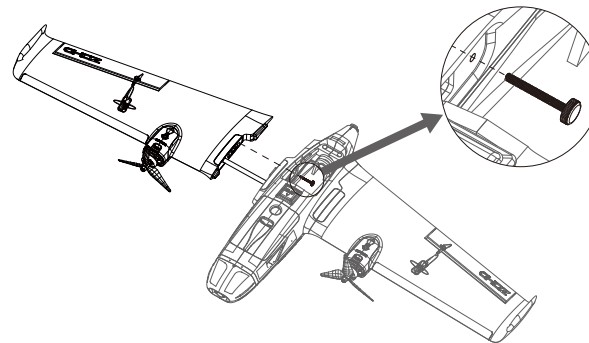
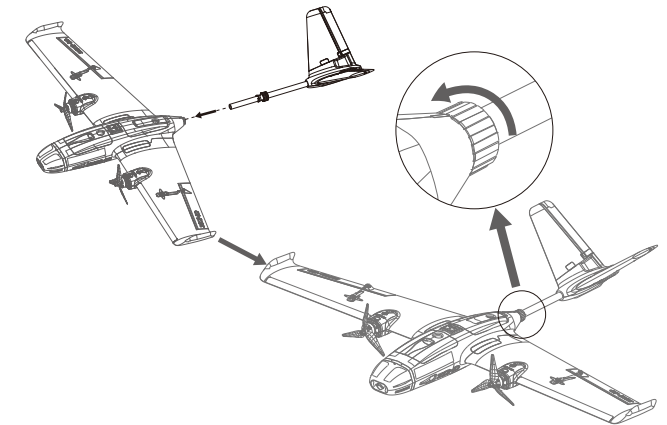
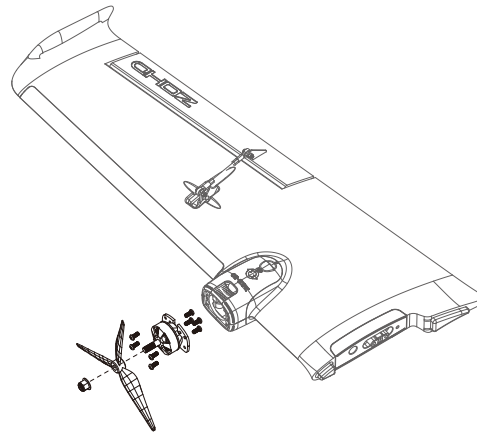
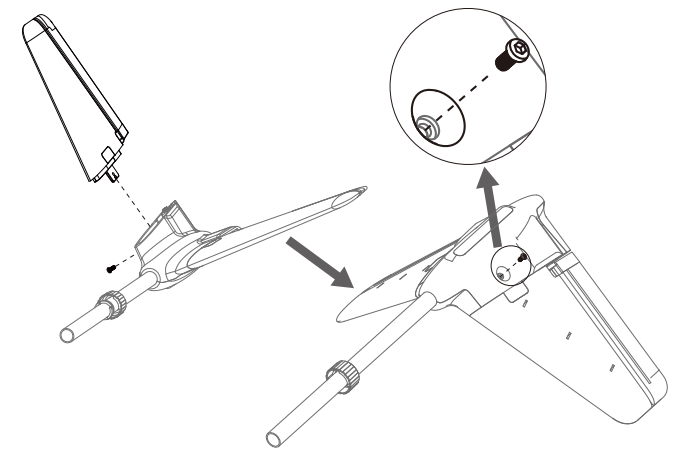
- Material: High-Quality EPP
- Wingspan: 980mm (38.58")
- Length: 770mm (30.31")
- Version: KIT, PNP

Recommended ZOHD Power Combo Configuration:

- Twin Motor: 2204-1870KV
- Twin ESC: 30A w/5V 2A BEC
- Servos: 4pcs 9g metal gear servo
- Propeller: 3 blades R42 (CW & CCW)
- Recommended Battery: Lipo 4S 2200-3700mAh
or ZOHD Lionpack 18650 452P 7000mAh

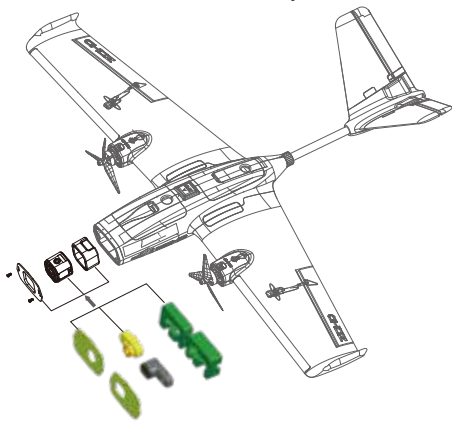
Recommended Flying Capability:

- Min. recommended speed: 30km/h
- Max. Speed (with ZOHD power combo): 120km/h
- Cruise speed (with ZOHD power combo): 70km/h @ 5A approx.
- Max recommended takeoff weight (with ZOHD power combo): 1200 grams approx.
- Recommended max. Throws: 12mm

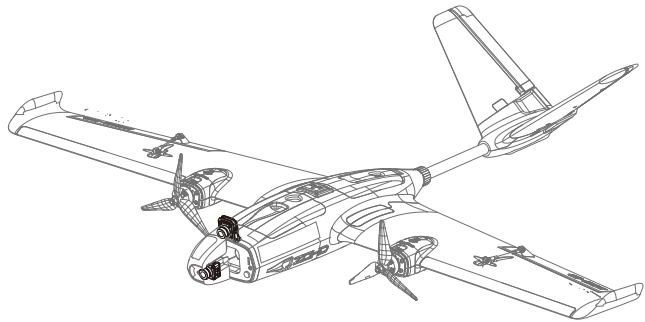
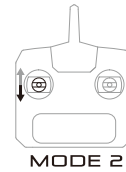
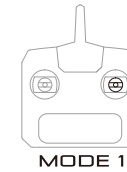
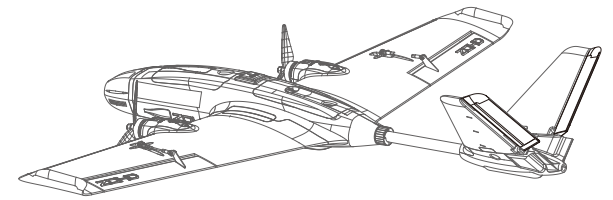
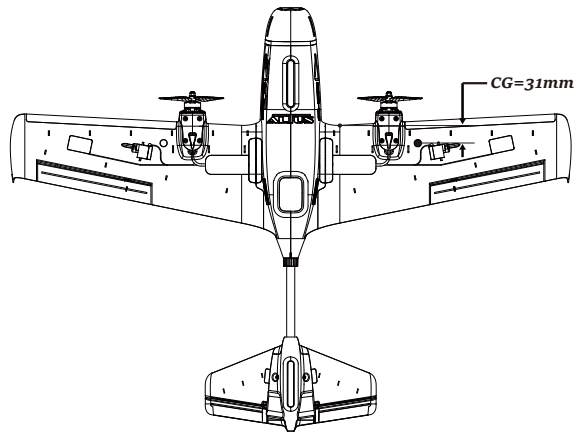


ZOHD
Inspiring The Future

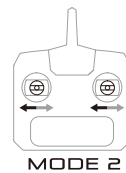
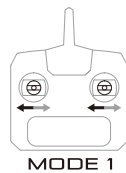
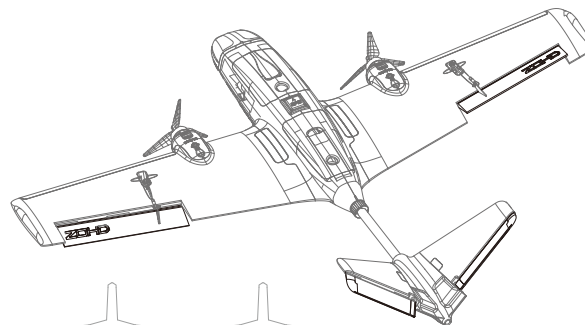
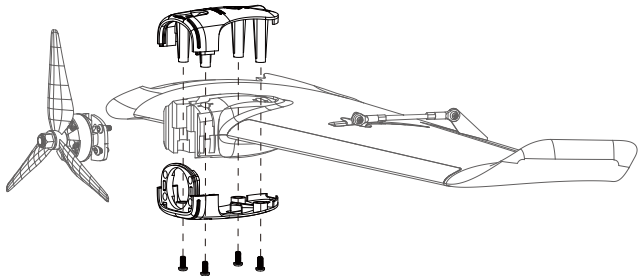
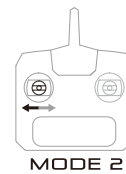
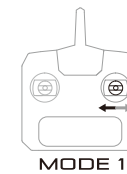
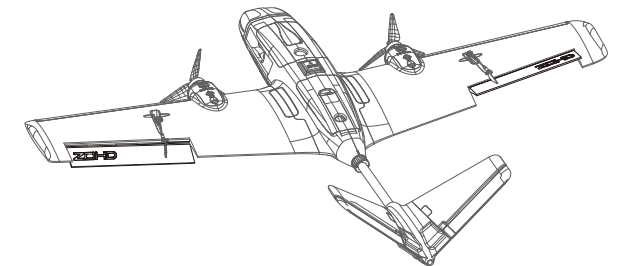
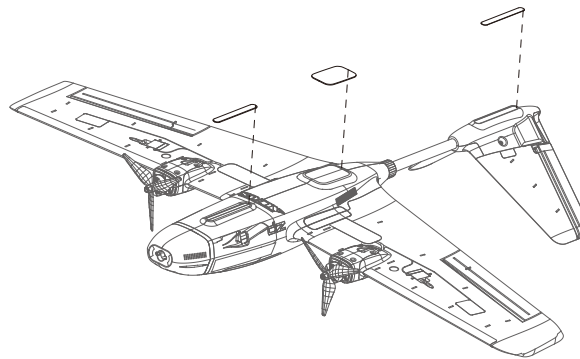
Camera Assembly



Center of Gravity



Landing Skids



CAUTION:

This product is NOT a toy. Adult supervision is required for those under 14 years old. Improper adjustments and operation will result in damage to the item and/or injuries to the operator or others. Experience is required prior to handling this product.