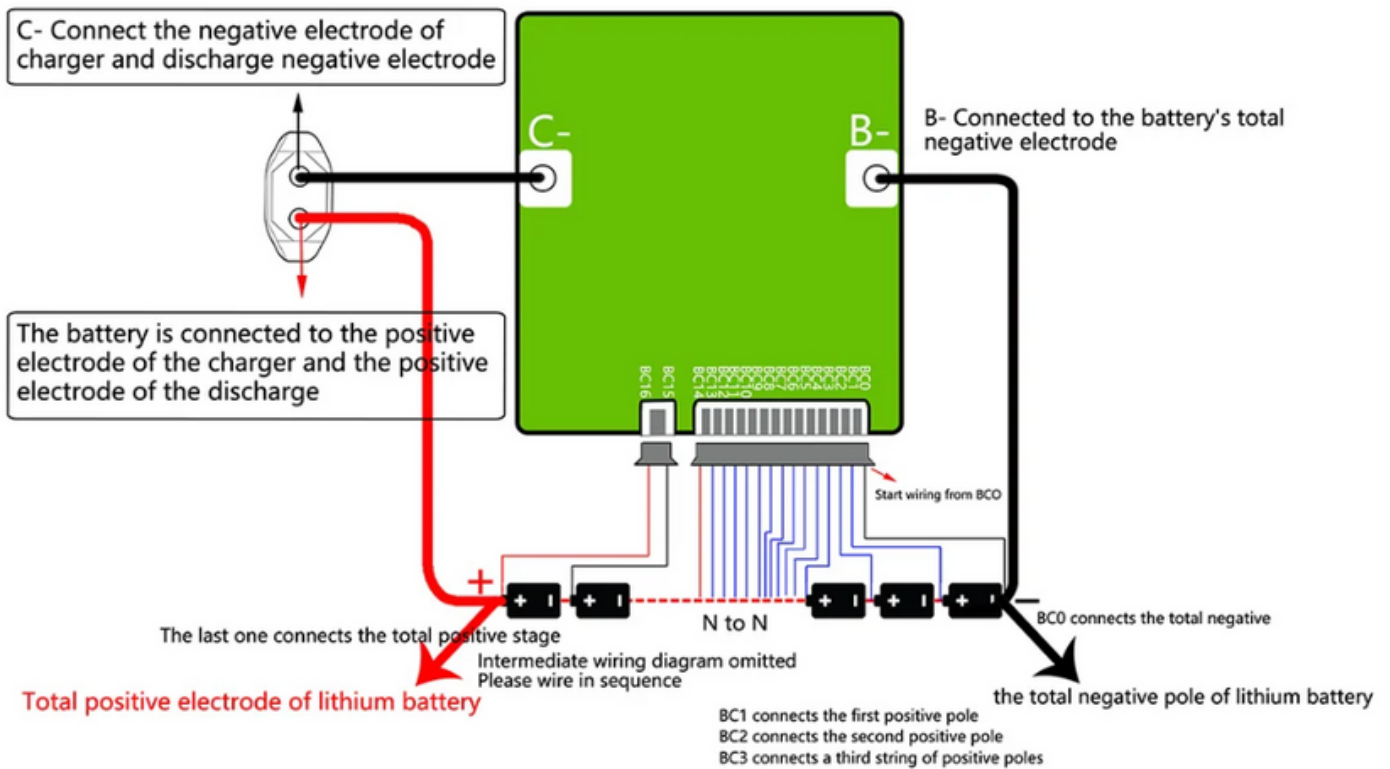


1. The figure below is a simple diagram



2. The following table is the selection of input and output line diameters

current linear	Within 20 a	25A	30A	40A	60A	80A	100A
Copper wire	2.5 square	4 square	6 square	8 square	14 square	22 square	38 square
The silicone line	14AWG	12AWG		10AWG	8AWG	6AWG	

Matters needing attention

1 The battery shall be matched well before installing the protection plate (the battery voltage difference is less than 0.05V, the internal resistance difference is less than 5 milliohm, and the capacity difference is less than 30 milliamps).

2. The battery voltage of the first connection of the protection plate should be neither too high nor too low. The lithium iron battery should be between 2.8 and 3.4V, and the polymer (ternary) battery should be between 3V and 4V

3. The thick lines of B-line and C-line must be welded. The length of B-line should be controlled within 15CM, and it is not allowed to charge and discharge before all the lines are connected

4.The positions of B-, C- and BCO of each board are different. Some of the BCO positions are on the left, and some of the BCO positions are on the right. There are silk characters on the board

5. The line corresponding to the BCO of the protection plate is the first line of wiring. When connecting the line, the line shall not be inserted on the protection plate to connect.

The wiring must be connected in order. If the wiring is wrong, the protection plate may burn and fail to work normally

6. After wiring is connected, if the total voltage of the measured battery is not equal to the output voltage of the protection, with a difference of more than 0.4V, it means wiring error. Read wiring steps carefully and recheck wiring.

Only when the total voltage of the battery is equal to the output voltage of the protection plate can it be connected correctly, and then it can be used for charging and discharging

7. The charger shall use the matching special charger for lithium battery. The charging voltage of lithium iron battery = battery string number *3.6V;

Polymer (ternary) battery charging voltage = battery string number *4.2V;

Do not use lead-acid chargers, street charging stations and chargers with high charging voltage. Chargers with unstable charging voltage will damage the protection plate, leading to over-charging and no protection

8. Do not connect the p-port to the negative electrode of the charger when there are P-port and C-port on the same port protection plate, otherwise there is no charging protection;

Charge and discharge cathode connected to C-,P- empty not connected.

9 different types of line arrangement, different number of line arrangement, the number of line arrangement needs to be connected in accordance with the order, the company issued a simple diagram to the customer, the same can be extended to other series number protection plate, must not be less line connection or wrong line arrangement.