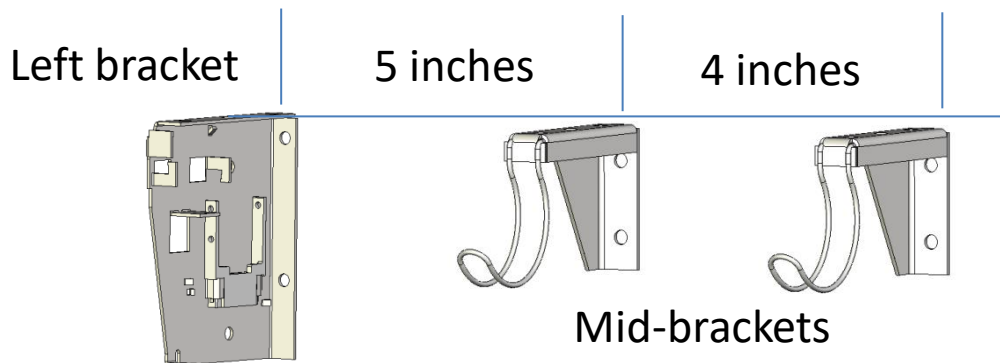
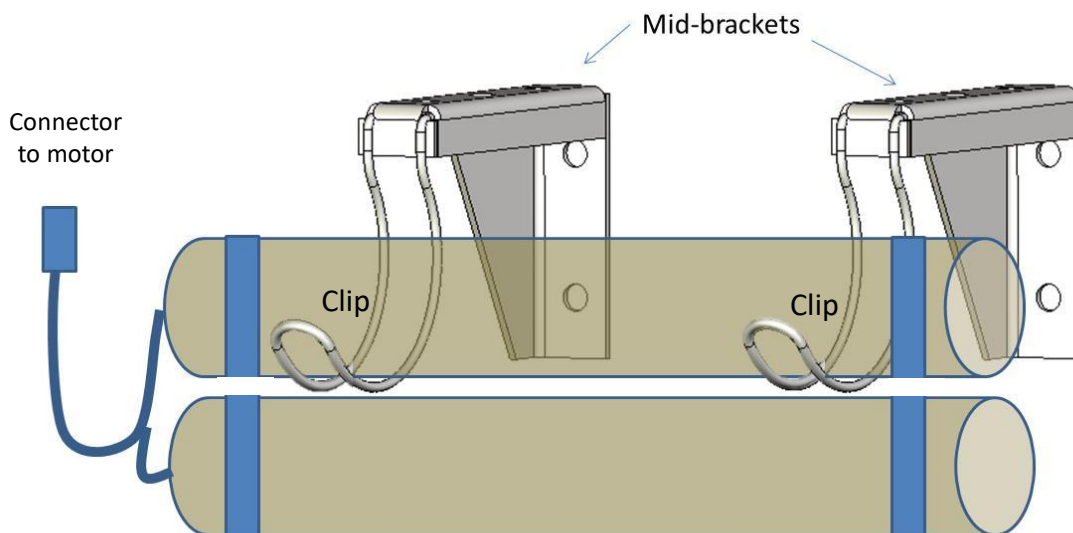


Short Power Pack - Installation (8 C size batteries – NOT included)

1. Install mid-brackets 4 inches from each other, level with each other, and 5 inches from Left Shade bracket so the Male plug can fit to the connector on the Left bracket



- Insert the clips BETWEEN the 2 tubes of batteries., as shown, to hold both tubes.
Plug the male connector into the motor, AFTER you install the roller shade.



IMPORTANT NOTE:

Ensure the wire clips are pushed ALL the way back into the mid-brackets, so that the battery pack hangs freely and does not touch the valance or any other part of the assembly.

Battery Replacement

Unclip each battery tube from its holder. Ensure the C size batteries are ALL in the same direction in each tube, with + (positive) end matched with the + on the battery holder, and - (negative) end matched with the - on the battery holder. The direction of batteries in each tube are opposite of each other.