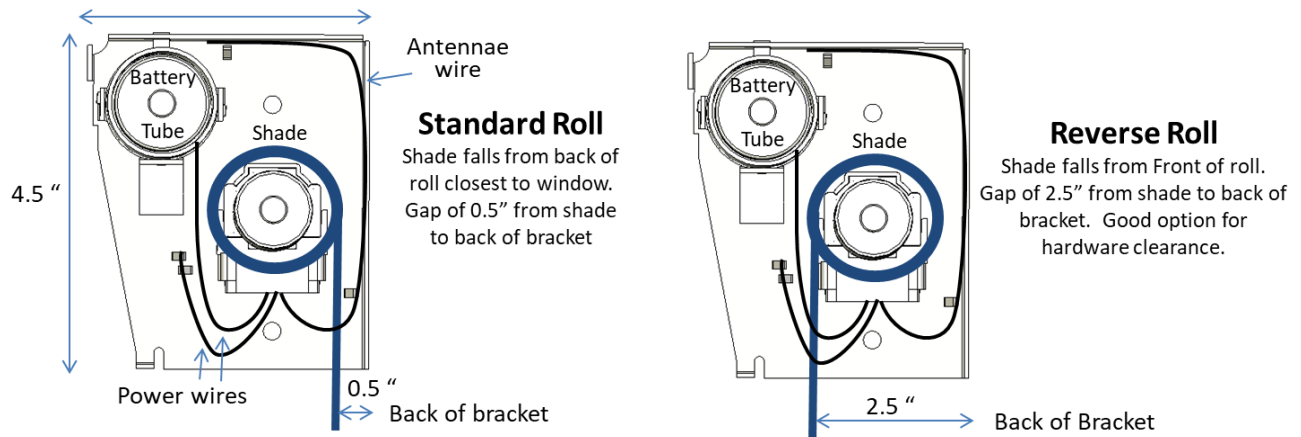


## Reverse roll process

Purpose: 'Reverse roll' refers to changing the fabric on the roll so the fabric falls from the FRONT of the roller, instead of the back of the roller ('Standard roll'). This provides additional clearance so the fabric does not interfere with obstructions, such as door or window hardware. This process is considered easy and requires no special tools.

This process avoids dismantling the shade, but requires 2 people and following specific technical instructions. A new user will need 10 minutes to complete this process. You will need 2 people to manage the process so the shade is not damaged.



**Before you start, ensure the shade is facing the correct way.** The hembar fabric at the front, bottom of the shade should be smooth – the hembar pocket is sealed on the back of the shade, and is rougher than the front. If the shade is not facing the correct way, dismount the shade, slide the motor out (pulls by hand), pull the idler out (use a pliers) and re-install on the opposite ends. Then remount the shade and check if the shade is rolled correctly (standard or reverse roll).

### To reverse roll your shade:

1. Start when the fabric stops at the bottom of its travel. Press the DOWN button on the remote several times – the fabric must not respond to additional DOWN commands.
2. Press the LEARN button on the back of the remote (requires paperclip to access the hole with the button in it). The shade will jog (brief up/down motion). You can then continue to lower the fabric to its very bottom, but someone must SUPPORT the fabric weight (clean hands!) as the shade moves past its lowest point, or the fabric can detach from the roller tube (held by 2-way tape at the top). Maintain support of the fabric weight while the shade starts rolling up the other side of the tube, STOPPING the shade when the fabric attachment point is in FRONT of the roller, facing the room (you will see the shade fabric and the unwrapped tube from the front). Use UP and DOWN commands to adjust the roller to the right point. STOP the shade. Press the LEARN button on the back of the remote. The shade will jog once.

3. The shade should still be attached to the roller tube, but you will see the fabric is overlapped on itself on the roller tube. While the shade fabric is supported, another person should finger press the fabric along its attachment point on the roller, flattening the fabric as much as possible (it will not be totally flat), and EVENLY across the roller tube. This will allow the fabric to roll up smoothly.
4. After the fabric is smoothed against the roller tube, press the LEARN button on the back of the remote. The shade will jog once. Press DOWN command so the shade moves upward, and let the shade travel to the top position you want. STOP the shade and adjust with UP and DOWN commands if needed. Then press the LEARN button, and the shade will jog, locking that position.
5. Lower the shade again, supporting the shade weight before at its bottom-most point (last foot from bottom), and let the shade re-roll to the top, stopping ON ITS OWN. Important that the shade has stopped on its own. Press the LEARN button, and the shade will jog. Now lower the shade, again around the bottom, supporting its weight, until the shade is on the other side at its desired low point of travel. Then press the LEARN button, and the shade will jog, locking that position.
6. The motor will now be reversed (UP moves down, and DOWN moves UP). To reverse the motor, press and hold the STOP button for ~5 seconds until the shade jogs. Then release the button, and press the DOWN button once. The shade will jog again. Finished!

If the shade is not rolling up evenly, you must lower the shade to its bottom (see above), SUPPORT its weight, and finger press down on the shade roller where the shade doubles back on itself. This 'roll-over' is sometimes not even, which causes shade rolling issues. Press and flatten that area along the entire tube. When flat, the shade will travel evenly.

**IMPORTANT** – If the shade starts traveling unevenly after initial reversing, **immediately** stop the shade, and follow the instructions above, or shade damage will occur. This will not be covered under the warranty.

An alternative way to reverse the shade is shown [here](#), though you have to unmount the shade and need ample space.