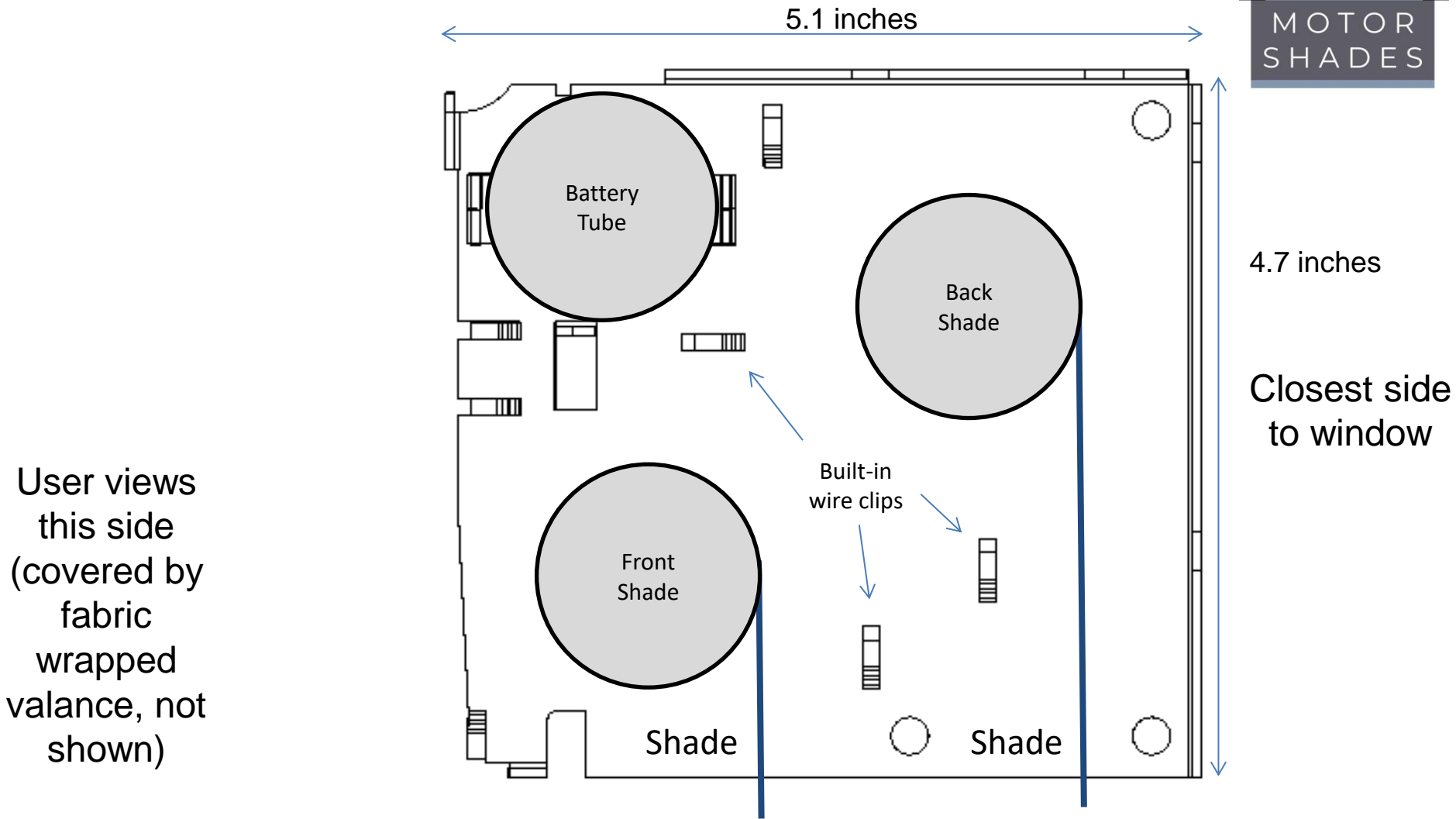


Dual Motor Shade – OPTION 1

with Valance and/or Battery Pack



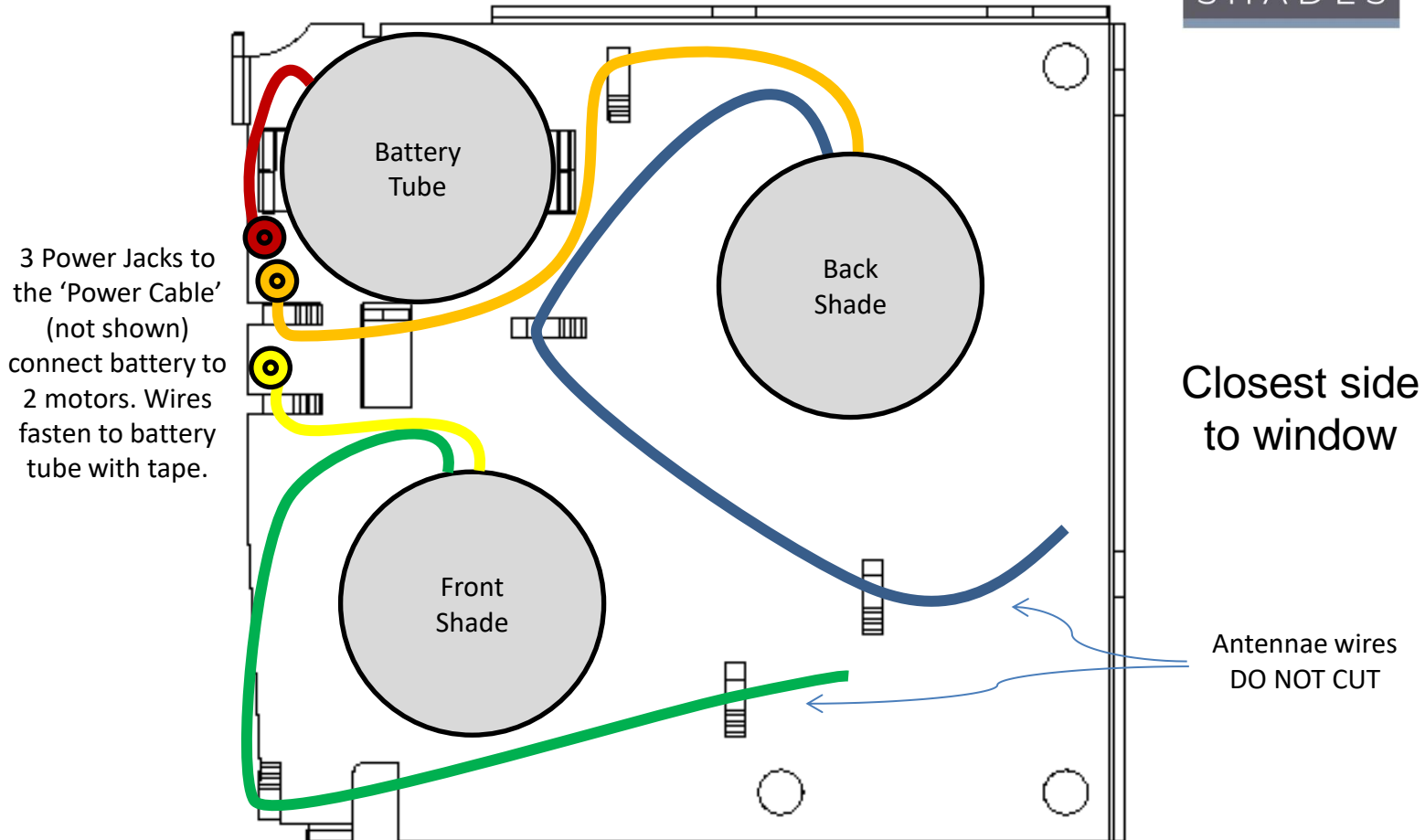
Some limitations dependent on width, height, and fabric type – please contact us

Power: Can be parallel hardwired –OR- with batteries (subject to width/ht limits)

Dual Motor Shade – OPTION 1

with Valance and/or Battery Pack

Wiring Tabs and Connections



3 Power Jacks to the 'Power Cable' (not shown) connect battery to 2 motors. Wires fasten to battery tube with tape.

User views this side (covered by fabric wrapped valance, not shown)

Closest side to window

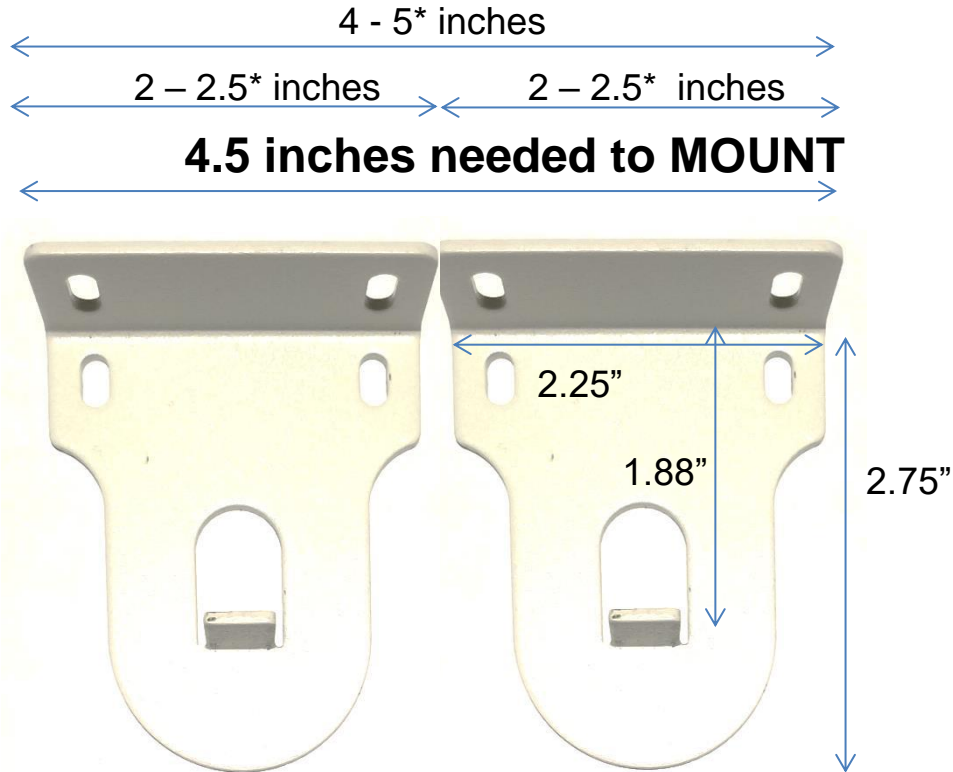
Antennae wires DO NOT CUT

Important: Wires must lead UPward, so program button can be accessed on bottom of motor head

While all Actual wires are WHITE, colors added for emphasis

Dual Motor Shade – OPTION 2

Hardwire WITHOUT Valance



* Depends on roll diameter, a function of fabric type and length – please contact us

Power: Hardwired ONLY