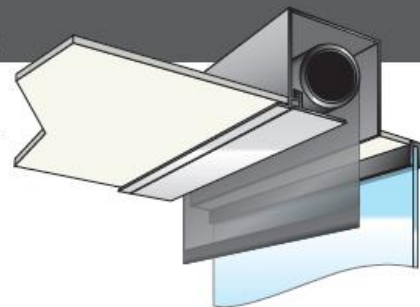


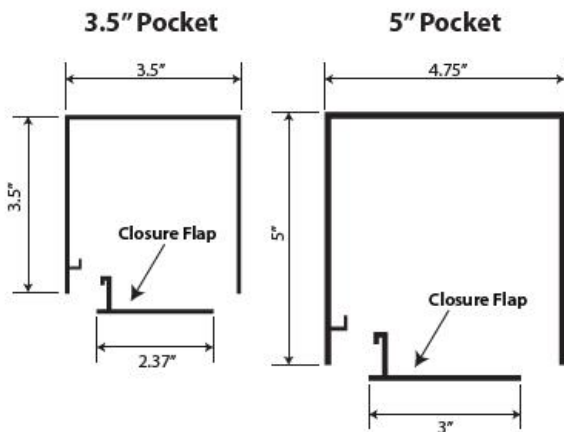


Recessed Systems

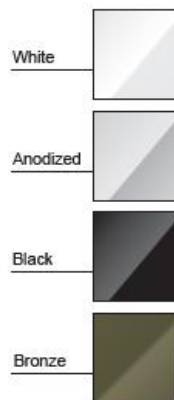
We offer hardware solutions that completely hide roller shades from view when retracted. These are recessed ceiling systems that integrate into site built soffits and ceiling grids.



3 Sided Pockets with Closure Flap



All extrusions available in:



Site Built Ceiling Soffit Closure Lip & Hanger

