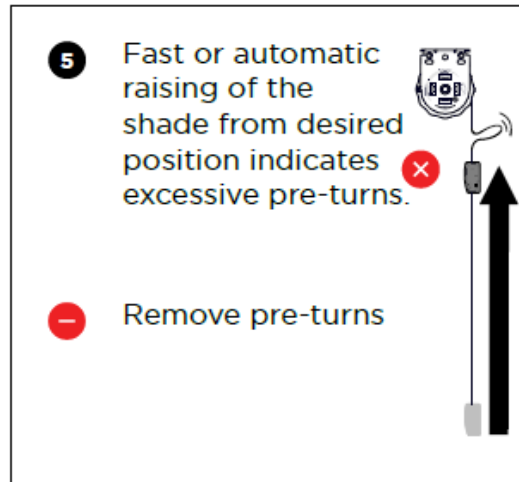
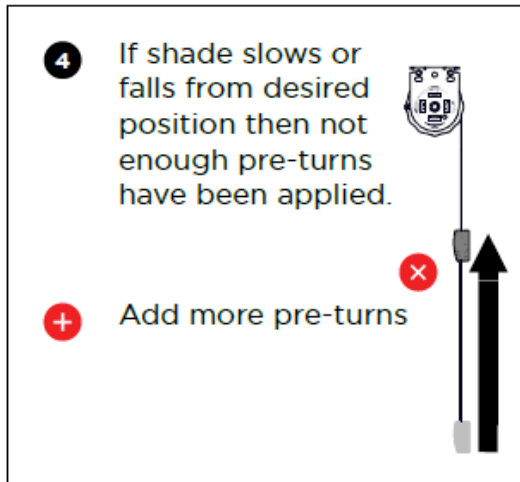
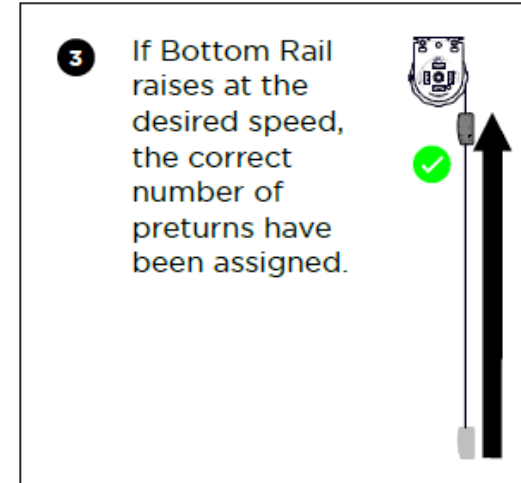
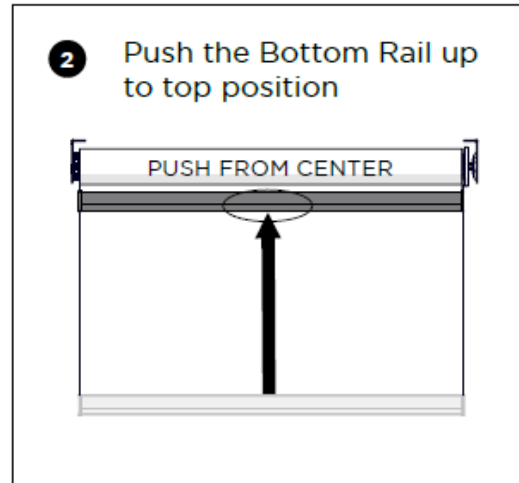
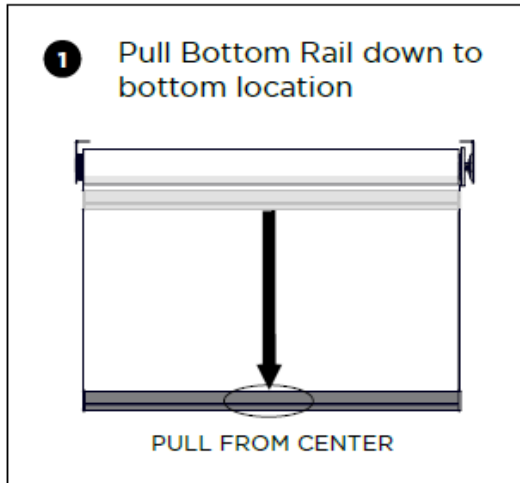


Adjusting Cordless Shade Tension

When properly adjusted, the shade will stay down at its lowest limit, and raise up when lifted by hand.

A spanner tool provided with every order - this is a wrench-like tool used to adjust shade tension - Instructions below.
If the shade has dismounted from the bracket and lost all its tension, please contact us.

CHECK FUNCTIONALITY OF PRE-TENSIONED SHADE



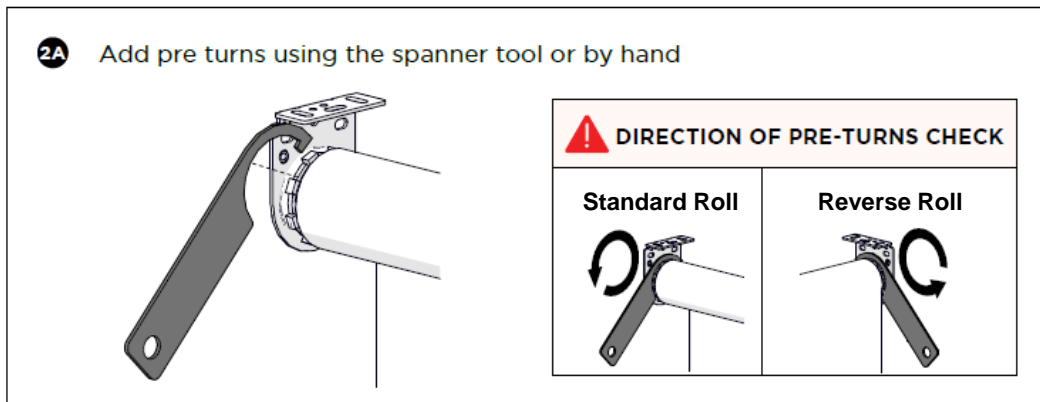
Adjusting Cordless Shade Tension

When properly adjusted, the shade will stay down at its lowest limit, and raise up when lifted by hand.

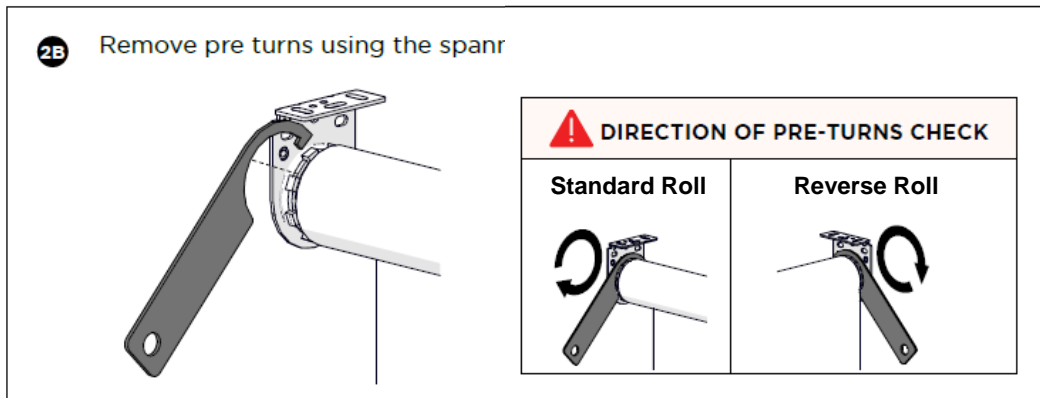
A spanner tool provided with every order - this is a wrench-like tool used to adjust shade tension - Instructions below.
If the shade has dismounted from the bracket and lost all its tension, please contact us.

ADD OR REMOVE PRE-TURNS

⊕ Add tension when the shade will not roll up when lifted by hand



⊖ Remove tension when the shade will not stay down



Test Limits

