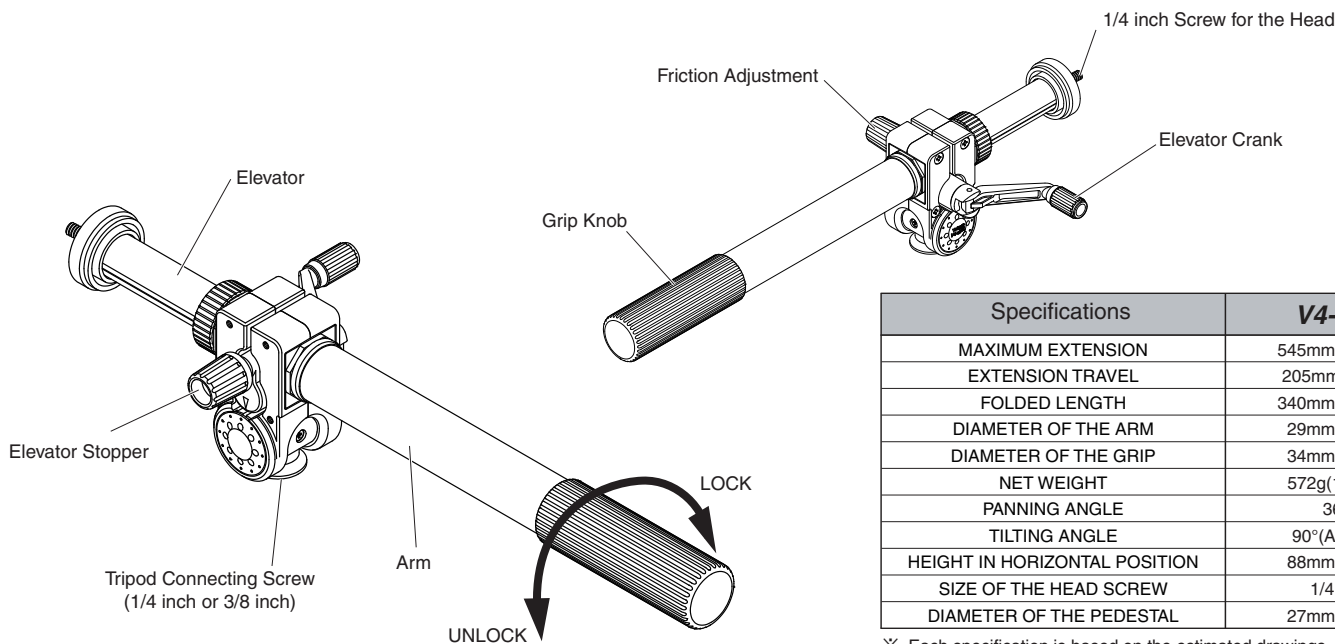


Individual part name

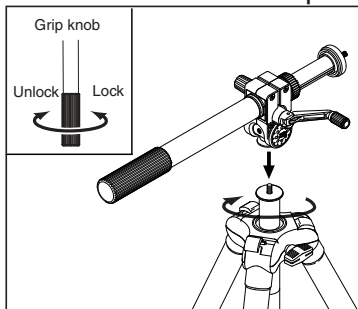
Thank you for choosing Velbon product. Please read this manual carefully before starting to use.



Specifications	V4-unit
MAXIMUM EXTENSION	545mm(21.46in)
EXTENSION TRAVEL	205mm(8.07in)
FOLDED LENGTH	340mm(13.39in)
DIAMETER OF THE ARM	29mm(1.13in)
DIAMETER OF THE GRIP	34mm(1.33in)
NET WEIGHT	572g(1.26lbs)
PANNING ANGLE	360°
TILTING ANGLE	90°(Approx.)
HEIGHT IN HORIZONTAL POSITION	88mm(3.46in)
SIZE OF THE HEAD SCREW	1/4 inch
DIAMETER OF THE PEDESTAL	27mm(1.06in)

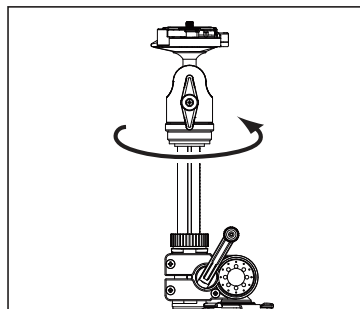
※ Each specification is based on the estimated drawings. It may change depending on the actual parts assembled.

1.How to attach the Tripod



Place the V4-unit to the tripod screw as seen above. Rotate to the clockwise direction to install. In case the tripod screw has 3/8 inch, please remove the screw from the Pedestal of V4-unit to the 3/8 inch.

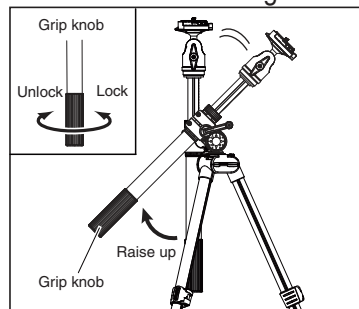
2.How to attach the Head



Install the Head to the top of V4 unit and rotate to Anti-clockwise direction to fix. Make sure locking tightly on the Pedestal.

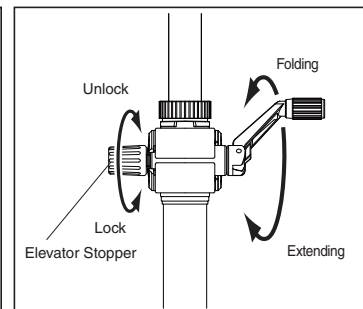
※ Screw size UNC 1/4 inch.

3.How to use Multi Angle Arm



Rotating the Grip Knob to the Clockwise direction to unlock, then the Arm will move 360 degree freely. After determining the angle of the Arm, lock by rotating the Grip Knob to Anti-clockwise for locking. Grasp the grip firmly and ensure to lock.

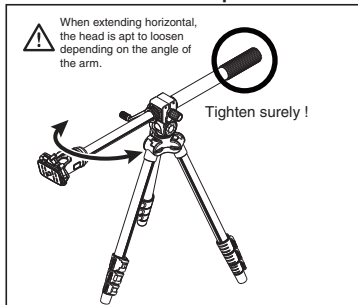
4.How to extend the Elevator



Releasing the Elevator Stopper, then rotate the Elevator Crank to extend the Elevator smoothly. When the extension is determined, please lock the Elevator Stopper tightly.

⚠ Caution: Hold your camera body while operating elevator up/down carefully.

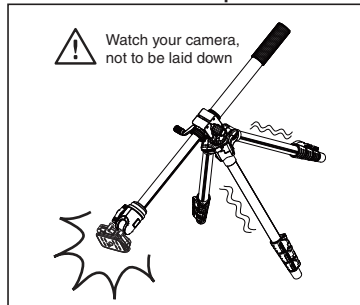
5-1.Caution to operate



In the positioning to horizontal way, the center part of the Elevator may come to Loosen. So make sure locking the Grip Knob firmly. Tighten all the stoppers on the head and tripod surely.

⚠ Caution: The longer Elevator extending, the easier to be loosen the tension of the Stopper or Grip Knob. Please grasp the Grip knob to hold tightly.

5-2.Caution to operate



In case of setting whole unit including the camera, lens and tripod with even deeper angle of the Elevator extending, be careful to be laid down by losing the balance. Hold the Grip Knob tightly or hold the tripod leg until the balance become steady.

⚠ Caution: Be aware that it becomes easier to be laid down when the Elevator extends to the horizontal way. Please keep holding tripod or camera in well supported condition.

Cautions:

1. Do not attempt to put the heavier camera on the Arm because it may become overhead and may cause laying down whole unit.
2. Geared Elevator must be stopped tightly by locking Elevator Stopper.
3. Do not look up to the sunshine through the lens directly, which may cause damaging your eyes if the Multi Arm is used for observing purpose of the Sun etc.
4. Choose the right head thinking of the balance with the tripod and the Arm and your camera.