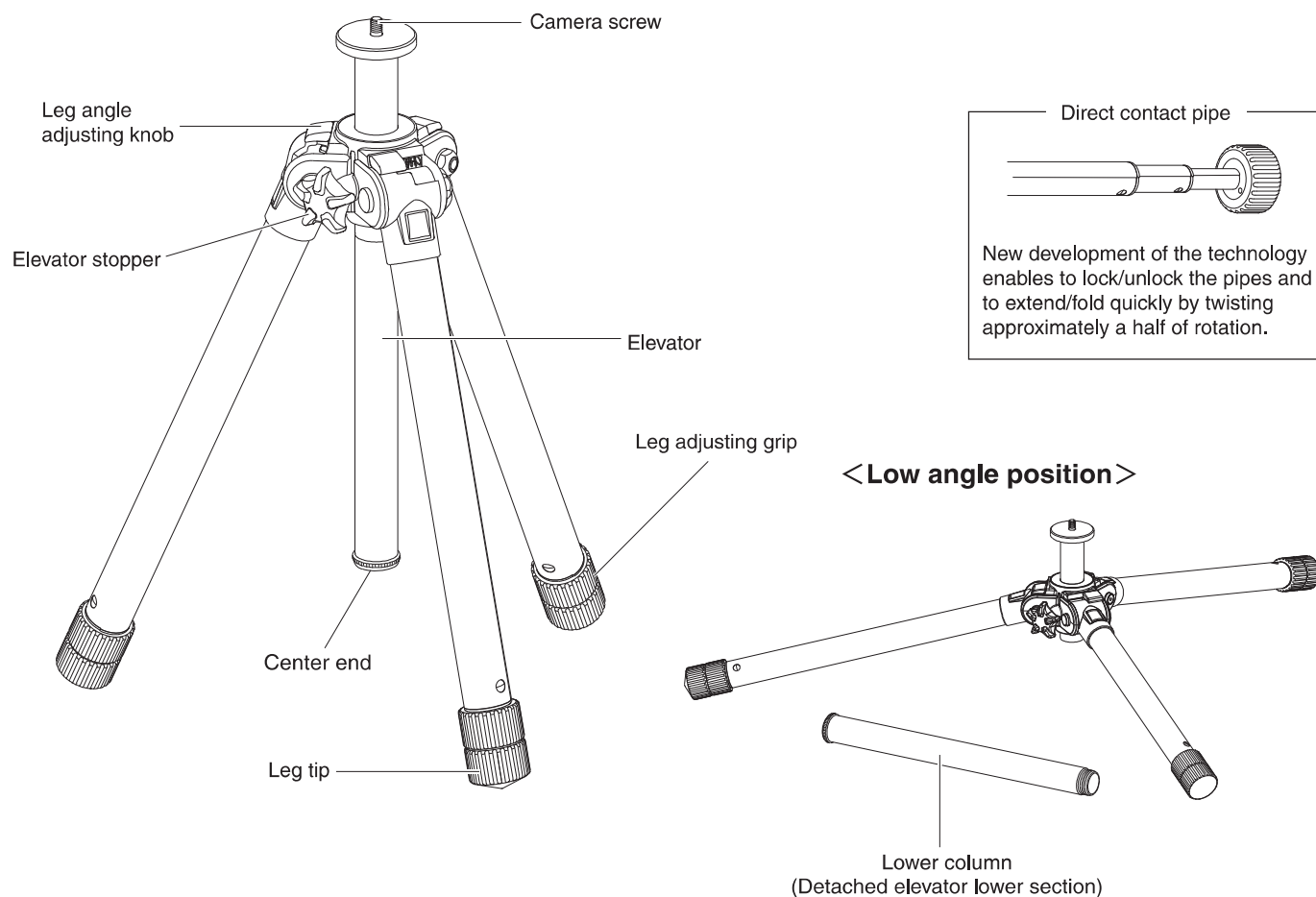


**Identification of main parts**

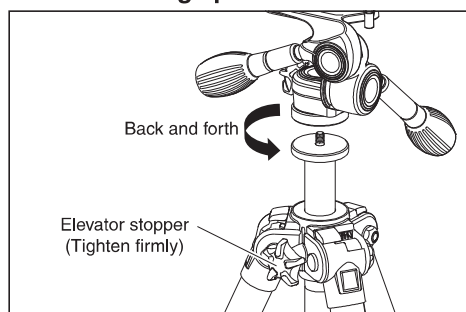
Thank you very much for choosing Velbon Tripod.  
Please carefully read this manual before starting use so that you can handle this product correctly.



※ The manufacturer reserves the right to change specification, design, and size without prior notice.

SPECIFICATIONS	ULTRA 655(A)	ULTRA 555(A)
Full extended height(Inc. EV)	1563mm	1558mm
	60.47inch.	61.34inch.
Extended height(Excl. EV)	1288mm	1312mm
	50.71inch.	51.65inch.
Elevator slide	248mm	246mm
	9.76inch.	9.69inch.
Minimum height	124mm	132mm
	4.88inch.	5.20inch.
Folded length	372mm	370mm
	14.65inch.	14.57inch.
Leg diameters	30/27/24/21/18.2mm	27/24/21/18.2/15.4mm
	1.18/1.08/0.94/0.83/0.72inch.	1.08/0.94/0.83/0.72/0.61inch.
Number of section	5	5
Weight	1480g	1307g
	3.26lbs.	2.88lbs.
Suggested loading weight	3000g	2500g
	6.61lbs.	5.51lbs.

## 1.How to change panhead

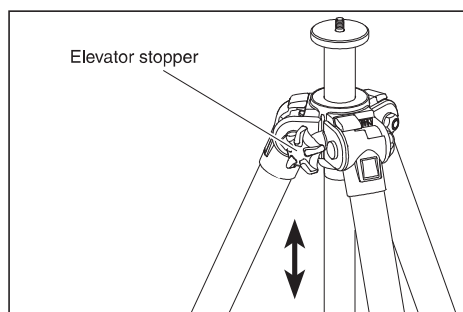


When changing panhead, tighten all the stoppers such as Panning handle, Side tilting handle, Panning stopper and Elevator stopper firmly.

Then turn the whole panhead anti-clockwise and detach it from tripod. Other panheads such as ball socket head can be set up.

※ Tripod screw socket=UNIC1/4

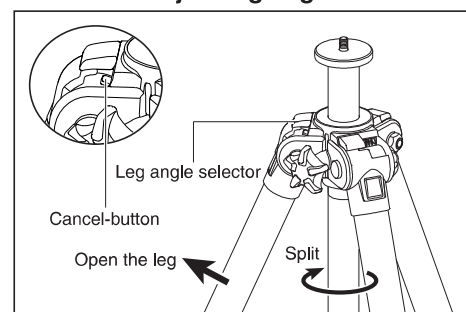
## 2.How to use Elevator



Loosening Elevator stopper enables Elevator to go up and down. When the desired position is found, tighten Elevator stopper.

⚠ While operating Elevator, make sure to hold your camera securely.

## 3-1.How to adjust leg angle



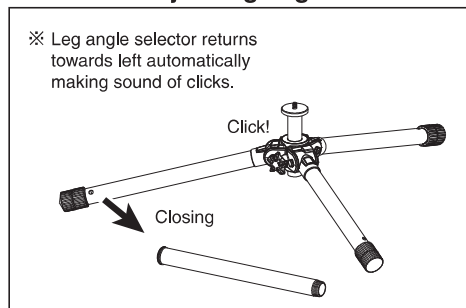
While closing legs, slide Leg angle selector towards right completely until you hear click sound.

Then opening legs fully realizes low-position. While Elevator stopper is tightened, turn lower part of Elevator anti-clockwise.

Then Elevator is divided in two parts.

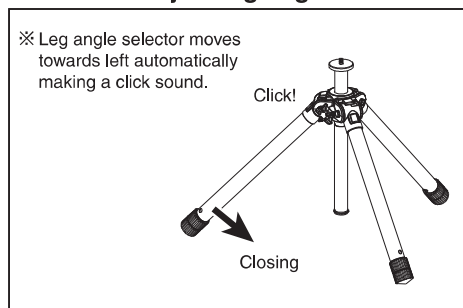
※ When Leg angle selector is slid by mistake, push down cancel-button. Leg angle selector returns to original position.

## 3-2.How to adjust leg angle



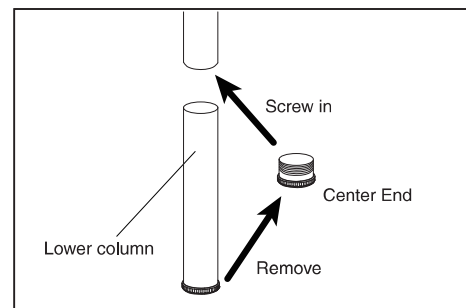
While closing leg slowly whose position is low-position (shown as above picture), Leg angle selector slides towards left automatically making a click sound. This position is semi low-position.

## 3-3.How to adjust leg angle



If closing leg further, Leg angle selector slides automatically making a click sound. This makes standard position.

## 4.Lower column

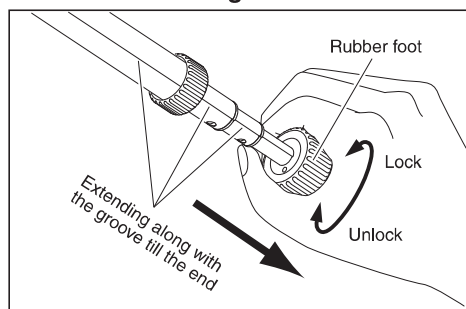


Lower part of Elevator which is divided is called Lower column.

Remove Center end by turning anti-clockwise and screw it into the part divided. This prevents dirt and so on.

⚠ Do not lose removed Lower column.

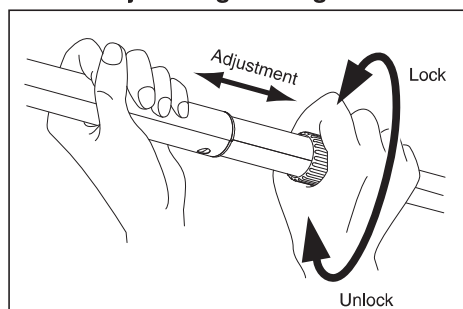
## 5.How to extend leg and lock



Hold Rubber foot tightly and rotate it towards unlock direction and feel 4 clicks. This means that each leg section becomes loosen.

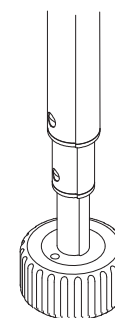
Extend legs till the end and twist them towards lock direction firmly. When closing legs, do this procedure in reverse order.

## How to adjust length of leg



In order to adjust length of leg, hold Adjustment grip of second leg and unlock by rotating it anti-clockwise. Then extend leg and find desired length.

Then lock it by rotating leg by clockwise firmly.



⚠ When holding Rubber foot, do not soil your hands. Do not pinch your fingers and hands between Rubber foot and legs. When setting up your equipments on tripod, make sure that strength of leg-locking is good enough by suppressing from top of the tripod.