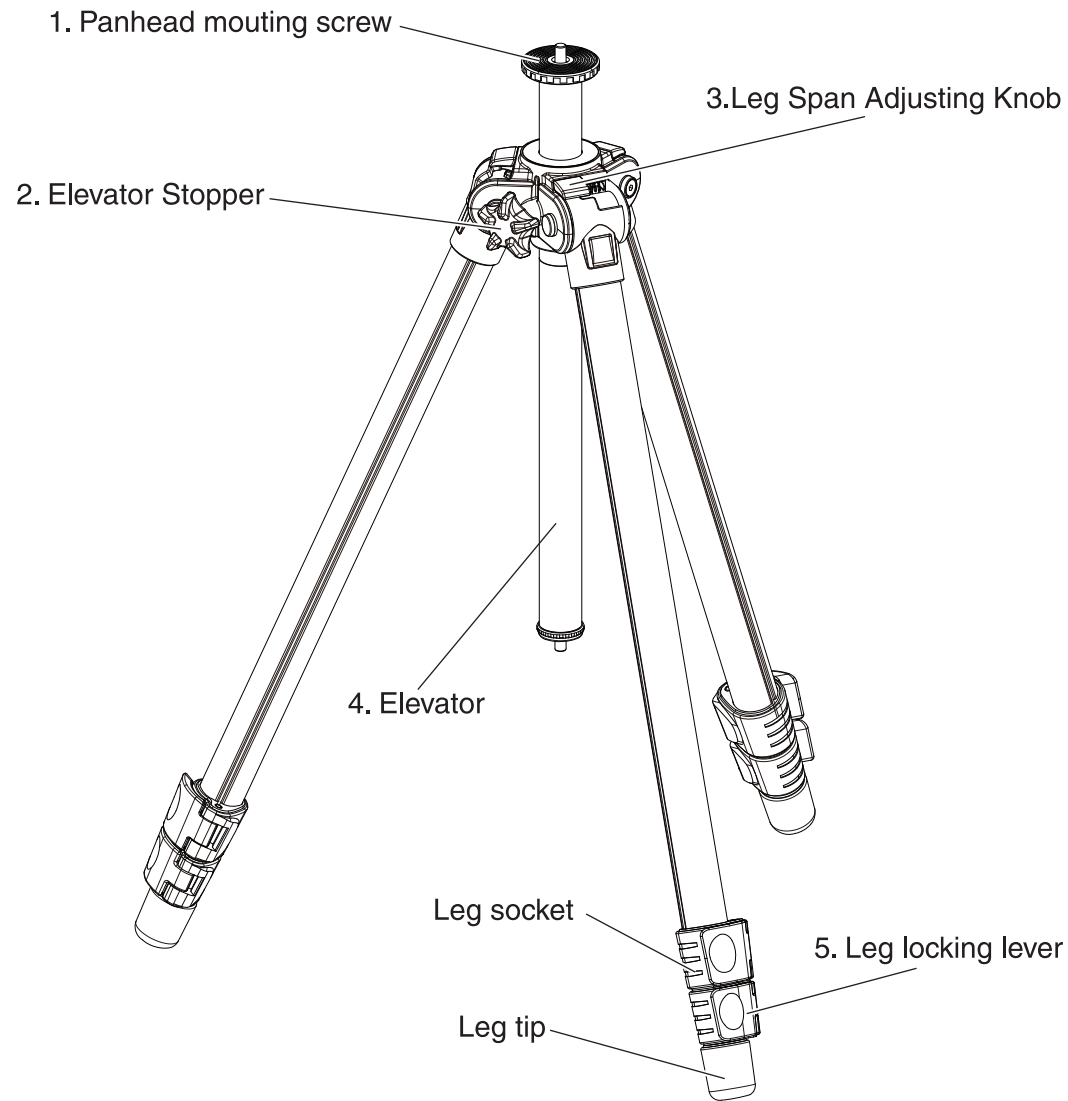
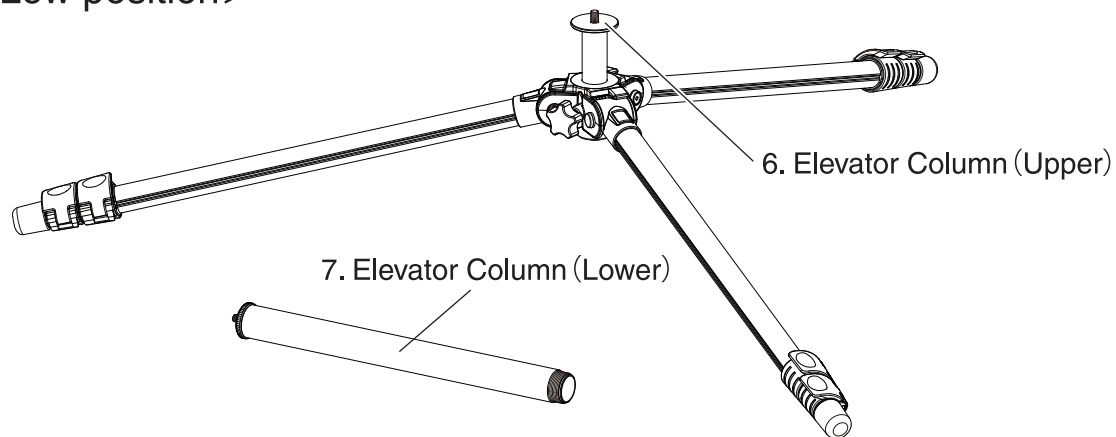


Name of Parts



<Low position>



Features and How to use

Thank you for choosing Velbon products.  
This manual is for your guide what the features are and how to use correctly  
Please read this manual carefully before starting to use.

1. Tripod screw for head is 1/4 inch only. In case of using 3/8 inch Screw socket of the head, please use adapter screw for step-up. When installing head, rotating to the Clockwise direction till it comes to fix firmly.
2. Elevator Stopper Knob is for locking the Elevator column at the desired position. When removing the head from the tripod, please Lock the Elevator Stopper firmly.
3. Leg Span Adjusting Knob enables to adjust leg angle positions from Standard, Semi-Low and Full Low position by sliding 2 steps. After opening to full Low Position, stepping back to each position one by one, when the leg angle back to Standard position automatically.
4. At the end of Elevator Column, there is 1/4 inch screw to attach the head to take pictures underneath of the tripod, like a macro photography. If you attach Hook, you can hang on the camera bag to give the weight to have more stability of the tripod.
5. Lever locking devices are 2 or 3 depending on the leg sections. Fast and comfortable Locking Levers. Make sure locking firmly before installing your camera on the tripod.
6. Elevator column is detachable to have the Lowest Position. Both Sherpa 4000 and 5000 have the same function at the Elevator Column.
7. After detaching the Lower Column, tripod can be the Lowest position for the Macro Photography. Do not lose the lower column.

Specifications

	<i>Sherpa 4350D</i>	<i>Sherpa 4370D</i>	<i>Sherpa 4430D</i>	<i>Sherpa 5350D</i>	<i>Sherpa 5370D</i>	<i>Sherpa 5430D</i>	<i>Sherpa 5470D</i>
Pan Head	PH-G40D	PH-157Q	QHD-43D	PH-G50D	PH-157Q	QHD-53D	PH-157Q
Full.Extend	1610mm (63.39in.)	1633mm (64.29in.)	1519mm (59.80in.)	1698mm (66.85in.)	1700mm (66.93in.)	1570mm (61.81in.)	1576mm (62.05in.)
EV slide	317mm (12.48in.)	317mm (12.48in.)	248mm (9.76in.)	345mm (13.58in.)	345mm (13.58in.)	260mm (10.24in.)	260mm (10.24in.)
Mini. Height	242mm (9.53in.)	258mm (10.16in.)	222mm (8.74in.)	280mm (11.02in.)	282mm (11.10in.)	249mm (9.80in.)	255mm (10.04in.)
Folded Length	585mm (23.03in.)	603mm (23.74in.)	475mm (18.70in.)	620mm (24.41in.)	630mm (24.80in.)	510mm (20.08in.)	524mm (20.63in.)
Diameter of pipe	23/20/17.2mm (0.91/0.79/0.68in.)	23/20/17.2mm (0.91/0.79/0.68in.)	23/20/17.2/14.4mm (0.91/0.79/0.68/0.57in.)	26/23/20mm (1.02/0.91/0.79in.)	26/23/20mm (1.02/0.91/0.79in.)	26/23/20/17.2mm (1.02/0.91/0.79/0.68in.)	26/23/20/17.2mm (1.02/0.91/0.79/0.68in.)
Section	3	3	4	3	3	4	4
Weight	1514g (3.34lbs.)	1565g (3.45lbs.)	1299g (2.86lbs.)	1926g (4.25lbs.)	1961g (4.32lbs.)	1633g (3.60lbs.)	1961g (4.32lbs.)
Suggested Loading Weight	3000g (6.61lbs.)	3000g (6.61lbs.)	3000g (6.61lbs.)	4000g (8.82lbs.)	4000g (8.82lbs.)	4000g (8.82lbs.)	4000g (8.82lbs.)

※Please do not attempt to use too heavy equipment on the tripod, even though Maximum loading weight is larger than that of Suggested Loading weight.