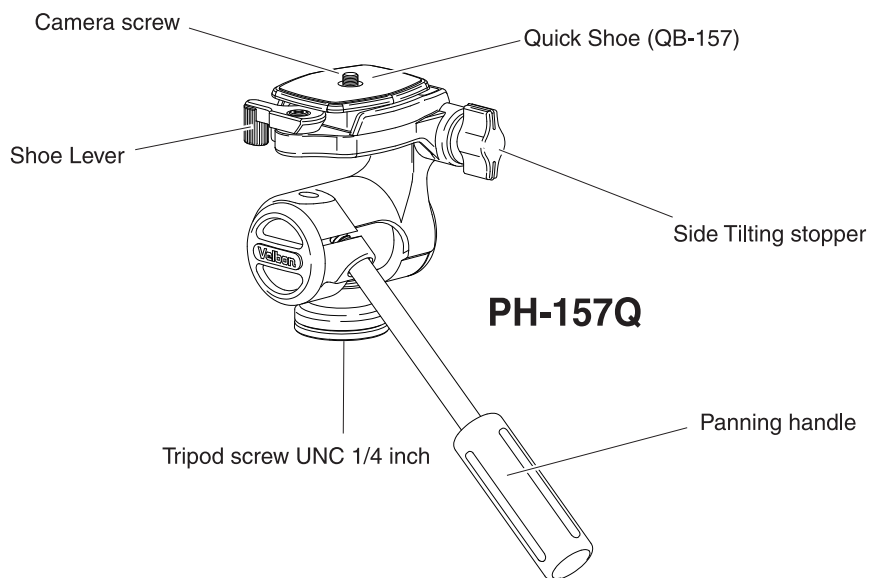


INDIVIDUAL PART NAME

Thank you very much for choosing Velbon head.
Please read this manual carefully before you start to use.



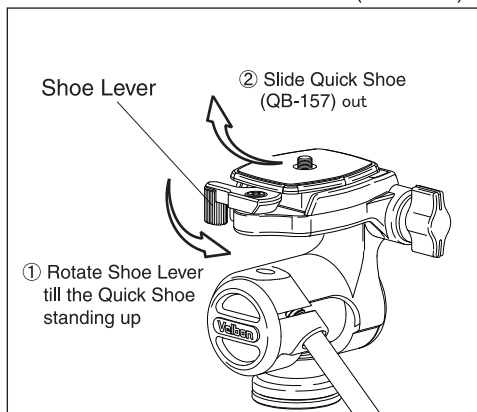
※Specifications are subject to change without notice

Specifications

| | PH-157Q |
|--------------------------|------------|
| Camera Plate | 55×35mm |
| Height | 105mm |
| Pedestal diameter | 40mm |
| Weight | 570g |
| Tripod screw size | UNC1/4inch |
| Suggested loading weight | 2000g |

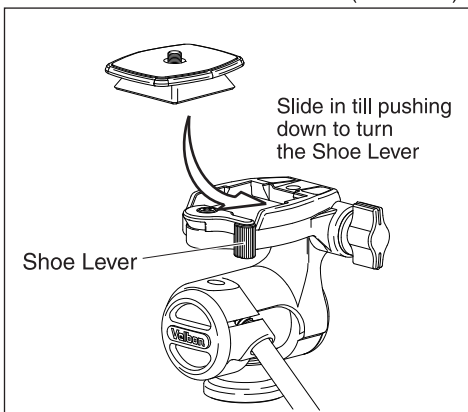
※Above data is for the average number
※Individual item may have a little different specification

1-1.How to attach camera (PH-157Q)



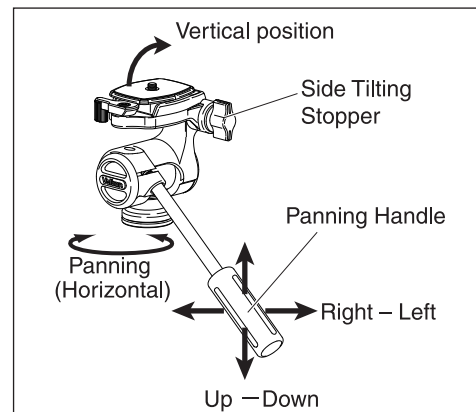
Rotate Shoe Lever until the Quick Shoe raises up automatically. Slide it out from the head then attach to the bottom of camera body. Then screw in carefully and tighten with a camera firmly.

1-2.How to attach camera (PH-157Q)



Keep the Shoe Lever unlocked, then sliding camera with the Quick Shoe in to the head, then automatically Shoe Lever is locking the Quick Shoe to hold. Please add locking tension by rotating Shoe Lever for sure, like double check.

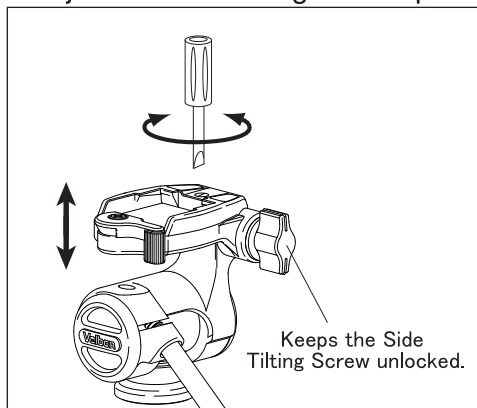
2.How to use the head



Release the Panning handle, and head turns to Up-Down also Right Left. Release Side Tilting Stopper, then camera plate turns to 90 degree for Vertical position. When the framing is decided, lock each stopper tightly for shooting.

⚠ Hold your camera surely while you operate quick release to attach then locate onto the head.

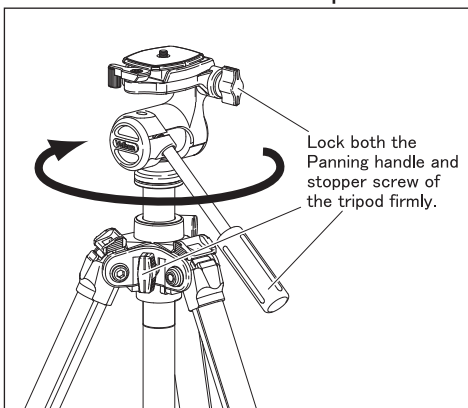
3.Adjustment of the angle of the plate



Rotate the screw as seen in the drawing, Camera plate moves slightly up or down.

※Minus -shape screw driver is not contained with.
※Do not attempt to loose too much

4.How to attach to the tripod



In order to connect to the tripod, lock all the screw on the head and tripod body firmly. Ensure the tripod screw attaching to the tripod, then rotate head toward Clockwise direction until it stops and locked.

※adjusting screw size of the tripod UNC 1/4 inch