
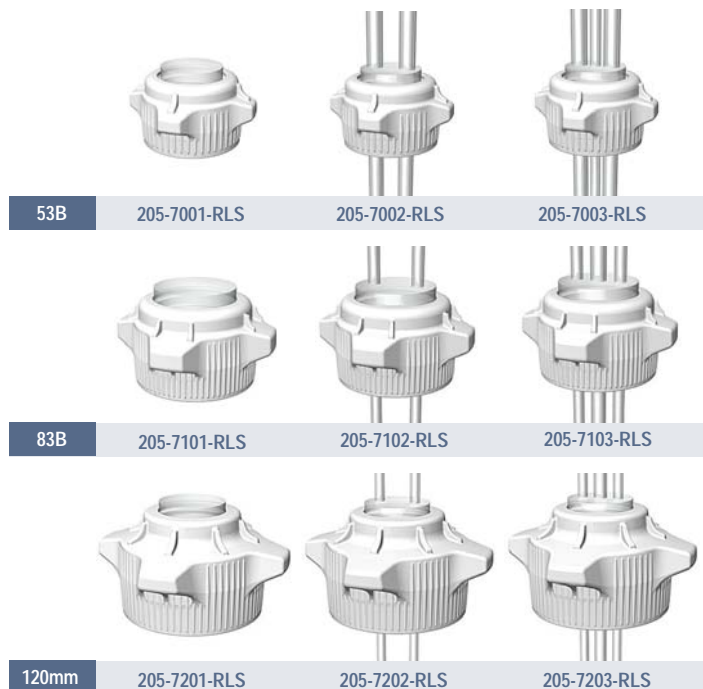


- Customizable to meet your specific application requirements
- Eliminate pouring of high valued products through this leak proof aseptic system
- Flexible system is designed with closures that fit bottles or carboys with 53B, 83B, and 120 mm closures
- High purity platinum cured silicone insert with or without tubing
- Patented polypropylene **VersaCap®** closures
- Accept additional fluid transfer components such as aseptic connectors and air vent filters
- All components are autoclavable
- **Made in the USA** 

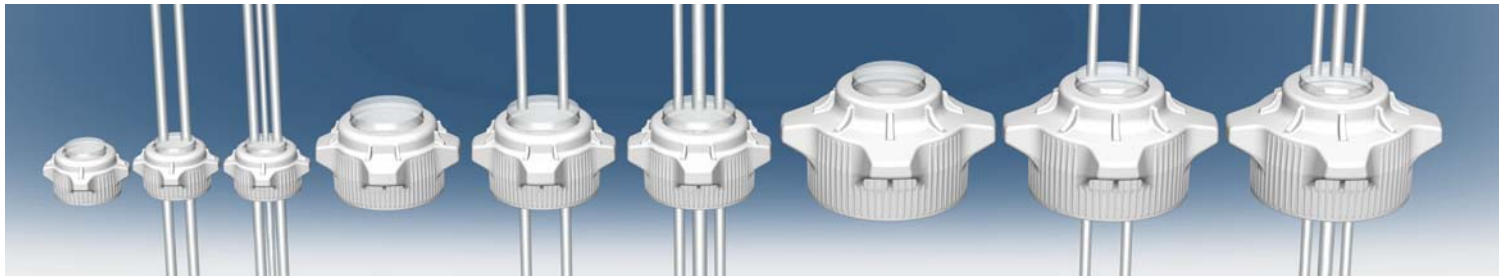
Foxx Life Sciences' **VersaCap® EZ Top®** Systems are aseptic handling solutions for high purity fluids and sensitive biologicals in pharmaceutical, biotechnology, and laboratory liquid transfer applications. Customize your new Foxx Life Sciences' **EZgrip™** carboys and HD Bottles, or existing plastic carboys and bottles for aseptic fluid transfer, sampling, or sealing.



ISO 9001  
ISO 13485

- 1 Platinum Cured silicone
- 2 Single piece construction
- 3 **VersaCap®** technology





Item Number	Description	VersaCap® Size	Number of Ports	Tubing Diameter	Tubing Length	Pack Size
205-7001-RLS	53B Open VersaCap® with Closed EZ Top®	53B	Solid Insert	n/a	n/a	1
205-7002-RLS	53B Open VersaCap® with EZ Top® Fluid Transfer System	53B	2	2-1/4" (6.35mm)	12"	1
205-7003-RLS	53B Open VersaCap® with EZ Top® Fluid Transfer System	53B	2	1-1/8" (3.18mm), 2-1/4" (6.35mm)	12"	1
205-7101-RLS	83B Open VersaCap® with Closed EZ Top®	83B	Solid Insert	n/a	n/a	1
205-7102-RLS	83B Open VersaCap® with EZ Top® Fluid Transfer System	83B	2	2-1/4" (6.35mm)	27"	1
205-7103-RLS	83B Open VersaCap® with EZ Top® Fluid Transfer System	83B	2	1-3/8" (9.52mm) 2-1/4" (6.35mm)	27"	1
205-7201-RLS	120mm Open VersaCap® with Closed EZ Top®	120mm	Solid Insert	n/a	n/a	1
205-7202-RLS	120mm Open VersaCap® with EZ Top® Fluid Transfer System	120mm	2	2-1/4" (6.35mm)	37"	1
205-7203-RLS	120mm Open VersaCap® with EZ Top® Fluid Transfer System	120mm	2	1-3/8" (9.52mm), 2-1/4" (6.35mm)	37"	1

\*EZ Top® is a registered trademark of Saint-Gobain Performance Plastics

