

## 1. Before starting

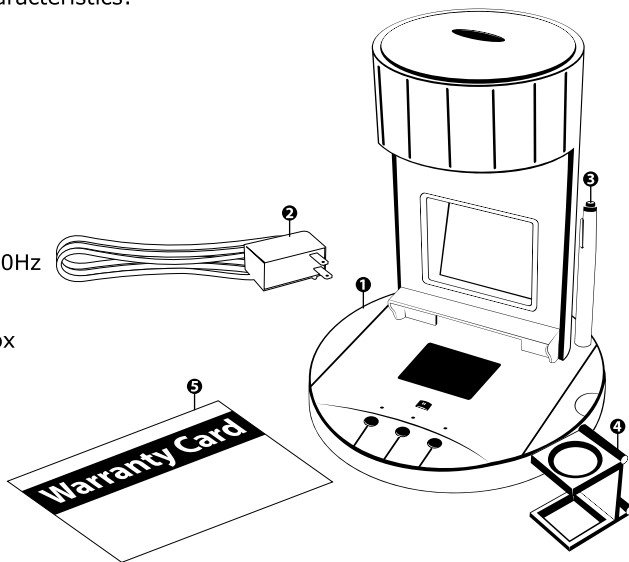
Counterfeit money is a ubiquitous problem. Found everywhere moneys exist, it reminds us of a reality we cannot avoid. So, when we designed the **D-200 The Tower**, we gave ourselves a challenge: to create a counterfeit money detector for almost any money in the world. The result of our research is the **D-200 The Tower**, and these are its characteristics:

### Standard Features:

- Infrared camera with 4" B&W monitor
- UV detection device
- Fluorescent tube for watermark verification
- "MG" (magnetic) head detector
- Micro printing magnifier
- Chemical pen
- Operates with an included 110-220V - 50/60Hz AC/DC adapter

We recommend the user to verify that the box contains all of the items listed here:

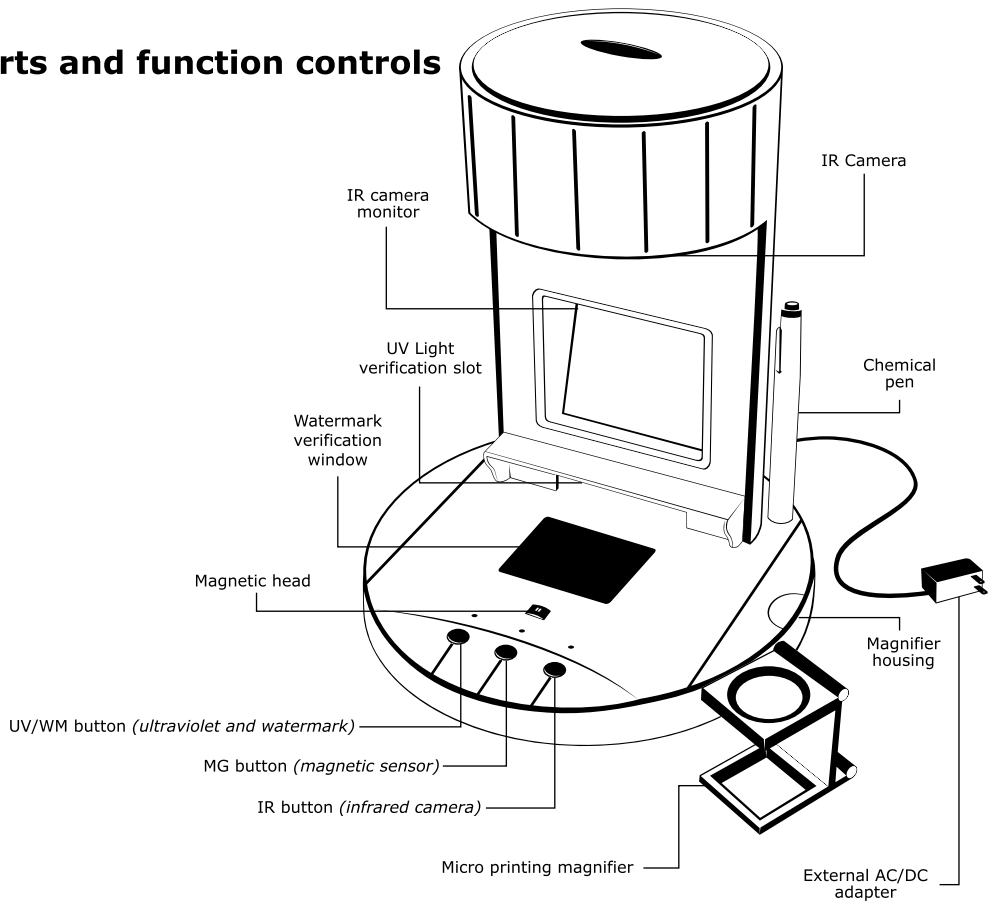
- 1 D-200 The Tower unit
- 2 110-220V - 50/60Hz AC/DC adapter
- 3 Chemical pen detector
- 4 Micro printing magnifier
- 5 Warranty Card



## 2. Important Safety Instructions

- ▶ Read and understand all of the instructions.
- ▶ Follow all warnings and instructions marked on the unit.
- ▶ This product should be operated only from the type of power source indicated in the user's guide. If you are not sure of the type of power supply in your location, consult your dealer or local power company.
- ▶ Only use the AC/DC adapter provided with the unit. The use of other AC/DC adapters may result in electric shock, fire or cause serious damage to the unit.
- ▶ Never push objects of any kind into the unit through case slots, since they may touch dangerous voltage points or shortcut parts, resulting in a risk of fire or electric shock.
- ▶ Unplug this product from the wall outlet and refer servicing to qualified service personnel under the following conditions:
  - When the power supply cord or plug is damaged or frayed.
  - If liquid has been spilled into the unit.
  - If the unit has been exposed to rain or water.
  - If the product shows a noticeable change in performance.
- ▶ Do not use this product in areas where it may be exposed to water or other liquids.
- ▶ Unplug this product from the wall outlet before cleaning. Do not use liquid cleaners or aerosol cleaners. Use a damp cloth for cleaning.
- ▶ To reduce the risk of electric shock, do not disassemble this product. Take it to qualified service personnel when service or repair work is required. Opening or removing covers may expose you to dangerous voltages or other risks. Incorrect re-assembly can cause electric shock when the appliance is subsequently used.
- ▶ Do not operate the unit in areas with high temperature or high humidity since it may prevent it from working correctly.
- ▶ Do not use the unit if the power cord is damaged or if the plug socket contact is loose. Not following these instructions may result in electric shock, fire or other hazards.
- ▶ When not using the unit for a long period of time, remove the power plug from the wall outlet.

### 3. Parts and function controls



## 4. Functions

**About the bills:** *Not all currencies in the market have infrared, ultraviolet, watermark, magnetic, special paper or micro printing features. First of all, make sure that the type of bill you want to analyze has the feature that you want to verify.*

**The best chance you have of detecting counterfeit bills is by knowing your currency. Each country, on issuing their currency, publicizes the security features present on it, so that the general public can verify that they have a genuine article.**

### Infrared Detection Function (IR)

Connect the adapter to the unit. Once connected to the unit, connect the adapter plug to a power outlet.

Place the bill to analyze in the frontal aperture (see figure 1).

Activate the "IR" button located in the function console (see figure 2). The monitor will take a few seconds to be fully operational.

Visually, verify that the IR features hidden in the analyzed bill are revealed in the image shown in the 4" B&W monitor.

### Ultraviolet Detection Function (UV)

Place the bill to analyze in the frontal slot (see figure 3).

Activate the "UV" button located in the function console (see figure 4).

Visually, verify that the UV features embedded in the analyzed bill fluoresce under the UV light.

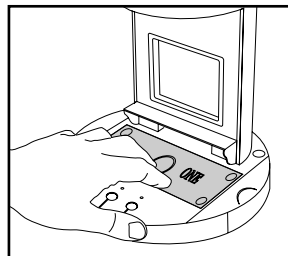


Figure 1

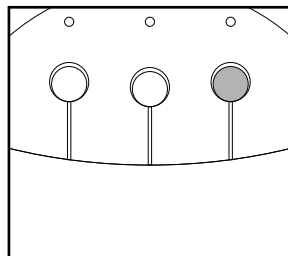


Figure 2

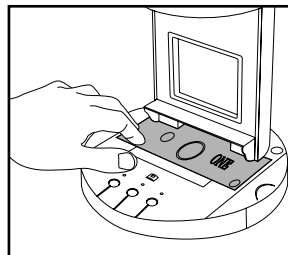


Figure 3

## Watermark Verification Function

Press the “WM” (watermark) button twice to activate the function (see figure 5). The same button controls the UV function.

Place the bill to analyze over the watermark verification window (see figure 6).

Verify that a watermark is present in the analyzed bill.

## Magnetic Detection Function (MG)

Activate the “MG” (magnetic) detection button located in the function console (see figure 7).

Rub the area of the bill that contains magnetic ink against the magnetic head located on the analyzing console (see figure 8).

If an alarm goes off when rubbing the bill, this means that it contains magnetic ink. If an alarm does not go off when rubbing the bill, this is an indication that the bill may not have magnetic ink, a common characteristic of counterfeit bills.

## Chemical Pen Verification

Locate the chemical pen supplied with the unit and use it to make a mark on the bill(see figure 9). The coloration of the mark left by the pen on the paper will give the user a hint about the legitimacy of the bill. For example, when analyzing U.S. dollars, you will note that the coloration left in the paper by the pen is of a yellowish color when applied to legitimate bills.

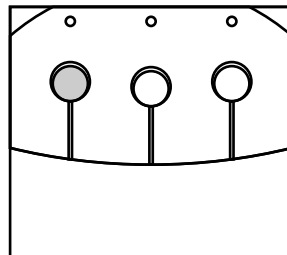


Figure 4

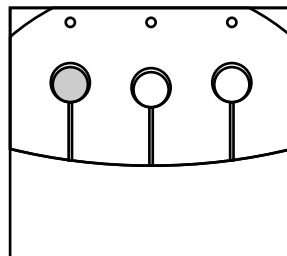


Figure 5

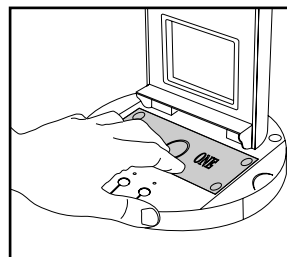


Figure 6

## Micro Printing Magnifier Verification

Use the supplied magnifier to analyze the micro printing and fine lines present in many world currencies. This feature is hard for the counterfeiters to imitate, and may be a telltale mark for a counterfeit bill.

### **NOTE:**

*For written warranties, refer to the Warranty Card included in the box.*

***The D-200 The Tower is the most complete instrument available in the market to verify the legitimacy of bills, credit cards, traveler's checks, and other special documents. However, the D-200 The Tower, like all other detectors in the market, cannot guarantee the legitimacy of any bill analyzed by it due to the unpredictable techniques or advances that counterfeiters may introduce.***

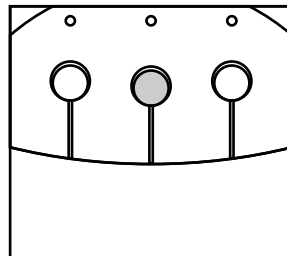


Figure 7

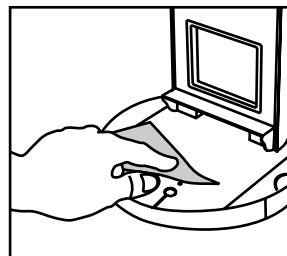


Figure 8

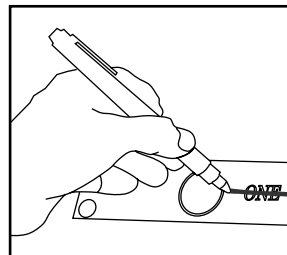


Figure 9

## 5. Specifications

Weight:	1.2 kg (2.6 lb)
Dimensions:	220mm x 220mm x 350mm (9" x 9" x 14")
Monitor:	4" B&W
Camera:	IR (infrared)
Currency Accepted:	Any currency
Power Consumption:	7 Watts
Power Supply:	100-240V - 50/60Hz AC/DC adapter