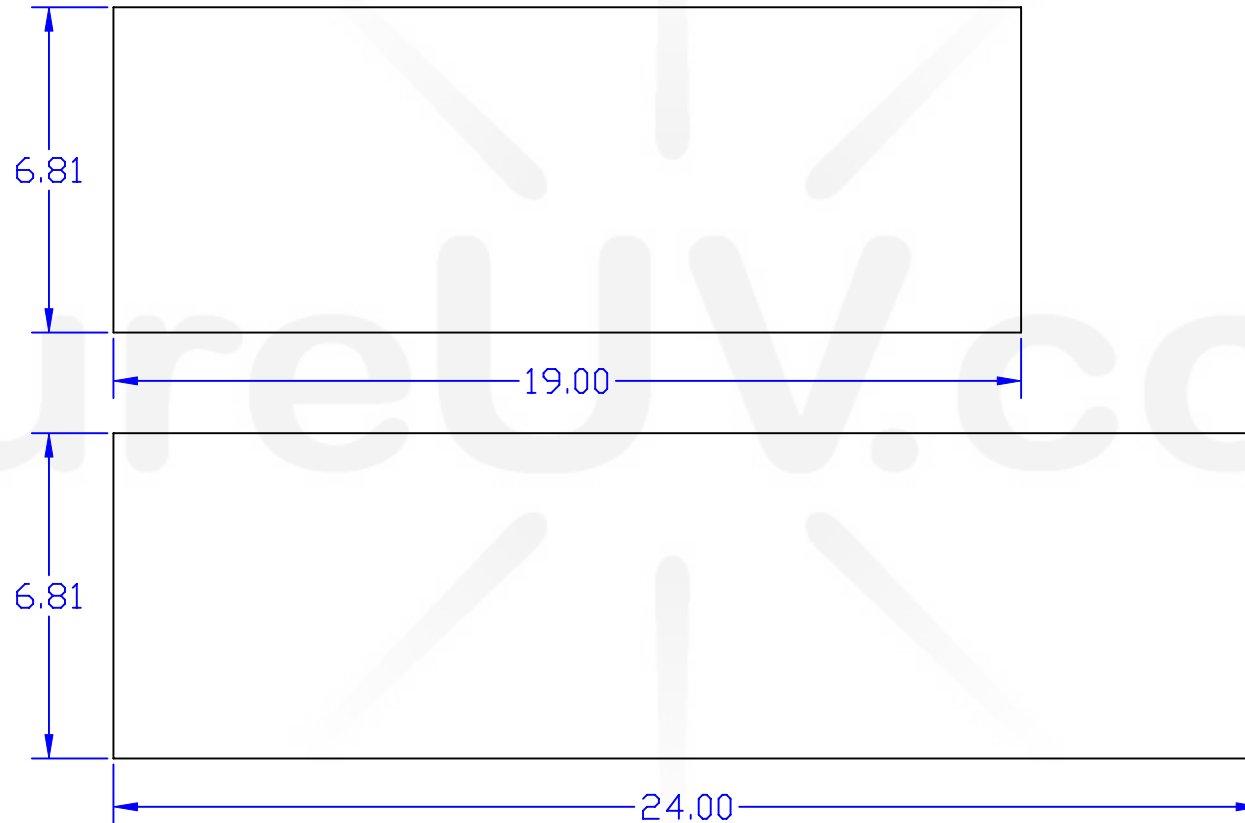


**REPRESENTATION OF FINISHED PRODUCTS
NOT TO SCALE**



**SET CONSISTS OF 1 OF EACH PIECE
ALL DIMENSIONS SHOWN IN FLAT
MATERIAL THICKNESS 0.020"**