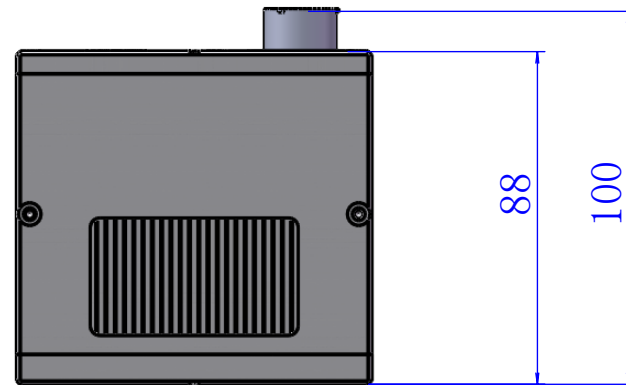
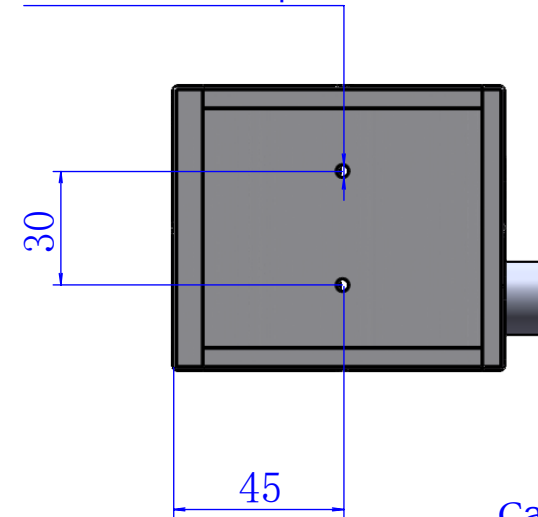


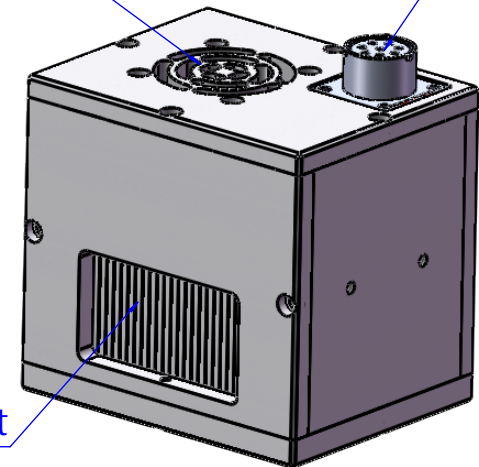
Installation hole position 2-2xM4



Cable Connector

Cooling fan

Air outlet



### Tolerances

GB/T 1804-m	
0.5~6	± 0.1
6~30	± 0.2
30~120	± 0.3
120~400	± 0.5
400~1000	± 0.8
1000~2000	± 1.2
2000~4000	± 2

511048

Unit

mm

Proportion

1:2



50x50mm UV LED Array with Air Cooling