

Technical Data Sheets

SKU: 194016

(A) Total Length: 874 mm

(B) Arc Length: 803 mm

(C) Lamp Quartz Diameter : 15 mm

Operating Current: 800 mA

Lamp Voltage: 100

Lamp Wattage: 80

Peak UV Output: 253.7nm

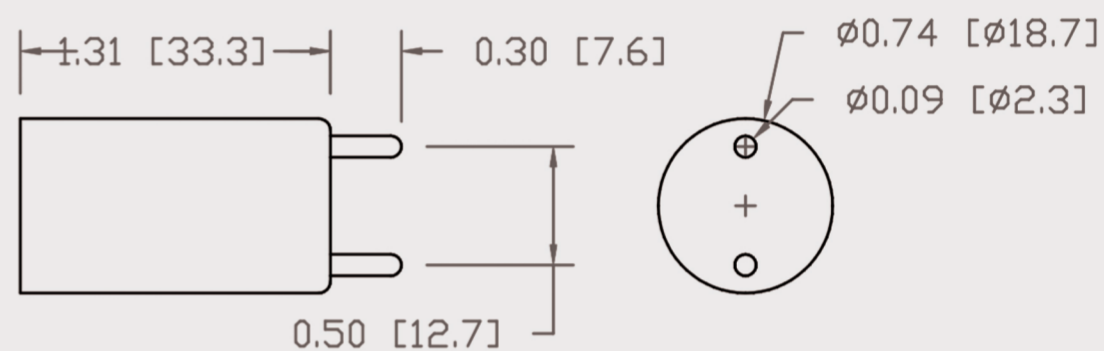
Glass Type: Non Ozone

Output UVC Watts: 28

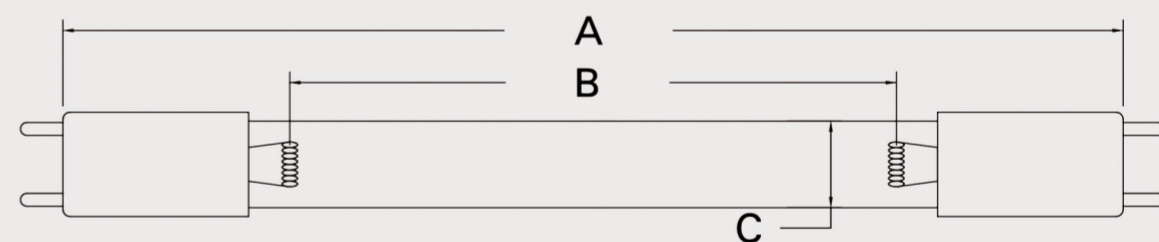
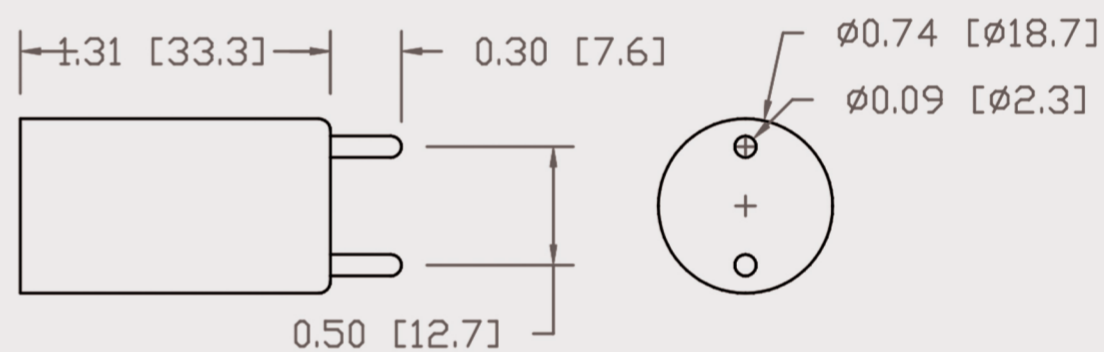
Output $\mu\text{W}/\text{cm}^2$ @ 1m: 265

Rated Life (hrs): 10,000

Style: Medium Bi-Pin



Style: Medium Bi-Pin



Lot Number: _____

Ignition and Seal Certification: _____

Test Operator: _____ Date: _____