

Technical Data Sheets

SKU: 194010

(A) Total Length: 410 mm

(B) Arc Length: 330 mm

(C) Lamp Quartz Diameter : 15 mm

Operating Current:

Lamp Voltage:

Lamp Wattage: 42 W

Peak UV Output: 253.7nm

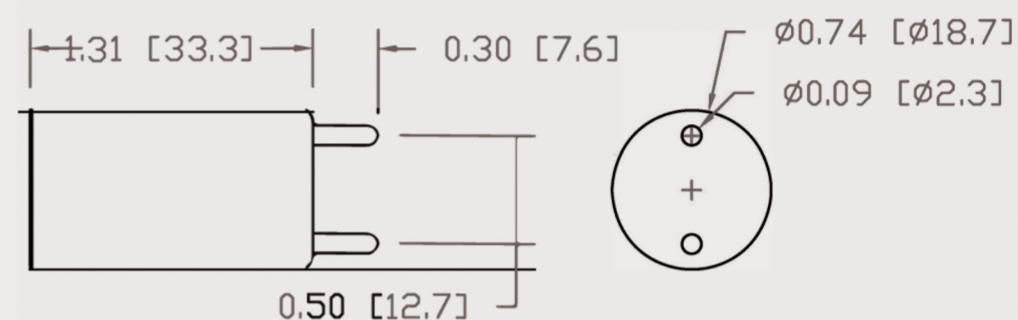
Glass Type: Non Ozone

Output UVC Watts: 42

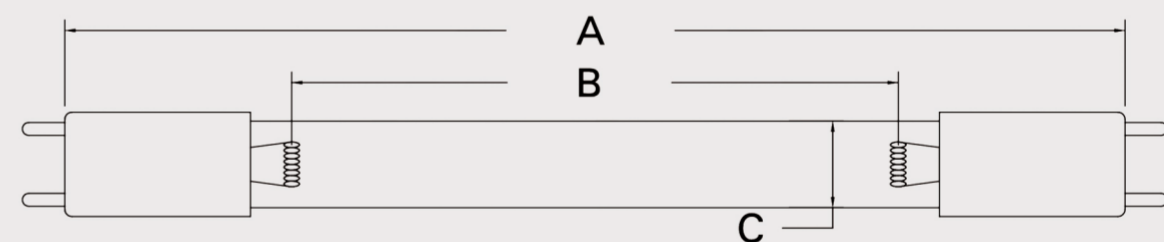
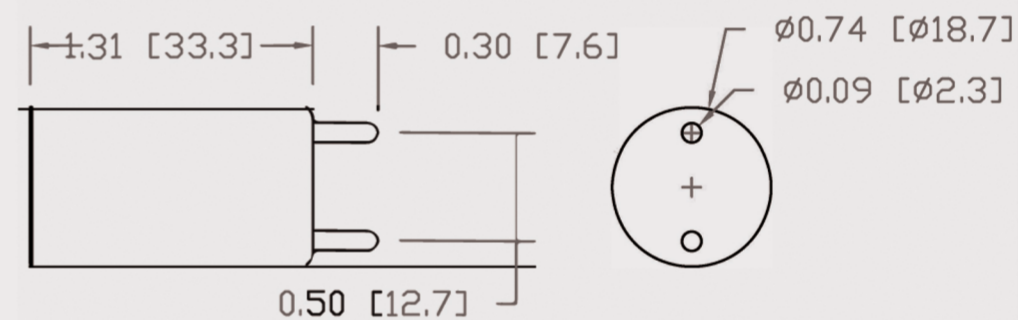
Output $\mu\text{W}/\text{cm}^2$ @ 1m:

Rated Life (hrs): 10,000

Style: Medium Bi-Pin



Style: Medium Bi-Pin



Lot Number: _____

Ignition and Seal Certification: _____

Test Operator: _____ Date: _____