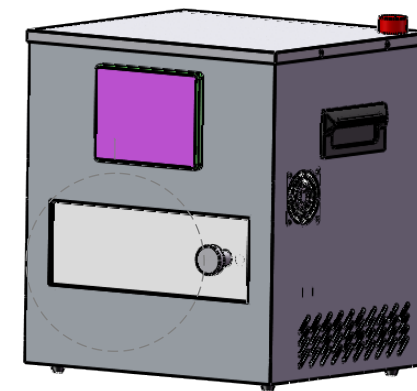
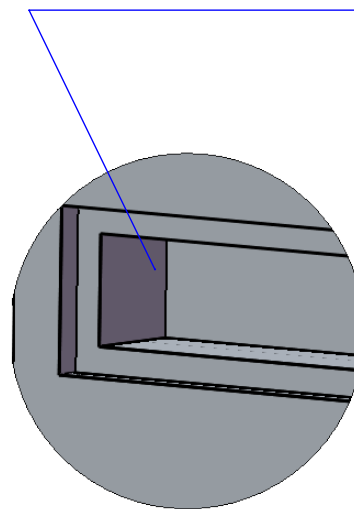
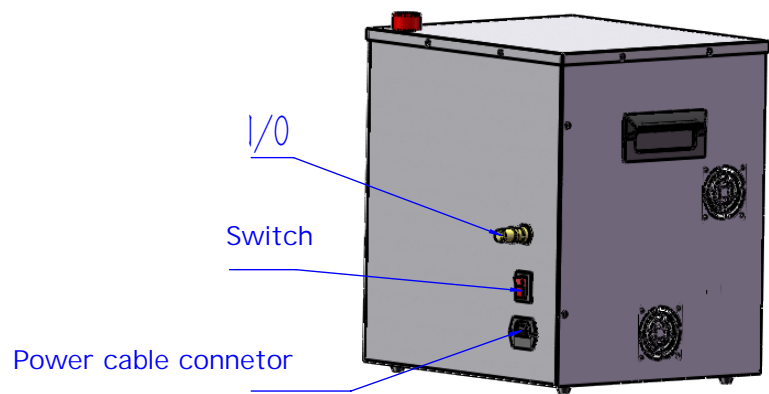


Inside dimensions: 230x60x60mm E  
mitting window: 200x20mm



| Tolerances  |       | Specifications |        | Unit                                      | mm  |  |  |
|-------------|-------|----------------|--------|-------------------------------------------|-----|--|--|
| GB/T 1804-m |       |                |        | Scale                                     | 1:8 |  |  |
| 0.5~6       | ± 0.1 | SKU            | 510231 |                                           |     |  |  |
| 6~30        | ± 0.2 |                |        |                                           |     |  |  |
| 30~120      | ± 0.3 |                |        |                                           |     |  |  |
| 120~400     | ± 0.5 |                |        |                                           |     |  |  |
| 400~1000    | ± 0.8 |                |        |                                           |     |  |  |
| 1000~2000   | ± 1.2 |                |        |                                           |     |  |  |
| 2000~4000   | ± 2   |                |        |                                           |     |  |  |
|             |       |                |        | High-Powered LED UV Curing Chamber System |     |  |  |