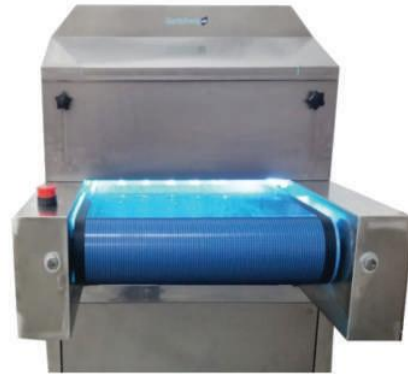




CHEMICAL FREE ULTRAVIOLET DISINFECTION

GermAwayUV Sanitation Conveyor System



EPA Est No. 94850-FL-1

The ideal solution for disinfecting high quantities of small items rapidly

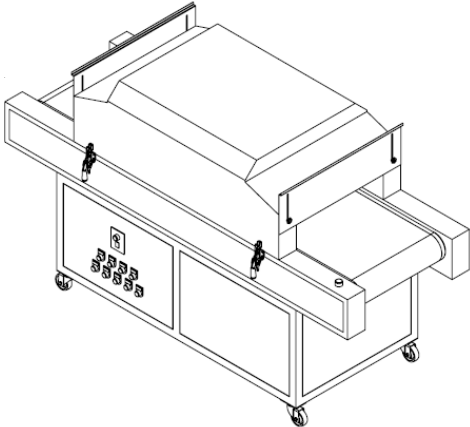
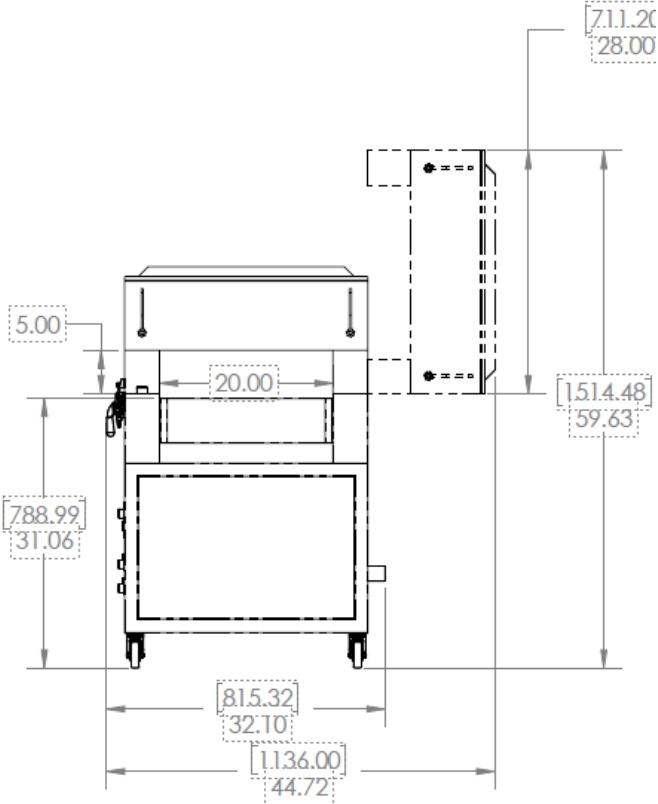
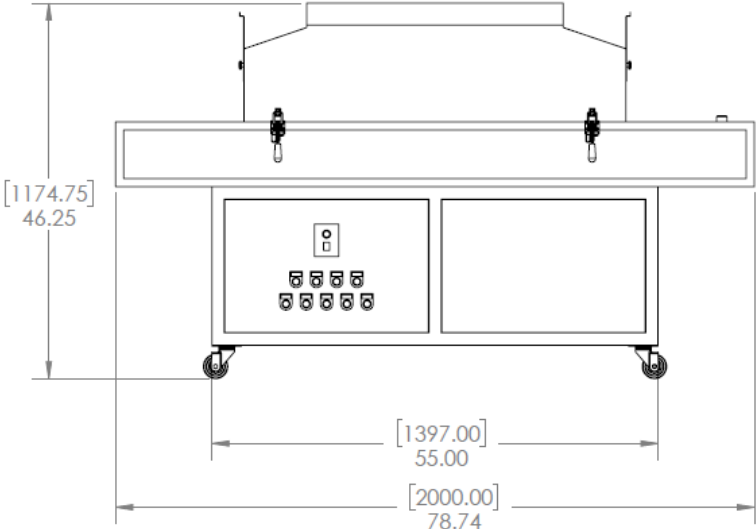
TECHNICAL SPECIFICATIONS


KEY FEATURES

- 253.7nm UV light clinically proven to eliminate pathogens, germs and viruses.
- Variable belt speed
- Run multiple types of items through conveyor with ease.
- Long bulb life and easy bulb replacement.

INFO	
CONVEYOR SPEED:	0-16 FEET PER MINUTE
GERMICIDAL OVEN ENTRY/EXIT HEIGHT:	ADJUSTABLE UP TO 6"
UV BULB RATED LIFE:	10,000 HOURS
UV-C POWER:	320WATTS
CONVEYOR WIDTH:	20"
VOLTAGE:	120V (220V UNITS AVAILABLE AS WELL)
UV BULBS USED:	16
UV GERMICIDAL AREA:	40" X 16"

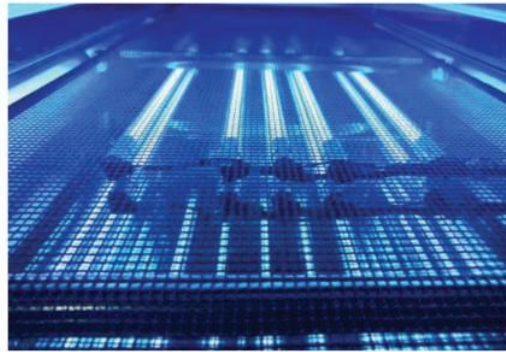
Conveyor Drawings



		PROPRIETARY AND CONFIDENTIAL THE INFORMATION CONTAINED IN THIS DRAWING IS THE SOLE PROPERTY OF SPDIUV. ANY REPRODUCTION IN PART OR AS A WHOLE WITHOUT THE WRITTEN PERMISSION OF SPDIUV IS PROHIBITED.	
DRAWN: Millin CHECKED: J. Wilson APPR: J. Wilson	NAME: Millin DATE: 3/25/2021	UNLESS OTHERWISE SPECIFIED, DIMENSIONS ARE IN INCHES.	FINISH:
MATERIAL:	ANGLE:	TOL:	DO NOT SCALE DRAWING
DESCRIPTION: UV-C Sanitation 20 Inch Conveyor System		PART NO.: 301153-20	SIZE: B SCALE: 1:16 SHEET 1 OF 1

DOSAGE AT VARYING CONVEYOR SPEEDS

Speed	Dosage from Above	Dosage from Below
1	557 mJ/cm ²	247 mJ/cm ²
2	403 mJ/cm ²	196 mJ/cm ²
3	312 mJ/cm ²	173 mJ/cm ²
4	269 mJ/cm ²	116 mJ/cm ²
5	243 mJ/cm ²	127 mJ/cm ²
6	204 mJ/cm ²	101 mJ/cm ²
7	185 mJ/cm ²	100 mJ/cm ²
8	167 mJ/cm ²	78 mJ/cm ²
9	155 mJ/cm ²	65 mJ/cm ²
10	140 mJ/cm ²	57 mJ/cm ²



ADDITIONAL INFORMATION

For more information of any of our products or services please visit us on the Web at:

www.cureuv.com

This document is copyright @ August 13, 2020 CureUV. All rights reserved. This document is provided for information purposes only. Contents are subject to change without notice. It is not warranties to be error-free. Nor subject to any other warranties or conditions including implied warranties and conditions of merchantability or fitness for a particular purpose.

cureuv.com

YOUR UV LIGHT EXPERTS

Phone: (800) 977-7292

Address: 2855 S. Congress Ave. Ste. C, Delray Beach, FL, 33445

Web store: www.cureUV.com