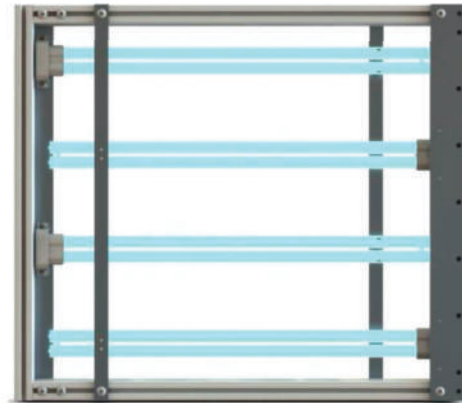




CHEMICAL FREE ULTRAVIOLET DISINFECTION

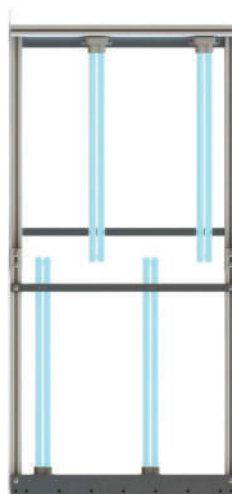
GermAwayUV Commercial HVAC 220 Watt UV Sanitizer



EPA Registration No. 94850-DV-9
EPA Est No. 94850-FL-1

The most powerful UV sanitation unit commercially available.
Specifically designed for units 10 tons and larger.
The expandable frame allows you to sanitize all of the air that goes
through the system no matter how large or small your vents.

FEATURES:



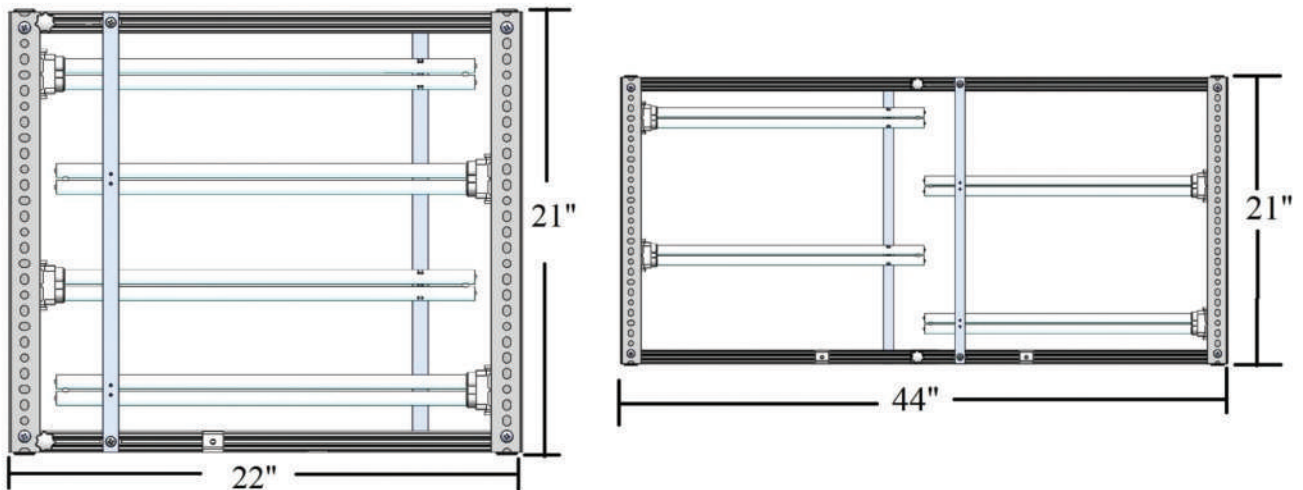
- 220 watts of UV-C 254nm germicidal irradiation.
- Expandable from 24" to 44".
- LCD display with live system information.
- Adaptable for 460V, 240V, or 120V.

How to Install

1. To begin installation, find a suitable location to place the unit. We at CureUV recommend installation on the coil side within the air handler this keeps your AC's coils clean and extends their usable lifespan.

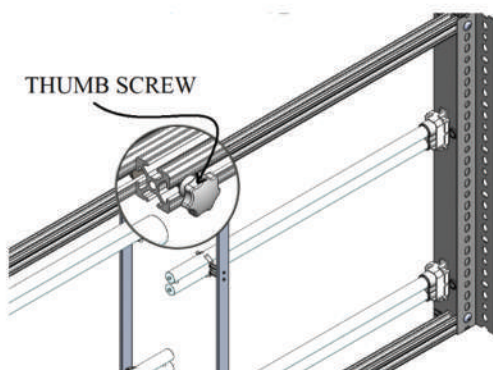
Some units, however, will not have sufficient space for this type of installation for these, installation on the output side of the handler is recommended.

2. The HVAC UV Sanitizer has a vertical length of 21" and is adjustable from 22" to 44" on the horizontal side. The ideal location for this unit is one that places it directly in front of where the air movement takes place, while using as much of the expandable horizontal size as possible. Determine that location, then adjust the width on the horizontal side so that it reaches its best fit.

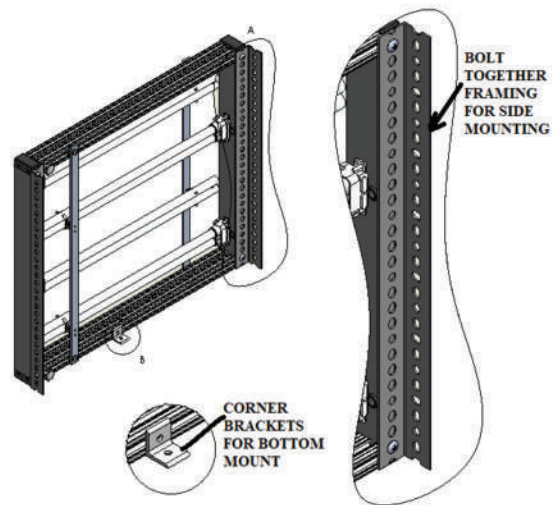


3. To adjust the width on the horizontal side:

- a. Loosen the 2 Phillips screws on the backside using a P2 screwdriver,
- b. Loosen the 2 thumbscrews on the front side using your hands,
- c. Pull the unit open to the desired size,
- d. Tighten the 2 Phillips screws on the backside using a P2 screwdriver,
- e. Tighten the 2 thumbscrews on the front side using your hands,



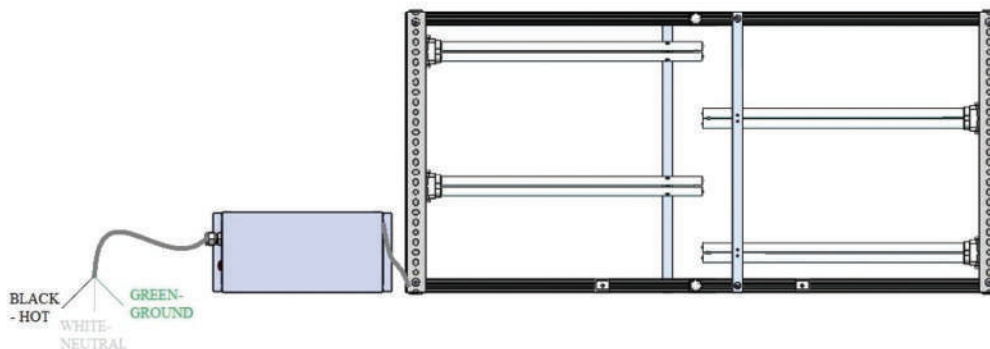
4. Once the width has been adjusted, prepare to mount the unit utilizing the included self-drilling sheet metal screws. Put these through the L – Bracket and onto the sheet metal of the air handler housing. The unit can be mounted on any of the 4 sides. We recommend mounting on at least 2 sides.



5. Before releasing the unit, make sure that it is properly secured. Once secure, determine the voltage which the system will connect to:

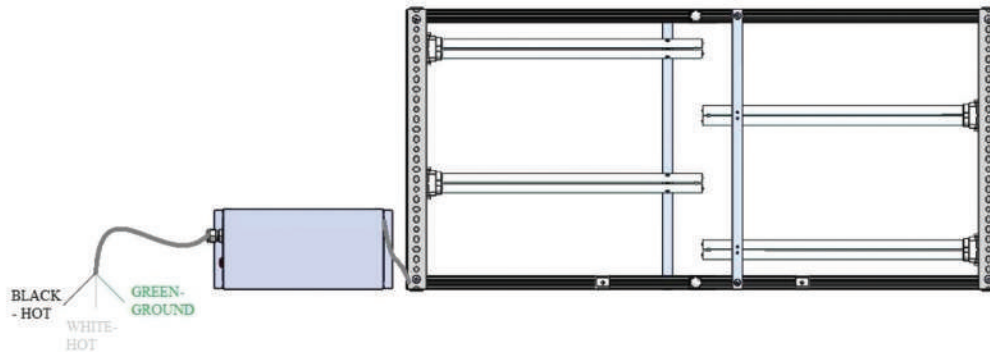
- a. 120V— Connect black wire to hot, white wire to neutral, and green wire to ground.

GermAway UV 220W HVAC Systems 120V Hook UP



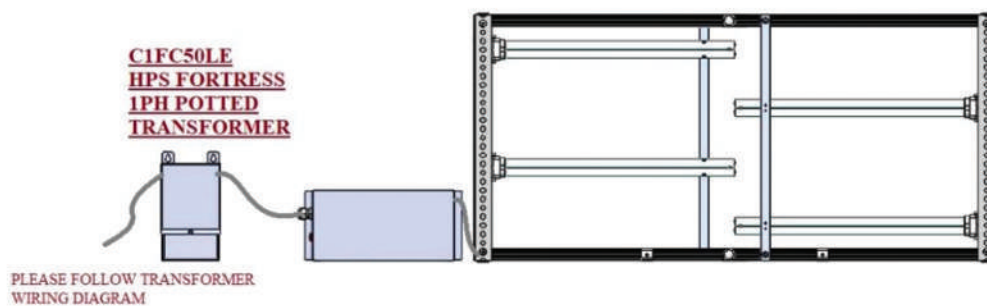
b. 220V-277V— Connect black wire to hot, white wire to hot, and green wire to ground.

GermAway UV 220W HVAC Systems 120V Hook UP



c. 440V-480V (optional)— Connect the transformer provided following the wiring diagram on the transformer.

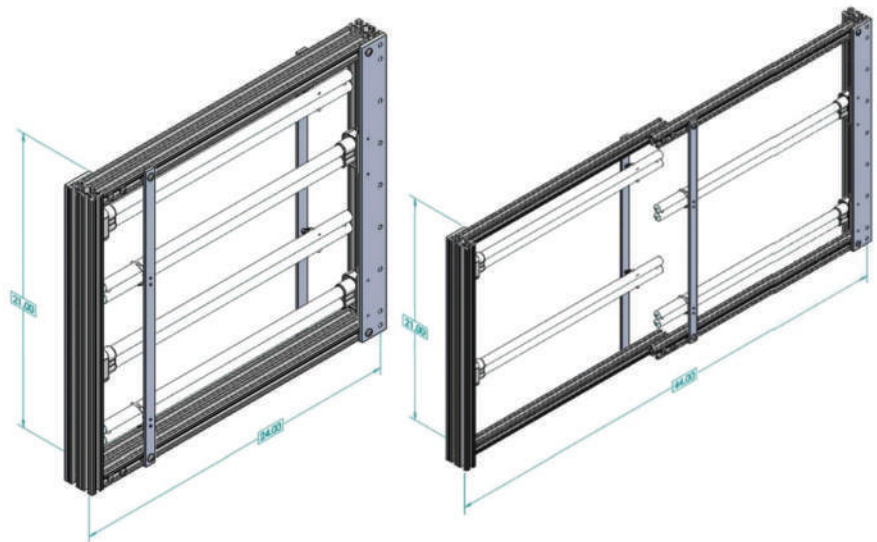
GermAway UV 220W HVAC Systems 440V - 480V Hook UP



TECHNICAL SPECIFICATIONS

INFO	
PEAK UV WAVELENGTH	253.7NM
UV-C WATTAGE:	220WATTAS
REPLACEMENT UV-C BULB:	55 WATTS PHILLIPS BULBS
UV BULB LIFE:	10.000 HOURS
LAMP LENGHT:	22"(4)
WEIGHT:	28LBS
DIMENSIONS:	21.00"X 24.00" EXPANDED: 21.00"X 44.00"
REPLACEMENT BULB SKU:	191210

SCHEMATIC



RELATED PRODUCT

Our services offer enterprises the ability to have clean and safe environment to maintain a healthy work place.

ADDITIONAL INFORMATION

For more information of any of our products or services please visit us on the Web at:

Cureuv.com/

This document is copyright @ August 13, 2020 CureUV. All rights reserved. This document is provided for information purposes only. Contents are subject to change without notice. It is not warranties to be error-free. Nor subject to any other warranties or conditions including implied warranties and conditions of merchantability or fitness for a particular purpose.

cureuv.com

YOUR UV LIGHT EXPERTS

Phone: (800) 977-7292

Address: 2855 S. Congress Ave. Ste. C, Delray Beach, FL, 33445

Web store: www.cureUV.com