

(A) Total Length: 1026 mm

(B) Arc Length: 955 mm

(C) Lamp Quartz Diameter : 15 mm

Operating Current: 800 mA

Lamp Voltage: 145 V

Lamp Wattage: 115 W

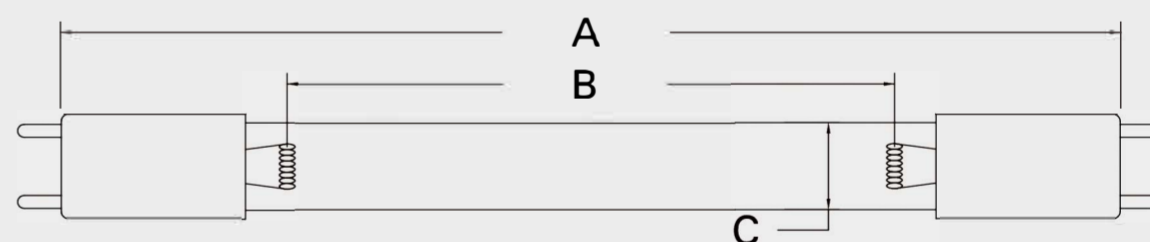
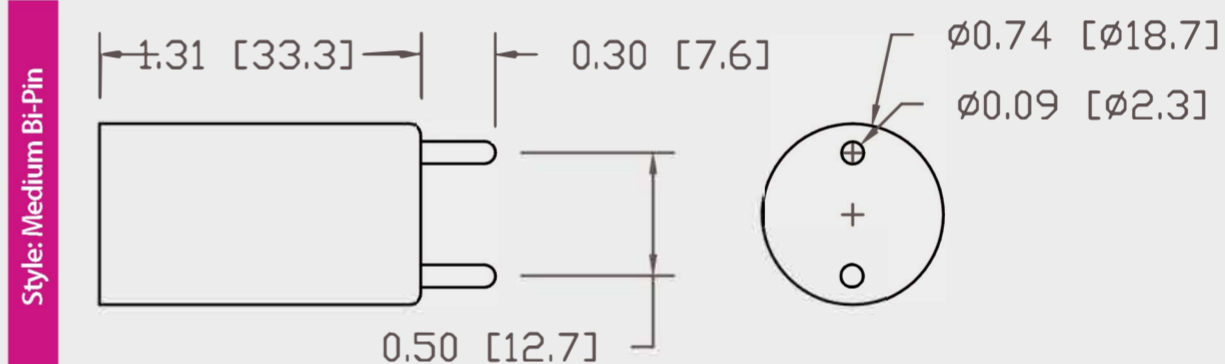
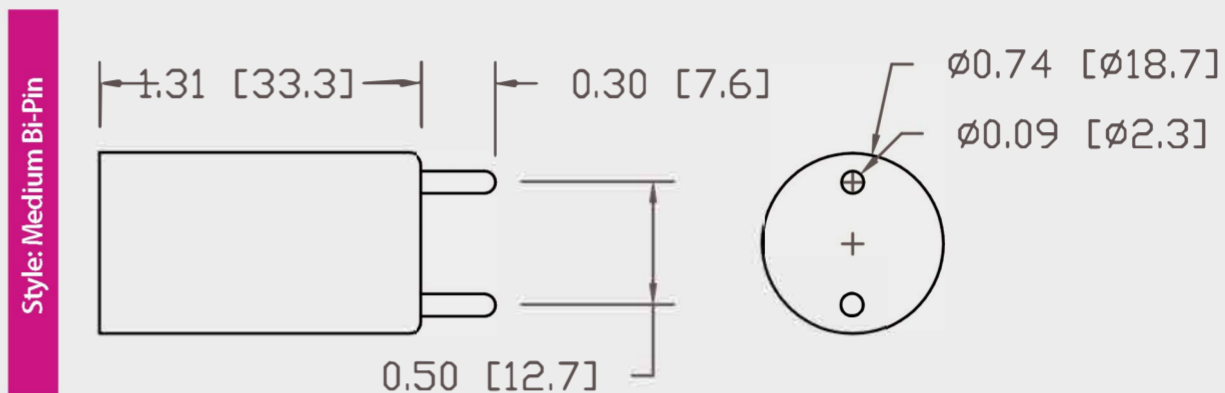
Peak UV Output: 254 nm

Glass Type: Non Ozone

Output UVC Watts: 34

Output $\mu\text{W}/\text{cm}^2$ @ 1m: 300

Rated Life (hrs): 10,000



Lot Number: _____

Ignition and Seal Certification: _____

Test Operator: _____ Date: _____