

# Technical Data Sheet

## CUREUV Part No: 191900



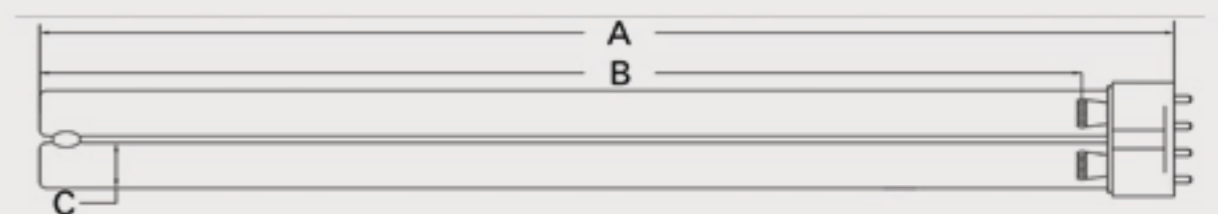
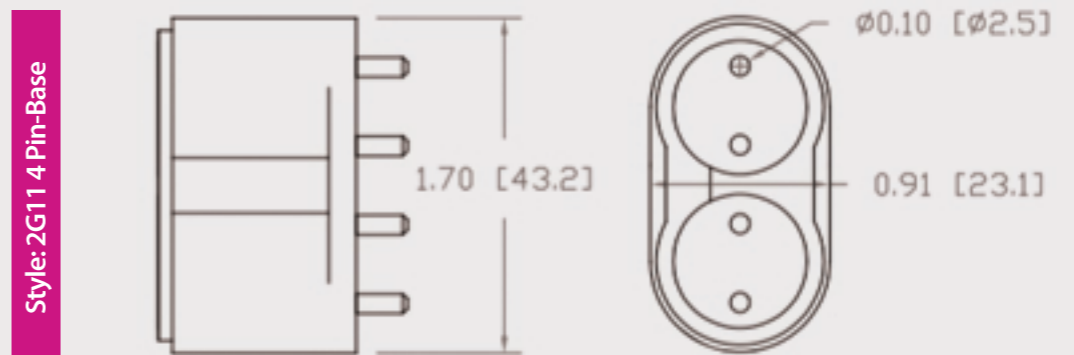
Lamp Type: TUV-PL-L55W

(A) Total Length:	535mm
(B) Arc Length:	490 mm
(C) Lamp Quartz Diameter :	17mm Twin Tube

Operating Current:	540mA
Lamp Voltage:	103
Lamp Wattage:	55

Peak UV Output:	253.7nm
Glass Type:	Non Ozone

Output UVC Watts:	17
Output uW/cm <sup>2</sup> @ 1m:	
Rated Life (hrs):	10,000



Lot Number: \_\_\_\_\_

Ignition and Seal Certification: \_\_\_\_\_

Test Operator: \_\_\_\_\_ Date: \_\_\_\_\_