

# Technical Data Sheet

## CUREUV Part No: 191611



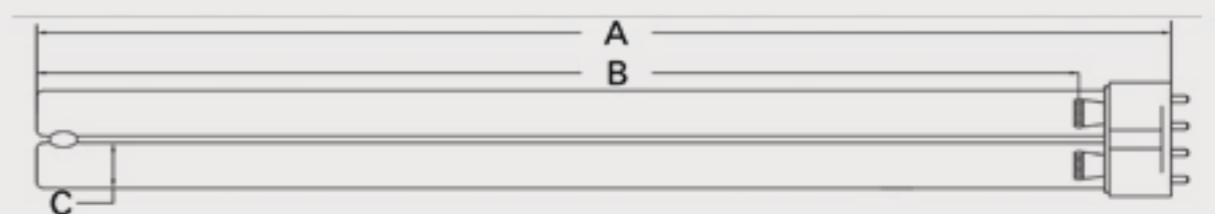
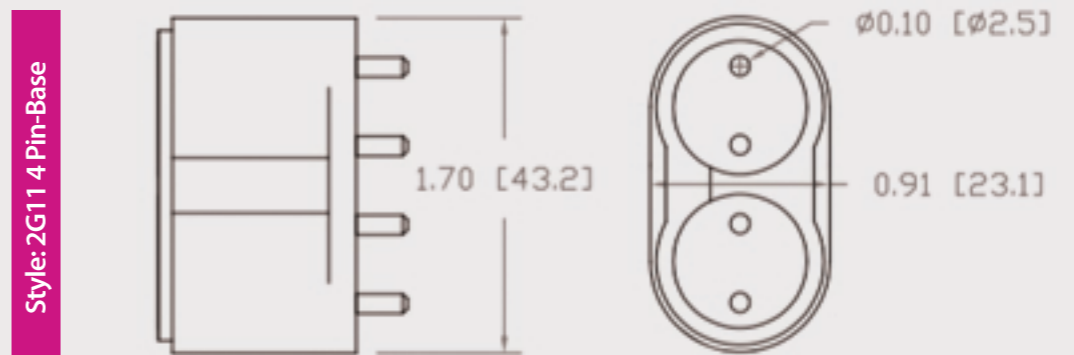
Lamp Type: TUV-PL-L55W

|                            |                |
|----------------------------|----------------|
| (A) Total Length:          | 535mm          |
| (B) Arc Length:            | 490 mm         |
| (C) Lamp Quartz Diameter : | 17mm Twin Tube |

|                    |       |
|--------------------|-------|
| Operating Current: | 540mA |
| Lamp Voltage:      | 103   |
| Lamp Wattage:      | 55    |

|                 |           |
|-----------------|-----------|
| Peak UV Output: | 253.7nm   |
| Glass Type:     | Non Ozone |

|                                 |        |
|---------------------------------|--------|
| Output UVC Watts:               | 17     |
| Output uW/cm <sup>2</sup> @ 1m: |        |
| Rated Life (hrs):               | 10,000 |



Lot Number: \_\_\_\_\_

Ignition and Seal Certification: \_\_\_\_\_

Test Operator: \_\_\_\_\_ Date: \_\_\_\_\_