

SE02M1WB /  Weight Capacity
10 kgs / 22 lbs

Economic Height Adjustable Standing Desk



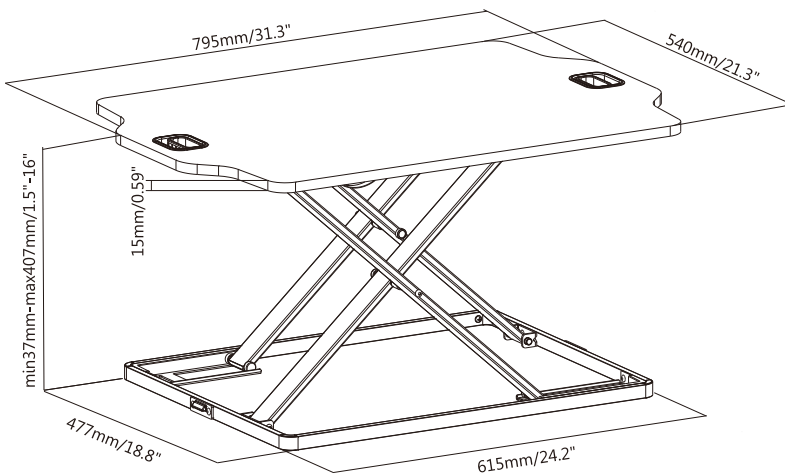
Simple **but Reliable**

The construction of most workstations are designed to be strong. These bulky products hamper the style of modern interior designs. SE02M1WB reverse the common feature of current sit-stand workstations. Our idea of making sit-stand workstations highlights simplicity while maintaining reliability. Simply lift or lower the desktop to your desired height. You will gain more activity, health and productivity.



SE02M1WB /  Weight Capacity
10 kgs / 22 lbs

Economic Height Adjustable Standing Desk



SPECIFICATIONS

Material: Steel, Plastic, Wood

Desktop Thickness: 15mm (0.6")

Product Size: 795X540X37-407mm (31.3" x 21.2" x 1.5"-16.0")

Desktop Size: 795X540mm (31.3" x 21.2")

Height Adjustable Range: 370mm (14.6")

*Dimensions Key: (Width)x(Depth)x(Height)

