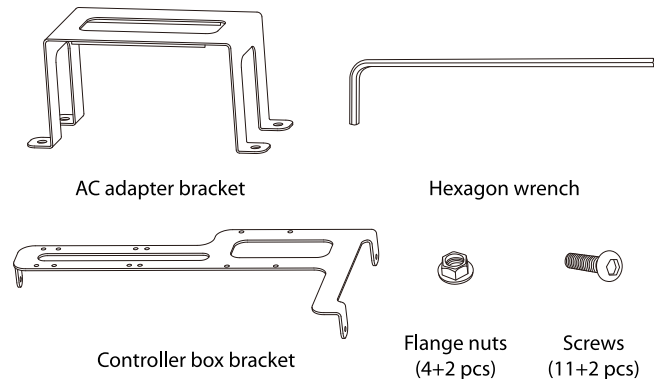


# LS 1 Studio Accessories Installation

English

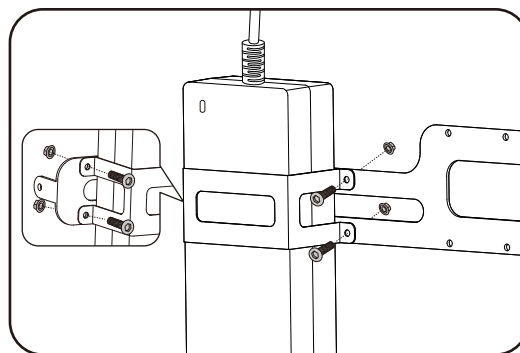
## Item check list



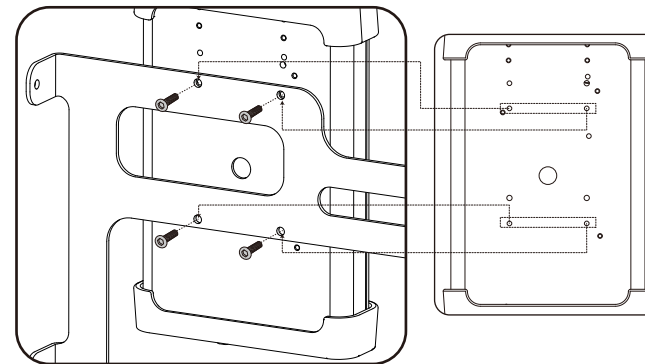
## Installation

Please use the equipped hexagon wrench to install the accessories according to the following steps.

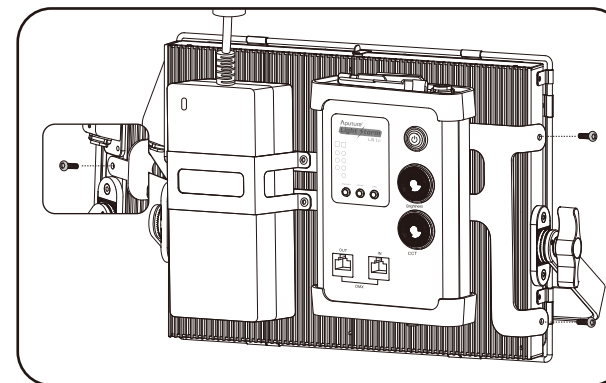
1) AC adapter installation (Screw 4pcs and Flange nuts 4pcs)



2) Controller box installation (Screw 4pcs)



3) Controller box bracket installation (Screw 3pcs)



*\*The controller box for studio version is not equipped with the battery mount plate, it can be directly installed on the controller box bracket. Please refer to LS 1 product manual for the rest of the installation and use of the method.*