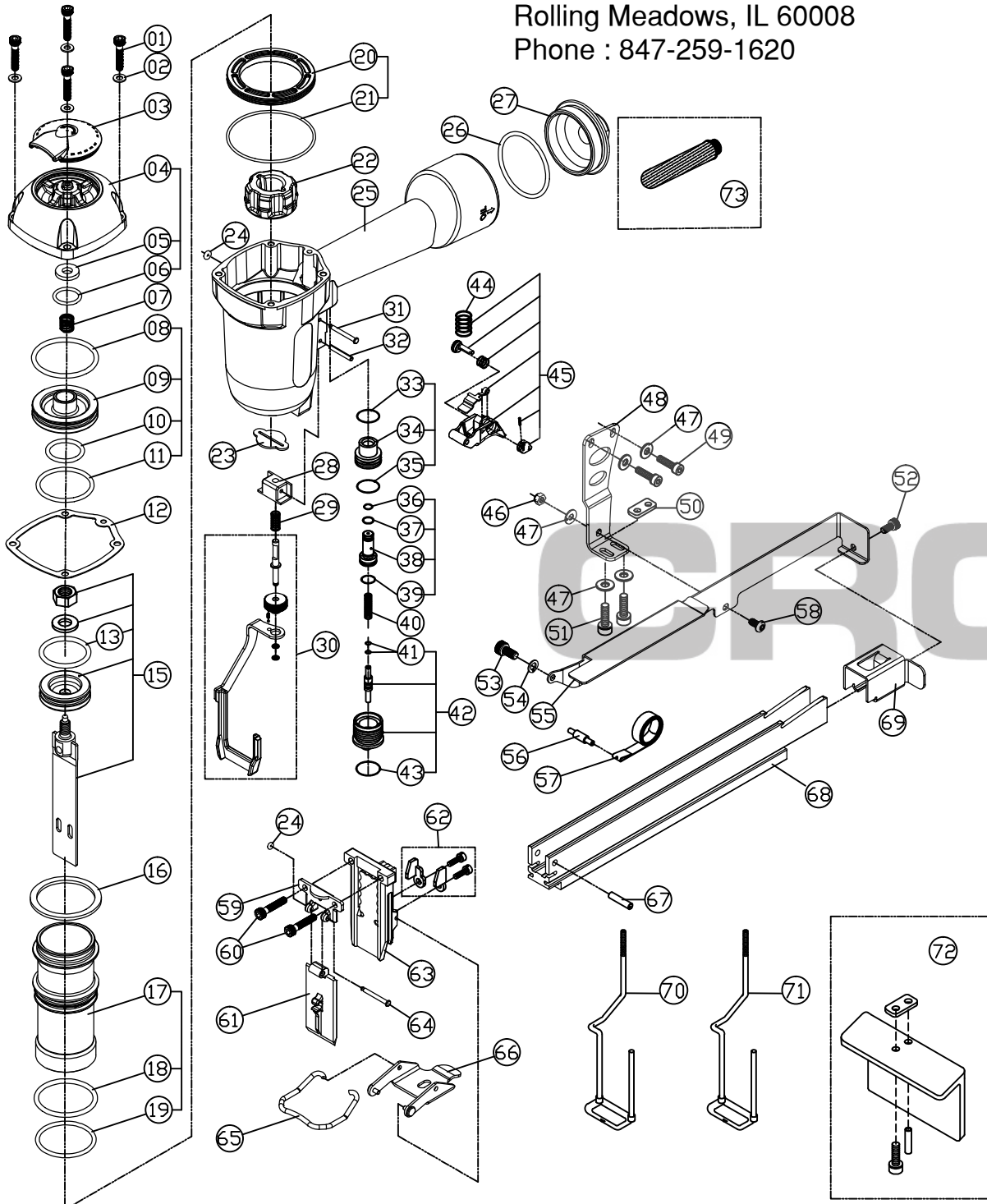


MODEL X1S1640

SPOTNAILS®
 DIVISION OF PEACE INDUSTRIES, LTD.
 1100 Hicks Rd
 Rolling Meadows, IL 60008
 Phone : 847-259-1620



4/14/2016

SPOTNAILS MODEL X1S1640

Ref No.	Part No.	Description	Ref No.	Part No.	Description
01	P-24300	Cap Screw-4	38	P-22145	Pilot Valve
02	P-32211	Flat Washer-4	♦	39	P-64336 O-Ring
03	P-70058	Exhaust Deflector	40	P-18227	Spring
04	P-60221	Cap	♦	41	P-64383 Plunger O-Rings-2
♦	05	P-15187 Exhaust Seal	42	AS-22037	Plunger Assembly
♦	06	P-64378 O-Ring	♦	43	P-64328 O-Ring
07	P-18327	Poppet Spring	44	P-18267	Spring
♦	08	P-64601 Poppet O-Ring	45	AS-21031	Trigger Assembly (Blue)
09	P-63055	Poppet	46	P-26126	Nut
♦	10	P-64379 Piston Stop o-Ring	47	P-32170	Washer-5
♦	11	P-64602 Cylinder Seal O-Ring	48	P-13128	Bracket
♦	12	P-62094 Gasket	49	P-24301	Screw-2
♦	13	P-64617 Piston O-Ring	50	P-26159	Nut Plate
15	AS-06110	Piston & Driver Assembly	51	P-24308	Screw-2
16	P-03125	Guide Spacer	52	P-24430	Screw
17	P-05131	Cylinder	53	P-24317	Screw
♦	18	P-64603 Cylinder O-Ring	54	P-32229	Washer
♦	19	P-64604 O-Ring	55	P-12417	Magazine Cover
♦	20	P-03126 Cylinder Guide	56	P-07335	Negator Spring Pin
♦	21	P-64605 O-Ring	57	P-18334	Negator Spring
22	P-15278	Bumper	58	P-24434	Screw
23	P-15198	Return Seal	59	P-10285	Stationary Front Plate
♦	24	P-64240 O-Ring-2	60	P-24358	Screw-2
25	P-01308	Body	61	P-10287	Removable Front Plate
26	P-64312	O-Ring	62	AS-99088	Wear Plate Filler
27	P-60156	End Cap	63	P-08517	Wear Plate
28	P-53165	Safety Guide	64	P-07357	Pin
29	P-18328	Spring	65	P-18333	Latch Spring
30	AS-53087	Safety Assembly	66	P-04062	Quick Clear Latch
31	P-07327	Trigger Pin	67	P-07334	Pin
32	P-07262	Pin	68	P-12410	Magazine
♦	33	P-64332 Valve Housing O-Ring	69	P-09211	Pusher
34	P-22144	Trigger Valve Cap	70	AS-53085	Lathing Safety (Optional)
♦	35	P-64333 O-Ring	71	AS-53086	Roofing Safety (Optional)
♦	36	P-64334 O-Ring	72	AS-97296	Shingle Guide Assy. (Optional)
♦	37	P-64335 O-Ring	73	P-97454	Filter (Optional)

♦ Parts Included In AS- 97403 O-Ring And Seal Kit